

H&S

ROUND BALE TRANSPORTS

BT8

EIGHT BALE CAPACITY



BT814

EIGHT BALE CAPACITY



BT6

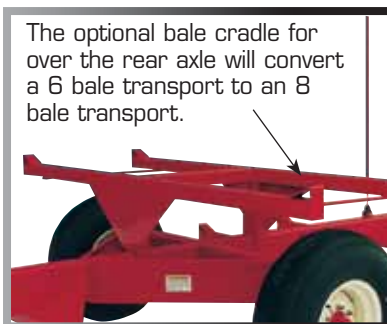
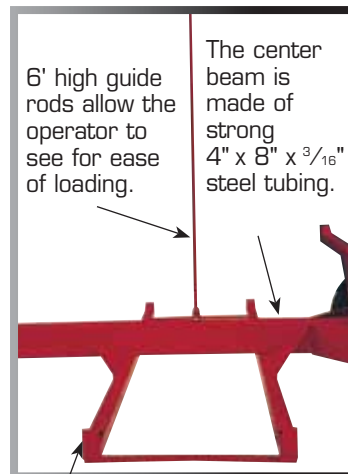
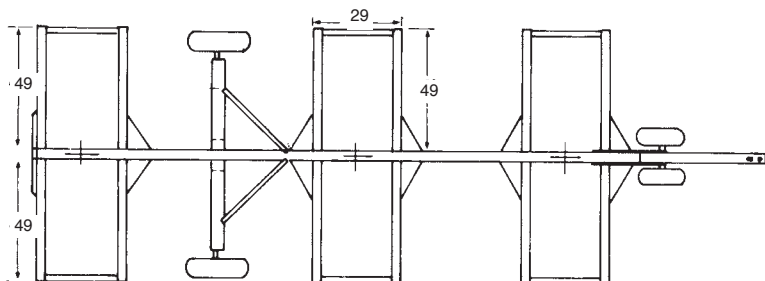
SIX BALE CAPACITY



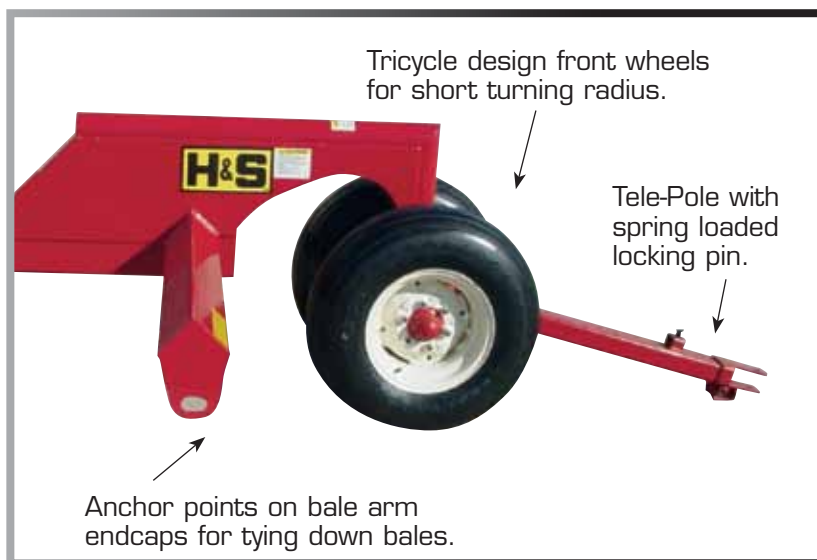
SPECIFICATIONS

BT6 & BT8

OVERALL LENGTH (INCLUDING 6' TONGUE) 29'3"
 OVERALL WIDTH 102"
 BALE CRADLE WIDTH - 29", LENGTH - 49"
 WEIGHT W/TIRES - BT6 1570#
 TIRES REAR - 12.5 X 15, FRONT - 9.5 X 15



Bale cradle arms are 3/16" square tubing, reinforced with gussets, and tied together with a flat metal strap to keep them from spreading.



BT814

OVERALL LENGTH 28'10"
 OVERALL WIDTH 102"
 BALE CRADLE WIDTH - 41 1/2", LENGTH - 49"
 WEIGHT W/TIRES 2080#
 TIRES REAR - 12.5 X 15, FRONT - 11 X 15
 FRAME-MAIN BEAM 10" X 4" X 5/16" WALL
 BALE ARMS 5" X 5" X 3/16" WALL
 G.V.W. CAPACITY 14,000#

Warranty: See operators manual for warranty details and limitations. H&S reserves the right to change its products or the description at any time without notice or obligation.



Manufactured in U.S.A.



NEED A QR CODE READER?
 DOWNLOAD THE FREE APP
 TO YOUR SMARTPHONE!

Buy the BEST

BUY **H&S**

Models and specifications are to change without prior notice. 1/17 2M

H & S MANUFACTURING CO. INC.

2608 S. Hume Avenue
 P.O. Box 768 • Telephone (715) 387-3414
 FAX (715) 384-5463 • Website www.hsmfgco.com
MARSHFIELD, WI 54449



H&S WAREHOUSE 10145 Lakeshore Road
 P.O. Box 1260 • Telephone (716) 736-7595
 FAX (716) 736-7596 • Website www.hsmfgco.com
RIPLEY, NY 14775