

H&S PARTS BOOK

S3137 SPREADER



Revision #00
Starting Ser. #616625

Part #72562
HSMFG1215

P.O. BOX 768, MARSHFIELD, WI 54449
(715) 387-3414 FAX (715) 384-5463
www.hsmfgco.com

CONTENTS

| | |
|---|-------|
| Instructions for Ordering Parts - About Improvements | 1 |
| Figure 1 - Beater and Pan Assembly | 2-3 |
| Figure 2 - Hub, Spindle and Box Parts | 4-5 |
| Figure 3 - Front Shield and Drive Assembly | 6-9 |
| Figure 4 - Back Shield and Drive Assembly | 10-13 |
| Figure 5 - Hydraulic Endgate | 14-15 |
| Figure 6 - Apron Chain Assembly | 16-17 |
| Figure 7 - Optional Hydraulic Drive Assembly | 18-19 |
| Figure 8 - Worm Gearbox Assembly | 20-21 |
| Figure 9 - Bevel Gearbox | 22-23 |
| Figure 10 - Hydraulic Cylinder | 24 |
| Figure 11 - PTO | 25 |
| Figure 12 - Optional Second Beater | 26-27 |
| Figure 13 - Optional Electric Control for Hydraulic Drive | 28-29 |
| Parts Notes | 30 |

INSTRUCTIONS FOR ORDERING PARTS

All service parts should be ordered through your authorized H&S dealer. They will be able to give you faster service if you will provide them with the following

1. Model & Serial number is located in the front center of the Manure Spreader.
2. All reference to left or right apply to the Manure Spreader as viewed from the rear.
3. Parts should not be ordered from illustration only. Please order by complete part number.
4. If your dealer has to order parts - give shipping instructions:

VIA truck - large pieces (please specify local truck lines)

VIA United Parcel Service (include full address)

| | |
|------------------------------|----------------------|
| H&S MFG. CO. INC. | |
| MARSHFIELD, WIS. | |
| MOD. NO. | <input type="text"/> |
| SER. NO. | <input type="text"/> |
| DESCR. | <input type="text"/> |

PLEASE RECORD NUMBERS FOR YOUR UNIT FOR QUICK REFERENCE

ABOUT IMPROVEMENTS

H&S IS CONTINUALLY STRIVING TO IMPROVE IT'S PRODUCTS

We must therefore, reserve the right to make improvements or changes whenever it becomes practical to do so without incurring any obligation to make changes or additions to the equipment previously sold.

FIGURE 1
BEATER & PAN ASSEMBLY

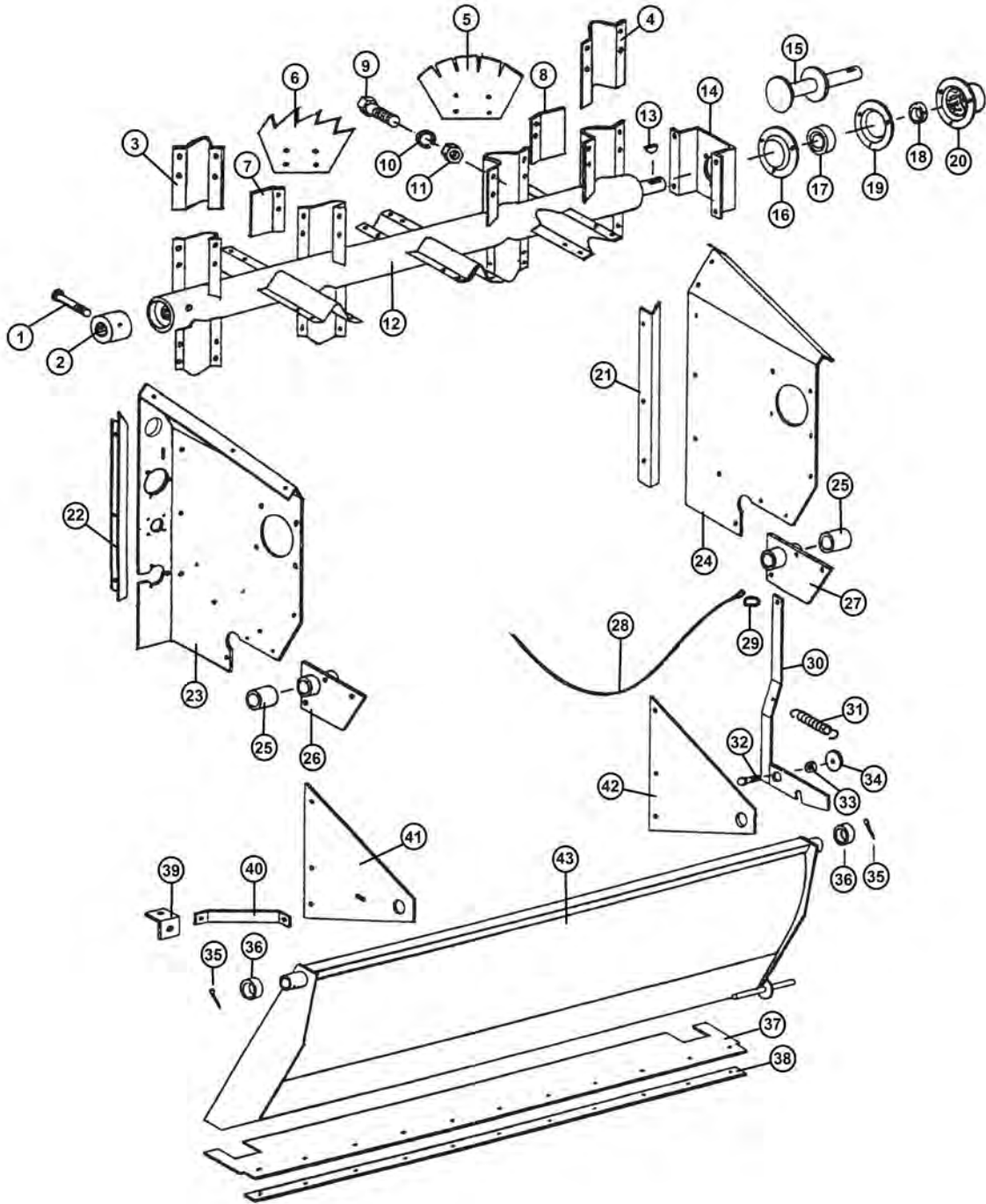


FIGURE 1

BEATER & PAN ASSEMBLY

| <u>ITEM</u> | <u>PART #</u> | <u>DESCRIPTION</u> |
|-------------|---------------|-------------------------------------|
| 1 | YBHH10130 | BOLT, 5/16" X 5" GR. 5 |
| 2 | 23N2 | SPLINED BEATER INSERT |
| 3 | 23N3 | BEATER BLADE HOLDER LH |
| 4 | 23N4 | BEATER BLADE HOLDER RH |
| 5 | 23N276 | BEATER BLADE - HARDENED |
| 6 | 23N277 | BEATER BLADE - HARDENED |
| 7 | 23N7 | BEATER BLADE WIPER LH |
| 8 | 23N8 | BEATER BLADE WIPER RH |
| 9 | YBHH16045 | BOLT, 1/2" X 1-1/4" GR. 5 |
| 10 | YWLO16005 | WASHER, LOCK, 1/2" |
| 11 | YNTL16005 | HEX NUT, TOP LOCK, 1/2"-13 |
| 12 | 23N9 | BEATER |
| 13 | 5B9 | 3/8" X 1-1/4" WOODRUFF KEY |
| 14 | 23N10 | BEATER SHAFT SUPPORT |
| 15 | 23N11 | BEATER STUB SHAFT |
| 16 | F116 | BEARING FLANGE (HEAVY DUTY) |
| 17 | 12N122 | BEARING W/LOCK COLLAR ASSEMBLY |
| 18 | 12N122 | BEARING W/LOCK COLLAR ASSEMBLY |
| 19 | F114A | BEARING FLANGE W/ ZERK 450 |
| 20 | 23N12 | BEARING FLANGE GUARD |
| 21 | 37N1 | RH SIDE POLY HOLD DOWN |
| 22 | 37N2 | LH SIDE POLY HOLD DOWN |
| 23 | 37N50 | LH MAIN PANEL |
| 24 | 37N4 | RH MAIN PANEL |
| 25 | 23N17 | DRIVE SHAFT BUSHING |
| 26 | 37N78 | DRIVE SHAFT BRACKET LH WITH BUSHING |
| 27 | 23N19 | DRIVE SHAFT BRACKET RH WITH BUSHING |
| 28 | 37N5 | PAN TRIP ROPE |
| 29 | R31 | CLIP |
| 30 | 23N21 | PAN TRIP LEVER |
| 31 | R27 | SPRING |
| 32 | YBCR16010 | CARR. BOLT, 1/2" X 1-1/2" GR. 5 |
| 33 | 23N23 | TRIP LEVER SPACER |
| 34 | YWFL16005 | WASHER, FLAT, 1/2" USS |
| 35 | YPCT06020 | COTTER PIN, 3/16" X 2" |
| 36 | F112 | SPACER |
| 37 | 23N24 | PAN RUBBER FLAP |
| 38 | 23N25 | PAN STRAP |
| 39 | 23N26 | PAN BRACE ANGLE |
| 40 | 23N27 | PAN SUPPORT BRACE |
| 41 | 23N28 | LH PAN SUPPORT |
| 42 | 23N29 | RH PAN SUPPORT |
| 43 | 23N30 | PAN |

FIGURE 2

HUB, SPINDLE & BOX PARTS

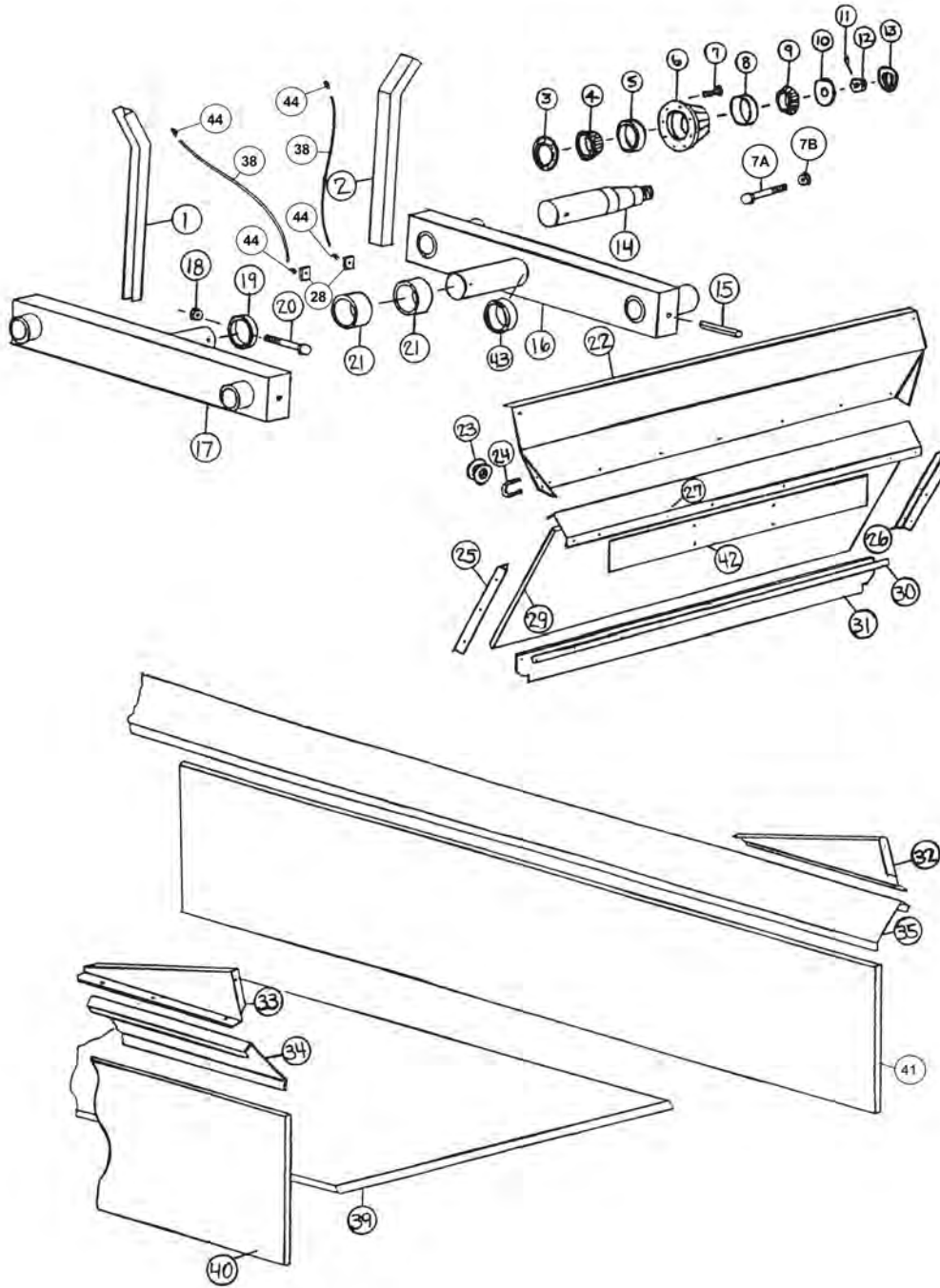


FIGURE 2

HUB, SPINDLE AND BOX PARTS

| <u>ITEM</u> | <u>PART #</u> | <u>DESCRIPTION</u> |
|-------------|---------------|--|
| 1 | 37N6 | ASSY, RH SIDE STAKE |
| 2 | 37N7 | ASSY, LH SIDE STAKE |
| 3 | B90 | GREASE SEAL 260 |
| 4 | B91 | BEARING, INNER |
| 5 | B91A | RACE, INNER 260 |
| 6 | 26G4A | HUB ASSEMBLY |
| 7A | YBSD20005 | STUD BOLT 5/8-18 UNF X 2 1/4 |
| 7B | YNWL20005 | WHEEL NUT, 5/8"-18 UNF |
| 8 | B94A | OUTER RACE |
| 9 | B94 | OUTER BEARING |
| 10 | YWFL28010 | WASHER, FLAT, SAE 7/8 IN |
| 11 | YPCT05020 | COTTER PIN, 5/32 X 1-3/4 |
| 12 | YNSL28005 | HEX NUT, SLOTTED, 7/8-14 |
| 13 | B2 | HUB CAP |
| 14 | 37N8 | SPINDLE FOR 8 X 20 WHEEL |
| * | 16SV203 | SPINDLE 2-1/2 X 18-1/2 FOR 821 HUB |
| 15 | YPEX16020 | EXPANSION PIN, 1/2" X 4" |
| 16 | 37N85 | LH AXLE |
| 17 | 37N84 | RH AXLE |
| 18 | YNTL16005 | HEX NUT, TOP LOCK, 1/2-13 |
| 19 | 37N86 | RING |
| 20 | YBHH16150 | BOLT, 1/2"-13 X 4-3/4" GR 5 |
| 21 | B58 | BUSHING |
| 22 | 23N34 | FRONT FLARE |
| 23 | F33 | SIDE CABLE GUIDE |
| 24 | YBPU08005 | PIPE U BOLT, 1/4 X 3/4 |
| 25 | 37N12 | PLYWOOD ANGLE RH |
| 26 | 37N13 | PLYWOOD ANGLE LH |
| 27 | 23N176 | FRONT END BRACE |
| 28 | 16V9 | GREASE ZERK BRACKET |
| 29 | 37N65 | POLY PLYWOOD, FRONT GATE, 7 PLY - 5/8" X 26-1/2" X 59-3/4" |
| 30 | 23N40 | STRAP FOR RUBBER |
| 31 | 23N41 | FRONT GATE RUBBER |
| 32 | 23N42 | SPLASH GUARD LEFT |
| 33 | 23N43 | SPLASH GUARD RIGHT |
| 34 | 37N16 | SIDE FLARE RH |
| 38 | 31N43 | GREASE LINE |
| 39 | 37N81 | SOLID POLY FLOOR - 370-430 |
| 40 | 37N67 | BONDED POLY/PLYWOOD SIDE (RH) |
| 41 | 37N68 | BONDED POLY/PLYWOOD SIDE (LH) |
| 42 | 37N51 | FRONT PANEL |
| 43 | B111 | AXLE BEARING |
| 44 | S47 | GREASE LINE FITTING |
| * | 12V36 | WHEEL, 16.1 X 14, 8 BOLT |
| * | 23N179 | WHEEL, 8.25 X 22.5, 8 BOLT |
| * | UR19 | TIRE, 295/75R22.5, RECAP, HIGHWAY TREAD |

MEANS NOT SHOWN

FIGURE 3

FRONT SHIELD & DRIVE ASSEMBLY

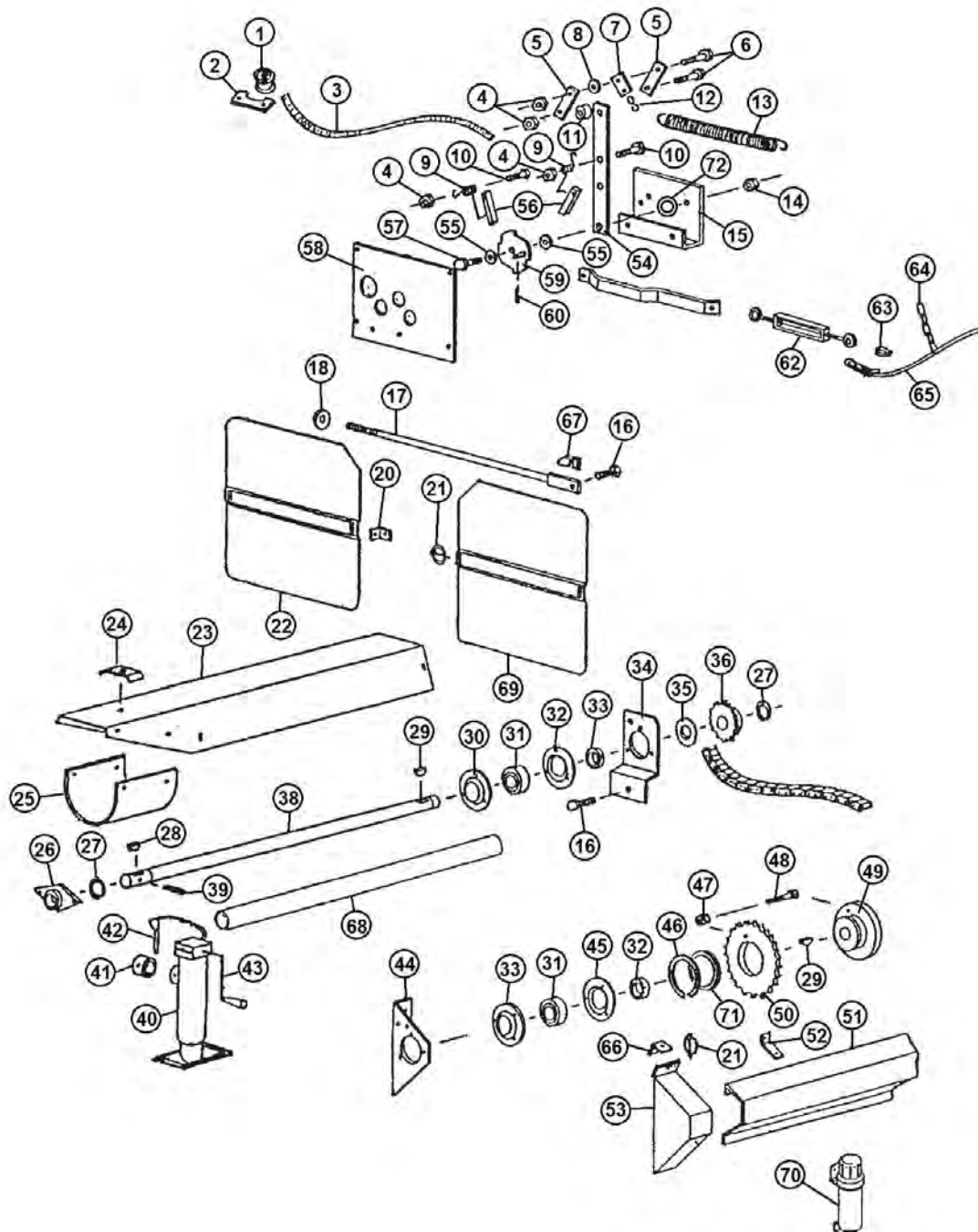


FIGURE 3

FRONT SHIELD & DRIVE ASSEMBLY

| <u>ITEM</u> | <u>PART #</u> | <u>DESCRIPTION</u> |
|--------------------|----------------------|----------------------------------|
| 1 | F33 | CABLE GUIDE |
| 2 | 23N182 | BRACKET |
| 3 | 23N183 | ROPE - 15' |
| 4 | YNTL12005 | HEX NUT, TOP LOCK, 3/8"-16 |
| 5 | 23N184 | BRACKET |
| 6 | YBHH12035 | BOLT, 3/8" X 1-1/4" GR. 5 |
| 7 | 23N185 | SPRING BRACKET |
| 8 | YWFL12005 | WASHER, FLAT, 3/8" USS |
| 9 | 23N186 | DOG SPRING |
| 10 | YBHH12010 | BOLT, 3/8" X 1" GR. 5 |
| 11 | D107 | SPACER |
| 12 | X79 | S-HOOK |
| 13 | 23N187 | SPRING |
| 14 | YNHX16005 | HEX NUT, 1/2" |
| 15 | 23N188 | SHIFTER BRACKET |
| 16 | YBHH16045 | BOLT, 1/2" X 1-1/4" GR. 5 |
| 17 | 23N63 | TIGHTENER ROD |
| 18 | F129 | WASHER |
| 20 | F92 | SHIELD BRACKET |
| 21 | YPLY08010 | LYNCH PIN, 1/4" X 1-1/2" |
| 22 | 23N305 | FRONT SHIELD |
| 23 | 23N66 | SHIELD |
| 24 | 23N67 | TAILGATE HOSE BRACKET |
| * | HE42 | HYDRAULIC DRIVE BRACKET |
| 25 | F54 | SHIELD |
| 26 | 12N29 | BEARING |
| 27 | F73 | SNAP RING |
| 28 | 5B10 | 1/4" X 1" KEY |
| 29 | 5B9 | 3/8" X 1-1/4" KEY |
| 30 | F114A | FLANGE, 1-1/4" W/45 DEG. ZERK |
| 31 | 12N122 | BEARING W/LOCK COLLAR ASSEMBLY |
| 32 | 12N122 | BEARING W/LOCK COLLAR ASSEMBLY |
| 33 | F14 | BEARING FLANGE, 1-1/4" #62-MM-3 |
| 34 | 23N68 | FRONT ADJUSTMENT PLATE |
| 35 | 23N69 | SPACER |
| 36 | 23N70 | 25T SPROCKET |
| * | 37N72 | 16T SPROCKET (OPTIONAL 1000 RPM) |

*** MEANS NOT SHOWN**

FIGURE 3

FRONT SHIELD & DRIVE ASSEMBLY

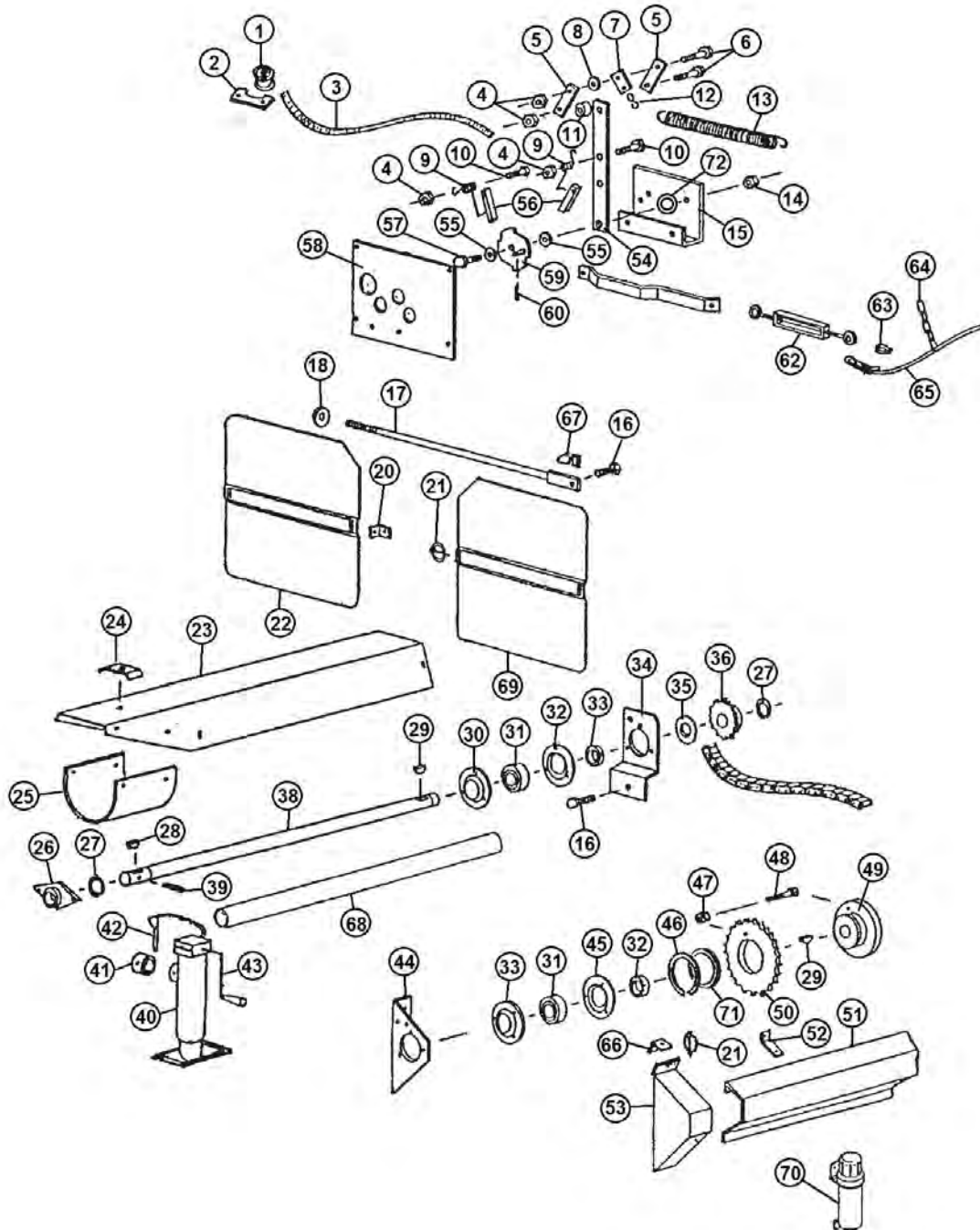


FIGURE 3

FRONT SHIELD & DRIVE ASSEMBLY

| <u>ITEM</u> | <u>PART #</u> | <u>DESCRIPTION</u> |
|-------------|---------------|-------------------------------|
| 37 | 23N71 | #60 ROLLER CHAIN 122 PITCHES |
| 38 | 23N72 | FRONT SHAFT |
| 39 | YPEX10020 | EXPANSION PIN, 5/16" X 2-1/4" |
| 40 | 27N49 | JACK |
| * | 12N120 | JACK GEAR REPAIR KIT |
| 41 | 27N51 | JACK MOUNT |
| 42 | 27N50 | JACK PIN |
| 43 | 12N119 | HANDLE |
| * | 12N118 | REPLACEMENT BEARING |
| 44 | 23N74 | BEARING PLATE |
| 45 | F114A | FLANGE |
| 46 | 23N189 | SNAP RING |
| 47 | YNTL12005 | HEX NUT, TOP LOCK, 3/8"-16 |
| 48 | YBHH12025 | BOLT, 3/8" X 1-1/2" GR. 5 |
| 49 | 45N71 | SHEAR HUB |
| 50 | C1MS01 | 60-A-30 SPROCKET |
| 51 | 31N17 | SIDE SHIELD |
| 52 | 23N79 | BRACKET |
| 53 | 23N80 | SHIELD |
| 54 | 23N192 | FRONT SHIFTER ARM |
| 55 | YWFL16005 | WASHER, FLAT, 1/2" USS |
| 56 | 23N193 | DOG |
| 57 | YBHH16055 | BOLT, 1/2" X 1-3/4" GR. 5 |
| 58 | 23N195 | SHIFTER PANEL |
| 59 | 23N196 | SPEED SELECTOR |
| 60 | YPCT04005 | COTTER PIN, 1/8" X 1" |
| 61 | 23N197 | SHIFTER ARM |
| 62 | F84 | TURNBUCKLE |
| 63 | F44 | CABLE LOOP |
| 64 | 23N198 | CABLE CHAIN |
| 65 | 31N27 | CABLE |
| 66 | 23N242 | SHIELD BRACKET |
| 67 | 23N278 | SPACER |
| 68 | 37N74 | FRONT SHAFT GUARD |
| 69 | 23N306 | FRONT SHIELD LH |
| 70 | S522 | MANUAL HOLDER |
| 71 | C112G01 | SHEAR HUB SPACER |
| 72 | 31N51 | SHIFTER SPACER WASHER |

*** MEANS NOT SHOWN**

FIGURE 4

BACK SHIELDS & DRIVE ASSEMBLY

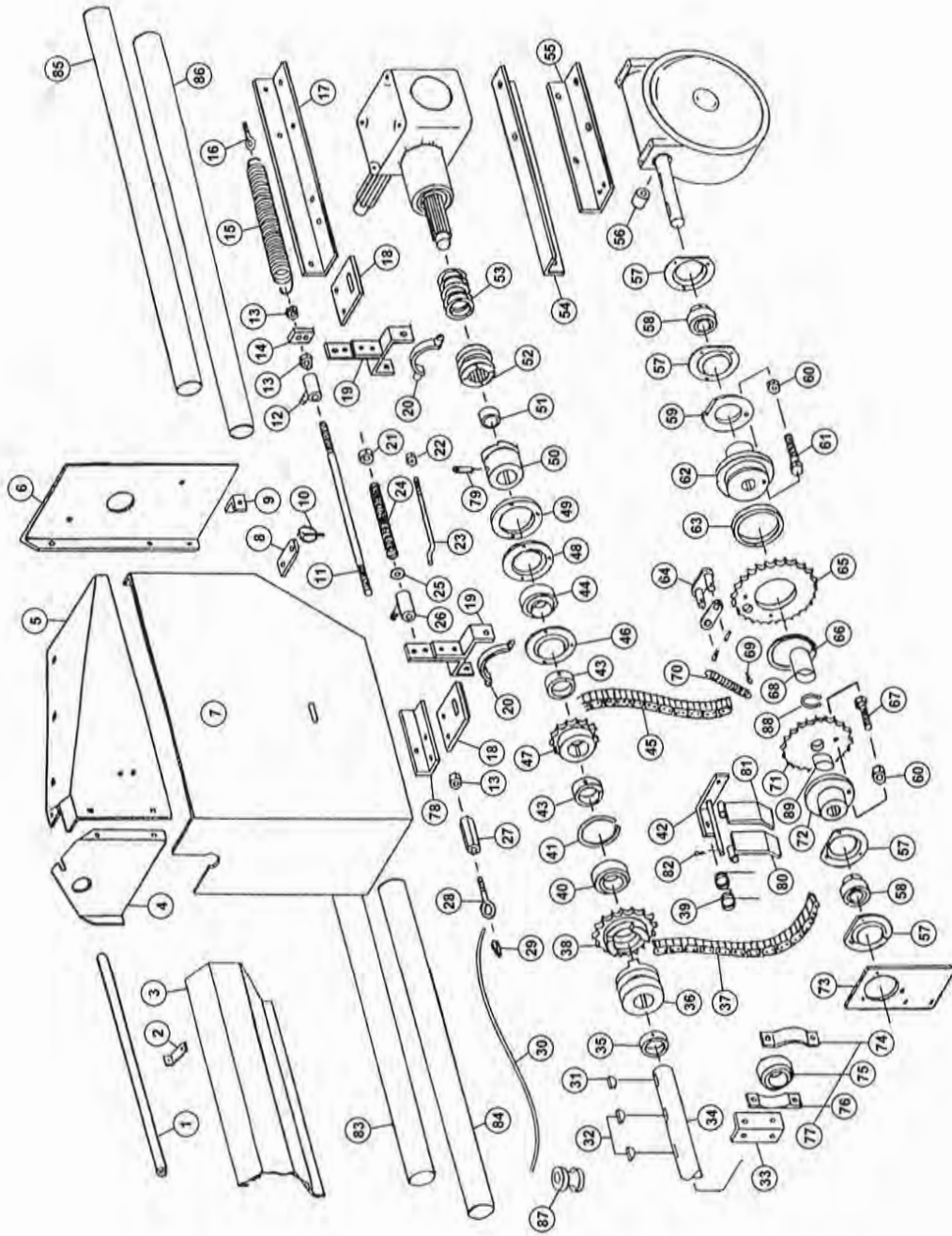


FIGURE 4

BACK SHIELDS & DRIVE ASSEMBLY

| <u>ITEM</u> | <u>PART #</u> | <u>DESCRIPTION</u> |
|-------------|---------------|--|
| 1 | 23N200 | CABLE GUARD |
| 2 | 23N79 | SIDE SHIELD BRACKET |
| 3 | 37N54 | SIDE SHIELD |
| 4 | 37N55 | SHIELD |
| 5 | 37N56 | BACK SHIELD TOP |
| 6 | 37N57 | BACK SHIELD |
| 7 | 23N204 | COVER |
| 8 | 23N96 | SHIELD BRACKET |
| 9 | F92 | ANGLE |
| 10 | S122 | LYNCH PIN, 1/4" X 1-1/2" |
| 11 | 23N205 | CLUTCH ROD |
| 12 | 23N206 | SHIFTING ROD BRACKET |
| 13 | YNHX12005 | HEX NUT, 3/8"-16 |
| 14 | 23N207 | SPRING BRACKET |
| 15 | K103 | SPRING |
| 16 | YBTE08005 | TURNED EYE BOLT, 1/4" X 1" FULL THREAD |
| 17 | 23N85 | TOP ANGLE |
| 18 | 23N86 | SHIFTER BRACKET |
| 19 | D57 | SHIFTER LEVER |
| 20 | 23N208 | YOKE W/ ZERK |
| 21 | 23N209 | COLLAR |
| 22 | YNTL08005 | HEX NUT, TOP LOCK, 1/4"-20 |
| 23 | 23N210 | SHIFTING ROD |
| 24 | 23N211 | SPRING BRACKET |
| 25 | YWFL12005 | WASHER, FLAT, 3/8" USS |
| 26 | 23N206 | ROD BRACKET |
| 27 | 23N212 | COUPLING NUT |
| 28 | YBTE12005 | TURNED EYE BOLT, 3/8" X 1" |
| 29 | F44 | CABLE LOOP |
| 30 | 37N53 | CABLE |
| 31 | 5B9 | 3/8" X 1-1/4" WOODRUFF KEY |
| 32 | 5B10 | 1/4" X 1" WOODRUFF KEY |
| 33 | 23N97 | SIDE BEARING BRACKET |
| 34 | 37N58 | SIDE SHAFT |
| 35 | F6 | COLLAR |
| 36 | 23N215 | CLUTCH THROW-OUT |
| 37 | 23N93 | #50 CHAIN 60 PITCHES |
| 38 | 23N216 | CLUTCH SPROCKET |
| * | 61138 | INCLUDES (SPROCKET,BEARING,SNAP RING) |
| 39 | 31N33 | SPRING TIGHTENER |
| 40 | BFR525 | BEARING |
| 41 | 3G19 | SNAP RING |
| 42 | 31N36 | TIGHTENER BRACKET |
| 43 | 12N122 | BEARING W/LOCK COLLAR ASSEMBLY |
| 44 | 12N122 | BEARING W/LOCK COLLAR ASSEMBLY |
| 45 | 23N93 | #50 CHAIN 60 PITCHES |
| 46 | F114A | FLANGE |
| 47 | 10R11 | 13 TOOTH SPROCKET |

*** MEANS NOT SHOWN**

FIGURE 4

BACK SHIELDS & DRIVE ASSEMBLY

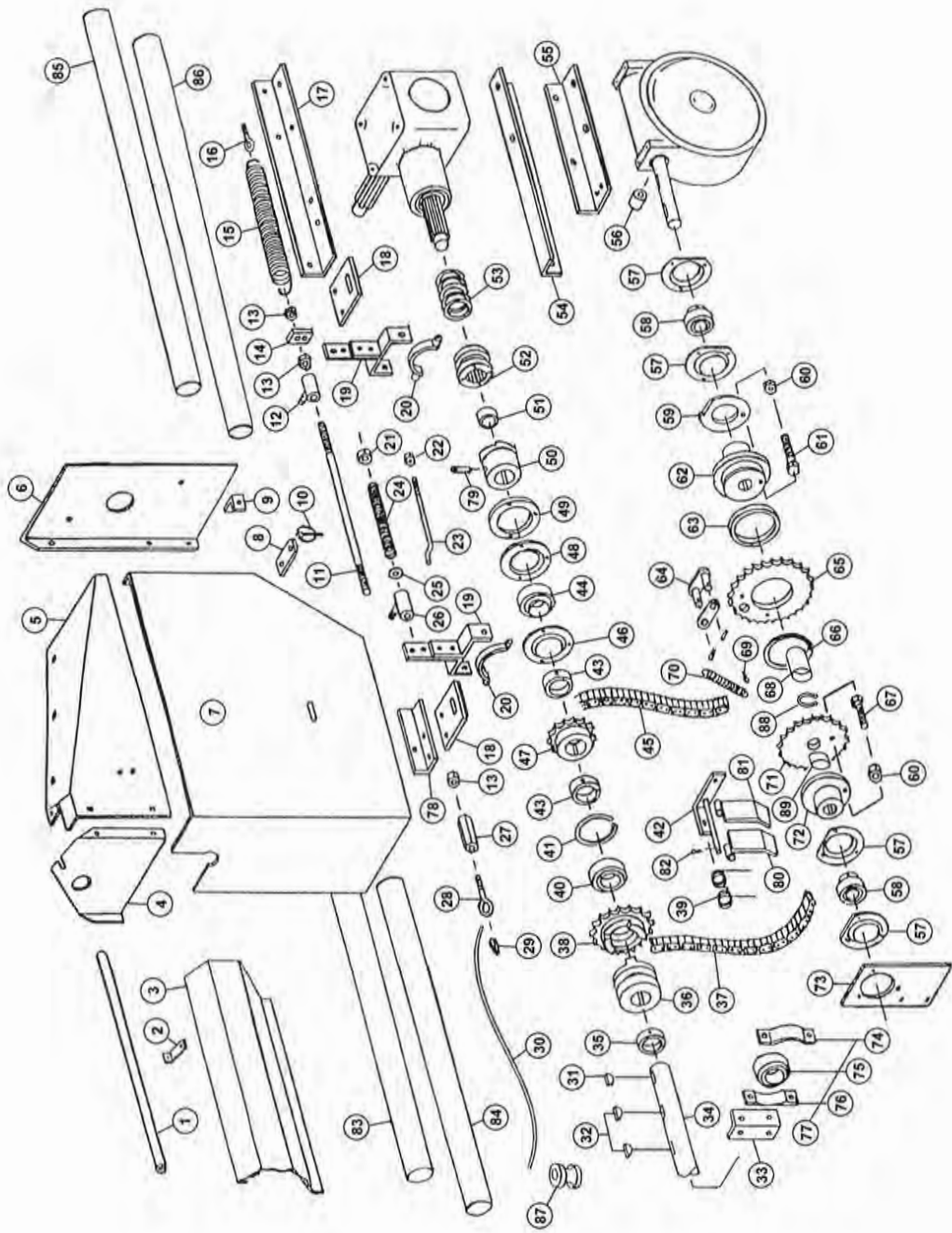


FIGURE 4

BACK SHIELDS & DRIVE ASSEMBLY

| <u>ITEM</u> | <u>PART #</u> | <u>DESCRIPTION</u> |
|-------------|---------------|---|
| 48 | F14 | FLANGE |
| 49 | 23N174 | FLANGE SPACER |
| 50 | 23N241 | CLUTCH |
| 51 | D68 | BRONZE BUSHING |
| 52 | 23N90 | CLUTCH |
| 53 | 23N89 | SPRING |
| 54 | 23N88 | BOTTOM ANGLE |
| 55 | 23N95 | WORM BOX HOLDER |
| 56 | 23N94 | SPACER |
| 57 | X85 | FLANGE |
| 58 | 23N221 | BEARING W/ SETSCREWS |
| 59 | 23N222 | SHEAR PLATE |
| 60 | YNTL08005 | HEX NUT, TOP LOCK, 1/4"-20 |
| 61 | YBHH08035 | BOLT, 1/4" X 1-1/4" GR. 5 |
| 62 | 23N224 | SHEAR HUB |
| 63 | 23N225 | BRONZE RING |
| 64 | 60531 | CONNECTOR LINK W/ PINS |
| 65 | 23N226 | 30T SPROCKET |
| 66 | 23N227 | SNAP RING |
| 67 | YBHH08035 | BOLT, 1/4" X 1-1/4" GR. 5 |
| 68 | 56029 | SPACER |
| 69 | YPCT04005 | COTTER PIN, 1/8" X 1" |
| 70 | 23N229 | DOG SPRING |
| 71 | 56026 | 25T SPROCKET |
| 72 | 56025 | SHEAR HUB |
| 73 | 23N230 | BEARING PANEL |
| 74 | 12N34 | BEARING COVER |
| 75 | 12N33 | BEARING |
| 76 | 12N35 | HOLDER |
| 77 | 12N36 | BEARING |
| 78 | 23N239 | SHIFTER SUPPORT |
| 79 | YSFD12005 | SET SCREW, SOCKET, FULL DOG PT, 3/8"-16 X 3/4" |
| 80 | 31N34 | LH TIGHTENER BAR |
| 81 | 31N35 | RH TIGHTENER BAR |
| 82 | YPCT04005 | COTTER PIN, 1/8" X 1" |
| * | X60 | #50 OFFSET |
| * | X61 | #50 CONN. |
| * | 31N38 | CHAIN TIGHTENER ASSEMBLY |
| 83 | 37N76 | #2 SIDE SHAFT GUARD |
| 84 | 37N75 | #1 SIDE SHAFT GUARD |
| 85 | 37N76 | #4 SIDE SHAFT GUARD |
| 86 | 37N77 | #3 SIDE SHAFT GUARD |
| 87 | F33 | CABLE GUIDE |
| 88 | 56024 | EXTERNAL SNAP RING 1-1/2" |
| 89 | 56027 | BUSHING |
| * | 56036 | SPROCKET BUSHING ASSEMBLY (INCLUDES ITEM #71 & #89) |

* MEANS NOT SHOWN

FIGURE 5
HYDRAULIC ENDGATE ASSEMBLY

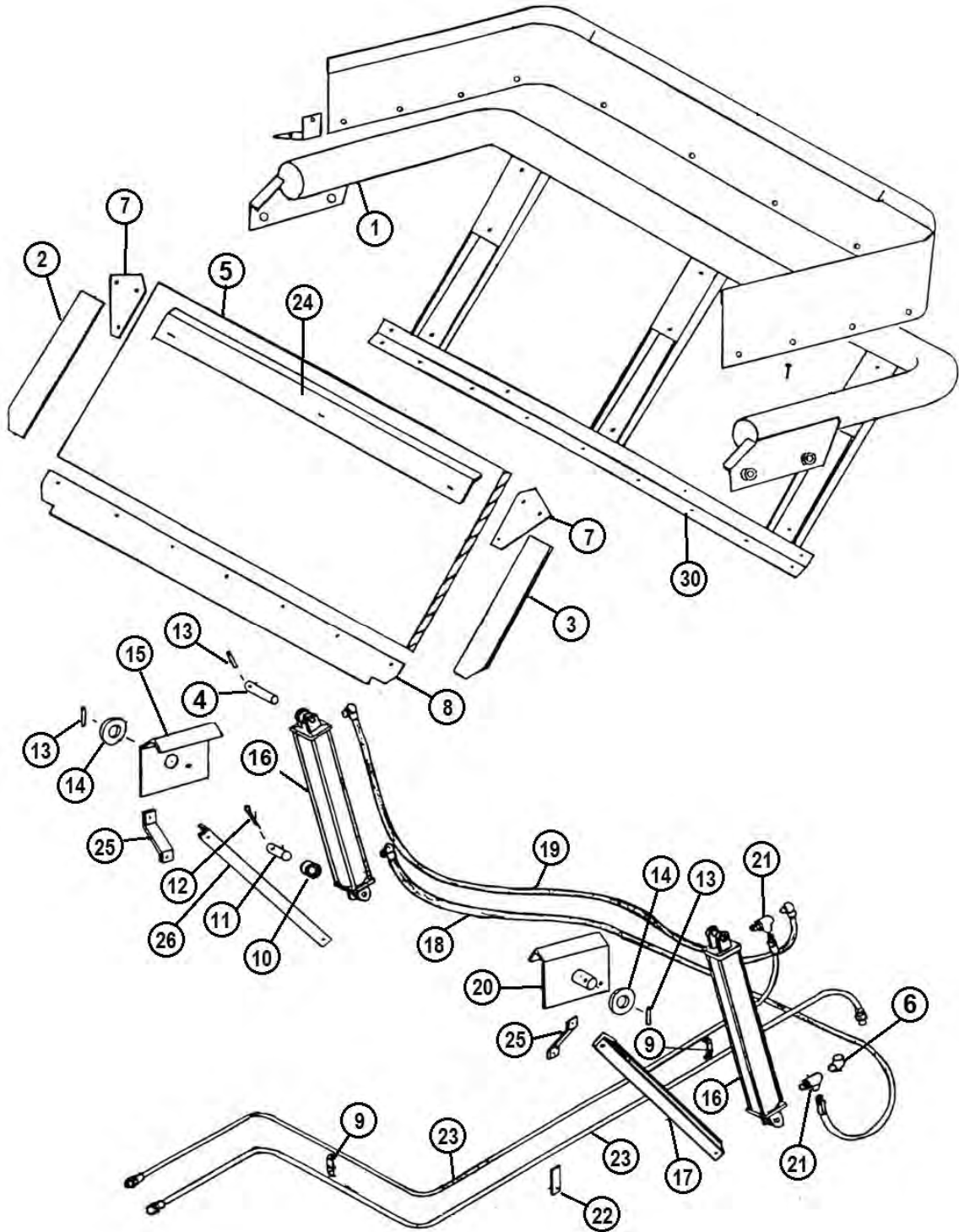


FIGURE 5

HYDRAULIC ENDGATE ASSEMBLY

| <u>ITEM</u> | <u>PART #</u> | <u>DESCRIPTION</u> |
|-------------|---------------|---|
| 1 | 37N79 | TAILGATE FRAME |
| 2 | 37N35 | RH SIDE RUBBER |
| 3 | 37N36 | LH SIDE RUBBER |
| 4 | 23N301 | CYLINDER PIN |
| 5 | 31N69A | TAILGATE PLYWOOD W/FIBERGLASS |
| 6 | 23N234 | ELBOW, STREET, 3/8", 90 DEGREE |
| 7 | 23N104 | TAILGATE CORNER |
| 8 | 23N105 | BOTTOM RUBBER |
| 9 | 23N67 | FRONT HOSE BRACKET |
| 10 | K132 | SPACER 3/8" LONG |
| 11 | 23N107 | CYLINDER PIN |
| 12 | YPCT07005 | COTTER PIN, 7/32" X 2" |
| 13 | YPEX10015 | EXPANSION PIN, 5/16" X 1-3/4" |
| 14 | 23N109 | TAILGATE WASHER |
| 15 | 23N299 | RH TAILGATE MOUNT |
| 16 | 56015 | HYD CYL 2" X 16" W/PINS 90DEGREE TO PORTS |
| 17 | 37N59 | LH TAILGATE BRACE |
| 18 | 37N60 | HOSE |
| 19 | 37N61 | HOSE |
| 20 | 23N300 | LH TAILGATE MOUNT |
| 21 | 23N116 | 3/8" TEE |
| 22 | 23N117 | HOSE HOLDER |
| 23 | 37N83 | 3/8" X 316" HOSE |
| 24 | 23N163 | TAILGATE POLY HOLD DOWN |
| 25 | 23N232 | TAILGATE BRACKET BRACE |
| 26 | 37N62 | TAILGATE BRACKET BRACE |

FIGURE 6

APRON CHAIN ASSEMBLY

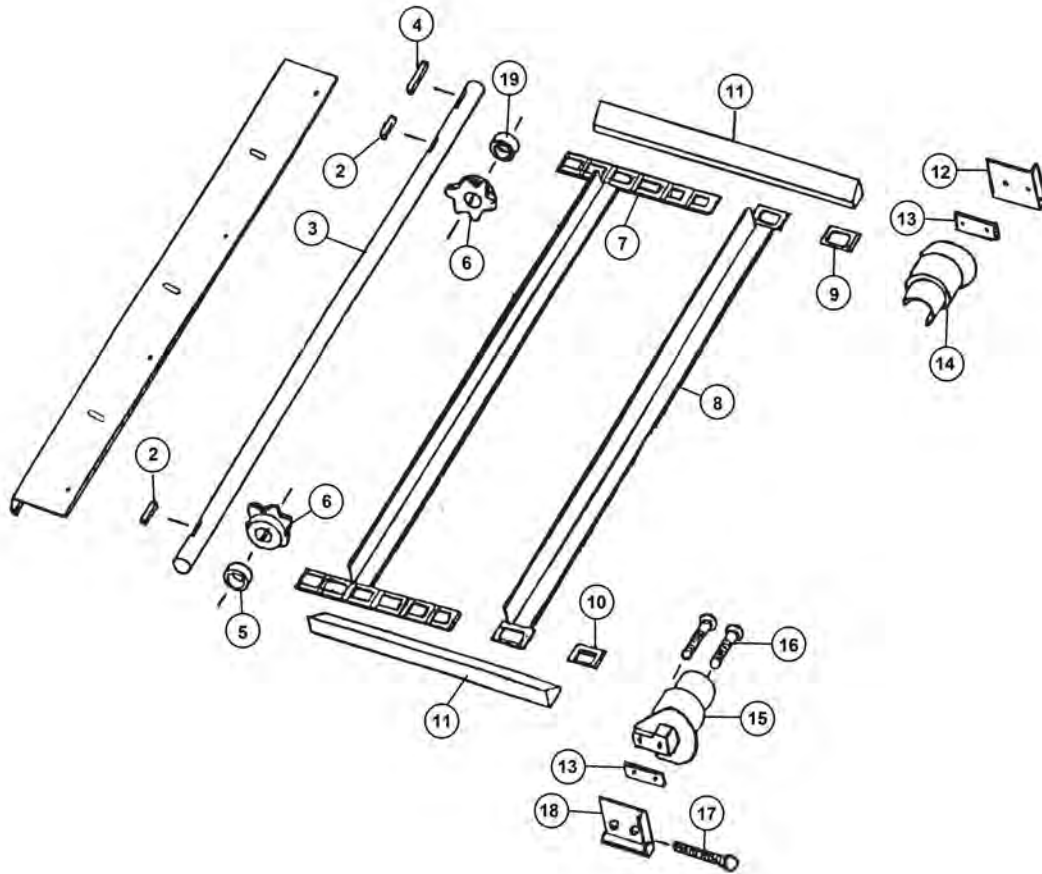


FIGURE 6

APRON CHAIN ASSEMBLY

| <u>ITEM</u> | <u>PART #</u> | <u>DESCRIPTION</u> |
|-------------|---------------|------------------------------------|
| 1 | 37N82 | DRIVE SHAFT SHIELD |
| 2 | 23N303 | 3/8" x 1-3/4" SQUARE KEY |
| 3 | 27N19 | DRIVE SHAFT |
| 4 | S138 | 3/8" x 2-3/8" SQ. KEY W/ROUND ENDS |
| 5 | 23N121 | SPACER 5/8" |
| 6 | 23N122 | DRIVE SPROCKET 6T |
| 7 | 37N42 | APRON CHAIN 28 SLATS, 280 LINKS |
| 8 | 23N124 | SLAT W/ATTACHMENT LINKS |
| 9 | S55 | T-ROD STANDARD LINK |
| 10 | S55 | T-ROD STANDARD LINK |
| 11 | 37N43 | APRON CHAIN SIDE SPACERS CHAIN |
| 12 | A30 | SLIDE PLATE LH |
| 13 | 23N126 | CHAIN SLIDE SPACER |
| 14 | 23N127 | T-ROD SLIDE LH |
| 15 | 23N128 | T-ROD SLIDE RH |
| 16 | YBCR16045 | 1/2" x 4" CARRIAGE BOLT GR.5 |
| 17 | YBHH16145 | 1/2" x 4-1/2" BOLT GR.5 |
| 18 | A29 | CHAIN SLIDE PLATE RH |
| 19 | 23N266 | SPACER 5/16" |

FIGURE 7

OPTIONAL HYDRAULIC DRIVE ASSEMBLY

| <u>ITEM</u> | <u>PART #</u> | <u>DESCRIPTION</u> |
|-------------|---------------|----------------------------|
| 1 | HE58 | 90O STREET ELBOW |
| 2 | DF15 | SPEED CONTROL |
| 3 | DF18 | CHECK VALVE |
| 4 | DF7 | NIPPLE |
| 5 | DF8 | TEE |
| 6 | HE14 | HOSE BRACKET |
| 7 | 23N131 | #50 CHAIN 40 PITCHES |
| 8 | 11S19 | 20T SPROCKET |
| 9 | 5B10 | 1/4" X 1" WOODRUFF KEY |
| 10 | DF1 | HYDRAULIC MOTOR |
| 11 | 23N117 | HOSE HOLDER |
| 12 | 23N132 | HYDRAULIC MOTOR HOSE |
| 13 | DF21 | REDUCER |
| 14 | 23N133 | CONTROL PANEL |
| 15 | DF9 | HOSE FOR HANDLE |
| 16 | YNTL12005 | HEX NUT, TOP LOCK, 3/8"-16 |
| 17 | DF12 | WASHER |
| 18 | DF11 | HANDLE |
| 19 | DF10 | HANDLE BRACKET |
| 20 | DF14 | STRAP |
| 21 | DF22 | RING FOR STRAP |
| 22 | 31N23 | COUPLING |
| 23 | HE12 | HOSE |
| 24 | 10R32 | SNAP RING |
| 25 | 23N238 | CHAIN TIGHTENER ROLLER |
| 26 | L10R35 | TIGHTENER BRACKET |

FIGURE 8
WORM GEARBOX ASSEMBLY

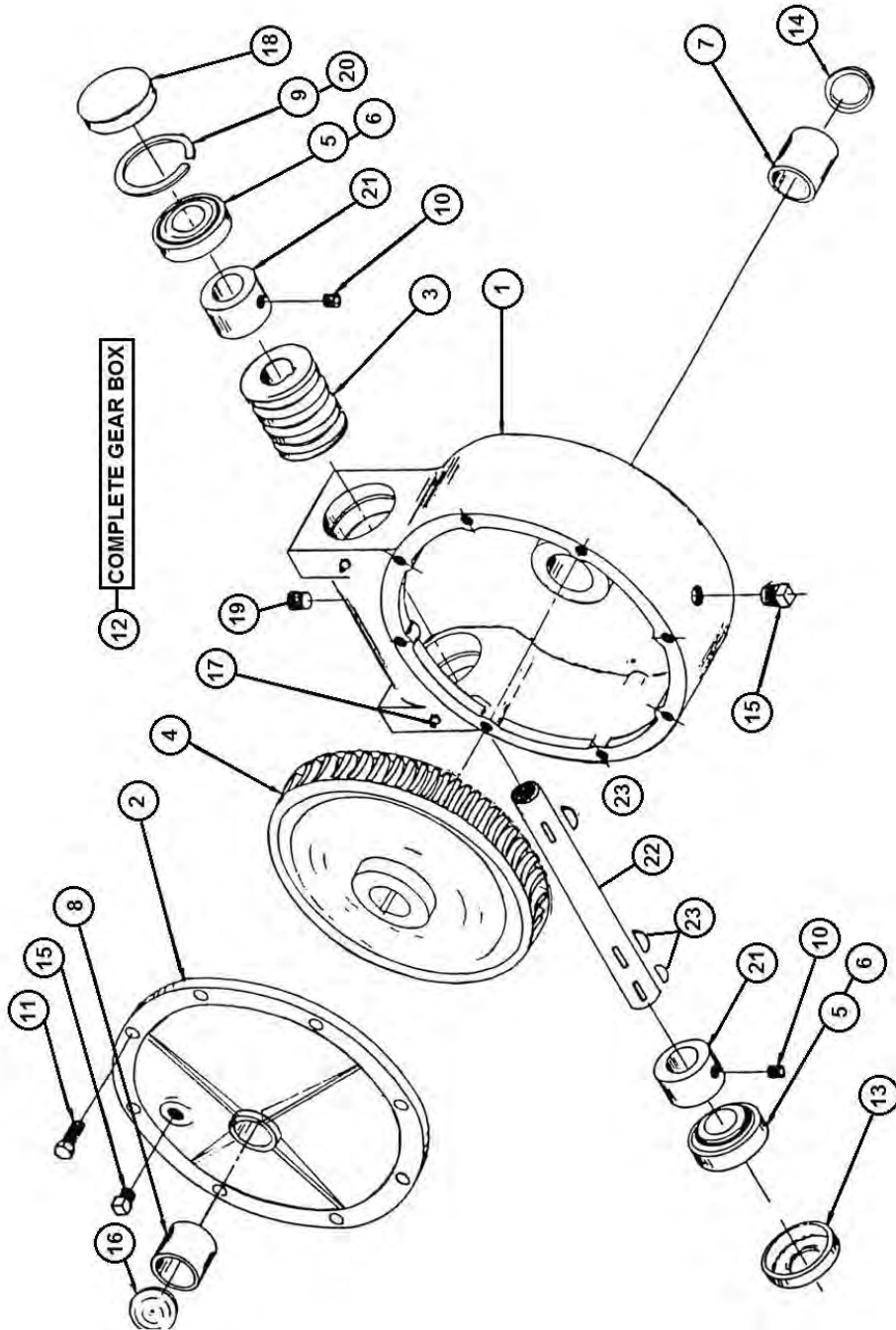


FIGURE 8

WORM GEARBOX ASSEMBLY

| <u>ITEM</u> | <u>PART #</u> | <u>DESCRIPTION</u> |
|-------------|---------------|-------------------------------------|
| 1 | G114 | HOUSING |
| 2 | G116 | COVER |
| 3 | G76 | WORM |
| 4 | G77 | WORM GEAR |
| 5 | G78 | BEARING #15101 |
| 6 | G79 | BEARING CUP #15245 BEARING - |
| 7 | X8 | OIL LITE |
| 8 | X75 | BEARING - OIL 1 1/2 X 1 3/4 X 1 1/4 |
| 9 | G82 | SNAP RING |
| 10 | YSKP12025 | SETSCREW 3/8" NC x 3/8" LONG |
| 11 | YSKP12005 | CAPSCREW 3/8" NC x 1" LONG |
| 12 | G122 | WORM GEARBOX COMPLETE |
| 13 | G123 | SEAL |
| 14 | 17G133 | SEAL |
| 15 | G65 | PLUG 3/8" NPT |
| 16 | G117 | CAP 1-7/8" |
| 17 | G89 | ZERK 1/4"-28 |
| 18 | G90 | CAP |
| 19 | G91 | VENT PLUG 3/8" NPT |
| 20 | G92 | SHIM |
| 21 | G93 | SPACER |
| 22 | 23N236 | WORM GEAR SHAFT |
| 23 | 5B10 | 1/4" x 1" WOODRUFF KEY |
| * | G88 | GASKET |

*** MEANS NOT SHOWN**

FIGURE 9

BEVEL GEARBOX

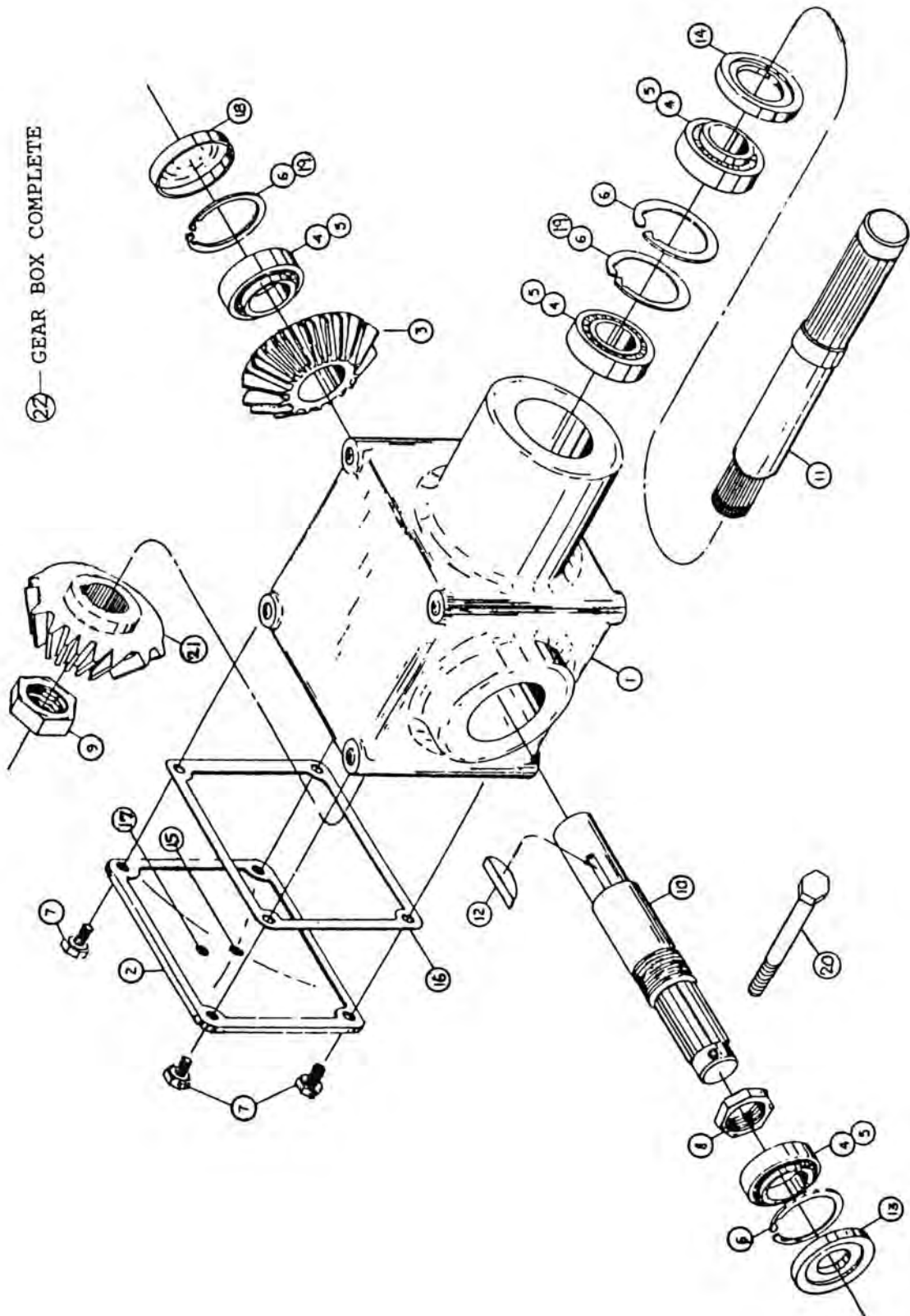


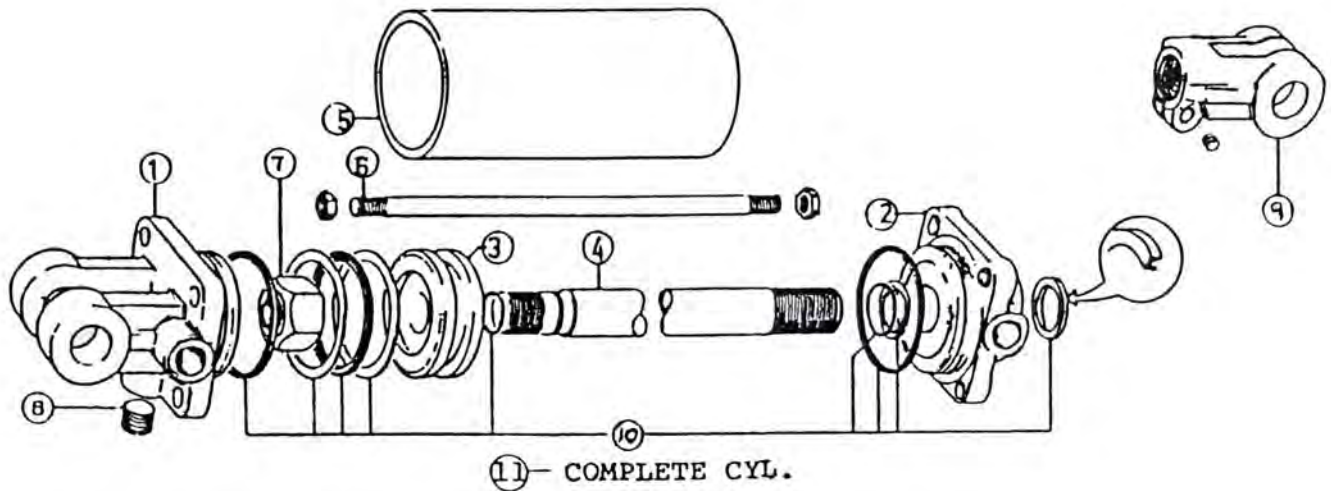
FIGURE 9

BEVEL GEARBOX

| <u>ITEM</u> | <u>PART #</u> | <u>DESCRIPTION</u> |
|-------------|---------------|---------------------------------|
| 1 | G50 | HOUSING |
| 2 | G51 | COVER |
| 3 | 23N136 | BEVEL GEARBOX 24T |
| 4 | G53 | BEARING #14137A |
| 5 | G54 | BEARING CUP #14276 |
| 6 | G55 | SNAP RING |
| 7 | YBHH10132 | CAPSCREW, 5/16" X 5/8" |
| 8 | G57 | STAKE NUT 1-1/2" |
| 9 | 31N39 | STAKE NUT 1-1/8" |
| 10 | 23N137 | SHAFT - OUTPUT |
| 11 | 31N40 | SHAFT - INPUT DOUBLE SPLINED |
| 12 | G61 | "E" (1210) WOODRUFF KEY (Hard5) |
| 13 | G63 | SEAL - OUTPUT |
| 14 | G64 | SEAL - INPUT |
| 15 | G65 | PLUG 1/8" NPT |
| 16 | G66 | GASKET |
| 17 | G67 | PLUG 1/8" NPT |
| 18 | G68 | CAP |
| 19 | G69 | SHIM |
| 20 | YBHH10130 | 5/16" x 5" BOLT GR.5 |
| 21 | 31N41 | BEVEL GEAR 16T-SPLINED |
| 22 | 31N42 | BEVEL GEARBOX COMPLETE |

FIGURE 10

HYDRAULIC CYLINDER

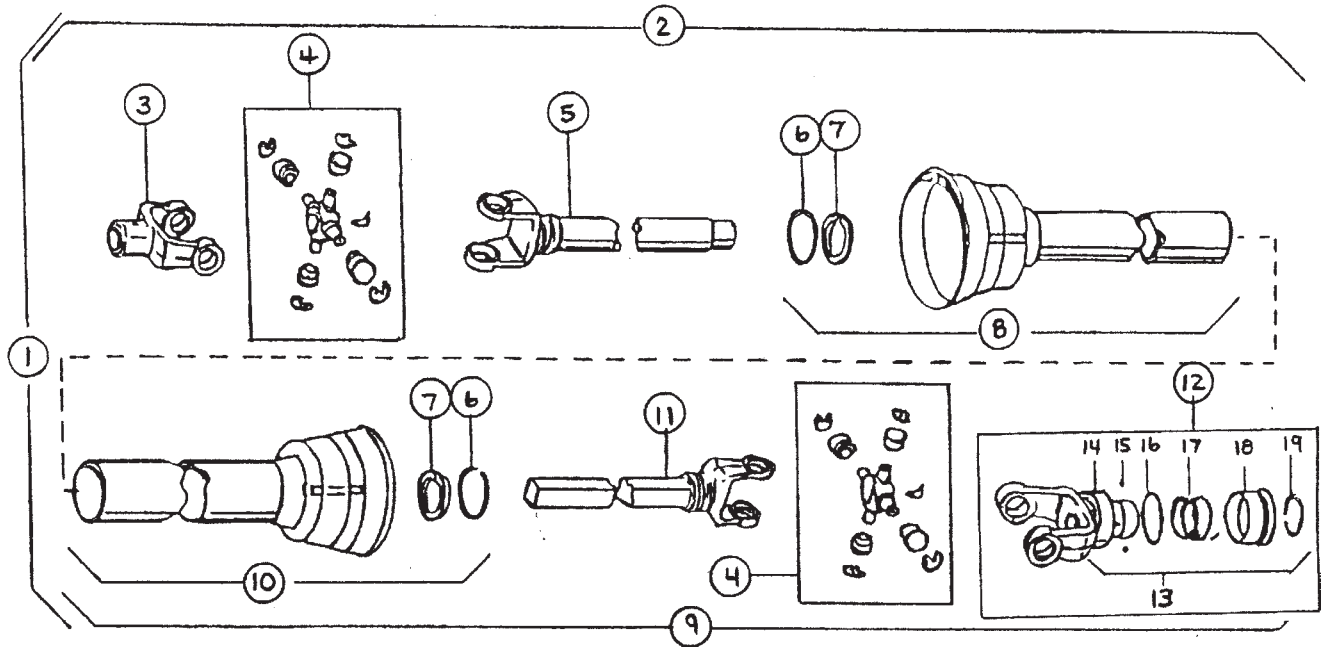


| <u>ITEM</u> | <u>PART #</u> | <u>DESCRIPTION</u> |
|-------------|---------------|-----------------------------|
| 1 | 23N142A | CLEVIS CAP |
| 2 | 23N143A | ROD CAP |
| * | 56174 | ROD CAP |
| 3 | 23N144 | PISTON |
| * | 56180 | PISTON FOR 2" CYLINDER |
| 4 | 23N145A | ROD CAP |
| 5 | 23N146 | CYLINDER TUBE |
| 6 | 23N147 | TIE ROD |
| 7 | 23N148 | PISTON NUT |
| 8 | 23N149 | PLUG |
| 9 | 23N150A | ROD CLEVIS |
| 10 | 23N151 | SEAL KIT |
| * | 56187 | SEAL KIT FOR 2" CYLINDER |
| 11 | 23N111A | HYDRAULIC CYLINDER |
| * | 56015 | 2" X 16" HYDRAULIC CYLINDER |

*** MEANS NOT SHOWN**

FIGURE 11

PTO ASSEMBLY



| <u>ITEM</u> | <u>PART #</u> | <u>1000 RPM</u> | <u>DESCRIPTION</u> |
|-------------|---------------|-----------------|------------------------------------|
| 1 | 23N152 | 23N313 | PTO COMPLETE W/SHIELDS |
| 2 | 23N153 | " | MACHINE HALF PTO W/SHIELDS |
| 3 | G1R35 | " | END YOKE MACHINE HALF |
| 4 | 14NWKIT | " | REPAIR KIT |
| 5 | 23N155 | " | YOKE AND TUBE |
| 6 | 24N26 | " | BEARING RETAINER |
| 7 | 4N20 | " | NYLON BEARING |
| 8 | 23N156 | " | INNER GUARD INCLUDING ITEM #6 & #7 |
| 9 | 23N157 | 23N314 | TRACTOR HALF PTO W/SHIELD |
| 10 | 23N158 | 23N315 | OUTER GUARD INCLUDING ITEM #6 & #7 |
| 11 | 23N159 | " | YOKE AND SHAFT |
| 12 | 23N162 | " | LOCK YOKE ASSEMBLY |
| * | 37N73 | " | OPTIONAL 1000 RPM YOKE (1-3/8") |
| 13 | S225 | " | SPRING LOCK REPAIR KIT |
| 14 | S226 | " | COVER |
| 15 | S212 | " | STAINLESS BALL |
| 16 | S227 | " | WASHER |
| 17 | S228 | " | SPRING |
| 18 | S229 | " | COLLAR ASSEMBLY |
| 19 | S215 | " | RETAINING RING |
| * | S402 | " | PTO SAFETY MANUAL |

* MEANS NOT SHOWN

" MEANS SAME # AS PREVIOUS MODEL

FIGURE 12
OPTIONAL 2ND BEATER

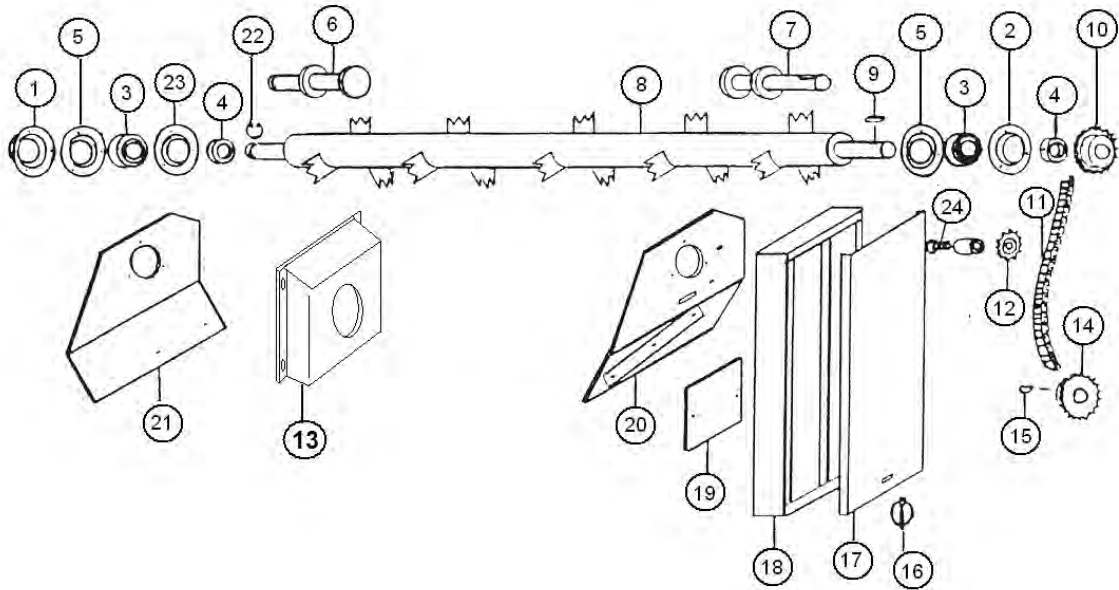


FIGURE 12

OPTIONAL 2ND BEATER

| <u>ITEM</u> | <u>PART #</u> | <u>DESCRIPTION</u> |
|-------------|---------------|---------------------------------|
| 1 | 23N308 | BEARING FLANGE GUARD |
| 2 | F114A | BEARING FLANGE W/ ZERK 450 |
| 3 | 12N122 | BEARING W/ LOCK COLLAR ASSY. |
| 4 | 12N122 | BEARING W/ LOCK COLLAR ASSY. |
| 5 | F14 | BEARING FLANGE, 1-1/4" #62-MM-3 |
| 6 | 23N164 | LH STUB SHAFT |
| 7 | 23N165 | RH STUB SHAFT |
| 8 | 23N166 | 2ND BEATER |
| 9 | G23 | 5/16" X 1-3/8" SQUARE KEY |
| 10 | D18 | SPROCKET |
| 11 | 37N49 | #60 CHAIN |
| 12 | 12N42 | IDLER SPROCKET |
| 13 | 57216 | BEATER BEARING PROTECTOR |
| 14 | F13 | SPROCKET |
| 15 | 5B9 | 3/8" X 1-1/4" KEY |
| 16 | F56 | CLIP PIN |
| 17 | 23N169 | COVER |
| 18 | 37N48 | SHIELD |
| 19 | 37N45 | SHIELD |
| 20 | 37N46 | RH PANEL |
| 21 | 37N47 | LH PANEL |
| 22 | F73 | SNAP RING |
| 23 | F114A | FLANGE W/ STRAIGHT ZERK |
| 24 | YBCR16030 | CARR. BOLT, 1/2" X 2-1/2" GR. 5 |

FIGURE 13

OPTIONAL ELECTRIC CONTROL FOR HYDRAULIC DRIVE

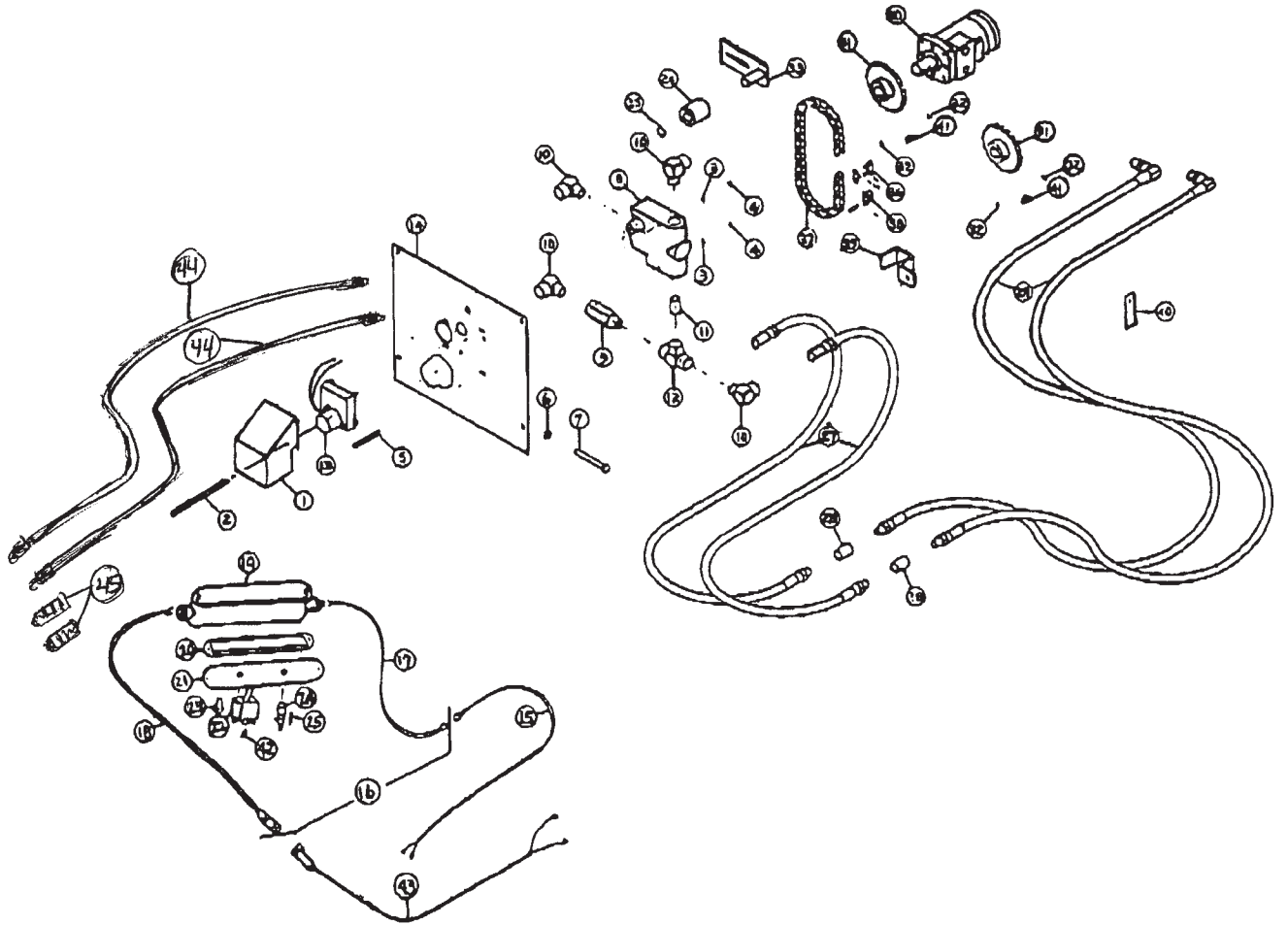


FIGURE 13

OPTIONAL ELECTRIC CONTROL FOR HYDRAULIC DRIVE

| <u>ITEM</u> | <u>PART #</u> | <u>DESCRIPTION</u> |
|--------------------|----------------------|---------------------------|
| 1 | 43H1 | MOTOR SHIELD HOLDER |
| 2 | 43H3 | SHIELD BOLT |
| 3 | YWLO08005 | LOCKWASHER, 1/4" |
| 4 | YNTL08005 | TOP LOCK NUT, 1/4" |
| 5 | YBCR08025 | CARR. BOLT, 1/4" X 2 1/2 |
| 6 | YNTL12005 | TOP LOCK NUT, 3/8" |
| 7 | 43H5 | FLOW INDICATOR |
| 8 | DF15A | FLOW CONTROL |
| 9 | DF18 | CHECK VALVE |
| 10 | HE58 | ELBOW |
| 11 | DF4 | NIPPLE |
| 12 | DF8 | TEE |
| 13 | 16SV246 | GEAR MOTOR |
| 14 | 23N133 | CONTROL PANEL |
| 15 | 16SV272 | SPREADER CONTROL CORD |
| 16 | 16SV321 | CONTROL END COMPLETE |
| 17 | 16SV270 | TRACTOR POWER SUPPLY |
| 18 | 16SV271 | CONTROL BOX POWER SUPPLY |
| 19 | 16SV316 | CONTROL BOX |
| 20 | 16SV317 | CONTROL BOX GASKET |
| 21 | 16SV318 | CONTROL BOX COVER |
| 22 | 16SV319 | APRON SPEED SWITCH |
| 23 | 16SV235 | FLOW CONTROL SWITCH BOOT |
| 24 | 16SV231 | FUSE HOLDER |
| 25 | 16SV232 | FUSE 5 AMP (AGC-5) |
| 26 | HE12 | HOSE EXTENSION |
| 27 | 31N23 | 3/8" COUPLING |
| 28 | 23N132 | HYDRAULIC MOTOR HOSE |
| 29 | DF1 | HYDRAULIC MOTOR |
| 30 | 11S19 | DRIVE SPROCKET |
| 31 | YSKP10010 | SETSCREW(5/16"-18) |
| 32 | L10R35 | TIGHTENER BRACKET |
| 33 | 23N238 | TIGHTENER ROLLER |
| 34 | 10R32 | SNAP RING |
| 35 | X61 | #50 CHAIN CONNECTOR |
| 36 | 23N131 | #50 CHAIN 40 Pitches |
| 37 | X60 | #50 CHAIN OFFSET |
| 38 | HE14 | HOSE BRACKET |
| 39 | 23N117 | HOSE HOLDER |
| 40 | 5B10 | 1/4" x 1" WOODRUFF KEY |
| 41 | YBHH12055 | BOLT, 3/8" X 1 3/4" |
| 42 | 16SV269 | TRACTOR POWER SUPPLY CORD |
| 43 | 23N309 | HYDRAULIC HOSE |
| 45 | DWM205 | MALE HYDRAULIC TIP |

H&S MFG. CO.

products approved

for the

FEMA

SEAL OF QUALITY

