

H&S PARTS BOOK

1125 GROUND DRIVE MANURE SPREADER



Revision #02

Starting Ser. #021GD25021

HSMFG0720

PART#72936

Manufactured by
H&S MANUFACTURING CO., INC.
2608 S. HUME AVE. MARSHFIELD, WI 54449
(715) 387-3414 | hsmfgco.com



CONTENTS

Instructions for Ordering Parts - About Improvements	1
Figure 1 - Main Frame & Components	2-5
Figure 2 - Rear Pan (Optional)	6-7
Parts Notes	8

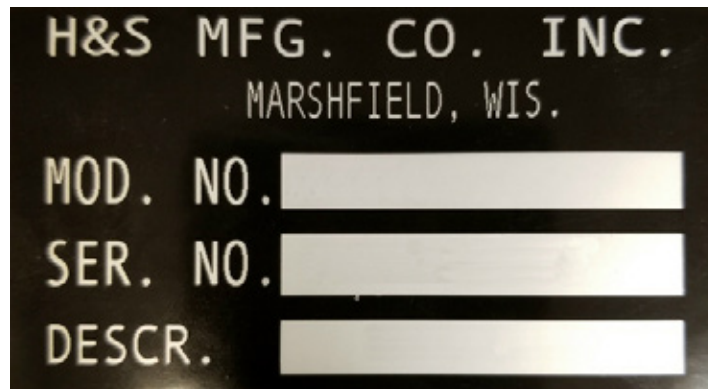
INSTRUCTIONS FOR ORDERING PARTS

All service parts should be ordered through your authorized H&S dealer. He will be able to give you faster service if you will provide them with the following:

1. Model & Serial Number - Both can be located on the left front of your unit.
2. All references to left or right apply to the machine as viewed from the rear.
3. Parts should not be ordered from illustration only. Please order complete part number.
4. If your dealer has to order parts - give shipping instructions:

VIA truck - large pieces (please specify local truck lines)

VIA United Parcel Service (include full address)



PLEASE RECORD NUMBERS FOR YOUR UNIT FOR QUICK REFERENCE

ABOUT IMPROVEMENTS

H&S IS CONTINUALLY STRIVING TO IMPROVE IT'S PRODUCTS

We must therefore, reserve the right to make improvements or changes whenever it becomes practical to do so, without incurring any obligation to make changes or additions to the equipment previously sold.

FIGURE 1 **MAIN FRAME & COMPONENTS**

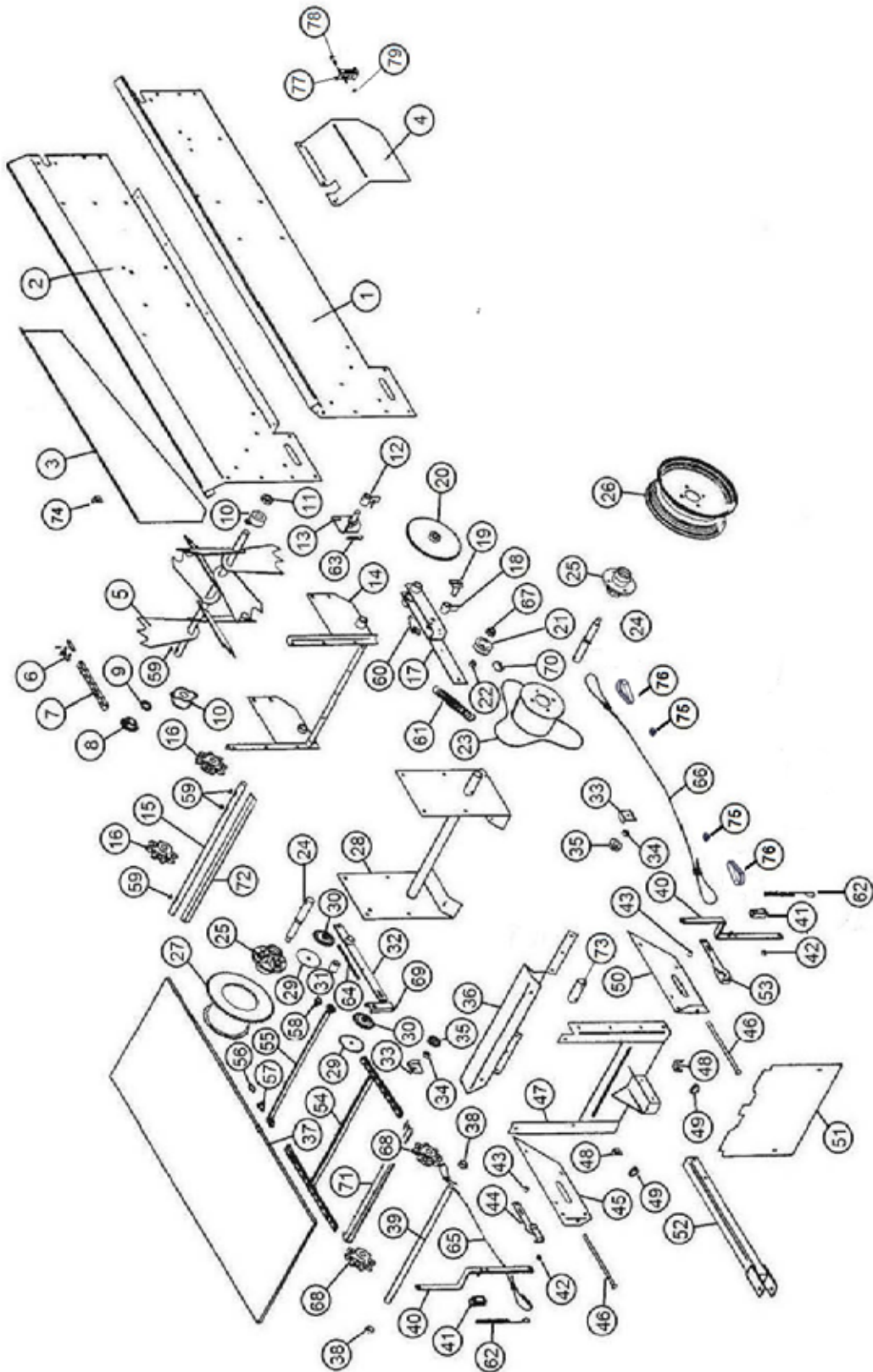


FIGURE 1

MAIN FRAME & COMPONENTS

<u>ITEM</u>	<u>QTY</u>	<u>PART#</u>	<u>DESCRIPTION</u>
1	1	25G18	SPREADER SIDE LH
2	1	25G19	SPREADER SIDE RH
3	1	25G20	BEATER DRIVE SHIELD
4	1	25G17	RATCHET SHIELD
5	1	25G6	BEATER
6	1	X61	CONNECTOR LINK #50
7	1	25G38	ROLLER CHAIN, #50 (147 P)
8	1	4C4	AUGER DRIVE SPROCKET (13T)
9	1	X28	SPACER
10	2	25G51	BEATER BEARING W/FLANGES
11	1	L4C4	COLLAR
12	1	25G13	HOLDING DOG
13	1	25G12	DOG PLATE
14	1	25G9	BACK BRACKET
15	1	25G29	APRON SHAFT
16	2	LI0R24	CROSS APRON SPROCKET
17	1	25G7	CAM
18	1	5N51	DRIVE DOG W/45 DEGREE ZERK
19	1	5N26	DOG PIN
20	1	25G10	RATCHET GEAR
21	1	25G66	CAM ROLLER
*	2	25G67	CAM ROLLER COMPLETE
22	1	23N94	SPACER
23	1	25G4	HUB
24	2	25G30	SPINDLE
25	2	25G40	HUB W/RACES (ROAD WHEELS)
*	2	BFR273	SEAL
*	2	BFR274	TAPERED BEARING
*	2	BFR275	RACE
*	4	25G42	STUD BOLT, 1/2 X 2-1/8 G5
*	8	CAT14	WHEEL NUT, 1/2
*	2	YNSL24010	NUT HEX, SLOTTED, 3/4
*	2	CAT46	HUB CAP
*	2	YWFL24010	WASHER FLAT, 3/4
*	2	YPCT05015	COTTER PIN, 5/32 X 1-1/4
*	4	YBSD16018	BOLT STUD, 1/2 X 2-1/8 G5
*	2	RG21	GREASE ZERK, 45 DEGREE
	2	78852	HUB COMPLETE
26	2	BFR280A	WHEEL
*	2	25G43	TIRE
27	2	25G5	HUB RH
28	1	25G3	AXLE
29	2	25G22	CHAIN WASHER
30	2	K101	SPROCKET (17T)
31	1	25G31	PIVOT BUSHING
32	1	25G8	ENGAGEMENT ARM

***MEANS NOT SHOWN**

FIGURE 1 MAIN FRAME & COMPONENTS

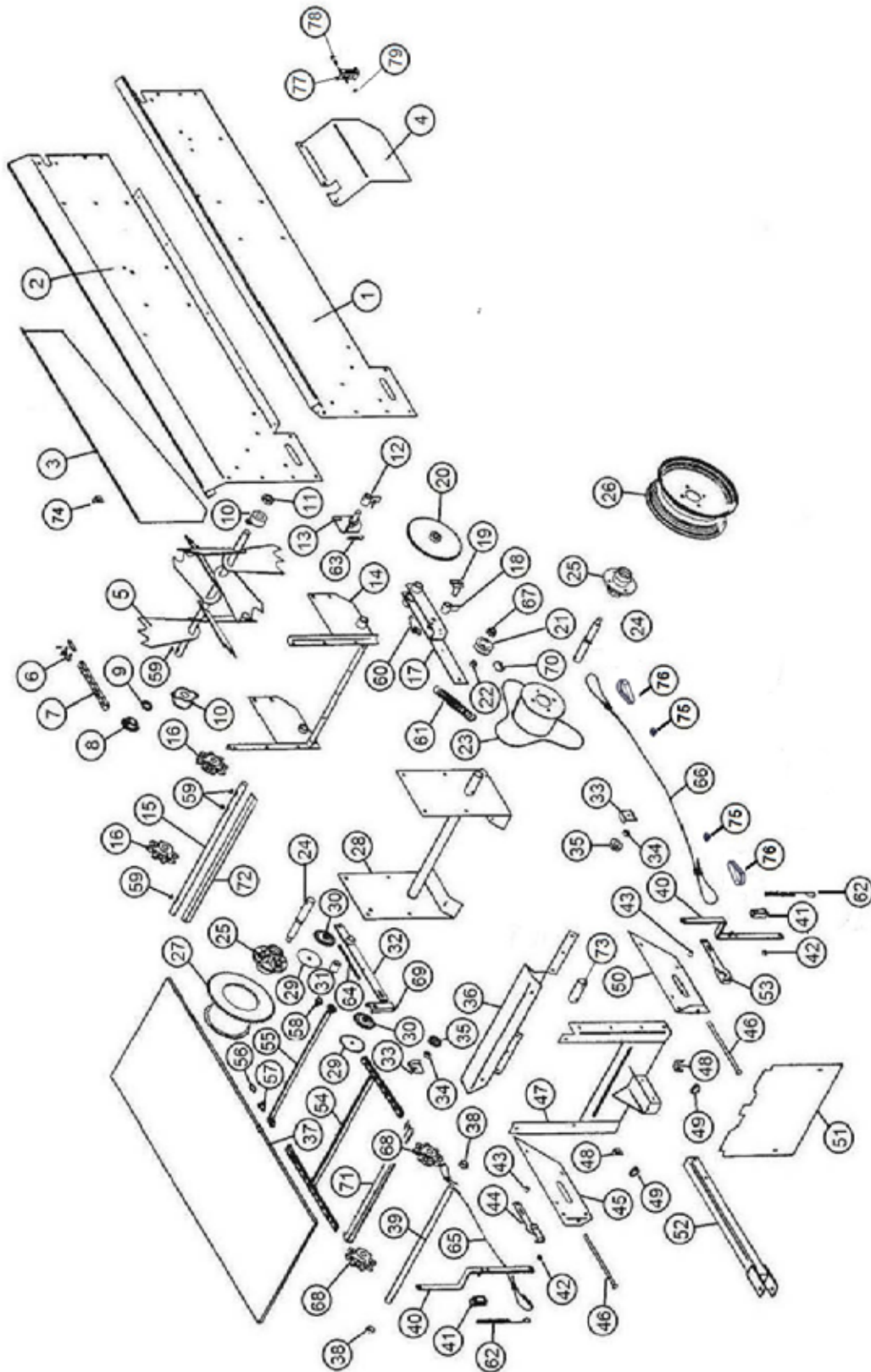


FIGURE 1

MAIN FRAME & COMPONENTS

<u>ITEM</u>	<u>QTY</u>	<u>PART#</u>	<u>DESCRIPTION</u>
33	2	25G21	PULLEY MOUNT
34	2	ST81	SPACER
35	2	BFR292	POLY PULLEY
36	1	25G16	MAIN PANEL, FRONT
37	1	25G36	FLOOR
38	2	K132	SPACER
39	1	25G28	SHAFT, FRONT
40	1	25G11	CONTROL HANDLE
41	1	23N282	SHIFTER DOG
42	1	ST77	SPACER
43	2	S70	SPACER
44	4	25G14	CONTROL BAR RH
45	1	25G24	CHAIN TIGHTENER RH
46	2	YBHH12250	BOLT HEX, 3/8 X 9
47	1	25G2	SUPPORT, FRONT
48	2	R26	SHIELD ANGLE
49	2	S122	LANYARD, W/CLIP PIN CABLE
50	1	25G23	CHAIN TIGHTENER LH
51	1	25G34	POLY SHIELD, FRONT
52	1	25G1	POLE
53	1	25G15	CONTROL BAR LH
54	1	25G46	APRON CHAIN COMPLETE #55
55	1	25G47	APRON SLAT W/ATTACHMENT LINKS #55
56	1	25G48	CONNECTOR LINK #55
57	1	25G49	ATTACHMENT LINK #55 RH
58	1	25G50	ATTACHMENT LINK #55 LH
59	4	5B10	WOODRUFF KEY, 1/4 X 1
60	1	23N186	DOG SPRING
61	1	K103	SPRING-ROPE RETURN
62	1	23N284	SHIFTER DOG SPRING
63	1	12R3	RATCHET DOG SPRING
64	1	25G41	SPRING
65	1	25G44	CABLE 47 IN
66	1	25G45	CABLE 62 IN
67	1	12V52	BEARING ONLY
*	2	25G54	BEARING SPACER
68	2	L10R20	IDLER SPROCKET (6T)
69	1	25G53	CHAIN GUIDE
70	1	25G68	SNAP RING
71	1	25G65	FLOOR PROTECTOR, FRONT
72	1	25G64	FLOOR PROTECTOR, REAR
73	1	S522	MANUAL HOLDER
74	1	YNPC12005	NUT, PANEL CAGE, 3/8
75	2	BFR220	CLAMP
76	2	ES14	THIMBLE
77	1	F97	SMV BRACKET
78	2	YBCR10003	BOLT CARRIAGE, 5/16-18 X 5/8 G2 ZC
79	2	YNFG10005	NUT FLANGE, 5/16 GF

***MEANS NOT SHOWN**

FIGURE 2
REAR PAN (OPTIONAL)

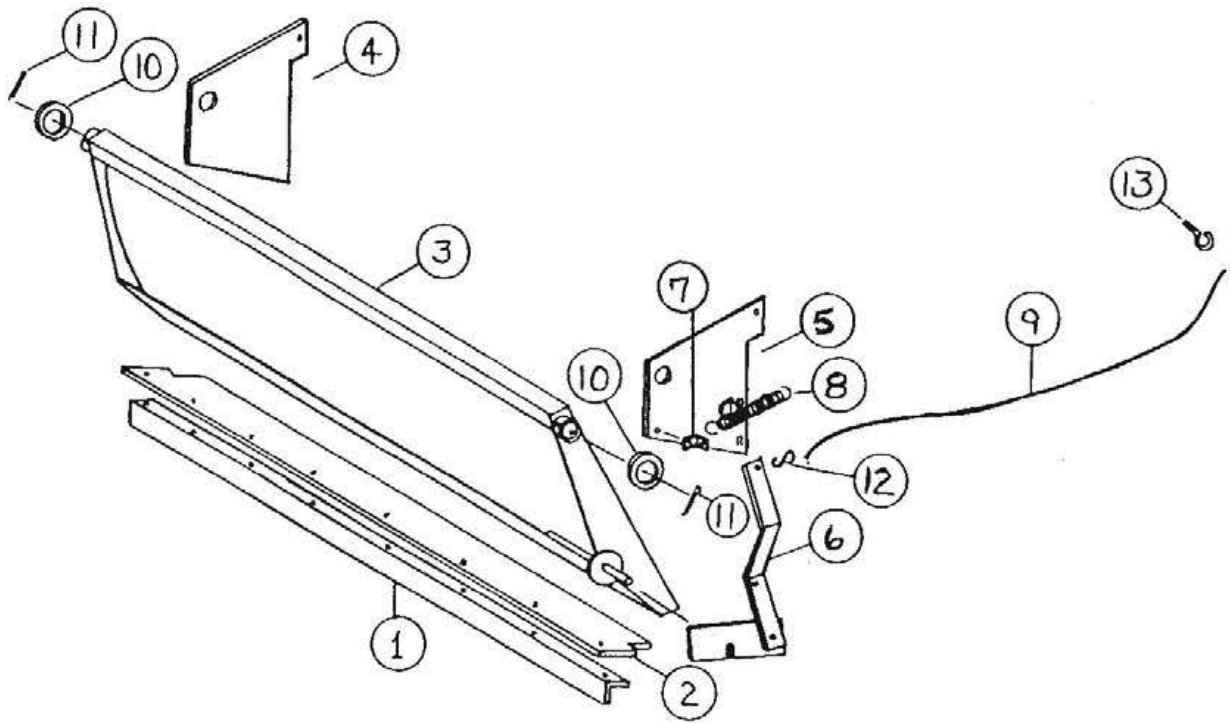


FIGURE 2
REAR PAN (OPTIONAL)

<u>ITEM</u>	<u>QTY</u>	<u>PART#</u>	<u>DESCRIPTION</u>
1	1	25G59	PAN ANGLE
2	1	25G61	PAN RUBBER
3	1	25G56	PAN
4	1	25G60	PAN BRACKET LH
5	1	25G57	PAN BRACKET RH
6	1	25G58	PAN HANDLE
7	1	R26	SPING ANGLE
8	1	R27	PAN HANDLE SPRING
9	1	25G62	TRIP ROPE
10	2	R3	PAN SPACER
11	2	YPCT06020	COTTER PIN, 3/16 X 2
12	1	R31	S HOOK
13	1	YBTE08005	TURNED EYE BOLT, 1/4 X 1

H&S MFG. CO.

products approved

for the

FEMA

SEAL OF QUALITY

