

H&S PARTS BOOK

1150 GROUND DRIVE MANURE SPREADER



Revision #02

Starting Ser. #021GD50031

HSMFG0620

PART #72937

Manufactured by
H&S MANUFACTURING CO., INC.
2608 S. HUME AVE. MARSHFIELD, WI 54449
(715) 387-3414 | hsmfgco.com



CONTENTS

Instructions for Ordering Parts - About Improvements	1
Figure 1 - Main Frame & Components	2-5
Figure 2 - Rear Pan (Optional)	6-7
Parts Notes	8

INSTRUCTIONS FOR ORDERING PARTS

All service parts should be ordered through your authorized H&S dealer. He will be able to give you faster service if you will provide them with the following:

1. Model & Serial Number - Both can be located on the front center of the main cross channel.
2. All references to left or right apply to the machine as viewed from the rear.
3. Parts should not be ordered from illustration only. Please order complete part number.
4. If your dealer has to order parts - give shipping instructions:

VIA truck - large pieces (please specify local truck lines)

VIA United Parcel Service (include full address)



PLEASE RECORD NUMBERS FOR YOUR UNIT FOR QUICK REFERENCE

ABOUT IMPROVEMENTS

H&S IS CONTINUALLY STRIVING TO IMPROVE IT'S PRODUCTS

We must therefore, reserve the right to make improvements or changes whenever it becomes practical to do so, without incurring any obligation to make changes or additions to the equipment previously sold.

FIGURE 1 MAIN FRAME & COMPONENTS

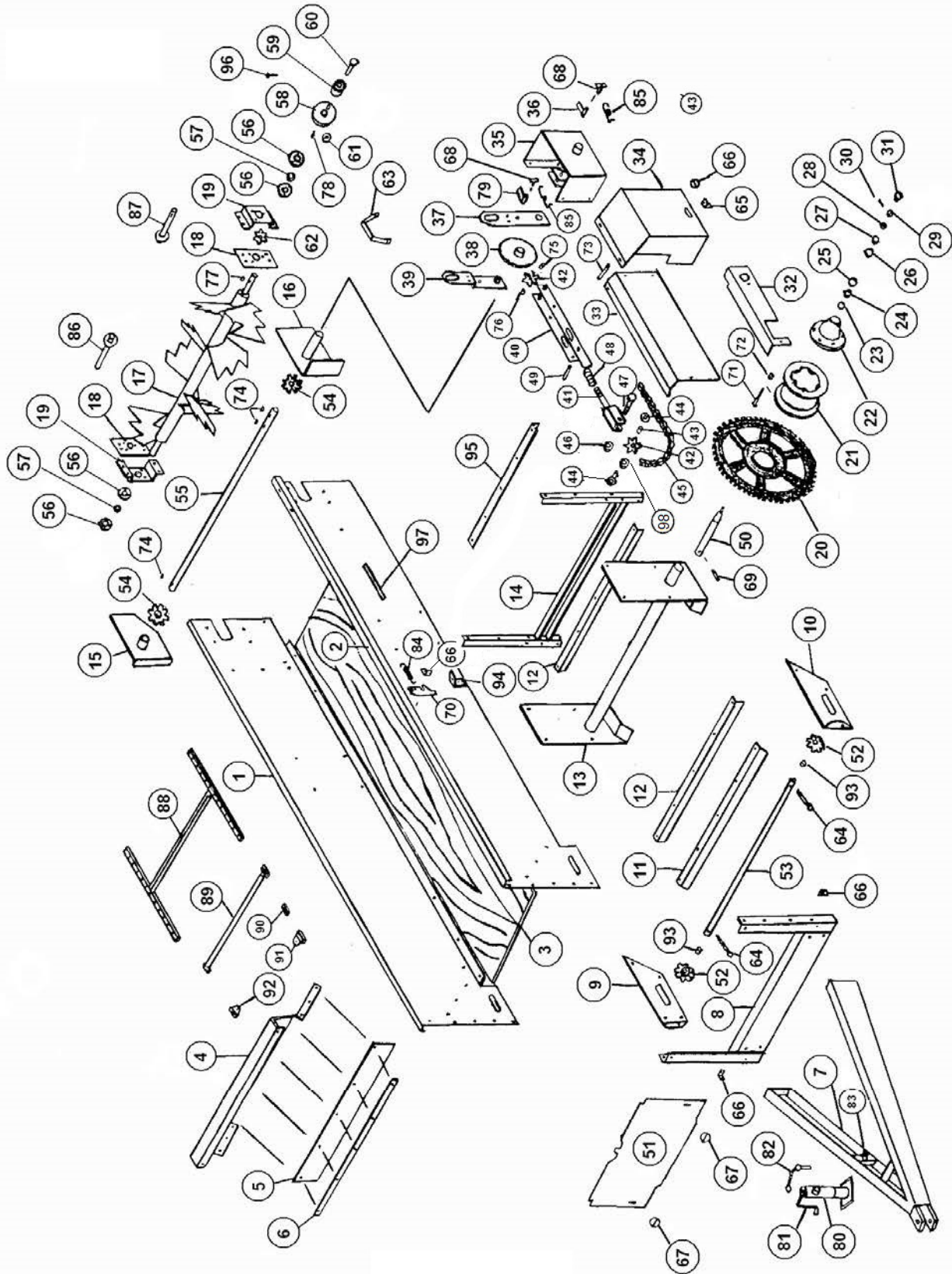


FIGURE 1

MAIN FRAME & COMPONENTS

<u>ITEM</u>	<u>QTY</u>	<u>PART#</u>	<u>DESCRIPTION</u>
1	1	5N2	TUB SIDE RH
2	1	5N1	TUB SIDE LH
3	1	5N70	FLOOR
4	1	5N5	PANEL, FRONT
5	1	5N45	PANEL RUBBER, FRONT
6	1	5N44	STRAP
7	1	5N6	POLE W/DECALS
8	1	5N10	SUPPORT, FRONT
9	1	5N8	APRON CHAIN TIGHTENER RH
10	1	5N9	APRON CHAIN TIGHTENER LH
11	1	5N7	SHAFT COVER, FRONT
12	2	5N4	FLOOR BRACE
13	1	5N15	AXLE
14	1	5N3	SUPPORT, REAR
15	1	5N11	DRIVE SHAFT BRACKET RH
16	1	5N12	DRIVE SHAFT BRACKET LH
17	1	5N18	BEATER
18	2	5N49	BEATER MOUNT SEAL
19	2	5N16	BEATER BRACKET
20	1	87523	SPROCKET
21	2	87708	HUB DRUM
22	2	5N72	WHEEL HUB
23	2	BFR57	SEAL
24	2	17G145	INNER BEARING
25	2	17G146	OUTER RACE
26	2	BFR61	OUTER RACE
27	2	BFR62	OUTER BEARING
28	2	YWFL28010	WASHER FLAT, 7/8
29	2	YNSL24010	NUT HEX, SLOTTED, 3/4
30	2	YPCT05010	COTTER PIN, 5/32 X 1-1/2
31	2	BFR66	HUB CAP
32	1	5N39	ROTARY SHIELD
33	1	5N33	STATIONARY SHIELD
34	1	5N32	SHIELD, REAR
35	1	5N17	APRON MECHANISM COVER LH
36	1	5N20	HOLDING DOG
37	1	5N13	RECIPROCATOR FACE
38	1	5N21	RATCHET GEAR
39	1	5N14	RECIPROCATING ARM
40	1	5N28	PIVOT ARM
41	1	5N27	IDLER SPRING BRACKET
42	2	86075	IDLER SPROCKET
43	2	86072	SLIDING IDLER SPACER
44	1	YWFL24005	WASHER FLAT, 3/4
45	1	5N57	DRIVE CHAIN
46	1	YNNJ24005	NUT HEX, LOCKNUT, 3/4
47	1	YBHH24055	BOLT HEX, 3/4 X 3-1/2 G5
48	1	S109	SPRING
49	1	5N34	PIVOT ARM SPACER
50	2	5N61	SPINDLE

FIGURE 1 MAIN FRAME & COMPONENTS

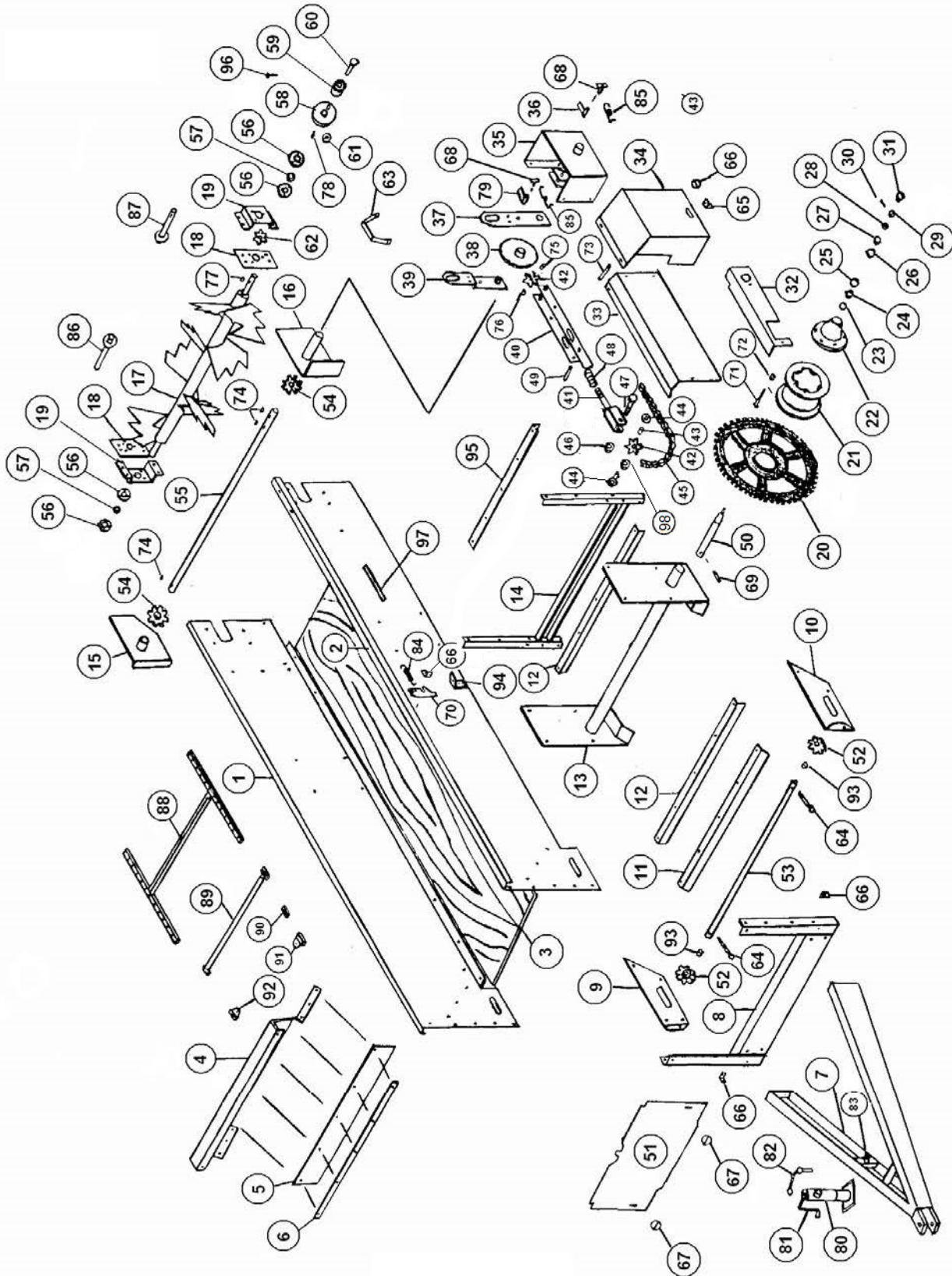


FIGURE 1

MAIN FRAME & COMPONENTS

<u>ITEM</u>	<u>QTY</u>	<u>PART#</u>	<u>DESCRIPTION</u>
51	1	5N54	SHIELD, FRONT
52	2	L10R20	IDLER SPROCKET (8T)
53	1	5N22	APRON SHAFT FRONT
54	2	5N42	APRON DRIVE SPROCKET
55	1	5N25	APRON DRIVE SHAFT
56	4	4C7	FLANGE
57	2	4C8	BEARING W/LOCK COLLAR
58	2	5N23	BEATER CAM HUB
59	1	T66	CAM BEARING
60	1	YBHH20035	BOLT HEX, 5/8 X 2-1/2 G5
61	1	YNSF20005	NUT FLANGE, 5/8
62	1	5N76	BEATER SPROCKET (6T)
63	1	5N50	BEATER MOUNT RE-ENFORCEMENT
64	2	YBHH16190	BOLT HEX, 1/2 X 9-1/2 6-3/4
65	1	5N53	BACK SHIELD ANGLE
66	4	R26	SHIELD ANGLE, FRONT
67	2	S122	LANYARD, CLIP PIN CABLE
68	2	5N26	DOG PIN
69	2	YBHH12120	BOLT HEX, 3/8 X 3 G5
70	1	5N35	LATCH
71	12	YBSD16005	STUD BOLT, 1/2 X 1-7/8
72	12	YNWL16005	WHEEL NUT, 1/2
73	1	5N36	SHIELD SPACER
74	3	G12	WOODRUFF KEY, 5/16 X 1
75	1	86074	OUTSIDE BUSHING
76	1	86073	INSIDE BUSHING
77	1	5B10	WOODRUFF KEY, 1/4 X 1
78	1	S135	SQUARE KEY, 1/4 X 1-1/4
79	1	5N51	DRIVE DOG
80	1	5N77	JACK
81	1	5N78	JACK HANDLE
82	1	12N117	JACK PIN & CHAIN
83	1	12N120	JACK MOUNT
84	1	12R3	SPRING
85	2	23N186	DOG SPRING
86	1	5N58	BEATER STUB SHAFT RH
87	1	5N59	BEATER STUB SHAFT LH
88	1	5N47	APRON CHAIN #62
89	1	5N48	SLAT W/ATTACHMENT LINK #62
90	1	L10R33	CONNECTOR LINK #62
91	1	L10R37	ATTACHMENT LINK #62 LH
92	1	L10R38	ATTACHMENT LINK #62 RH
93	2	5N24	APRON SHAFT SPACER, FRONT
94	1	ST33	ANGLE
95	1	5N69	DRIVE SHAFT COVER
96	1	YBHH10080	BOLT HEX, 5/16 X 2-1/2 G5
97	1	5N73	EDGE GUARD, 1/8
*	2	5N46	TIRE-TRACTOR LUG
*	2	5N63	WHEEL 15 X 6
98	1	12V52	BEARING

***MEANS NOT SHOWN**

FIGURE 2
REAR PAN (OPTIONAL)

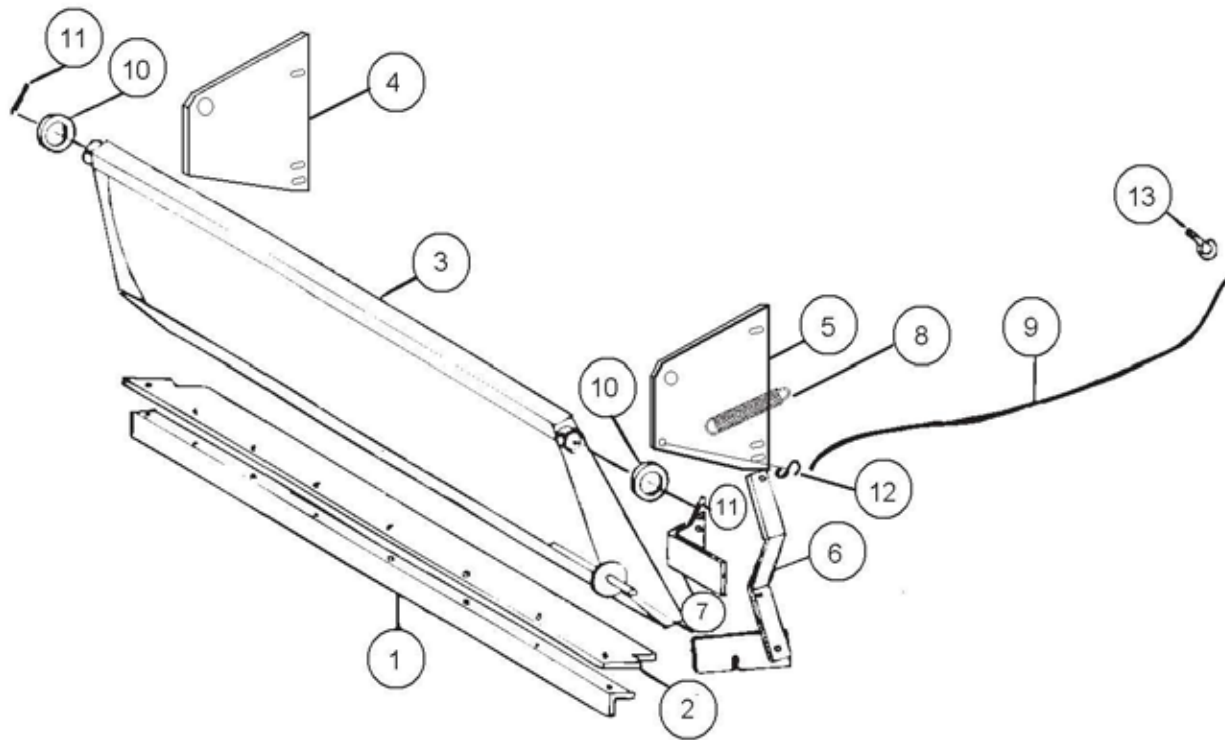


FIGURE 2
REAR PAN (OPTIONAL)

<u>ITEM</u>	<u>QTY</u>	<u>PART#</u>	<u>DESCRIPTION</u>
1	1	5N64	PAN ANGLE
2	1	5N65	PAN RUBBER
3	1	5N66	PAN
4	1	80N2	PAN BRACKET LH
5	1	80N3	PAN BRACKET RH
6	1	5N67	PAN HANDLE
7	1	80N82	PAN HANDLE STOP
8	1	R27	PAN HANDLE SPRING
9	1	80N6	TRIP ROPE
10	2	R3	PAN SPACER
11	2	YPCT06020	COTTER PIN, 3/16 X 2
12	1	R31	S HOOK
13	2	YBTE12005	TURNED EYE BOLT, 3/8 X 1

CHANGE NOTES

1. REPLACE 5N56 WITH 86075, REPLACE 5N31 WITH 86072, REPLACE 5N29 WITH 86074, REPLACE 5N30 WITH 86073 AND ADDED ITEM 98 12V52 IN FIGURE 1.
2. Figure 2 - Replace 5N46 with 87523, Replace 5N71 with 87708

H&S MFG. CO.

products approved

for the

FEMA

SEAL OF QUALITY

