

# H&S

## PARTS BOOK

# 1180 GROUND DRIVE SPREADER



Revision #02  
Starting Ser. #811GD80057

PART#72938  
HSMFG0218

2608 S. HUME AVE., MARSHFIELD, WI 54449  
(715) 387-3414 FAX (715) 384-5463  
[www.hsmfgco.com](http://www.hsmfgco.com)

# **CONTENTS**

Instructions for Ordering Parts - About Improvements .....	1
Figure 1 - Main Frame & Components .....	2-5
Figure 2 - Rear Pan (Optional) .....	6-7
Parts Notes .....	8

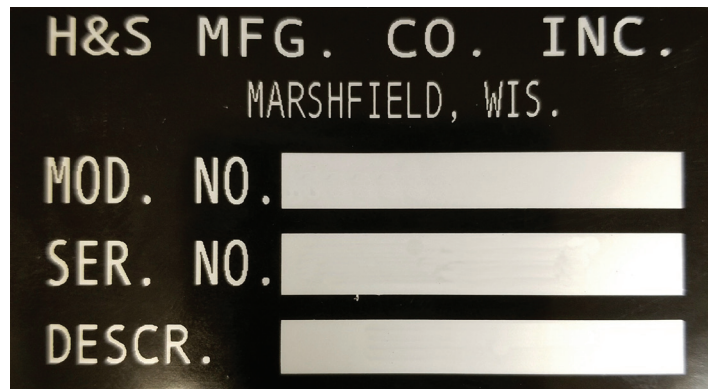
# **INSTRUCTIONS FOR ORDERING PARTS**

All service parts should be ordered through your authorized H&S dealer. He will be able to give you faster service if you will provide them with the following:

1. Model & Serial Number - Both can be located on the side of the center bearing post above jack mount.
2. All references to left or right apply to the machine as viewed from the rear.
3. Parts should not be ordered from illustration only. Please order complete part number.
4. If your dealer has to order parts - give shipping instructions:

VIA truck - large pieces (please specify local truck lines)

VIA United Parcel Service (include full address)



H&S MFG. CO. INC.  
MARSHFIELD, WIS.

MOD. NO.

SER. NO.

DESCR.

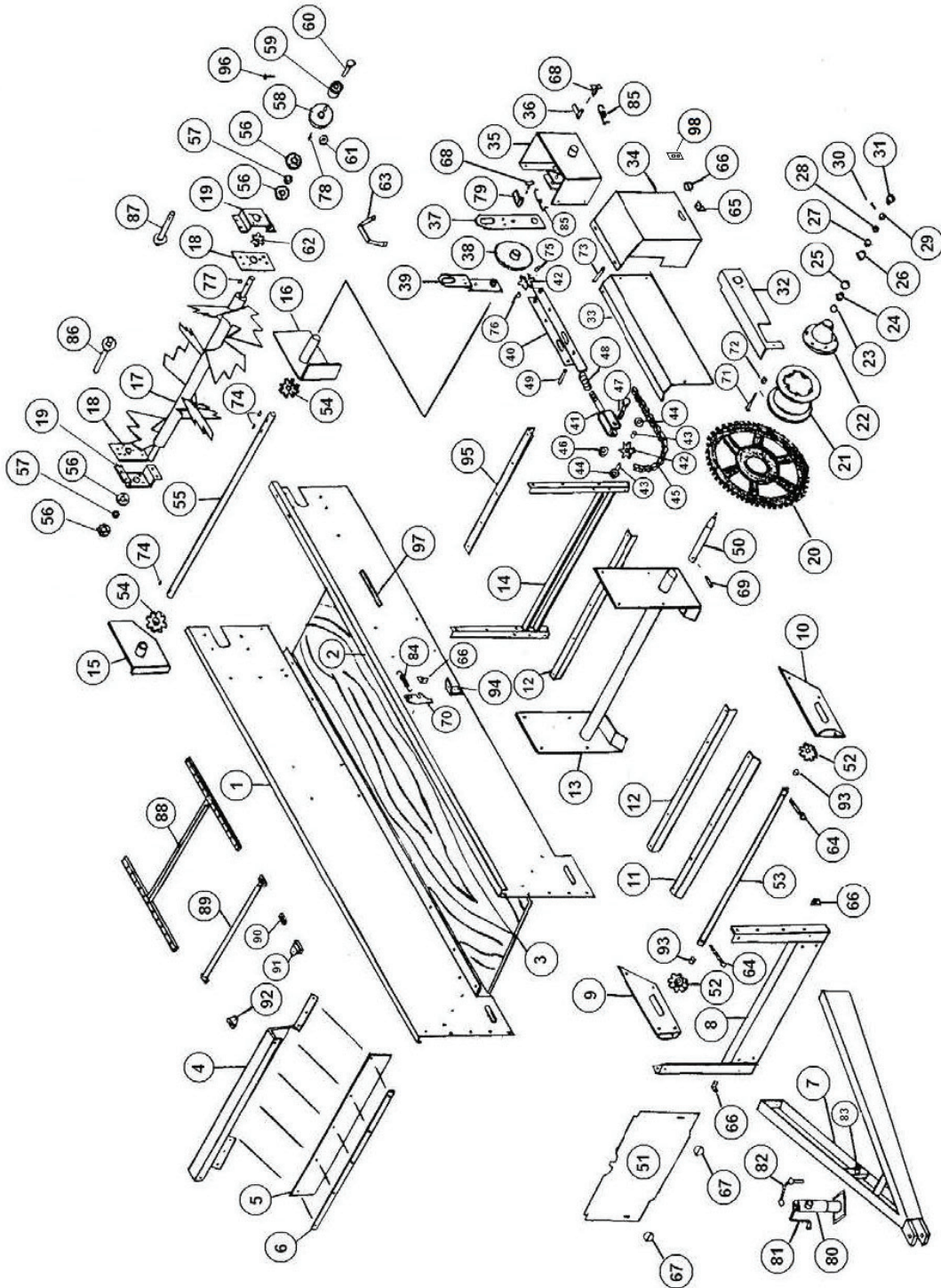
PLEASE RECORD NUMBERS FOR YOUR UNIT FOR QUICK REFERENCE

## **ABOUT IMPROVEMENTS**

H&S IS CONTINUALLY STRIVING TO IMPROVE IT'S PRODUCTS

We must therefore, reserve the right to make improvements or changes whenever it becomes practical to do so, without incurring any obligation to make changes or additions to the equipment previously sold.

# FIGURE 1 MAIN FRAME & COMPONENTS



# FIGURE 1

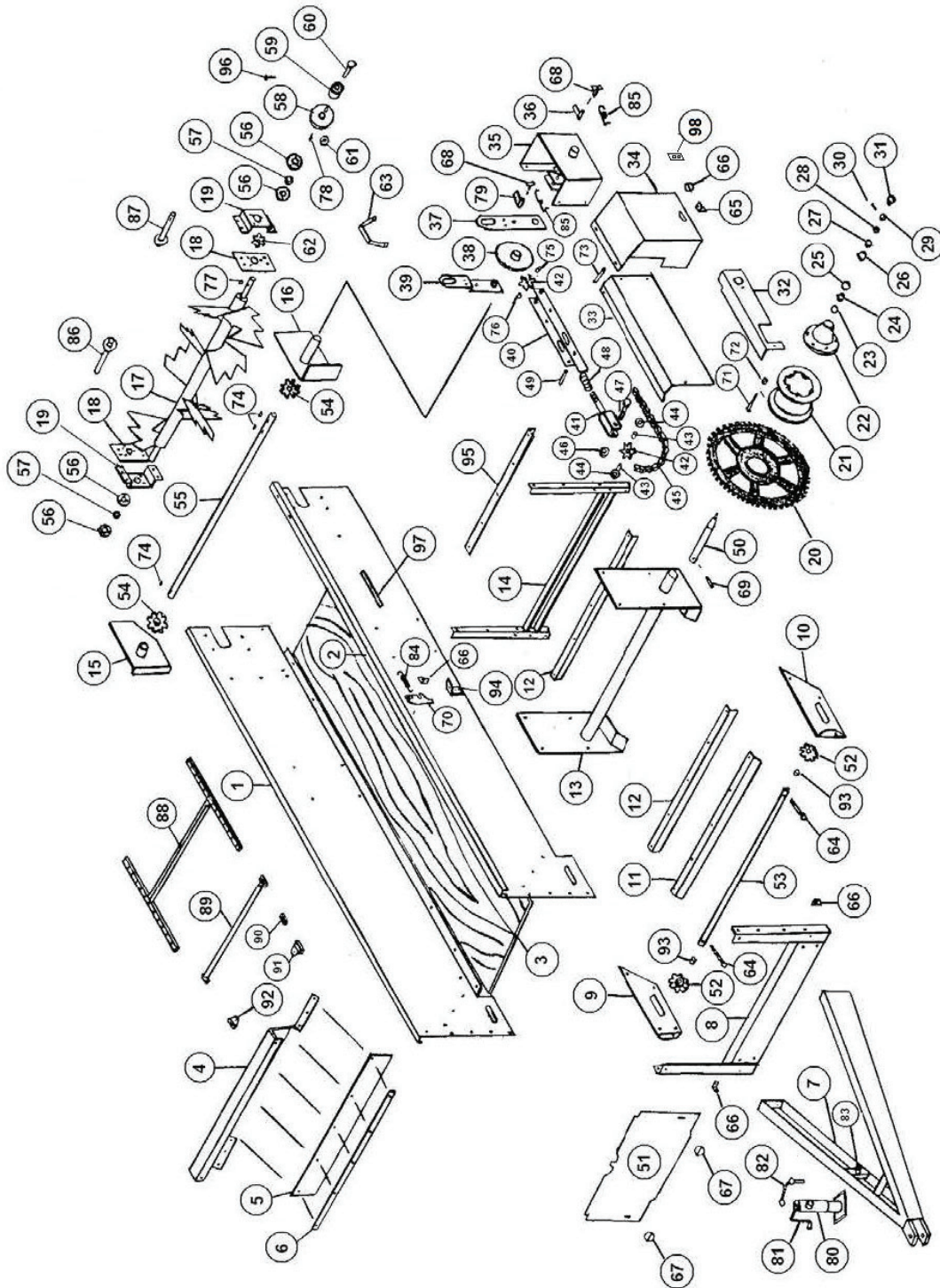
## MAIN FRAME & COMPONENTS

<u>ITEM</u>	<u>QTY</u>	<u>PART#</u>	<u>DESCRIPTION</u>
1	1	5N2	TUB SIDE RH
2	1	5N1	TUB SIDE LH
3	1	80G20	FLOOR
4	1	80G2	PANEL FRONT
5	1	12N69	PANEL RUBBER, FRONT
6	1	80N66	STRAP
7	1	70996	FRONT POLE W/DECALS
8	1	80G3	SUPPORT, FRONT
9	1	5N8	APRON CHAIN TIGHTENER RH
10	1	5N9	APRON CHAIN TIGHTENER LH
11	1	80G4	SHAFT COVER, FRONT
12	2	80G5	FLOOR BRACE
13	1	80G6	AXLE
14	1	80G7	SUPPORT REAR
15	1	80G8	DRIVE SHAFT BRACKET RH
16	1	80G9	DRIVE SHAFT BRACKET LH
17	1	80G10	BEATER
18	2	80G11	BEATER MOUNT SEAL
19	2	5N16	BEATER BRACKET
20	1	5N40	SPROCKET (41T)
21	2	80G12	HUB DRUM
22	2	81303	WHEEL HUB
*	6	69983	TIRE ON 15 X 6 RH
*	6	69990	TIRE ON 15 X 6 LH
*	2	5N46	TIRE-TRACTOR LUG
*	2	RG127	WHEEL 15 X 6
23	2	12N17	SEAL
24	2	12N18	INNER BEARING
25	2	12N19	INNER RACE
26	2	17G145	OUTER RACE
27	2	17G146	OUTER BEARING
28	2	YWFL28010	WASHER FLAT, 7/8
29	2	YNSL28005	HEX NUT SLOTTED, 7/8
30	2	YPCT05020	COTTER PIN, 5/32 X 1-3/4
31	2	17G144	HUB CAP
32	1	5N39	ROTARY SHIELD
33	1	5N33	STATIONARY SHIELD
34	1	5N32	SHIELD W/DECALS
35	1	5N17	APRON MECHANISM COVER LH
36	1	5N20	HOLDING DOG W/ STRAIGHT ZERK
37	1	5N13	RECIPROCATOR FACE
38	1	5N21	RATCHET GEAR
39	1	5N14	RECIPROCATING ARM
40	1	5N28	PIVOT ARM
41	1	5N27	IDLER SPRING BRACKET
42	2	5N56	IDLER SPROCKET
43	1	5N31	SLIDING IDLER SPACER
44	2	YWFL24005	WASHER FLAT, 3/4
45	1	5N57	CHAIN
46	1	YNNJ24005	NUT JAM, 3/4 G2
47	1	YBHH24055	BOLT HEX, 3/4 X 3-1/2 G5
48	1	S109	SPRING
49	1	5N34	PIVOT ARM SPACER
50	2	12N16	SPINDLE

\*MEANS NOT SHOWN

# FIGURE 1

## MAIN FRAME & COMPONENTS



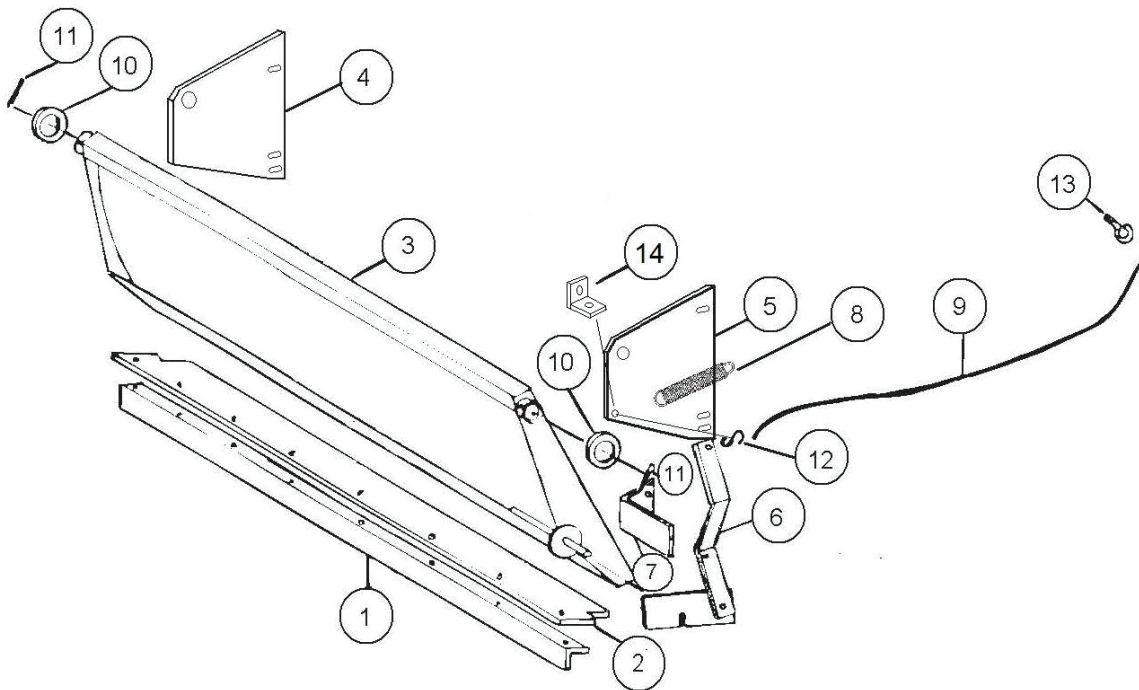
# FIGURE 1

## MAIN FRAME & COMPONENTS

<u>ITEM</u>	<u>QTY</u>	<u>PART#</u>	<u>DESCRIPTION</u>
51	1	80G14	POLY SHIELD W/DECALS
52	2	12N65	IDLER SPROCKET (6T)
53	1	12N67	APRON SHAFT FRONT
54	2	80N63	APRON DRIVE SPROCKET (6T)
55	1	80G16	APRON DRIVE SHAFT
56	4	4C7	FLANGE
57	2	4C8	BEARING WITH LOCK COLLAR
58	1	5N23	BEATER CAM HUB
59	1	T66	CAM BEARING
60	1	YBHH20035	BOLT HEX, 5/8 X 2-1/2 G5
61	1	YNFG20005	NUT HEX, FLANGED LOCK, 5/8
62	1	5N76	BEATER SPROCKET (6T)
63	1	5N50	BEATER MOUNT RE-ENFORCEMENT
64	2	YBCR16040	BOLT CARRIAGE , 1/2 X 3-1/2 G5
65	1	5N53	BACK SHIELD ANGLE
66	3	R26	SPRING BRACKET
67	2	S122	LANYARD, CLIP PIN CABLE
68	1	5N26	DOG PIN
69	2	YBHH16120	BOLT HEX 1/2 X 3-1/4 G5
70	1	5N35	LATCH
71	6	YBSD16018	BOLT STUD, 1/2 X 2-1/8
*	6	YBSD16005	BOLT STUD, 1/2 X 1-7/8 X 3/8 G5 HUB
*	2	RG254	ASSEMBLY
72	12	YNWL16005	WHEEL NUT, 1/2
73	1	5N36	SHIELD SPACER
74	3	G12	WOODRUFF KEY, 5/16 X 1 OUTSIDE
75	1	5N29	BUSHING
76	1	5N30	INSIDE BUSHING
77	1	5B10	WOODRUFF KEY 1/4 X 1
78	1	S135	SQUARE KEY, 1/4 X 1-1/4
79	1	5N51	DRIVE DOG W/ 45 DEGREE ZERK
80	1	12N116	JACK
81	1	12N119	JACK HANDLE
82	1	12N117	JACK PIN
83	1	12N121	JACK MOUNT
84	1	12R3	SPRING
85	1	23N186	DOG SPRING
86	1	80G17	BEATER STUB SHAFT RH
87	1	80G18	BEATER STUB SHAFT LH
88	1	80G19	APRON CHAIN #67H
89	1	80N62	SLAT W/ ATTACHMENT LINK #67H
90	1	11S25	CONNECTOR LINK #67H
91	1	11S23	ATTACHMENT LINK #67H LH
92	1	11S24	ATTACHMENT LINK #67H RH
93	2	12N66	IDLER SPACER
94	1	ST33	TIGHTENER
95	1	80G063	FLOOR BRACE LARGE, REAR BOLT
96	1	YBHH10080	HEX, 5/16 X 2-1/2 G5
97	1	5N73	EDGE GUARD, 1/8
98	1	F97	SMV BRACKET
*	1	S522	MANUAL HOLDER

\*MEANS NOT SHOWN

**FIGURE 2**  
**REAR PAN (OPTIONAL)**





**FIGURE 2**  
**REAR PAN (OPTIONAL)**

<b><u>ITEM</u></b>	<b><u>QTY</u></b>	<b><u>PART#</u></b>	<b><u>DESCRIPTION</u></b>
1	1	12N52	PAN ANGLE
2	1	12N53	PAN RUBBER
3	1	80N1	PAN
4	1	80N2	PAN BRACKET LH
5	1	80N3	PAN BRACKET RH
6	1	5N67	PAN HANDLE
7	1	80N82	PAN HANDLE STOP
8	1	R27	PAN HANDLE SPRING
9	1	80N6	TRIP ROPE
10	2	R3	PAN SPACER
11	2	YPCT06020	COTTER PIN, 3/16 X 2
12	1	R31	S HOOK
13	1	YBTE12005	TURNED EYE BOLT, 3/8 X 1
14	1	R26	SPRING BRACKET





