



S1225
MANURE
SPREADER
PARTS BOOK

Part #91709 HSMFG021122 Rev. #01 Starting Ser. #222GD25022

STRONG HERITAGE - STRONG PEOPLE - STRONGER FUTURE



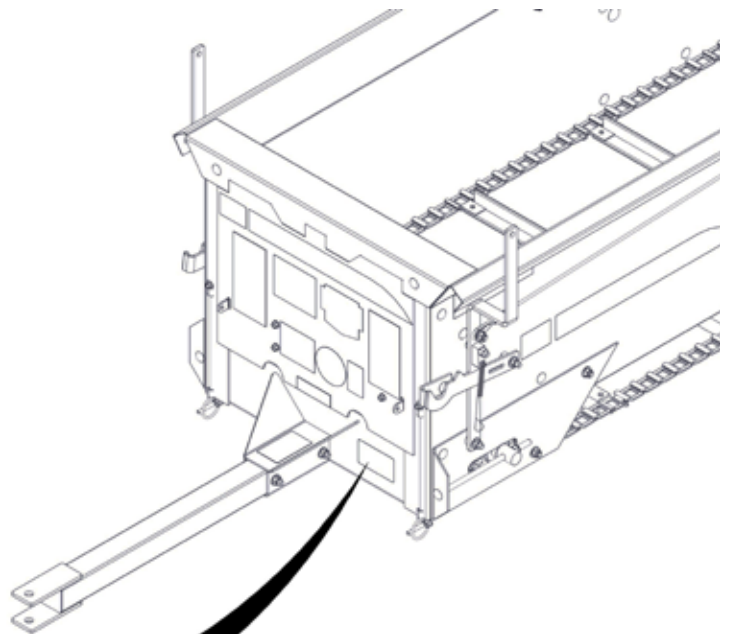
INSTRUCTIONS FOR ORDERING PARTS

All service parts should be ordered through your authorized H&S dealer. Your Dealership will be able to give you faster service if you will provide them with the following:

1. All references to left or right apply to the machine as viewed from the rear.
2. Parts should not be ordered from illustration only. Please order complete part number.
3. If your dealer has to order parts - give shipping instructions:

VIA truck - large pieces (please specify local truck lines)

VIA United Parcel Service (include full address)



H&S MFG. CO. INC. MARSHFIELD, WIS.	
MOD. NO.	<input type="text"/>
SER. NO.	<input type="text"/>
DESCR.	<input type="text"/>

PLEASE RECORD NUMBERS
FOR YOUR UNIT FOR QUICK REFERENCE

H&S IS CONTINUALLY STRIVING TO IMPROVE ITS PRODUCTS

We must, therefore, reserve the right to make improvements or changes whenever it becomes practical to do so, without incurring any obligation to make changes or additions to the equipment previously sold.





FIGURE 1

FRONT POLE & COMPONENTS

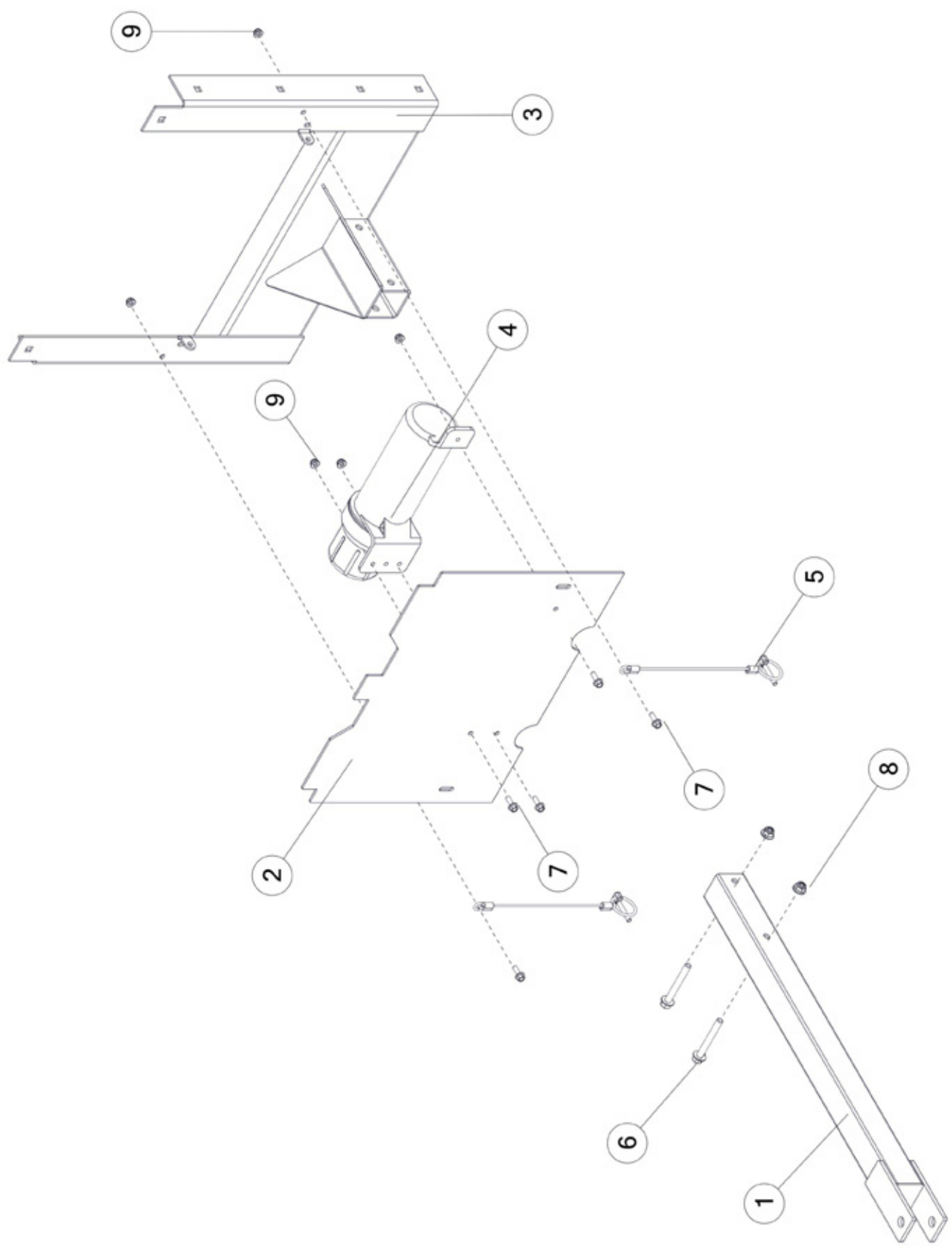




FIGURE 2

SIDE SHIELDS & COMPONENTS

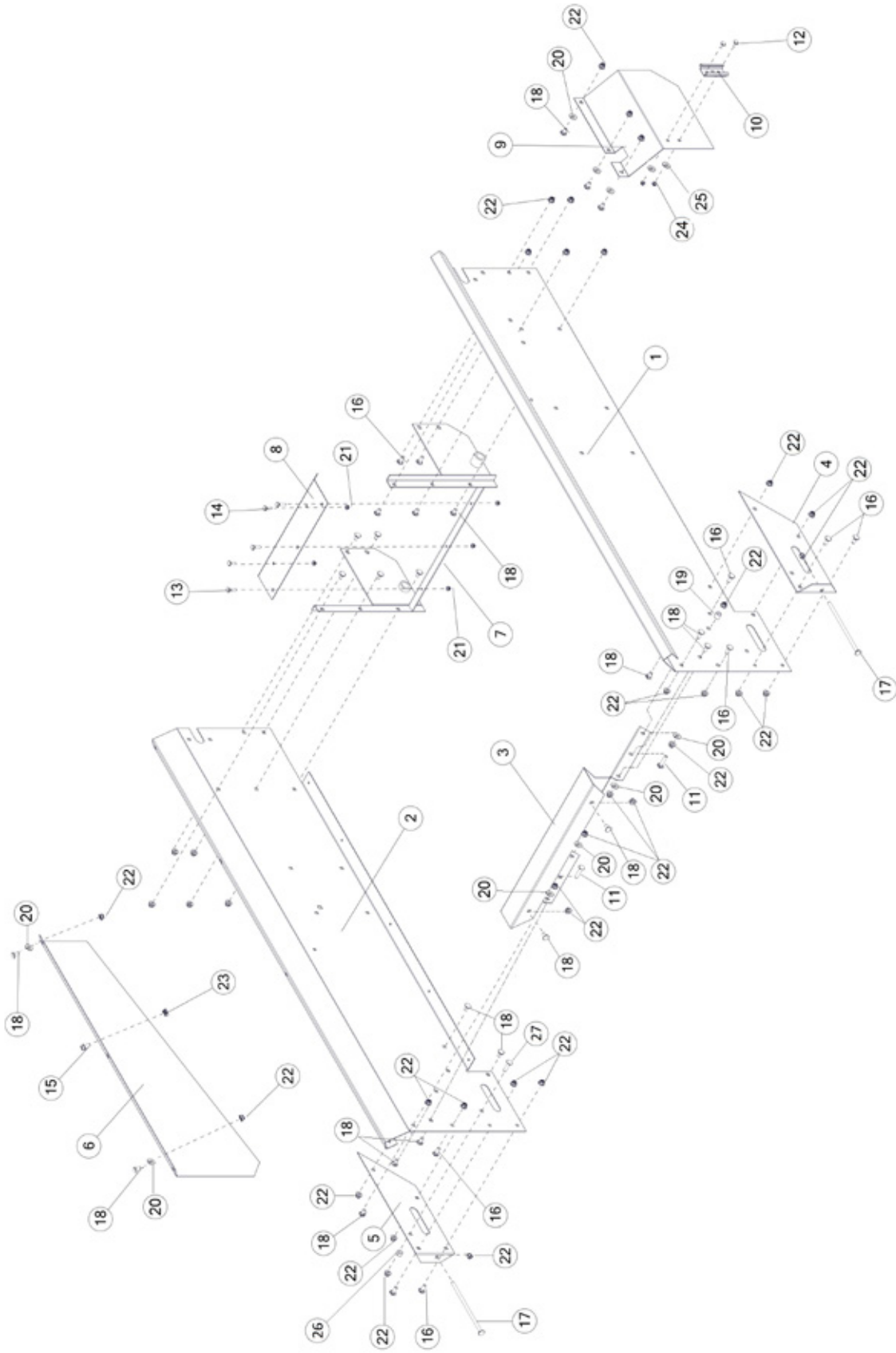




FIGURE 3

DRIVE & COMPONENTS

REF #	PART #	DESCRIPTION	QTY
1	25G11	CONTROL HANDLE	1
2	25G15	CONTROL BAR, LH	1
3	25G7	CAM	1
4	25G12	DOG PLATE	1
5	25G10	RACHET GEAR	1
6	YBFB08175	BOLT FLANGE, 1/4 X 1-3/4 G5	1
7	5N51	DRIVE DOG W/45 DEGREE ZERK	1
8	25G13	HOLDING DOG	1
9	5N26	DOG PIN	1
10	25G67	CAM ROLLER COMPLETE	1
11	K103	SPRING, ROPE RETURN SP-10	1
12	23N186	TORSION SPRING	1
13	12R3	SPRING	1
14	33625	ALUMINUM SLEEVE - 3/16 X 1	2
15	BFR292	POLY PULLEY	1
16	23N282	BRACKET, 5/8, SHIFTERDOG	1
17	23N284	SHIFTER DOG SPRING	1
18	YNFG12006	NUT FLANGE, 3/8 GF	9
19	ST81	EXTENSION SPACER, 11/16	1
20	23N94	WORM BOX SPACER	1
21	5B10	WOODRUF KEY, 1/4 X 1	1
22	G89	STRAIGHT ZERK, 1/4-28	3
23	RG51	90 DEGREE ZERK, 1/4-28	1
24	RG21	45 DEGREE GREASE ZERK	1
25	YPCT06020	COTTER PIN, 3/16 X 2	1
26	ST77	EXTENSION SPACER	1
27	S70	CROSS APRON SPACERS	1
28	25G45	APRON DRIVE CABLE, 62	1
29	YBCR12015	BOLT CARRIAGE, 3/8-16 X 1-1/2 G5 ZC	1
30	YBCR12030	BOLT CARRIAGE, 3/8-16 X 1-3/4 G5 ZC	1
31	YBFB12150	BOLT FLANGE, 3/8 X 1-1/2 G5	1
32	YBFB16250	BOLT FLANGE, 1/2 X 2-1/2 G5	1
33	YBFB08150	BOLT FLANGE, 1/4 X 1-1/2 G5	1
34	YBCR12010	BOLT CARRIAGE, 3/8-16 X 1 G5 ZC	3
35	YWFL08005	WASHER FLAT, 1/4 USS	2
36	YNFG08010	NUT FLANGE, 1/4 GF	3
37	YNHX08005	NUT HEX, 1/4 G5	2
38	ES14	THIMBLE	2





FIGURE 3 DRIVE & COMPONENTS

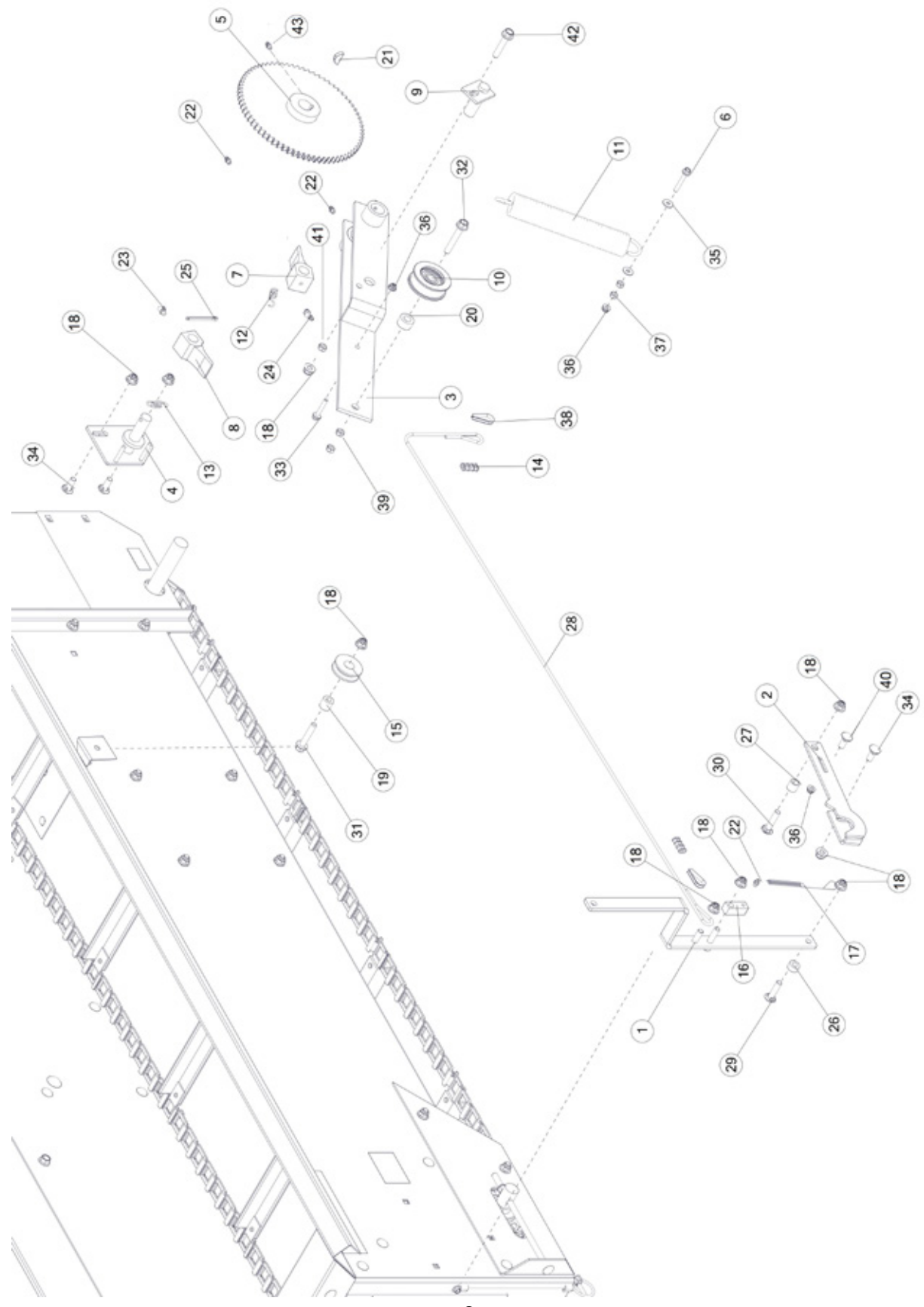
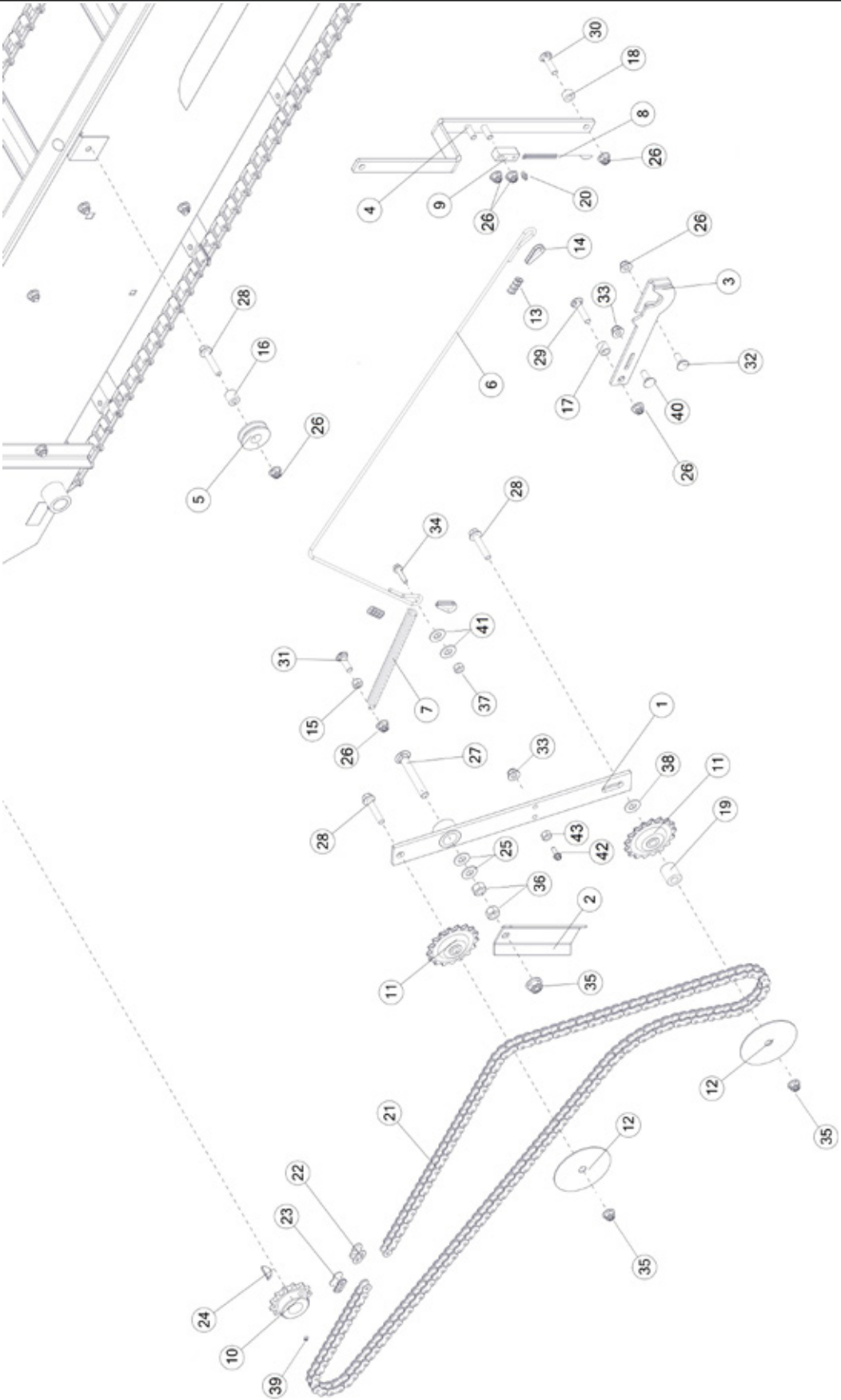




FIGURE 4 ENGAGEMENT ARM & COMPONENTS



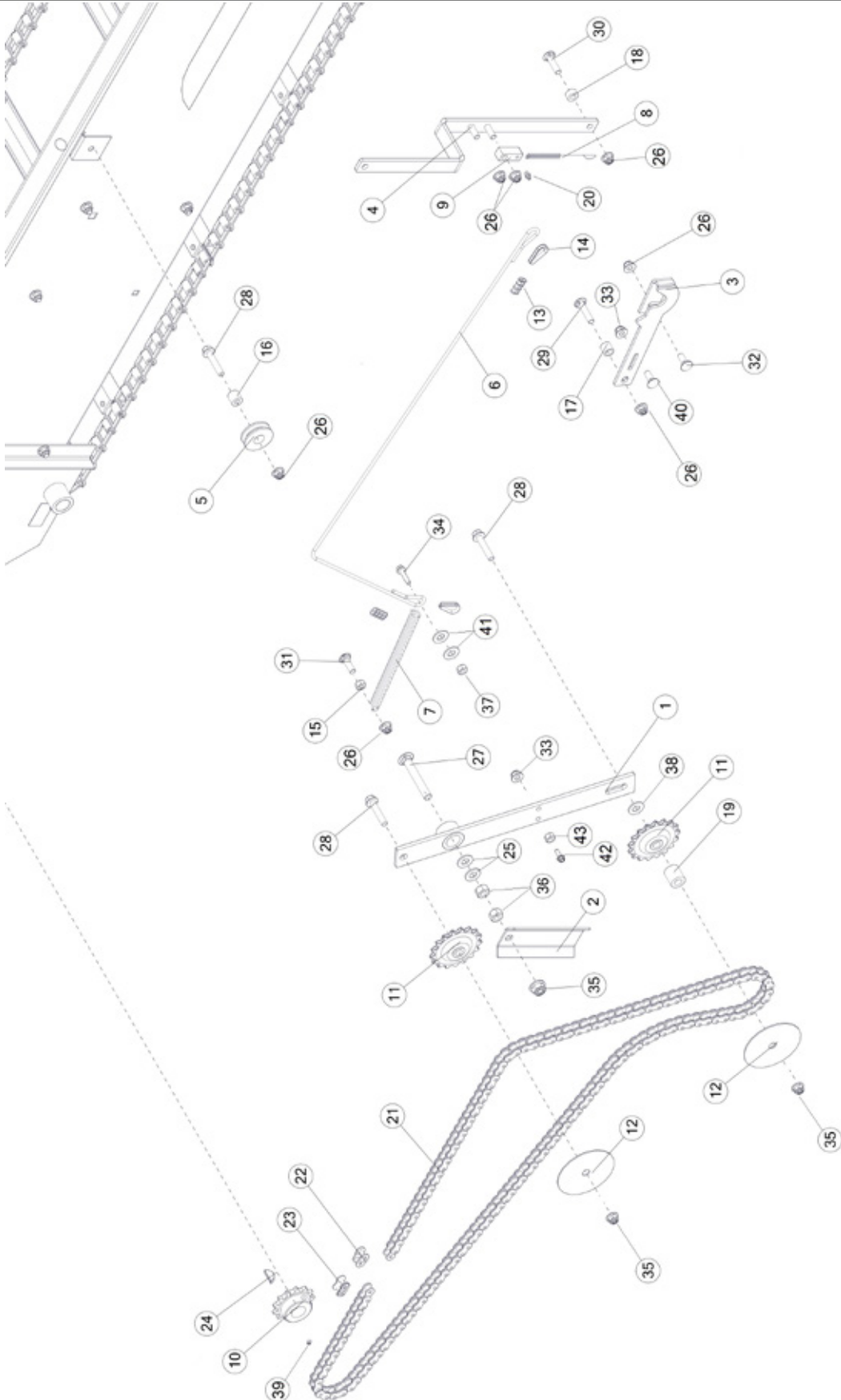
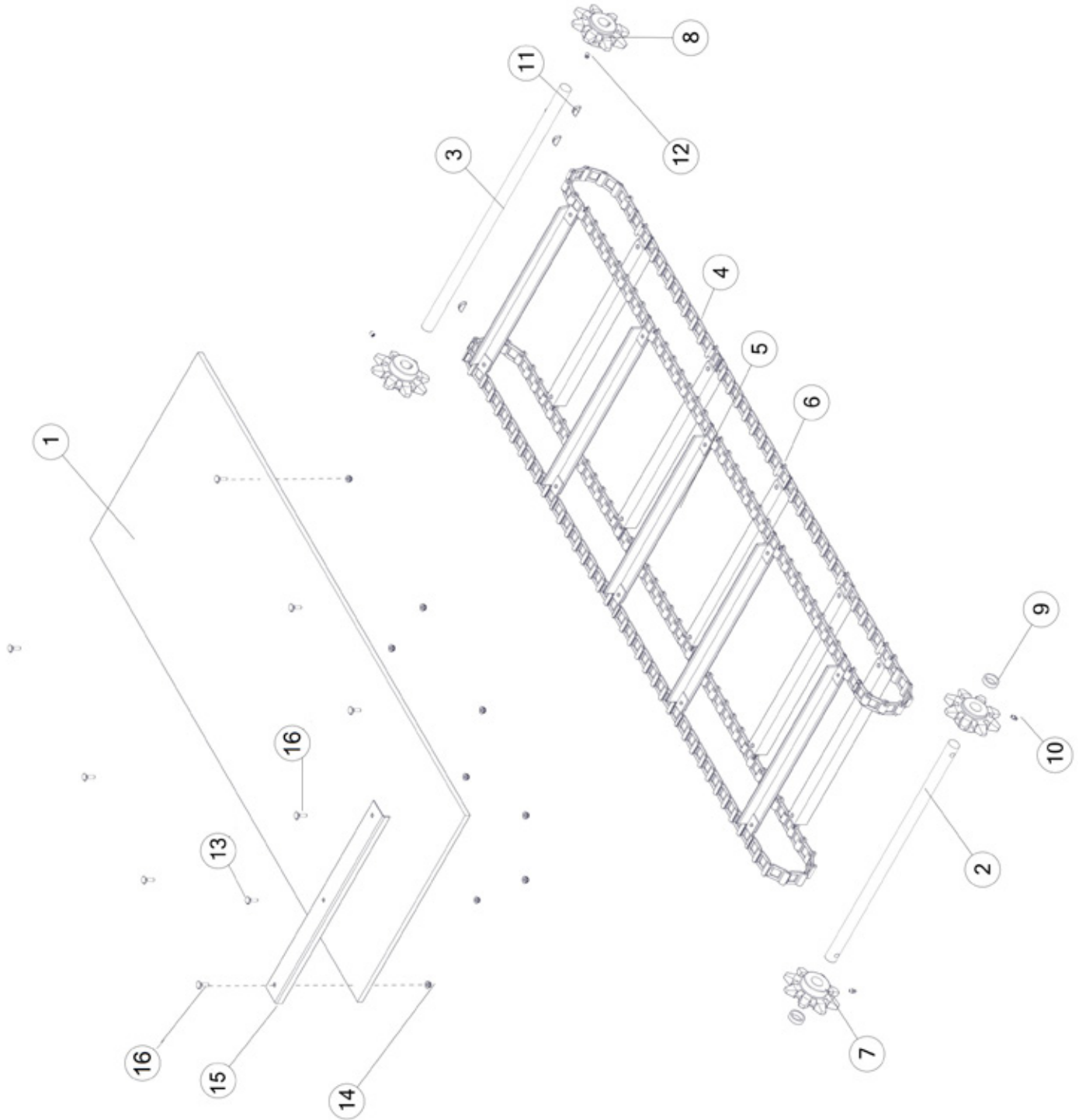




FIGURE 5
APRON CHAIN & COMPONENTS



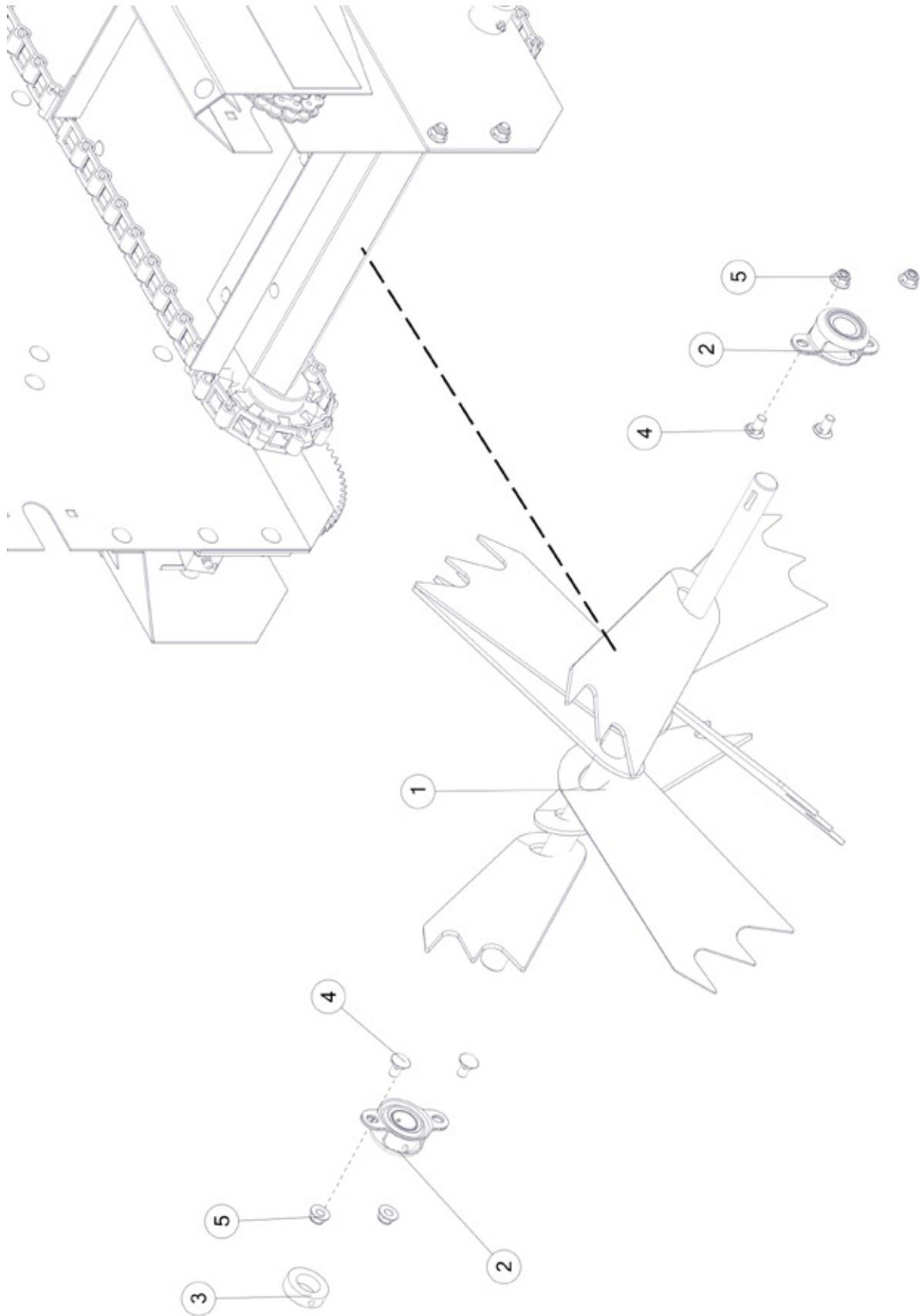




FIGURE 7
HUB & SPINDLE COMPONENTS

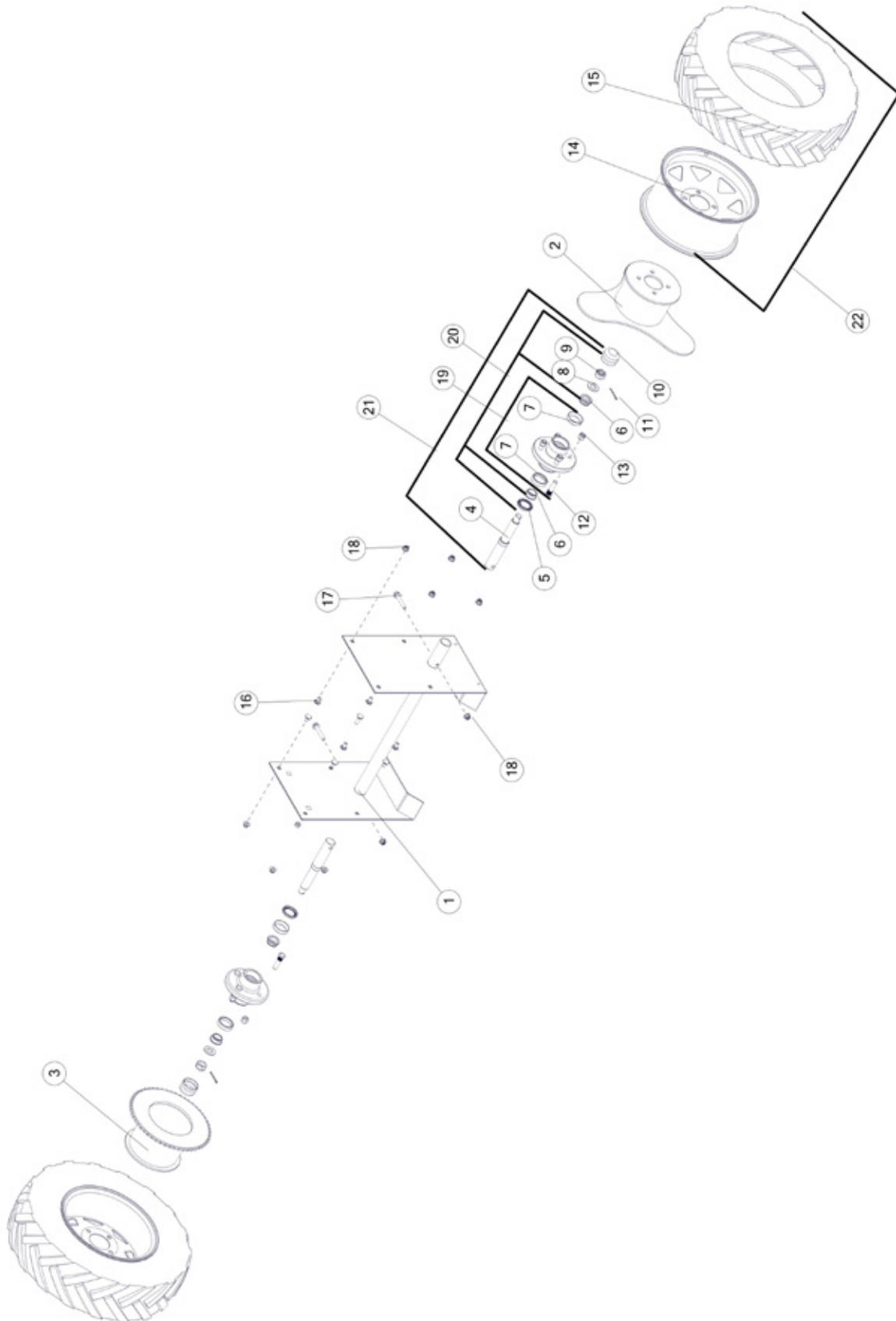
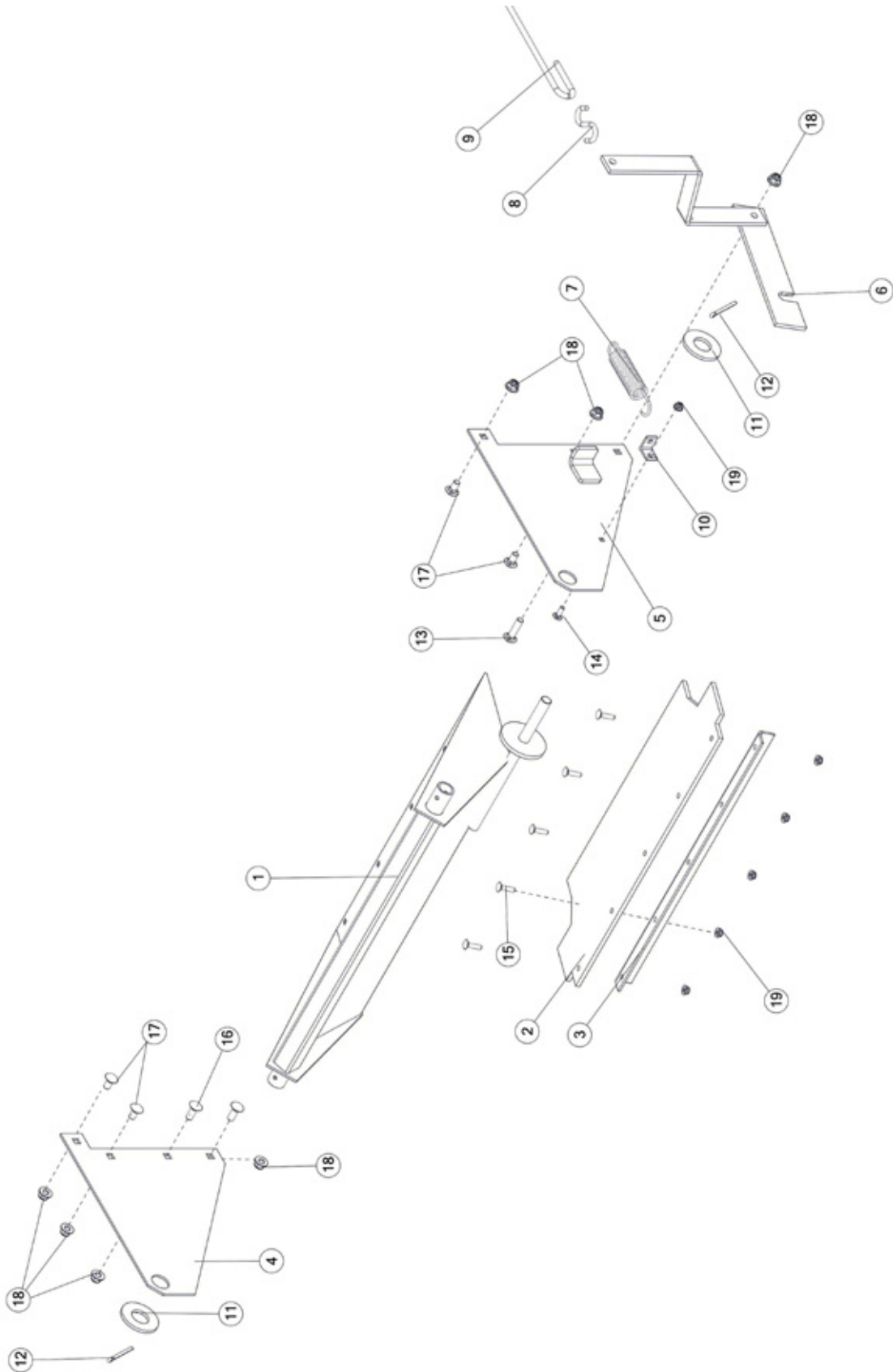




FIGURE 8
OPTIONAL REAR PAN (MSO3E)





H&S MFG. CO.

products approved

for the

FEMA

SEAL OF QUALITY



Manufactured by:

H&S MANUFACTURING CO., INC.

2608 S. HUME AVE. MARSHFIELD, WI 54449

(715) 387-3414 | hsmfgco.com

