



**S1225**  
**MANURE**  
**SPREADER**  
**PARTS BOOK**

Part #91709 HSMFG100222 Rev. #02 Starting Ser. #322GD25001

**STRONG HERITAGE - STRONG PEOPLE - STRONGER FUTURE**





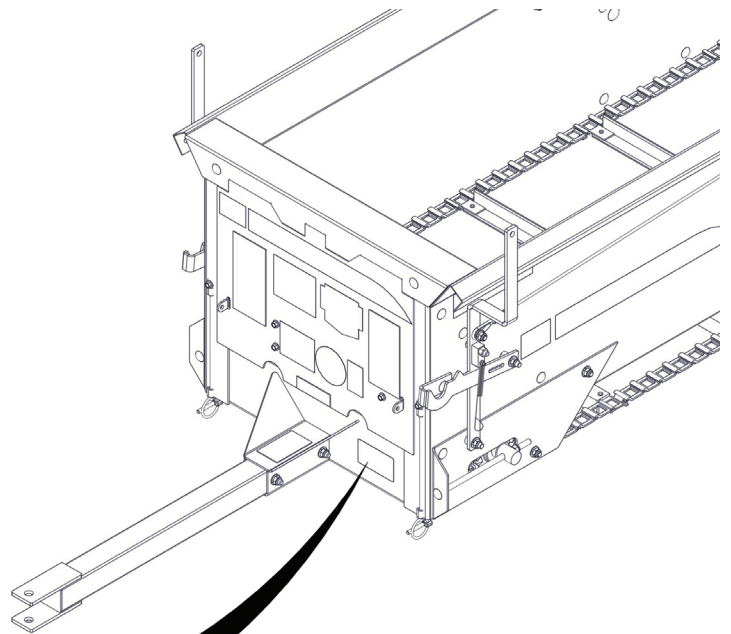
# INSTRUCTIONS FOR ORDERING PARTS

All service parts should be ordered through your authorized H&S dealer. Your Dealership will be able to give you faster service if you will provide them with the following:

1. All references to left or right apply to the machine as viewed from the rear.
2. Parts should not be ordered from illustration only. Please order complete part number.
3. If your dealer has to order parts - give shipping instructions:

VIA truck - large pieces (please specify local truck lines)

VIA United Parcel Service (include full address)



<b>H&amp;S MFG. CO. INC.</b>	
MARSHFIELD, WIS.	
MOD. NO.	<input type="text"/>
SER. NO.	<input type="text"/>
DESCR.	<input type="text"/>

PLEASE RECORD NUMBERS FOR YOUR UNIT FOR QUICK REFERENCE

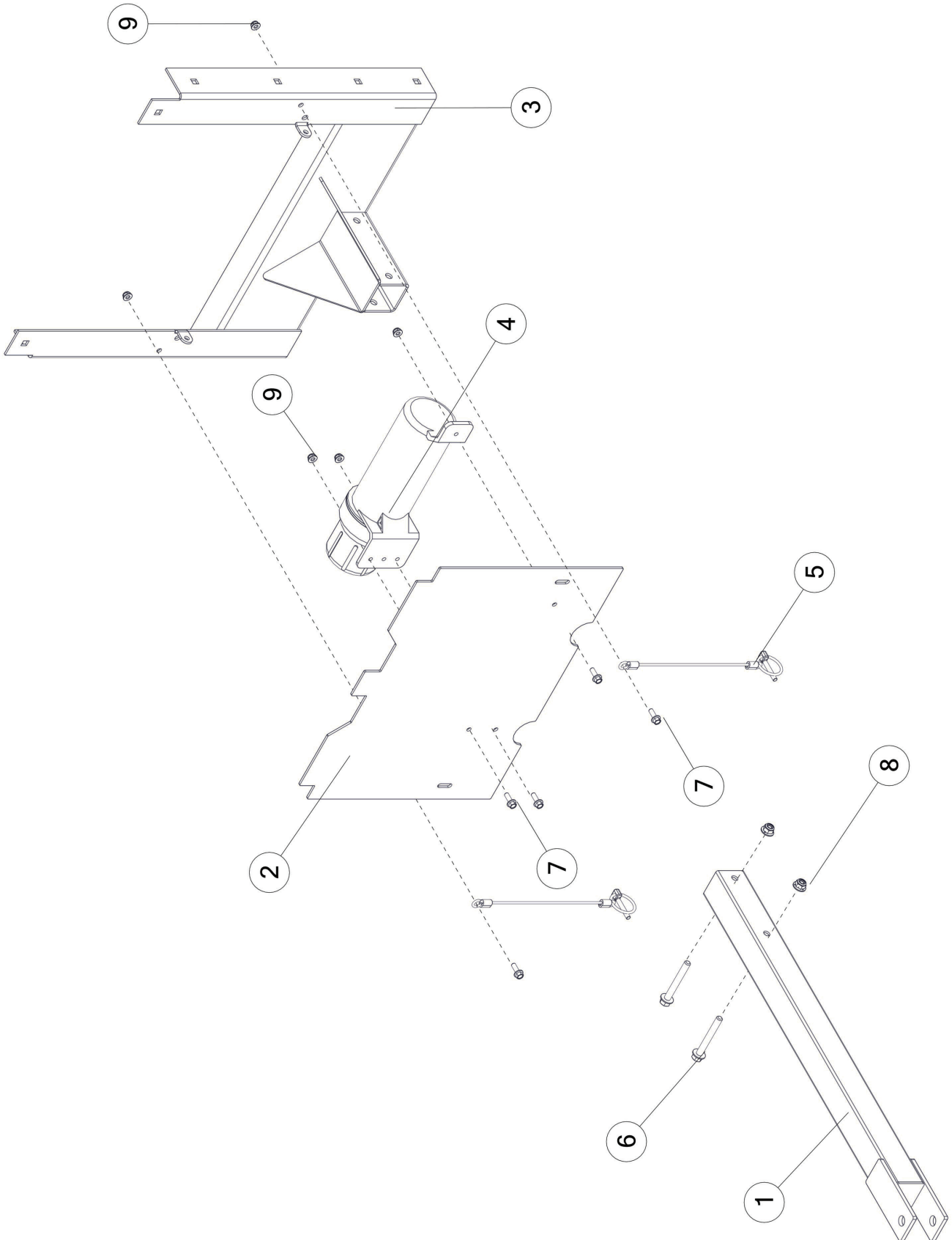
H&S IS CONTINUALLY STRIVING TO IMPROVE ITS PRODUCTS

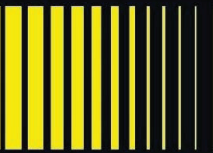
We must, therefore, reserve the right to make improvements or changes whenever it becomes practical to do so, without incurring any obligation to make changes or additions to the equipment previously sold.





# FIGURE 1 FRONT POLE & COMPONENTS





# FIGURE 1

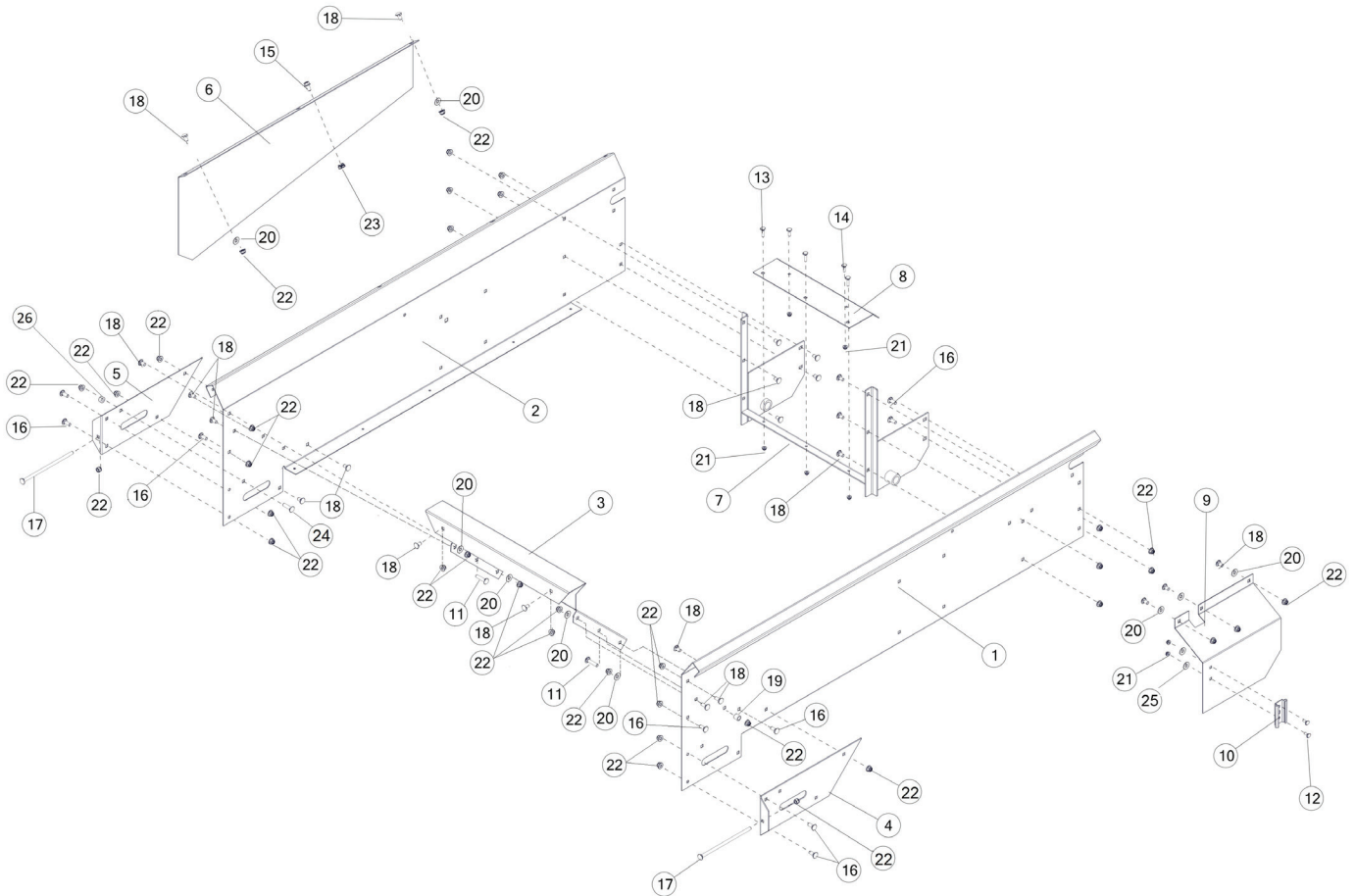
## FRONT POLE & COMPONENTS

REF #	PART #	DESCRIPTION	QTY
1	25G1	POLE	1
2	25G34B	FRONT SHIELD W/DECALS	1
3	25G2B	SUPPORT W/DECALS, FRONT	1
4	S522	MANUAL HOLDER	1
5	S122	LANYARD, CLIP PIN CABLE	2
6	YBFB12300	BOLT FLANGE, 3/8 X 3 G5	2
7	YBFB08075	BOLT FLANGE, 1/4 X 3/4 G5	5
8	YNFG12006	NUT FLANGE, 3/8 GF	2
9	YNFG08010	NUT FLANGE, 1/4 GF	5





# FIGURE 2 SIDE SHIELDS & COMPONENTS





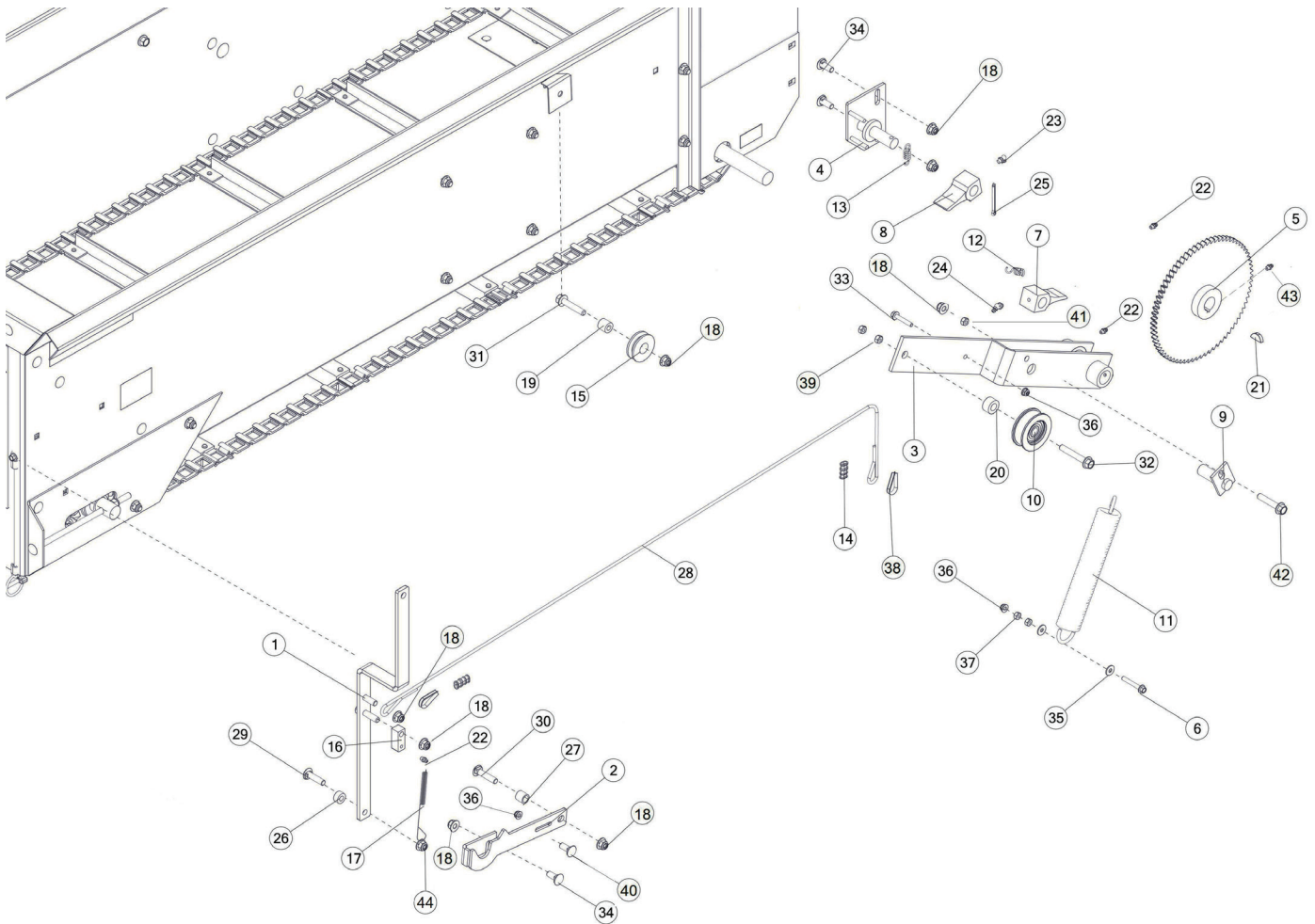
**FIGURE 2**  
**SIDE SHIELDS & COMPONENTS**

<b>REF #</b>	<b>PART #</b>	<b>DESCRIPTION</b>	<b>QTY</b>
1	91620B	SIDE, LH W/DECALS	1
2	91619B	SIDE, RH W/DECALS	1
3	91618B	MAIN PANEL, FRONT W/DECALS	1
4	25G23	CHAIN TIGHTENER, LH	1
5	25G24	CHAIN TIGHTENER, RH	1
6	91663B	BEATER DRIVE SHIELD, W/DECALS	1
7	25G9	BACK BRACKET	1
8	25G64	REAR FLOOR PROTECTOR	1
9	25G17B	DRIVE SHIELD W/DECALS	1
10	F97	SMV BRACKET	1
11	YBCR12030	BOLT CARRIAGE, 3/8-16 X 1-3/4 G5 ZC	4
12	YBCR10025	BOLT CARRIAGE, 5/16-18 X 3/4 G2 ZC	2
13	YBCR08015	BOLT CARRIAGE, 1/4-20 X 1-1/4 G5 ZC	2
14	YBCR08005	BOLT CARRIAGE, 1/4-20 X 1 G5 ZC	2
15	YBFB12075	BOLT FLANGE, 3/8 X 3/4 G5	1
16	YBCR12010	BOLT CARRIAGE, 3/8-16 X 1 G5 ZC	6
17	YBCR12136	BOLT CARRIAGE, FT, 3/8-16 X 9 G2 ZC	2
18	YBCR12065	BOLT CARRIAGE, 3/8-16 X 3/4 G5 ZC	18
19	S70	CROSS APRON SPACERS	2
20	YWFL12005	WASHER, FLAT, 3/8 USS	7
21	YNFG10005	NUT FLANGE, 5/16 GF	6
22	YNFG12006	NUT FLANGE, 3/8 GF	26
23	YNPC12005	NUT PANEL CAGE, 3/8	1
24	YBCR12015	BOLT CARRIAGE, 3/8-16 X 1-1/2 G5	1
25	YWFL10005	WASHER, FLAT, 5/16 USS	2
26	ST77	SPACER	1





# FIGURE 3 DRIVE & COMPONENTS



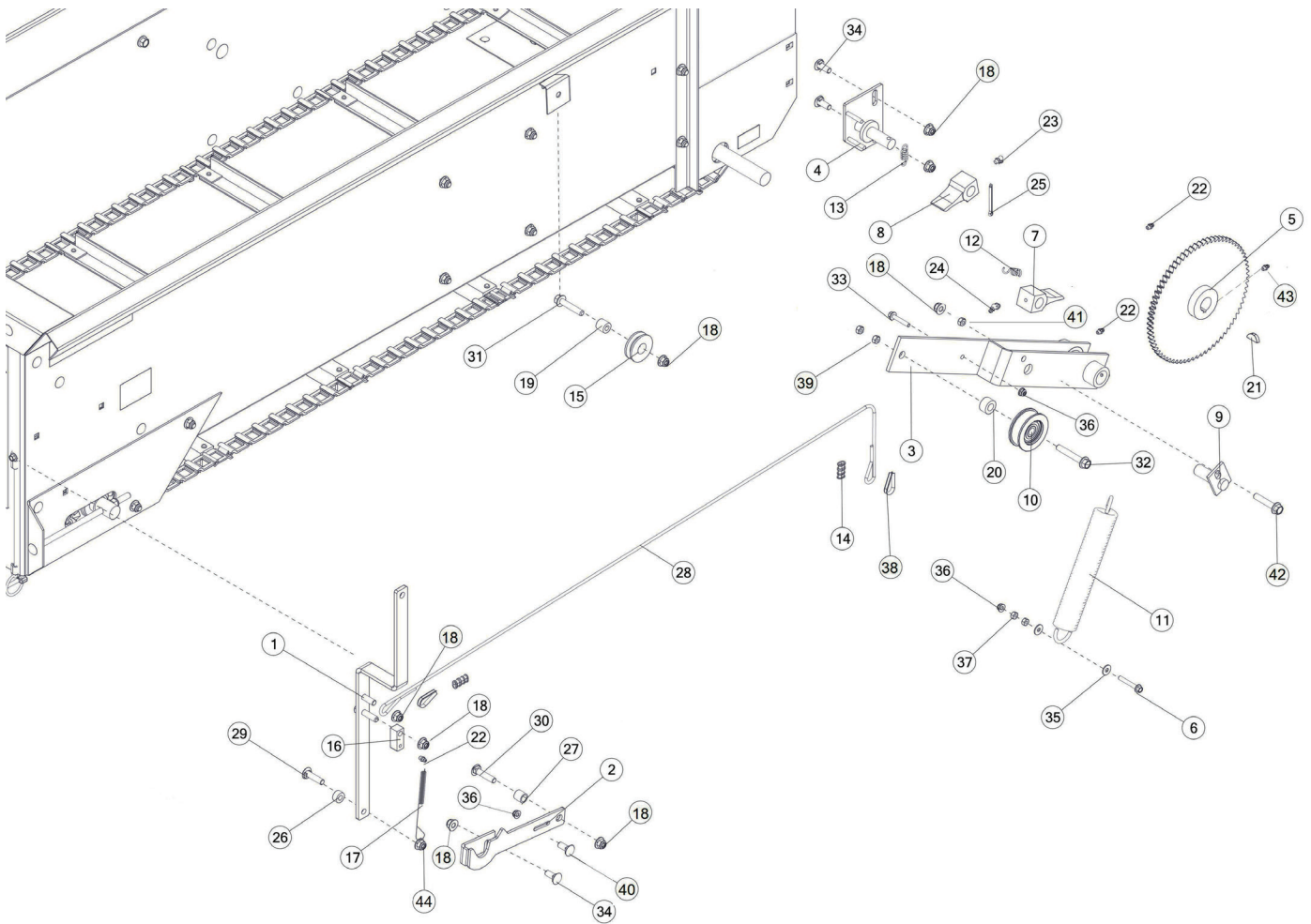


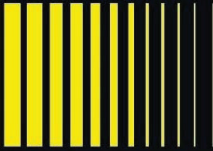
REF #	PART #	DESCRIPTION	QTY
1	25G11	CONTROL HANDLE	1
2	25G15	CONTROL BAR, LH	1
3	25G7	CAM	1
4	25G12	DOG PLATE	1
5	25G10	RACHET GEAR	1
6	YBFB08175	BOLT FLANGE, 1/4 X 1-3/4 G5	1
7	5N51	DRIVE DOG W/45 DEGREE ZERK	1
8	25G13	HOLDING DOG	1
9	5N26	DOG PIN	1
10	25G67	CAM ROLLER COMPLETE	1
11	K103	SPRING, ROPE RETURN SP-10	1
12	23N186	TORSION SPRING	1
13	12R3	SPRING	1
14	33625	ALUMINUM SLEEVE - 3/16 X 1	2
15	BFR292	POLY PULLEY	1
16	23N282	BRACKET, 5/8, SHIFTERDOG	1
17	23N284	SHIFTER DOG SPRING	1
18	YNFG12006	NUT FLANGE, 3/8 GF	9
19	ST81	EXTENSION SPACER, 11/16	1
20	23N94	WORM BOX SPACER	1
21	5B10	WOODRUF KEY, 1/4 X 1	1
22	G89	STRAIGHT ZERK, 1/4-28	3
23	RG51	90 DEGREE ZERK, 1/4-28	1
24	RG21	45 DEGREE GREASE ZERK	1
25	YPCT06020	COTTER PIN, 3/16 X 2	1
26	ST77	EXTENSION SPACER	1
27	S70	CROSS APRON SPACERS	1
28	25G45	APRON DRIVE CABLE, 62	1
29	YBCR12015	BOLT CARRIAGE, 3/8-16 X 1-1/2 G5 ZC	1
30	YBCR12030	BOLT CARRIAGE, 3/8-16 X 1-3/4 G5 ZC	1
31	YBFB12150	BOLT FLANGE, 3/8 X 1-1/2 G5	1
32	YBFB16250	BOLT FLANGE, 1/2 X 2-1/2 G5	1
33	YBFB08150	BOLT FLANGE, 1/4 X 1-1/2 G5	1
34	YBCR12010	BOLT CARRIAGE, 3/8-16 X 1 G5 ZC	3
35	YWFL08005	WASHER FLAT, 1/4 USS	2
36	YNFG08010	NUT FLANGE, 1/4 GF	3
37	YNHX08005	NUT HEX, 1/4 G5	2
38	ES14	THIMBLE	2





# FIGURE 3 DRIVE & COMPONENTS



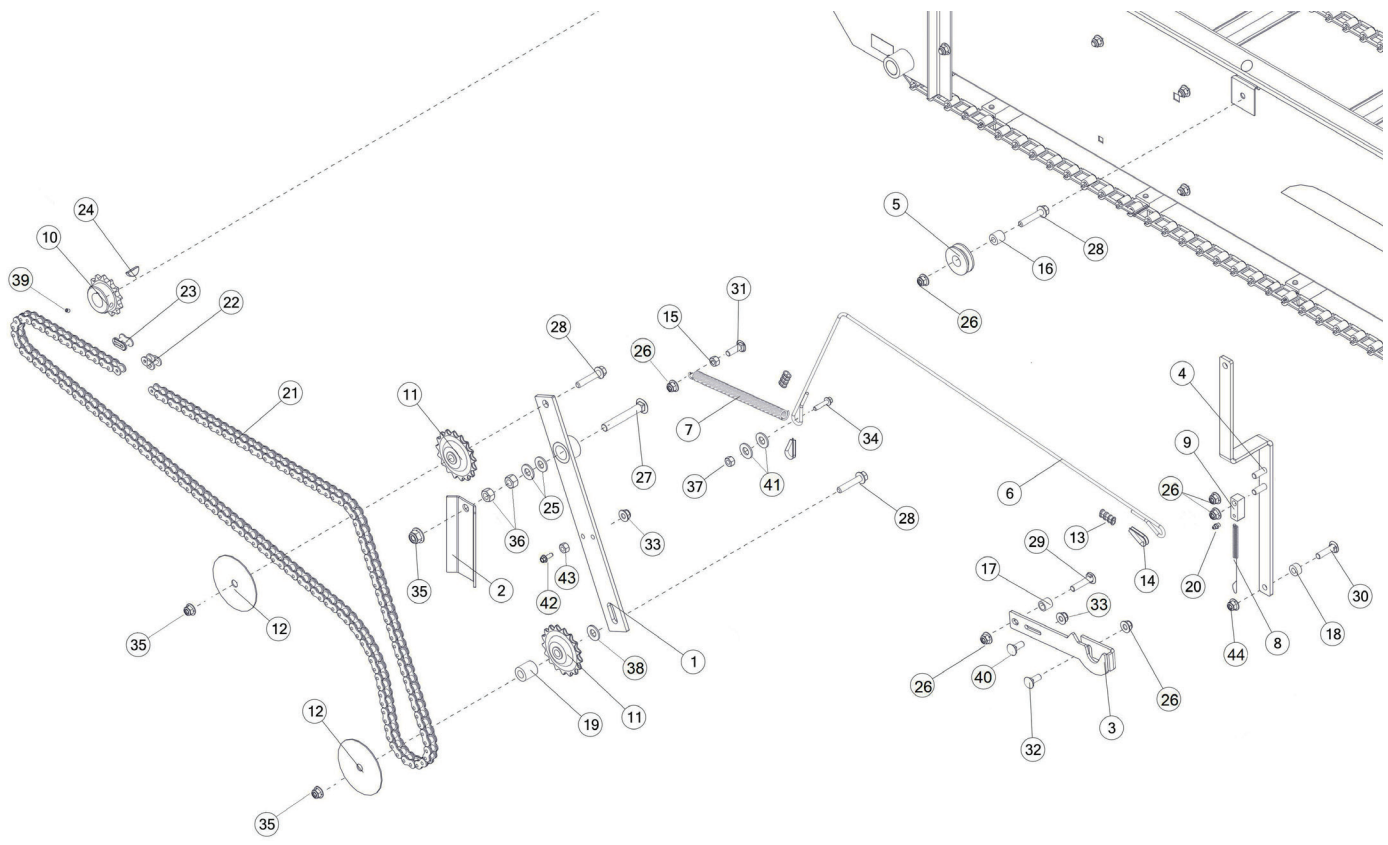


REF #	PART #	DESCRIPTION	QTY
39	YNJM16006	NUT, JAM, 1/2 A	2
40	YBCR08005	BOLT CARRIAGE, 1/4 X 1 G5	1
41	YNHX12004	NUT HEX, 3/8 G2	1
42	YBHH12061	BOLT HEX, FT, 3/8-16 X 1-3/4 G5 ZC	1
43	YSKP10010	SCREW SOCKET HEAD, 5/16 X 3/8	1
44	YNHX12005	NUT HEX, 3/8 G2	1





# FIGURE 4 ENGAGEMENT ARM & COMPONENTS





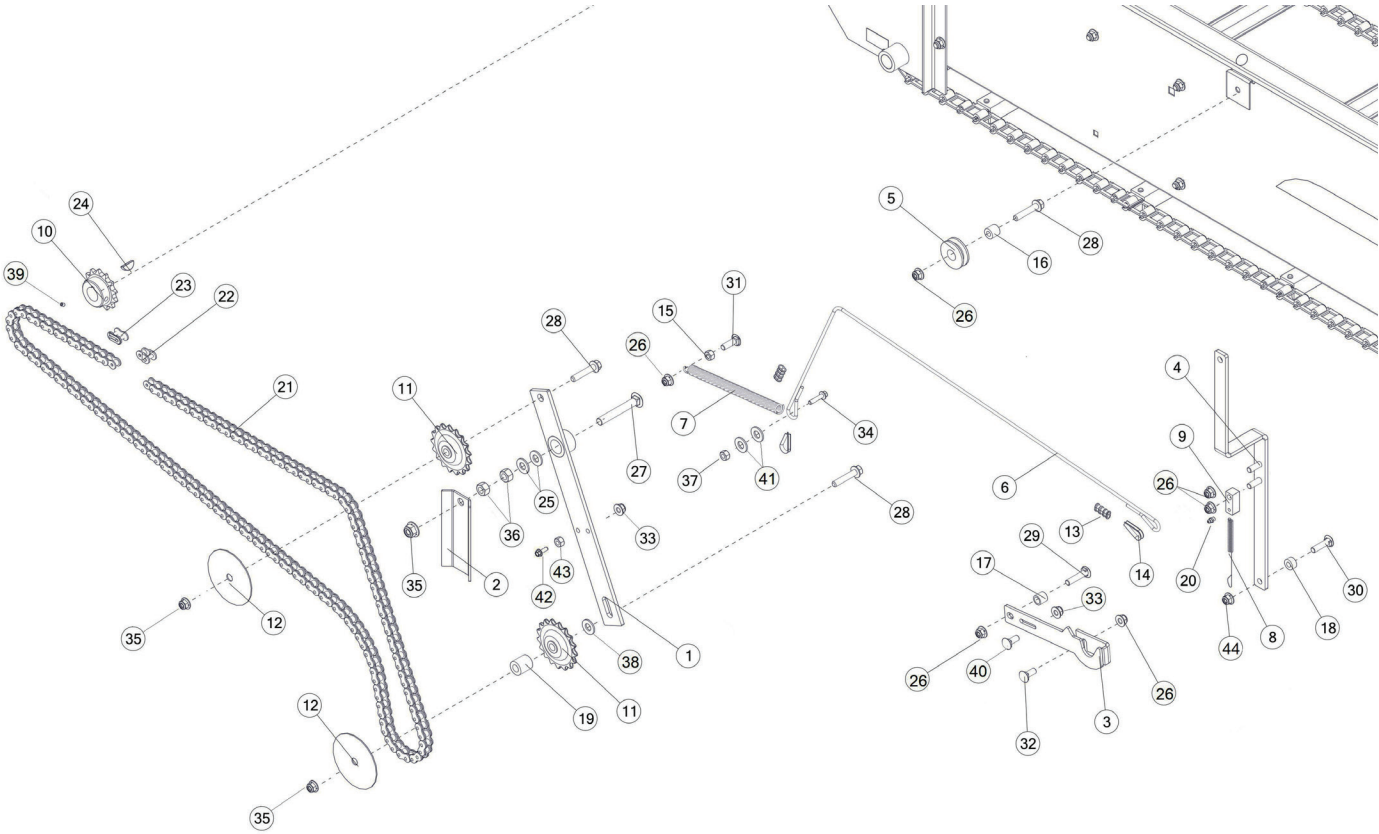
# FIGURE 4 ENGAGEMENT ARM & COMPONENTS

REF #	PART #	DESCRIPTION	QTY
1	25G8	ENGAGEMENT ARM	1
2	25G53	CHAIN GUIDE	1
3	25G14	CONTROL BAR	1
4	25G12	DOG PLATE	1
5	BFR292	POLY PULLEY	1
6	25G44	APRON DRIVE CABLE, 47	1
7	25G41	SPRING	1
8	23N284	SPRING, EXT, COIL, 5-1/2 X 6.95, 1.2 SHIFTER DOG	1
9	23N282	BRACKET, 5/8, SHIFTERDOG	1
10	4C4	INPUT SHAFT SPROCKET	1
11	K101	IDLER SPROCKET, 17T	2
12	25G22	CHAIN WASHER	2
13	33625	ALUMINUM SLEEVE - 3/16 X 1	2
14	ES14	THIMBLE	2
15	YNHX12004	NUT HEX, 3/8 G2	1
16	ST81	EXTENSION SPACER, 11/16	1
17	S70	CROSS APRON SPACERS	1
18	ST77	EXTENSION SPACER	1
19	25G31	PIVOT BUSHING	1
20	G89	STRAIGHT ZERK, 14-28	1
21	25G38	ROLLER CHAIN, #50, 147P	1
22	X60	OFFSET LINK, #50	1
23	X61	CONNECTOR LINK, #50	1
24	5B10	WOODRUFF KEY, 1/4 X 1	1
25	YWFL16010	WASHER, FLAT, SAE 1/2	2
26	YNFG12006	NUT FLANGE, 3/8 GF	7
27	YBCR16040	BOLT CARRIAGE, 1/2-13 X 3-1/2 G5 ZC	1
28	YBFB16200	BOLT FLANGE, 1/2 X 2 G5	2
29	YBCR12030	BOLT CARRIAGE, 3/8-16 X 1-3/4 G5 ZC	1
30	YBCR12015	BOLT CARRIAGE, 3/8-16 X 1-1/2 G5 ZC	1





# FIGURE 4 ENGAGEMENT ARM & COMPONENTS





# FIGURE 4

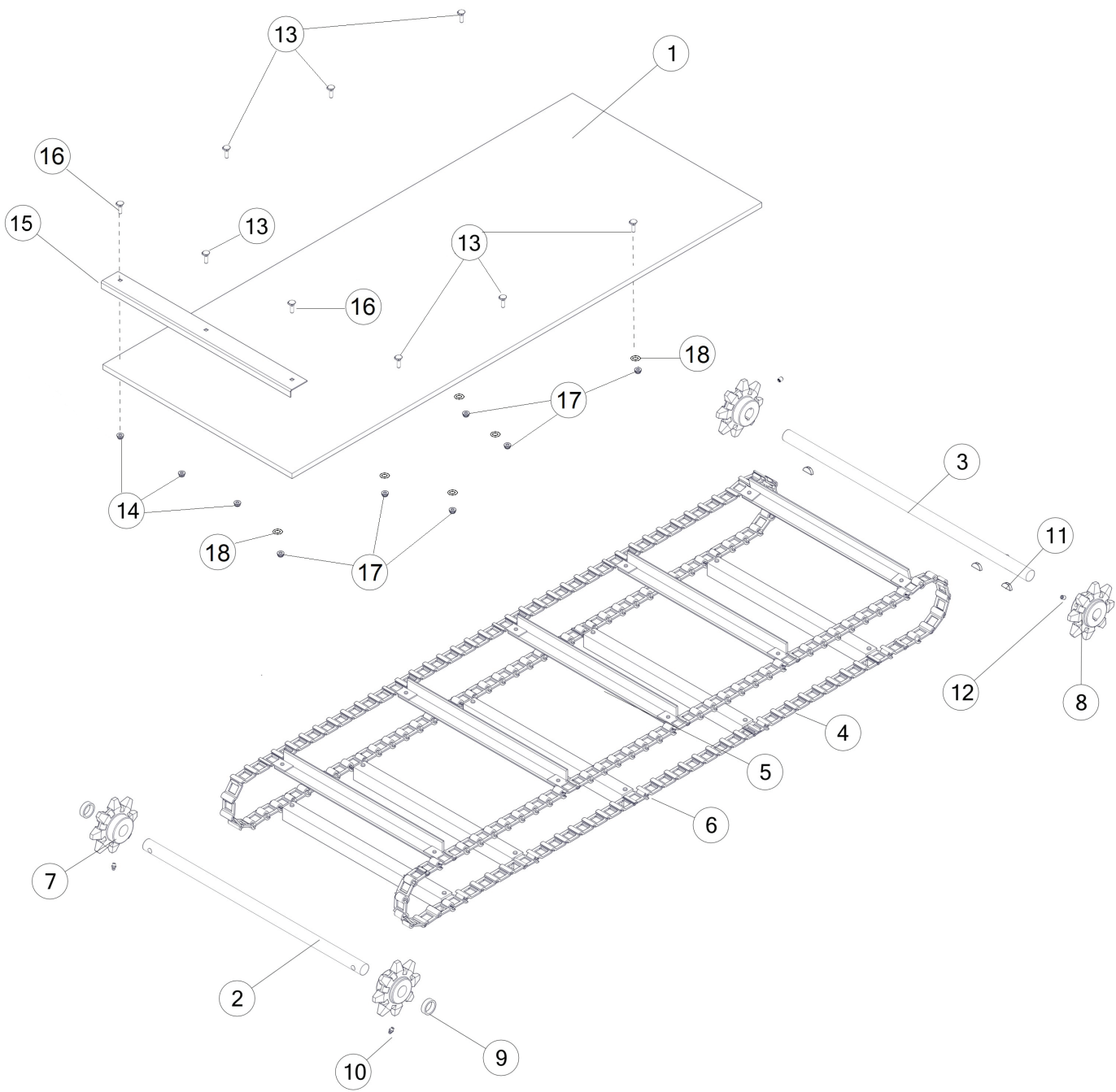
## ENGAGEMENT ARM & COMPONENTS

REF #	PART #	DESCRIPTION	QTY
31	YBCR12020	BOLT CARRIAGE, 3/8-16 X 1-1/4 G5 ZC	1
32	YBCR12010	BOLT CARRIAGE, 3/8-16 X 1 G5 ZC	1
33	YNFG08010	NUT FLANGE, 1/4 GF	3
34	YBFB08075	BOLT FLANGE, 1/4 X 3/4 G5	1
35	YNFG16003	NUT FLANGE, 1/2 GF	3
36	YNHX16005	NUT HEX, 1/2 G2	2
37	YNHX08010	NUT HEX, 1/4-20 NA G8 ZY	1
38	YWFL16005	WASHER FLAT, 1/2	2
39	YSKP12025	SCREW SET SOCKET, KNURLED CUP PT, 3/8 X 3/8	1
40	YBCR08005	BOLT CARRIAGE, 1/4 X 1 G5	1
41	YWFL10005	WASHER FLAT, 5/16	2
42	YBFB08100	BOLT FLANGE, 1/4 X 1 G5	1
43	YNHX08005	NUT HEX, 1/4 G5	1
44	YNHX12005	NUT HEX, 3/8 G2	1





# FIGURE 5 APRON CHAIN & COMPONENTS





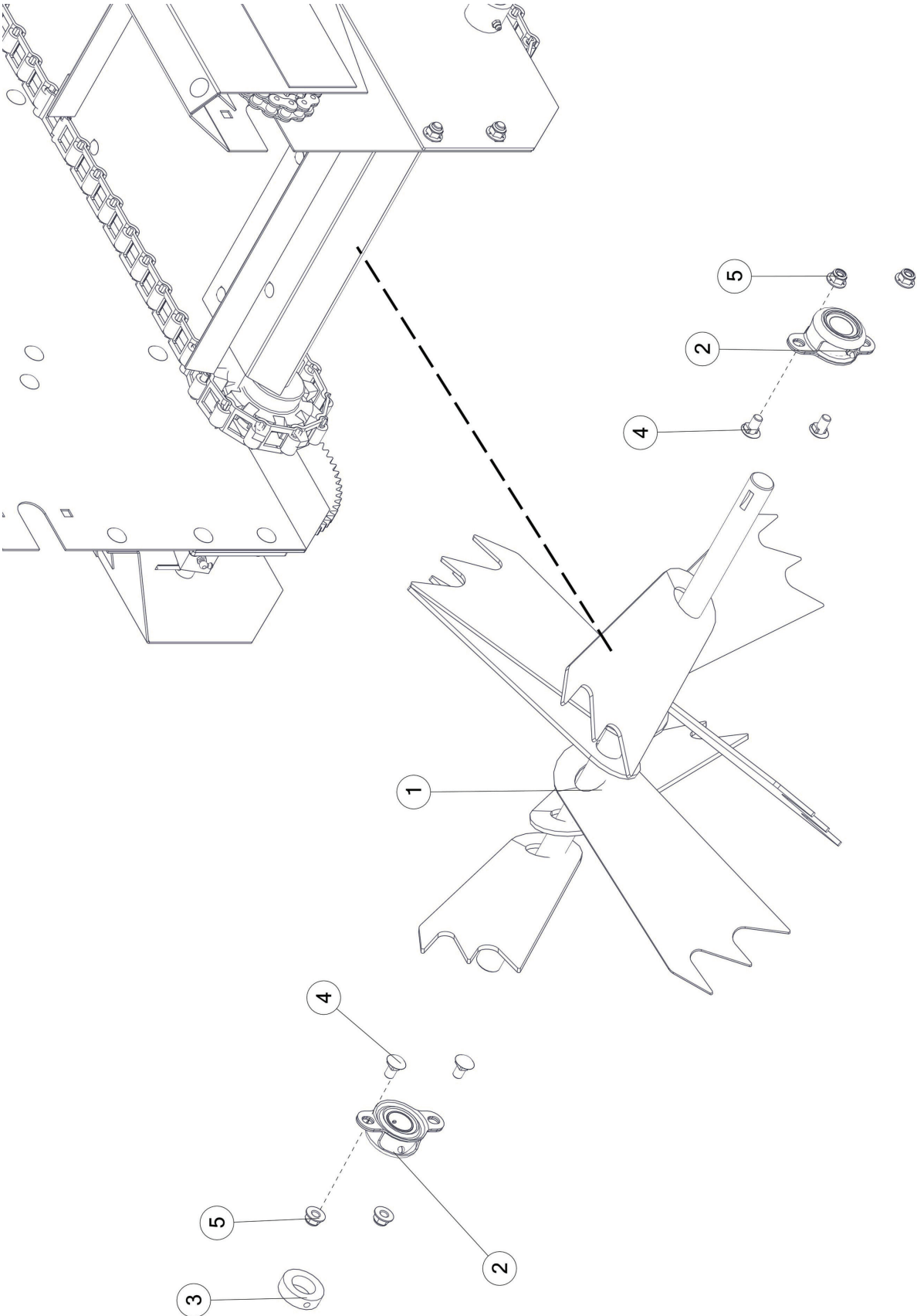


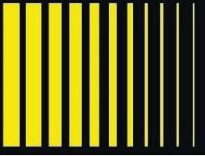
# FIGURE 5

## APRON CHAIN & COMPONENTS

REF #	PART #	DESCRIPTION	QTY
1	25G36	POLY PLYWOOD FLOOR	1
2	25G28	IDLER SHAFT, 1, 25	1
3	25G29	APRON SHAFT	1
4	25G46	APRON CHAIN COMPLETE	1
5	25G47	APRON SLAT	9
6	25G48	CONNECTOR LINK	140
7	L10R20	IDLER SPROCKET 8T	2
8	L10R24	CROSS APRON SPROCKET	2
9	K132	SPACER, 3/8 LONG	2
10	G89	STRAIGHT ZERK, 1/4-28	2
11	5B10	WOODRUF KEY, 1/4 X 1	3
12	YSKP10010	SET SCREW, SCKT, KNURLED CUP PT, 5/16-18 X 3/8	2
13	YBCR08005	BOLT CARRIAGE, 1/4-20 X 1 G5 ZC	7
14	YNFG08010	NUT FLANGE, 1/4 GF	3
15	25G65	FRONT FLOOR PROTECTOR	1
16	YBCR08015	BOLT CARRIAGE, 1/4-20 X 1-1/4 G5 ZC	2
17	YNHX08010	NUT HEX, 1/4-20 NA G8 ZY	6
18	YWLO08005	WASHER, LOCK, 1/4	6







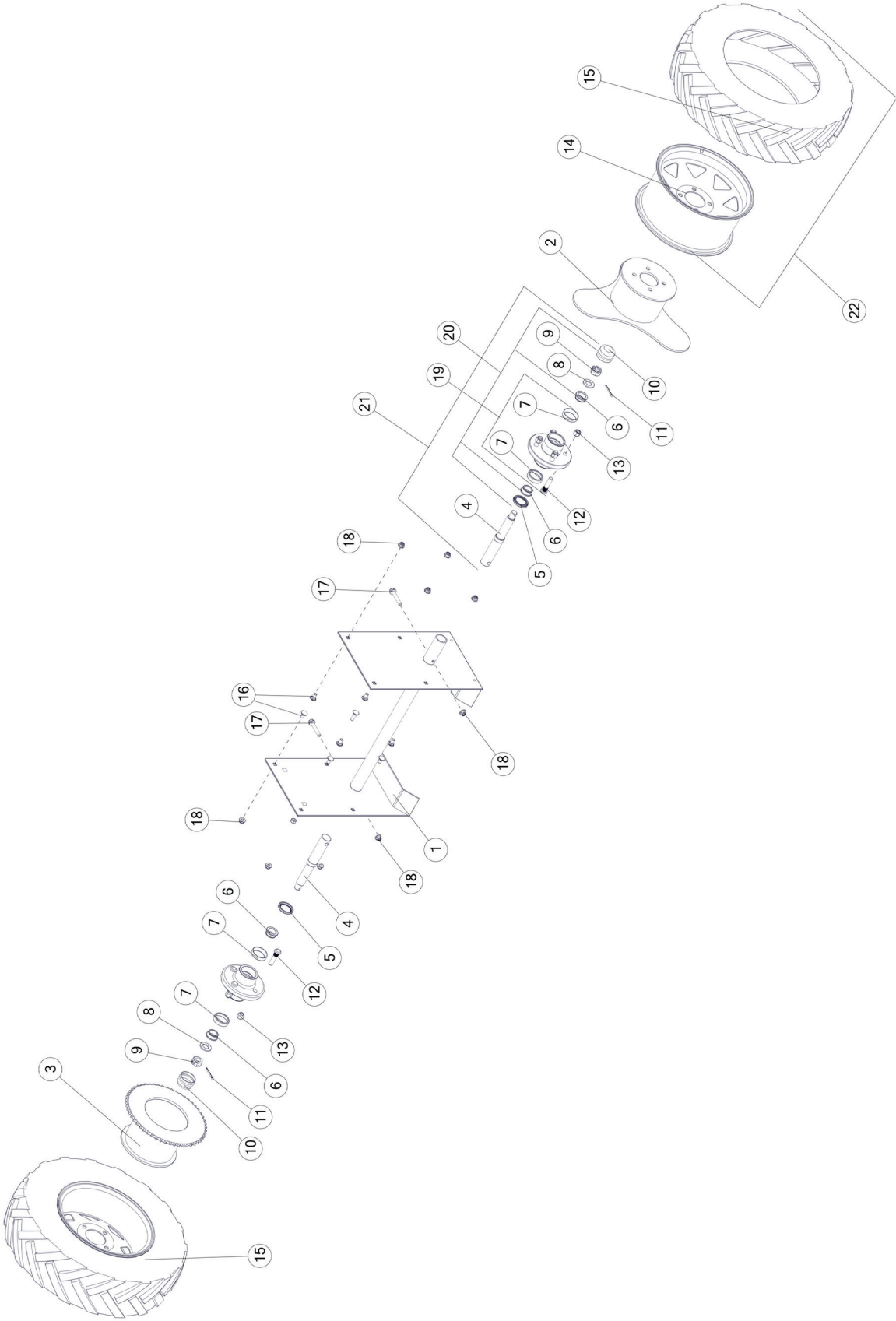
# FIGURE 6 BEATER & COMPONENTS

REF #	PART #	DESCRIPTION	QTY
1	25G6	BEATER	1
2	25G51	BEATER BEARING W/FLANGES	2
3	L4C4	COLLAR	1
4	YBCR12065	BOLT CARRIAGE, 3/8-16 X 3/4 G5 ZC	4
5	YNFG12006	NUT FLANGE, 3/8 GF	4





**FIGURE 7**  
**HUB & SPINDLE COMPONENTS**



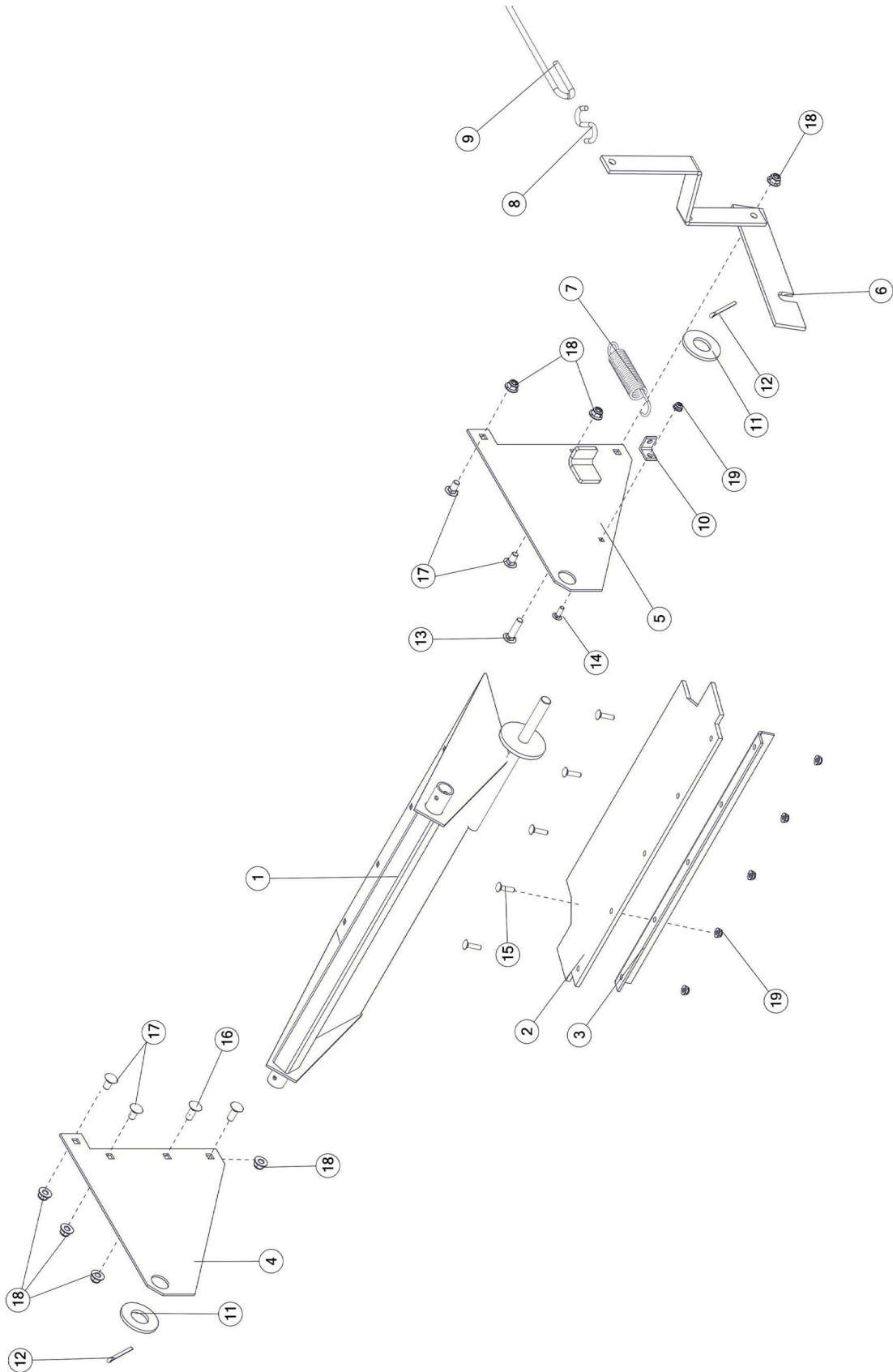


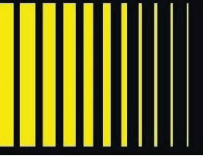
# FIGURE 7

## HUB & SPINDLE COMPONENTS

REF #	PART #	DESCRIPTION	QTY
1	25G3	UNDER AXLE	1
2	25G4	HUB	1
3	25G5	RIGHT HUB	1
4	25G30	SPINDLE	2
5	BFR273	GREASE SEAL	2
6	BFR274	BEARING CONE	4
7	BFR275	RACE	4
8	YWFL24010	WASHER FLAT, SAE 3/4 PLAIN	2
9	YNSL24010	NUT SLOT, 3/4-16 NA G2 NF	2
10	CAT46	CAP, HUB	2
11	YPCT05020	COTTER PIN 5/32 X 1-3/4	2
12	YBSD16018	BOLT STUD, 1/2 X 2-1/8 G5	8
13	CAT14	WHEEL NUT, 1/2-20 UNF, 60 DEG	8
14	BFR280ASR	WHEEL, 12X4, 4 BOLT SILVER SPOKE	2
15	25G43	TIRE, 6 X 12	2
16	YBCR12065	BOLT CARRIAGE, 3/8-16 X 3/4 G5 ZC	8
17	YBFB12225	BOLT FLANGE, 3/8 X 2-1/4 G5	2
18	YNFG12006	NUT FLANGE, 3/8 GF	10
19	78852	HUB COMPLETE	2
20	25G40	HUB W/RACES	2
21	86656	HUB & SPINDLE	2
22	25G43LSR	TIRE 6X12 ON SILVER WHEEL, LH	2
*	25G43RSR	TIRE 6X12 ON SILVER WHEEL, RH	2

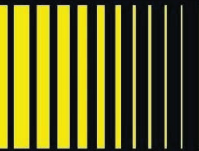






REF #	PART #	DESCRIPTION	QTY
1	25G56	PAN	1
2	25G61	PAN RUBBER	1
3	25G59	PAN ANGLE	1
4	25G60	PAN BRACKET LH	1
5	25G57	PAN BRACKET RH	1
6	95732	PAN TRIP LEVER	1
7	R27	PAN HANDLE SPRING	1
8	YMHK92005	S-HOOK, .262 X 2-1/4 X 11/16	1
9	25G62	TRIP ROPE	1
10	R26	SPRING BRACKET	1
11	R3	PAN SPACER	2
12	YPCT06020	COTTER PIN, 3/16 X 2	2
13	YBCR12015	BOLT CARRIAGE, 3/8-16 X 1-1/2 G5	1
14	YBCR08040	BOLT CARRIAGE, 1/4 X 3/4 G5	1
15	YBCR08005	BOLT CARRIAGE, 1/4 X 1 G5	5
16	YBCR12010	BOLT CARRIAGE, 3/8 X 1 G5	2
17	YBCR12065	BOLT CARRIAGE, 3/8 X 3/4 G5	4
18	YNFG12006	NUT FLANGE, 3/8 GF	7
19	YNFG08010	NUT FLANGE, 1/4 GF	6





---

---

---

---

---

---

---

---

---

---

---

---

---

---

---

---

---

---

---

---

---

---

---

---

---

---

---





# **H&S MFG. CO.**

products approved

for the

## **FEMA**

# **SEAL OF QUALITY**



Manufactured by:

**H&S MANUFACTURING CO., INC.**

2608 S. HUME AVE. MARSHFIELD, WI 54449

(715) 387-3414 | [hsmfgco.com](http://hsmfgco.com)

