



S1225
MANURE
SPREADER
PARTS BOOK

Part #91709 HSMFG011123 Rev. #03 Starting Ser. #322GD25021

STRONG HERITAGE - STRONG PEOPLE - STRONGER FUTURE



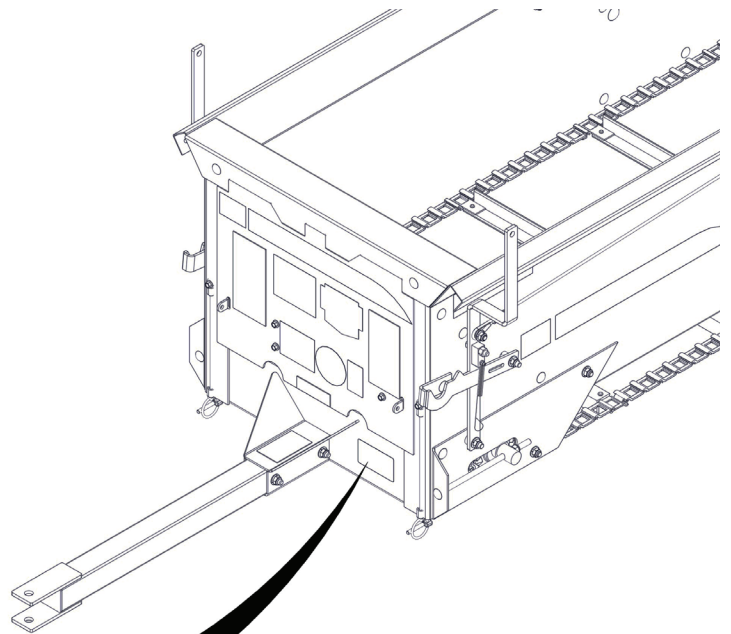
INSTRUCTIONS FOR ORDERING PARTS

All service parts should be ordered through your authorized H&S dealer. Your Dealership will be able to give you faster service if you will provide them with the following:

1. All references to left or right apply to the machine as viewed from the rear.
2. Parts should not be ordered from illustration only. Please order complete part number.
3. If your dealer has to order parts - give shipping instructions:

VIA truck - large pieces (please specify local truck lines)

VIA United Parcel Service (include full address)



H&S MFG. CO. INC.	
MARSHFIELD, WIS.	
MOD. NO.	<input type="text"/>
SER. NO.	<input type="text"/>
DESCR.	<input type="text"/>

PLEASE RECORD NUMBERS FOR YOUR UNIT FOR QUICK REFERENCE

H&S IS CONTINUALLY STRIVING TO IMPROVE ITS PRODUCTS

We must, therefore, reserve the right to make improvements or changes whenever it becomes practical to do so, without incurring any obligation to make changes or additions to the equipment previously sold.





FIGURE 1 FRONT POLE & COMPONENTS

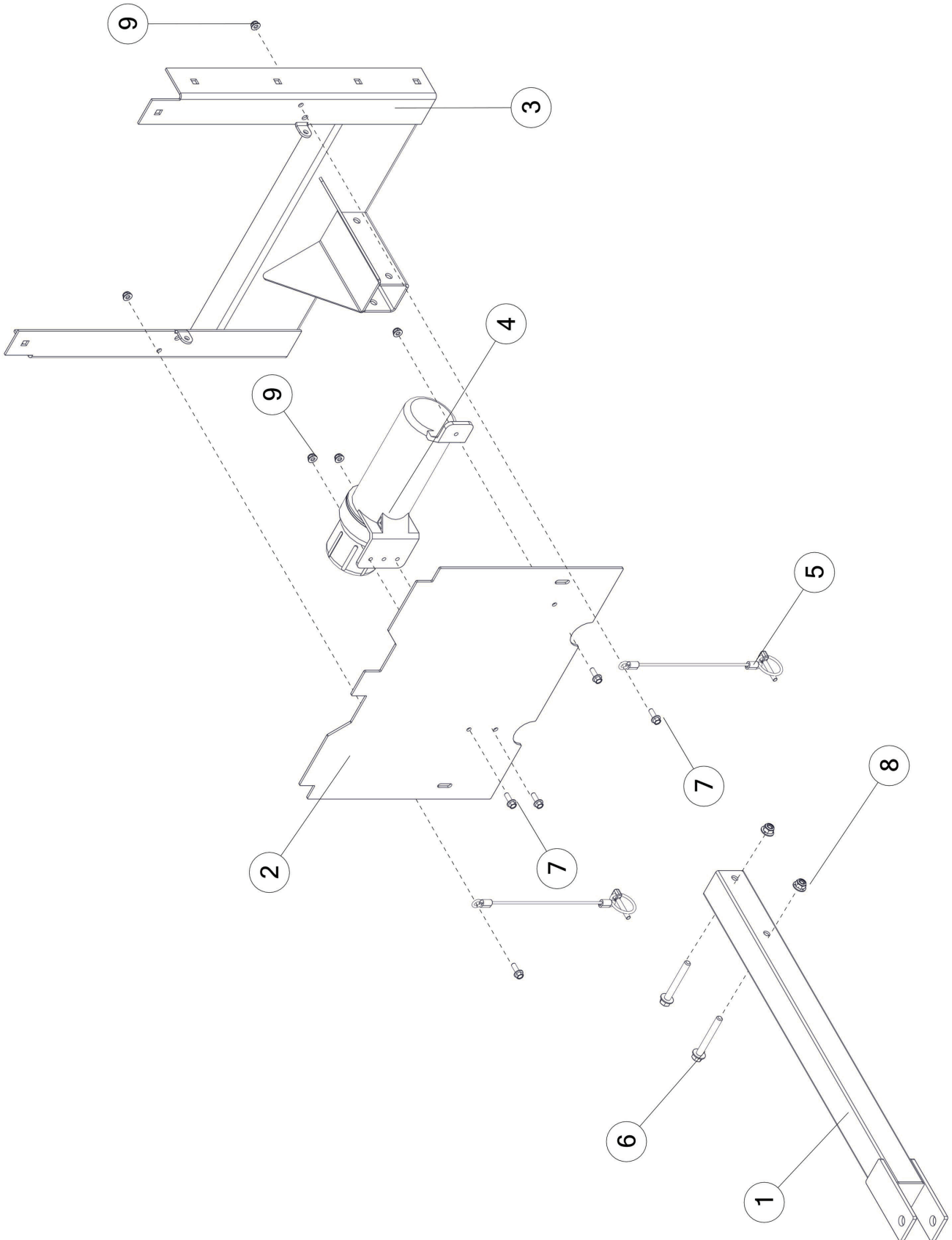




FIGURE 2 SIDE SHIELDS & COMPONENTS

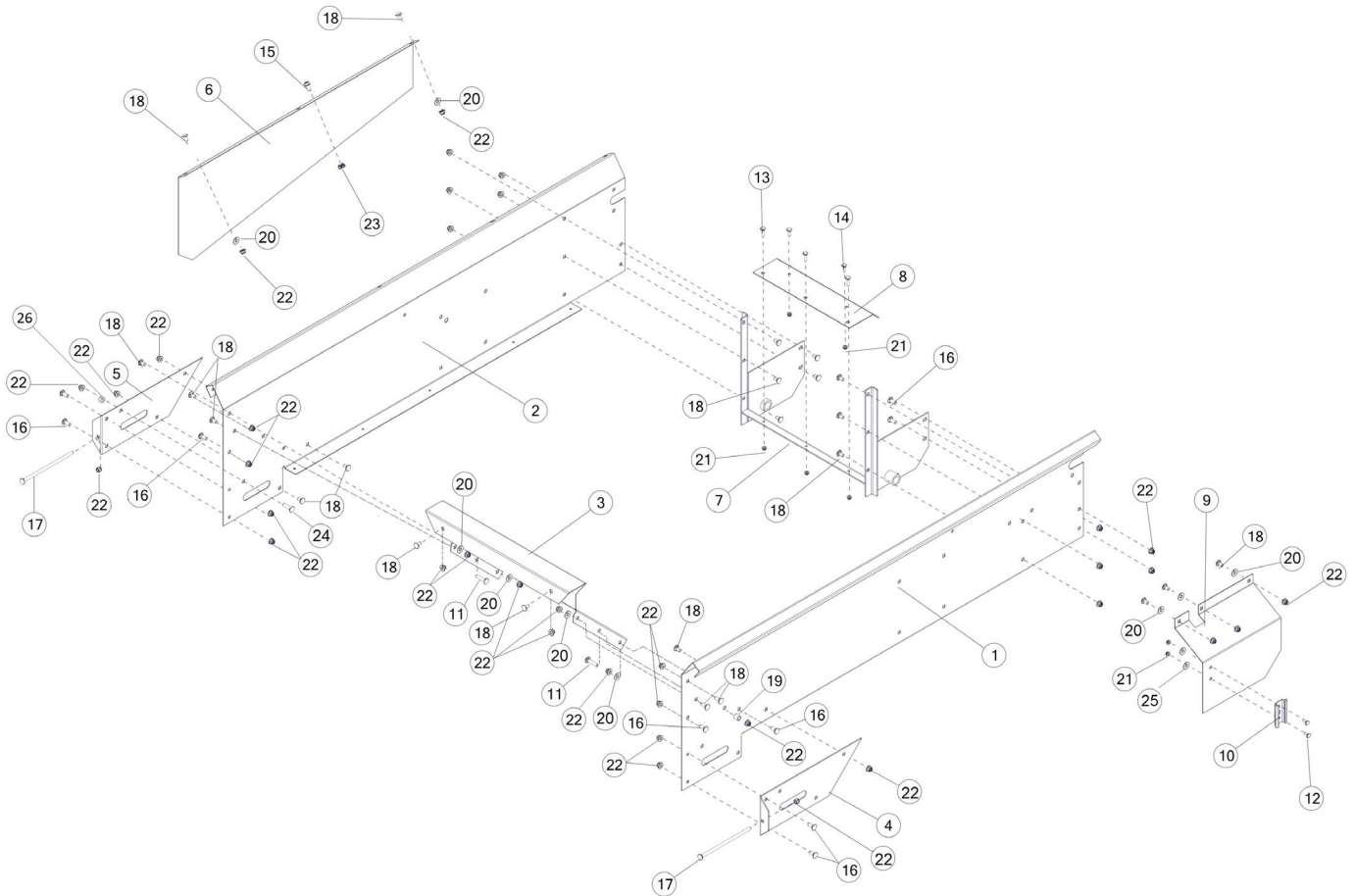
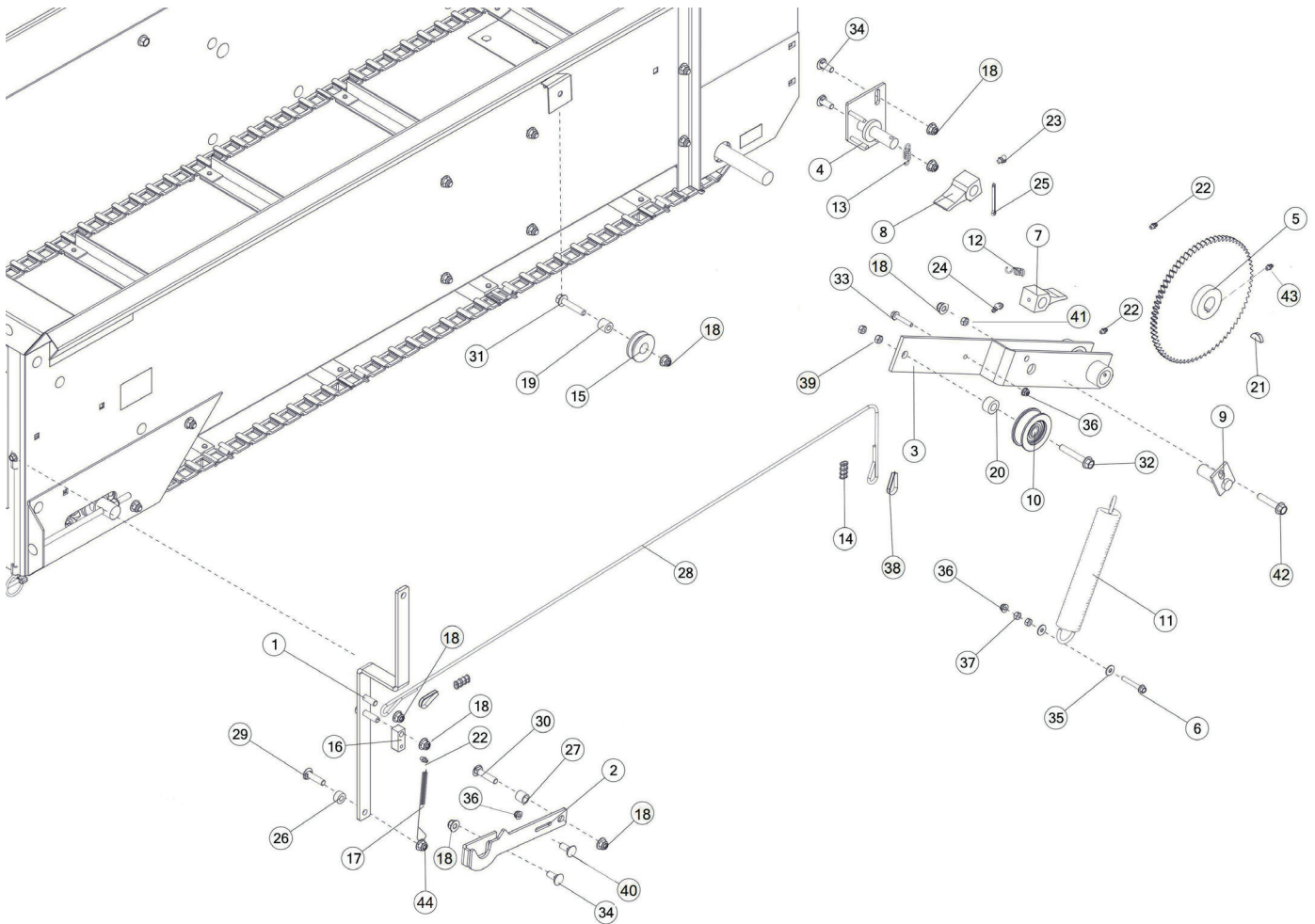




FIGURE 3 DRIVE & COMPONENTS



REF #	PART #	DESCRIPTION	QTY
1	25G11	CONTROL HANDLE	1
2	25G15	CONTROL BAR, LH	1
3	25G7	CAM	1
4	25G12	DOG PLATE	1
5	25G10	RACHET GEAR	1
6	YBFB08175	BOLT FLANGE, 1/4 X 1-3/4 G5	1
7	5N51	DRIVE DOG W/45 DEGREE ZERK	1
8	25G13	HOLDING DOG	1
9	5N26	DOG PIN	1
10	25G67	CAM ROLLER COMPLETE	1
11	K103	SPRING, ROPE RETURN SP-10	1
12	23N186	TORSION SPRING	1
13	12R3	SPRING	1
14	33625	ALUMINUM SLEEVE - 3/16 X 1	2
15	BFR292	POLY PULLEY	1
16	23N282	BRACKET, 5/8, SHIFTERDOG	1
17	23N284	SHIFTER DOG SPRING	1
18	YNFG12006	NUT FLANGE, 3/8 GF	9
19	ST81	EXTENSION SPACER, 11/16	1
20	23N94	WORM BOX SPACER	1
21	5B10	WOODRUF KEY, 1/4 X 1	1
22	G89	STRAIGHT ZERK, 1/4-28	3
23	RG51	90 DEGREE ZERK, 1/4-28	1
24	RG21	45 DEGREE GREASE ZERK	1
25	YPCT06020	COTTER PIN, 3/16 X 2	1
26	ST77	EXTENSION SPACER	1
27	S70	CROSS APRON SPACERS	1
28	25G45	APRON DRIVE CABLE, 62	1
29	YBCR12015	BOLT CARRIAGE, 3/8-16 X 1-1/2 G5 ZC	1
30	YBCR12030	BOLT CARRIAGE, 3/8-16 X 1-3/4 G5 ZC	1
31	YBFB12150	BOLT FLANGE, 3/8 X 1-1/2 G5	1
32	YBFB16250	BOLT FLANGE, 1/2 X 2-1/2 G5	1
33	YBFB08150	BOLT FLANGE, 1/4 X 1-1/2 G5	1
34	YBCR12010	BOLT CARRIAGE, 3/8-16 X 1 G5 ZC	3
35	YWFL08005	WASHER FLAT, 1/4 USS	2
36	YNFG08010	NUT FLANGE, 1/4 GF	3
37	YNHX08005	NUT HEX, 1/4 G5	2
38	ES14	THIMBLE	2





FIGURE 3 DRIVE & COMPONENTS

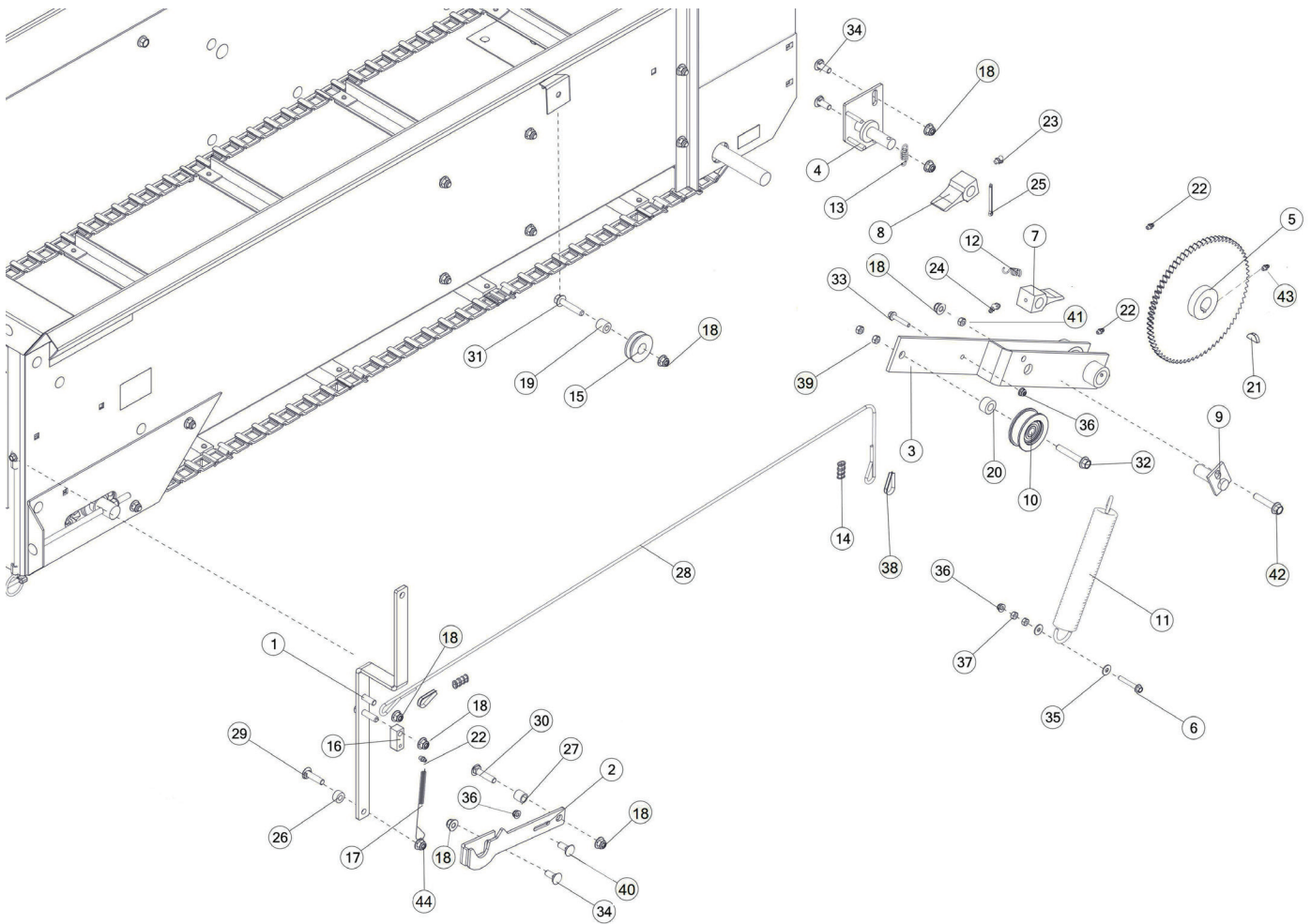




FIGURE 4 ENGAGEMENT ARM & COMPONENTS

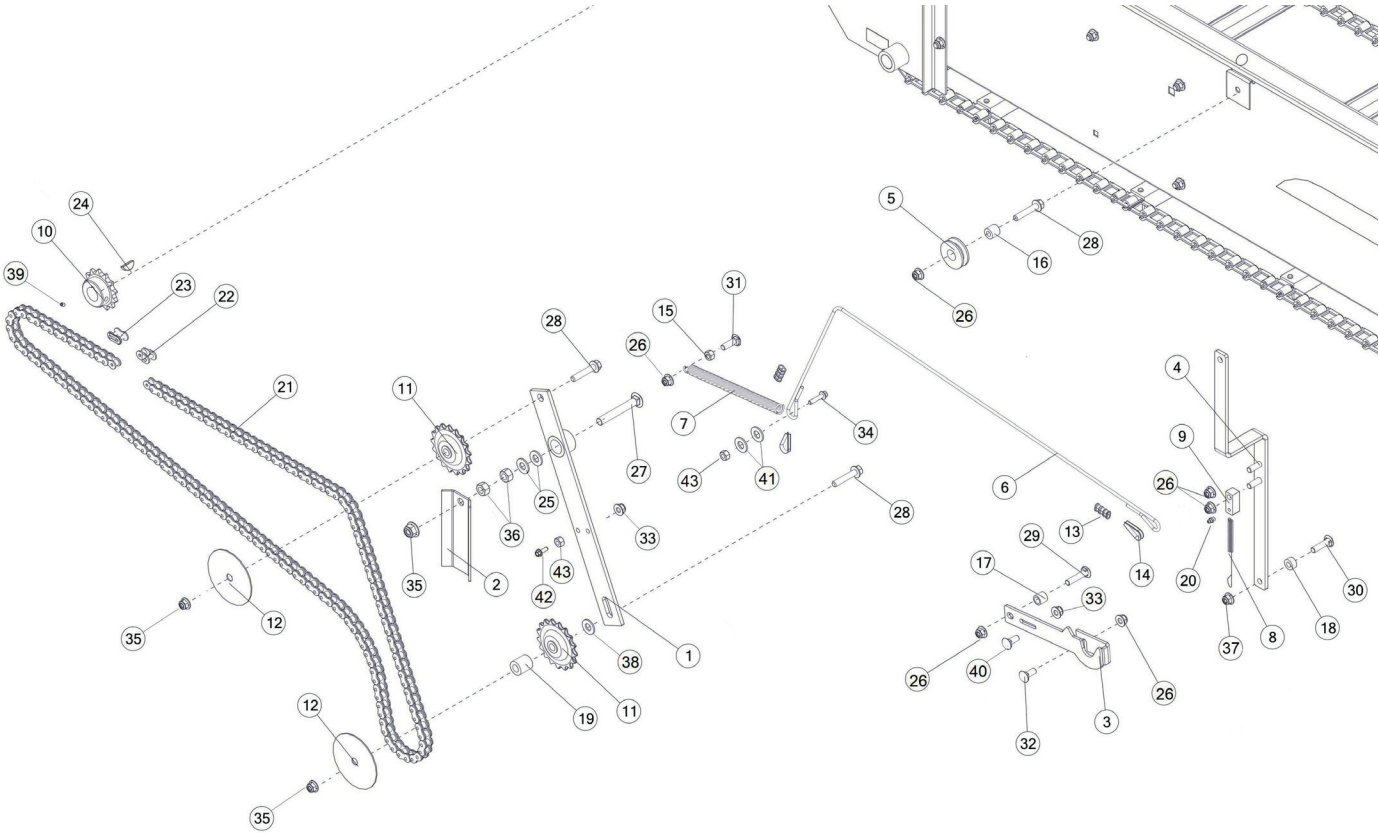




FIGURE 4

ENGAGEMENT ARM & COMPONENTS

REF #	PART #	DESCRIPTION	QTY
1	25G8	ENGAGEMENT ARM	1
2	25G53	CHAIN GUIDE	1
3	25G14	CONTROL BAR	1
4	25G12	DOG PLATE	1
5	BFR292	POLY PULLEY	1
6	25G44	APRON DRIVE CABLE, 47	1
7	25G41	SPRING	1
8	23N284	SPRING, EXT, COIL, 5-1/2 X 6.95, 1.2 SHIFTER DOG	1
9	23N282	BRACKET, 5/8, SHIFTERDOG	1
10	4C4	INPUT SHAFT SPROCKET	1
11	K101	IDLER SPROCKET, 17T	2
12	25G22	CHAIN WASHER	2
13	33625	ALUMINUM SLEEVE - 3/16 X 1	2
14	ES14	THIMBLE	2
15	YNHX12004	NUT HEX, 3/8 G2	1
16	ST81	EXTENSION SPACER, 11/16	1
17	S70	CROSS APRON SPACERS	1
18	ST77	EXTENSION SPACER	1
19	25G31	PIVOT BUSHING	1
20	G89	STRAIGHT ZERK, 14-28	1
21	25G38	ROLLER CHAIN, #50, 147P	1
22	X60	OFFSET LINK, #50	1
23	X61	CONNECTOR LINK, #50	1
24	5B10	WOODRUFF KEY, 1/4 X 1	1
25	YWFL16010	WASHER, FLAT, SAE 1/2	2
26	YNFG12006	NUT FLANGE, 3/8 GF	7
27	YBCR16037	BOLT CARRIAGE, 1/2-13 X 3 G5 ZC	1
28	YBFB16200	BOLLT FLANGE, 1/2 X 2 G5	2
29	YBCR12030	BOLT CARRIAGE, 3/8-16 X 1-3/4 G5 ZC	1
30	YBCR12015	BOLT CARRIAGE, 3/8-16 X 1-1/2 G5 ZC	1



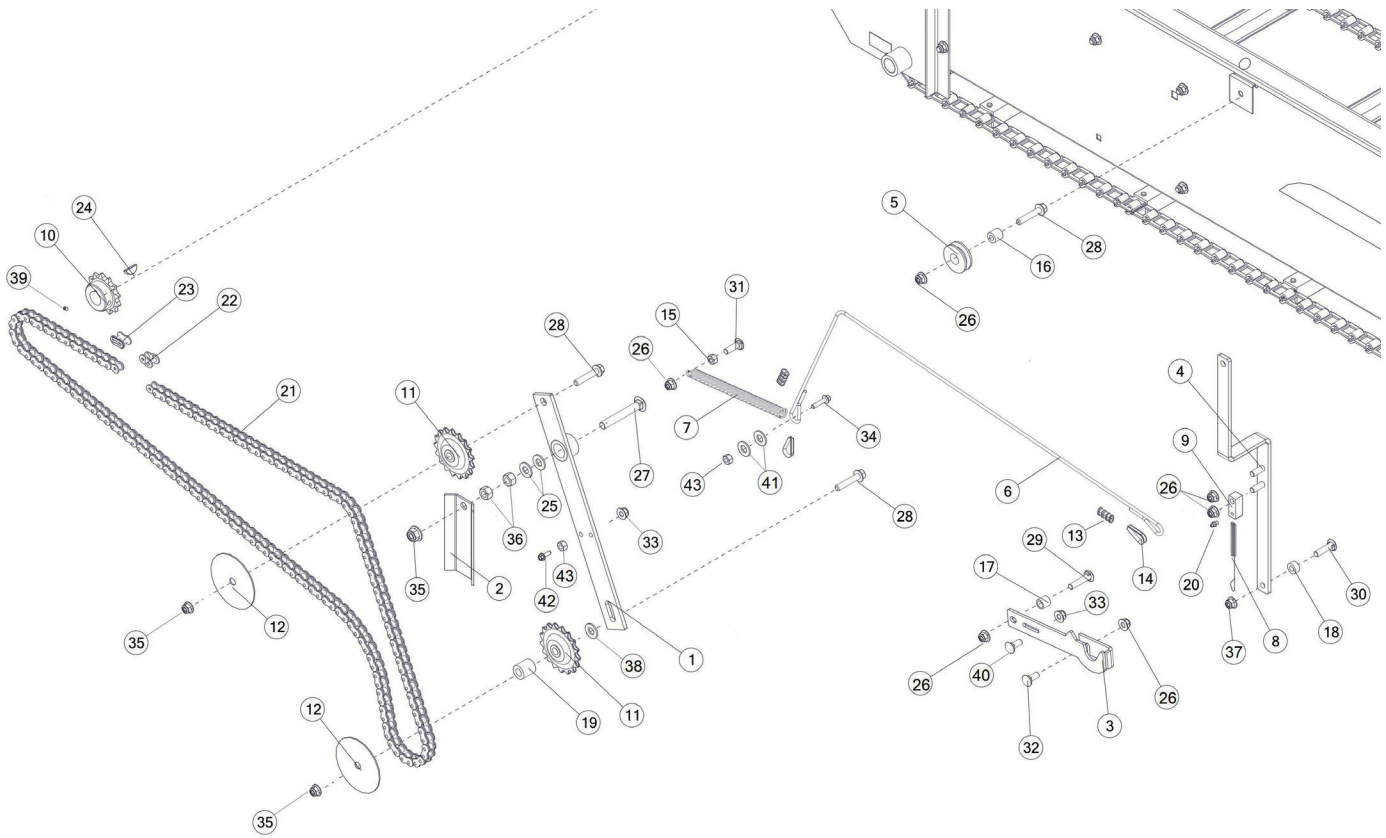




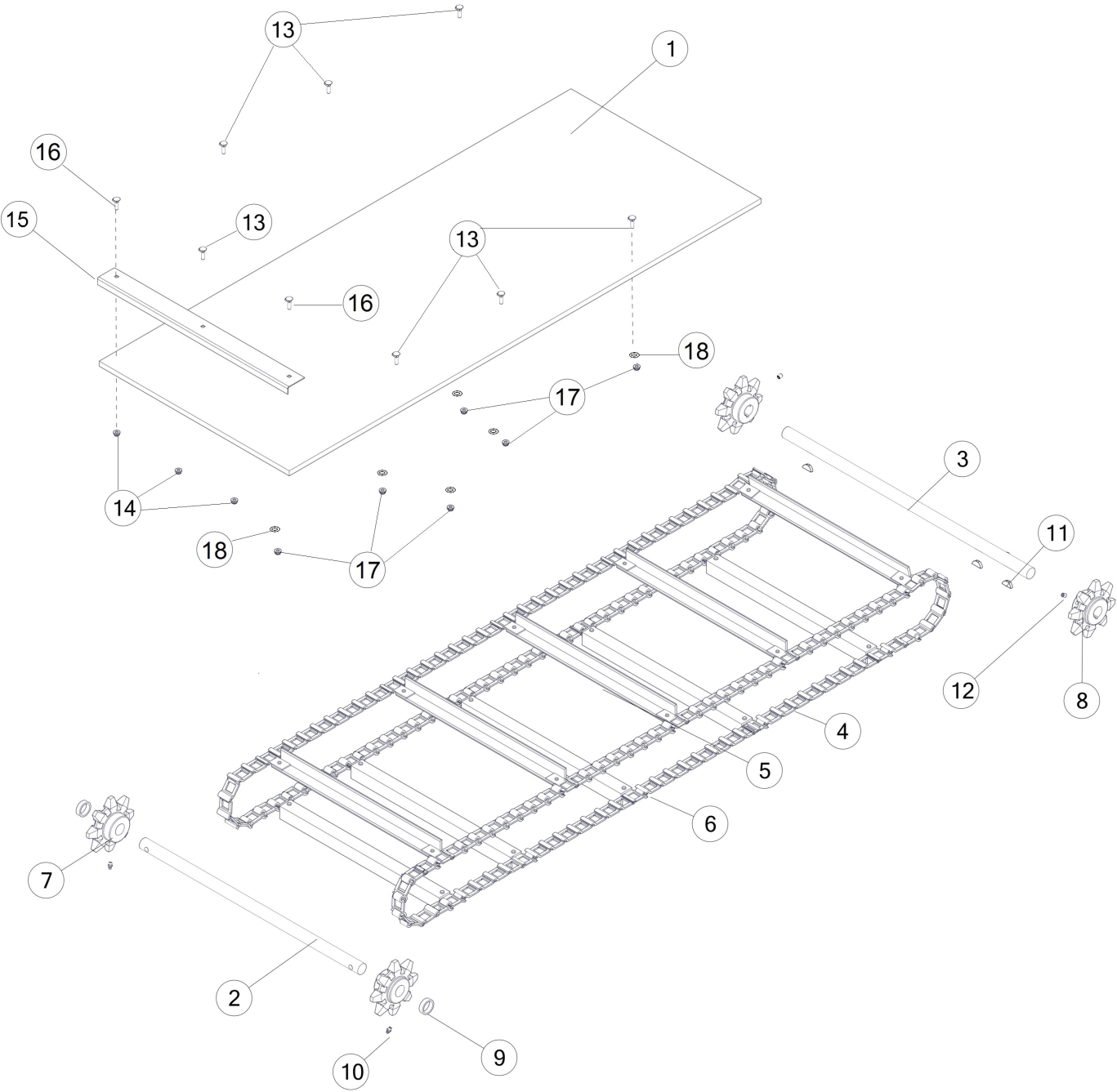
FIGURE 4 ENGAGEMENT ARM & COMPONENTS

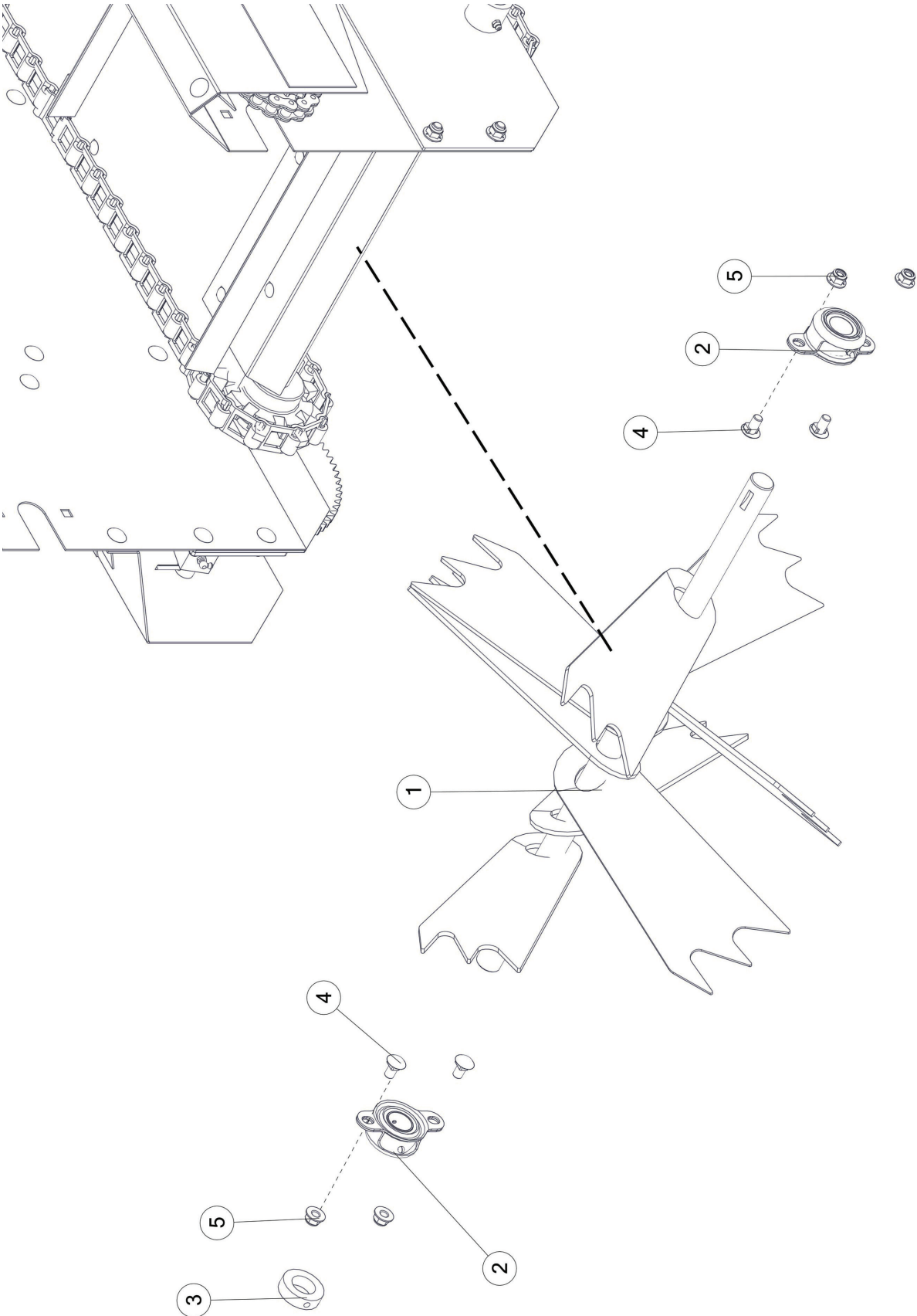
REF #	PART #	DESCRIPTION	QTY
31	YBCR12020	BOLT CARRIAGE, 3/8-16 X 1-1/4 G5 ZC	1
32	YBCR12010	BOLT CARRIAGE, 3/8-16 X 1 G5 ZC	1
33	YNFG08010	NUT FLANGE, 1/4 GF	3
34	YBFB08075	BOLT FLANGE, 1/4 X 3/4 G5	1
35	YNFG16003	NUT FLANGE, 1/2 GF	3
36	YNHX16005	NUT HEX, 1/2 G2	2
37	YNFG12006	NUT FLANGE, 3/8 GF	1
38	YWFL16005	WASHER FLAT, 1/2	2
39	YSKP12025	SCREW SET SOCKET, KNURLED CUP PT, 3/8 X 3/8	1
40	YBCR08005	BOLT CARRIAGE, 1/4 X 1 G5	1
41	YWFL10005	WASHER FLAT, 5/16	2
42	YBFB08100	BOLT FLANGE, 1/4 X 1 G5	1
43	YNHX08005	NUT HEX, 1/4 G5	2

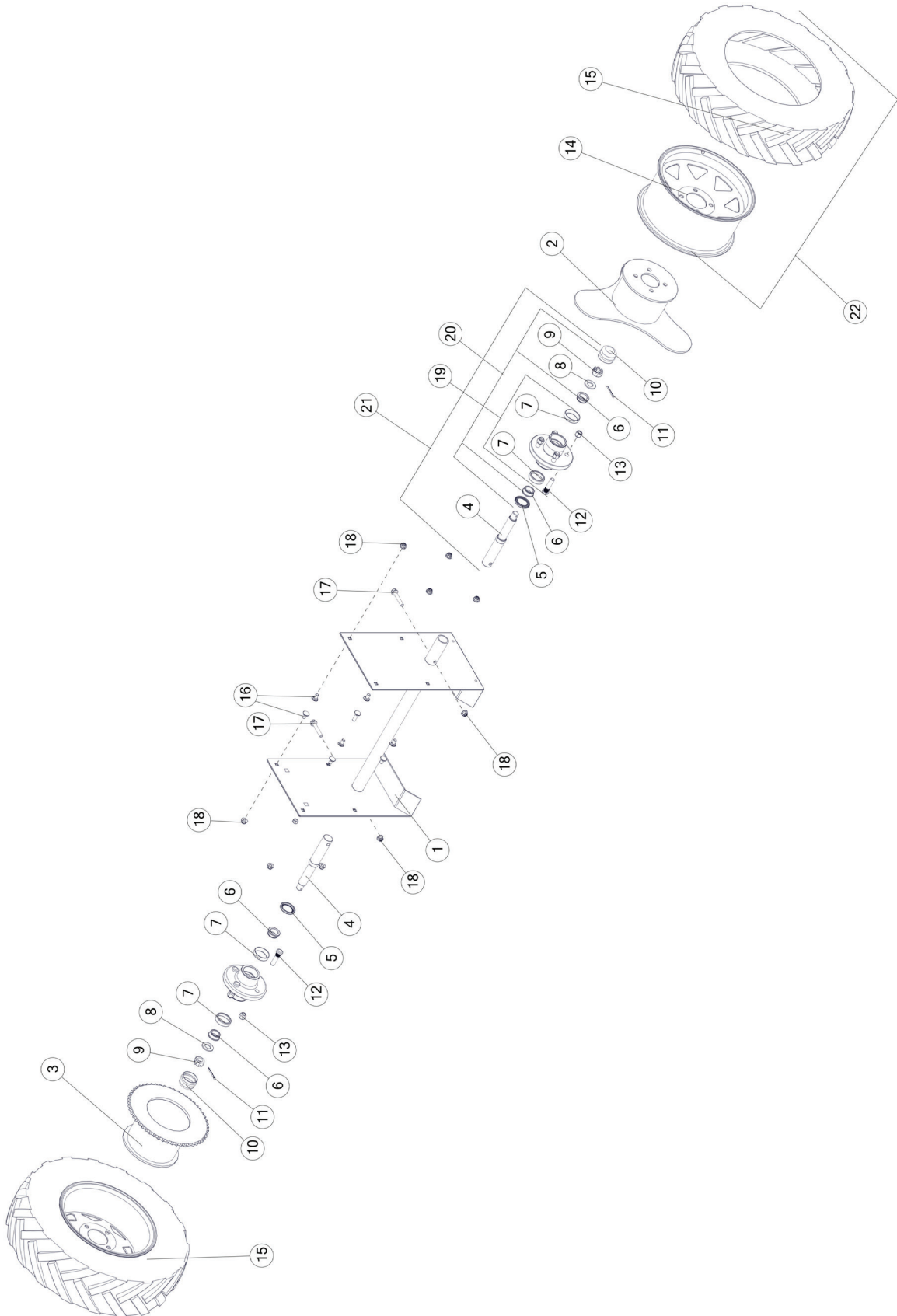


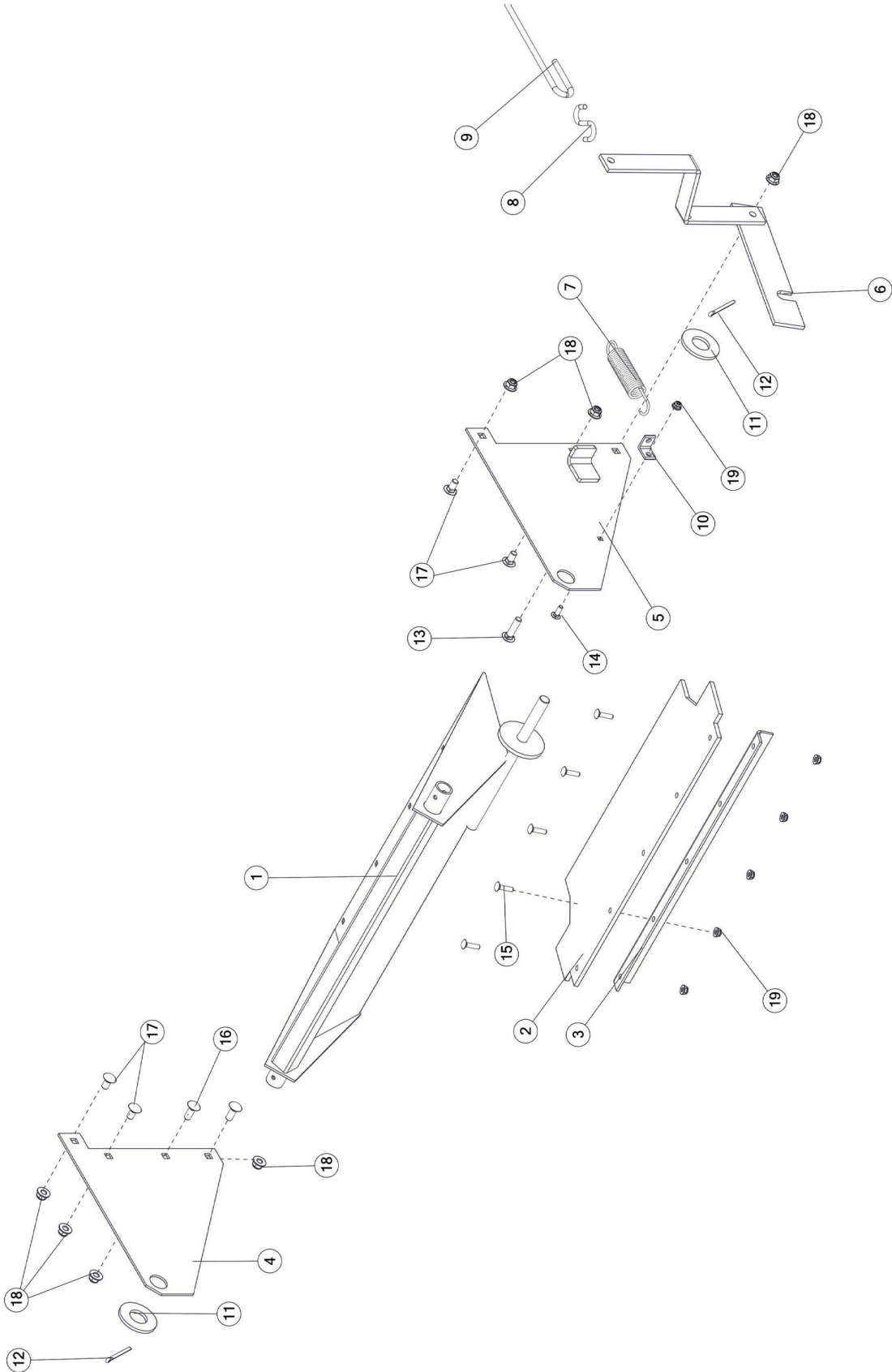
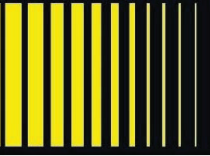


FIGURE 5 APRON CHAIN & COMPONENTS











H&S MFG. CO.

products approved

for the

FEMA

SEAL OF QUALITY



Manufactured by:

H&S MANUFACTURING CO., INC.

2608 S. HUME AVE. MARSHFIELD, WI 54449

(715) 387-3414 | hsmfgco.com

