



PARTS BOOK

S1225

MANURE SPREADER

Part #91709

Rev. #04

HSMFG102623

Starting Ser. #422GD25001



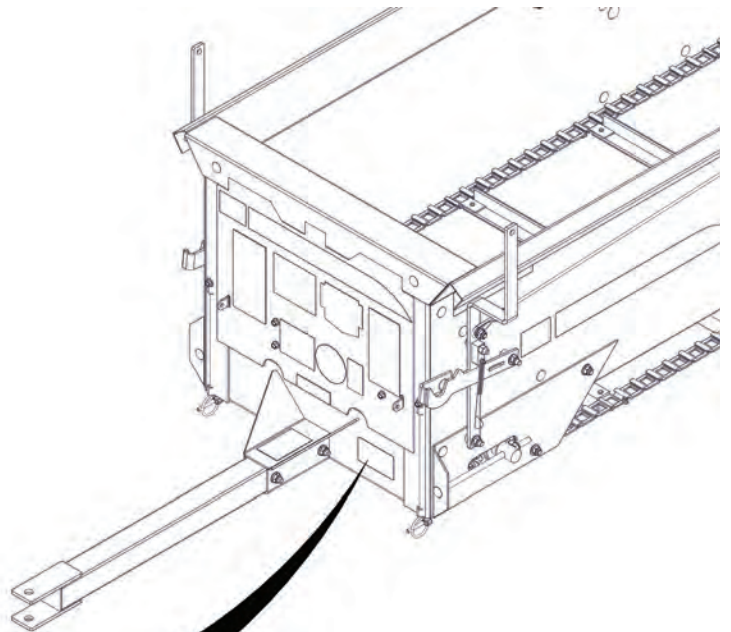
INSTRUCTIONS FOR ORDERING PARTS

All service parts should be ordered through your authorized H&S dealer. Your Dealership will be able to give you faster service if you will provide them with the following:

1. All references to left or right apply to the machine as viewed from the rear.
2. Parts should not be ordered from illustration only. Please order complete part number.
3. If your dealer has to order parts - give shipping instructions:

VIA truck - large pieces (please specify local truck lines)

VIA United Parcel Service (include full address)



H&S MFG. CO. INC. MARSHFIELD, WIS.	
MOD. NO.	<input type="text"/>
SER. NO.	<input type="text"/>
DESCR.	<input type="text"/>

PLEASE RECORD NUMBERS FOR YOUR UNIT FOR QUICK REFERENCE

H&S IS CONTINUALLY STRIVING TO IMPROVE ITS PRODUCTS

We must, therefore, reserve the right to make improvements or changes whenever it becomes practical to do so, without incurring any obligation to make changes or additions to the equipment previously sold.





FIGURE 1
FRONT POLE & COMPONENTS

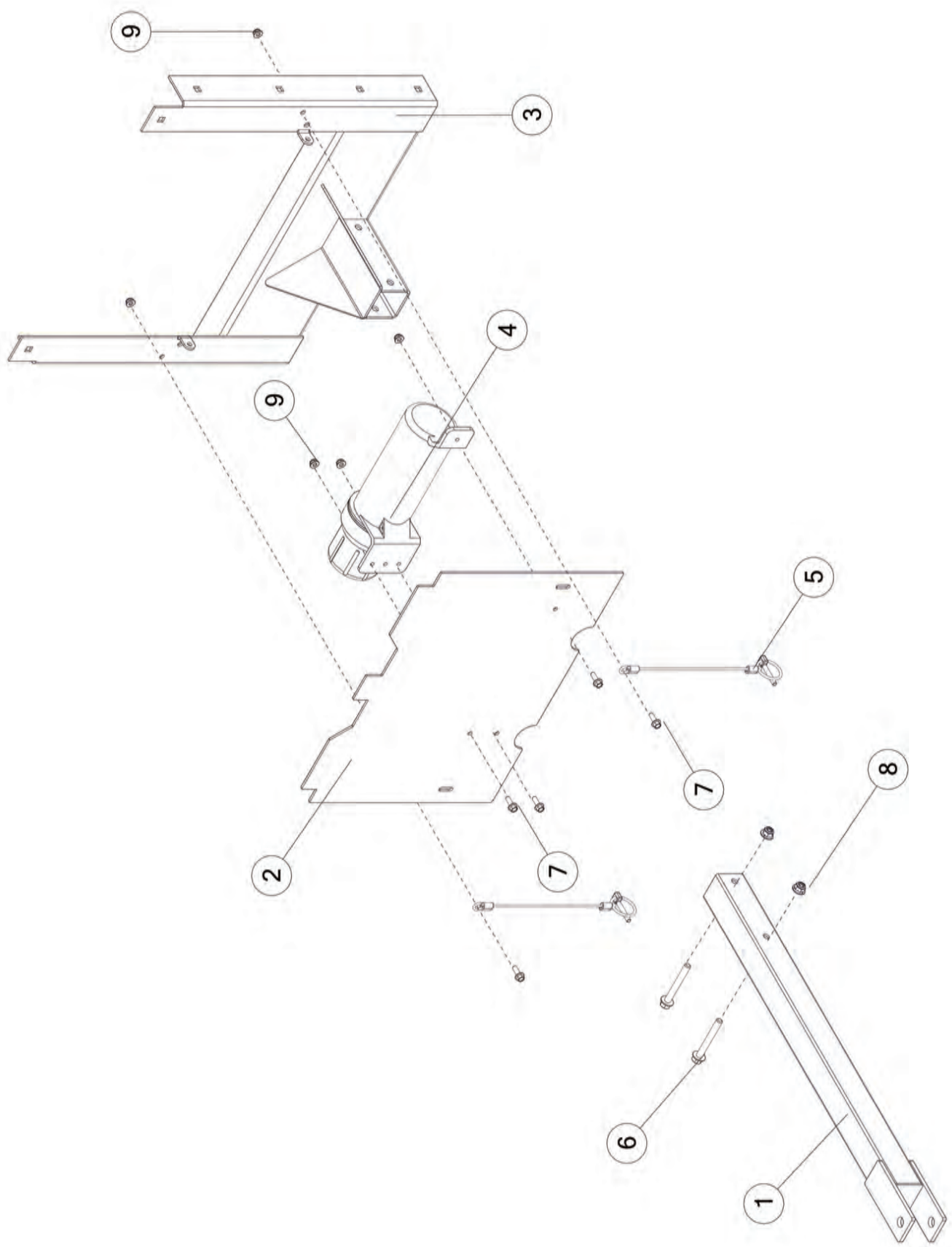
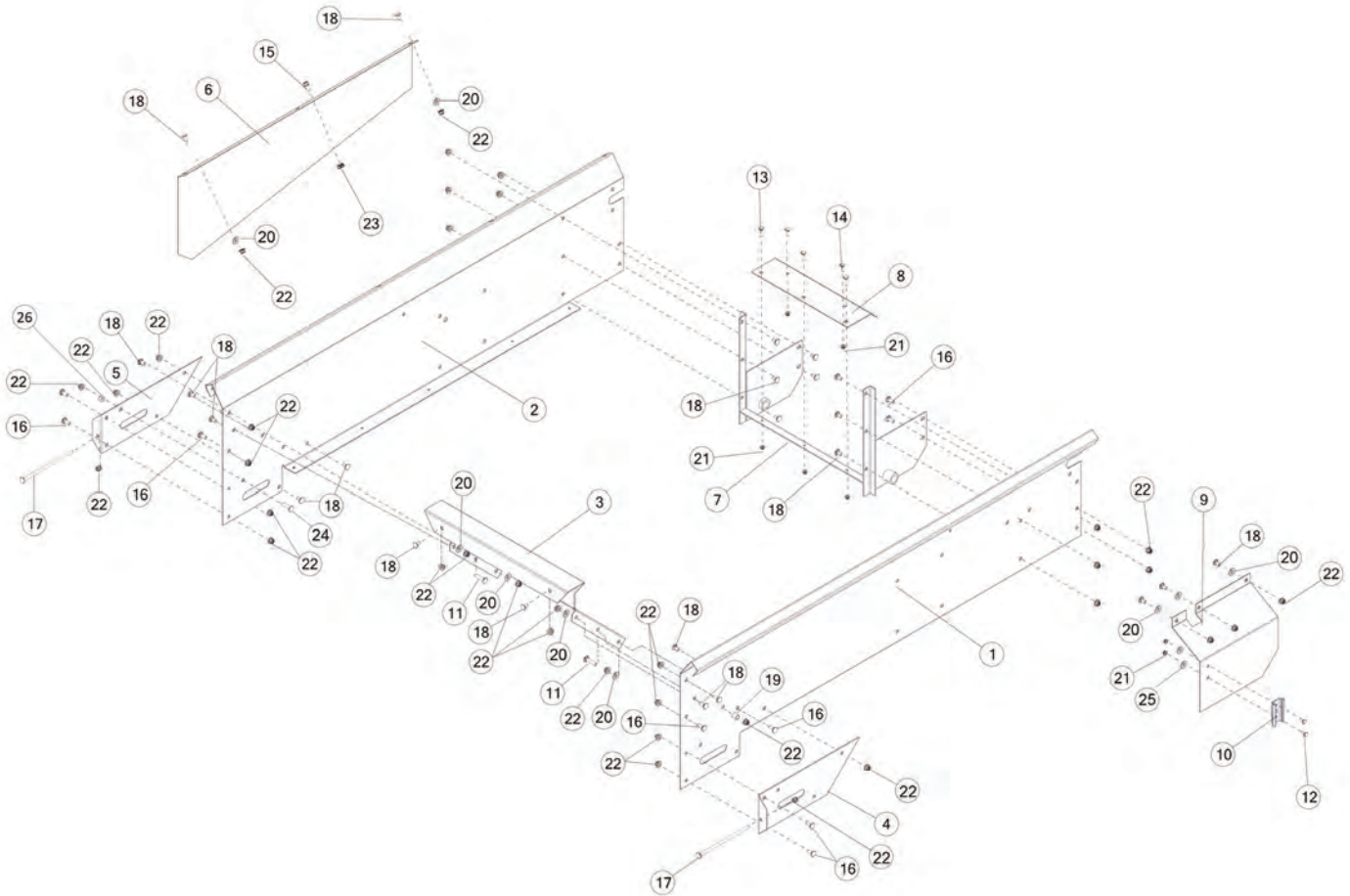
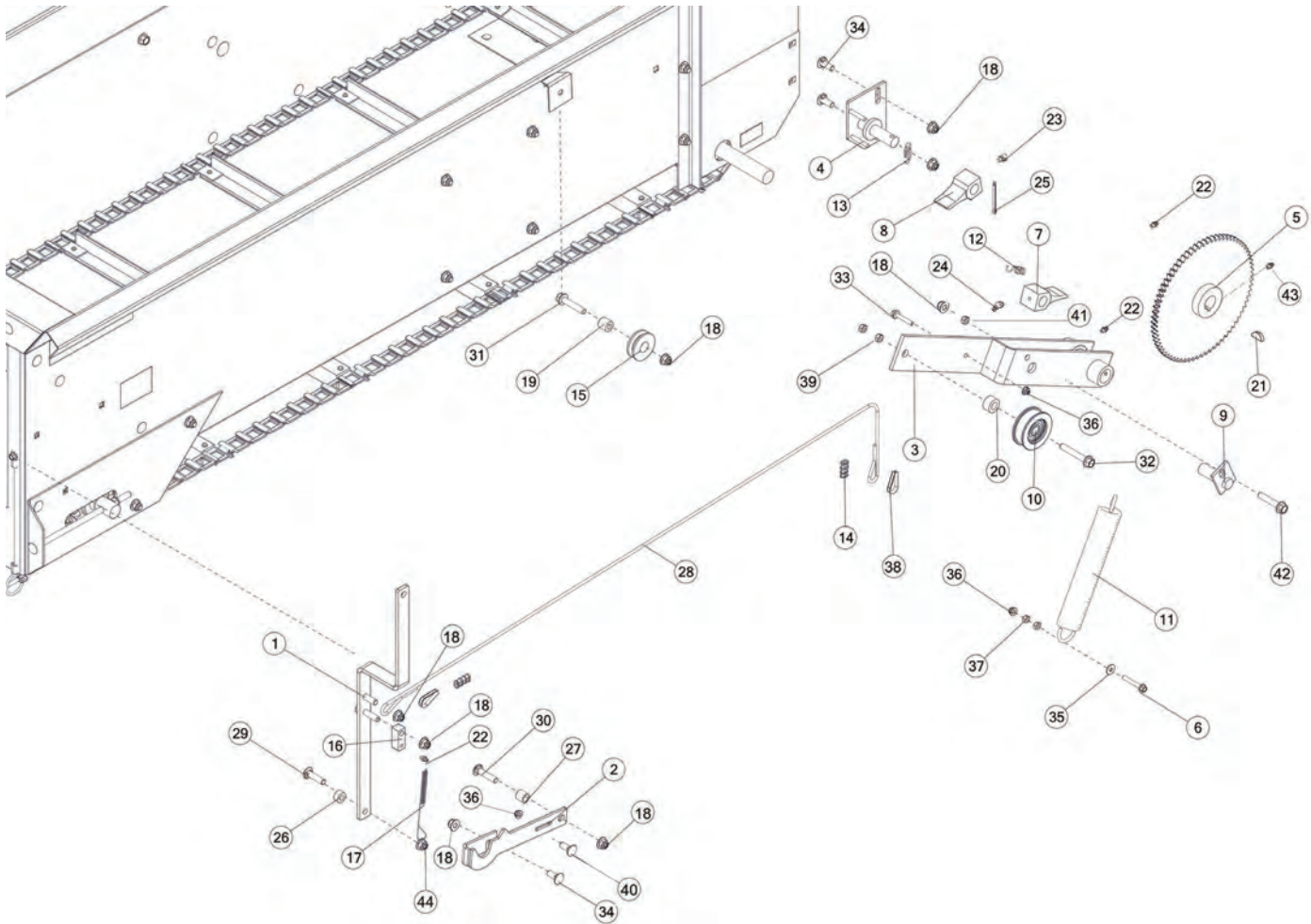




FIGURE 2 SIDE SHIELDS & COMPONENTS





REF #	PART #	DESCRIPTION	QTY
1	25G11	CONTROL HANDLE	1
2	25G15	CONTROL BAR, LH	1
3	25G7	CAM	1
4	25G12	DOG PLATE	1
5	25G10	RACHET GEAR	1
6	YBFB08175	BOLT FLANGE, 1/4 X 1-3/4 G5	1
7	5N51	DRIVE DOG W/45 DEGREE ZERK	1
8	25G13	HOLDING DOG	1
9	5N26	DOG PIN	1
10	25G67	CAM ROLLER COMPLETE	1
11	K103	SPRING, ROPE RETURN SP-10	1
12	23N186	TORSION SPRING	1
13	12R3	SPRING	1
14	33625	ALUMINUM SLEEVE - 3/16 X 1	2
15	BFR292	POLY PULLEY	1

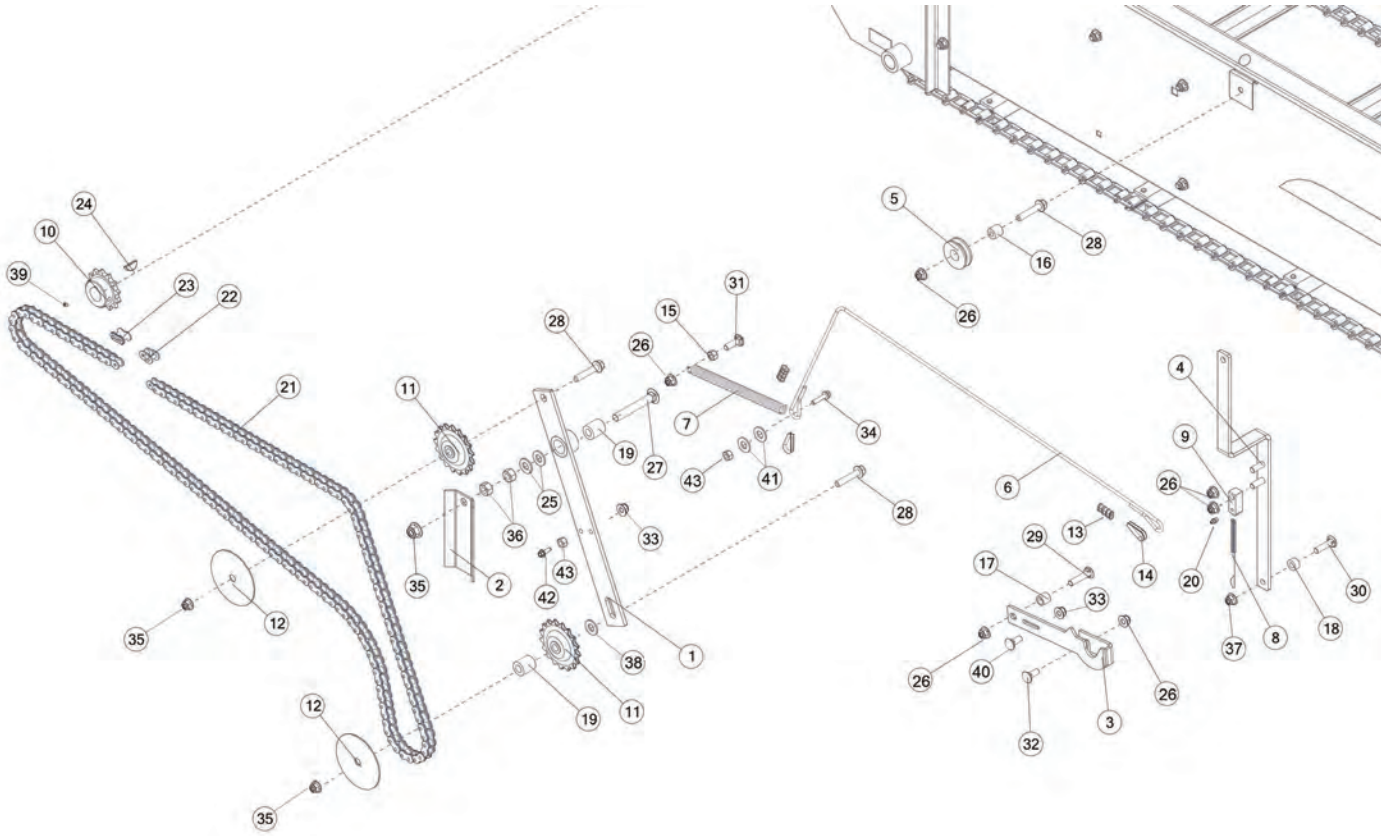


FIGURE 3

DRIVE & COMPONENTS

REF #	PART #	DESCRIPTION	QTY
16	23N282	BRACKET, 5/8, SHIFTERDOG	1
17	23N284	SHIFTER DOG SPRING	1
18	YNFG12006	NUT FLANGE, 3/8 GF	9
19	98144	SPACER	1
20	23N94	WORM BOX SPACER	1
21	5B10	WOODRUF KEY, 1/4 X 1	1
22	G89	STRAIGHT ZERK, 1/4-28	3
23	RG51	90 DEGREE ZERK, 1/4-28	1
24	RG21	45 DEGREE GREASE ZERK	1
25	YPCT06020	COTTER PIN, 3/16 X 2	1
26	ST77	EXTENSION SPACER	1
27	S70	CROSS APRON SPACERS	1
28	25G45	APRON DRIVE CABLE, 62	1
29	YBCR12015	BOLT CARRIAGE, 3/8-16 X 1-1/2 G5 ZC	1
30	YBCR12030	BOLT CARRIAGE, 3/8-16 X 1-3/4 G5 ZC	1
31	YBFB12150	BOLT FLANGE, 3/8 X 1-1/2 G5	1
32	YBFB16250	BOLT FLANGE, 1/2 X 2-1/2 G5	1
33	YBFB08150	BOLT FLANGE, 1/4 X 1-1/2 G5	1
34	YBCR12010	BOLT CARRIAGE, 3/8-16 X 1 G5 ZC	3
35	YWFL08005	WASHER FLAT, 1/4 USS	1
36	YNFG08010	NUT FLANGE, 1/4 GF	3
37	YNHX08005	NUT HEX, 1/4 G5	2
38	ES14	THIMBLE	2
39	YNJM16006	NUT, JAM, 1/2 A	2
40	YBCR08005	BOLT CARRIAGE, 1/4 X 1 G5	1
41	YNHX12004	NUT HEX, 3/8 G2	1
42	YBHH12061	BOLT HEX, FT, 3/8-16 X 1-3/4 G5 ZC	1
43	YSKP10010	SCREW SOCKET HEAD, 5/16 X 3/8	1
44	YNFG12006	NUT FLANGE, 3/8 GF	1





REF #	PART #	DESCRIPTION	QTY
1	25G8	ENGAGEMENT ARM	1
2	25G53	CHAIN GUIDE	1
3	25G14	CONTROL BAR	1
4	25G12	DOG PLATE	1
5	BFR292	POLY PULLEY	1
6	25G44	APRON DRIVE CABLE, 47	1
7	25G41	SPRING	1
8	23N284	SPRING, EXT, COIL, 5-1/2 X 6.95, 1.2 SHIFTER DOG	1
9	23N282	BRACKET, 5/8, SHIFTERDOG	1
10	4C4	INPUT SHAFT SPROCKET	1
11	K101	IDLER SPROCKET, 17T	2
12	25G22	CHAIN WASHER	2
13	33625	ALUMINUM SLEEVE - 3/16 X 1	2
14	ES14	THIMBLE	2
15	YNHX12004	NUT HEX, 3/8 G2	1



FIGURE 5 APRON CHAIN & COMPONENTS

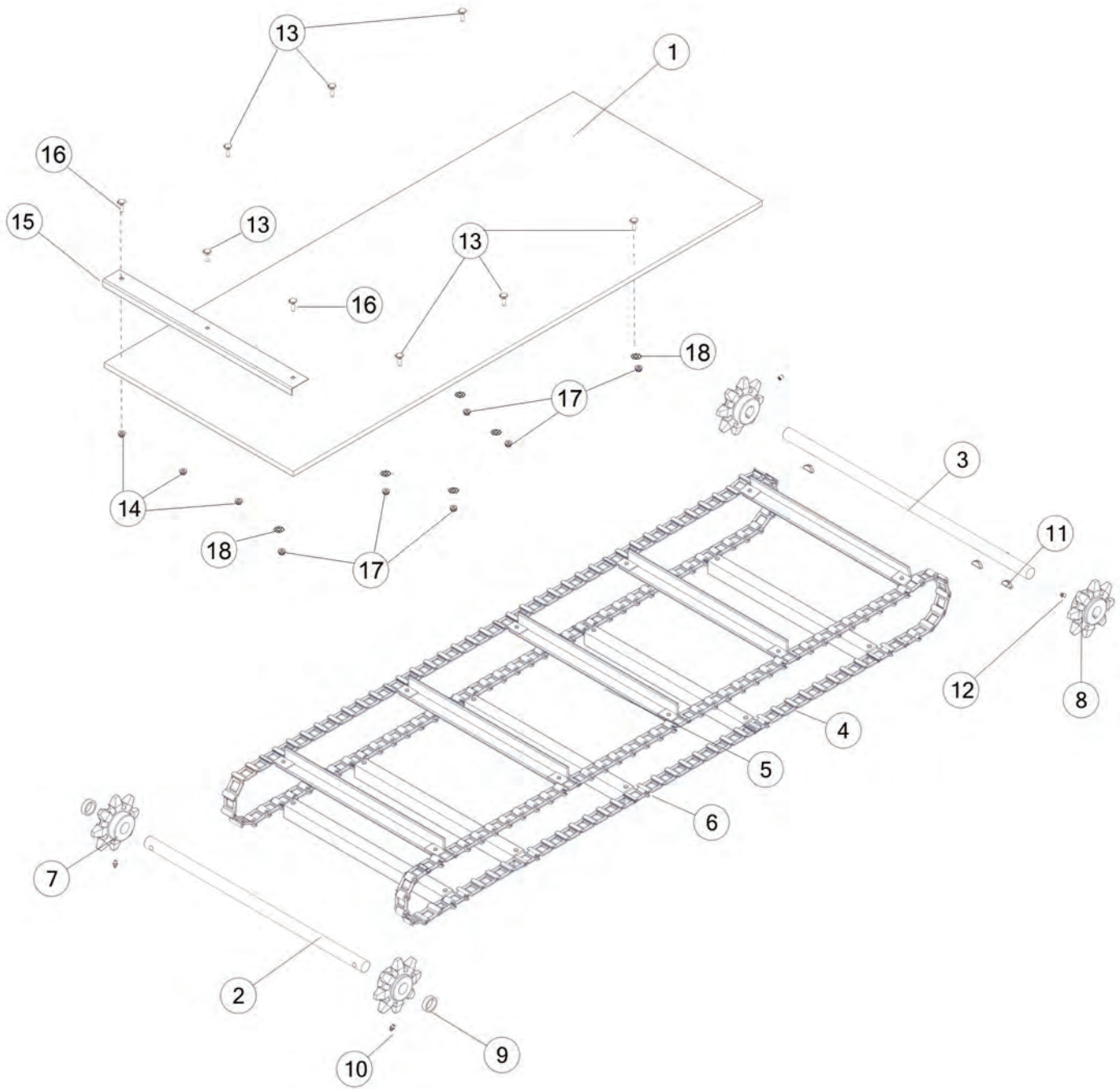
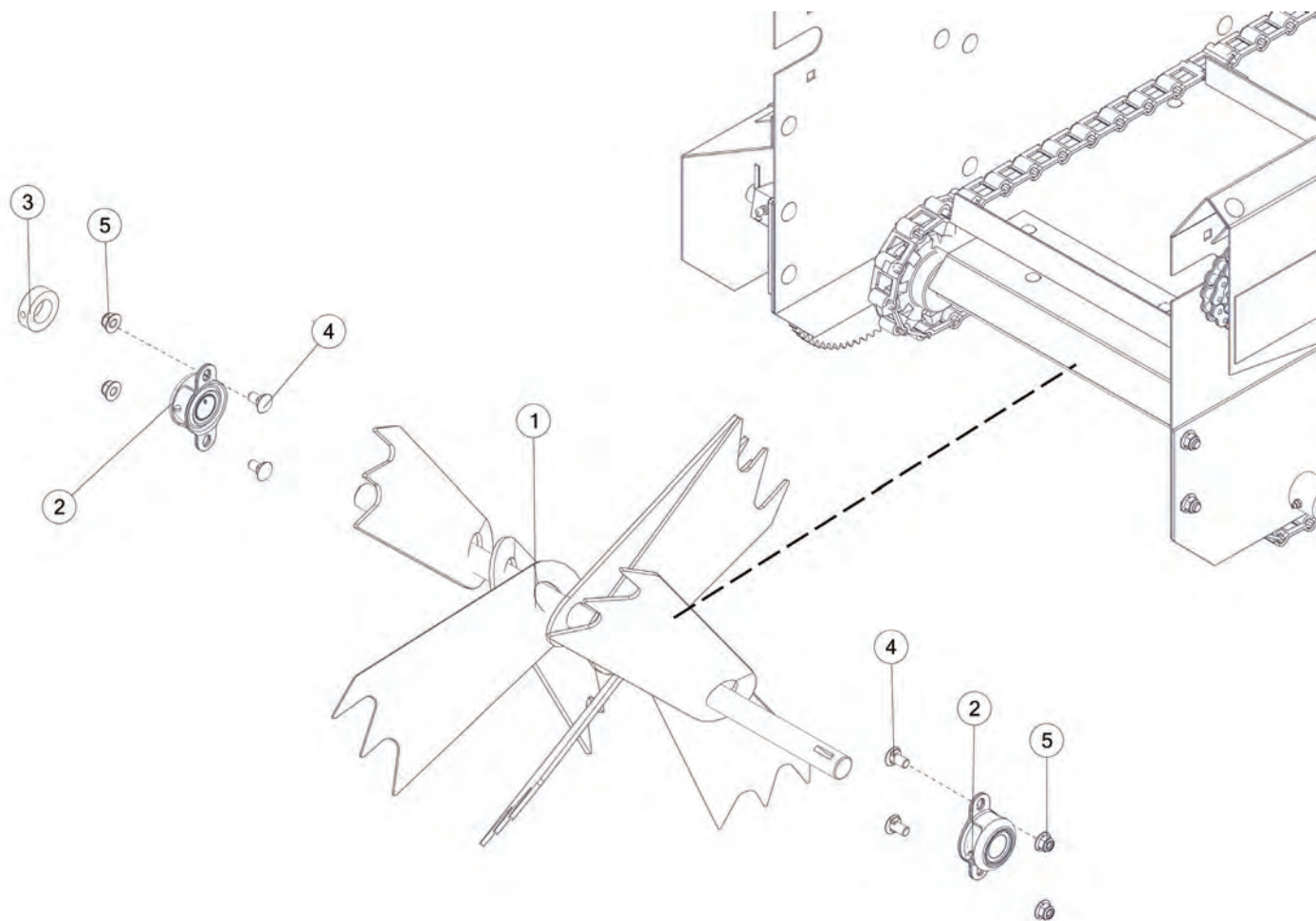
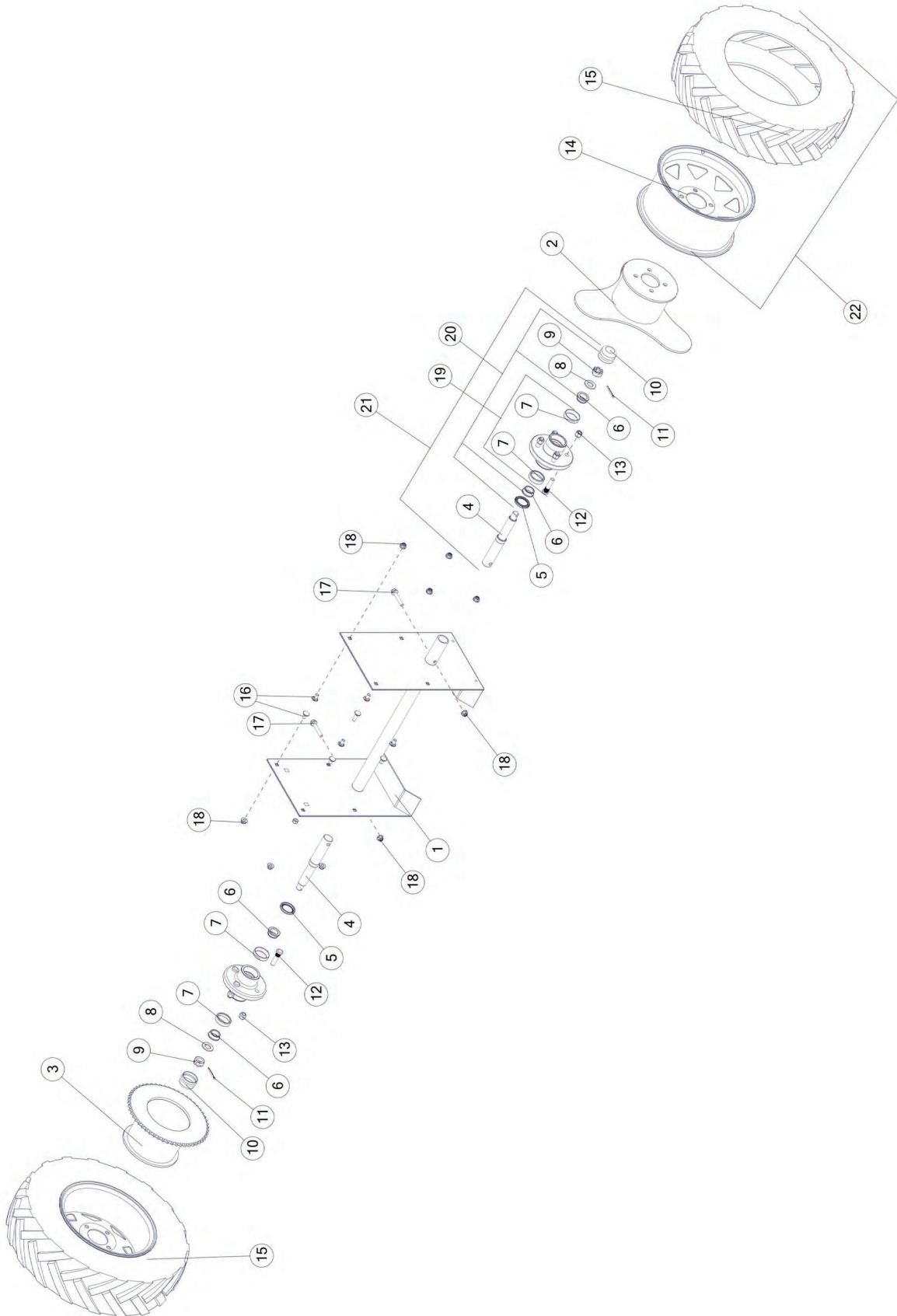
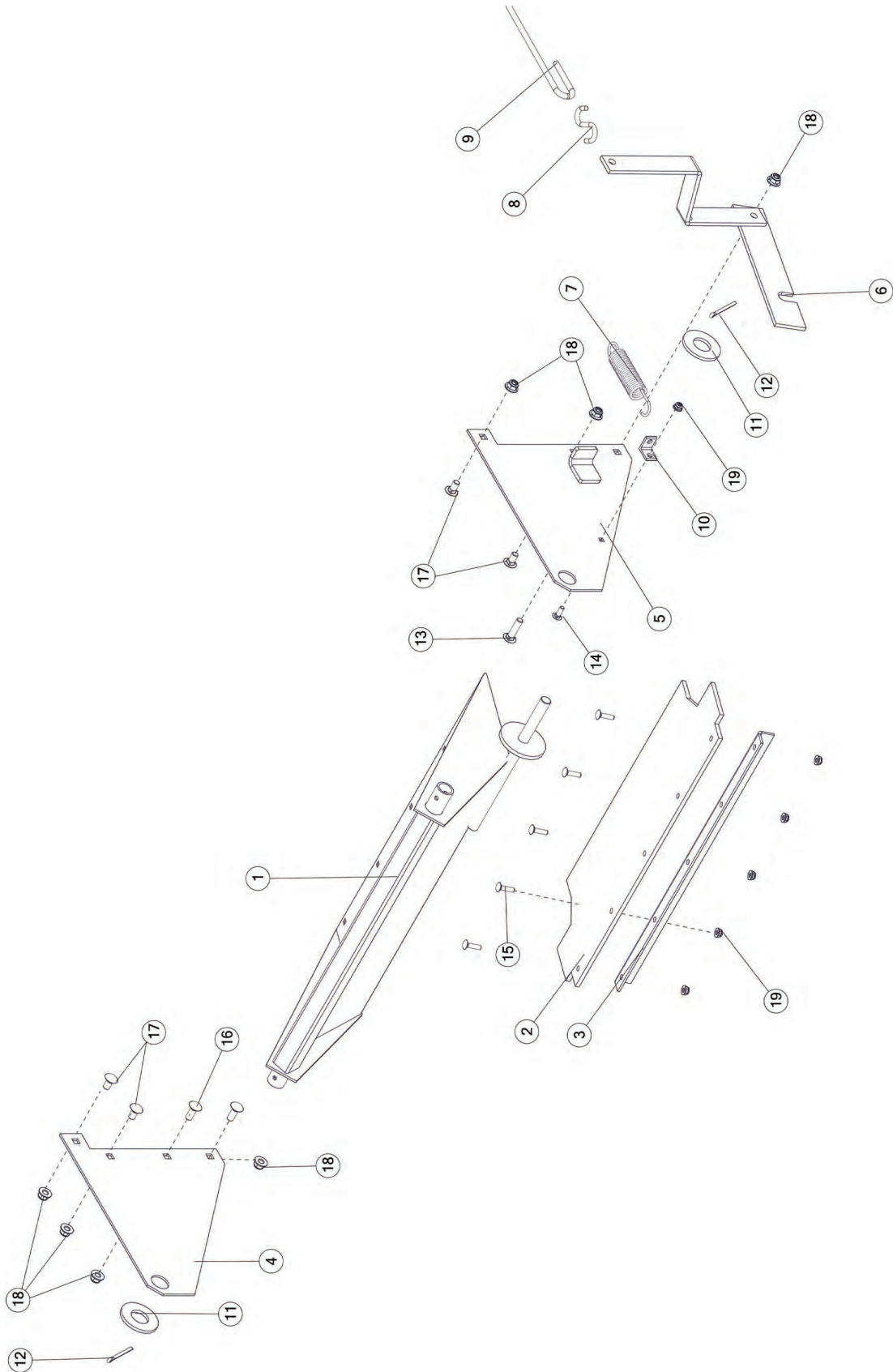




FIGURE 6 BEATER & COMPONENTS











Manufactured By:

H&S MANUFACTURING CO., INC.

2608 S. HUME AVE. MARSHFIELD, WI 54449

(715) 387-3414 | hsmfgco.com

