



**S1250  
MANURE  
SPREADER  
PARTS BOOK**

Part #93351 HSMFG080121 Rev. #00 Starting Ser. #222GD50001

**STRONG HERITAGE - STRONG PEOPLE - STRONGER FUTURE**





# INSTRUCTIONS FOR ORDERING PARTS

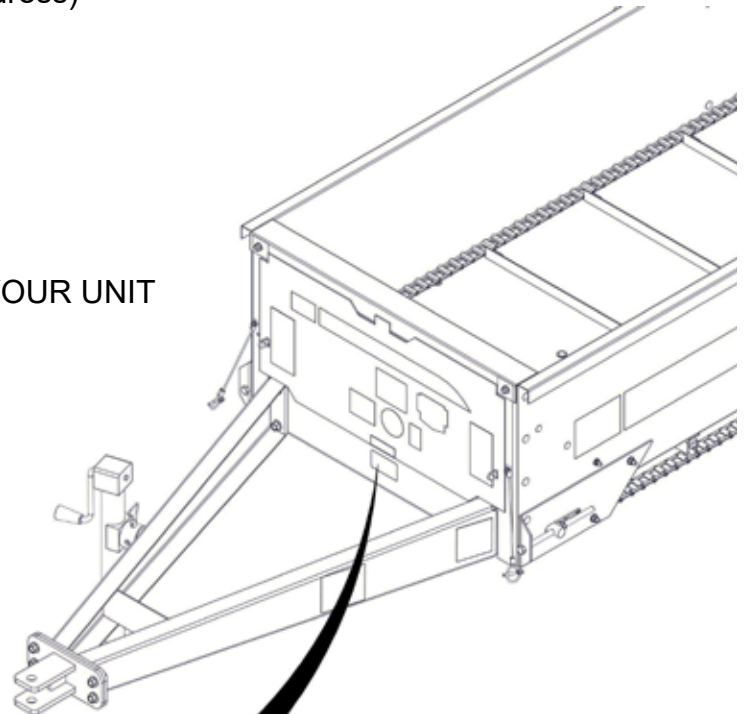
All service parts should be ordered through your authorized H&S dealer. Your Dealership will be able to give you faster service if you will provide them with the following:

1. All references to left or right apply to the machine as viewed from the rear.
2. Parts should not be ordered from illustration only. Please order complete part number.
3. If your dealer has to order parts - give shipping instructions:

VIA truck - large pieces (please specify local truck lines)

VIA United Parcel Service (include full address)

PLEASE RECORD NUMBERS FOR YOUR UNIT  
FOR QUICK REFERENCE



<b>H&amp;S MFG. CO. INC.</b> MARSHFIELD, WIS.	
MOD. NO.	<input type="text"/>
SER. NO.	<input type="text"/>
DESCR.	<input type="text"/>

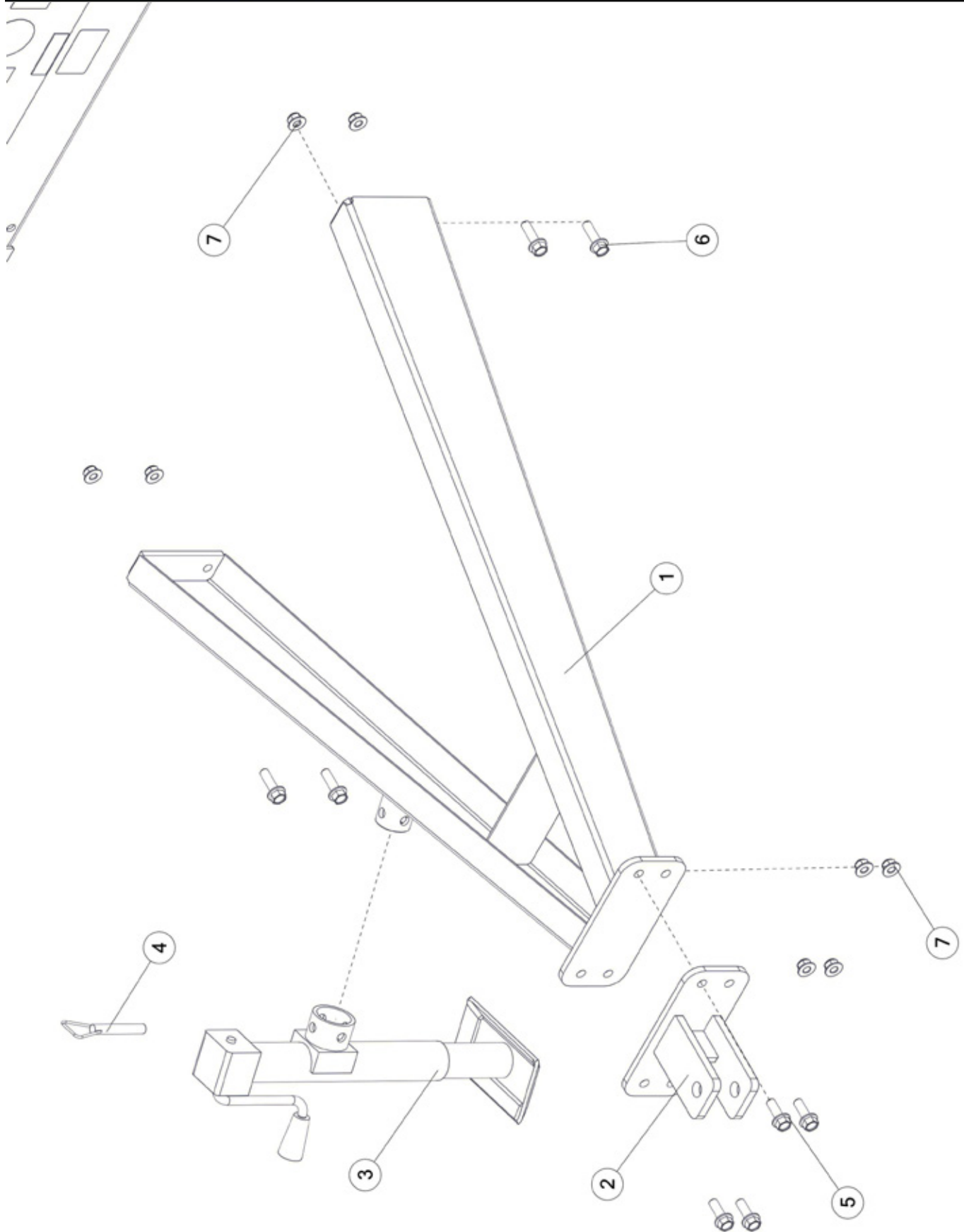
H&S IS CONTINUALLY STRIVING TO IMPROVE ITS PRODUCTS

We must, therefore, reserve the right to make improvements or changes whenever it becomes practical to do so, without incurring any obligation to make changes or additions to the equipment previously sold.





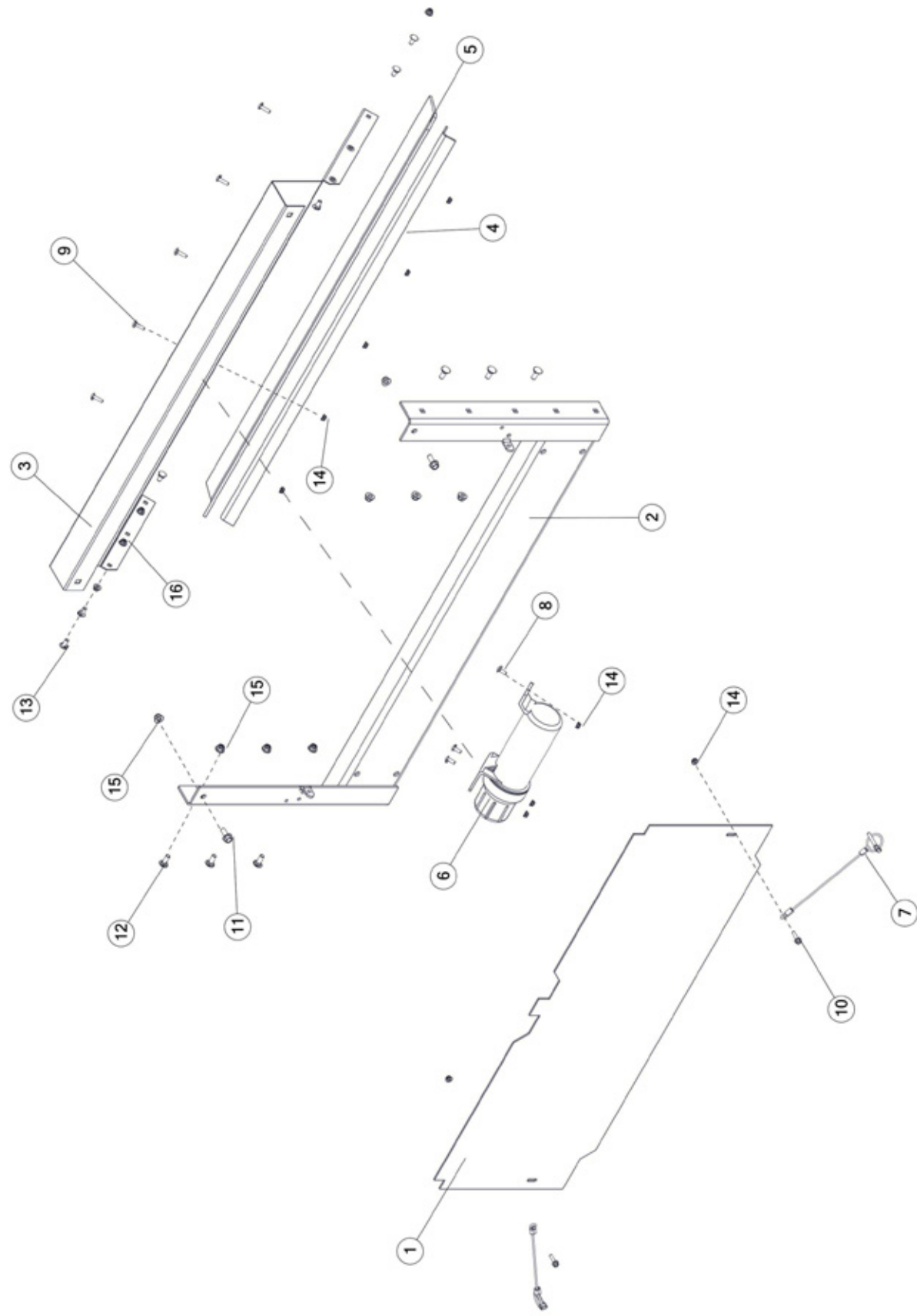
**FIGURE 1**  
**FRONT POLE & COMPONENTS**







**FIGURE 2**  
**FRONT SHIELD & COMPONENTS**





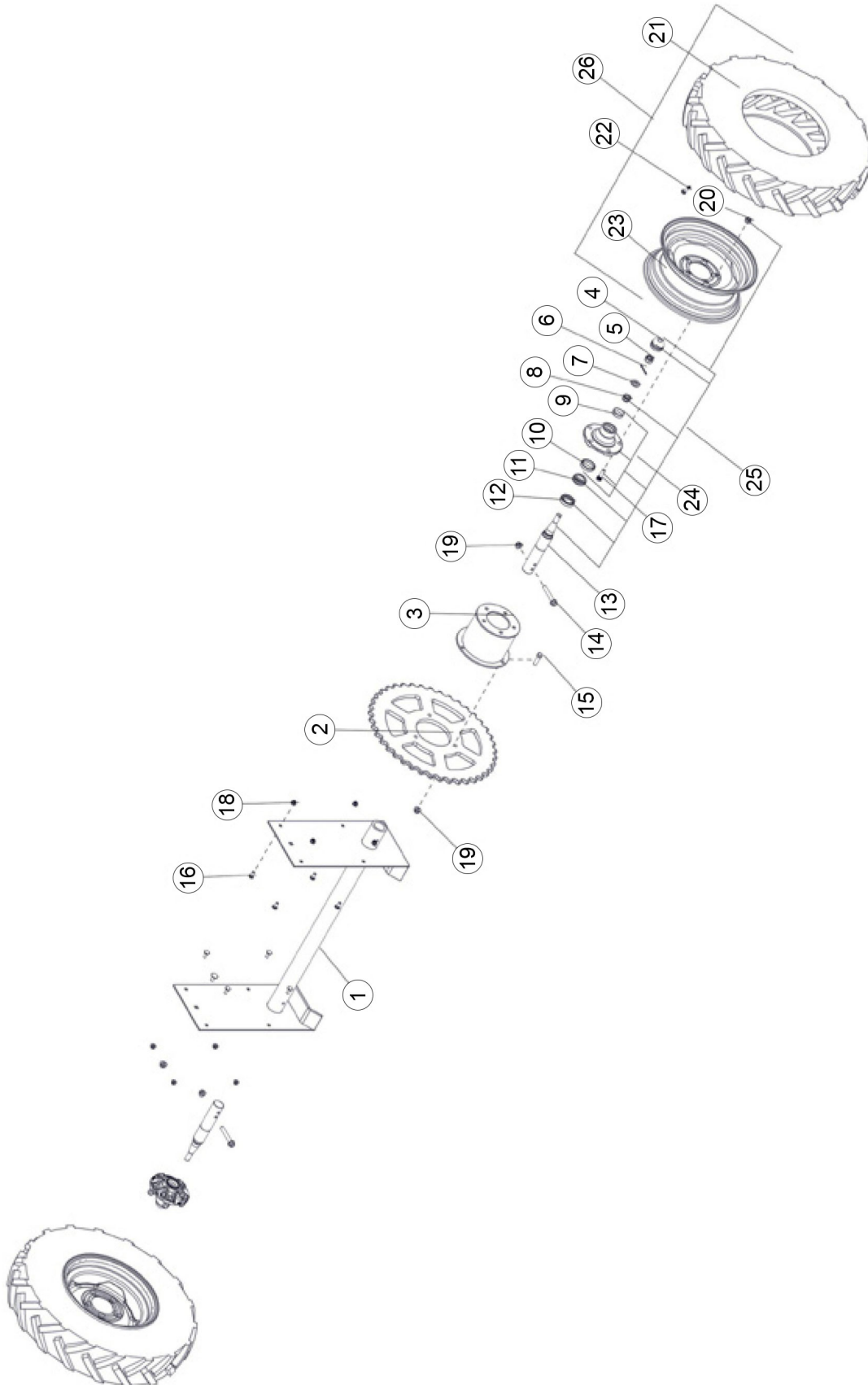
# FIGURE 2 FRONT SHIELD & COMPONENTS

REF #	PART #	DESCRIPTION	QTY
1	80G14B	SHIELD W/DECALS, FRONT	1
2	5N10	SUPPORT, FRONT	1
3	93113B	SHIELD, FRONT W/DECALS	1
4	80N66	STRAP	1
5	12N69	RUBBER PANEL, FRONT	1
6	S522	MANUAL HOLDER	1
7	S122	LYNCH PIN W/CABLE	2
8	YBCR08040	BOLT CARRIAGE, 1/4 X 3/4 G5	3
9	YBCR08005	BOLT CARRIAGE, 1/4 X 1 G5	5
10	YBFB08100	BOLT FLANGE, 1/4 X 1 G5	2
11	YBFB12003	BOLT FLANGE, 3/8 X 1 G5 ZC	2
12	YBCR12010	BOLT CARRIAGE, 3/8 X 1 G5	6
13	YBCR10030	BOLT CARRIAGE, 5/16 X 3/4 G5	6
14	YNFG08010	NUT FLANGE, 1/4 GF	10
15	YNFG12006	NUT FLANGE, 3/8 GF	8
16	YNFG10005	NUT FLANGE, 5/16 GF	6





**FIGURE 3**  
**AXLE, HUB, TIRES & COMPONENTS**







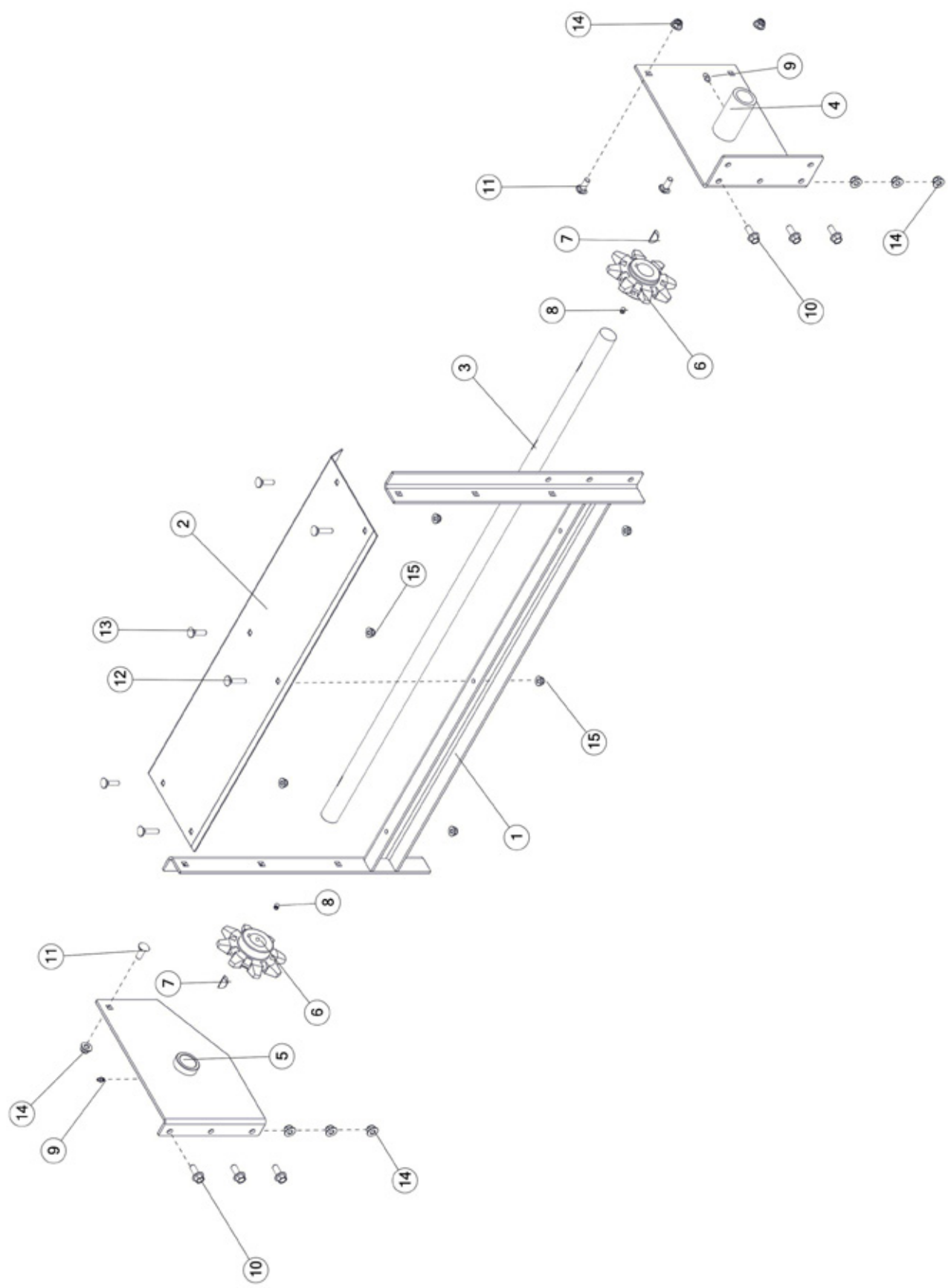
# FIGURE 3 AXLE, HUB, TIRES & COMPONENTS

REF #	PART #	DESCRIPTION	QTY
1	5N15	AXLE	1
2	87523	SPROCKET	1
3	87708	HUB DRUM	1
4	BFR66	HUB CAP	2
5	YNSL24010	NUT HEX, SLOTTED, 3/4 G2	2
6	YPCT05010	COTTER PIN 5/32 X 1-1/2	2
7	YWFL24010	WASHER FLAT, 3/4	2
8	BFR62	OUTER BEARING	2
9	BFR61	OUTER RACE	2
10	12N21	OUTER RACE	2
11	12N25	TAPER BEARING, 2.16 X 1.25 X .66	2
12	60699	SEAL	2
13	5N61	SPINDLE	2
14	YBFB16350	BOLT FLANGE, 1/2 X 3-1/2 G5	2
15	YBHH16055	BOLT HEX, 1/2 X 1-3/4 G5	6
16	YBCR12010	BOLT CARRIAGE, 3/8 X 1 G5	8
17	YBSD16005	BOLT STUD, 1/2 X 1-7/8 X 3/8 G5	10
18	YNFG12006	NUT FLANGE, 3/8 GF	8
19	YNFG16003	NUT FLANGE, 1/2 GF	2
20	YNWL16005	NUT WHEEL, 1/2 G5	10
21	25G43	TIRE, 6 X 12	2
22	72436	VALVE STEM, 1-1/2 RUBBER	2
23	5N63SR	WHEEL 15 X 6, SILVER	2
24	BFR75	736 HUB WITH KOYO BEARINGS	2
25	5N72	WHEEL HUB	2
26	69981SR	TIRE & WHEEL ASSEMBLY, SILVER, LH	2





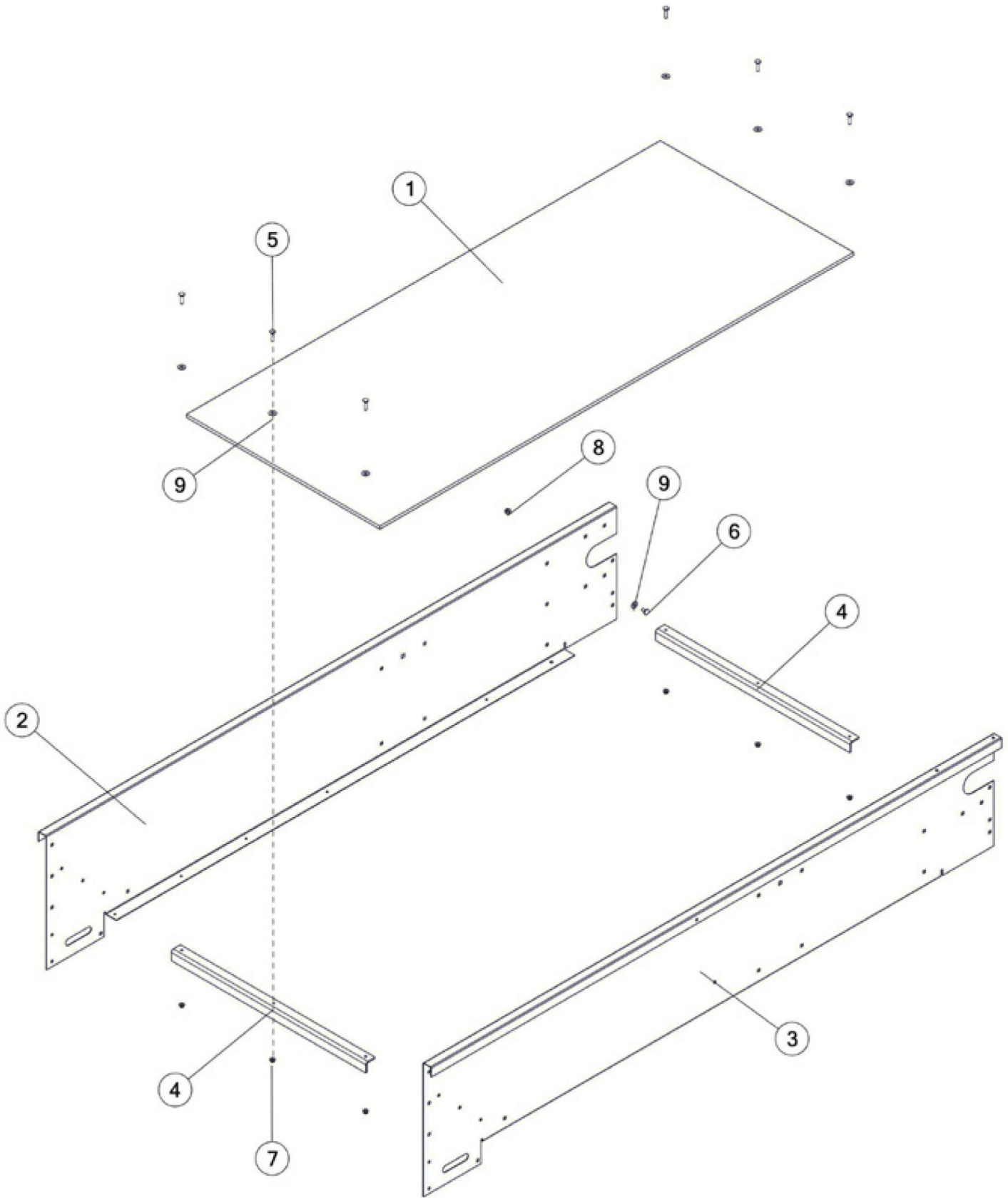
# FIGURE 4 REAR SUPPORT & COMPONENTS



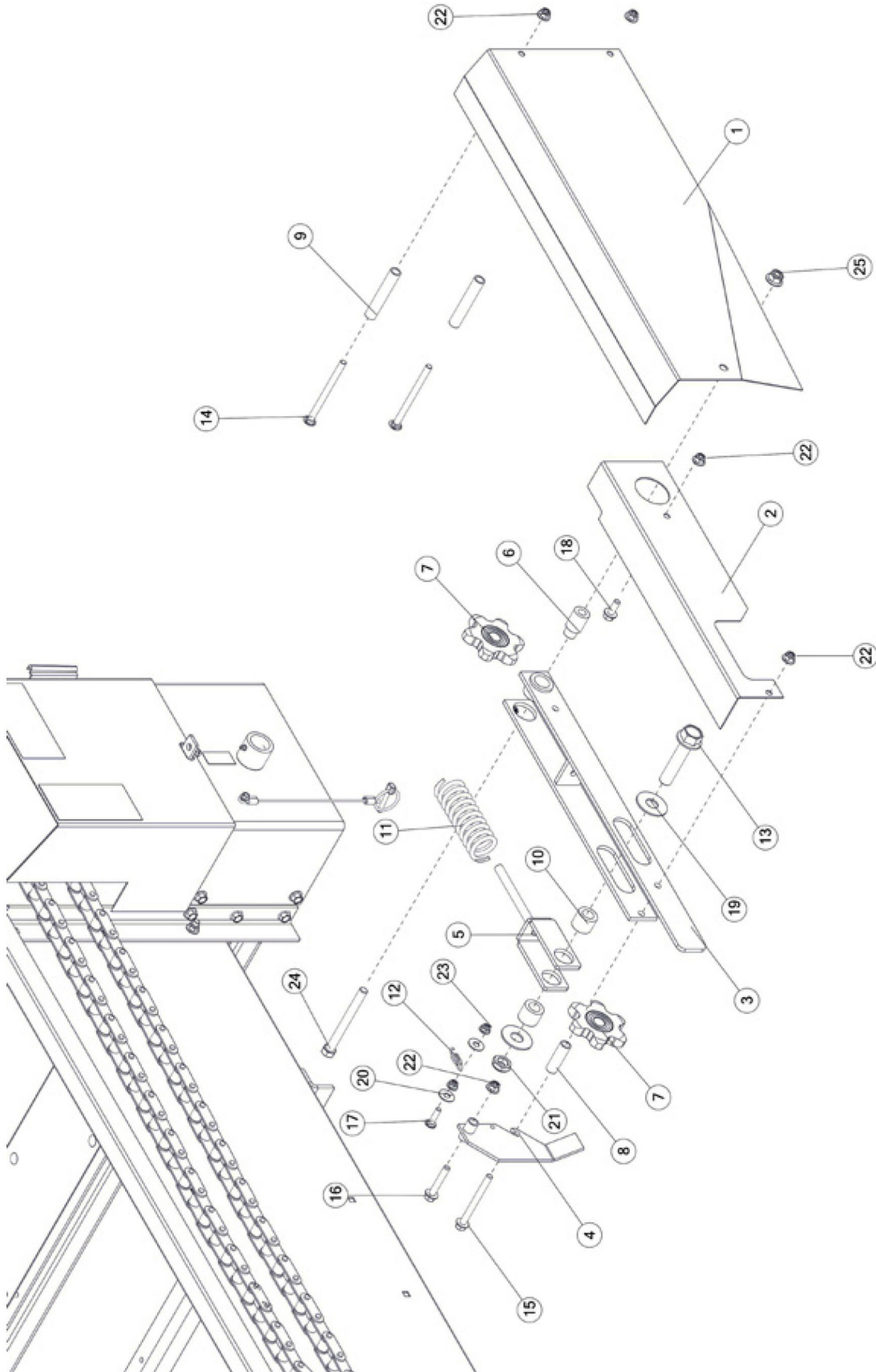
<b>REF #</b>	<b>PART #</b>	<b>DESCRIPTION</b>	<b>QTY</b>
1	5N3	SUPPORT, REAR	1
2	5N69	DRIVE SHAFT COVER	1
3	5N25	APRON DRIVE SHAFT	1
4	5N12	DRIVE SHAFT BRACKET LH	1
5	5N11	DRIVE SHAFT BRACKET RH	1
6	5N42	APRON DRIVE SPROCKET	2
7	G12	WOODRUFF KEY, 5/16 X 1	2
8	YSKP10010	SCREW SOCKET HEAD, 5/16 X 3/8	2
9	G89	STRAIGHT ZERK, 1/4-28 X 90	2
10	YBFB12003	BOLT FLANGE, 3/8 X 1 G5 ZC	6
11	YBCR12010	BOLT CARRIAGE, 3/8 X 1 G5	2
12	YBCR10015	BOLT CARRIAGE, 5/16 X 1-1/2 G5	3
13	YBCR10020	BOLT CARRIAGE, 5/16-18 X 1-1/4 G5 ZC	3
14	YNFG12006	NUT FLANGE, 3/8 GF	9
15	YNFG10005	NUT FLANGE, 5/16 GF	6



# FIGURE 5 FLOOR & SIDE COMPONENTS









# FIGURE 6

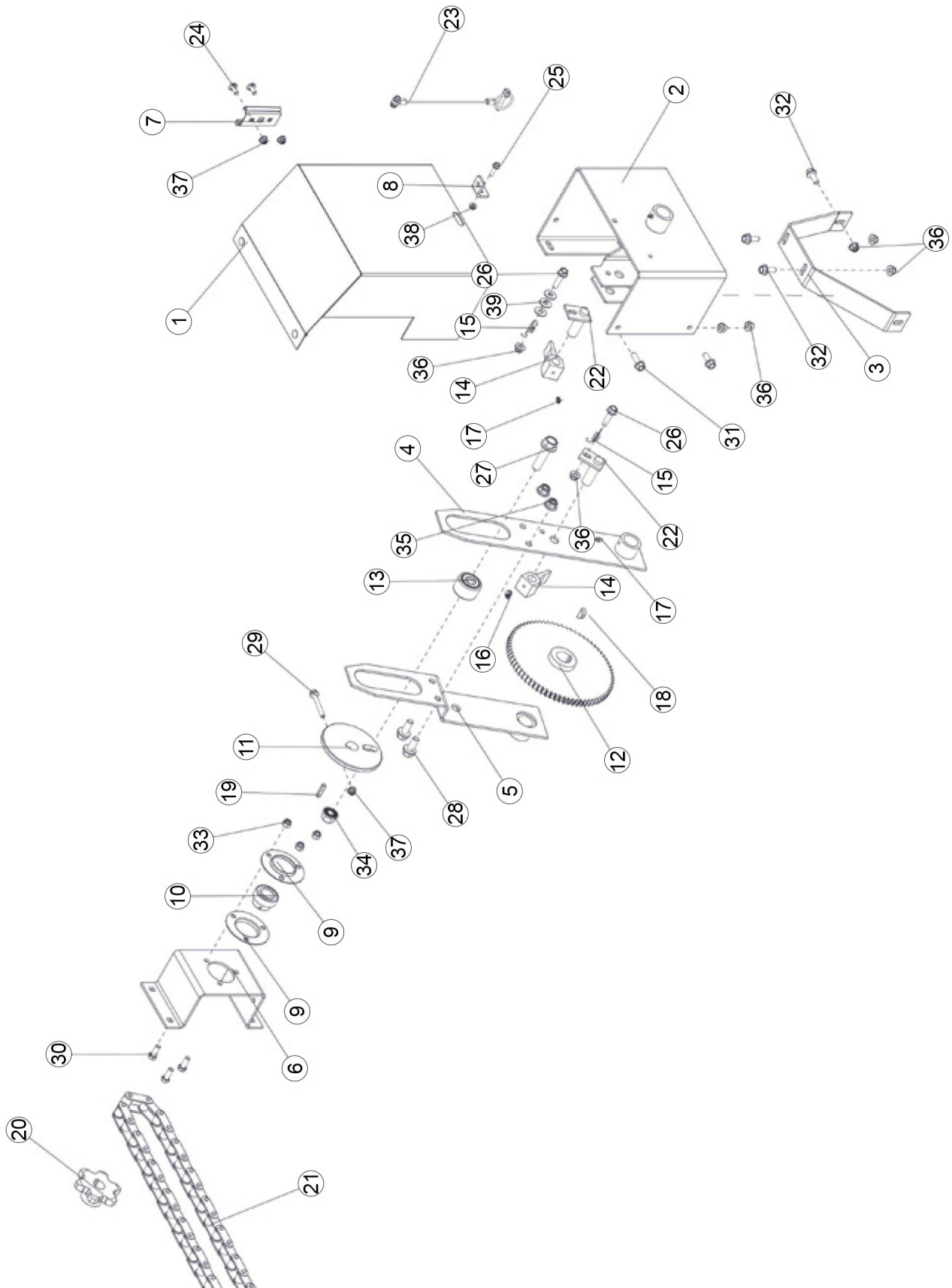
## PIVOT ARM, SPRINGS & COMPONENTS

REF #	PART #	DESCRIPTION	QTY
1	92031B	SHIELD, STATIONARY W/DECALS	1
2	92032B	SHIELD, ROTARY W/DECALS	1
3	5N28	PIVOT ARM	1
4	5N35	LATCH	1
5	5N27	IDLER SPRING BRACKET	1
6	86074	PIVOT OUTSIDE SPACER	1
7	86075	IDLER SPROCKET	2
8	5N34	PIVOT ARM SPACER	1
9	5N36	SHIELD SPACER	2
10	86072	SLIDING IDLER SPACER	2
11	S109	SPRING	1
12	12R3	RATCHET DOG SPRING	1
13	YBFB24350	BOLT FLANGE, 3/4 X 3-1/2 G5	2
14	YBCR12115	BOLT CARRIAGE, FT, 3/8-16 X 5 G5 ZC	2
15	YBFB12400	BOLT FLANGE, 3/8 X 4 G5	1
16	YBFB12225	BOLT FLANGE, 3/8 X 2-1/4 G5	1
17	YBCR10020	BOLT CARRIAGE, 5/16-18 X 1-1/4 G5 ZC	1
18	YBFB12003	BOLT FLANGE, 3/8 X 1 G5 ZC	1
19	YWFL24005	WASHER FLAT, 3/4	2
20	YWFL12005	WASHER FLAT , 3/8 G5	2
21	YNNJ24005	NUT JAM, 3/4 G2	1
22	YNFG12006	NUT FLANGE, 3/8 GF	4
23	YNFG10005	NUT FLANGE, 5/16 GF	1
24	YBHH16156	BOLT HEX, FT, 1/2-13 X 5 G5 ZC	1
25	YNFG16003	NUT FLANGE, 1/2 GF	1





**FIGURE 7**  
**RACHET GEAR COMPONENTS**







# FIGURE 7

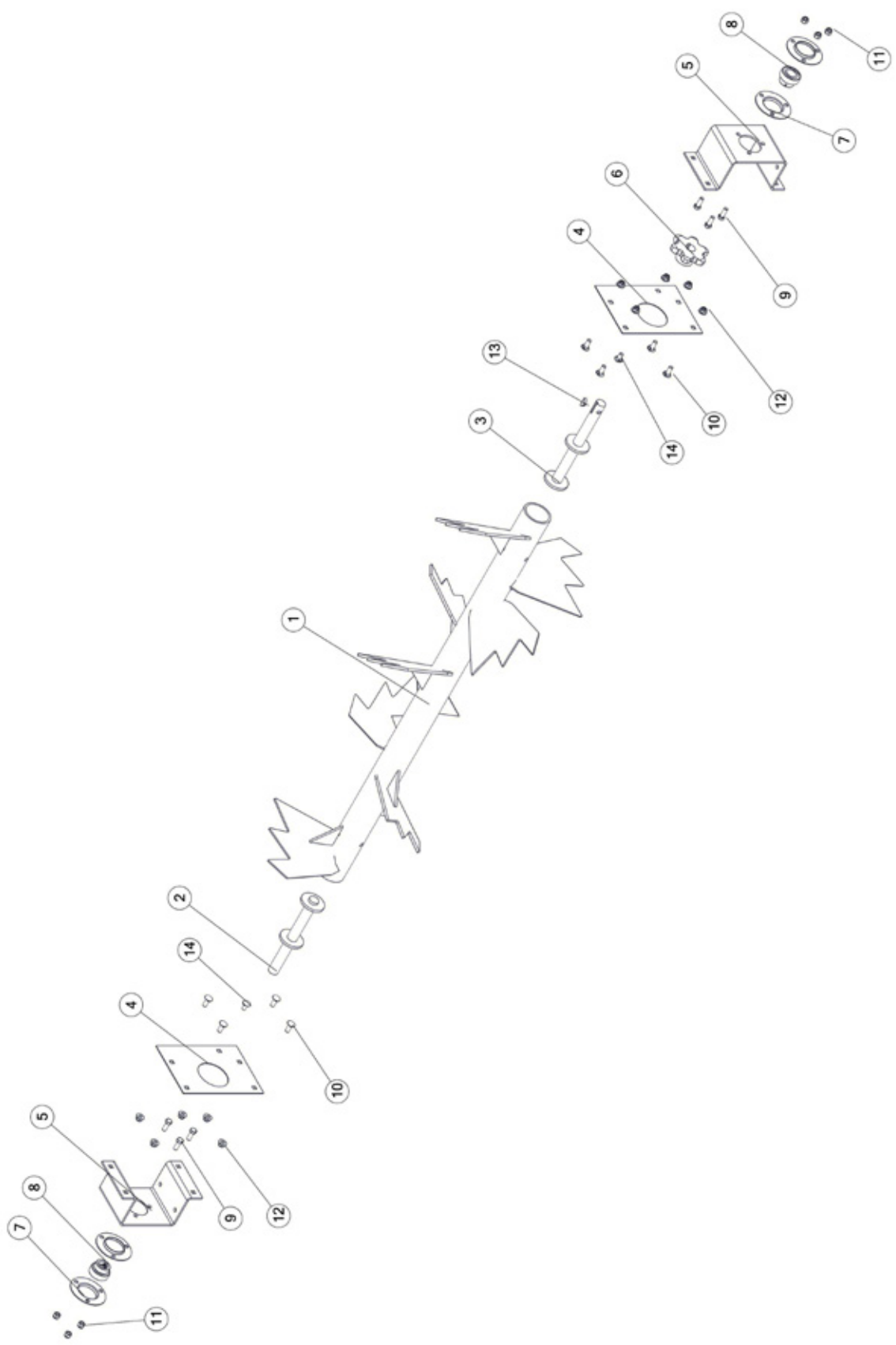
## RACHET GEAR COMPONENTS

REF #	PART #	DESCRIPTION	QTY
1	5N32B	SHIELD W/DECALS, REAR	1
2	5N17B	APRON MECHANISM COVER W/DECALS, LH	1
3	5N50	BEATER MOUNT RE-ENFORCEMENT	1
4	5N13	RECIPROCATOR FACE	1
5	5N14	RECIPROCATING ARM	1
6	5N16	BEATER BRACKET	1
7	F97	SMV BRACKET	1
8	5N53	BACK SHIELD ANGLE	1
9	4C7	FLANGE BEARING	2
10	4C8	BEARING W/COLLAR, 1	1
11	5N23	BEATER CAM HUB	1
12	5N21	RATCHET GEAR	1
13	T66	CAM BEARING	1
14	5N51	DRIVE DOG W/45-DEGREE ZERK	2
15	23N186	TORSION SPRING	2
16	RG21	GREASE ZERK, 45 DEGREE	1
17	G89	STRAIGHT ZERK, 1/4-28 X 90	2
18	G12	WOODRUFF KEY, 5/16 X 1	1
19	S135	SQUARE KEY, 1/4 X 1-1/4	1
20	5N76	BEATER SPROCKET, 6	1
21	5N57	DRIVE CHAIN	1
22	5N26	DOG PIN	2
23	S122	LYNCH PIN W/CABLE	1
24	YBCR10030	BOLT CARRIAGE, 5/16 X 3/4 G5	2
25	YBFB08100	BOLT FLANGE, 1/4 X 1 G5	1
26	YBFB12150	BOLT FLANGE, 3/8 X 1-1/2 G5	2
27	YBFB20250	BOLT FLANGE, 5/8 X 2-1/2 G5	1
28	YBFB16125	BOLT FLANGE, 1/2 X 1-1/4 G5	2
29	YBFB10250	BOLT FLANGE, 5/16 X 2-1/2 G5	1
30	YBHH12010	BOLT HEX, 3/8 X 1 G5	3
31	YBFB12125	BOLT FLANGE, 3/8 X 1-1/4 G5	1
32	YBFB12003	BOLT FLANGE, 3/8 X 1 G5 ZC	4
33	YNNY12005	NUT HEX 3/8, G2	3
34	YNSF20005	NUT FLANGE, 5/8	1
35	YNFG16003	NUT FLANGE, 1/2 GF	2
36	YNFG12006	NUT FLANGE, 3/8 GF	7
37	YNFG10005	NUT FLANGE, 5/16 GF	3
38	YNFG08010	NUT FLANGE, 1/4 GF	1
39	YWFL12005	WASHER FLAT, 3/8 G5	3





# FIGURE 8 BEATER & COMPONENTS





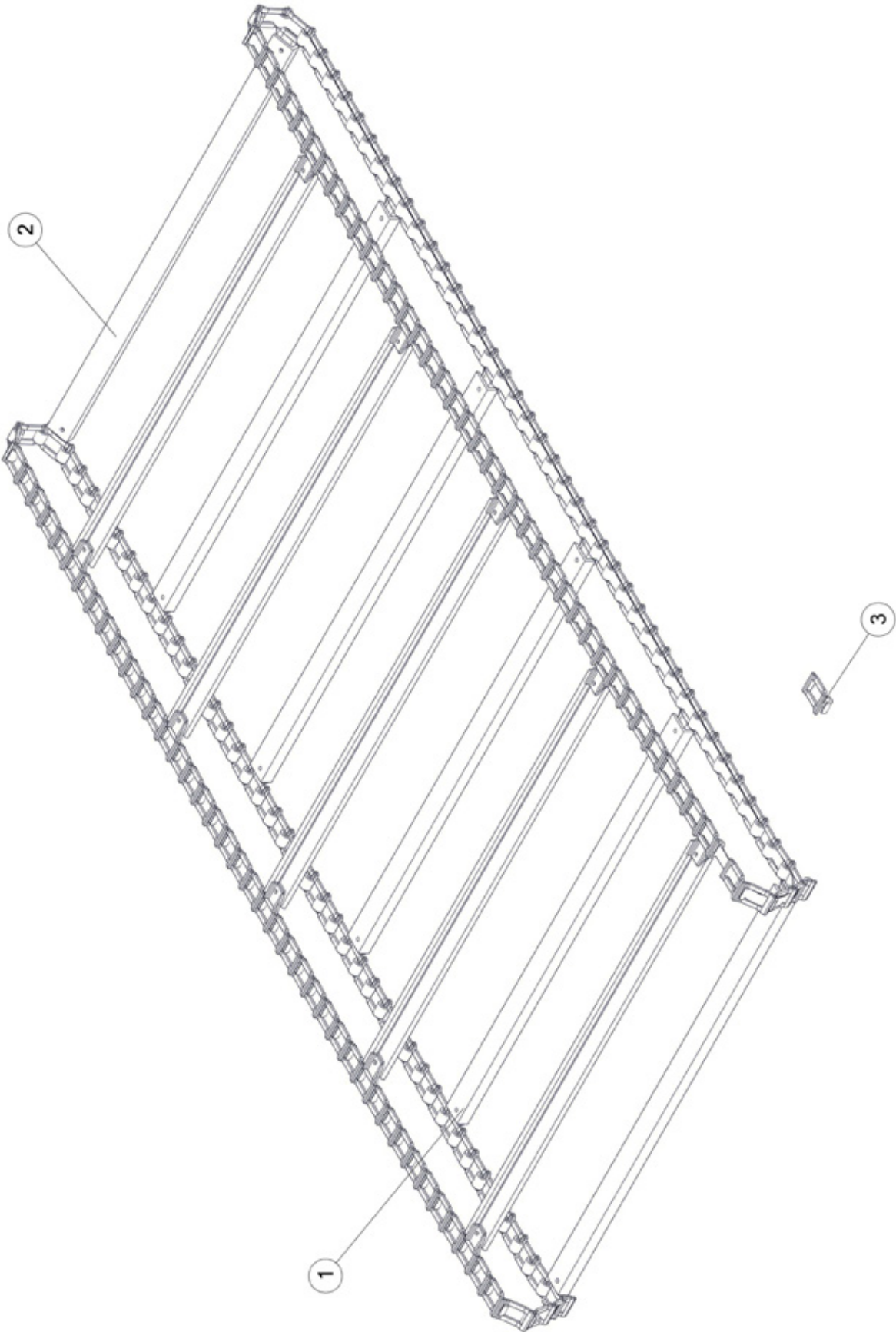
**FIGURE 8  
BEATER & COMPONENTS**

REF #	PART #	DESCRIPTION	QTY
1	5N18	BEATER	1
2	50N58	BEATER BEARING LH	1
3	5N59	BEATER STUB SHAFT LH	1
4	5N49	BEATER MOUNT SEAL	2
5	5N16	BEATER BRACKET	2
6	5N76	BEATER SPROCKET, 6	1
7	4C7	FLANGE BEARING	4
8	4C8	BEARING W/COLLAR, 1	2
9	YBHH12010	BOLT HEX, 3/8 X 1 G5	6
10	YBCR12010	BOLT CARRIAGE, 3/8 X 1 G5	8
11	YNNY12005	NUT HEX 3/8, G2	6
12	YNFG12006	NUT FLANGE, 3/8 GF	10
13	5B10	WOODRUFF KEY, 1/4 X 1	1
14	YBCR12065	BOLT CARRIAGE, 3/8 X 3/4 G5	2

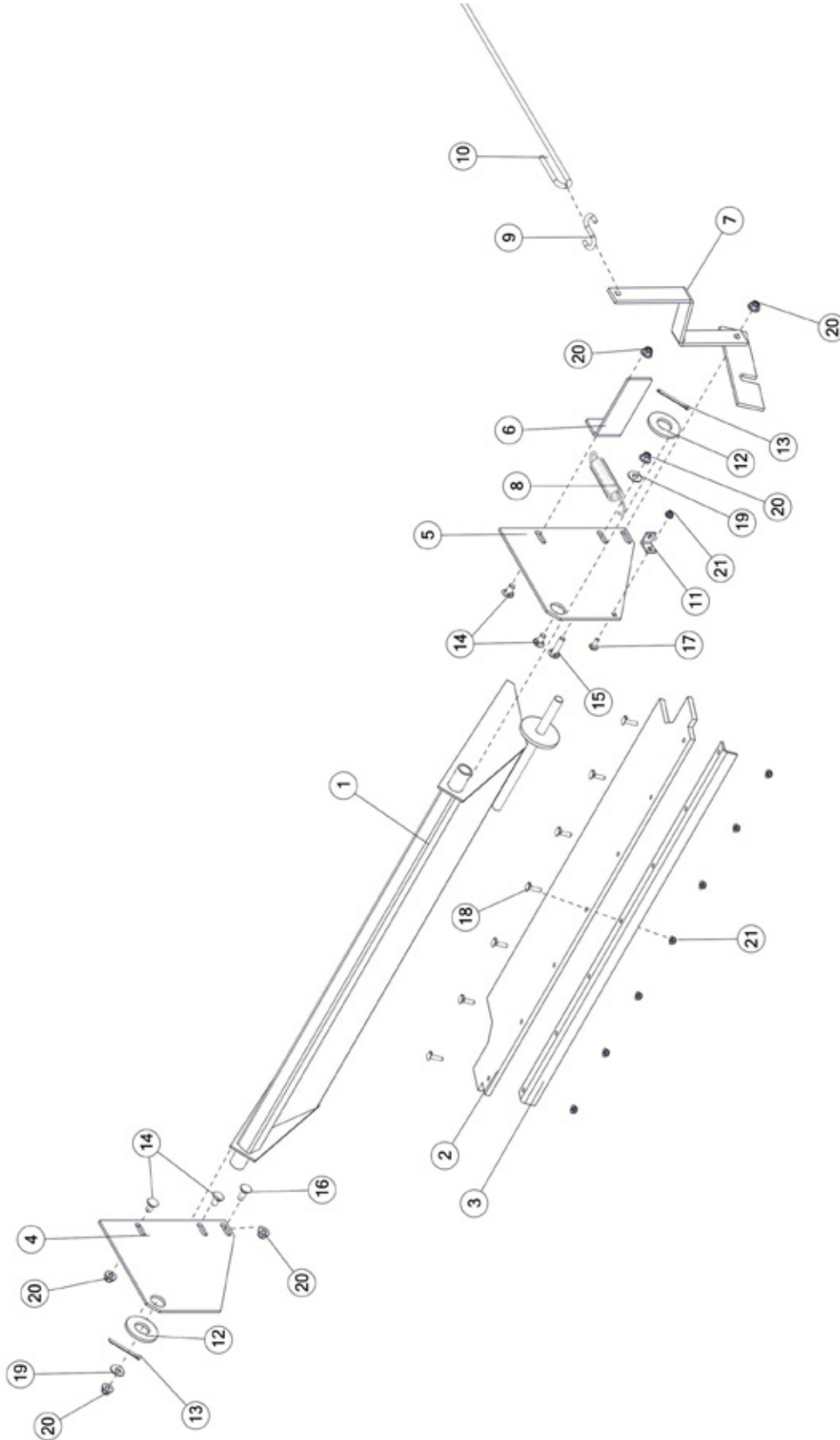




# FIGURE 9 APRON CHAIN & COMPONENTS









**FIGURE 10**  
**OPTIONAL REAR PAN (MSO3D)**

<b>REF #</b>	<b>PART #</b>	<b>DESCRIPTION</b>	<b>QTY</b>
1	5N66	PAN	1
2	5N65	PAN RUBBER	1
3	5N64	PAN ANGLE	1
4	80N2	PAN LH	1
5	80N3	PAN RH	1
6	80N82	PAN HANDLE STOP	1
7	5N67	PAN HANDLE	1
8	R27	PAN HANDLE SPRING	1
9	YMHK92005	S-HOOK, .262 X 2-1/4 X 11/16	1
10	80N6	TRIP ROPE	1
11	R26	SPRING BRACKET	1
12	R3	PAN SPACER	2
13	YPCT06020	COTTER PIN, 3/16 X 2	2
14	YBCR12065	BOLT CARRIAGE, 3/8 X 3/4 G5	4
15	YBCR12015	BOLT CARRIAGE, 3/8-16 X 1-1/2 G5	1
16	YBCR12010	BOLT CARRIAGE, 3/8 X 1 G5	1
17	YBCR08040	BOLT CARRIAGE, 1/4 X 3/4 G5	1
18	YBCR08005	BOLT CARRIAGE, 1/4 X 1 G5	7
19	YWFL12005	WASHER FLAT, 3/8 G5	2
20	YNFG12006	NUT FLANGE, 3/8 GF	6
21	YNFG08010	NUT FLANGE, 1/4 GF	8









# H&S MFG. CO.

products approved

for the

**FEMA**

**SEAL OF QUALITY**



Manufactured by:

**H&S MANUFACTURING CO., INC.**

2608 S. HUME AVE. MARSHFIELD, WI 54449

(715) 387-3414 | [hsmfgco.com](http://hsmfgco.com)

