



S1280
MANURE
SPREADER
PARTS BOOK

Part #92372 HSMFG071522 Rev. #01 Starting Ser. #222GD80016

STRONG HERITAGE - STRONG PEOPLE - STRONGER FUTURE



INSTRUCTIONS FOR ORDERING PARTS

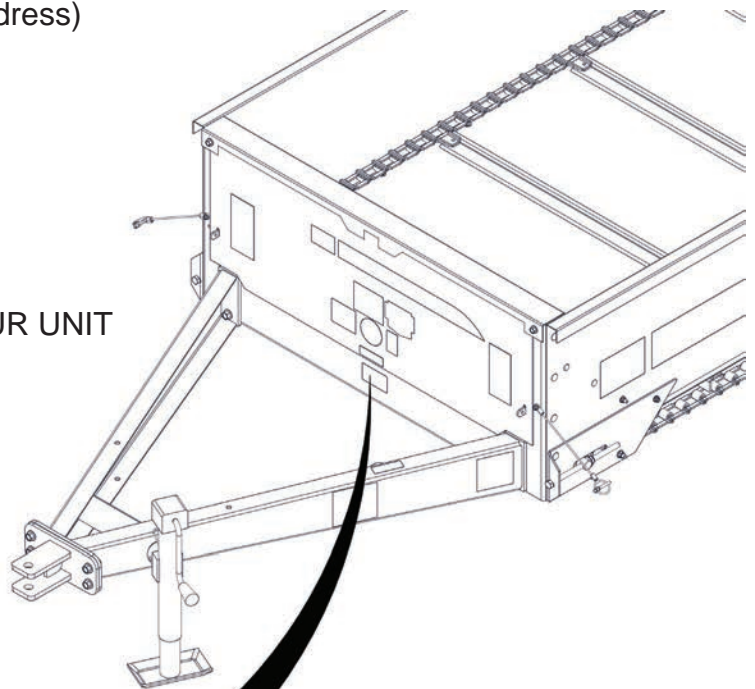
All service parts should be ordered through your authorized H&S dealer. Your Dealership will be able to give you faster service if you will provide them with the following:

1. All references to left or right apply to the machine as viewed from the rear.
2. Parts should not be ordered from illustration only. Please order complete part number.
3. If your dealer has to order parts - give shipping instructions:

VIA truck - large pieces (please specify local truck lines)

VIA United Parcel Service (include full address)

PLEASE RECORD NUMBERS FOR YOUR UNIT FOR QUICK REFERENCE



H&S MFG. CO. INC.	
MARSHFIELD, WIS.	
MOD. NO.	<input type="text"/>
SER. NO.	<input type="text"/>
DESCR.	<input type="text"/>

H&S IS CONTINUALLY STRIVING TO IMPROVE ITS PRODUCTS

We must, therefore, reserve the right to make improvements or changes whenever it becomes practical to do so, without incurring any obligation to make changes or additions to the equipment previously sold.





FIGURE 1
FRONT POLE & COMPONENTS

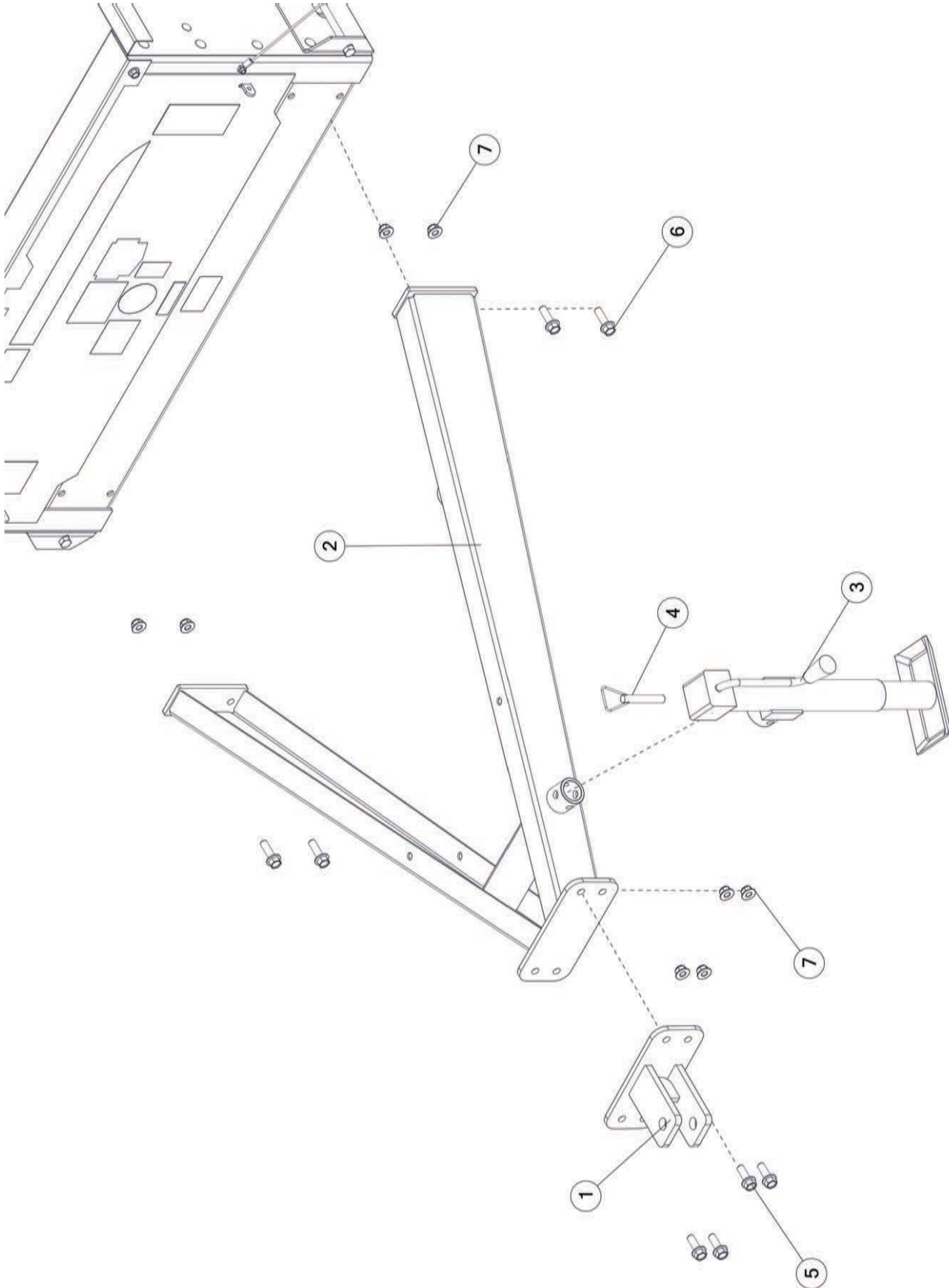




FIGURE 2
FRONT SHIELD & COMPONENTS

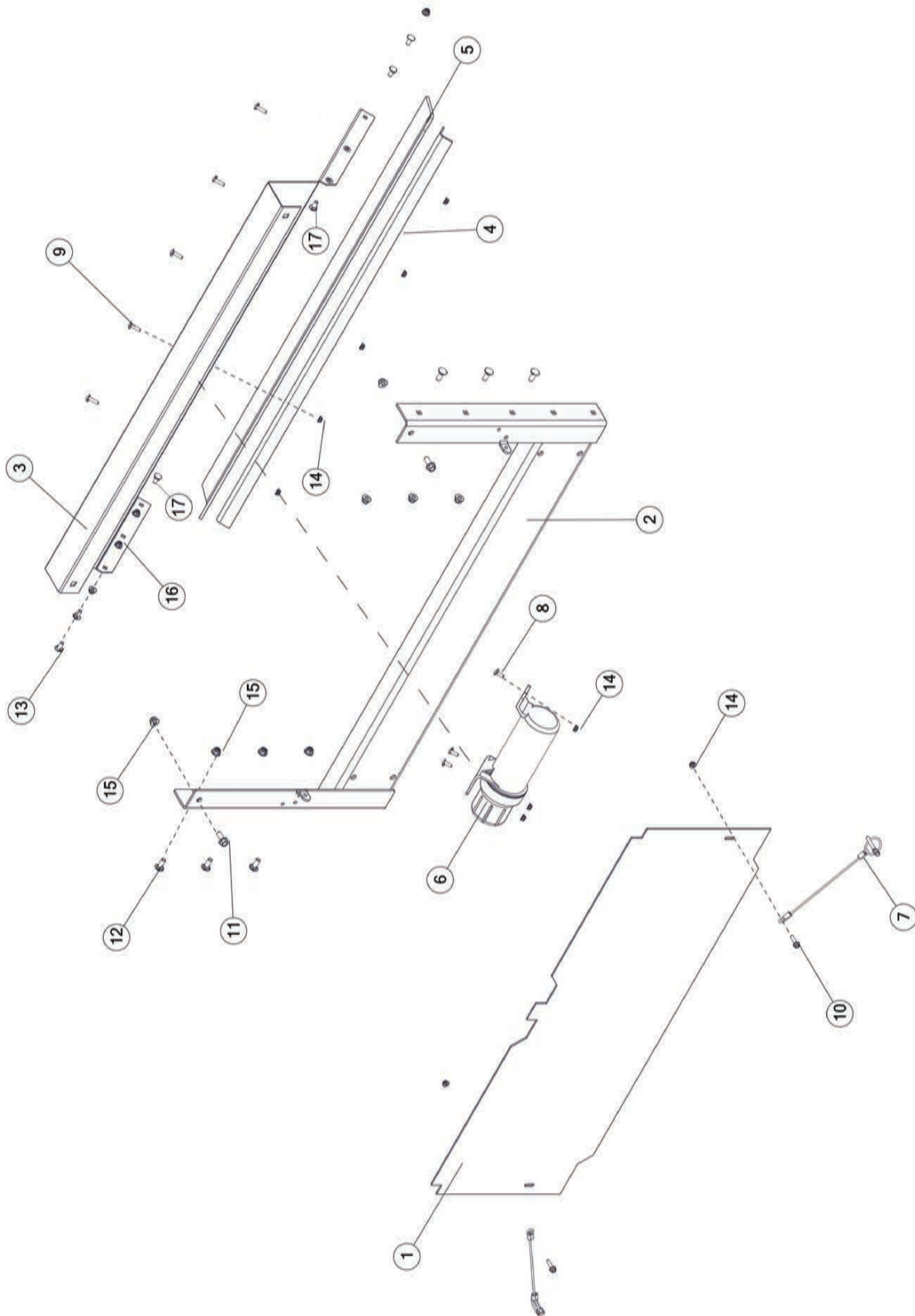




FIGURE 3
FRONT SHAFT & COMPONENTS

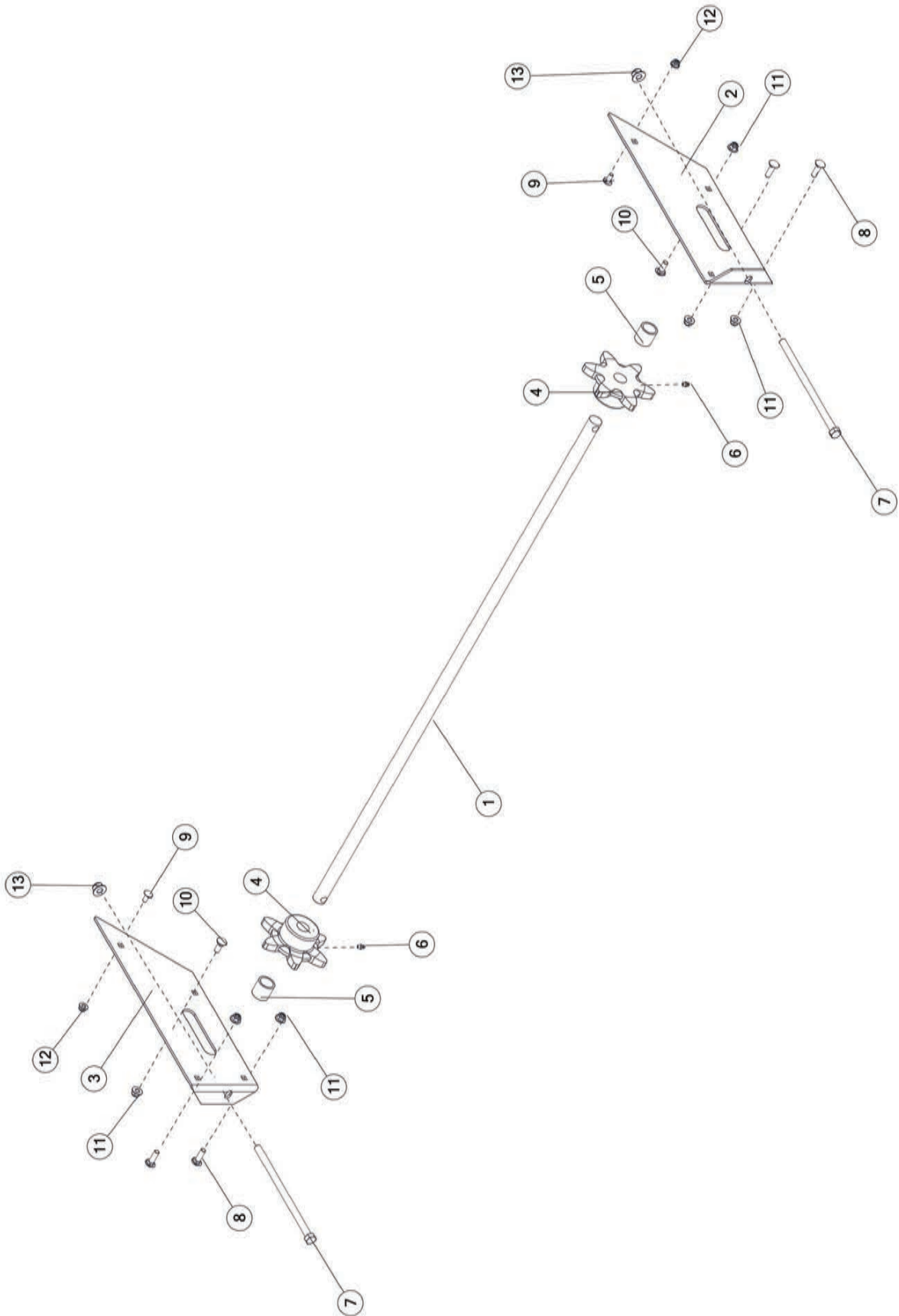




FIGURE 4 AXLE, HUB & COMPONENTS

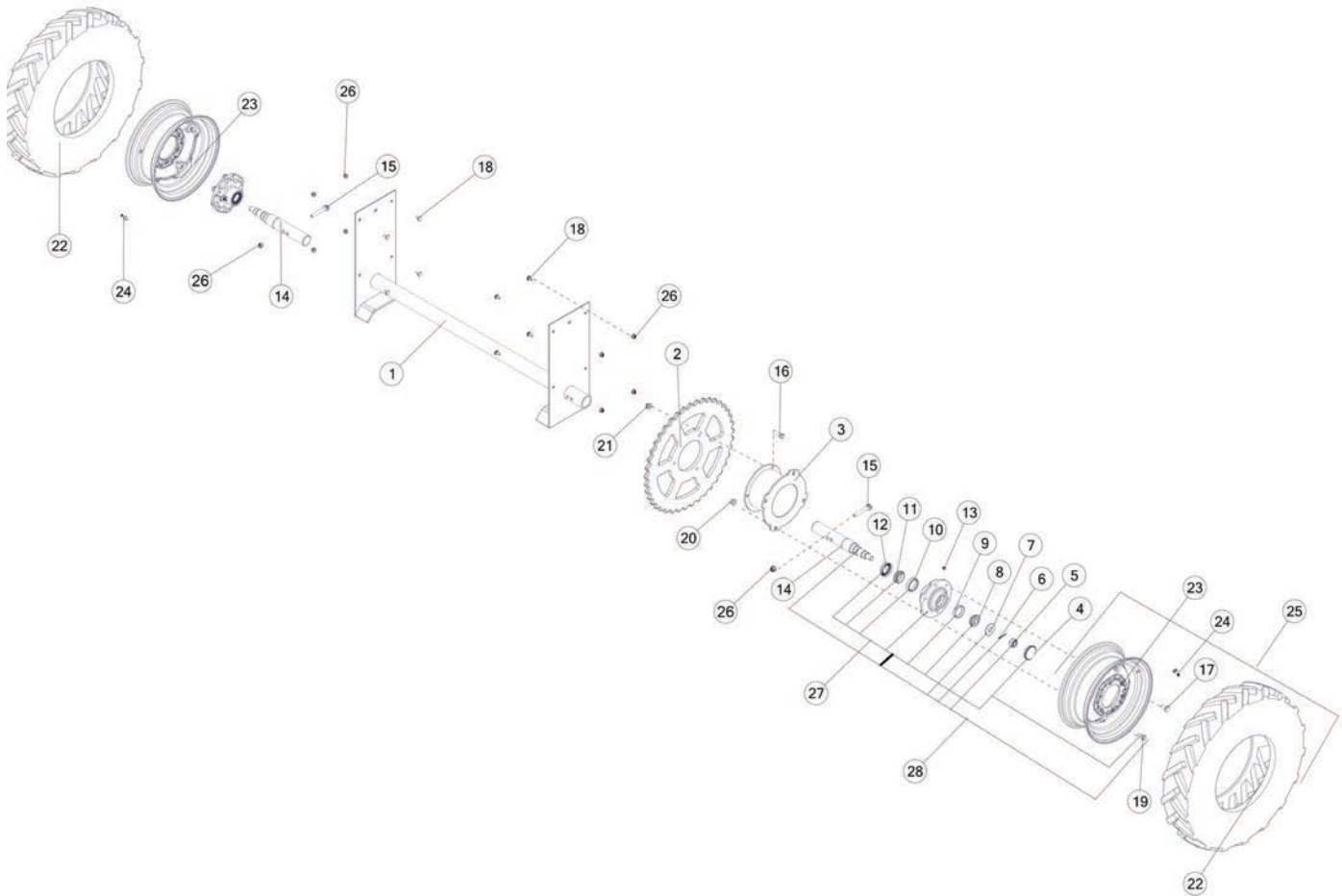




FIGURE 5 REAR SUPPORT & COMPONENTS

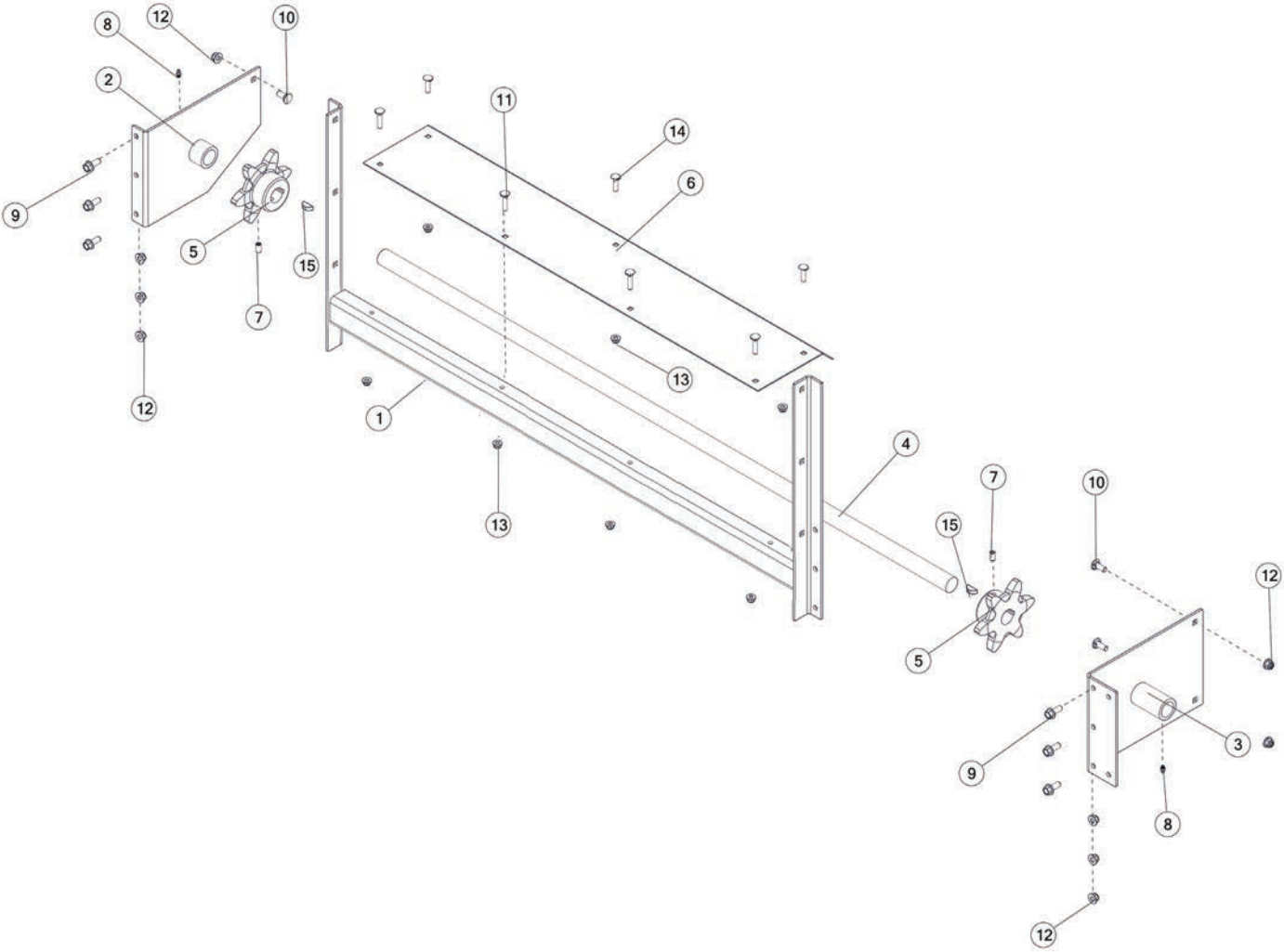




FIGURE 6 FLOOR & SIDE COMPONENTS

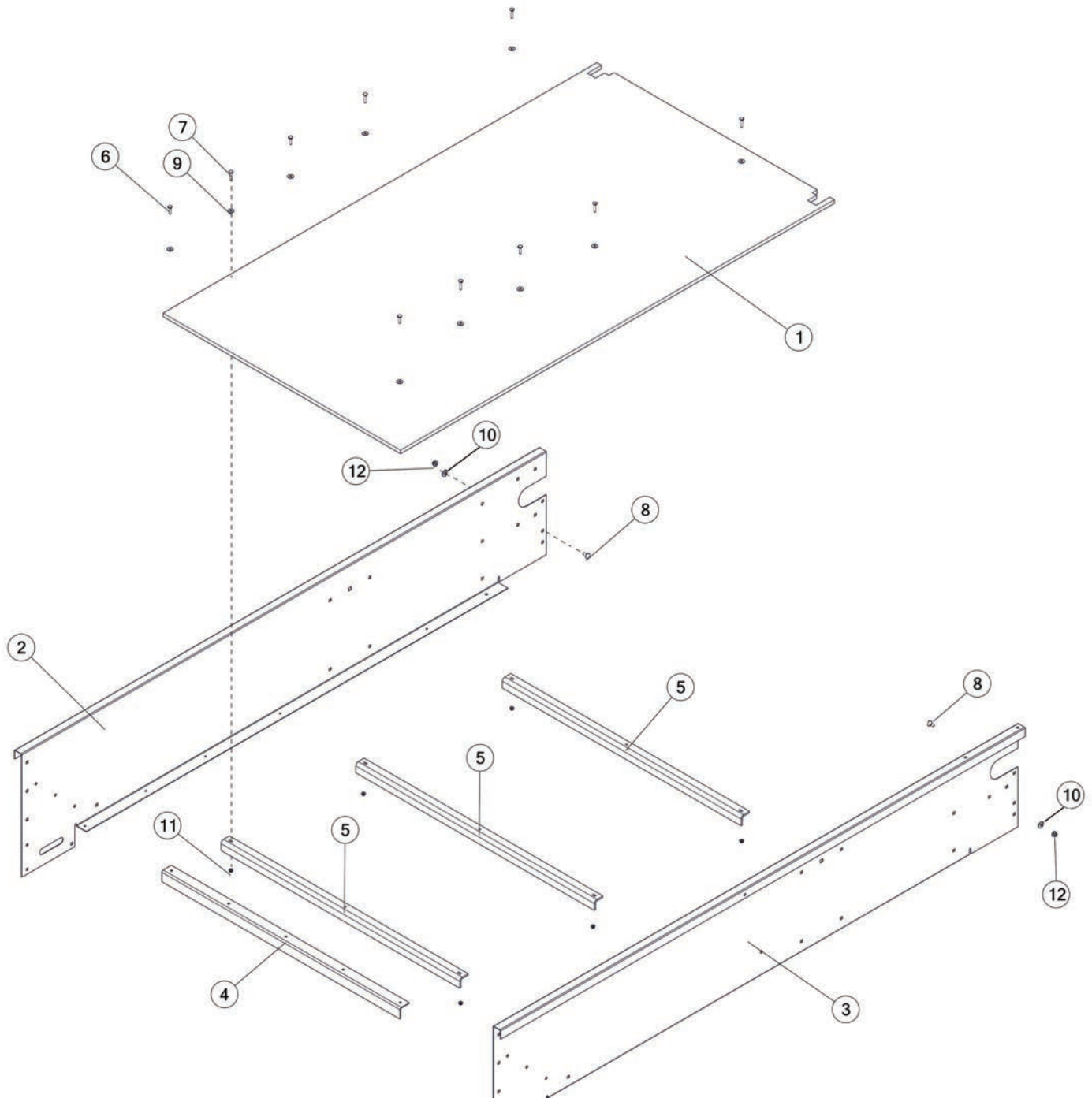




FIGURE 7 PIVOT ARM, SPRINGS & COMPONENTS

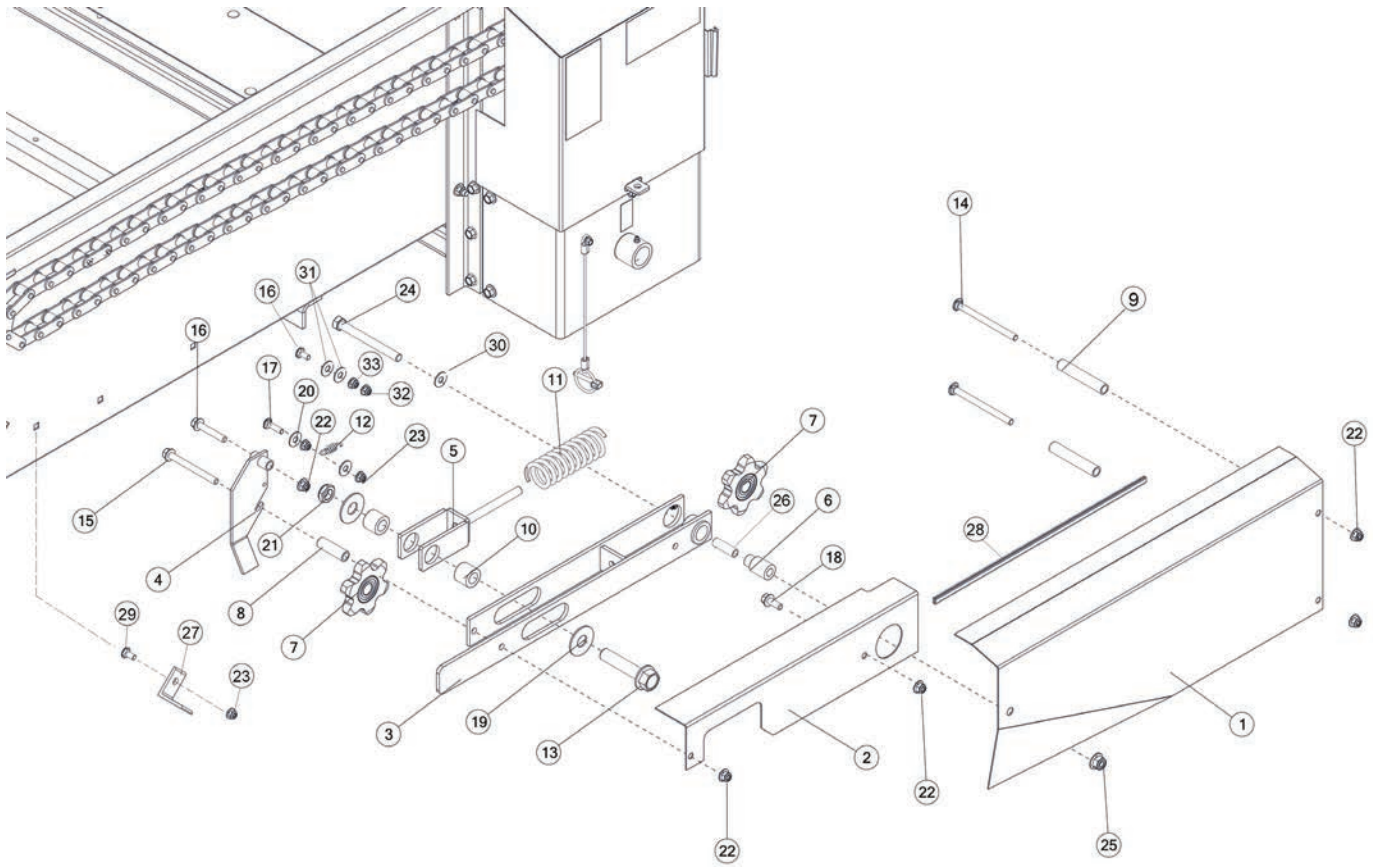




FIGURE 7

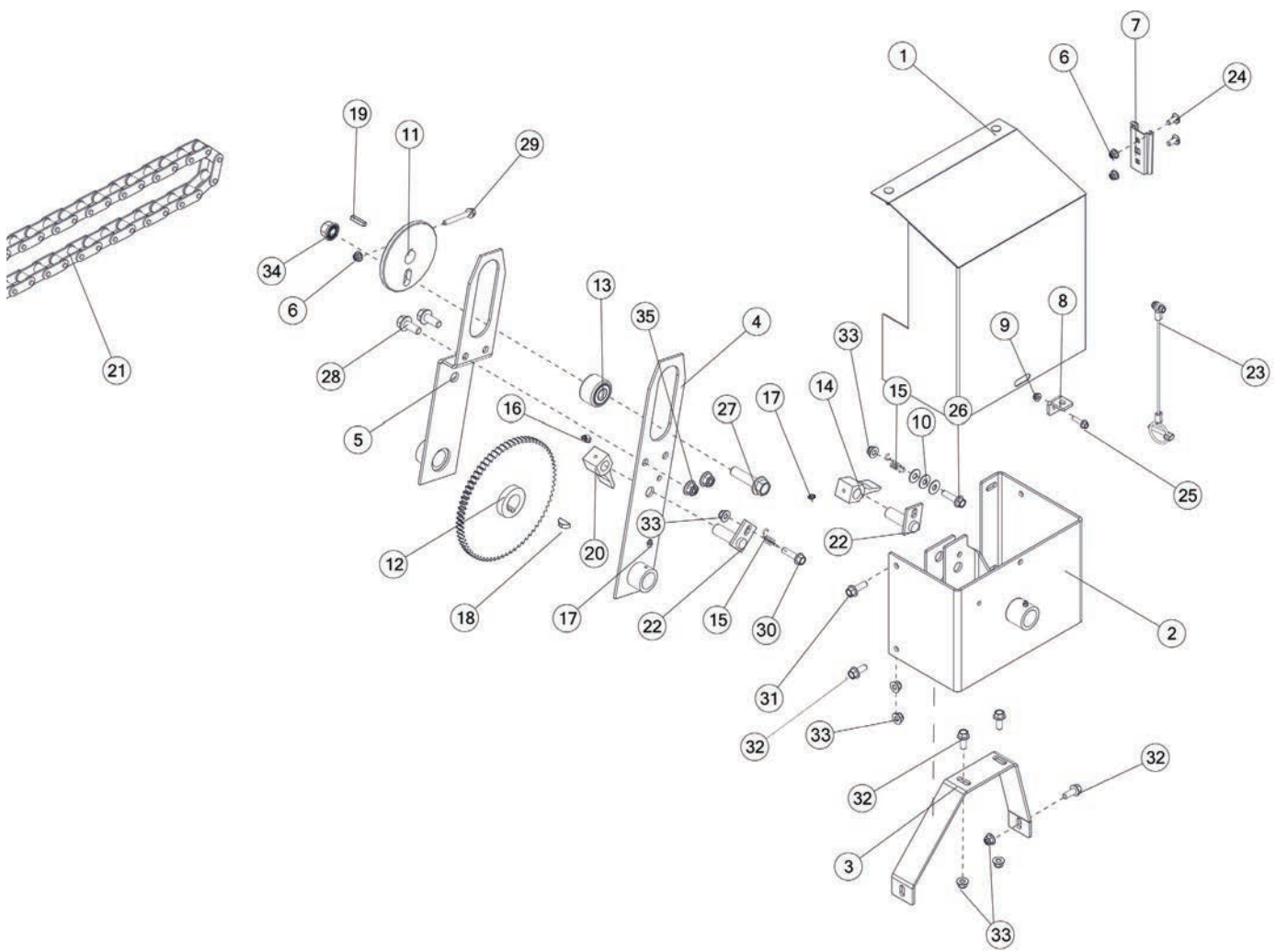
PIVOT ARM, SPRINGS & COMPONENTS

REF #	PART #	DESCRIPTION	QTY
1	92031	SHIELD, STATIONARY	1
2	92032B	SHIELD, ROTARY W/DECALS	1
3	5N28	PIVOT ARM	1
4	5N35	LATCH	1
5	5N27	IDLER SPRING BRACKET	1
6	86074	PIVOT OUTSIDE SPACER	1
7	86075	IDLER SPROCKET	2
8	5N34	PIVOT ARM SPACER	1
9	5N36	SHIELD SPACER	2
10	86072	SLIDING IDLER SPACER	2
11	S109	SPRING	1
12	12R3	RATCHET DOG SPRING	1
13	YBFB24350	BOLT FLANGE, 3/4 X 3-1/2 G5	2
14	YBCR12115	BOLT CARRIAGE, FT, 3/8-16 X 5 G5 ZC	2
15	YBHH12165	BOLT HEX, FT, 3/8-16 X 4 G2 ZC	1
16	YBFB08100	BOLT FLANGE, 1/4 X 1 G5	2
17	YBCR10020	BOLT CARRIAGE, 5/16-18 X 1-1/4 G5 ZC	1
18	YBFB12003	BOLT FLANGE, 3/8 X 1 G5 ZC	1
19	YWFL24005	WASHER FLAT, 3/4	2
20	YWFL12005	WASHER FLAT , 3/8 G5	2
21	YNNJ24005	NUT JAM, 3/4 G2	1
22	YNFG12006	NUT FLANGE, 3/8 GF	5
23	YNFG10005	NUT FLANGE, 5/16 GF	4
24	YBHH16156	BOLT HEX, FT, 1/2-13 X 5 G5 ZC	1
25	YNFG16003	NUT FLANGE, 1/2 GF	1
26	86073	INSIDE BUSHING	1
27	ST33	TIGHTENER	1
28	5N73	EDGE GUARD, 1/8 X 18	1
29	YBCR10030	BOLT CARRIAGE, 5/16 X 3/4 G5	2
30	YWFL16005	WASHER FLAT, 1/2	1
31	YWFL08005	WASHER FLAT, 1/4	2
32	YNFG08010	NUT FLANGE, 1/4 GF	1
33	YNHX08007	NUT HEX, 1/4 G5	1





FIGURE 8 RATCHET GEAR & COMPONENTS



REF #	PART #	DESCRIPTION	QTY
1	5N32B	SHIELD W/DECALS, REAR	1
2	5N17	APRON MECHANISM COVER, LH	1
3	5N50	BEATER MOUNT RE-ENFORCEMENT	1
4	5N13	RECIPROCATOR FACE	1
5	5N14	RECIPROCATING ARM	1
6	YNFG10005	NUT FLANGE, 5/16 GF	3
7	F97	SMV BRACKET	1
8	5N53	BACK SHIELD ANGLE	1
9	YNFG08010	NUT FLANGE, 1/4 GF	1
10	YWFL12005	WASHER FLAT, 3/8 G5	3
11	5N23	BEATER CAM HUB	1
12	5N21	RATCHET GEAR	1
13	T66	CAM BEARING	1
14	5N20	HOLDING DOG W/STRAIGHT ZERK	1
15	23N186	TORSION SPRING	2
16	RG21	GREASE ZERK, 45 DEGREE	1
17	G89	STRAIGHT ZERK, 1/4-28 X 90	2
18	G12	WOODRUFF KEY, 5/16 X 1	1
19	S135	SQUARE KEY, 1/4 X 1-1/4	1
20	5N51	DRIVE DOG W/45 DEGREE ZER	1
21	5N57	DRIVE CHAIN	1
*	K121	CONNECTING LINK	1
22	5N26	DOG PIN	2
23	S122	LYNCH PIN W/CABLE	1
24	YBCR10030	BOLT CARRIAGE, 5/16 X 3/4 G5	2
25	YBFB08100	BOLT FLANGE, 1/4 X 1 G5	1
26	YBFB12150	BOLT FLANGE, 3/8 X 1-1/2 G5	1
27	YBFB20250	BOLT FLANGE, 5/8 X 2-1/2 G5	1
28	YBFB16125	BOLT FLANGE, 1/2 X 1-1/4 G5	2
29	YBFB10250	BOLT FLANGE, 5/16 X 2-1/2 G5	1
30	YBFB12175	BOLT FLANGE, 3/8 X 1-3/4 G5	1
31	YBFB12125	BOLT FLANGE, 3/8 X 1-1/4 G5	1
32	YBFB12003	BOLT FLANGE, 3/8 X 1 G5 ZC	4
33	YNFG12006	NUT FLANGE, 3/8 GF	7
34	YNSF20005	NUT FLANGE, 5/8	1
35	YNFG16003	NUT FLANGE, 1/2 GF	2





FIGURE 9 BEATER & COMPONENTS

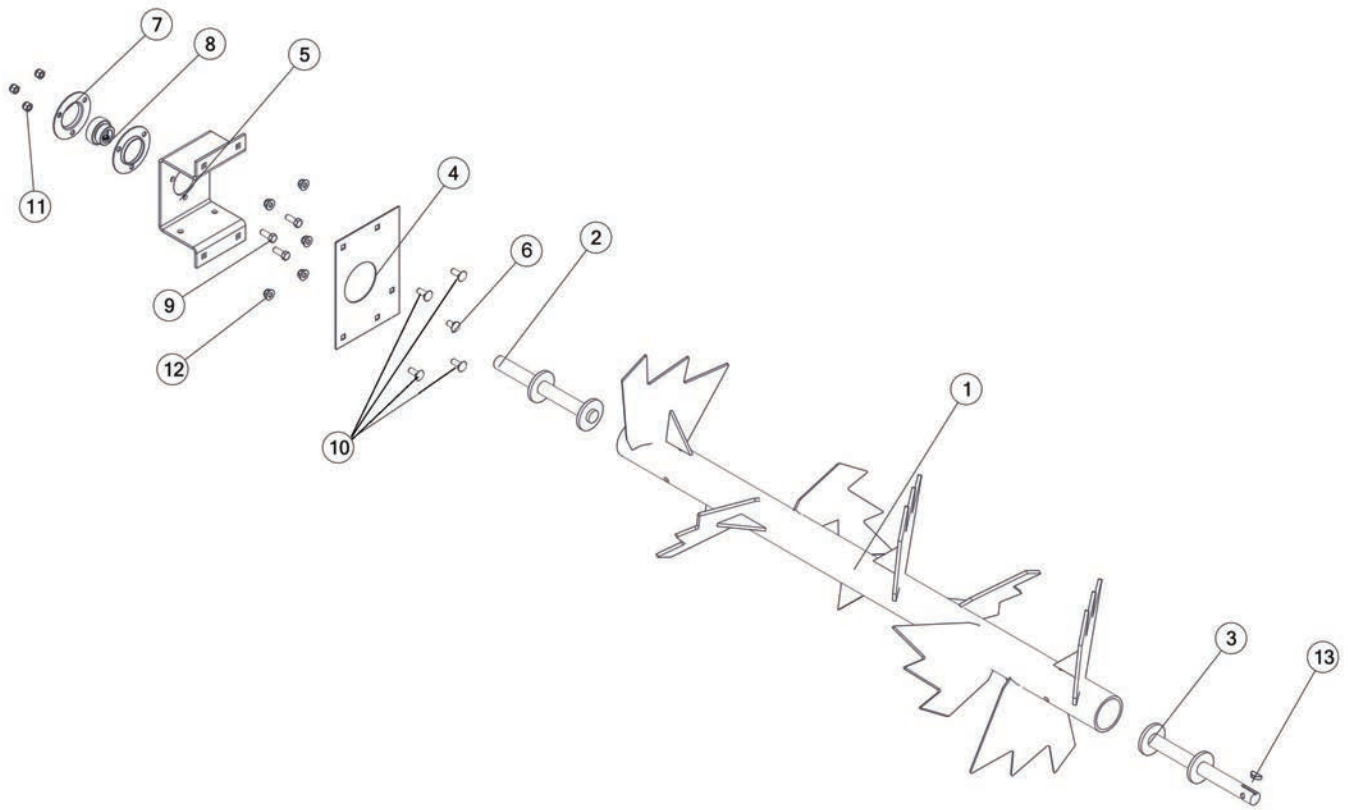




FIGURE 10

APRON CHAIN & COMPONENTS

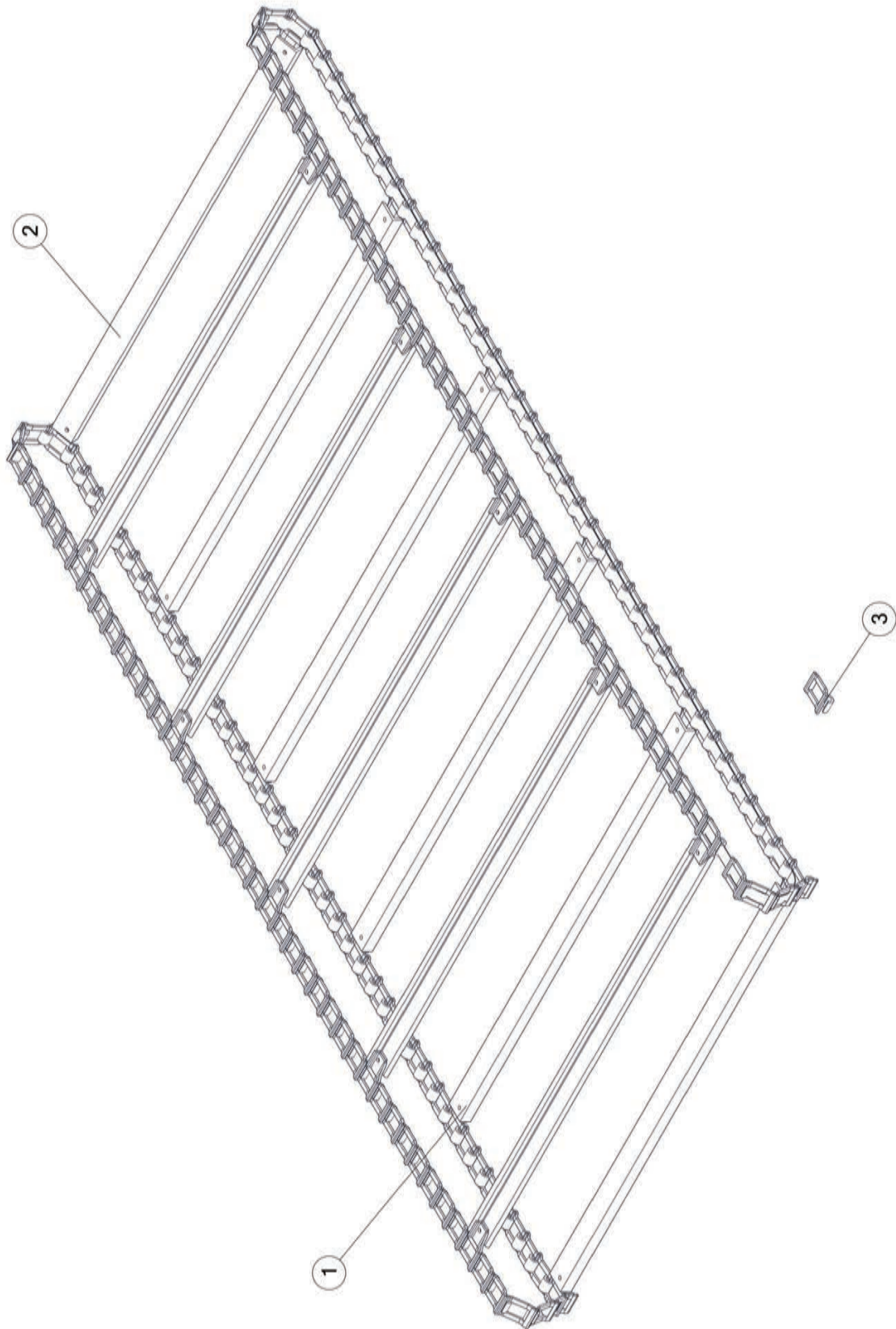
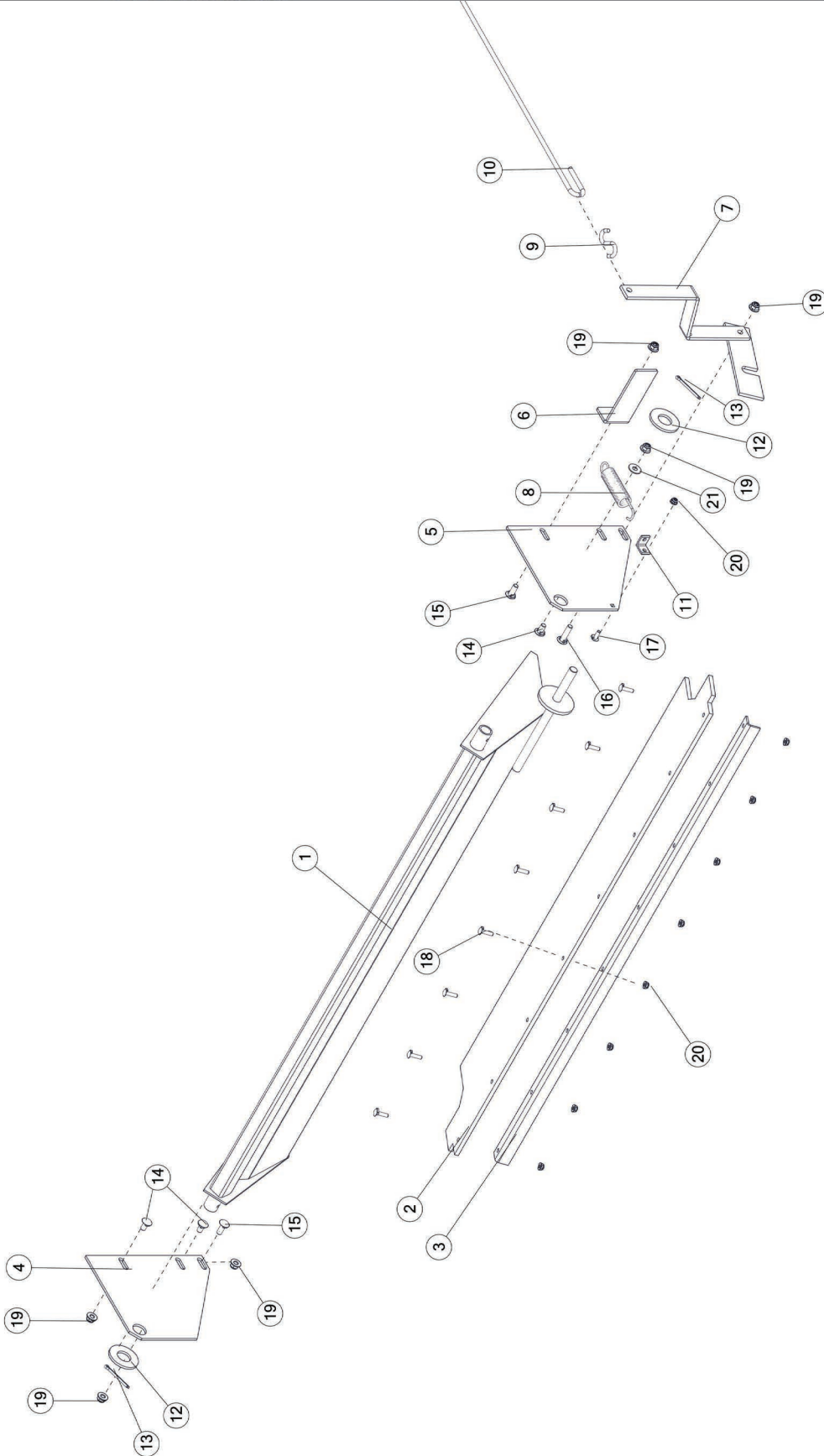




FIGURE 11
OPTIONAL REAR PAN (MSO3C)





H&S MFG. CO.
products approved
for the
FEMA
SEAL OF QUALITY



Manufactured by:
H&S MANUFACTURING CO., INC.
2608 S. HUME AVE. MARSHFIELD, WI 54449
(715) 387-3414 | hsmfgco.com

