



S1280
MANURE
SPREADER
PARTS BOOK

Part #92372 HSMFG110321 Rev. #00 Starting Ser. #222GD80001

STRONG HERITAGE - STRONG PEOPLE - STRONGER FUTURE



INSTRUCTIONS FOR ORDERING PARTS

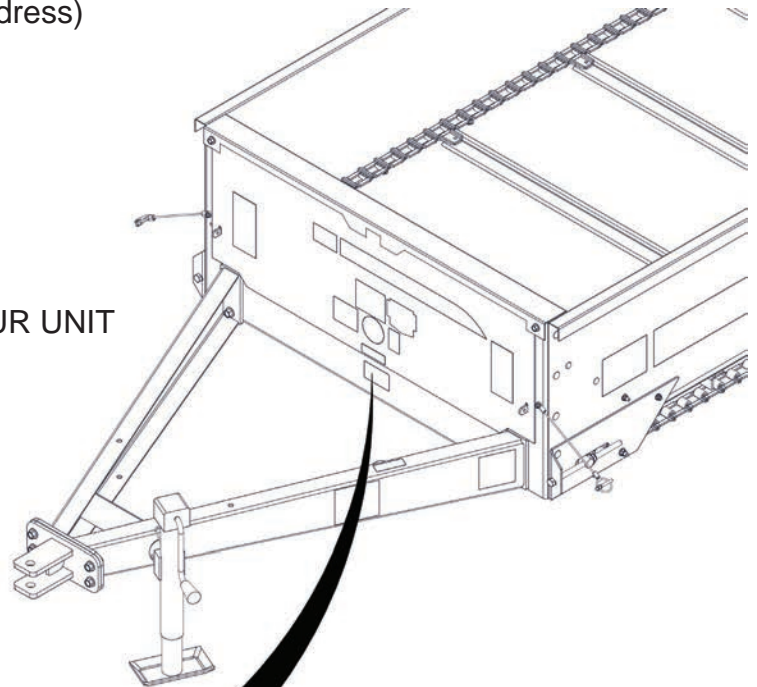
All service parts should be ordered through your authorized H&S dealer. Your Dealership will be able to give you faster service if you will provide them with the following:

1. All references to left or right apply to the machine as viewed from the rear.
2. Parts should not be ordered from illustration only. Please order complete part number.
3. If your dealer has to order parts - give shipping instructions:

VIA truck - large pieces (please specify local truck lines)

VIA United Parcel Service (include full address)

PLEASE RECORD NUMBERS FOR YOUR UNIT
FOR QUICK REFERENCE



H&S MFG. CO. INC.
MARSHFIELD, WIS.

MOD. NO.	<input type="text"/>
SER. NO.	<input type="text"/>
DESCR.	<input type="text"/>

H&S IS CONTINUALLY STRIVING TO IMPROVE ITS PRODUCTS

We must, therefore, reserve the right to make improvements or changes whenever it becomes practical to do so, without incurring any obligation to make changes or additions to the equipment previously sold.



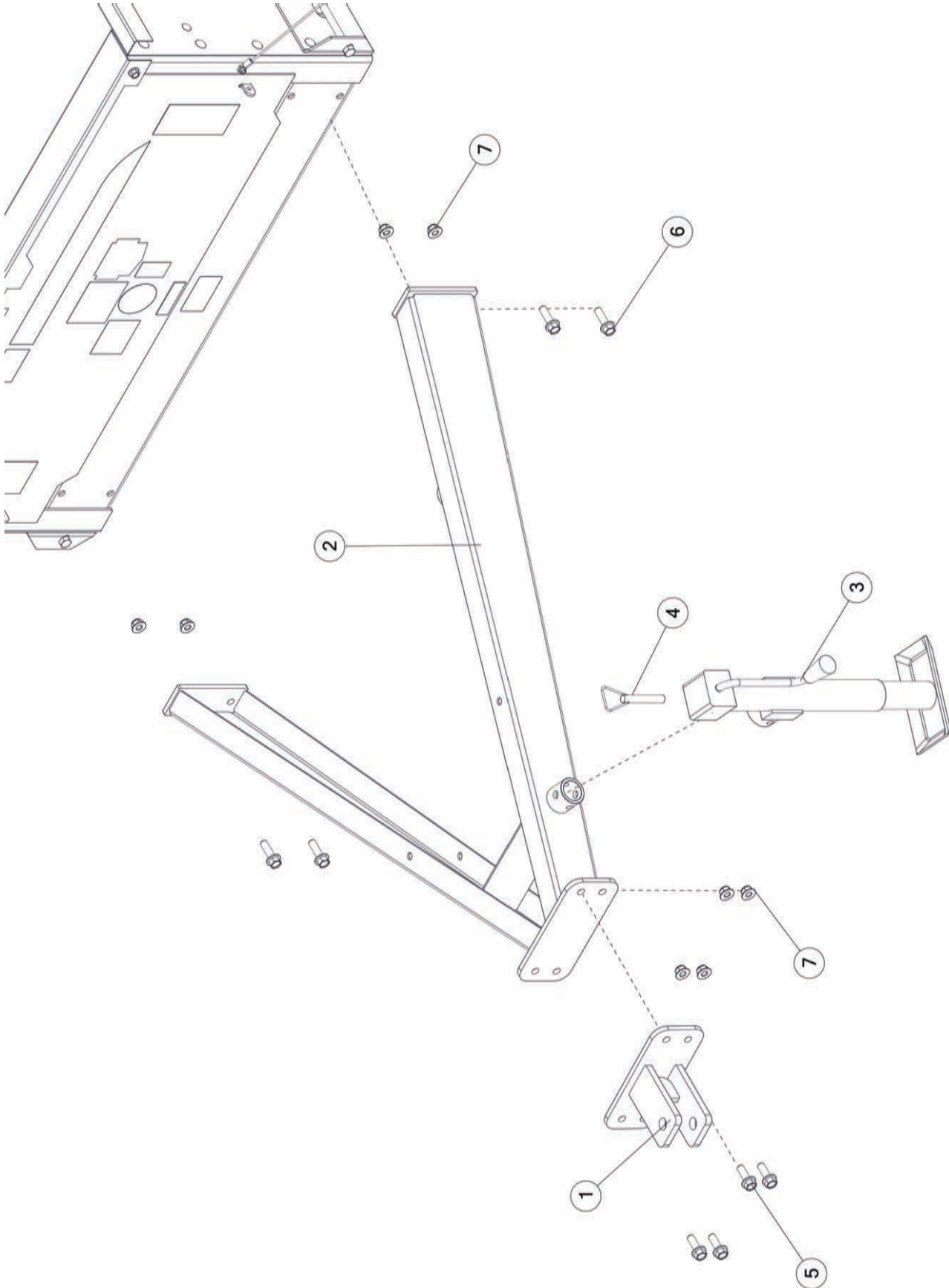




FIGURE 2
FRONT SHIELD & COMPONENTS

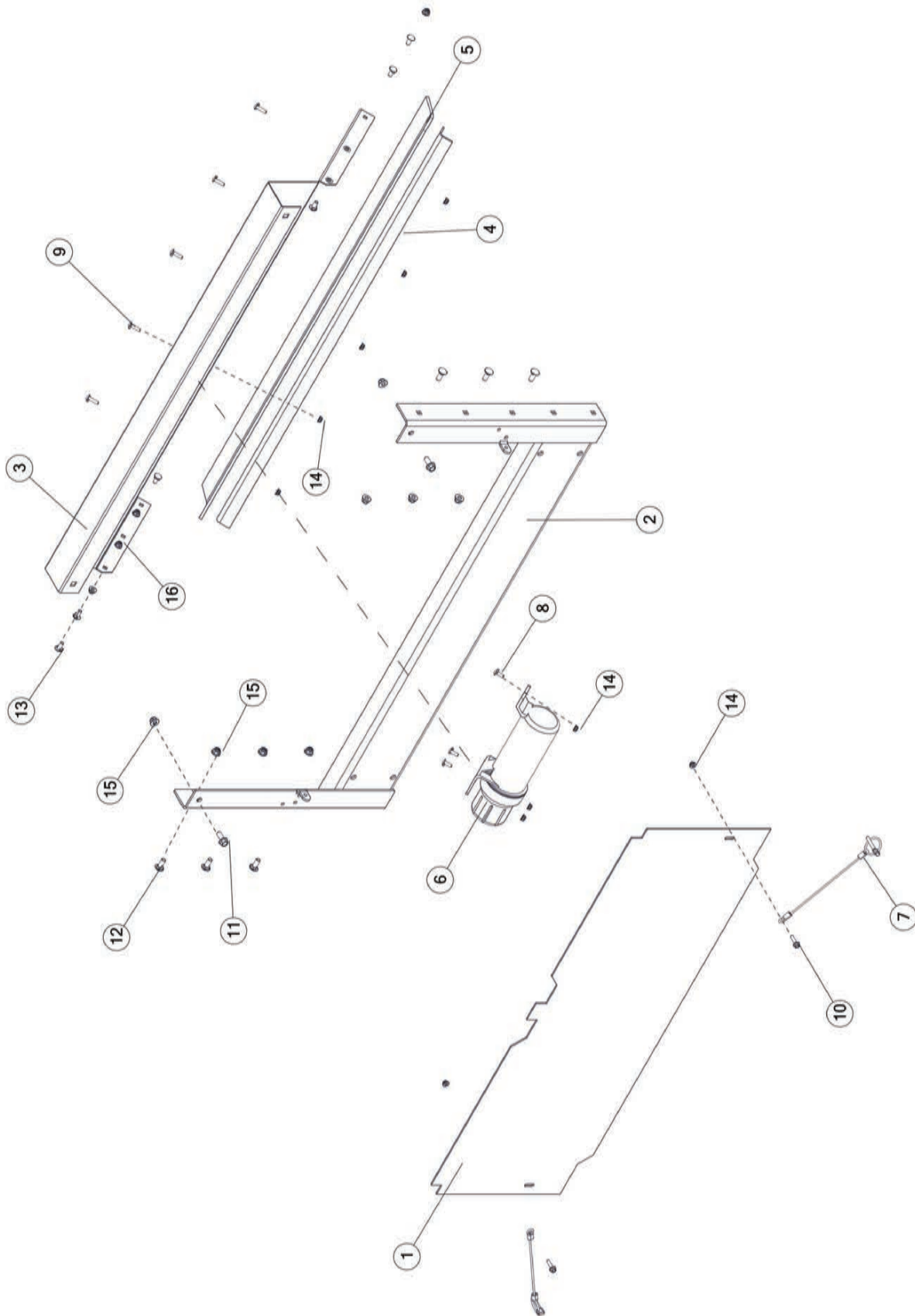




FIGURE 2

FRONT SHIELD & COMPONENTS

REF #	PART #	DESCRIPTION	QTY
1	80G14B	SHIELD, FRONT W/DECALS	1
2	80G3	SUPPORT, FRONT	1
3	91998B	SHIELD, FRONT W/DECALS	1
4	80N66	STRAP	1
5	12N69	RUBBER PANEL, FRONT	1
6	S522	MANUAL HOLDER	1
7	S122	LYNCH PIN W/CABLE	2
8	YBCR08040	BOLT CARRIAGE, 1/4 X 3/4 G5	3
9	YBCR08005	BOLT CARRIAGE, 1/4 X 1 G5	5
10	YBFB08100	BOLT FLANGE, 1/4 X 1 G5	2
11	YBFB12003	BOLT FLANGE, 3/8 X 1 G5 ZC	2
12	YBCR12010	BOLT CARRIAGE, 3/8 X 1 G5	6
13	YBCR10030	BOLT CARRIAGE, 5/16 X 3/4 G5	6
14	YNFG08010	NUT FLANGE, 1/4 GF	10
15	YNFG12006	NUT FLANGE, 3/8 GF	8
16	YNFG10005	NUT FLANGE, 5/16 GF	6



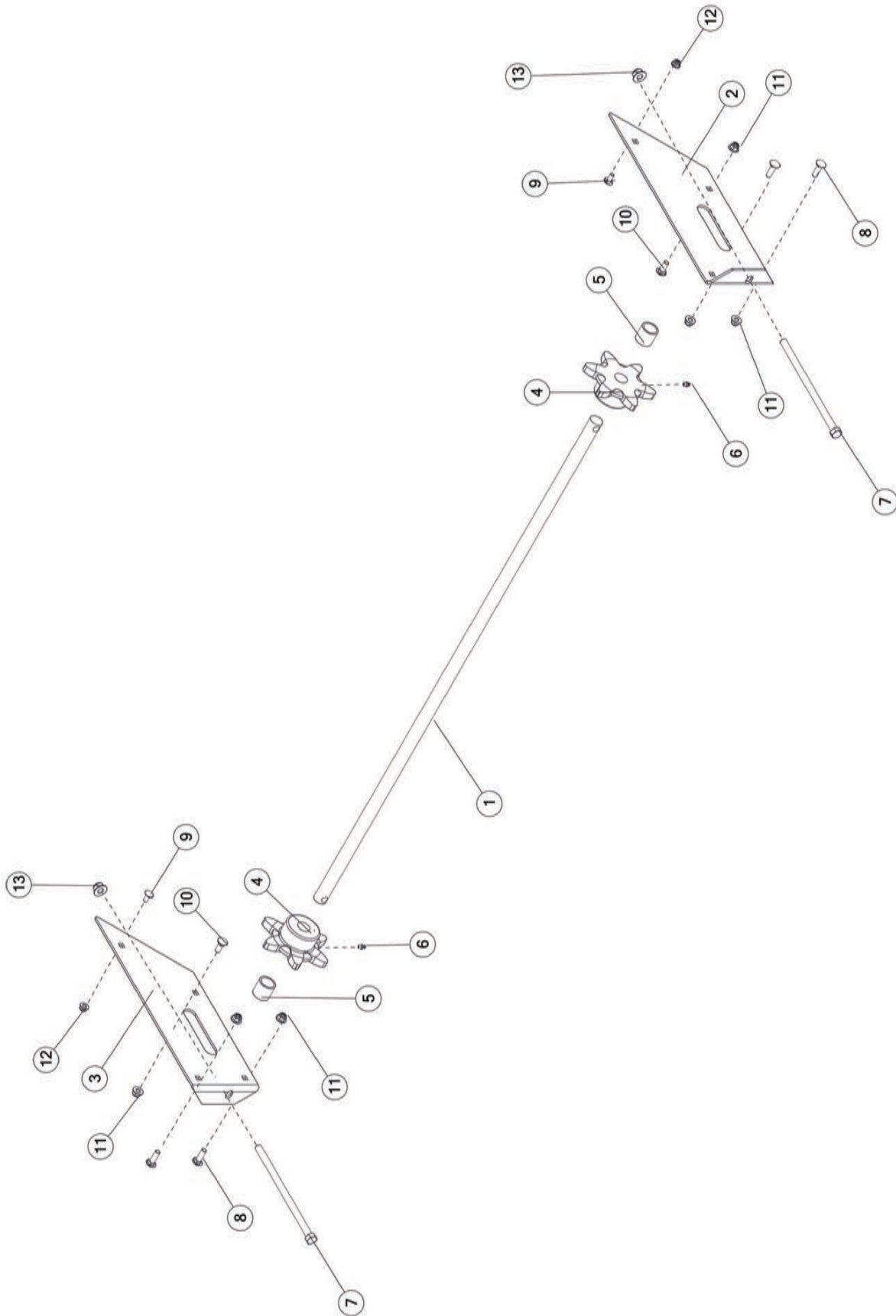




FIGURE 3 FRONT SHAFT & COMPONENTS

REF #	PART #	DESCRIPTION	QTY
1	12N67	FRONT IDLER SHAFT	1
2	5N9	APRON CHAIN TIGHTENER, LH	1
3	5N8	APRON CHAIN TIGHTENER, RH	1
4	12N65	SPROCKET, IDLER, APRON, 6	2
5	12N66	IDLER SPACER	2
6	G89	STRAIGHT ZERK, 1/4-28	2
7	YBHH16190	BOLT HEX, 1/2 X 9-1/2, 6-3/4 THREAD LENGTH	2
8	YBCR12020	BOLT CARRIAGE, 3/8-16 X 1-1/4 G5 ZC	4
9	YBCR10030	BOLT CARRIAGE, 5/16-18 X 3/4 G5 ZC	2
10	YBCR12010	BOLT CARRIAGE, 3/8-16 X 1 G5 ZC	2
11	YNFG12006	NUT FLANGE, 3/8 GF	6
12	YNFG10005	NUT FLANGE, 5/16 GF	2
13	YNFG16003	NUT FLANGE, 1/2 GF	2



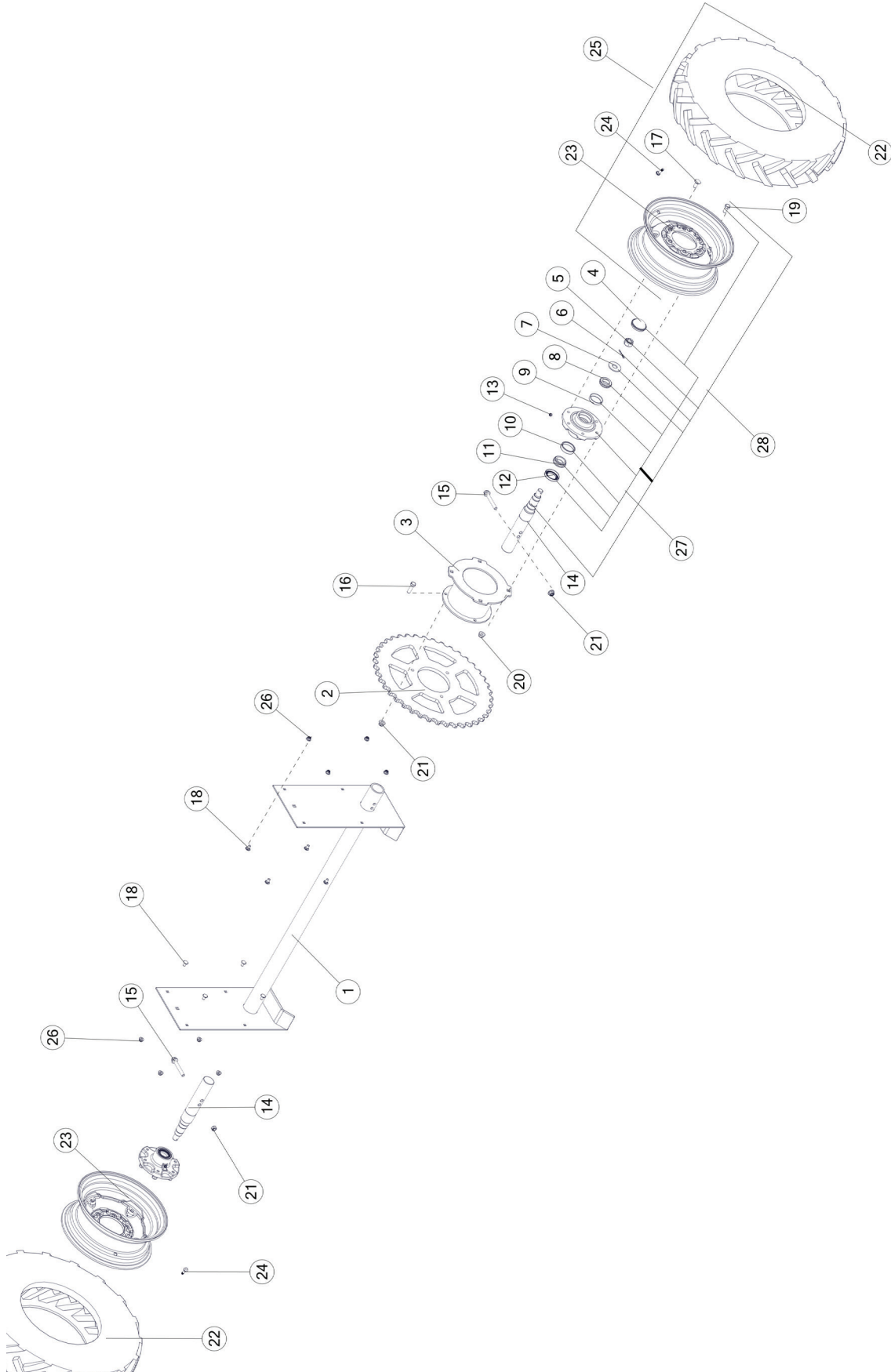




FIGURE 4

AXLE, HUB & COMPONENTS

REF #	PART #	DESCRIPTION	QTY
1	80G6	AXLE	1
2	87523	SPROCKET	1
3	92973	HUB DRUM	1
4	17G144	HUB CAP	2
5	YNSL28005	NUT HEX, SLOTTED, 7/8 G2	2
6	YPCT05010	COTTER PIN 5/32 X 1-1/2	2
7	YWFL28005	WASHER FLAT, 7/8	2
8	17G145	TAPERED ROLLER BEARING	2
9	17G146	OUTER RACE	2
10	12N19	INNER RACE	2
11	12N18	TAPER BEARING, 2.28 X 1.50 X 0.67	2
12	12N17	GREASE SEAL, 2.57OD X 1.61ID X 0.43	2
13	BFR28	GREASE ZERK 1/8 NPT	2
14	12N16	SPINDLE	2
15	YBFB16350	BOLT FLANGE, 1/2 X 3-1/2 G5	2
16	YBHH16055	BOLT HEX, 1/2 X 1-3/4 G5	6
17	YBCR16015	BOLT CARRIAGE, 1/2 X 1-1/4 G5	12
18	YBCR12065	BOLT CARRIAGE, 3/8 X 3/4 G5	8
19	YBWL16005	BOLT WHEEL, 1/2 X 1 G5	8
20	YNFG16005	NUT FLANGE, 1/2 GG	10
21	YNFG16003	NUT FLANGE, 1/2 GF	7
22	5N46	TIRE, TRACTOR LUG	2
23	RG127SR	WHEEL, 15 X 6, 6 BOLT SILVER	2
24	72436	VALVE STEM, 1-1/2" RUBBER	2
25	69983SR	TIRE & WHEEL ASSEMBLY, SILVER, LH	1
26	YNFG12006	NUT FLANGE, 3/8 GF	8
27	12N79	COMPLETE HUB ASSEMBLY	2
28	86815	HUB SUB-ASSY	2
*	69990SR	TIRE & WHEEL ASSEMBLY, SILVER, RH	1
29	YBCR16005	BOLT CARRIAGE, 1/2 X 1 G5	1



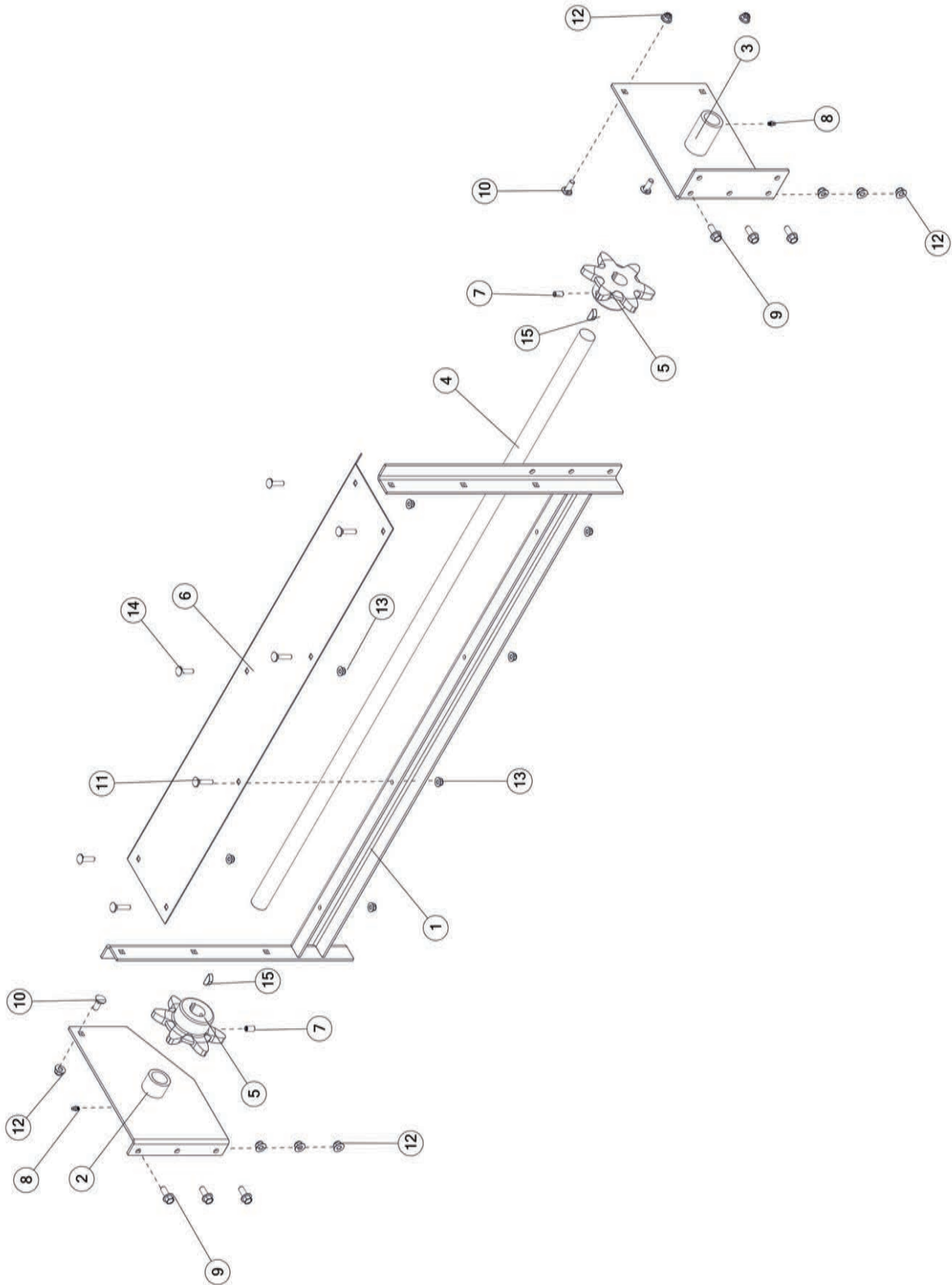




FIGURE 5

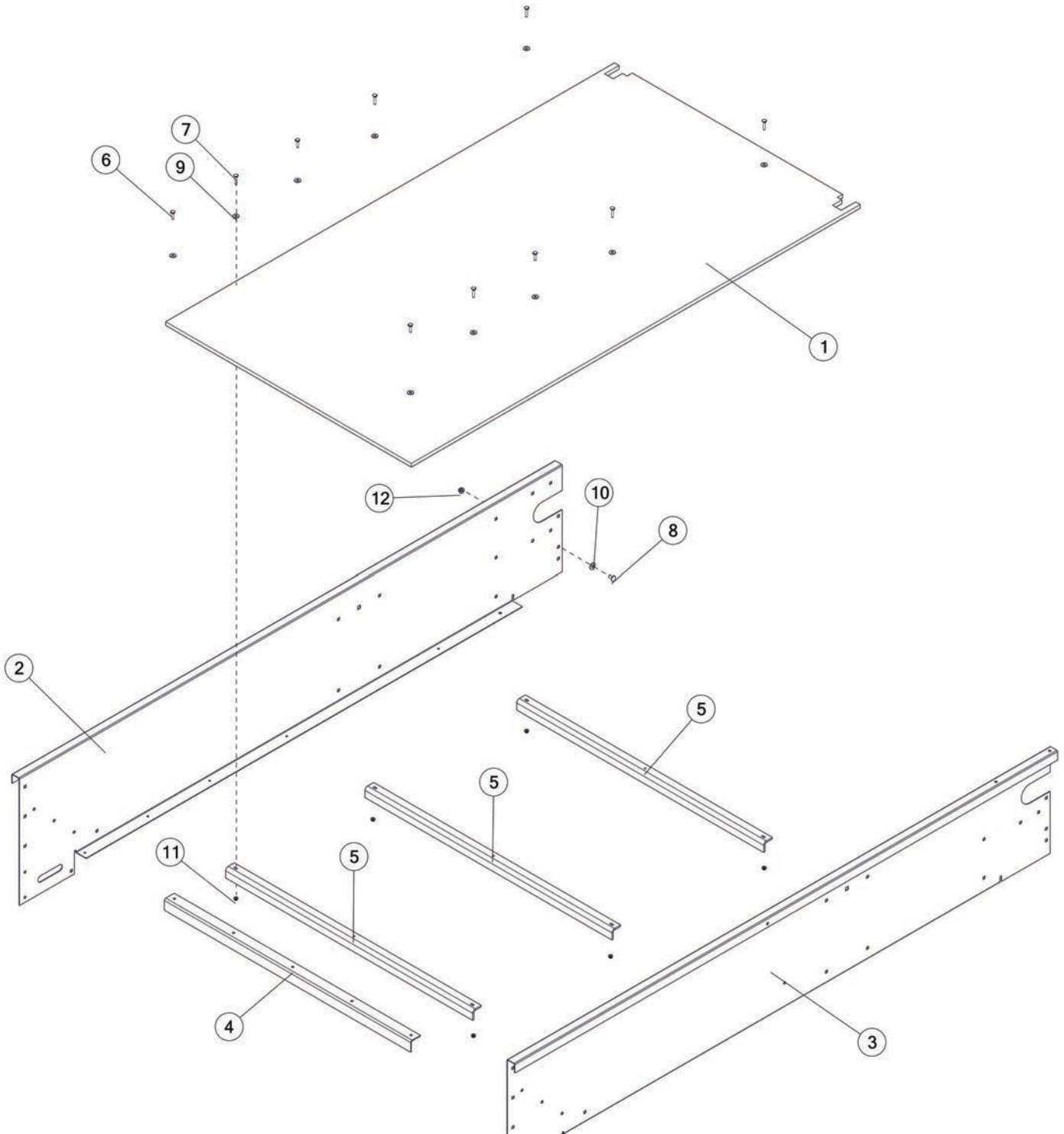
REAR SUPPORT & COMPONENTS

REF #	PART #	DESCRIPTION	QTY
1	80G7	SUPPORT, BACK	1
2	80G8	DRIVE SHAFT BRACKET RH	1
3	80G9	DRIVE SHAFT BRACKET LH	1
4	80G16	APRON DRIVE SHAFT	1
5	80N63	APRON DRIVE SPROCKET, 6T	2
6	80G063	REAR FLOOR BRACE LARGE	1
7	YSKP12035	SCREW SET, SCKT, KNRD CUP PT 3/8 X 3/4	2
8	G89	STRAIGHT ZERK 1/4-28 X 90	2
9	YBFB12003	BOLT FLANGE, 3/8 X 1 G5 ZC	6
10	YBCR12010	BOLT CARRIAGE, 3/8 X 1 G5	3
11	YBCR10015	BOLT CARRIAGE, 5/16 X 1-1/2 G5	4
12	YNFG12006	NUT FLANGE, 3/8 GF	9
13	YNFG10005	NUT FLANGE, 5/16 GF	5
14	YBCR10020	BOLT CARRIAGE, 5/16-18 X 1-1/4, G5, ZC	3
15	G12	WOODRUFF KEY, 5/16 X 1	2





FIGURE 6 FLOOR & SIDE COMPONENTS





REF #	PART #	DESCRIPTION	QTY
1	80G20	FLOOR	1
2	91984B	TUB SIDE, RH W/DECALS	1
3	92006B	TUB SIDE, LH W/DECALS	1
4	80G4	SHAFT COVER, FRONT	1
5	80G5	BRACKET, FLOOR CROSS PIECE	3
6	YBCR08015	BOLT CARRIAGE, 1/4-20 X 1-1/4, G5 ZC	2
7	YBCR08011	BOLT CARRIAGE, 1/4 X 1-1/2 G5	8
8	YBCR12065	BOLT CARRIAGE, 3/8 X 3/4 G5	1
9	YWFL10005	WASHER FLAT, 5/16 USS	10
10	YWFL12005	WASHER FLAT, 3/8 G5	1
11	YNFG08010	NUT FLANGE, 1/4 GF	6
12	YNFG12006	NUT FLANGE, 3/8 GF	1





FIGURE 7 PIVOT ARM, SPRINGS & COMPONENTS

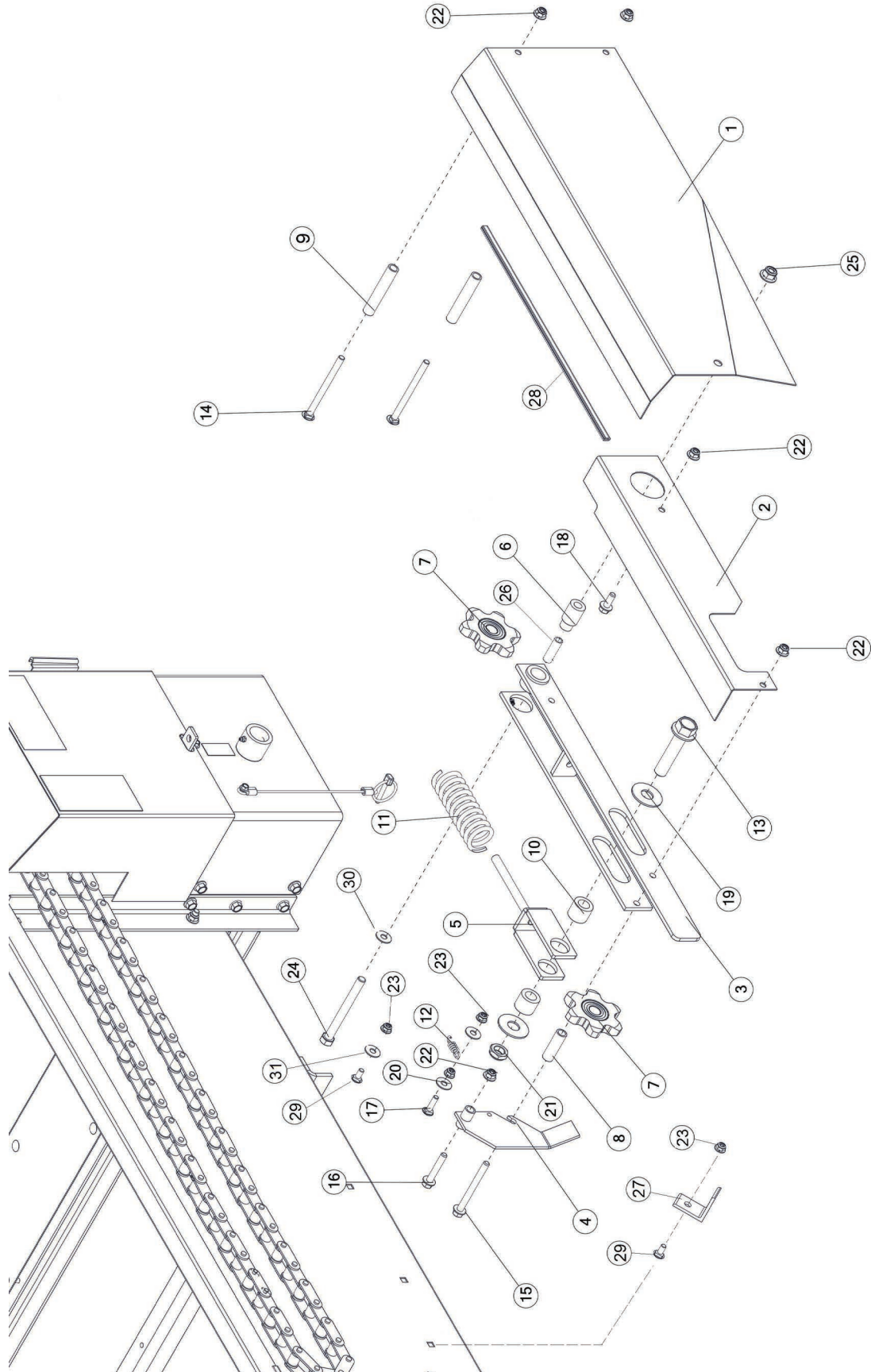




FIGURE 7

PIVOT ARM, SPRINGS & COMPONENTS

REF #	PART #	DESCRIPTION	QTY
1	92031	SHIELD, STATIONARY	1
2	92032B	SHIELD, ROTARY W/DECALS	1
3	5N28	PIVOT ARM	1
4	5N35	LATCH	1
5	5N27	IDLER SPRING BRACKET	1
6	86074	PIVOT OUTSIDE SPACER	1
7	86075	IDLER SPROCKET	2
8	5N34	PIVOT ARM SPACER	1
9	5N36	SHIELD SPACER	2
10	86072	SLIDING IDLER SPACER	2
11	S109	SPRING	1
12	12R3	RATCHET DOG SPRING	1
13	YBFB24350	BOLT FLANGE, 3/4 X 3-1/2 G5	2
14	YBCR12115	BOLT CARRIAGE, FT, 3/8-16 X 5 G5 ZC	2
15	YBFB12400	BOLT FLANGE, 3/8 X 4 G5	1
16	YBFB12225	BOLT FLANGE, 3/8 X 2-1/4 G5	1
17	YBCR10020	BOLT CARRIAGE, 5/16-18 X 1-1/4 G5 ZC	1
18	YBFB12003	BOLT FLANGE, 3/8 X 1 G5 ZC	1
19	YWFL24005	WASHER FLAT, 3/4	2
20	YWFL12005	WASHER FLAT , 3/8 G5	2
21	YNNJ24005	NUT JAM, 3/4 G2	1
22	YNFG12006	NUT FLANGE, 3/8 GF	5
23	YNFG10005	NUT FLANGE, 5/16 GF	4
24	YBHH16156	BOLT HEX, FT, 1/2-13 X 5 G5 ZC	1
25	YNFG16003	NUT FLANGE, 1/2 GF	1
26	86073	INSIDE BUSHING	1
27	ST33	TIGHTENER	1
28	5N73	EDGE GUARD, 1/8 X 18	1
29	YBCR10030	BOLT CARRIAGE, 5/16 X 3/4 G5	2
30	YWFL16005	WASHER FLAT, 1/2	1
31	YWFL14005	WASHER FLAT, 7/16	1





FIGURE 8 RATCHET GEAR & COMPONENTS

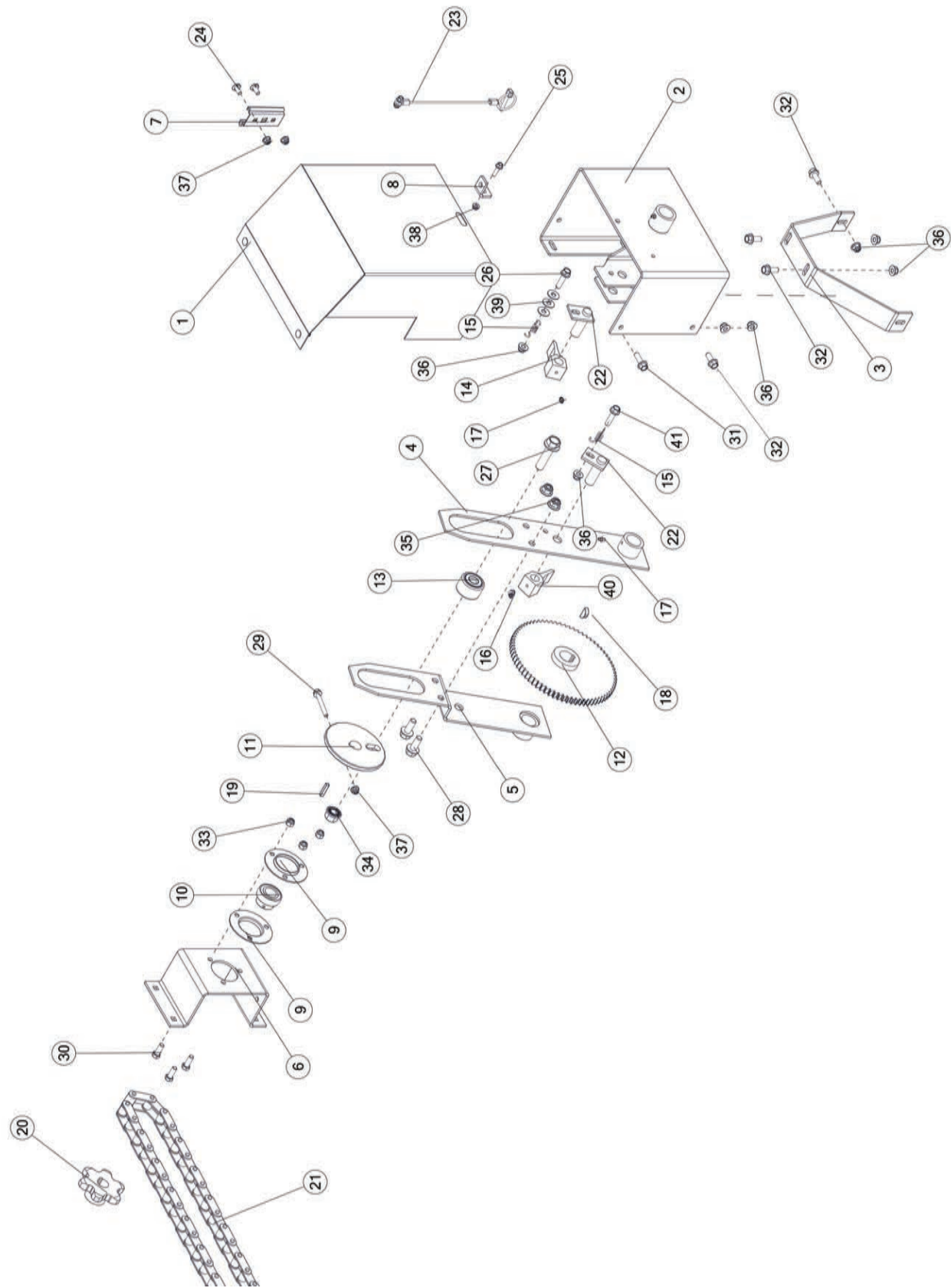




FIGURE 8

RACHET GEAR COMPONENTS

REF #	PART #	DESCRIPTION	QTY
1	5N32B	SHIELD W/DECALS, REAR	1
2	5N17	APRON MECHANISM COVER, LH	1
3	5N50	BEATER MOUNT RE-ENFORCEMENT	1
4	5N13	RECIPROCATOR FACE	1
5	5N14	RECIPROCATING ARM	1
6	5N16	BEATER BRACKET	1
7	F97	SMV BRACKET	1
8	5N53	BACK SHIELD ANGLE	1
9	4C7	FLANGE BEARING	2
10	4C8	BEARING W/COLLAR, 1	1
11	5N23	BEATER CAM HUB	1
12	5N21	RATCHET GEAR	1
13	T66	CAM BEARING	1
14	5N20	HOLDING DOG W/STRAIGHT ZERK	1
15	23N186	TORSION SPRING	2
16	RG21	GREASE ZERK, 45 DEGREE	1
17	G89	STRAIGHT ZERK, 1/4-28 X 90	2
18	G12	WOODRUFF KEY, 5/16 X 1	1
19	S135	SQUARE KEY, 1/4 X 1-1/4	1
20	5N76	BEATER SPROCKET, 6	1
21	5N57	DRIVE CHAIN	1
*	K121	CONNECTING LINK	1
22	5N26	DOG PIN	2
23	S122	LYNCH PIN W/CABLE	1
24	YBCR10030	BOLT CARRIAGE, 5/16 X 3/4 G5	2
25	YBFB08100	BOLT FLANGE, 1/4 X 1 G5	1
26	YBFB12150	BOLT FLANGE, 3/8 X 1-1/2 G5	1
27	YBFB20250	BOLT FLANGE, 5/8 X 2-1/2 G5	1
28	YBFB16125	BOLT FLANGE, 1/2 X 1-1/4 G5	2
29	YBFB10250	BOLT FLANGE, 5/16 X 2-1/2 G5	1
30	YBHH12010	BOLT HEX, 3/8 X 1 G5	3



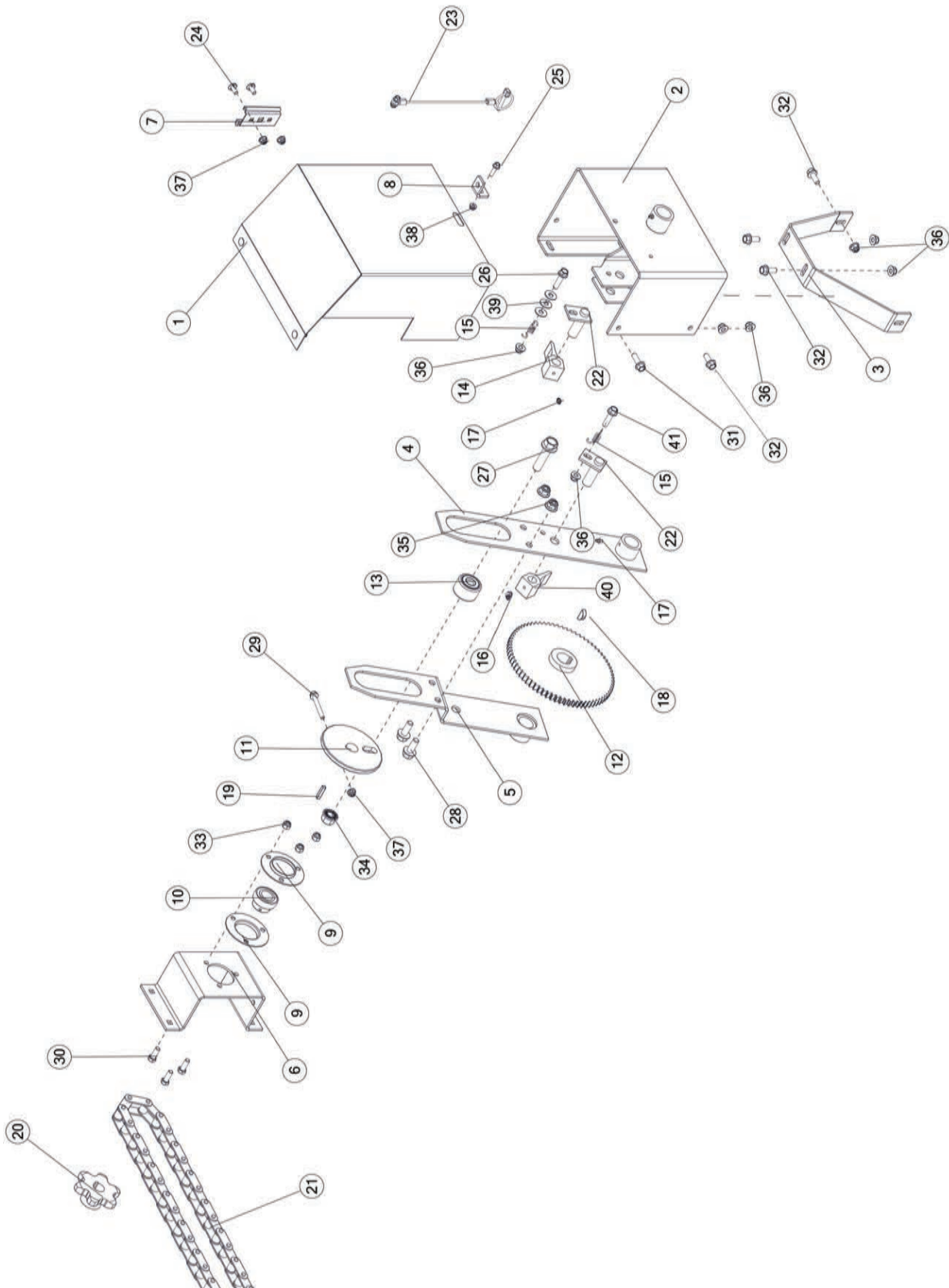
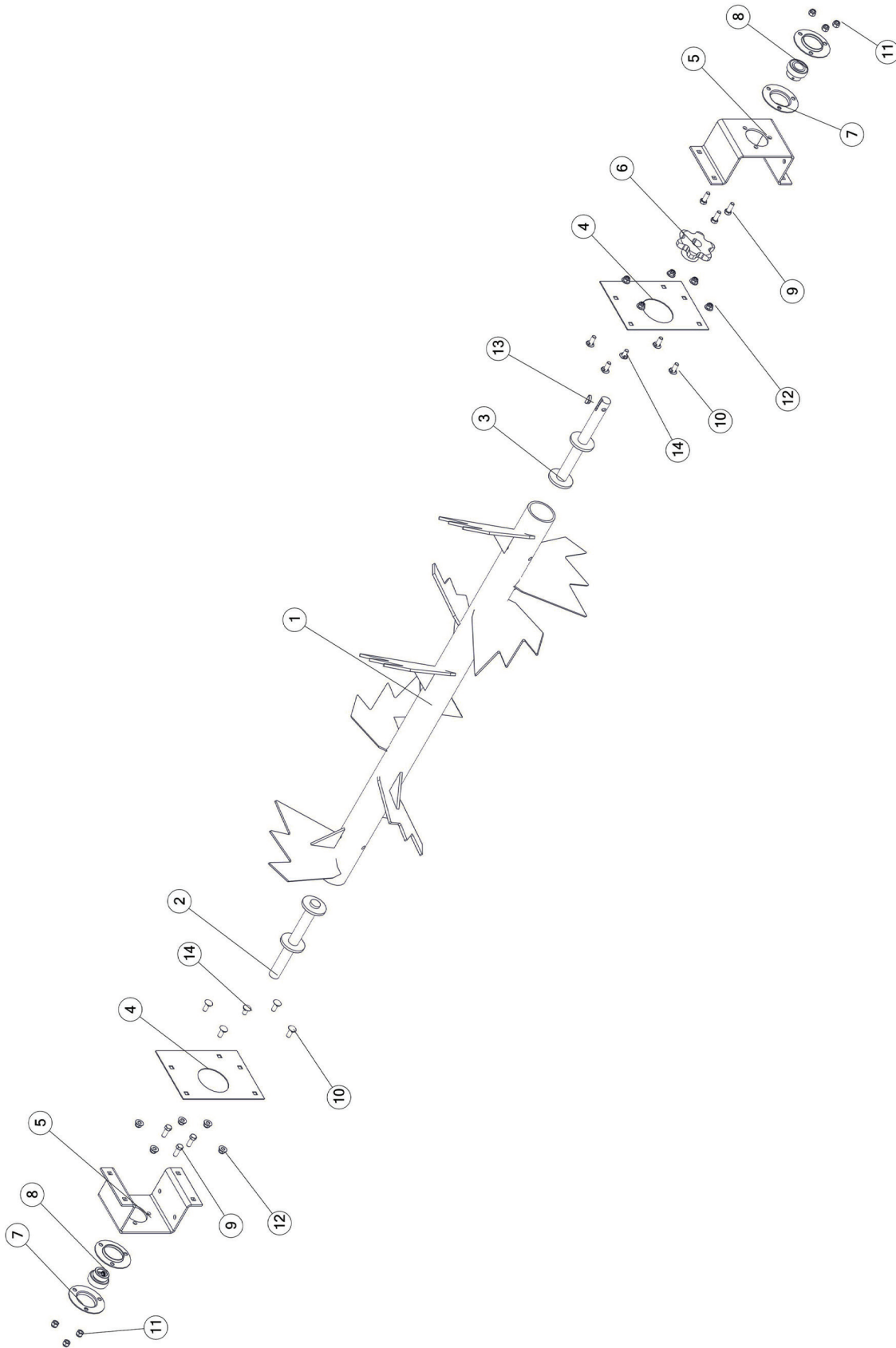
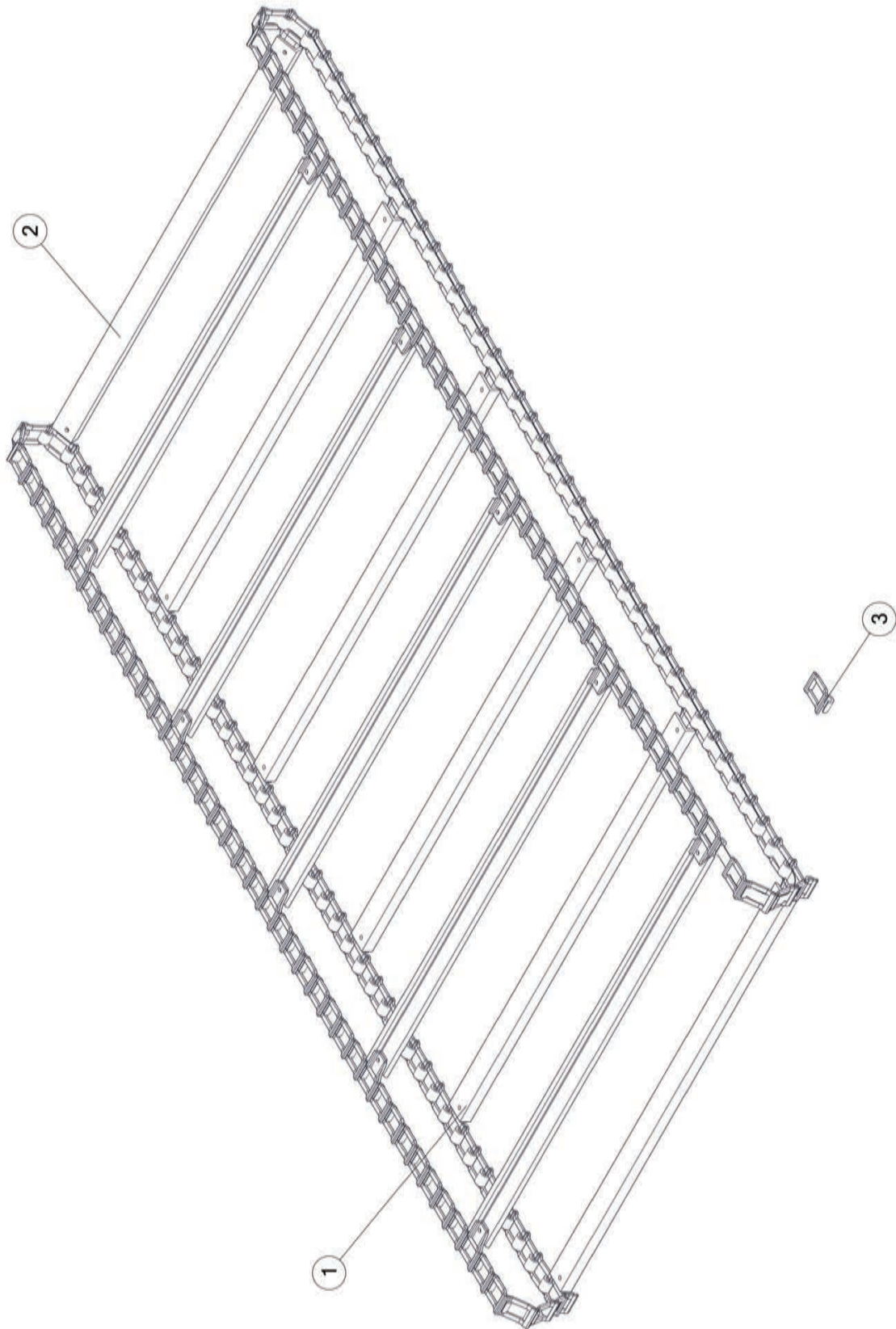




FIGURE 9 BEATER & COMPONENTS










FIGURE 10
APRON CHAIN & COMPONENTS

REF #	PART #	DESCRIPTION	QTY
1	80G19	APRON CHAIN #67H	1
2	80N62	SLAT W/ ATTACHMENT LINK #67H	11
3	11S25	67H CONNECTOR LINK	150



FIGURE 11
OPTIONAL REAR PAN (MSO3C)

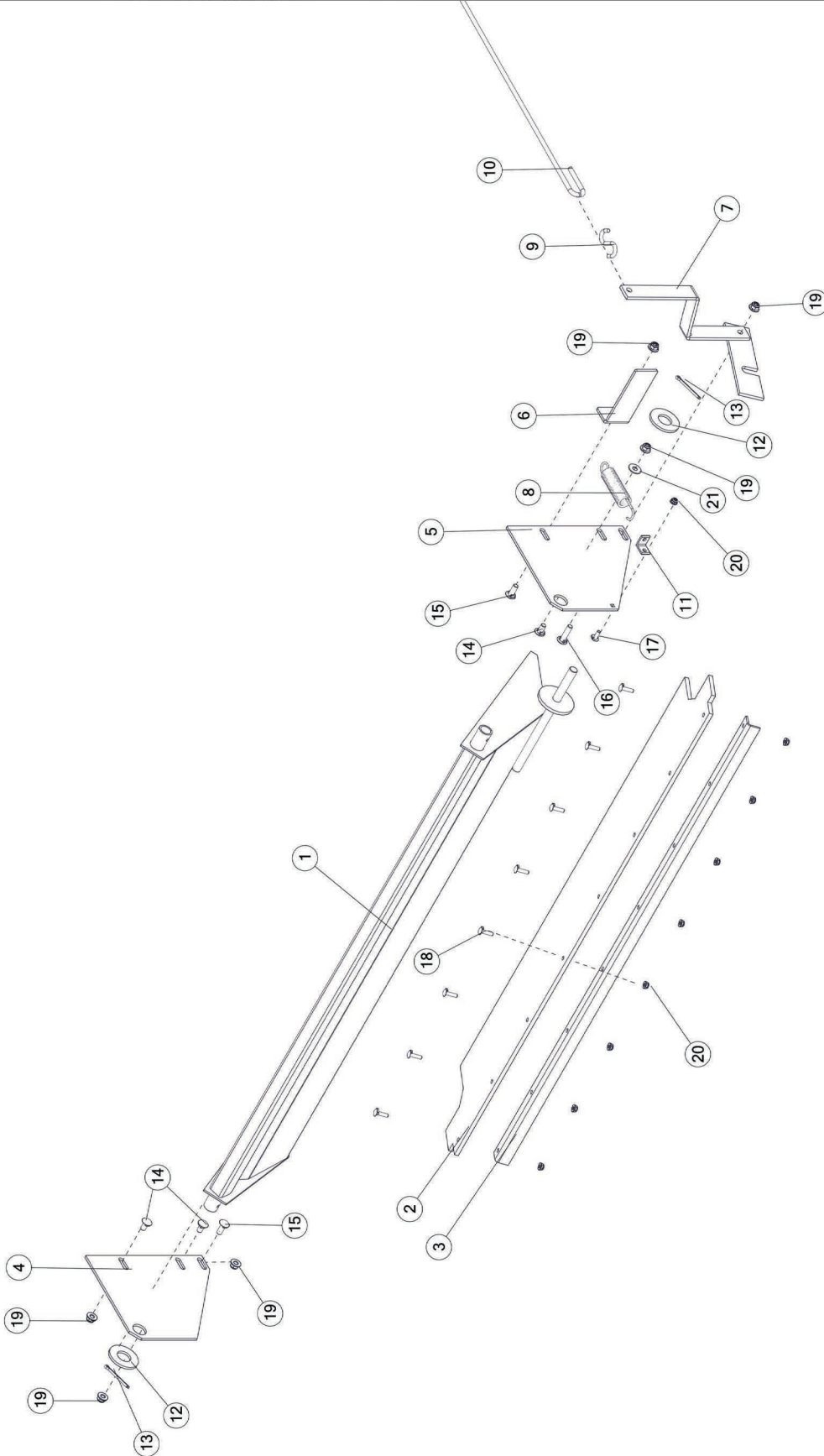




FIGURE 11
OPTIONAL REAR PAN (MSO3C)

REF #	PART #	DESCRIPTION	QTY
1	80N1	PAN	1
2	12N53	PAN RUBBER	1
3	12N52	PAN ANGLE BRACKET	1
4	80N2	PAN LH	1
5	80N3	PAN RH	1
6	80N82	PAN HANDLE STOP	1
7	5N67	PAN HANDLE	1
8	R27	PAN HANDLE SPRING	1
9	YMHK92005	S-HOOK, .262 X 2-1/4 X 11/16	1
10	80N6	TRIP ROPE	1
11	R26	SPRING BRACKET	1
12	R3	PAN SPACER	2
13	YPCT06020	COTTER PIN, 3/16 X 2	2
14	YBCR12065	BOLT CARRIAGE, 3/8 X 3/4 G5	3
15	YBCR12010	BOLT CARRIAGE, 3/8 X 1 G5	2
16	YBCR12015	BOLT CARRIAGE, 3/8-16 X 1-1/2 G5	1
17	YBCR08040	BOLT CARRIAGE, 1/4 X 3/4 G5	1
18	YBCR08005	BOLT CARRIAGE, 1/4 X 1 G5	8
19	YNFG12006	NUT FLANGE, 3/8 GF	6
20	YNFG08010	NUT FLANGE, 1/4 GF	9
21	YWFL12005	WASHER FLAT, 3/8 G5	1





H&S MFG. CO.
products approved
for the
FEMA
SEAL OF QUALITY



Manufactured by:
H&S MANUFACTURING CO., INC.
2608 S. HUME AVE. MARSHFIELD, WI 54449
(715) 387-3414 | hsmfgco.com

