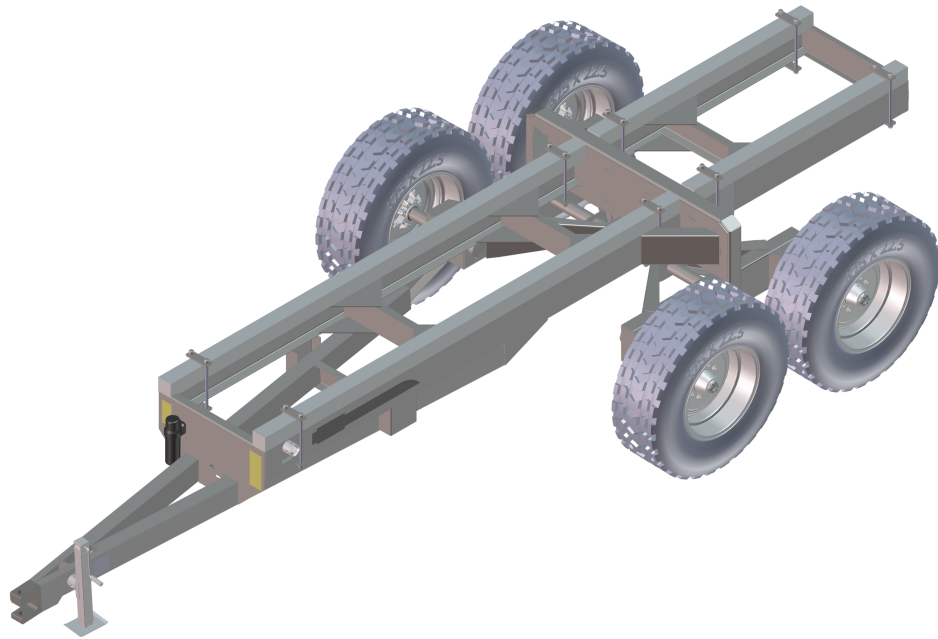


H&S PARTS BOOK

18/20 CHASSIS



Revision #00
Starting Ser. #210073

Part #74102
HSMFG0115

P.O. BOX 768, MARSHFIELD, WI 54449
(715) 387-3414 FAX (715) 384-5463
www.hsmfgco.com

CONTENTS

Instructions for Ordering Parts - About Improvements	1
Figure 1 - Main Frame & Components	2-3
Figure 2 - Hub & Tandem Assembly	4-5
Figure 3 - Brake Line Assembly	6-7
Figure 4 - Brake Harness Assembly	8-9
Figure 5 - Brake Assembly.....	10-11
Figure 6 - Notes , , , , , , , ,	12

INSTRUCTIONS FOR ORDERING PARTS

All service parts should be ordered through your authorized H&S dealer. They will be able to give you faster service if you will provide them with the following

1. Model & Serial number is located on the left, rear main frame of your unit.
2. All reference to left or right apply to the machine as viewed from the rear.
3. Parts should not be ordered from illustration only. Please order by complete part number.
4. If your dealer has to order parts - give shipping instructions:
VIA truck - large pieces (please specify local truck lines)
VIA United Parcel Service (include full address)

H&S MFG. CO. INC.	
MARSHFIELD, WIS.	
MOD. NO.	<input type="text"/>
SER. NO.	<input type="text"/>
DESCR.	<input type="text"/>

PLEASE RECORD NUMBERS FOR YOUR UNIT FOR QUICK REFERENCE

ABOUT IMPROVEMENTS

H&S IS CONTINUALLY STRIVING TO IMPROVE IT'S PRODUCTS

We must therefore, reserve the right to make improvements or changes whenever it becomes practical to do so without incurring any obligation to make changes or additions to the equipment previously sold.

FIGURE 1

MAIN FRAME & COMPONENTS

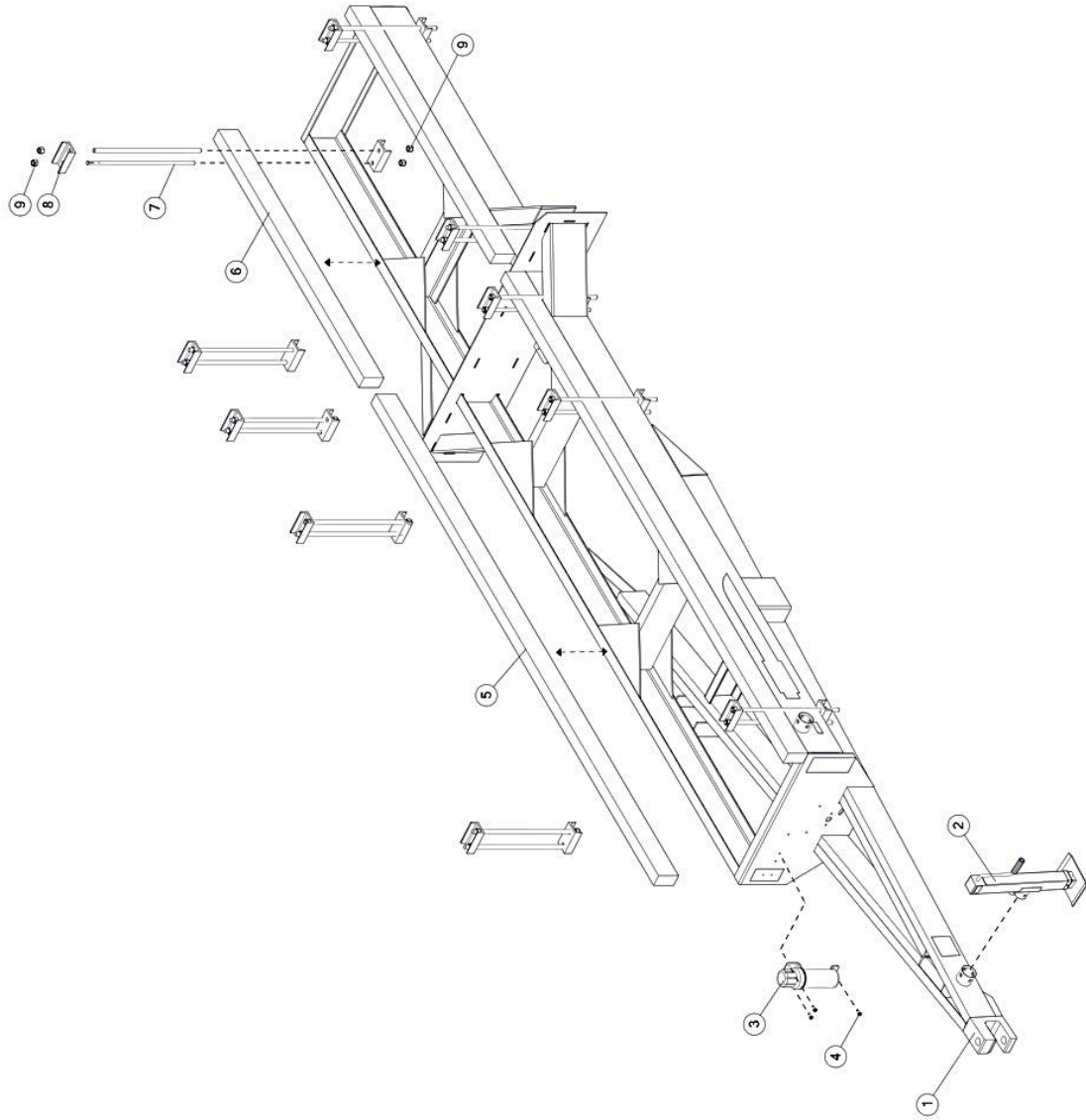


FIGURE 1

MAIN FRAME & COMPONENTS

<u>ITEM</u>	<u>QTY</u>	<u>PART #</u>	<u>DESCRIPTION</u>
1	1	58233	CHASIS 18/20 FRAME WITH DECALS
2	1	TS306	7000 LB SQUARE JACK 15" TRAVEL
3	1	S522	MANUAL HOLDER
4	3	YSST10005	.312 X 1 SELF THREADING FLANGE BOLT
5	2	SFBC2	FRONT WOOD CHASSIS SPACER
6	2	SFBC3	REAR WOOD CHASSIS SPACER
7	20	FBC6	SCR, ROD, 0.75 - 16 X 24.0, G5, ZC
8	20	70602	CHL, C, 3.00 X 1.52 X 5.25, TIE DOWN
9	40	YNNY24006	HEX NUT, NYLON LOCKNUT, 3/4-16

FIGURE 2

HUB & TANDEM ASSEMBLY

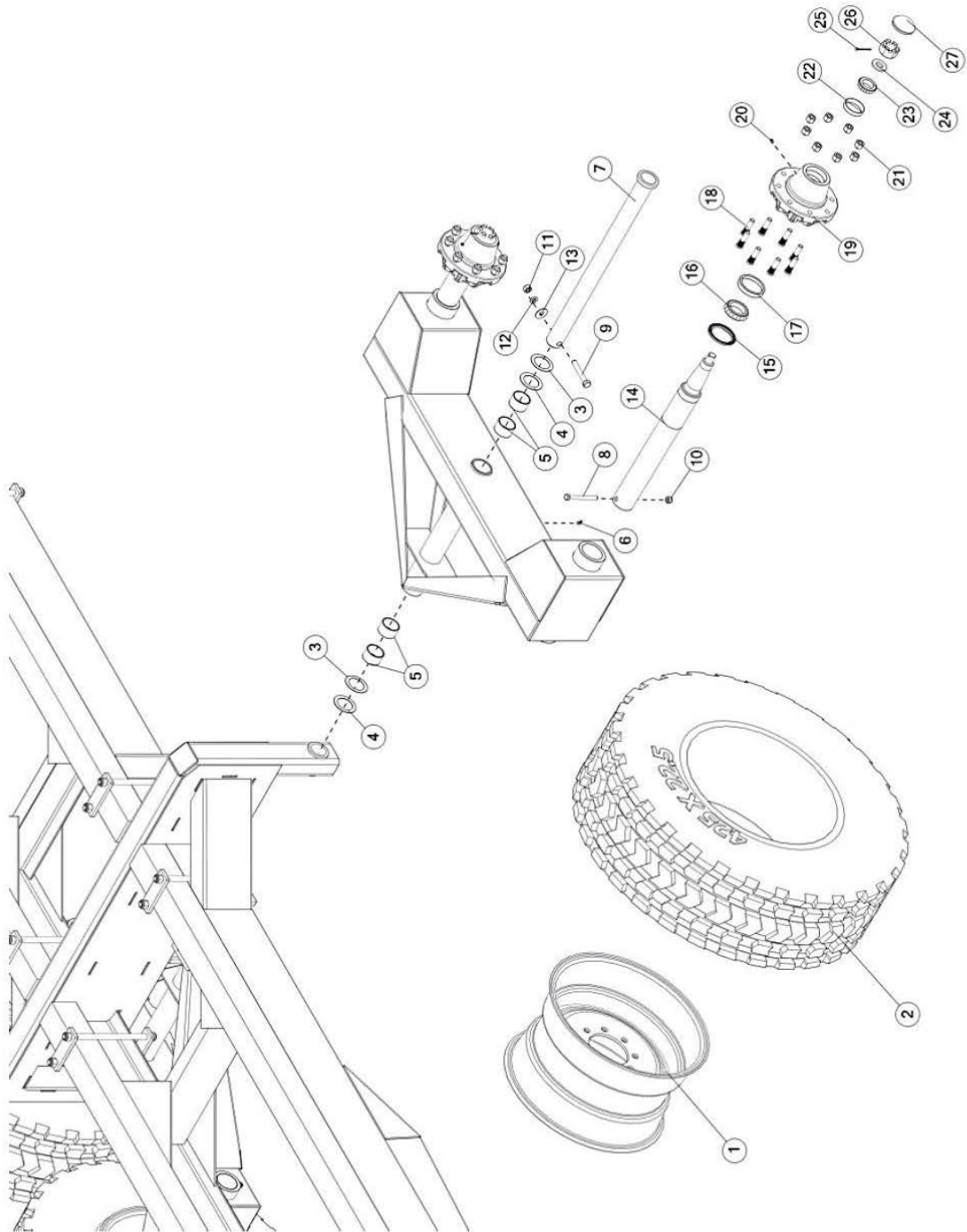


FIGURE 2

HUB & TANDEM ASSEMBLY

<u>ITEM</u>	<u>QTY</u>	<u>PART #</u>	<u>DESCRIPTION</u>
1	4	16SV89	WHEEL, 22.5 X 13.5
2	4	16SV88	TIRE 425 X 22.5
3	4	59971	WASHER, THRUST 3.25 OD X 2.281 ID X .036
4	4	RG59	THRUST WASHER
5	8	50N8	TANDEM PIVOT BUSHING
6	2	RG51	ZERK, 90 DEGREE 1/4"-28 # B1911
7	2	50N153	TANDEM PIN
8	4	YBHH16150	BOLT, 1/2 X 4-3/4 GR 5
9	2	YBHH20067	BOLT, 5/8 X 4-1/4 GR 5
10	4	YNNY16005	HEX NUT, NYLON LOCKNUT, 1/2
11	2	YNHX20005	HEX NUT, 5/8-11 PLATED
12	2	YWLO20005	HEX NUT, 5/8-11 PLATED
13	2	YWFL20005	WASHER, FLAT, 5/8 USS
14	4	56752	SPINDLE
15	4	33SV42	SEAL
16	4	33SV43	INNER BEARING
17	4	33SV44	INNER RACE
18	32	YBSD20010	STUD BOLT, 5/8-18 UNF X 2-1/2 (7/8 SHOULDER)
19	4	54475	758(B) HUB CASTING
20	4	G89	ZERK, 1/4"-28 STRAIGHT-STD #1641
21	32	YNWL20005	WHEEL NUT, 5/8-18 UNF
22	4	RG169	RACE, OUTER
23	4	17G150	INNER BEARING
24	4	33SV95	SPINDLE WASHER
25	4	YPCT07005	COTTER PIN, 7/32 X 2
26	4	YNLS24005	HEX NUT, SLOTTED, 3/4-10
27	4	RG71	STUD BOLT

FIGURE 3
BRAKE LINE ASSEMBLY

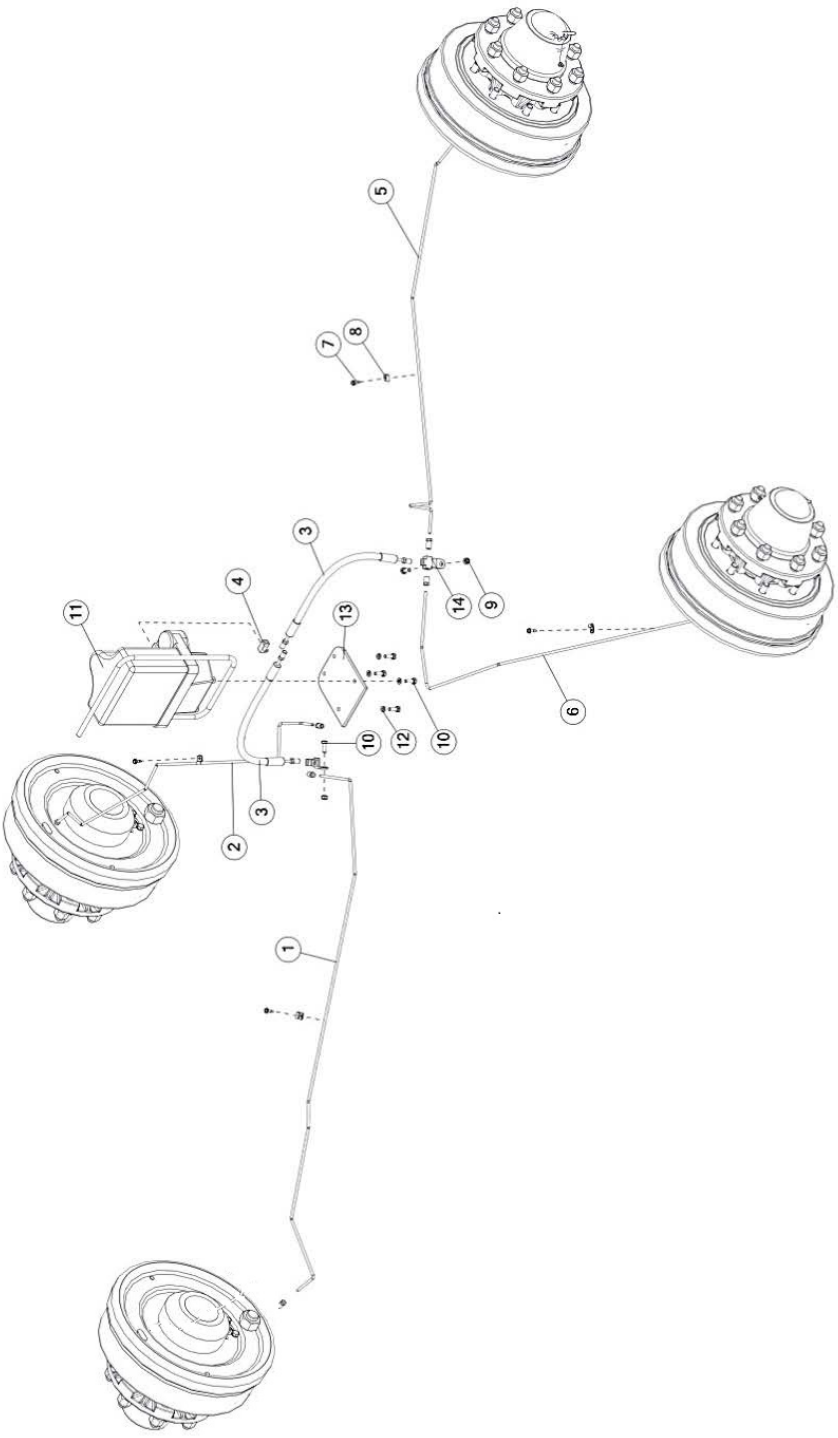


FIGURE 3

BRAKE LINE ASSEMBLY

<u>ITEM</u>	<u>QTY</u>	<u>PART #</u>	<u>DESCRIPTION</u>
1	1	57782	BRAKE LINE FRONT RIGHT 40"
2	1	57783	BRAKE LINE REAR RIGHT 50-1/2"
3	2	FBC46	HYDRAULIC BRAKE HOSE
4	1	FBC45	TEE
5	1	57781	BRAKE LINE FRONT LEFT 40"
6	1	57780	BRAKE LINE REAR LEFT 50-1/2"
7	4	YSDR64005	SELF DRILLING SCREW, HEX WASHER HEAD, #10-16 X 5/8 (ZINC)
8	4	FBC64	LOOP CLAMP SSN SERIES 3/16 D LOOP
9	2	YNNY08005	HEX NUT, NYLON LOCKNUT, 1/4-20
10	6	YBHH08100	BOLT, 1/4 X 3/4 GR 5
11	1	FBC41	BRAKERITE II 4834100
12	4	YWLO08005	WASHER, LOCK, 1/4
13	1	FBC23G18	BRAKE RITE BRACKET
14	2	RGB26	TEE #7785

FIGURE 4

BRAKE HARNESS ASSEMBLY

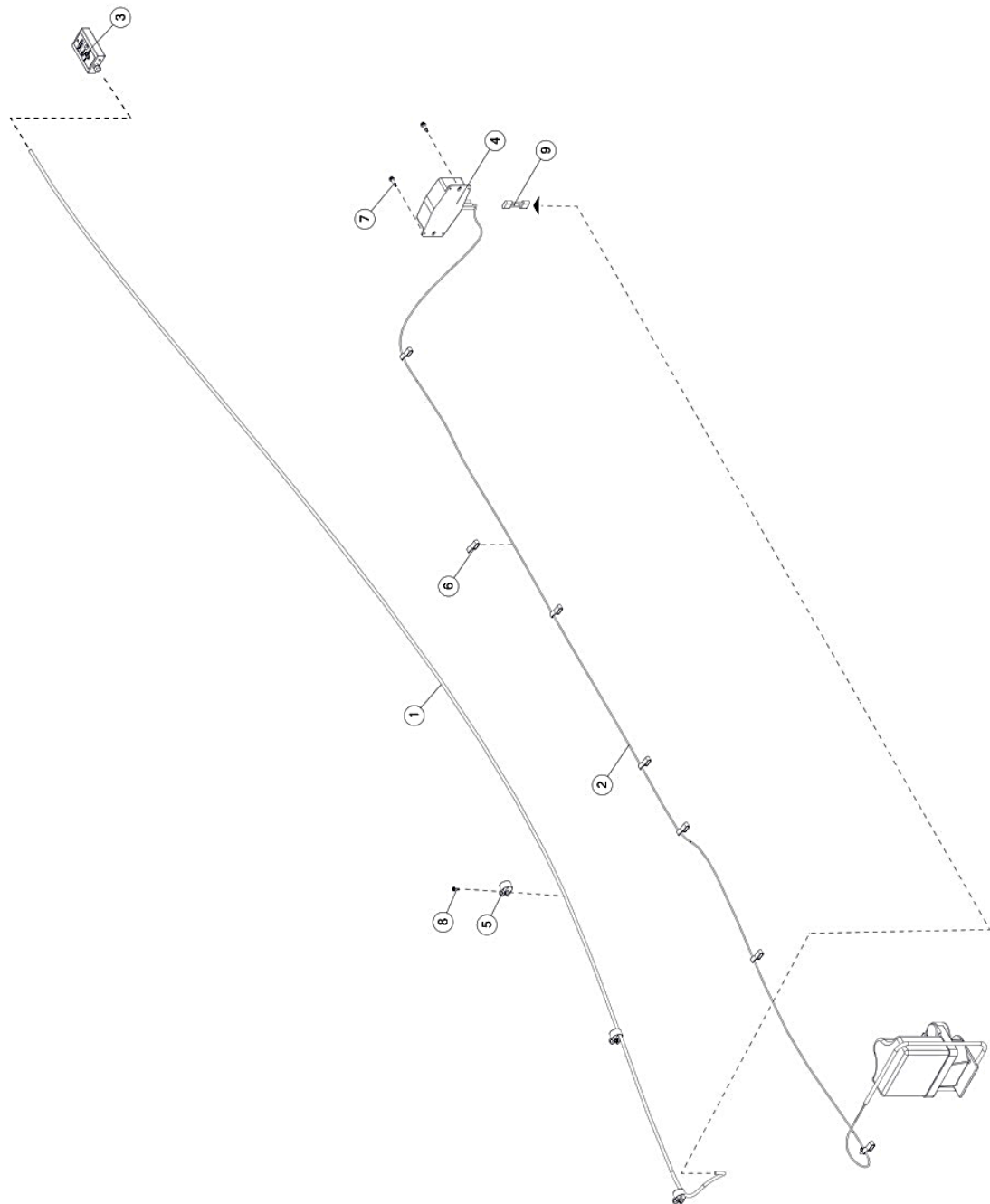


FIGURE 4

BRAKE HARNESS ASSEMBLY

<u>ITEM</u>	<u>QTY</u>	<u>PART #</u>	<u>DESCRIPTION</u>
1	1	FBC30	BRAKE HARNESS
*	1	61043	EXTENSION HARNES 8 FEET
2	1	FBC40	EXTENSION HARNESS 4858900
3	1	FBC38	IN CAB CONTROLLER
4	1	FBC39	SD CONTROL MODULE 4834200
5	3	HGV72	CUSHION WIRE CLAMP BIN STOCKED
6	7	CB15	METAL CHASSIS CLIP
7	2	YSDR08005	SELF DRILLING SCREW, HEX WASHER HEAD, 1/4-14 X 1 (ZINC)
8	3	YSDR64005	SELF DRILLING SCREW, HEX WASHER HEAD, #10-16 X 5/8 (ZINC)
9	2	57601	PRESSURE REDUCER FOR BRAKE SYSTEM

***MEANS NOT SHOWN**

FIGURE 5 BRAKE ASSEMBLY

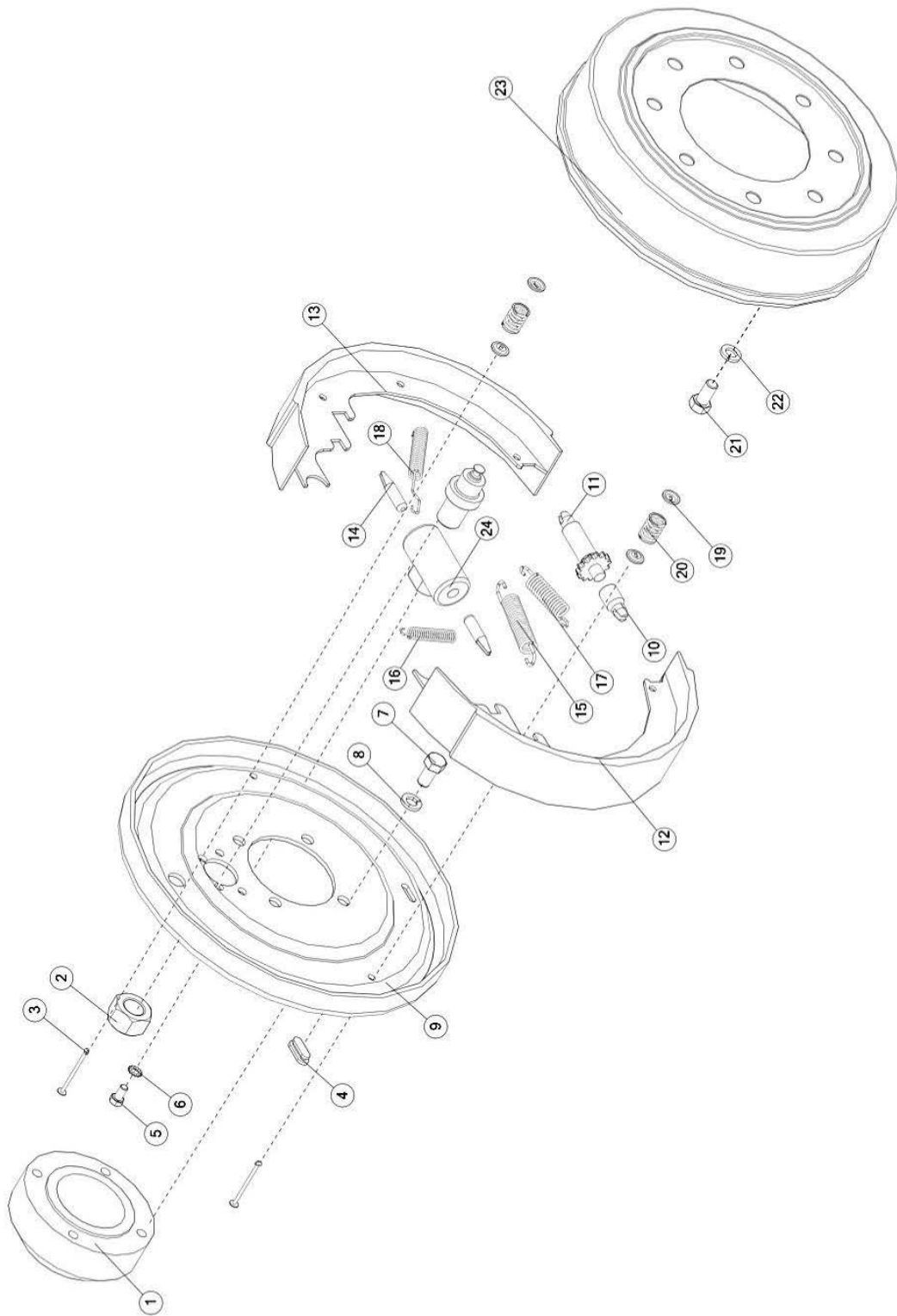
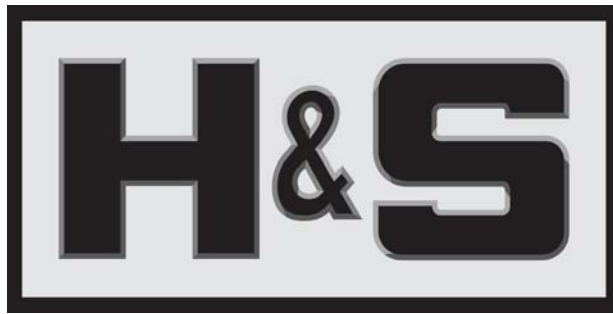


FIGURE 5

OPTIONAL TIRES

<u>ITEM</u>	<u>QTY</u>	<u>PART #</u>	<u>DESCRIPTION</u>
1	1	CB17	BACKING PLATE MOUNT
2	1	YNHX32011	HEX NUT, 1"- 8
3	2	RGB56	PIN-SHOE HOLD DOWN
4	1	FBC55	ADJUSTING HOLE COVER
5	2	YBHH10132	BOLT, 5/16 X 5/8
6	2	YWS110005	WASHER, LOCK, STAR, 5/16"
7	4	YBHH16010	BOLT, 1/2 X 1 GR 5
8	4	YWLO16005	WASHER, LOCK, 1/2
9	1	FBC48	13" INCH FB BRAKE LH
10	1	RGB61	SOCKET
11	1	RGB49	ADJUSTING SCREW
12	1	FBC50	BRAKE SHOE REAR
13	1	RGB43	FRONT SHOE ASSEMBLY
14	2	FBC54	PUSH ROD
15	1	RGB50	SPRING ADJUSTING SCREW
16	1	RGB76	SPRING SHOE
17	1	RGB75	SPRING LEVER
18	1	RGB55	SPRING SHOE
19	4	RGB57	CUP SHOE HOLD DOWN
20	2	RGB59	SPRING HOLD DOWN
21	8	YBHH16011	1/2-20 1" HEX CAP SCREW GRADE 5
22	8	YWLO16005	WASHER, LOCK, 1/2
23	1	RGB106	13" BRAKE DRUM, 8 BOLT
24	1	FBC52	WHEEL CYLINDER ASSEMBLY LEFT
*	1	FBC53	WHEEL CYLINDER ASSEMBLY RIGHT

***MEANS NOT SHOWN**



**H&S Manufacturing products are approved for the
FEMA SEAL OF QUALITY**

**P.O. BOX 768, MARSHFIELD, WI 54449
(715) 387-3414 FAX (715) 384-5463
www.hsmfgco.com**