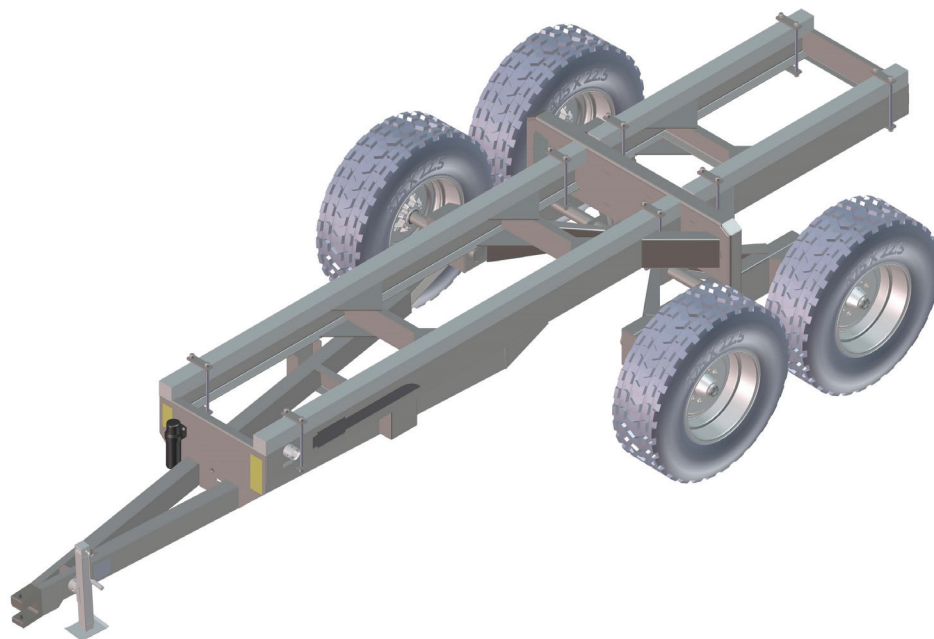


H&S

PARTS BOOK

18/20 CHASSIS



Revision #01

Starting Ser. #911CH20001

HSMFG0818

PART #74102

Manufactured By
H&S MANUFACTURING CO.,INC.
2608 S. HUME AVE. MARSHFIELD, WI 54449
(715) 387-3414 FAX (715) 384-8736

CONTENTS

Instructions for Ordering Parts - About Improvements	1
Figure 1 - Main Frame & Components	2-3
Figure 2 - Hub & Tandem Assembly	4-5
Figure 3 - Brake Line Assembly	6-7
Figure 4 - Brake Harness Assembly	8-9
Figure 5 - Brake Assembly.	10-11
Notes	12

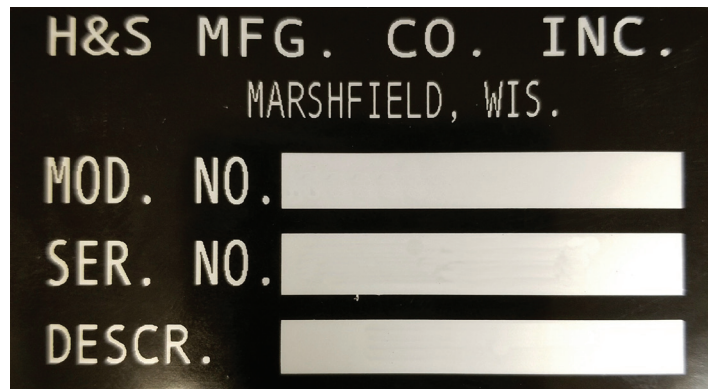
INSTRUCTIONS FOR ORDERING PARTS

All service parts should be ordered through your authorized H&S dealer. He will be able to give you faster service if you will provide them with the following:

1. Model & Serial Number - Both can be located on the center of the main frame front plate.
2. All references to left or right apply to the machine as viewed from the rear.
3. Parts should not be ordered from illustration only. Please order complete part number.
4. If your dealer has to order parts - give shipping instructions:

VIA truck - large pieces (please specify local truck lines)

VIA United Parcel Service (include full address)



PLEASE RECORD NUMBERS FOR YOUR UNIT FOR QUICK REFERENCE

ABOUT IMPROVEMENTS

H&S IS CONTINUALLY STRIVING TO IMPROVE IT'S PRODUCTS

We must therefore, reserve the right to make improvements or changes whenever it becomes practical to do so, without incurring any obligation to make changes or additions to the equipment previously sold.

FIGURE 1 MAIN FRAME & COMPONENTS

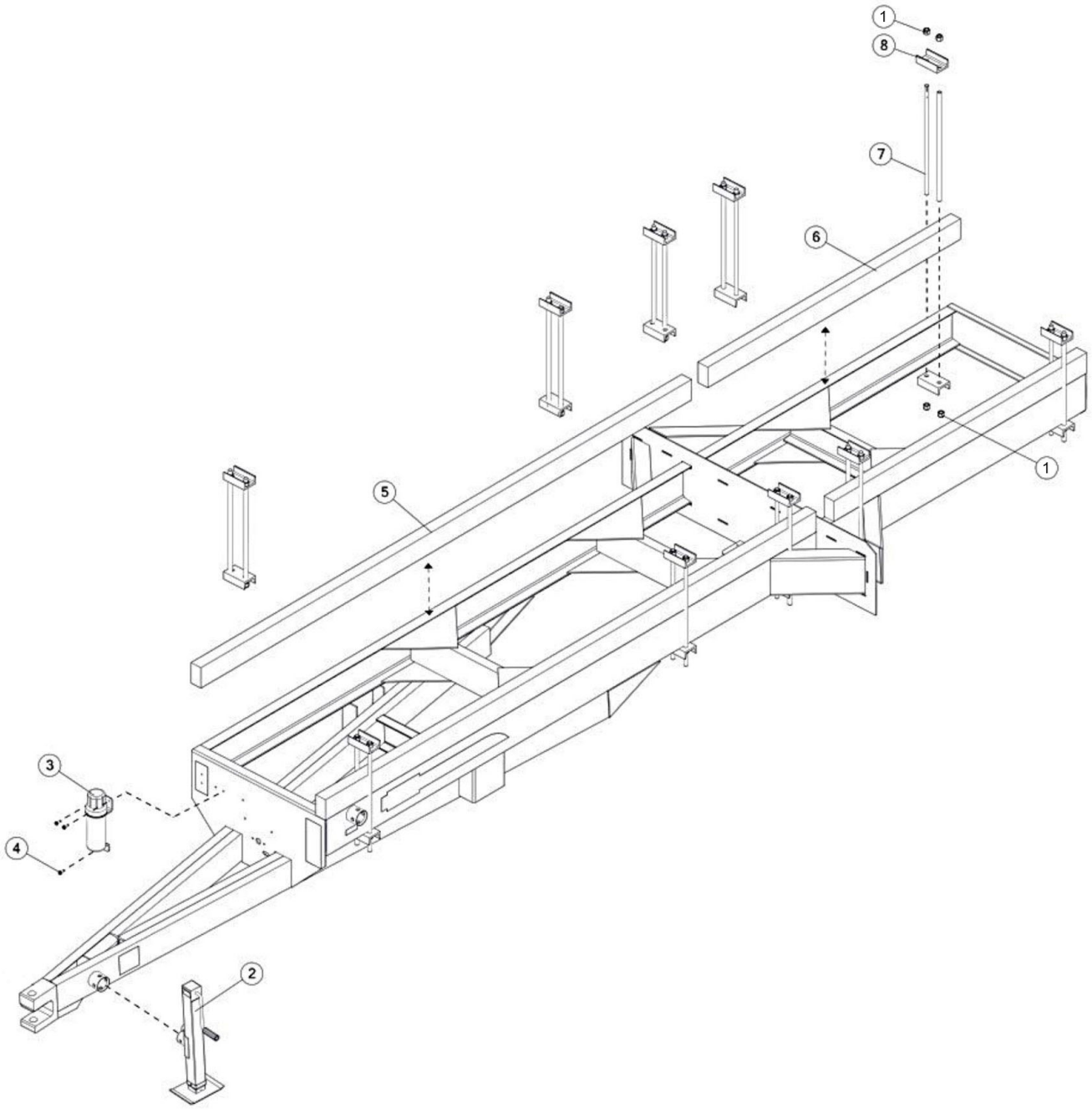


FIGURE 1
MAIN FRAME & COMPONENTS

<u>ITEM</u>	<u>QTY</u>	<u>PART#</u>	<u>DESCRIPTION</u>
1	40	YNNY24006	NUT HEX LOCKNUT, 3/4
2	1	TS306	SQUARE JACK
3	1	S522	MANUAL HOLDER
4	3	YSST10005	BOLT, SELF THREADING FLANGE, .312 X 1
5	2	SFBC2	WOOD CHASSIS SPACER, FRONT
6	2	SFBC3	WOOD CHASSIS SPACER, REAR
7	20	FBC6	ROD
8	20	70602	TIE DOWN

FIGURE 2 HUB & TANDEM ASSEMBLY

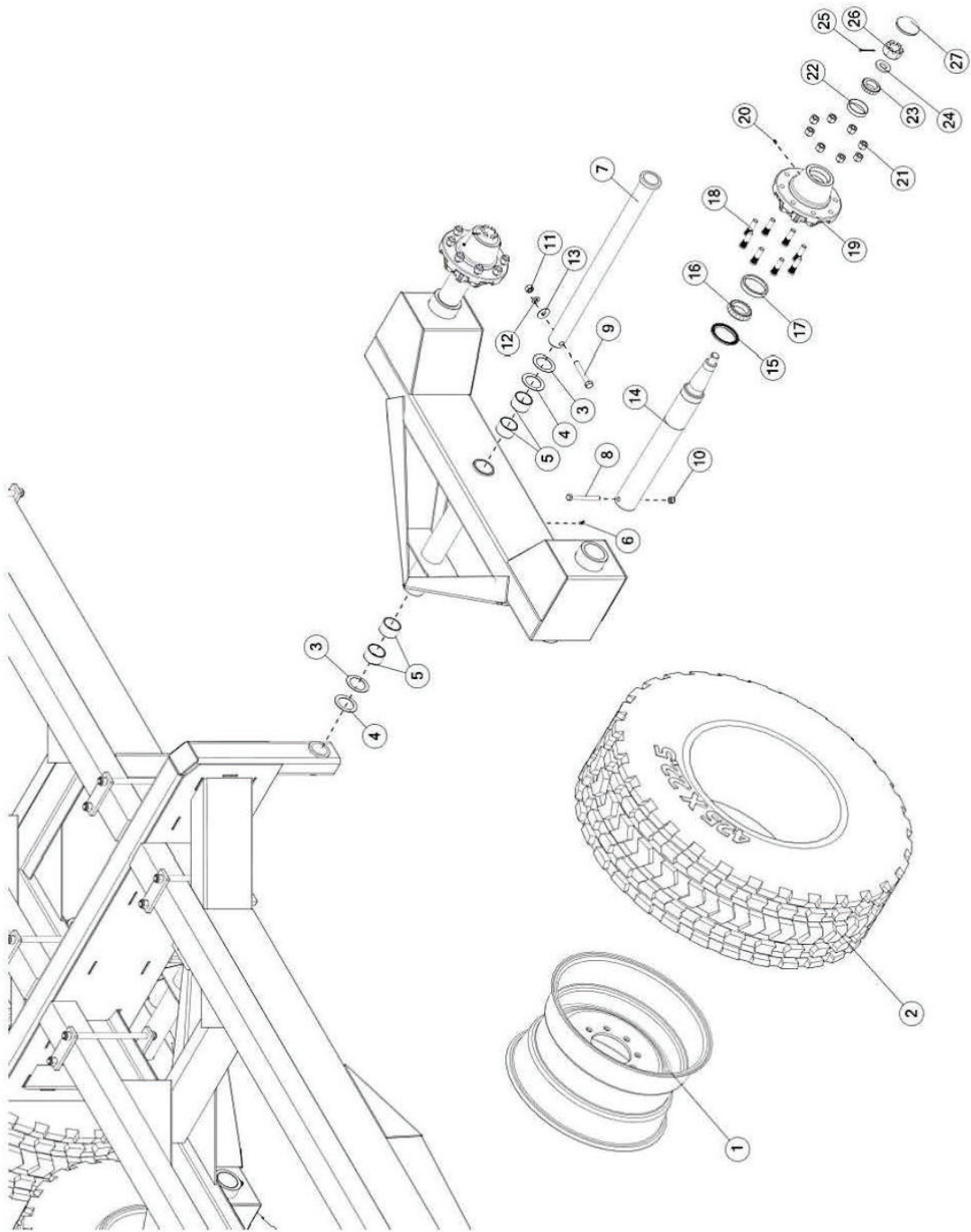


FIGURE 2

HUB & TANDEM ASSEMBLY

<u>ITEM</u>	<u>QTY</u>	<u>PART#</u>	<u>DESCRIPTION</u>
1	4	16SV89	WHEEL, 22.5 X 13.5
2	4	16SV88	TIRE 425 X 22.5
3	4	59971	WASHER THRUST
4	4	RG59	WASHER THRUST, 1/16
5	8	50N8	TANDEM PIVOT BUSHING
6	2	RG51	GREASE ZERK, 1/4, 90 DEGREE
7	2	50N153	TANDEM PIN
8	4	YBHH16150	BOLT HEX, 1/2 X 4-3/4 G5
9	2	YBHH20067	BOLT HEX, 5/8 X 4-1/4 G5
10	4	YNNY16005	NUT HEX, NYLON LOCKNUT, 1/2
11	2	YNHX20005	NUT HEX, 5/8
12	2	YWLO20005	NUT HEX, 5/8
13	2	YWFL20005	WASHER FLAT, 5/8
14	4	56752	SPINDLE
15	4	33SV42	SEAL
16	4	33SV43	INNER BEARING
17	4	33SV44	INNER RACE
18	32	YBSD20010	BOLT STUD, 5/8
19	4	33SV45	HUB CASTING
20	4	G89	STRAIGHT ZERK, 1/4
21	32	YNWL20005	WHEEL NUT, 5/8
22	4	RG169	OUTER RACE
23	4	17G150	INNER BEARING
24	4	33SV95	WASHER, SPINDLE,
25	4	YPCT07005	COTTER PIN, 7/32 X 2
26	4	YNLS24005	NUT HEX, SLOTTED, 3/4
27	4	RG71	STUD BOLT

FIGURE 3 **BRAKE LINE ASSEMBLY**

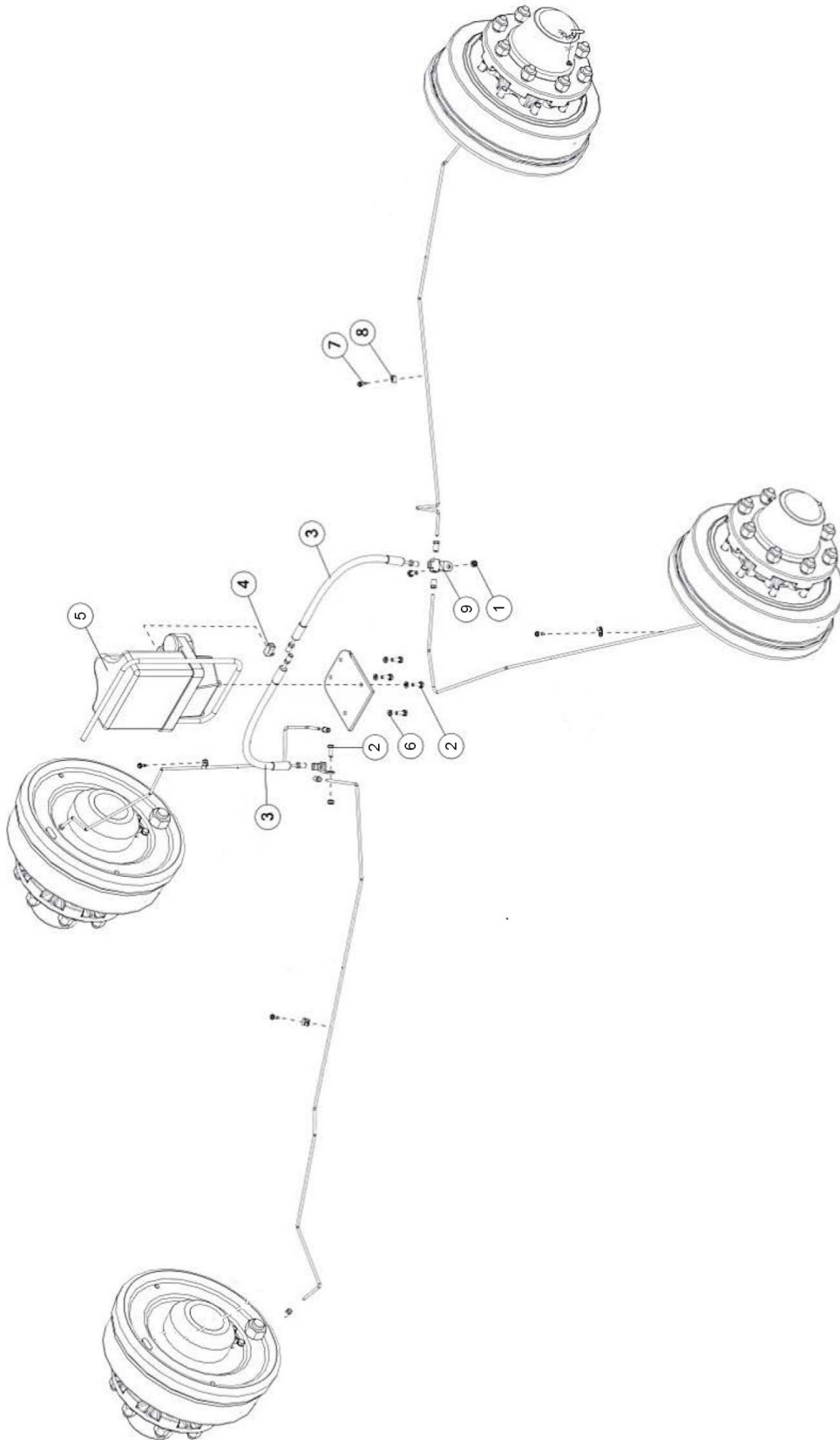


FIGURE 3
BRAKE LINE ASSEMBLY

<u>ITEM</u>	<u>QTY</u>	<u>PART#</u>	<u>DESCRIPTION</u>
1	2	YNNY08005	NUT HEX LOCKNUT, 1/4
2	6	YBHH08100	BOLT HEX, 1/4 X 3/4 G5
3	2	FBC46	HYDRAULIC BRAKE HOSE
4	1	FBC45	BRANCH TEE
5	1	FBC41	MASTER CYLINDER PUMP
6	4	YWLO08005	WASHER LOCK, 1/4
7	4	YSDR64005	SELF DRILLING SCREW, #10 X 5/8
8	4	FBC64	LOOP CLAMP
9	2	RGB26	BRAKE LINE TEE

FIGURE 4 BRAKE HARNESS ASSEMBLY

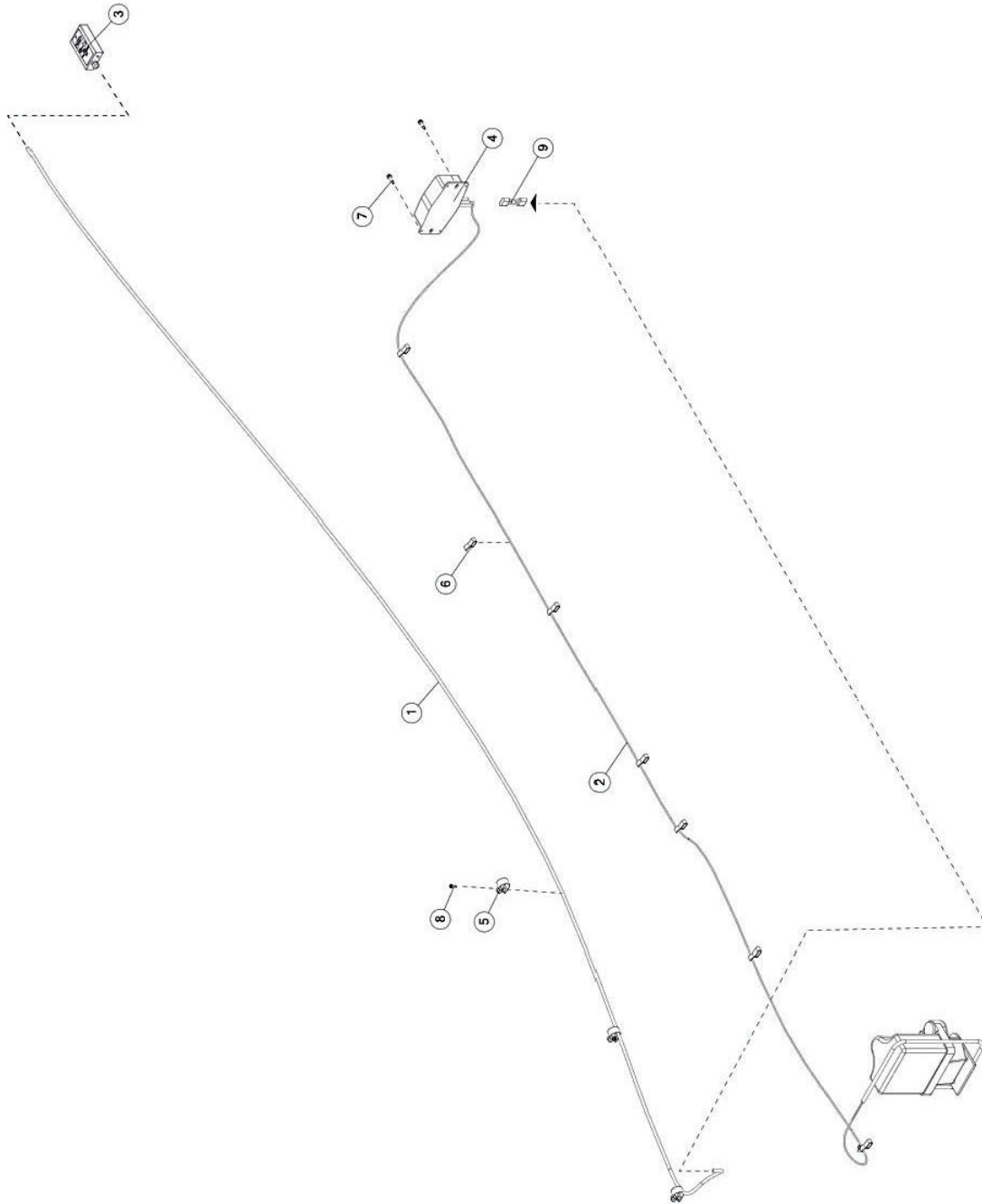


FIGURE 4
BRAKE HARNESS ASSEMBLY

<u>ITEM</u>	<u>QTY</u>	<u>PART#</u>	<u>DESCRIPTION</u>
1	1	FBC30	BRAKE HARNESS
*	1	61043	EXTENSION HARNESS, 8
2	1	FBC40	CYLINDER HARNESS, PUMP/MASTER
3	1	FBC38	BRAKE CONTROL
4	1	FBC39	BRAKE CONTROL MODULE
5	3	HGV72	CUSHION WIRE CLAMP, 3/4
6	7	56021	METAL CHASSIS CLIP
7	2	YSDR08005	SELF DRILLING SCREW, 1/4 X 1
8	3	YSDR64005	SELF DRILLING SCREW, #10 X 5/8
9	2	57601	PRESSURE REDUCER FOR BRAKE SYSTEM

***MEANS NOT SHOWN**

FIGURE 5 **BRAKE ASSEMBLY**

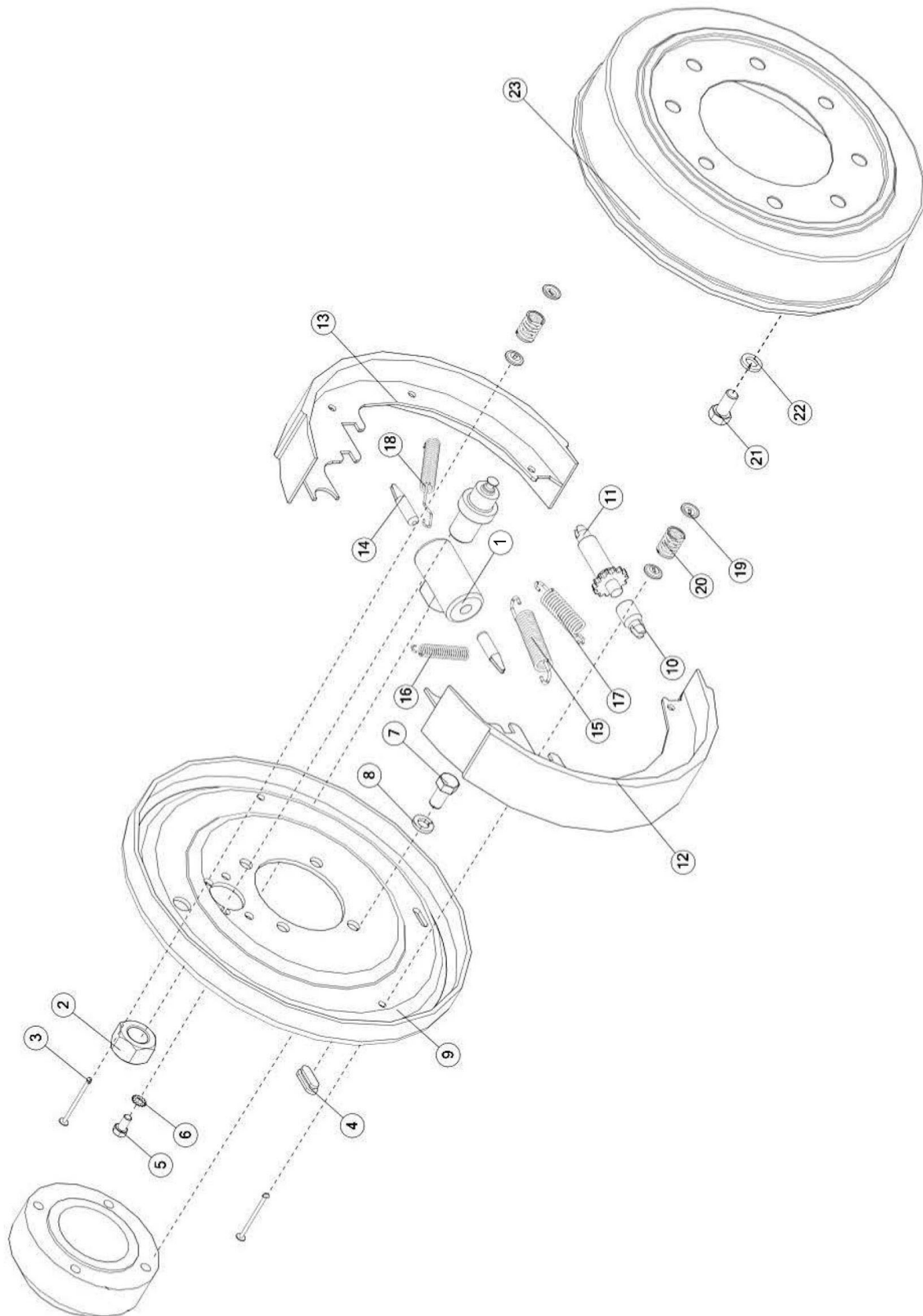


FIGURE 5 BRAKE ASSEMBLY

<u>ITEM</u>	<u>QTY</u>	<u>PART#</u>	<u>DESCRIPTION</u>
1	1	FBC52	WHEEL CYLINDER, LH
2	1	YNHX32011	NUT HEX, 1
3	2	RGB56	PIN-SHOE HOLD DOWN
4	1	FBC55	ADJUSTING HOLE COVER
5	2	YBHH10132	BOLT HEX, 5/16 X 5/8
6	2	YWSI10005	WASHER, LOCK STAR, 5/16
7	4	YBHH16010	BOLT HEX, 1/2 X 1 G5
8	4	YWLO16005	WASHER LOCK, 1/2
9	1	FBC48	BRAKE, LH
10	1	RGB61	SOCKET
11	1	RGB49	ADJUSTING SCREW
12	1	FBC50	BRAKE SHOE, REAR
13	1	RGB43	BRAKE SHOE, FRONT
14	2	FBC54	PUSH ROD
15	1	RGB50	SPRING ADJUSTING SCREW SPRING
16	1	RGB76	SHOE
17	1	RGB75	SPRING LEVER
18	1	RGB55	SPRING SHOE
19	4	RGB57	CUP SHOE HOLD DOWN
20	2	RGB59	SPRING HOLD DOWN
21	8	YBHH16011	HEX CAP SCREW, 1/2 X 1 G5
22	8	YWLO16005	WASHER LOCK, 1/2
23	1	RGB106	BRAKE DRUM
*	1	FBC53	WHEEL CYLINDER, RH

*MEANS NOT SHOWN

H&S MFG. CO.

products approved

for the

FEMA

SEAL OF QUALITY

