

H&S

PARTS BOOK

FEEDER WAGON



Revision #04

FWS2KD Starting Ser.# 121FWK2001

FWS3KD Starting Ser.#121FWK3001

FWS4KD Starting Ser. #911FWK4001

Part #75610
HSMFG1020

P.O. BOX 768, MARSHFIELD, WI 54449
(715) 387-3414 FAX (715) 384-5463
www.hsmfgco.com

CONTENTS

Instructions for Ordering Parts - About Improvements	1
Figure 1 - Main Frame & Components	2-3
Figure 2 - Wheel Hub Assembly.....	4-5
Figure 3 - Hitch Assembly	6-7
Figure 4 - Optional Light Assembly	8-9
Parts Notes	10

INSTRUCTIONS FOR ORDERING PARTS

All service parts should be ordered through your authorized H&S dealer. They will be able to give you faster service if you will provide them with the following

1. Model & Serial number is located on the left, rear main frame of your unit.
2. All reference to left or right apply to the machine as viewed from the rear.
3. Parts should not be ordered from illustration only. Please order by complete part number.
4. If your dealer has to order parts - give shipping instructions:
VIA truck - large pieces (please specify local truck lines)
VIA United Parcel Service (include full address)

H&S MFG. CO. INC.	
MARSHFIELD, WIS.	
MOD. NO.	<input type="text"/>
SER. NO.	<input type="text"/>
DESCR.	<input type="text"/>

PLEASE RECORD NUMBERS FOR YOUR UNIT FOR QUICK REFERENCE

ABOUT IMPROVEMENTS

H&S IS CONTINUALLY STRIVING TO IMPROVE IT'S PRODUCTS

We must therefore, reserve the right to make improvements or changes whenever it becomes practical to do so without incurring any obligation to make changes or additions to the equipment previously sold.

FIGURE 1
MAIN FRAME & COMPONENTS

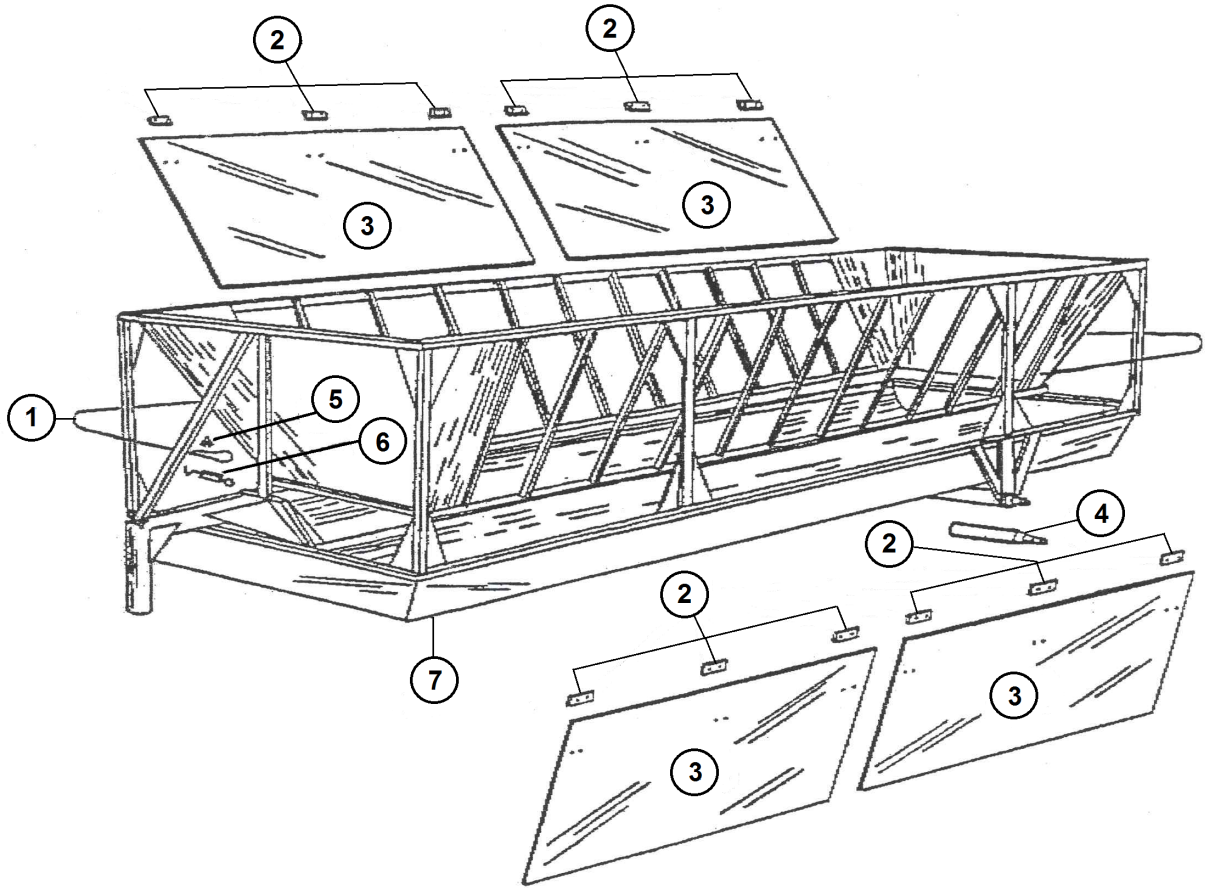


FIGURE 1

MAIN FRAME & COMPONENTS

<u>ITEM</u>	<u>PART #</u>	<u>DESCRIPTION</u>
1	GF25	CABLE - 16' FEEDER
2	GF32	ATTACHMENT TABS
3	GF33	INSERT PANEL
4	76051	SPINDLE, 2.50, 7.19, 3500 LBS
5	GF29	CABLE CLAMPS
6	GF28	TURNBUCKLE
7	GF39	COMPLETE FRAME 16 FOOT
*	GF40	COMPLETE FRAME 20 FOOT
*	GF41	COMPLETE FRAME 24 FOOT
*	YBHH16010	BOLT HEX, 1/2 X 1 G5
*	YBCR08020	BOLT CARR, 1/4 X 2 G5
*	YNRL16005	NUT HEX, 1/2 LKRS
*	YNHX08005	NUT HEX, 1/4
*	YWFL16010	WASHER FLAT, 1/2 SAE
*	YWLO08005	WASHER LOCK, 1/4

* MEANS NOT SHOWN

FIGURE 2 **WHEEL HUB ASSEMBLY**

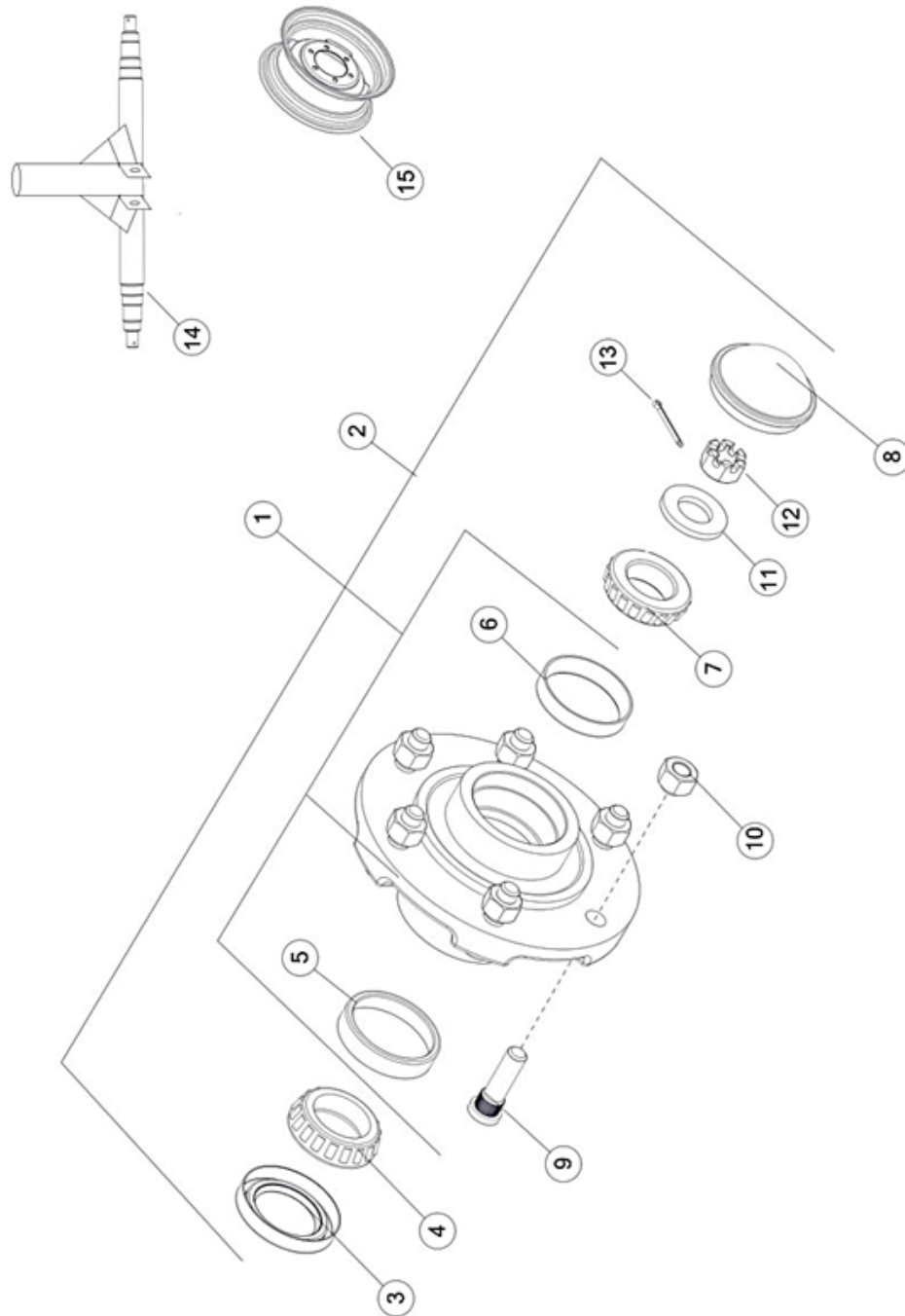


FIGURE 2

WHEEL HUB ASSEMBLY

<u>ITEM</u>	<u>PART #</u>	<u>DESCRIPTION</u>
1	RG101	ASSM, HUB, 888, WITH RACES AND STUDS
2	RG254	HUB ASSEMBLY
3	12N17	GREASE SEAL, 2.57OD X 1.61ID X 0.43
4	12N18	BRG, 2.28 X 1.50 X 0.67, TAPER
5	12N19	HUB 888, INNER RACE, 2.48OD
6	17G146	OUTER RACE, 2.33 OD, HUB 888
7	17G145	TAPERED ROLLER BEARING, 1.249 BORE
8	17G144	HUB CAP
9	YBSD16005	BOLT, STUD, 1/2-20UNF X 1-7/8 X 3/8, G5, ZC
10	YNWL16005	NUT, WHEEL, 1/2-20, NA, G5, ZC
11	HD200	ROAD WHEEL SPINDLE WASHER
12	YNSL28005	NUT, SLOT, 7/8-14, NA, G2, NF
13	YPCT05010	COTTER PIN 5/32" X 1-1/2"
14	GF3	FRONT AXLE ASSY LESS TONGUE/HUBS
15	GF30	15 X 6 6 BOLT RIM

FIGURE 3

HITCH ASSEMBLY

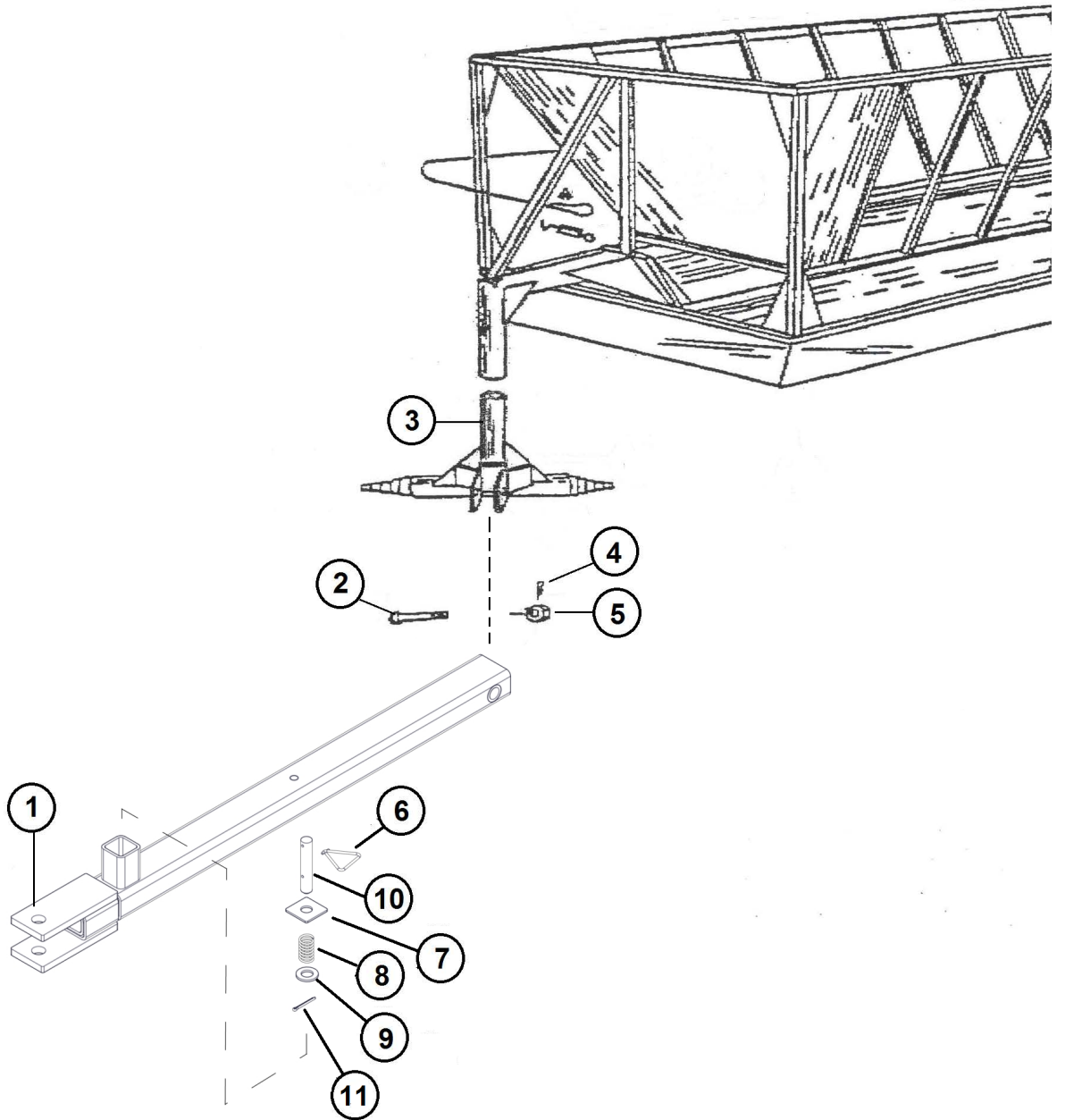


FIGURE 3
HITCH ASSEMBLY

<u>ITEM</u>	<u>PART #</u>	<u>DESCRIPTION</u>
1	56521	E-Z HITCH TONGUE
2	32140	FORMED BOLT 7/8-9 X 4-1/2" W/GREASE ZERK
3	GF3	FRONT AXLE ASSY LESS TONGUE/HUBS
4	YPCT05025	COTTER PIN, 5/32 X 2
5	BT3	NUT 7/8" SLOTTED
6	BT5	PIN PULL RING
7	77475	PLATE, 2.00 X 2.00 X 0.13
8	GF6	SPRING
9	YWFL24020	WASHER, FLAT, SAE 3/4, ZINC
10	77476	ROUND SHAFT, 0.75 X 4.13
11	YPCT05010	COTTER PIN 5/32" X 1-1/2"

FIGURE 4

OPTIONAL LIGHT ASSEMBLY

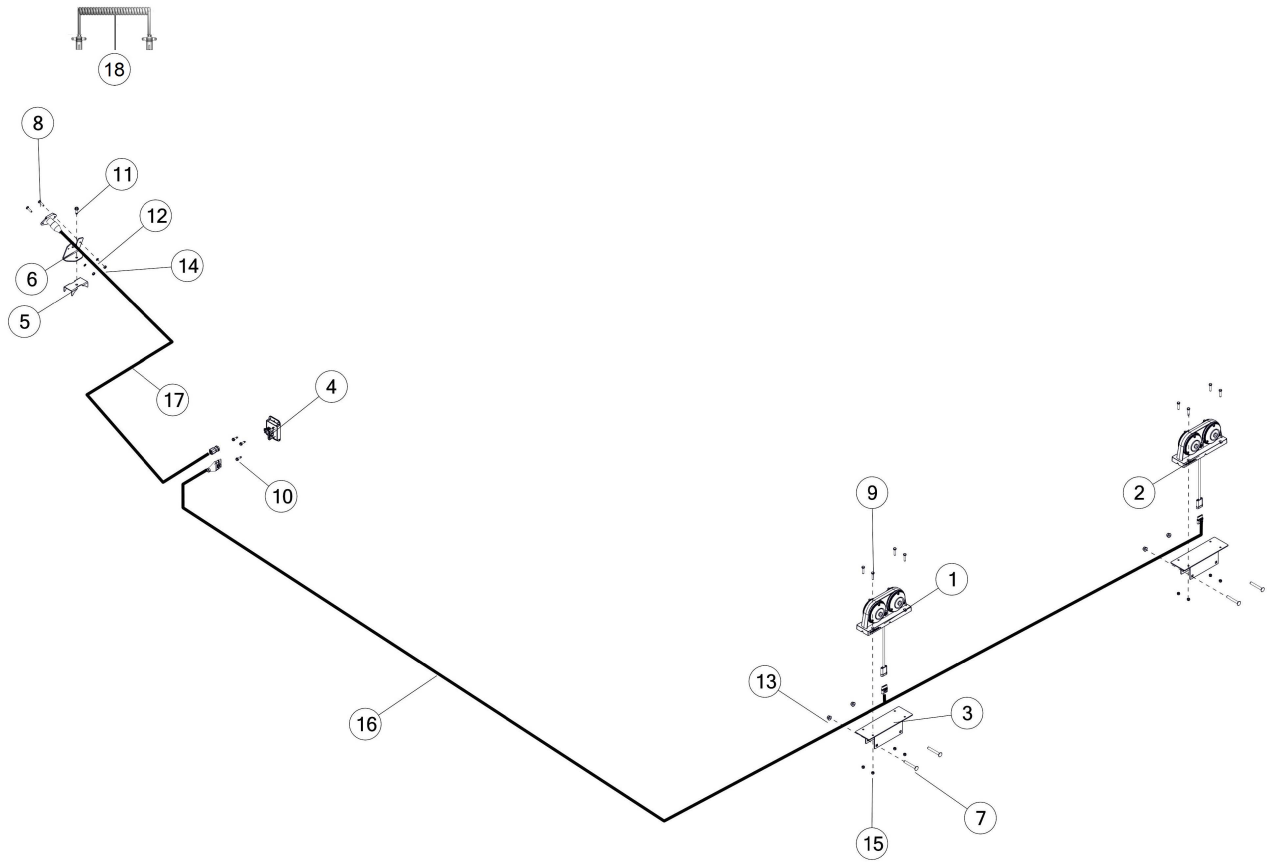


FIGURE 4

OPTIONAL LIGHT ASSEMBLY

<u>ITEM</u>	<u>QTY</u>	<u>PART #</u>	<u>DESCRIPTION</u>
1	1	77923	TAIL LIGHT ASSY, LEFT
2	1	77924	TAIL LIGHT ASSY, RIGHT
3	2	78038	WLDMT, LIGHT BRACKET
4	1	69908	MODULE, CONTROL, BLINKER
5	1	78014	BRACKET
6	1	BFR659	LIGHT BRACKET
7	4	YBCR12055	BOLT CARR, 3/8-16 X 3.G5
8	2	YBHH08005	BOLT, 1/4 X 1 G2
9	8	YBHH08030	BOLT, 1/4 X 1-1/4 G2
10	3	YSDR08005	SELF DRILLING SCREW, HEX WASHER HEAD, 1/4 X 1
11	1	YSST10005	SELF THREADING FLANGE BOLT
12	2	YWLO08005	WASHER LOCK, 1/4
13	4	YNFG12005	NUT FLG, 3/8 LKTL
14	2	YNHX08005	NUT HEX, 1/4
15	8	YNNY08005	NUT HEX, 1/4 LKNY G2
16	1	78040	LIGHT HARNESS
17	1	78015	LIGHT HARNESS
18	1	TLPC	TRANSPORT LIGHT CORD

