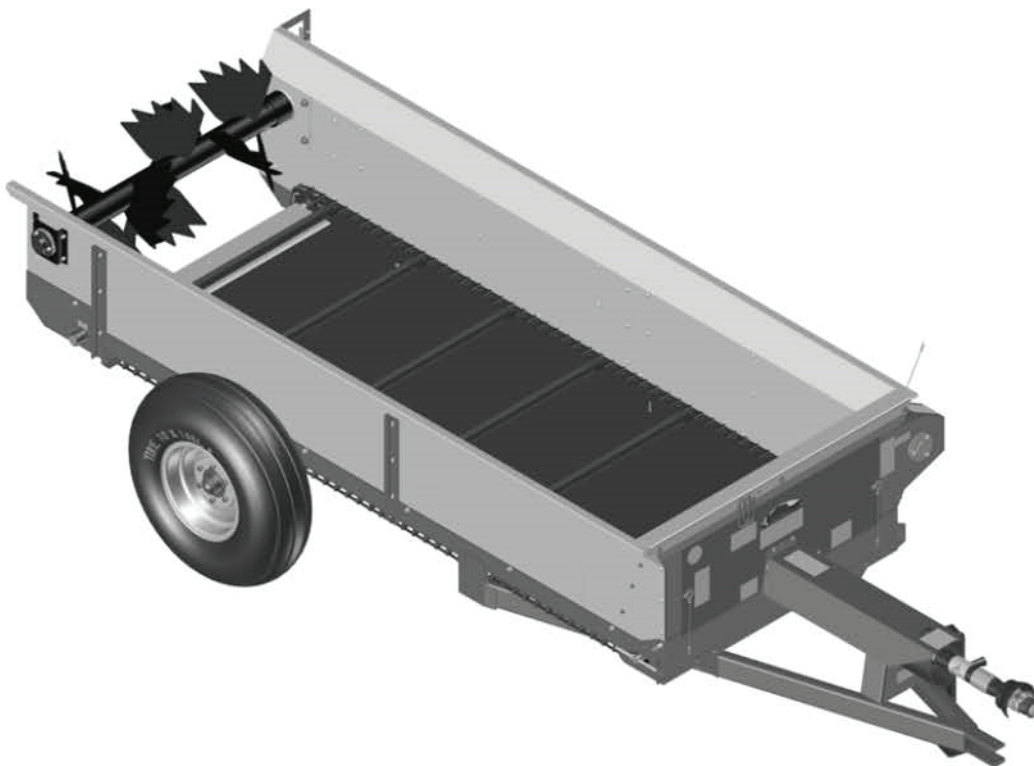


# H&S

## PARTS BOOK

# 2112 STANDARD DUTY SPREADER



Revision #06 Starting Ser. #121PD12001

HSMFG012021

PART #71214

Manufactured By  
H&S MANUFACTURING CO., INC.  
2608 S. HUME AVE. MARSHFIELD, WI 54449  
(715) 387-3414 FAX (715) 384-8736

# CONTENTS

Instructions for Ordering Parts - About Improvements . . . . .	1
Figure 1 - Main Frame & Pole Assembly . . . . .	2-3
Figure 2 - Poly Shield & Components . . . . .	4-5
Figure 3 - Front Shaft Assembly . . . . .	6-7
Figure 4 - Front Shields & Components . . . . .	8-9
Figure 5 - Shifting Components . . . . .	10-11
Figure 6 - Floor & Hardware. . . . .	12-13
Figure 7 - Apron Chain & Front Drive Shaft Assembly . . . . .	14-15
Figure 8 - Apron Chain & Rear Drive Shaft Assembly . . . . .	16-17
Figure 9 - Side Panel Assembly . . . . .	18-19
Figure 10 - Side Shaft Assembly. . . . .	20-21
Figure 11 - Shields & Guards. . . . .	22-23
Figure 12 - Beater Assembly. . . . .	24-25
Figure 13 - Gearbox. . . . .	26-29
Figure 14 - Hub Assembly. . . . .	30-31
Figure 15 - PTO Weasler . . . . .	32-33
Figure 16 - PTO Benzi . . . . .	34-35
Figure 17 - Optional Pan. . . . .	36-37
Parts Notes. . . . .	38

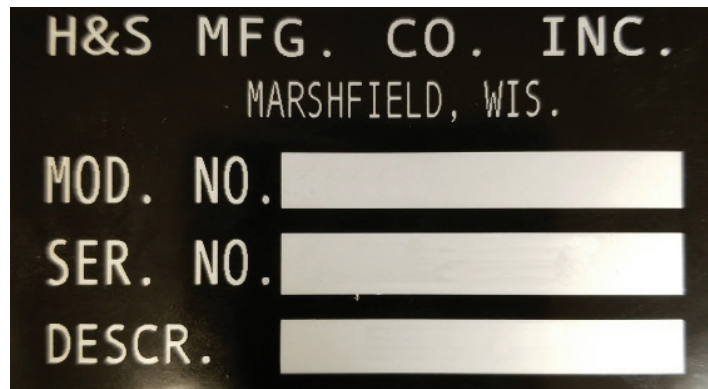
# **INSTRUCTIONS FOR ORDERING PARTS**

All service parts should be ordered through your authorized H&S dealer. He will be able to give you faster service if you will provide them with the following:

1. Model & Serial Number - Both can be located on the front pto bearing support mount.
2. All references to left or right apply to the machine as viewed from the rear.
3. Parts should not be ordered from illustration only. Please order complete part number.
4. If your dealer has to order parts - give shipping instructions:

VIA truck - large pieces (please specify local truck lines)

VIA United Parcel Service (include full address)



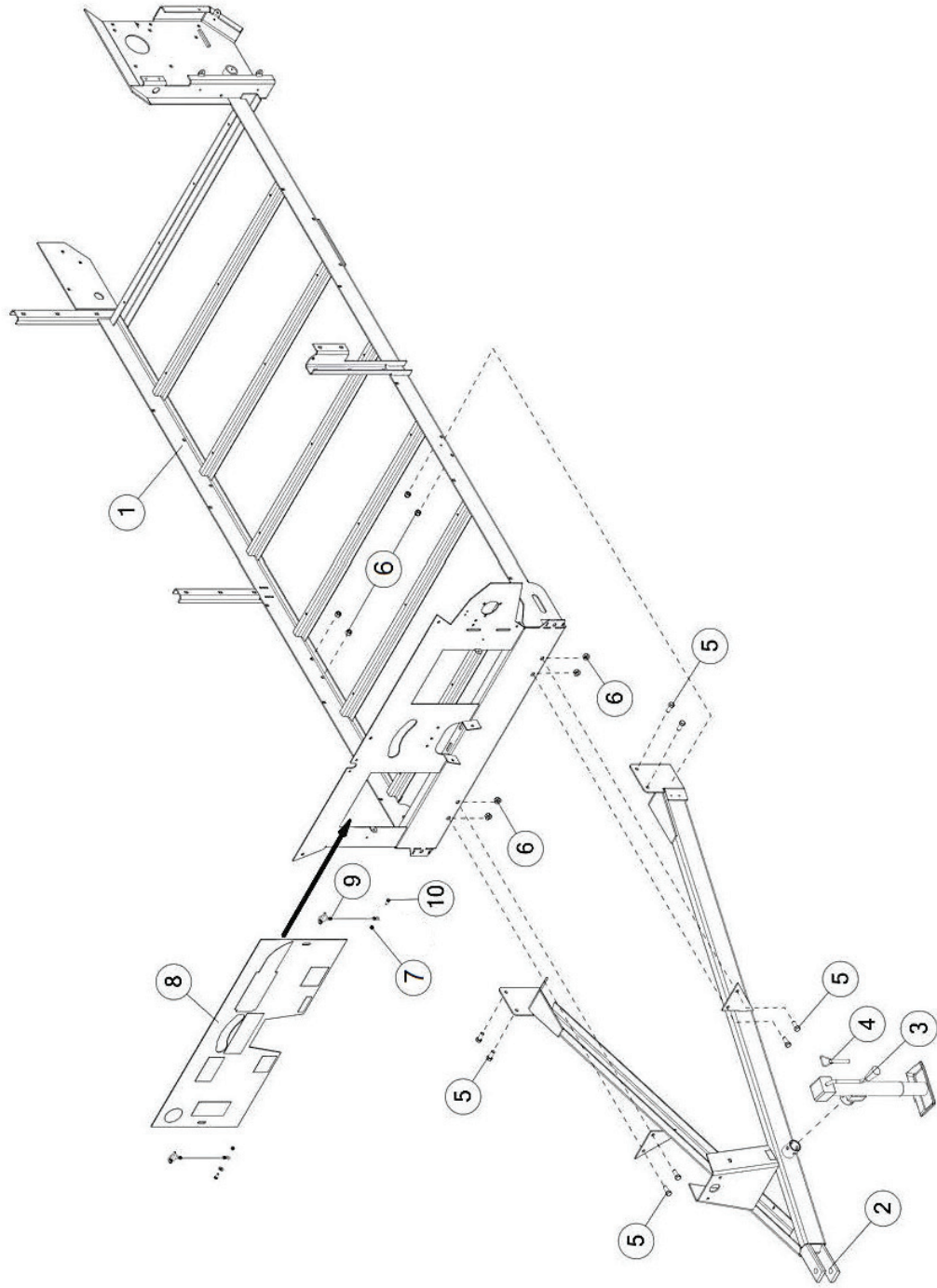
PLEASE RECORD NUMBERS FOR YOUR UNIT FOR QUICK REFERENCE

## **ABOUT IMPROVEMENTS**

H&S IS CONTINUALLY STRIVING TO IMPROVE IT'S PRODUCTS

We must therefore, reserve the right to make improvements or changes whenever it becomes practical to do so, without incurring any obligation to make changes or additions to the equipment previously sold.

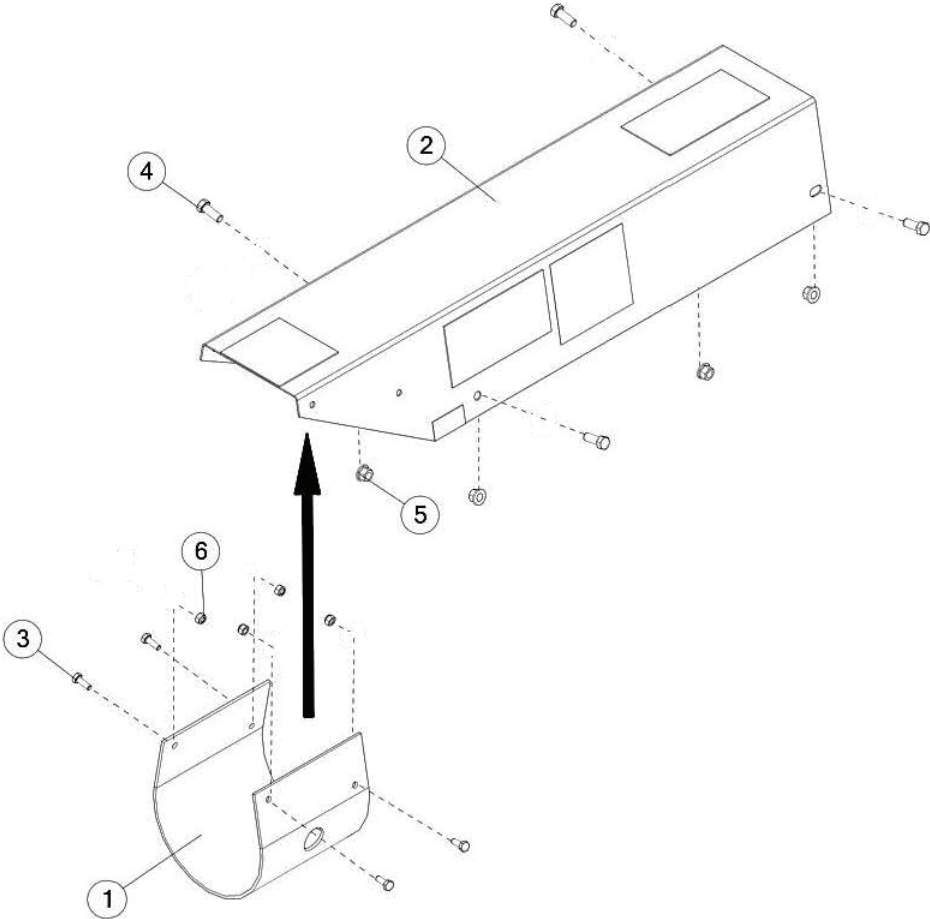
**FIGURE 1**  
**MAIN FRAME & POLE ASSEMBLY**



**FIGURE 1**  
**MAIN FRAME & POLE ASSEMBLY**

<b><u>ITEM</u></b>	<b><u>QTY</u></b>	<b><u>PART#</u></b>	<b><u>DESCRIPTION</u></b>
1	1	71996	MAIN FRAME W/DECALS
2	1	70994	POLE W/DECALS
3	1	12N116	SIDE WIND JACK
4	1	12N117	JACK PIN
5	8	YBFB16125	BOLT FLANGE, 1/2 X 1-1/4 G5
6	8	YNFG16003	NUT FLANGE, 1/2
7	2	YNFG08010	NUT FLANGE, 1/4
8	1	72004	POLY PANEL W/DECALS FRONT
9	2	S122	LINCH PIN W/LANYARD
10	2	YBFB08075	BOLT FLG, 1/4 X 3/4 G5

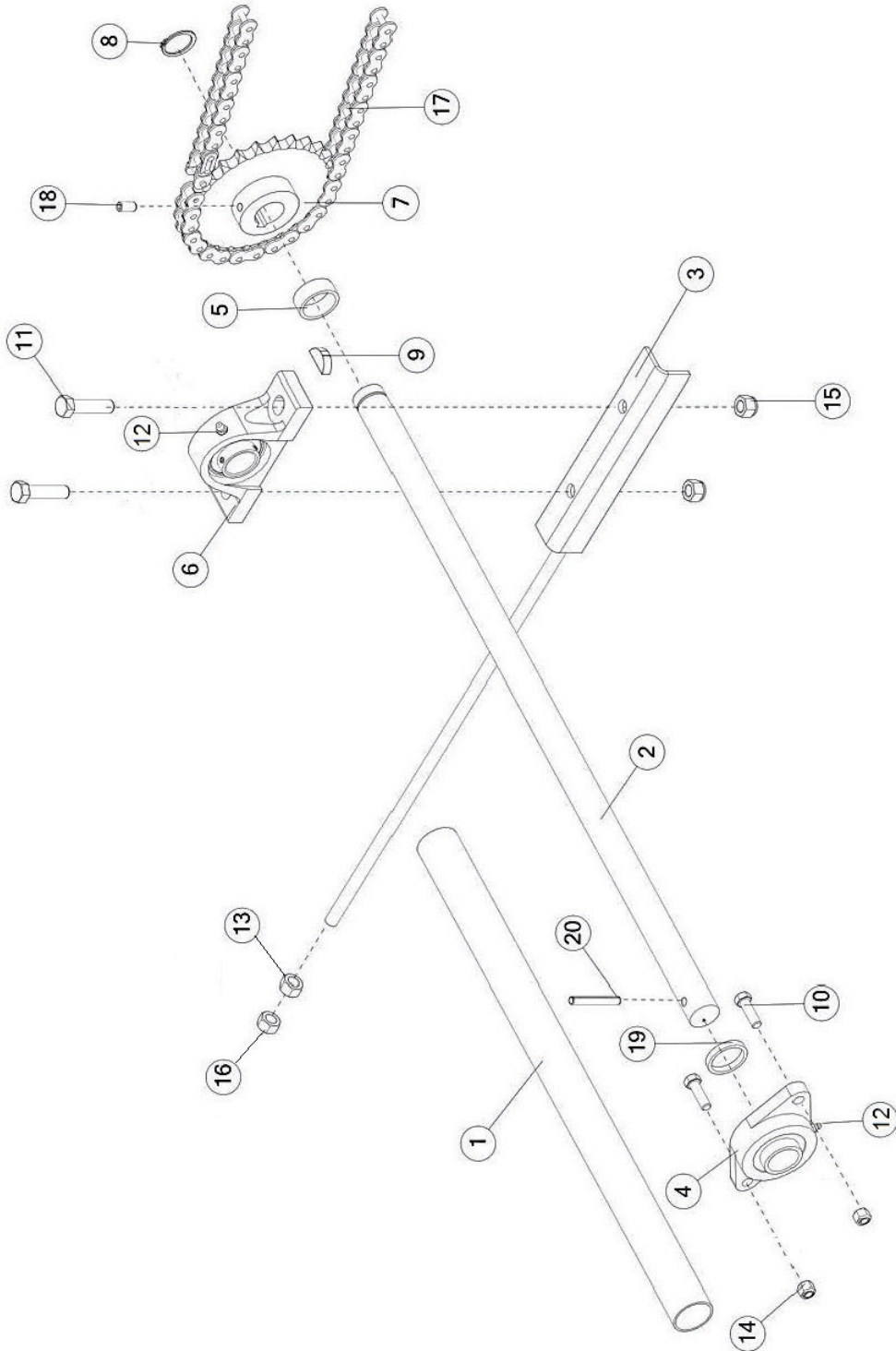
**FIGURE 2**  
**POLY SHIELD & COMPONENTS**



**FIGURE 2**  
**POLY SHIELD & COMPONENTS**

<u>ITEM</u>	<u>QTY</u>	<u>PART#</u>	<u>DESCRIPTION</u>
1	1	F54	PTO RUBBER
2	1	70989	PTO SHIELD WITH DECALS
3	4	YBFB08075	BOLT FLANGE, 1/4 X 3/4 G5
4	4	YBFB12003	BOLT FLANGE, 3/8 X 1
5	4	YNFG12006	NUT FLANGE, 3/8
6	4	YNFG08010	NUT FLANGE, 1/4

# **FIGURE 3** **FRONT SHAFT ASSEMBLY**



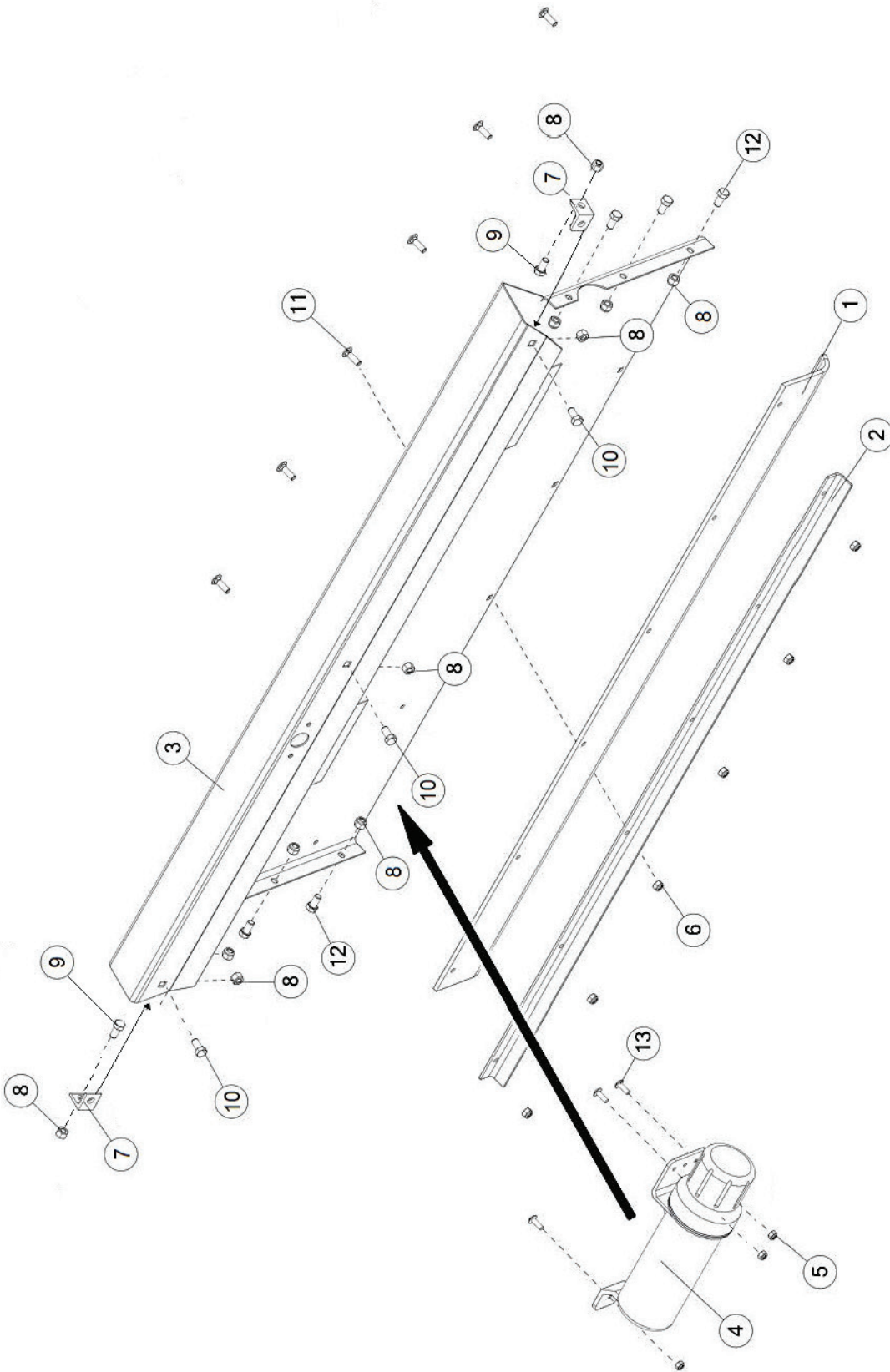


## FIGURE 3

### FRONT SHAFT ASSEMBLY

<u>ITEM</u>	<u>QTY</u>	<u>PART#</u>	<u>DESCRIPTION</u>
1	1	68897	PVC TUBE
2	1	68787	SHAFT
3	1	68894	TIGHTENER ROD
4	1	12N29	FLANGE BEARING
5	1	12N30	FRONT SHAFT SPACER
6	1	17G7	PILLOW BLOCK BEARING
7	1	23N70	SPROCKET
8	1	F73	SNAP RING
9	1	5B9	WOODRUFF KEY
10	2	YBFB12125	BOLT FLANGE, 3/8 X 1-1/4 G5
11	2	YBFB16200	BOLT FLANGE, 1/2 X 2 G5
12	2	G89	STRAIGHT ZERK, 1/4
13	1	YNHX16005	NUT HEX, 1/2
14	2	YNFG12006	NUT FLG, 3/8
15	2	YNFG16003	NUT FLG, 1/2
16	1	YNJM16005	NUT, JAM, 1/2 A
17	1	70044	ROLLER CHAIN, 60
18	1	YSKP12035	SETSCREW, 3/8 X 3/4
19	1	71278	TUBE
20	1	YPEx10020	EXPANSION PIN, 5/16 X 2-1/4

# FIGURE 4 FRONT SHIELDS & COMPONENTS

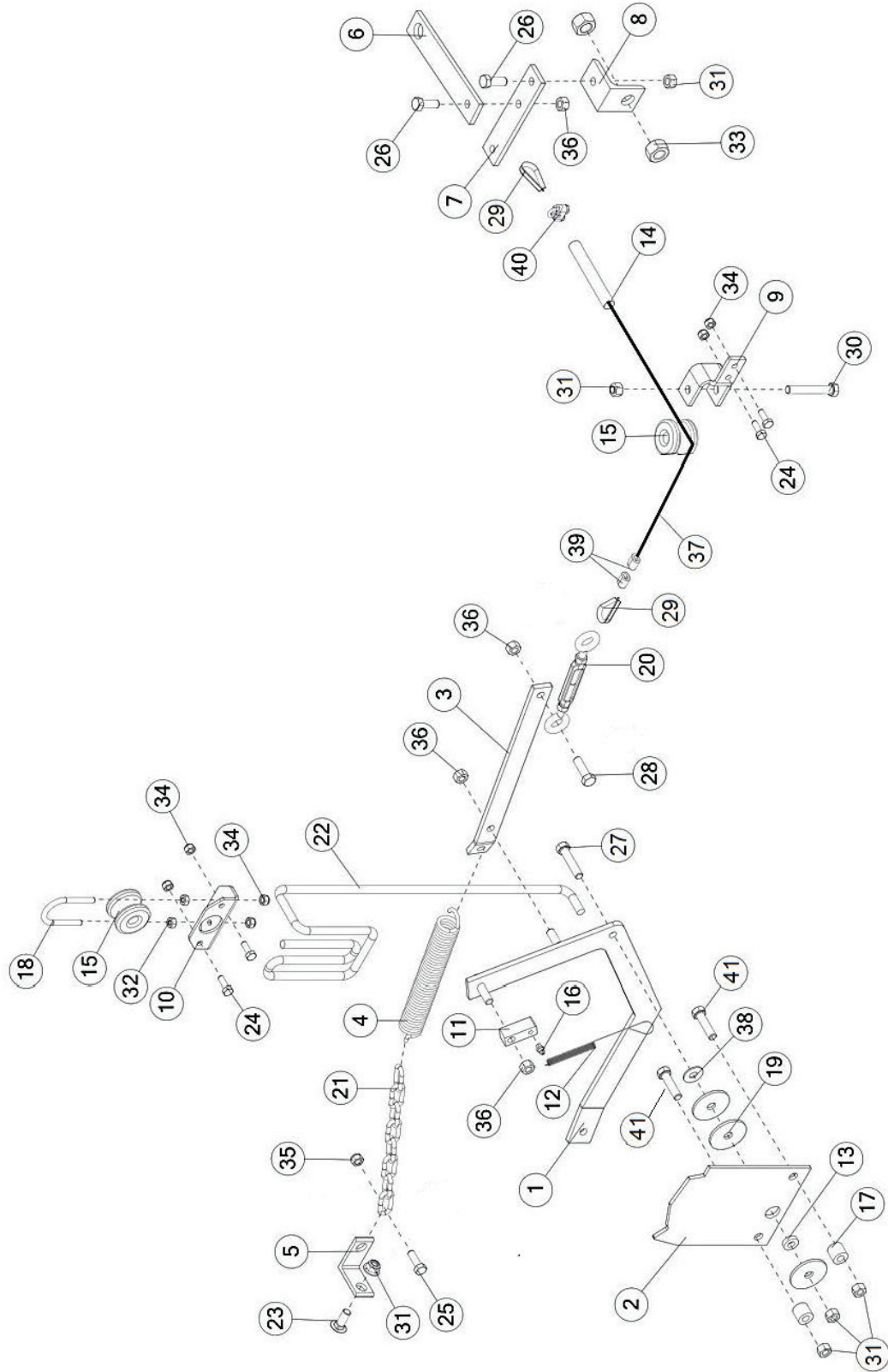


## FIGURE 4

### FRONT SHIELDS & COMPONENTS

<u>ITEM</u>	<u>QTY</u>	<u>PART#</u>	<u>DESCRIPTION</u>
1	1	12N69	RUBBER
2	1	12N97	ANGLE
3	1	72003	PANEL W/DECALS FRONT
4	1	S522	MANUAL HOLDER
5	3	YNFG08010	NUT FLANGE, 1/4
6	6	YNFG10005	NUT FLANGE, 5/16
7	2	WM135	TIGHTENER ANGLE
8	11	YNFG12006	NUT FLANGE, 3/8
9	2	YBHH12010	BOLT HEX 3/8 X 1
10	3	YBFB12003	BOLT FLANGE, 3/8 X 1
11	6	YBCR10010	BOLT CARRIAGE, 5/16 X 1
12	6	YBFB12075	BOLT FLANGE, 3/8 X 3/4 G5
13	3	YBFB08075	BOLT FLANGE, 1/4 X 3/4 G5

# FIGURE 5 SHIFTING COMPONENTS

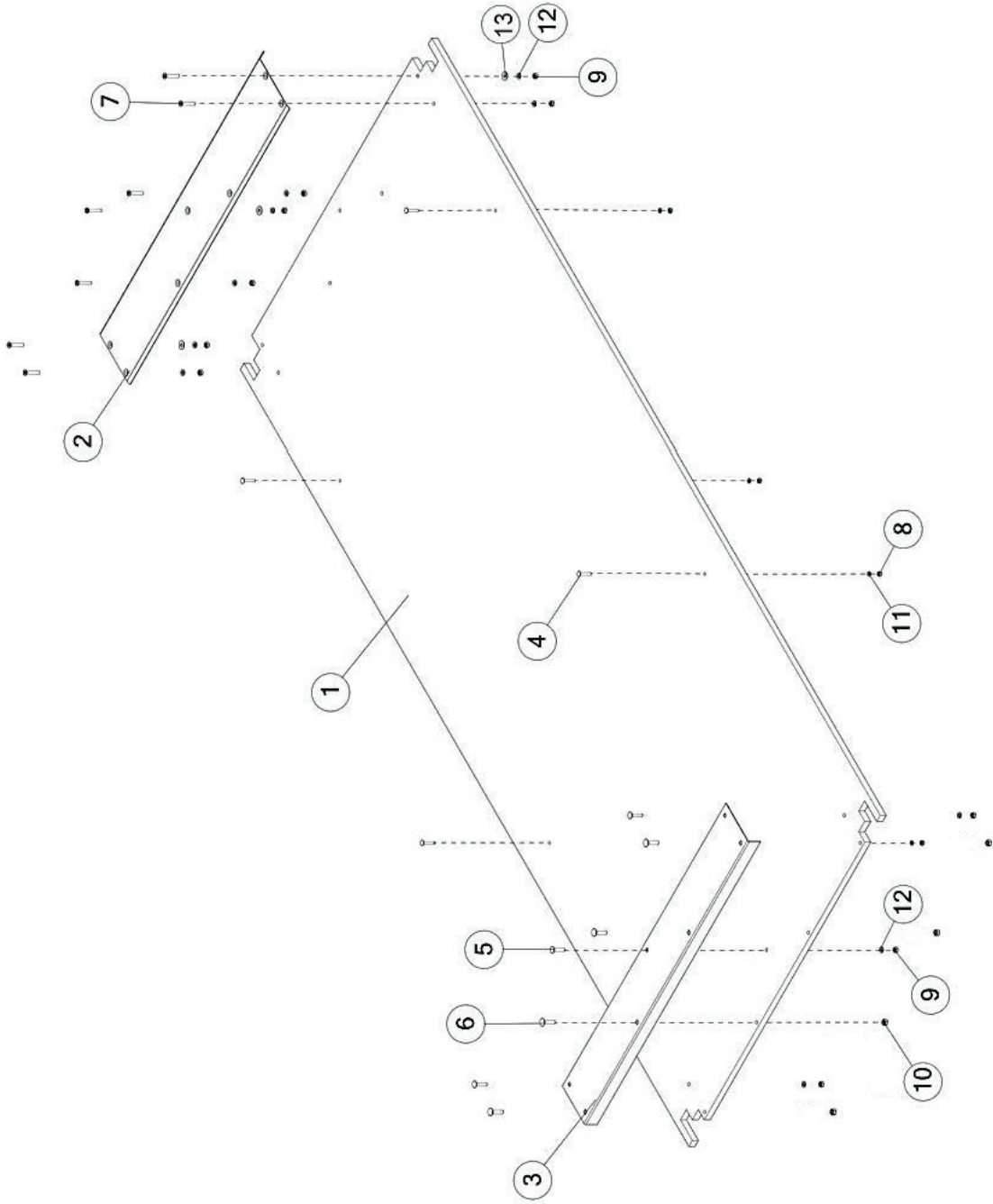


## FIGURE 5

### SHIFTING COMPONENTS

<u>ITEM</u>	<u>QTY</u>	<u>PART#</u>	<u>DESCRIPTION</u>
1	1	70861	SHIFTER LEVER
2	1	23N283	STOP BRACKET
3	1	23N281	PIVOT LINK BRACKET
4	1	10R14	SPRING
5	1	17G177	SPRING MOUNT BRAKET
6	1	23N289	SHIFTER ROD LEVER FULCRUM
7	1	23N290	SHIFTER ROD BRACKET
8	1	23N291	SHIFTER ROD BRACKET
9	1	71566	CABLE GUIDE BRACKET
10	1	71972	FRONT CABLE GUIDE BRACKET
11	1	23N282	SHIFTERDOG BRACKET, 5/8
12	1	23N284	SHIFTER DOG SPRING
13	1	23N297	TUBE,
14	1	72120	HEAT SHRINK
15	2	F33	CABLE GUIDE
16	1	G89	STRAIGHT ZERK, 1/4
17	2	ST81	EXTENSION SPACER, 11/16
18	1	YBPU08005	PIPE U BOLT, 1/4 X 3/4
19	3	YWCU12005	WASHER FLAT, CUSTOM
20	1	F84	TURNBUCKLE
21	1	17G178	CHAIN
22	1	23N183	ROPE, (0.38 X 126)
23	1	YBCR12010	BOLT CARRIAGE, 3/8 X 1 G5
24	4	YBFB08075	BOLT FLANGE, 1/4 X 3/4 G5
25	1	YBFB10001	BOLT FLANGE, 5/16 X 1
26	2	YBFB12003	BOLT FLANGE, 3/8 X 1 G5
27	1	YBHH12027	BOLT HEX, 3/8 X 1-1/2 G5
28	1	YBFB12125	BOLT FLANGE, 3/8 X 1-1/4 G5
29	2	ES14	THIMBLE
30	1	YBFB12250	BOLT FLANGE, 3/8 X 2-1/2 G5
31	9	YNFG12006	NUT FLANGE, 3/8
32	2	YNHX08005	NUT HEX, 1/4
33	2	YNHX20005	NUT HEX, 5/8
34	6	YNFG08010	NUT FLANGE, 1/4
35	1	YNFG10005	NUT FLANGE, 5/16
36	1	YNRL12005	NUT HEX, 3/8
37	1	70619	SHIFTER CABLE
38	1	YWFL12010	WASHER FLAT, 3/8 G8
39	2	71279	SLEEVE
40	1	BFR220	CABLE CLAMP, 3/16
41	2	YBHH12060	BOLT HEX, 3/8 X 1-3/4 G5

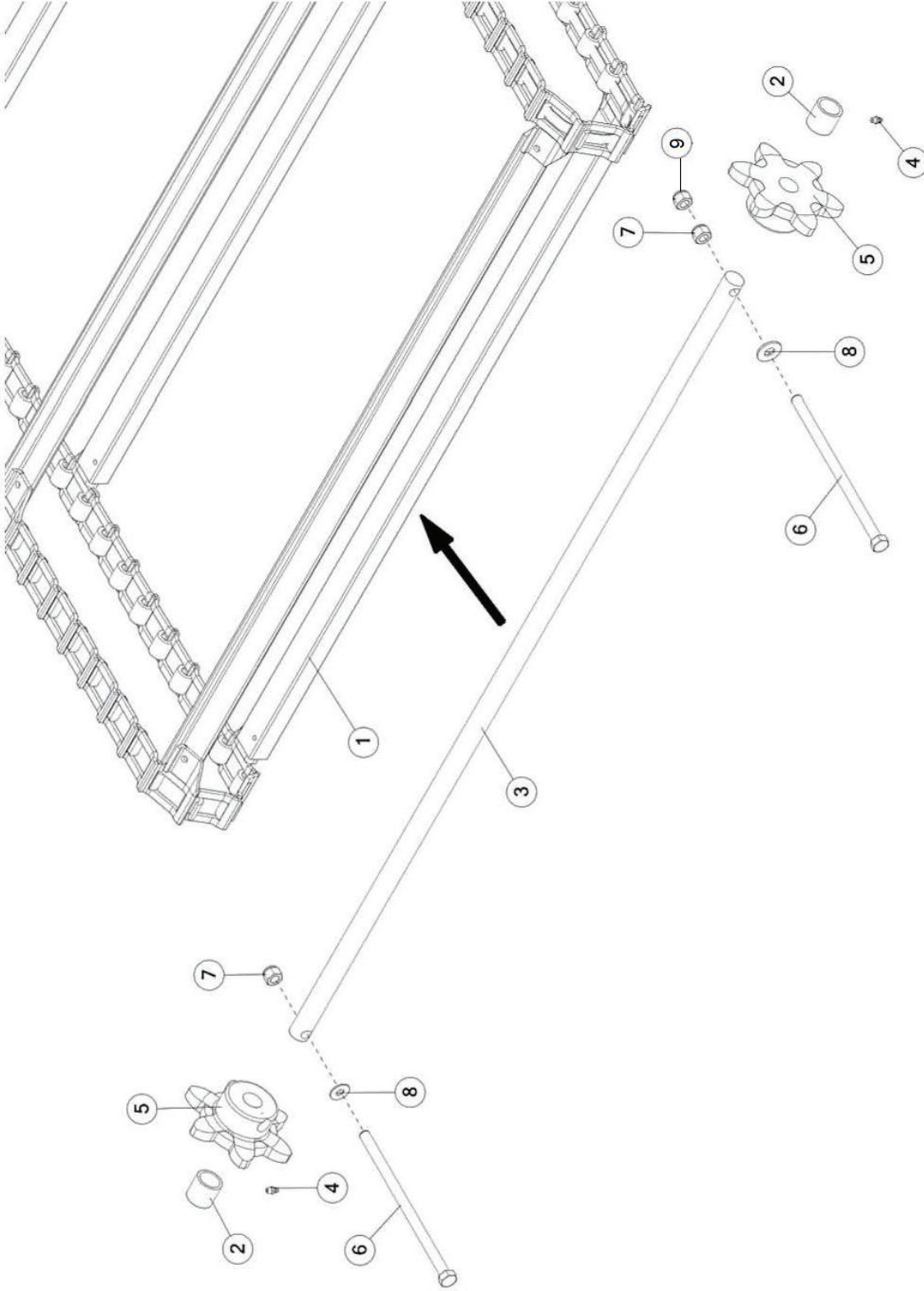
# FIGURE 6 FLOOR & HARDWARE



**FIGURE 6**  
**FLOOR & HARDWARE**

<b><u>ITEM</u></b>	<b><u>QTY</u></b>	<b><u>PART#</u></b>	<b><u>DESCRIPTION</u></b>
1	1	12N93	POLY PLYWOOD, FLOOR
2	1	72143	REAR FLOOR BRACE
3	1	12N94	FRONT FLOOR BRACE
4	4	YBCR08011	BOLT CARRIAGE, 1/4 X 1-1/2 G5
5	3	YBCR10015	BOLT CARRIAGE, 5/16 X 1-1/2 G5
6	4	YBCR12015	BOLT CARRIAGE, 3/8 X 1-1/2 G5
7	7	YSFM10010	FLAT HEAD SCREW, 5/16 X 1-3/4
8	4	YNHX08007	NUT HEX, 1/4 G5
9	10	YNHX10010	NUT HEX, 5/16 G5
10	4	YNFG12006	NUT FLG, 3/8
11	4	YWLO08005	WASHER LOCK, 1/4
12	10	YWLO10005	WASHER LOCK, 5/16
13	3	YWFL10005	WASHER FLAT, 5/16

**FIGURE 7**  
**APRON CHAIN & FRONT DRIVE SHAFT ASSEMBLY**





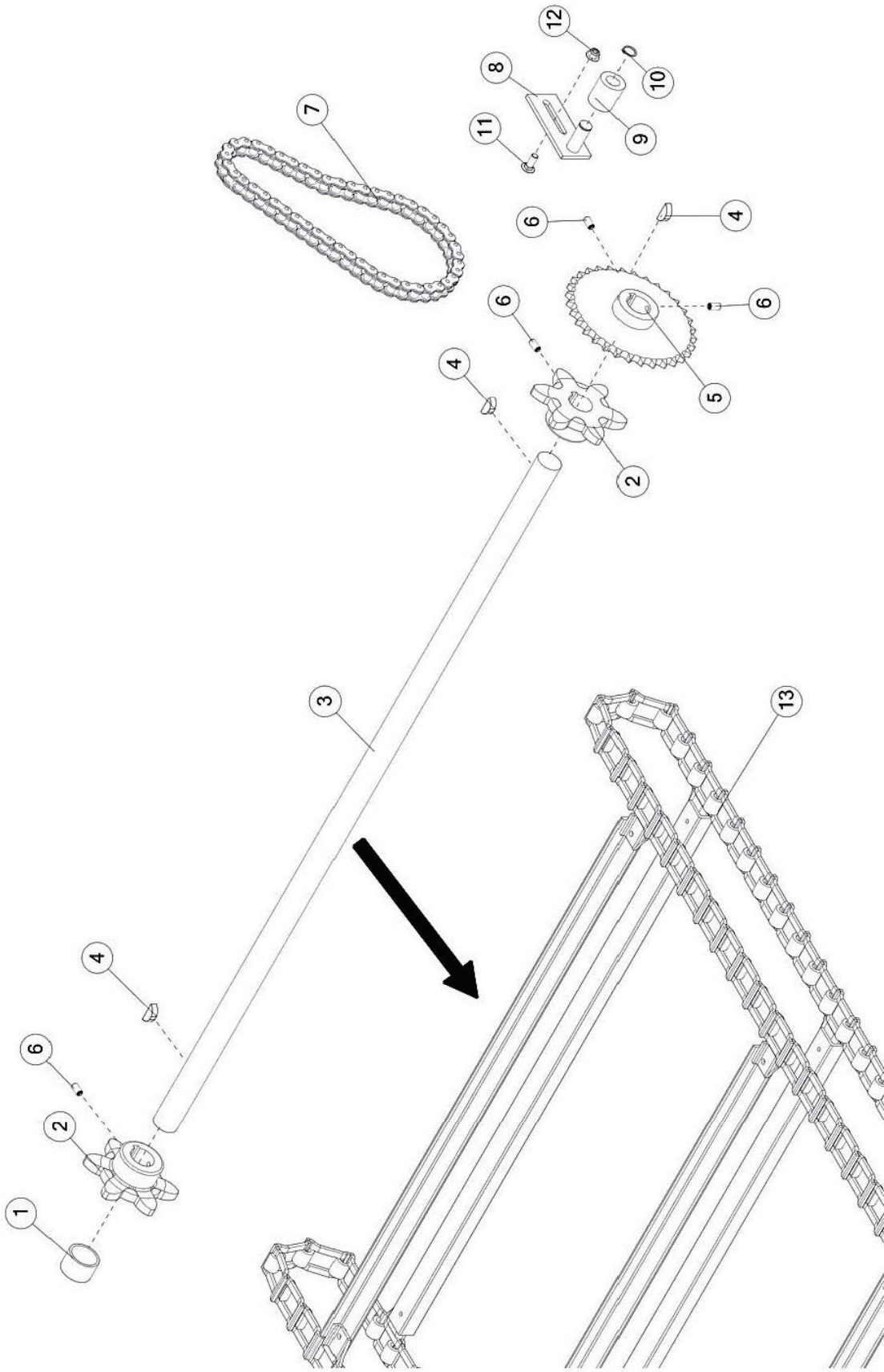
## FIGURE 7

### APRON CHAIN & FRONT DRIVE SHAFT ASSEMBLY

<u>ITEM</u>	<u>QTY</u>	<u>PART#</u>	<u>DESCRIPTION</u>
1	1	12N64	COMPLETE APRON CHAIN
*	1	12N63	SLAT W/ATT LINK 67XH
*	1	11S26	ATTACHMENT LINK LH 67XH
*	1	11S27	ATTACHMENT LINK RH 67XH
*	1	11S29	CONNECTOR LINK 67XH
2	2	12N66	IDLER SPACER
3	1	12N67	FRONT IDLER SHAFT
4	2	G89	STRAIGHT ZERK, 1/4
5	2	12N65	APRON SPOCKET (6T)
6	2	YBHH16190	BOLT HEX, 1/2 X 9-1/2
7	2	YNHX16005	NUT HEX, 1/2 G2
8	2	YWFL16005	WASHER FLAT, 1/2
9	2	YNJM16005	NUT JAM, 1/2

\*MEANS NOT SHOWN

**FIGURE 8**  
**APRON CHAIN & REAR DRIVE SHAFT ASSEMBLY**

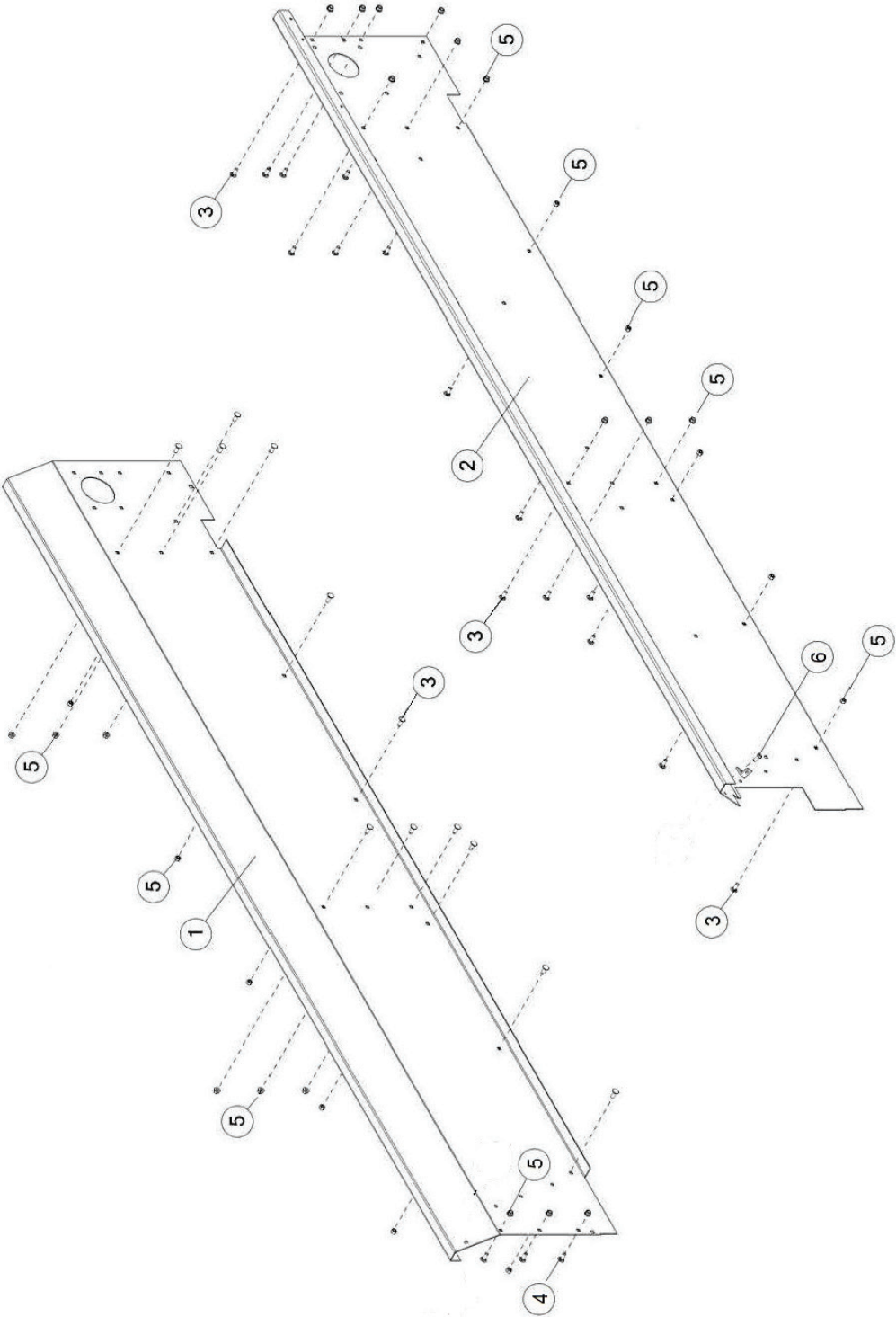


**FIGURE 8**  
**APRON CHAIN & REAR DRIVE SHAFT ASSEMBLY**

<u>ITEM</u>	<u>QTY</u>	<u>PART#</u>	<u>DESCRIPTION</u>
1	1	A39	DRIVE SHAFT SPACER
2	2	A4	DRIVE SHAFT SPROCKET (6T)
3	1	72146	DRIVE SHAFT
4	3	5B9	WOODRUFF KEY, 3/8 X 1-1/4
5	1	69759	SPROCKET (60-B-32)
6	4	YSKP12035	SCREW SET, SCKT, KNRD CUP PT 3/8-16 X 3/4
7	1	70045	CHAIN, ROLL, (#60 X 49P)
8	1	L10R35	TIGHTENER BRACKET
9	1	23N238	CHAIN TIGHTENER ROLLER
10	1	10R32	SNAP RING
11	1	YBCR12010	BOLT CARRIAGE, 3/8 X 1 G5
12	1	YNFG12006	NUT FLANGE, 3/8
13	1	12N64	APRON CHAIN COMPLETE
*	1	12N63	SLAT W/ATT LINK 67XH
*	1	11S26	ATTACHMENT LINK 67XH LH
*	1	11S27	ATTACHMENT LINK 67XH RH
*	1	11S29	CONNECTOR LINK 67XH

\*MEANS NOT SHOWN

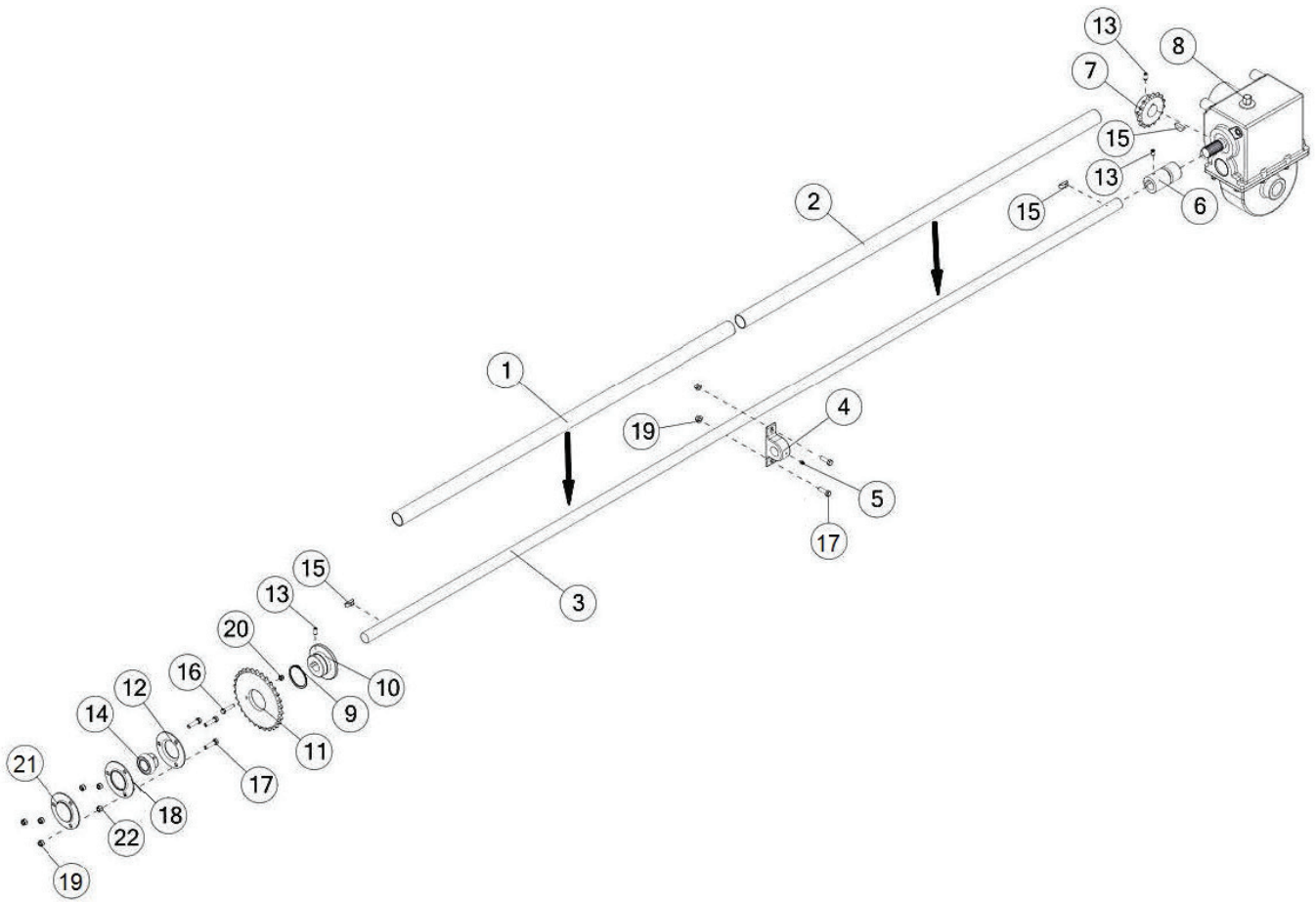
**FIGURE 9**  
**SIDE PANEL ASSEMBLY**



**FIGURE 9**  
**SIDE PANEL ASSEMBLY**

<b><u>ITEM</u></b>	<b><u>QTY</u></b>	<b><u>PART#</u></b>	<b><u>DESCRIPTION</u></b>
1	1	70990	PANEL W/DECALS RH
2	1	70986	PANEL W/DECALS LH
3	31	YBCR12065	BOLT CARRIAGE, 3/8 X 3/4 G5
4	2	YBCR12010	BOLT CARRIAGE, 3/8 X 1 G5
5	32	YNFG12006	NUT HEX FLANGE, 3/8
6	1	YBFB12003	BOLT FLANGE, 3/8 X 1 G5

# FIGURE 10 SIDE SHAFT ASSEMBLY



## FIGURE 10

### SIDE SHAFT ASSEMBLY

<u>ITEM</u>	<u>QTY</u>	<u>PART#</u>	<u>DESCRIPTION</u>
1	1	68898	PVC TUBE
2	1	68899	PVC TUBE
3	1	69905	SHAFT
4	1	12N36	PILLOW BLOCK, 1-1/4
5	1	G89	STRAIGHT ZERK, 1/4
6	1	17G65	COUPLER
7	1	17G67	SPROCKET (60-B-16)
8	1	17G142	COMPLETE 2 SPEED GEARBOX
9	1	23N189	SNAP RING EXTERNAL
10	1	23N190	SHEAR HUB
11	1	23N191	SPROCKET (60-A-30)
12	1	F14	FLANGE BEARING
13	3	YSKP12035	SET SCREW, 3/8 X 3/4
14	1	12N122	BEARING 1-1/4
15	3	5B9	KEY WOODRUFF
16	1	YBHH10030	BOLT HEX, 5/16 X 1-1/2 G5
17	5	YBFB12125	BOLT FLANGE, 3/8 X 1-1/4 G5
18	1	F114A	FLANGE, 1-1/4 W/ZERK
19	5	YNFG12006	NUT FLANGE, 3/8
20	1	YNNY10005	NUT HEX NYLON LOCKNUT, 5/16
21	1	77321	SECOND BEATER FLANGE GUARD
22	3	YNHX12005	NUT HEX, 3/8

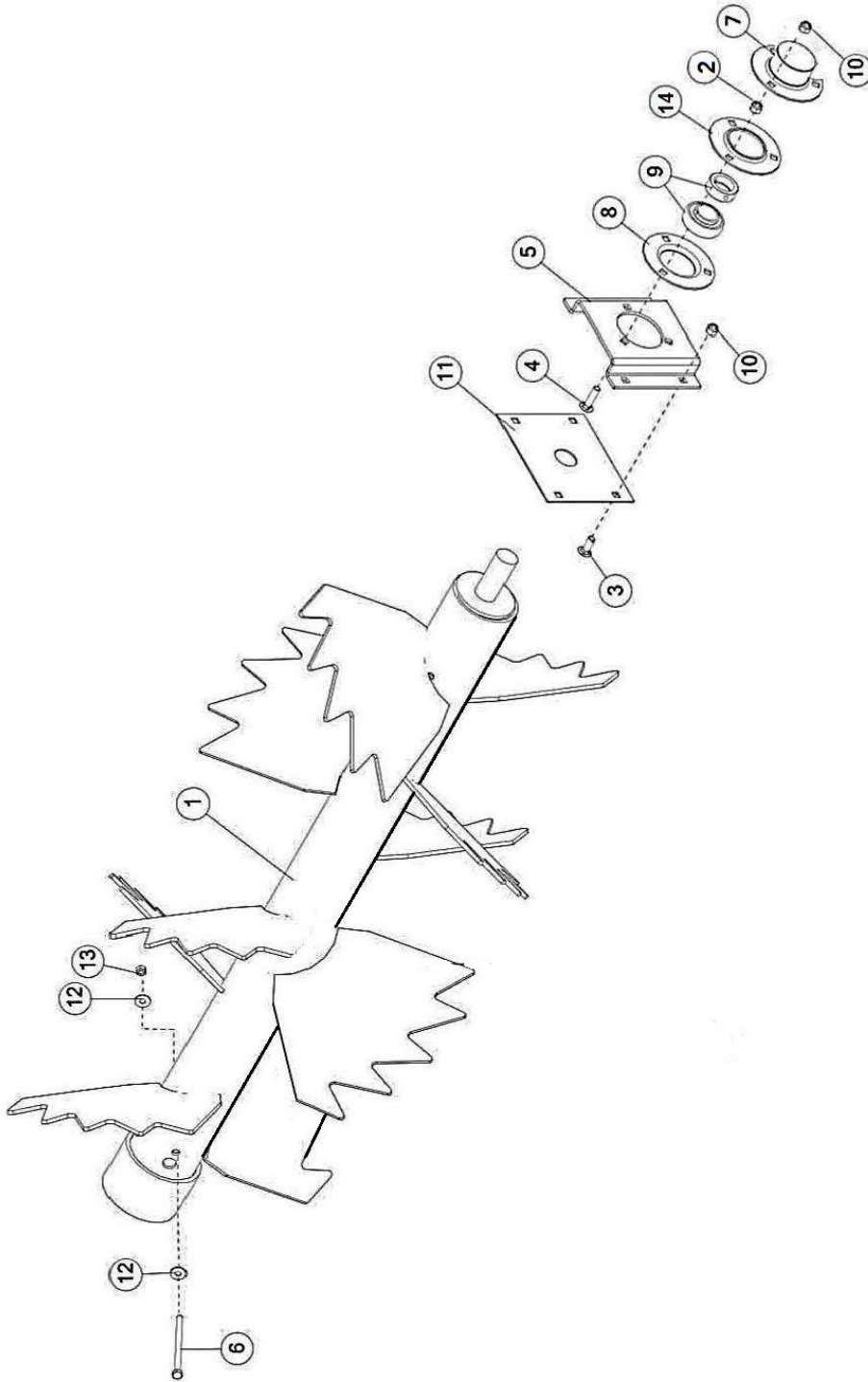




## FIGURE 11 SHIELDS & GUARDS

<u>ITEM</u>	<u>QTY</u>	<u>PART#</u>	<u>DESCRIPTION</u>
1	1	70985	SPROCKET SHIELD W/DECALS
2	1	70984	FRONT SHIELD W/DECALS
3	1	70983	REAR SHIELD W/DECALS
4	1	72138	POLY SHIELD W/DECALS
5	1	69959	SHIELD
6	1	70980	GEARBOX SHIELD W/DECALS
7	1	F97	SMV BRACKET
8	1	70060	SMV BRACKET
9	1	F92	FRONT SHIELD BRACKET
10	4	S122	LINCH PIN W/LANYARD
11	2	YBCR10030	BOLT CARRIAGE, 5/16 X 3/4 G5
12	12	YBCR12065	BOLT CARRIAGE, 3/8 X 3/4 G5
13	5	YBFB10075	BOLT FLANGE, 5/16 X 3/4 G5
14	1	YBFB12003	BOLT, FLANGE, 3/8 X 1.
15	1	YBHH12215	BOLT HEX, 3/8 X 5-1/2 G5
16	4	YBFB16125	BOLT FLANGE, 1/2 X 1-1/4 G5
17	3	YNFG08010	NUT FLANGE, 1/4
18	3	YBFB08075	BOLT FLANGE, 1/4 X 3/4 G5
19	13	YWFL12010	WASHER FLAT, 3/8 G8
20	1	69964	BEATER FLARE
21	1	YNFG12006	NUT FLANGE, 3/8
22	7	YNFG10005	NUT FLANGE, 5/16
23	13	YNNY12005	NUT HEX NYLON, 3/8

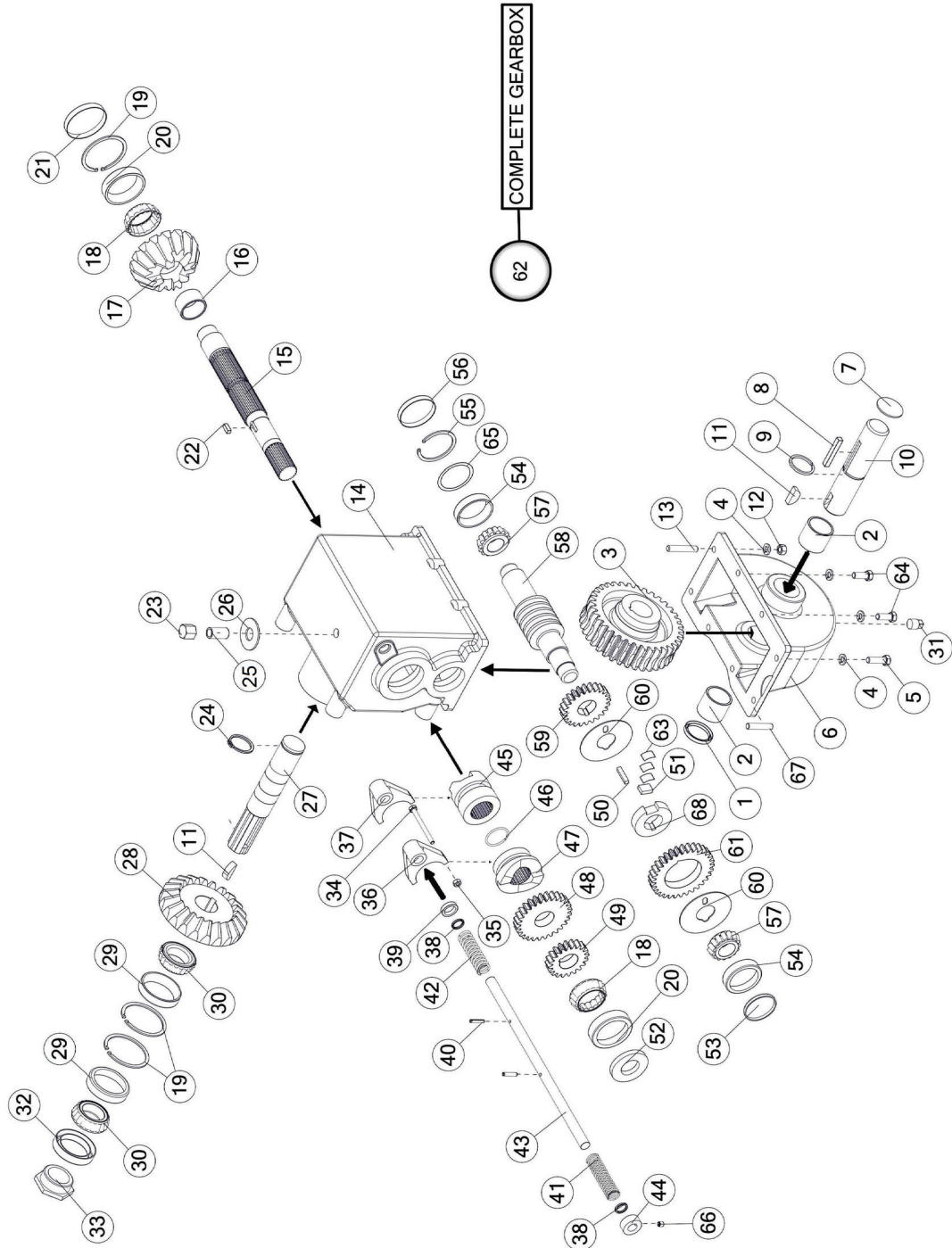
# FIGURE 12 BEATER ASSEMBLY



## FIGURE 12 BEATER ASSEMBLY

<u>ITEM</u>	<u>QTY</u>	<u>PART#</u>	<u>DESCRIPTION</u>
1	1	69962	BEATER
2	3	YNHX12005	NUT HEX, 3/8
3	4	YBCR12010	BOLT CARRIAGE, 3/8 X 1 G5
4	3	YBCR12015	BOLT CARRIAGE, 3/8 X 1-1/2 G5
5	1	70993	SHAFT SUPPORT
6	1	YBHH10130	BOLT HEX, 5/16 X 5 G5
7	1	77318	BEARING FLANGE
8	2	F14	BEARING FLANGE
9	1	12N122	BALL BEARING
10	7	YNFG12006	NUT FLANGE, 3/8
11	1	55235	BEATER SIDE MOUNT
12	2	YWFL10005	WASHER FLAT, 5/16
13	1	YNFG10005	NUT HEX, TOP LOCK, 5/16
14	1	F114A	BEARING FLANGE W/ZERK

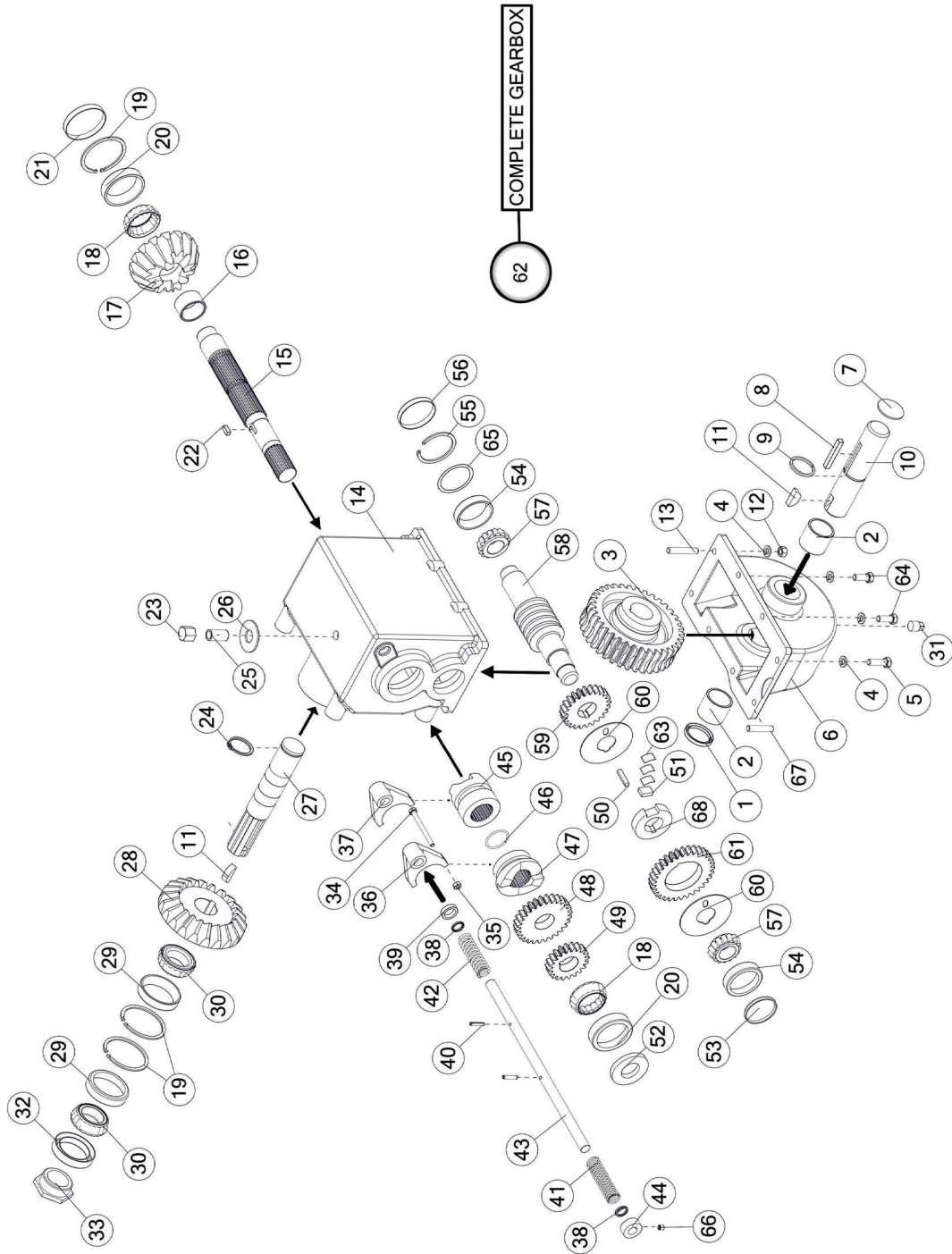
# FIGURE 13 GEARBOX



## FIGURE 13 GEARBOX

<u>ITEM</u>	<u>QTY</u>	<u>PART#</u>	<u>DESCRIPTION</u>
1	1	17G133	SEAL
2	2	17G134	BRONZE BUSH
3	1	17G137	GEAR, WORM (36T)
4	8	YWLO12005	WASHER LOCK, 3/8
5	2	YBHH12035	BOLT HEX, 3/8 X 1-1/4 G5
6	1	17G107	LOWER GEARBOX HOUSING
7	1	17G139	CAP
8	1	17G132	SQUARE KEY, 5/16 X 2-1/4
9	1	17G135	SNAP RING
10	1	17G136	OUTPUT SHAFT
11	2	5B9	WOODRUFF KEY, 3/8 X 1-1/4
12	2	YNHX12005	NUT HEX , 3/8 GR 2
13	1	17G140	SCR, STUD, 0.38-16 X 1.81
14	1	17G99	UPPER GEARBOX HOUSING
15	1	17G108A	INPUT SHAFT
16	1	17G111	BRONZE BUSHING
17	2	17G110	BEVEL GEAR (16T)
18	3	G18	TAPER BEARING
19	2	G55	INTERNAL RING SNAP
20	1	18VB25	RACE
21	1	G68	CAP
22	1	17G116	SQUARE KEY, 1/4 X 5/8
23	1	17G58	VENT CAP
24	1	12V62	HEAVY DUTY EXTERNAL SNAP RING
25	1	23N288	PIPE NIPPLE, 0.38 X 1-1/4
26	1	YWFL24005	WASHER, FLAT, 3/4
27	1	17G104	OUTPUT SHAFT
28	1	17G101	GEAR BEVEL (22T)
29	2	17G102	RACE
30	2	17G103	TAPER BEARING
31	1	G65	PLUG PIPE, 3/8 NPT
32	1	17G105	SEAL
33	1	17G106	ADJUSTABLE NUT
34	1	YBHH08090	BOLT HEX, FULL THREAD, 1/4 X 3 G2
35	1	YNHX08007	NUT HEX, 1/4 G5

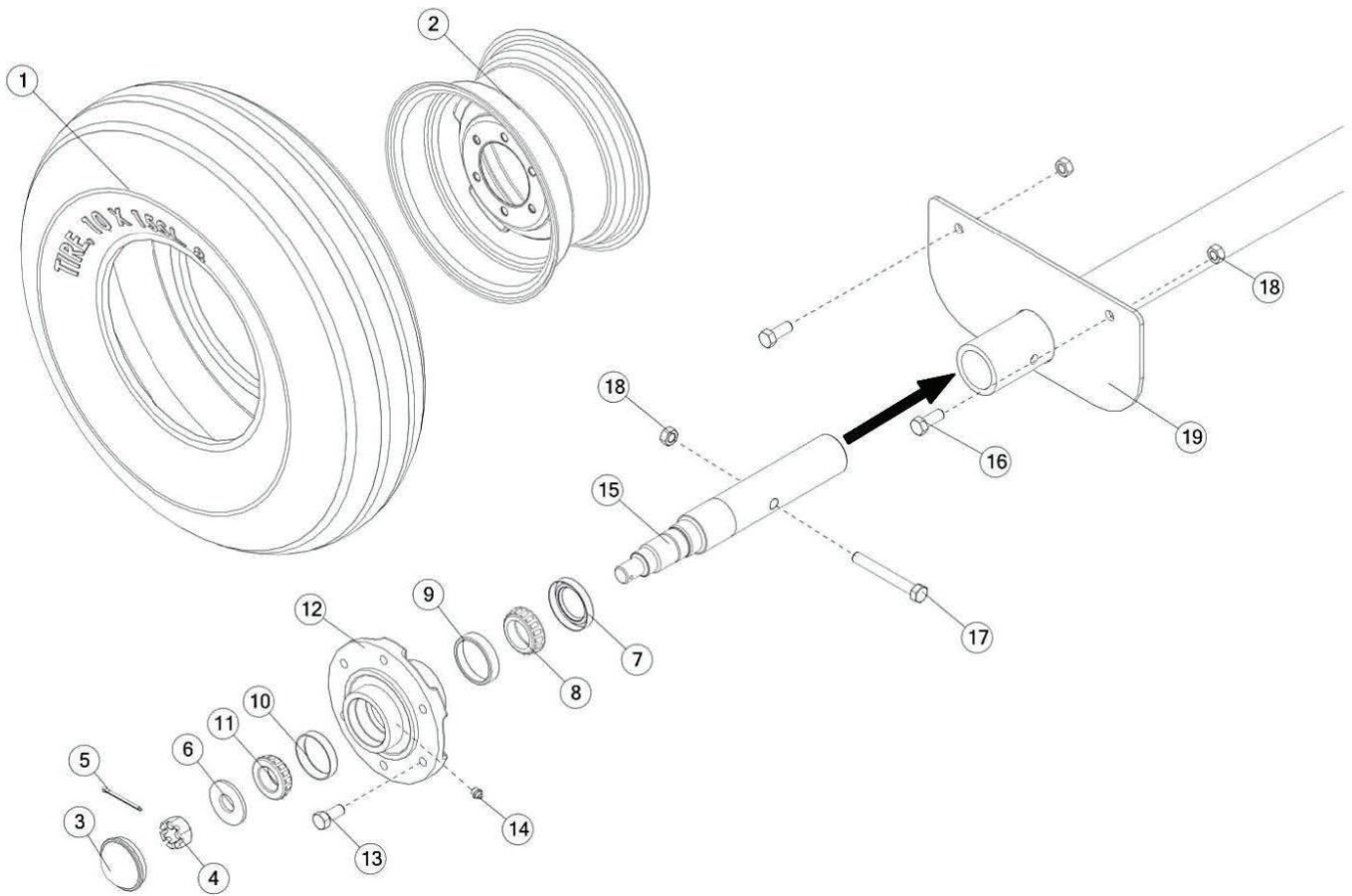
# FIGURE 13 GEARBOX



## FIGURE 13 GEARBOX

<u>ITEM</u>	<u>QTY</u>	<u>PART#</u>	<u>DESCRIPTION</u>
36	1	17G125	HIGH SPEED SHIFTER YOKE
37	1	17G129	BEATER SHIFTER YOKE
38	2	17G121	SEAL
39	1	17G122	TUBE, RND, STR, 1.06 X 0.14 X 0.25
40	2	17G123	ROLL PIN
41	1	17G128	SPRING
42	1	17G130	SPRING
43	1	17G131	SHIFTER ROD SHAFT
44	1	17G171	LOCK COLLAR 1-1/4
45	1	17G109	BEATER CLUTCH
46	1	17G169A	SNAP RING
47	1	17G119	HIGH SPEED CLUTCH
48	1	17G118	HIGH SPEED GEAR, (28T)
49	1	17G115	LOW SPEED GEAR
50	1	S135	SQUARE KEY, 1/4 X 1-1/4
51	1	17G124	CLUTCH DOG
52	1	S136	SEAL
53	1	17G100	CAP
54	2	3G18	RACE
55	1	3G19	INTERNAL SNAP RING
56	1	G90	CAP
57	2	L3G24	TAPER BEARING
58	1	17G120	SHAFT
59	1	17G117	HIGH SPEED GEAR
60	2	17G112	WASHER
61	1	17G113	LOW SPEED GEAR
62	1	17G142	GEARBOX COMPLETE
63	3	17G126	DOG SPRING
64	4	YBHH12010	BOLT HEX, 3/8 X 1 G5
65	1	G92	STAINLESS SHIM
66	1	YSKP10015	SET SCREW, 5/16 - 18 X 5/16
67	1	17G138	SCR, STUD, 0.38-16 X 2
68	1	17G114	LOW SPEED CLUTCH

# FIGURE 14 HUB ASSEMBLY

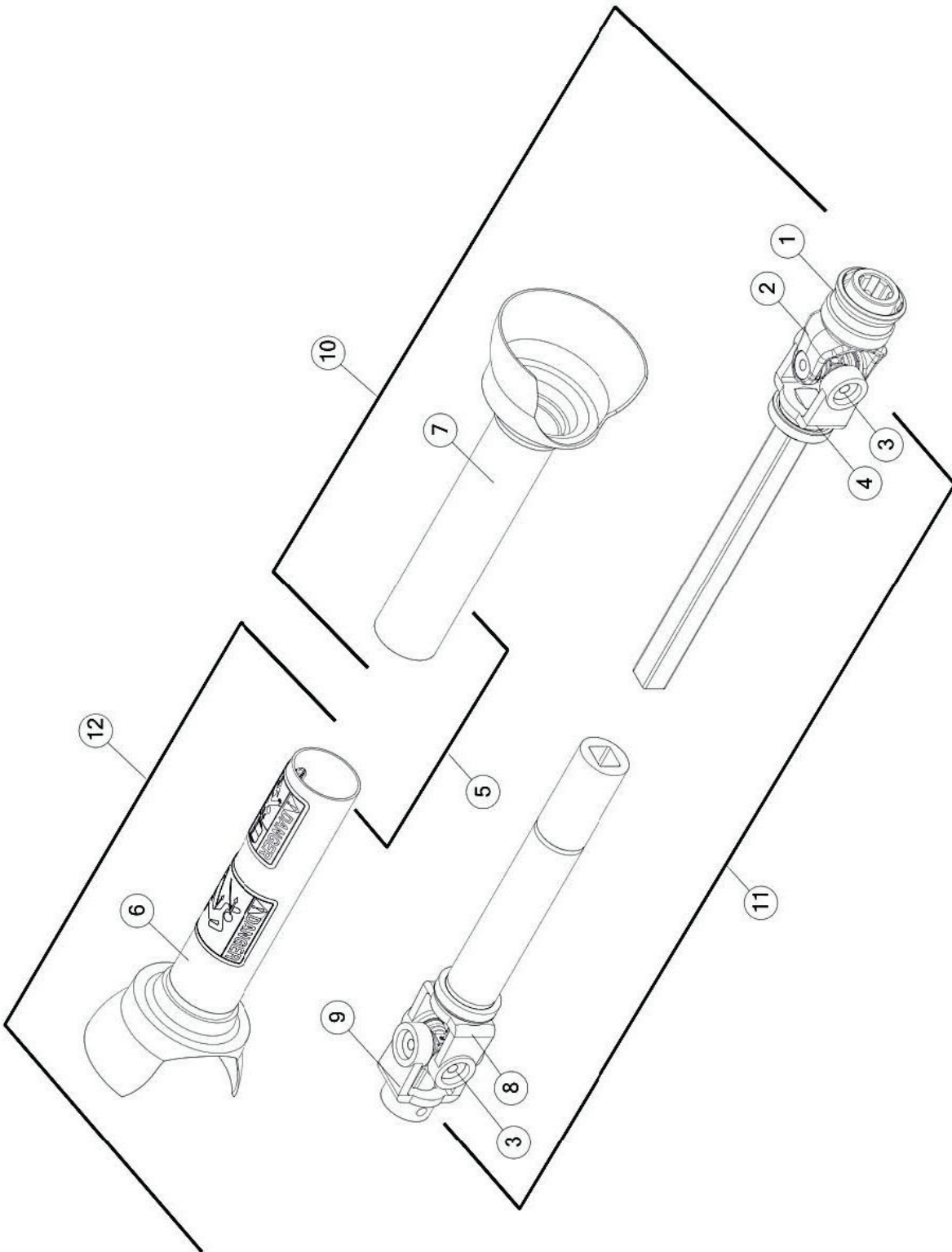




## FIGURE 14 HUB ASSEMBLY

<u>ITEM</u>	<u>QTY</u>	<u>PART#</u>	<u>DESCRIPTION</u>
1	2	UR9	TIRE TUBELESS 10.00 X 15.8 PLY
*	2	72436	VALVE STEM, 1-1/2 RUBBER
2	2	12N24	WHEEL, 15 X 8, 6 BOLT
3	2	17G144	HUB CAP
4	2	YNSL28005	NUT HEX SLOTTED, 7/8
5	2	YPCT05010	COTTER PIN, 5/32 X 1-1/2
6	2	YWFL28005	WASHER FLAT, 7/8
7	2	12N17	SEAL
8	2	12N18	INNER BEARING
9	2	12N19	INNER RACE
10	2	17G146	OUTER RACE
11	2	17G145	OUTER BEARING
12	2	12N20	HUB W/RACES
13	12	YBWL16005	BOLT WHEEL, 1/2 X 1 G5
14	2	BFR28	GREASE ZERK 1/8 NPT
15	2	12N16	SPINDLE
16	4	YBFB16125	BOLT FLANGE, 1/2 X 1-1/4
17	2	YBFB16350	BOLT FLANGE, 1/2 X 3-1/2
18	6	YNFG16003	NUT FLANGE, 1/2
19	1	67319	AXLE

**FIGURE 15**  
**PTO WEASLER**

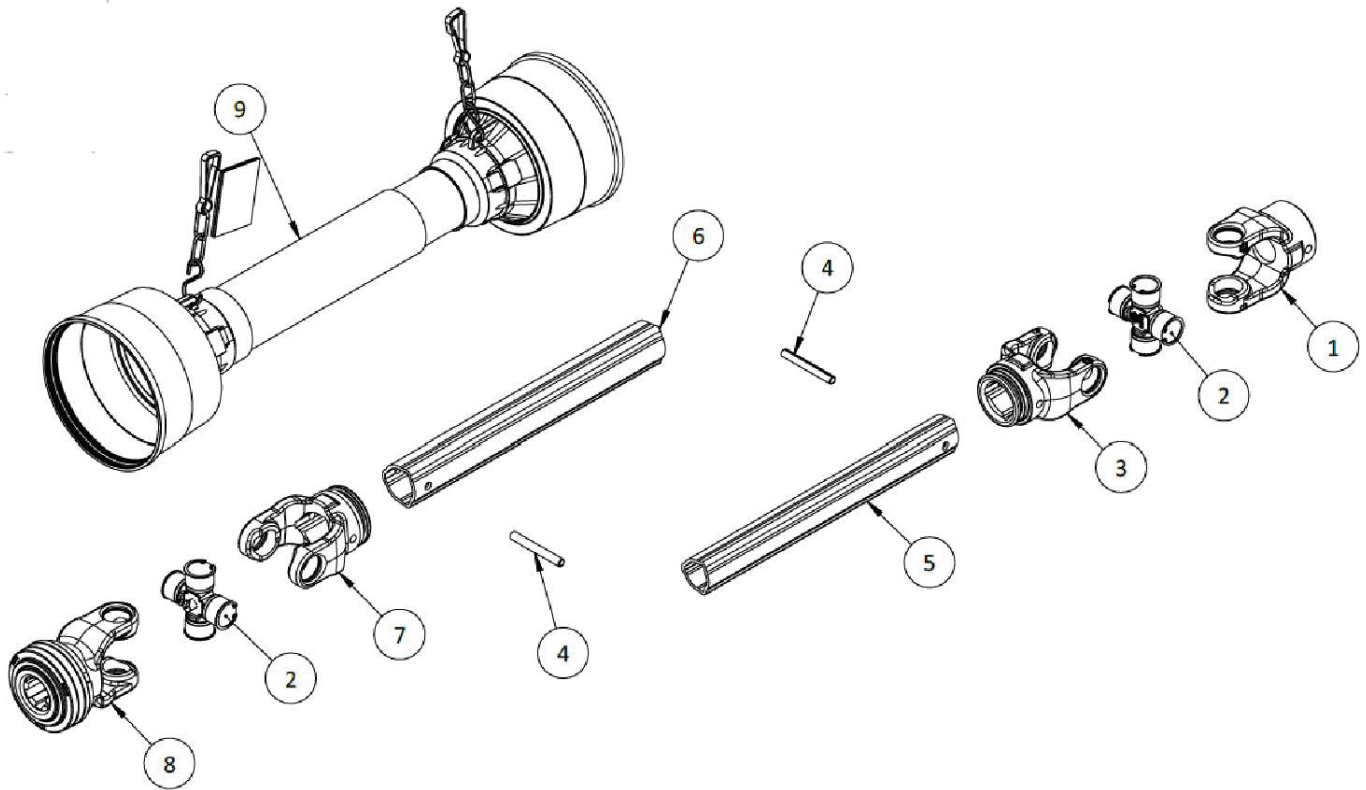


## **FIGURE 15** **PTO WEASLER**

<b><u>ITEM</u></b>	<b><u>QTY</u></b>	<b><u>PART#</u></b>	<b><u>DESCRIPTION</u></b>
1	1	S225	SPRING-LOK REPAIR KIT
2	1	S379	SPRING-LOK YOKE #12
3	2	T274	CROSS AND BEARING KIT #12P
4	1	12N110	YOKE AND SHAFT
5	2	S206	GUARD REPAIR KIT (NOT SHOWN)
6	1	12N112	INNER GUARD
7	1	12N111	OUTER GUARD
8	1	12N113	YOKE AND TUBE
9	1	12N115	YOKE
10	1	12N106	JOINT & SHAFT HALF W/GUARD
11	1	12N102	PTO COMPLETE
12	1	12N109	JOINT & TUBE HALF W/GUARD
*	1	S402	PTO SAFETY MANUAL

**\*MEANS NOT SHOWN**

**FIGURE 16**  
**PTO BENZI**

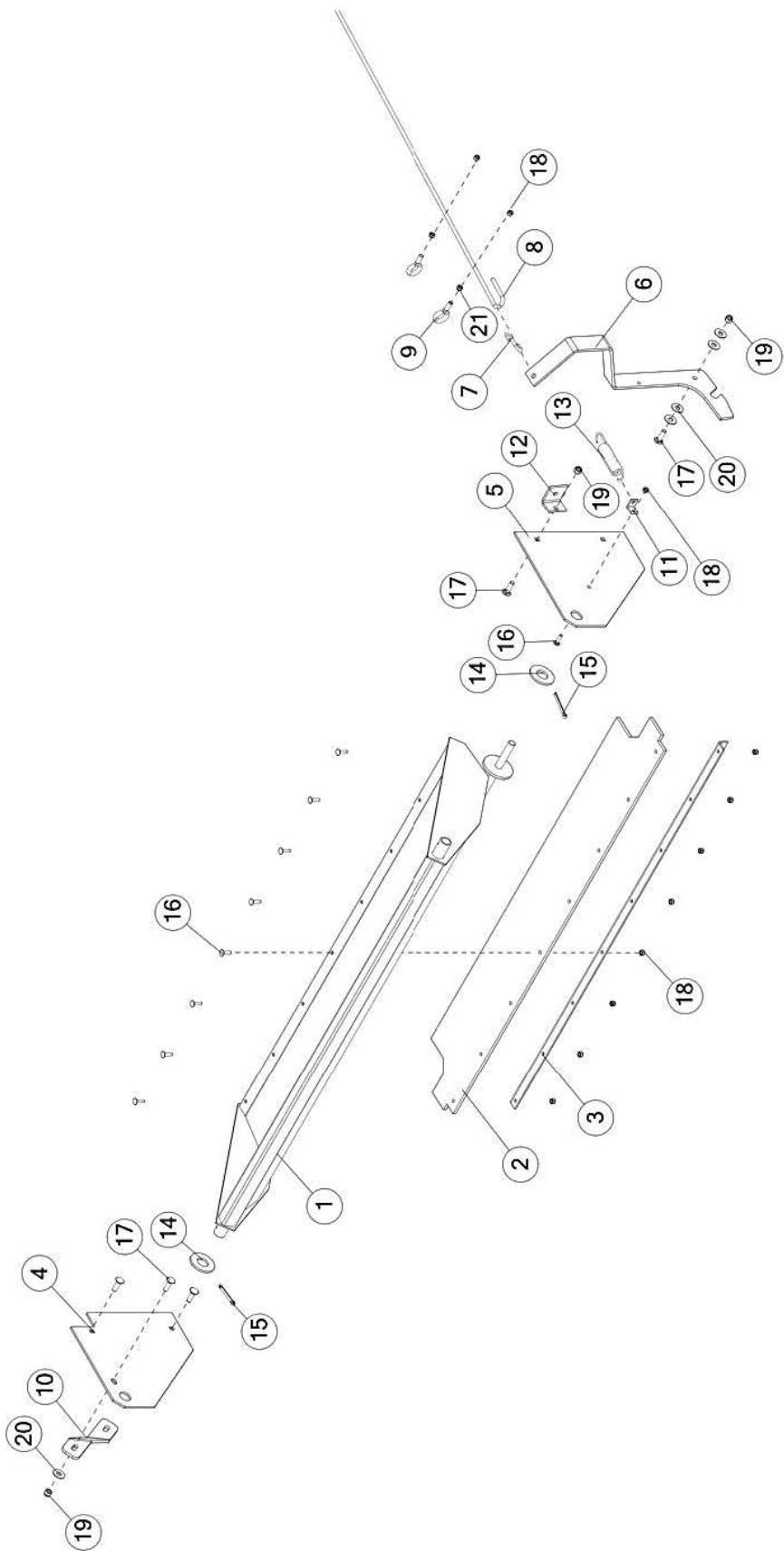


## FIGURE 16 PTO BENZI

<u>ITEM</u>	<u>QTY</u>	<u>PART#</u>	<u>DESCRIPTION</u>
1	1	84671	YOKE
2	2	84672	U JOINT
3	1	84673	YOKE
4	2	YPEX10250	EXPANSION PIN, 5/16 X 2-1/2
5	1	84674	INNER TUBE
6	1	84675	OUTER TUBE
7	1	84676	YOKE
8	1	84677	YOKE
9	1	84678	GUARD KIT
*	1	12N102	COMPLETE PTO

**\*MEANS NOT SHOWN**

**FIGURE 17**  
**OPTIONAL PAN**



## FIGURE 17 OPTIONAL PAN

<u>ITEM</u>	<u>QTY</u>	<u>PART#</u>	<u>DESCRIPTION</u>
1	1	71414	PAN
2	1	12N53	PAN RUBBER
3	1	12N52	RUBBER FLAP ANGLE
4	4	71411	PAN SUPPORT LH
5	1	12N56	PAN SUPPORT LH
6	1	71413	PAN HANDLE
7	1	YMHK92004	S-HOOK
8	1	80N6	ROPE (134 IN)
9	2	YBTE08005	BOLT TURNED, 1/4 X 1
10	1	77666	SUPPORT BRACKET
11	1	R26	SPRING ANGLE
12	1	RP10	ANGLE
13	1	R27	SPRING
14	2	77041	SPACER
15	2	YPCT08007	COTTER PIN, 1/4 X 2
16	9	YBCR08005	BOLT CARRIAGE, 1/4 X 1 G5
17	5	YBCR12020	BOLT CARRIAGE, 3/8 X 1-1/4 G5
18	11	YNNY08005	NUT HEX, 1/4 G2
19	1	YNNY12005	NUT HEX, 3/8 G2
20	5	YWFL14005	WASHER FLAT, 7/16
21	2	YNHX08005	NUT HEX, 1/4





## **CHANGE NOTES**

1. ADDED BENZI PTO TO FIGURE 16.
2. HARDWARE CHANGE PER EC-14118 PAGES ARE MARKED UP IN PDM.

**H&S MFG. CO.**

products approved

for the

**FEMA**

**SEAL OF QUALITY**

