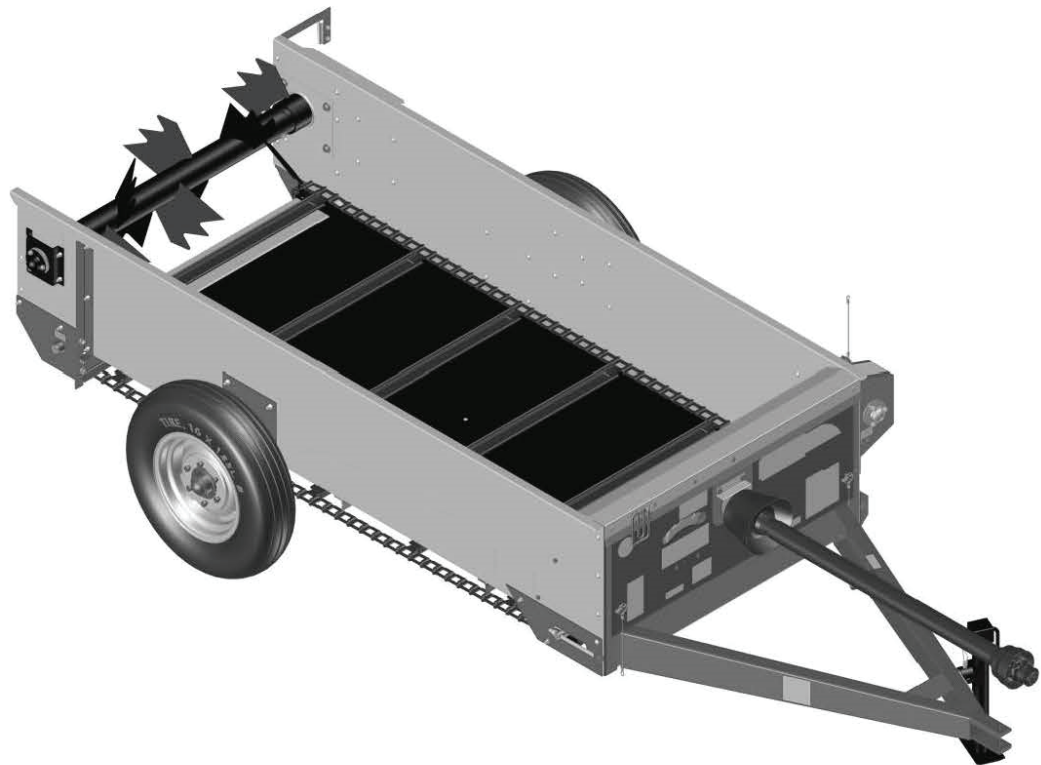


H&S PARTS BOOK

2180 SPREADER



Revision #04
Starting Ser. #121PD80001

HSMFG0720

PART #71216

Manufactured By
H&S MANUFACTURING CO., INC.
2608 S. HUME AVE. MARSHFIELD, WI 54449
(715) 387-3414 FAX (715) 384-8736

CONTENTS

Instruction For Ordering Parts - About Improvements	1
Figure 1 - Front Pole Assembly	2-3
Figure 2 - Input Shaft Assembly	4-5
Figure 3 - Shifting Components	6-7
Figure 4 - Panels & Manual Holder	8-9
Figure 5 - Side Panels	10-11
Figure 6 - Front Idler Shaft Assembly	12-13
Figure 7 - Floor Assembly	14-15
Figure 8 - Rear Idler Shaft Assembly	16-17
Figure 9 - Side Shaft Assembly	18-19
Figure 10 - Side Shaft Panel & Guards	20-21
Figure 11 - Hub & Spindle Assembly	22-23
Figure 12 - Beater Assembly	24-25
Figure 13 - Gearbox	26-29
Figure 14 - PTO Weasler	30-31
Figure 15 - PTO Benzi	32-33
Figure 16 - Optional Pan	33-34
Parts Notes	35

INSTRUCTIONS FOR ORDERING PARTS

All service parts should be ordered through your authorized H&S dealer. He will be able to give you faster service if you will provide them with the following:

1. Model & Serial Number - Both can be located on the front Main Frame.
2. All references to left or right apply to the machine as viewed from the rear.
3. Parts should not be ordered from illustration only. Please order complete part number.
4. If your dealer has to order parts - give shipping instructions:

VIA truck - large pieces (please specify local truck lines)

VIA United Parcel Service (include full address)

H&S MFG. CO. INC.	
MARSHFIELD, WIS.	
MOD. NO.	<input type="text"/>
SER. NO.	<input type="text"/>
DESCR.	<input type="text"/>

PLEASE RECORD NUMBERS FOR YOUR UNIT FOR QUICK REFERENCE

ABOUT IMPROVEMENTS

H&S IS CONTINUALLY STRIVING TO IMPROVE IT'S PRODUCTS

We must therefore, reserve the right to make improvements or changes whenever it becomes practical to do so, without incurring any obligation to make changes or additions to the equipment previously sold.

FIGURE 1 FRONT POLE ASSEMBLY

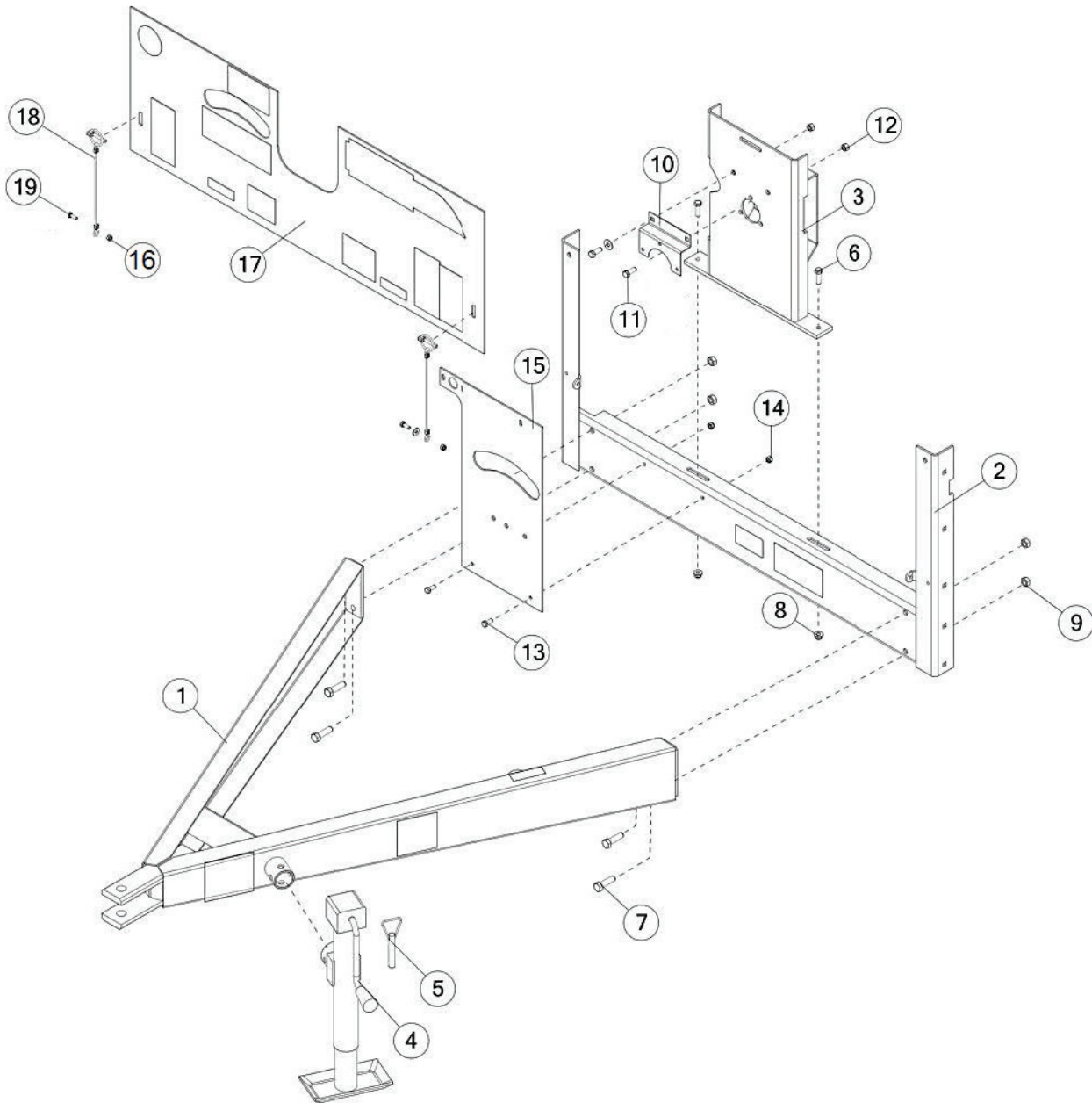


FIGURE 1

FRONT POLE ASSEMBLY

<u>ITEM</u>	<u>QTY</u>	<u>PART#</u>	<u>DESCRIPTION</u>
1	1	70996	FRONT POLE W/DECALS
2	1	72076	FRONT FRAME W/DECALS
3	1	68993	FRONT FRAME POST
4	1	12N116	SIDE WIND JACK
5	1	12N117	JACK PIN
6	2	YBFB12125	BOLT FLANGE, 3/8 X 1-1/4 G5
7	4	YBFB16175	BOLT FLANGE, 1/2 X 1-3/4 G5
8	2	YNFG12006	NUT FLANGE, 3/8 GF
9	4	YNFG16003	NUT FLANGE, 1/2 GF
10	1	80N13	CENTER BEARING BRACKET
11	2	YBFB12003	BOLT FLANGE, 3/8 X 1 G5 ZC
12	2	YNFG12006	NUT FLANGE, 3/8 GF
13	2	YBFB10001	BOLT FLANGE, 5/16 X 1 G5
14	2	YNFG10005	NUT FLANGE, 5/16 GF
15	1	72001	SHIFTING BRACKET
16	2	YNFG08010	NUT FLANGE , 1/4 GF
17	1	72048	FRONT POLY PANEL W/DECALS
18	2	S122	LYNCH PIN W/LANYARD
19	2	YBFB08075	BOLT FLANGE, 1/4 X 3/4 G5

FIGURE 2 INPUT SHAFT ASSEMBLY

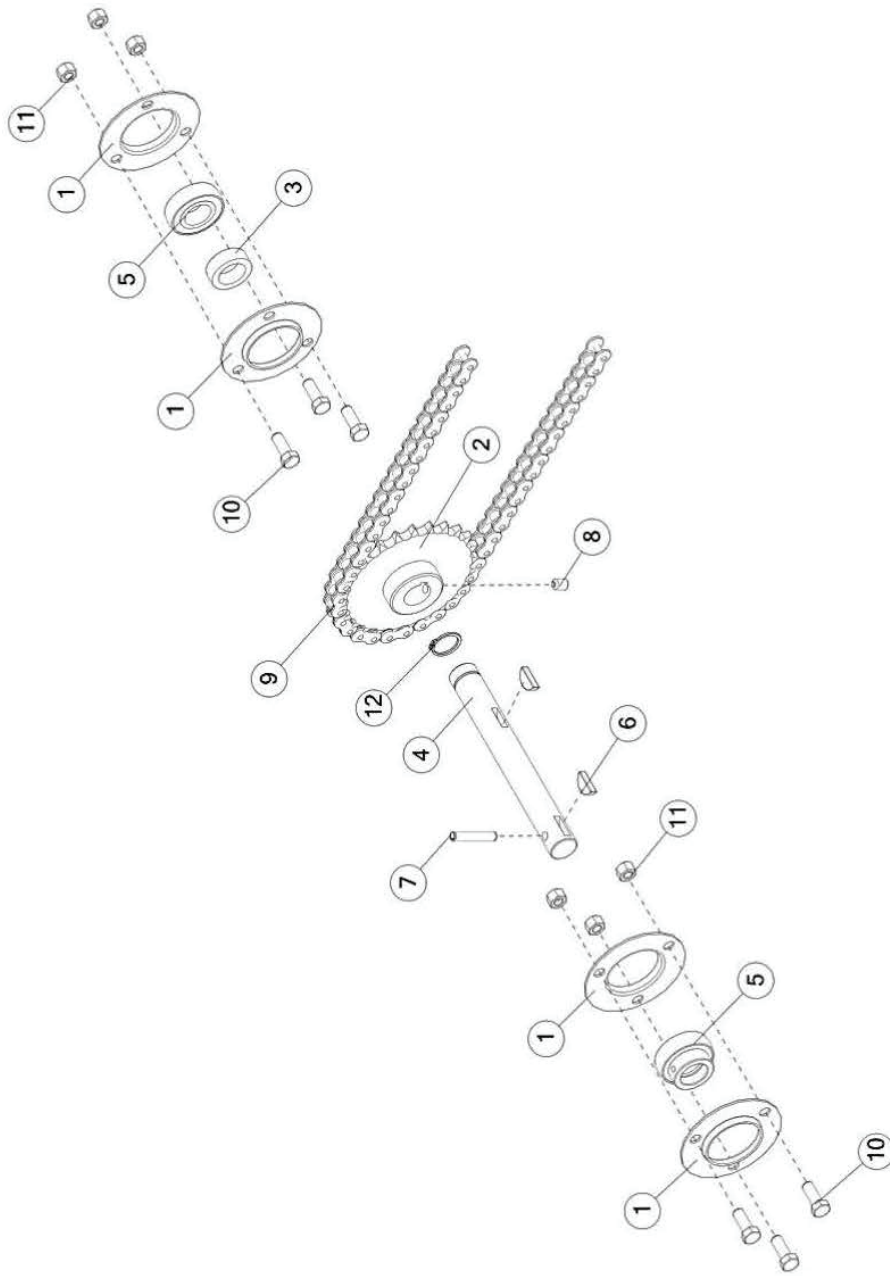


FIGURE 2 INPUT SHAFT ASSEMBLY

<u>ITEM</u>	<u>QTY</u>	<u>PART#</u>	<u>DESCRIPTION</u>
1	4	4C7	FLANGE
2	1	69783	SPROCKET
3	1	70727	TUBE
4	1	80N7	INPUT SHAFT
5	2	4C8	BEARING W/COLLAR, 1 IN
6	2	5B10	KEY WOODRUFF, 1/4 X 1
7	1	YPEX10015	EXPANSION PIN, 5/16 X 1-3/4
8	1	YSSO12005	SET SCREW, SOCKET, 3/8 X 1/2
9	1	70200	ROLLER CHAIN
*	1	X61	CONNECTOR LINK #50
*	1	X60	OFFSET LINK #50
10	6	YBHH12010	BOLT HEX, 3/8 X 1 G5
11	6	YNL12005	NUT HEX TOP LOCK, 3/8
12	1	3G21	SNAP RING

*MEANS NOT SHOWN

FIGURE 3 SHIFTING COMPONENTS

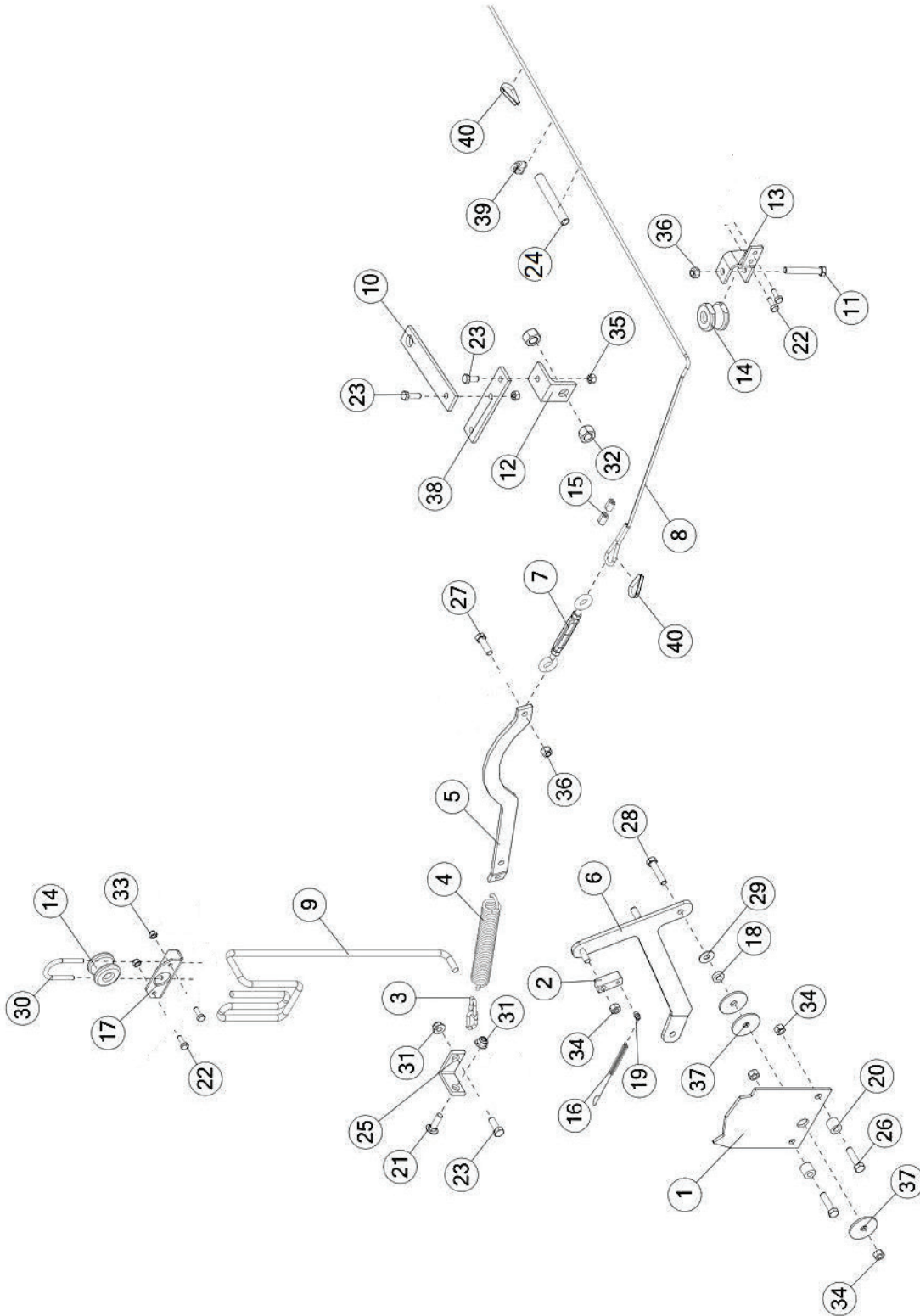


FIGURE 3

SHIFTING COMPONENTS

<u>ITEM</u>	<u>QTY</u>	<u>PART#</u>	<u>DESCRIPTION</u>
1	1	23N283	STOP BRACKET
2	1	23N282	SHIFTER DOG BRACKET, 5/8
3	1	70535	CHAIN (2 LINKS)
4	1	10R14	SPRING
5	1	71284	PIVOT LINK BRACKET
6	1	72015	SHIFTER LEVER
7	1	F84	TURNBUCKLE
8	1	70713	SHIFTER CABLE
9	1	23N183	ROPE 126 IN
10	1	23N289	SHIFTER ROD LEVER
11	1	YBFB12250	BOLT FLANGE, 3/8 X 2-1/2 G5
12	1	23N291	SHIFTER ROD BRACKET
13	1	71566	CABLE GUIDE BRACKET
14	2	F33	SIDE CABLE GUIDE
15	4	71279	SLEEVE
16	1	23N284	SHIFTER DOG SPRING
17	1	71972	FRONT CABLE GUIDE BRACKET
18	1	23N297	TUBE
19	1	G89	STRAIGHT ZERK, 1/4
20	2	ST81	EXTENSION SPACER
21	1	YBCR12020	BOLT CARRIAGE, 3/8 X 1-1/4 G5
22	4	YBFB08075	BOLT FLANGE, 1/4 X 3/4 G5
23	2	YBFB12003	BOLT FLANGE, 3/8 X 1 G5 ZC
24	1	72120	HEAT SHRINK
25	1	17G177	SPRING MOUNT BRACKET
26	2	YBHH12025	BOLT HEX, 3/8 X 1-1/2 G5
27	1	YBFB12125	BOLT FLANGE, 3/8 X 1-1/4 G5
28	1	YBHH12060	BOLT HEX, 3/8 X 1-3/4 G5
29	1	YWFL12005	WASHER FLAT, 3/8 USS
30	1	YBPU08005	U-BOLT, 1/4 X 3/4
31	2	YNFG12006	NUT FLANGE, LKNY, 3/8
32	2	YNHX20005	NUT HEX, 5/8
33	2	YNNY08005	NUT HEX, LKNY 1/4
34	4	YNRL12005	NUT HEX, 3/8 LKRS
35	2	YNFG12006	NUT FLANGE, LKNY, 3/8
36	2	YNFG12006	NUT FLANGE, LKNY, 3/8
37	3	YWCU12005	WASHER CUSTOM, FLAT
38	1	23N290	SHIFTER ROD BRACKET
39	2	BFR220	CABLE CLAMP, 3/16
40	2	ES14	THIMBLE

FIGURE 4 PANELS & MANUAL HOLDER

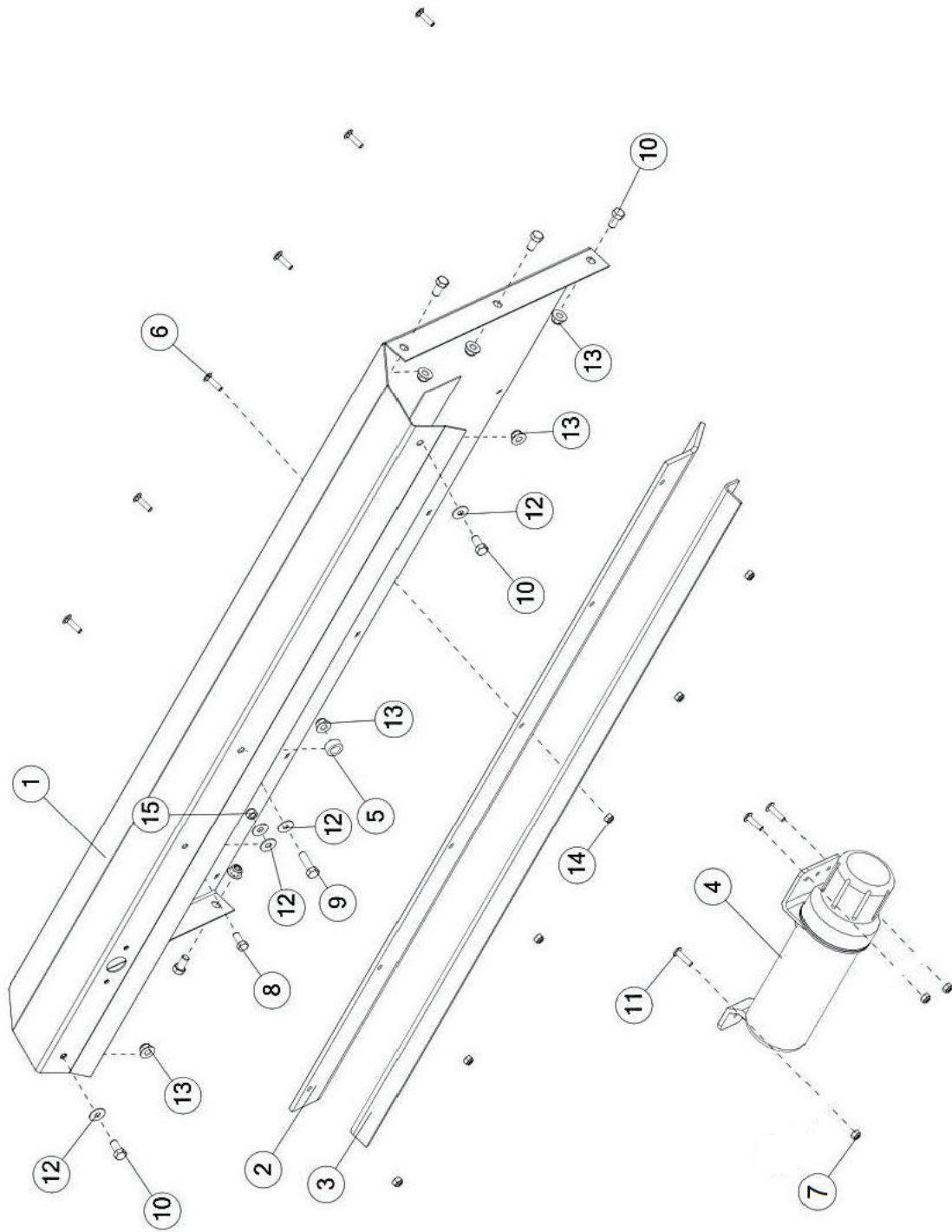


FIGURE 4

PANELS & MANUAL HOLDER

<u>ITEM</u>	<u>QTY</u>	<u>PART#</u>	<u>DESCRIPTION</u>
1	1	72000	FRONT PANEL W/DECALS
2	1	12N69	FRONT RUBBER
3	1	80N66	FRONT RUBBER STRAP
4	1	S522	MANUAL HOLDER
5	1	80N11	FRONT POST SPACER
6	6	YBCR08005	BOLT CARRIAGE, 1/4 X 1 G5
7	3	YNFG08010	NUT FLANGE , 1/4 GF
8	1	YBFB10075	BOLT FLANGE, 5/16 X 3/4 G5
9	1	YBFB12125	BOLT FLANGE, 3/8 X 1-1/4 G5
10	8	YBFB12075	BOLT FLANGE, 3/8 X 3/4 G5
11	3	YSTM08005	TRUSS HEAD MACH SCREW, 1/4 X 1 G5
12	3	YWCU12005	WASHER
13	9	YNFG12006	NUT HEX FLANGE NYLOCK, 3/8
14	6	YNNY08005	NUT HEX NYLON LOCKNUT, 1/4
15	1	YNNY10005	NUT HEX NYLON LOCKNUT, 5/16

FIGURE 5
SIDE PANELS

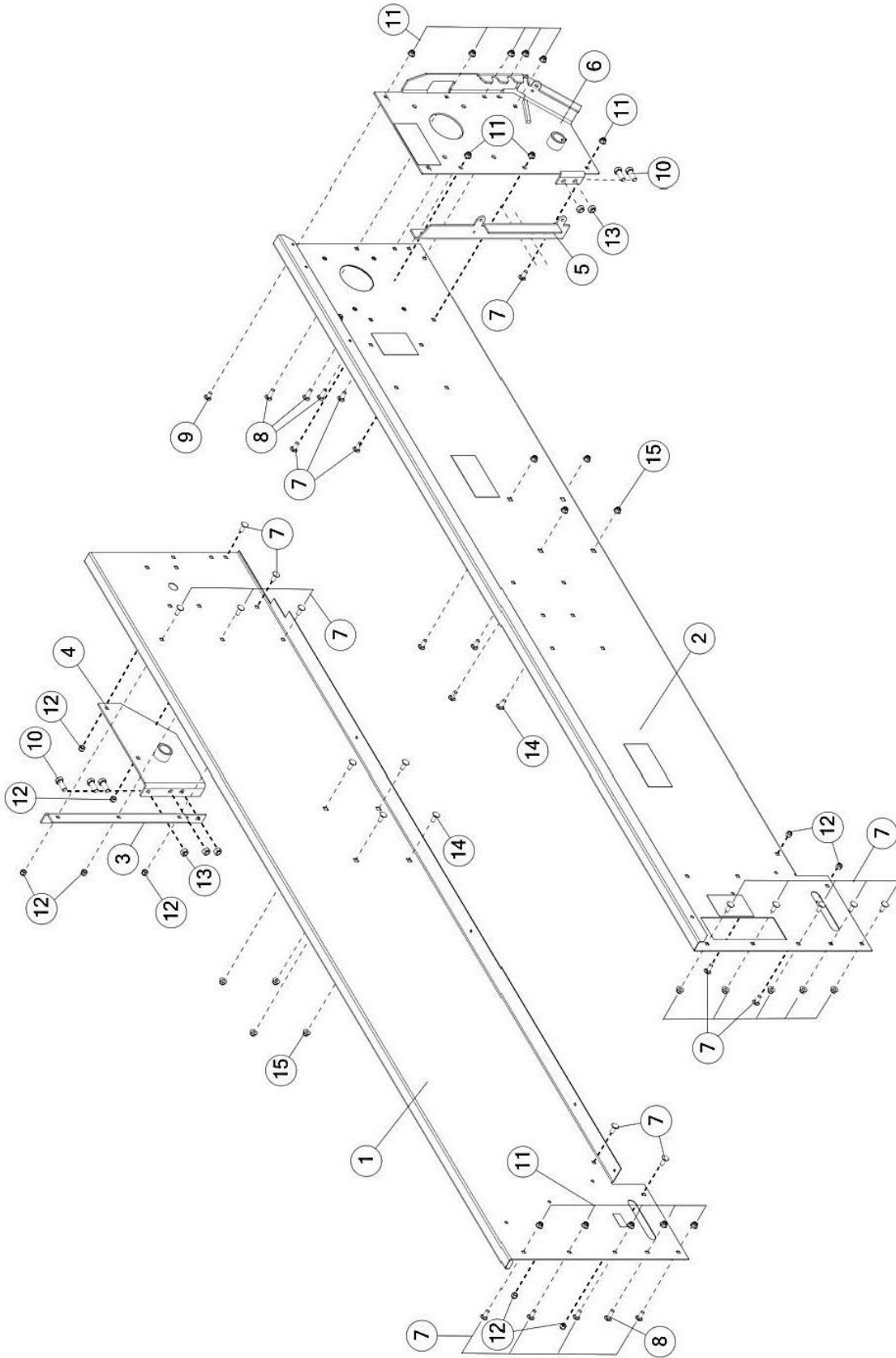


FIGURE 5 SIDE PANELS

<u>ITEM</u>	<u>QTY</u>	<u>PART#</u>	<u>DESCRIPTION</u>
1	1	71159	SIDE PANEL W/DECALS RH
2	1	72091	SIDE PANEL W/DECALS LH
3	1	67469	SIDE BRACE RH
4	1	71171	REAR FRAME W/DECAL RH
5	1	72079	FORMED PLATE
6	1	72080	REAR FRAME W/DECALS LH
7	20	YBCR12010	BOLT CARRIAGE, 3/8 X 1 G5
8	4	YBCR12020	BOLT CARRIAGE, 3/8 X 1-1/4 G5
9	1	YBCR12065	BOLT CARRIAGE, 3/8 X 3/4 G5
10	5	YBHH16045	BOLT HEX, 1/2 X 1-1/4 G5
11	18	YNFG12006	NUT HEX FLANGE NYLOCK, 3/8
12	8	YNFG12006	NUT HEXT FLANGE NYLOCK, 3/8
13	5	YNFG16003	NUT FLANGE, 1/2 GF
14	8	YBCR16005	BOLT CARRIAGE, 1/2 X 1 G5
15	8	YNFG16003	NUT FLANGE, 1/2 GF

FIGURE 6
FRONT IDLER SHAFT ASSEMBLY

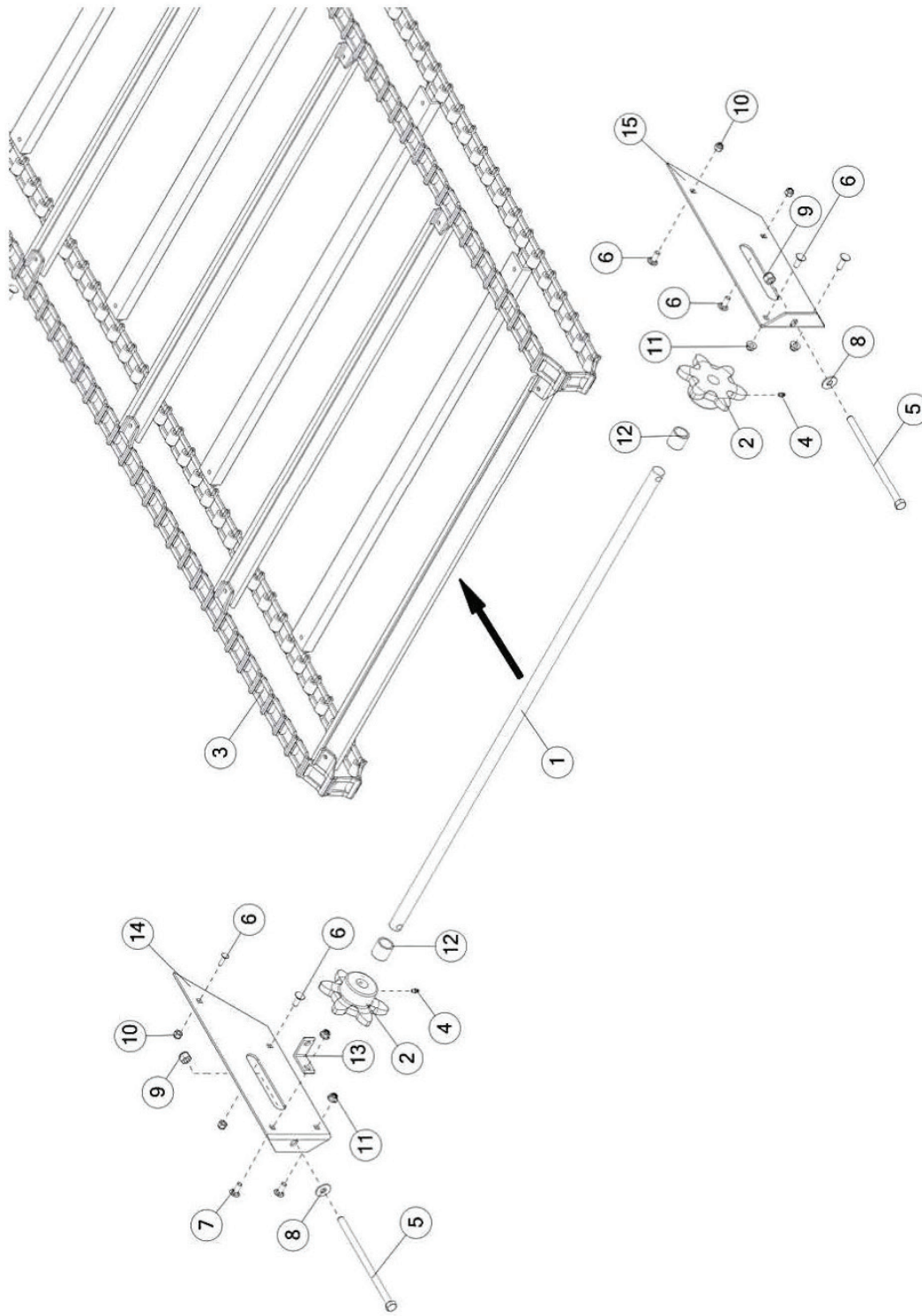


FIGURE 6

FRONT IDLER SHAFT ASSEMBLY

<u>ITEM</u>	<u>QTY</u>	<u>PART#</u>	<u>DESCRIPTION</u>
1	1	12N67	IDLER SHAFT
2	2	12N65	APRON SPOCKET 6T
3	1	80N58	COMPLETE APRON CHAIN
*	1	11S23	ATTACHMENT LINK LH 67H
*	1	11S24	ATTACHMENT LINK RH 67H
*	1	11S25	CONNECTOR LINK 67H
*	1	80N62	SLAT W/ATT LINK 67H
4	2	G89	STRAIGHT ZERK, 1/4
5	2	YBHH16190	BOLT HEX, 1/2 X 9-1/2
6	7	YBCR12010	BOLT CARRIAGE, 3/8 X 1 G5
7	1	YBCR12020	BOLT CARRIAGE, 3/8 X 1-1/4 G5
8	2	YWFL16005	WASHER FLAT, 1/2 USS
9	2	YNNY16005	NUT HEX NYLON LOCKNUT, 1/2
10	4	YNFG12006	NUT HEX, FLANGE NYLOCK, 3/8
11	4	YNFG12006	NUT HEX, FLANGE NYLOCK, 3/8
12	2	12N66	IDLER SPACER
13	1	17G177	SPRING MOUNT BRACKET
14	1	80N55	APRON CHAIN TIGHTENER RH
15	1	80N56	APRON CHAIN TIGHTENER LH

*MEANS NOT SHOWN

FIGURE 7 FLOOR ASSEMBLY

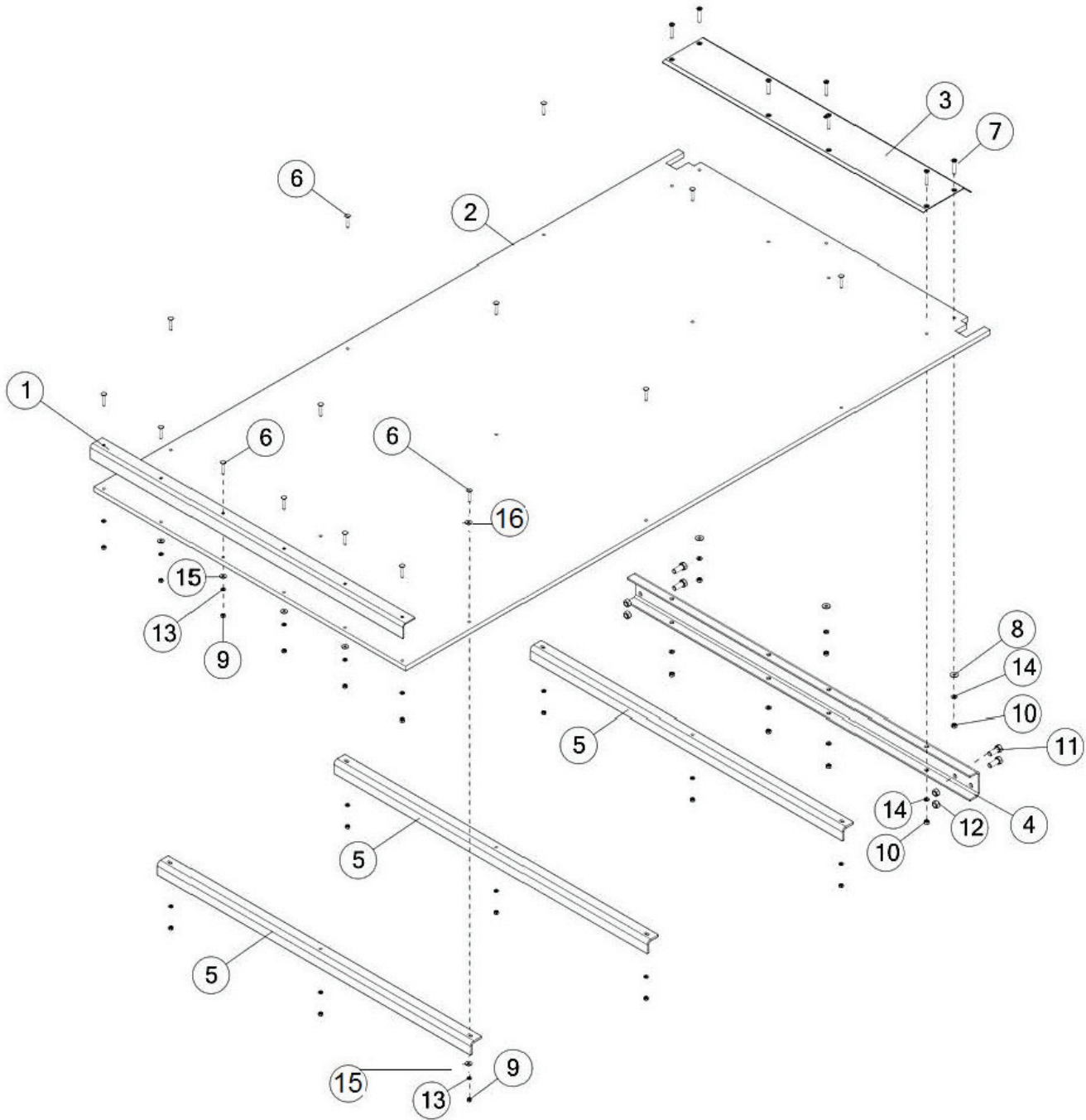


FIGURE 7 FLOOR ASSEMBLY

<u>ITEM</u>	<u>QTY</u>	<u>PART#</u>	<u>DESCRIPTION</u>
1	1	80N67	FRONT FLOOR BRACE
2	1	71430	POLY PLYWOOD
3	1	71429	BACK REAR FLOOR BRACE
4	1	71433	BACK CHANNEL BRACKET
5	3	80G5	FLOOR BRACE
6	14	YBCR08010	BOLT CARRIAGE, 1/4 X 1-1/2
7	7	YSFM10010	FLAT HEAD MACH SCREW, 5/16 X 1-3/4
8	3	YWFL10005	WASHER FLAT, 5/16 USS
9	14	YNHX08007	NUT HEX, 1/4 G5
10	7	YNHX10010	NUT HEX, 5/16 G5
11	4	YBHH16045	BOLT HEX, 1/2 X 1-1/4 G5
12	4	YNL16005	NUT HEX TOP LOCK, 1/2
13	14	YWLO08005	WASHER LOCK, 1/4
14	7	YWLO10005	WASHER LOCK, 5/16
15	12	YWFL08005	WASHER FLAT, 1/4
16	12	YWFL10005	WAHSER LOCK, 3/8

FIGURE 8 **REAR IDLER SHAFT ASSEMBLY**

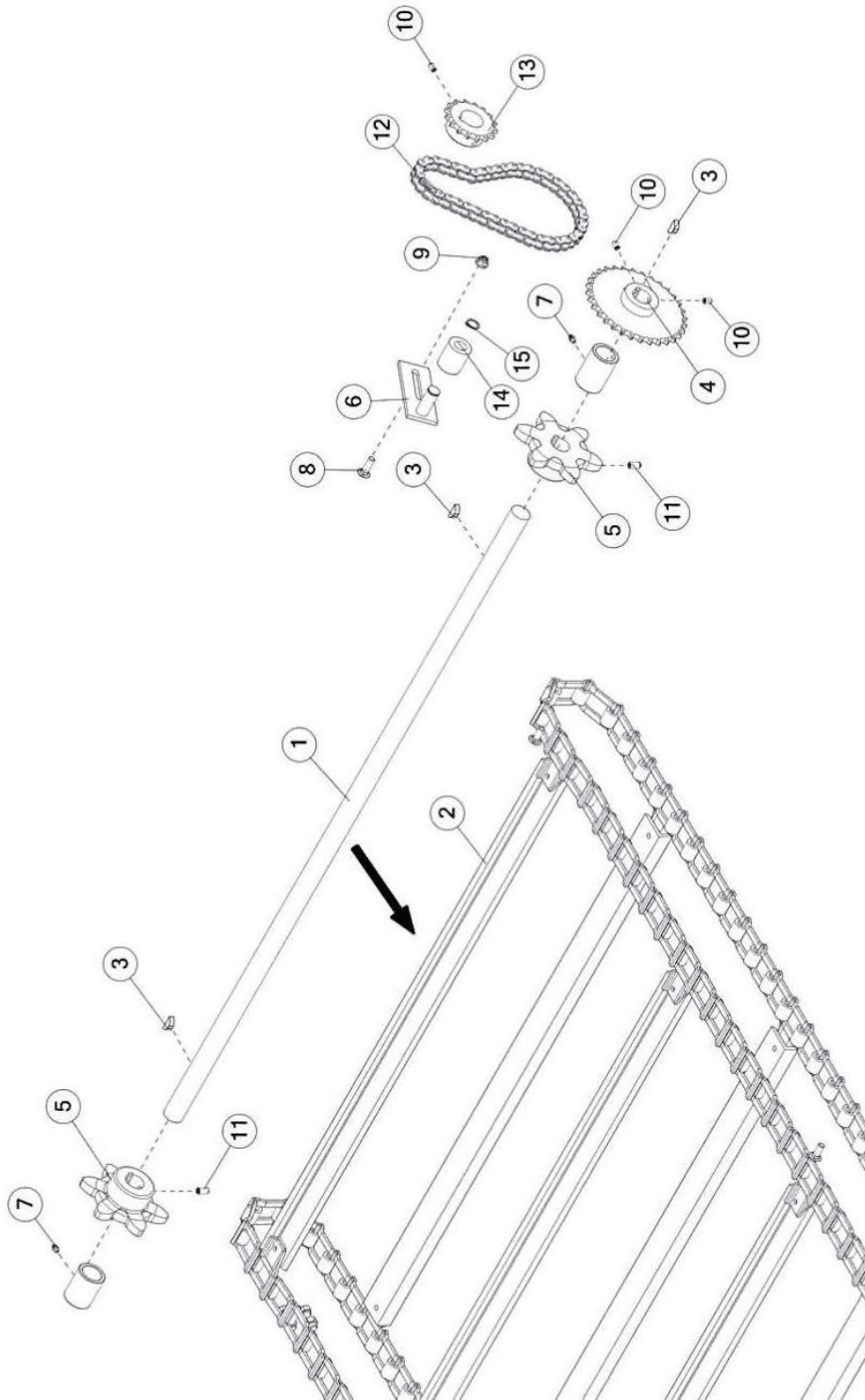


FIGURE 8

REAR IDLER SHAFT ASSEMBLY

<u>ITEM</u>	<u>QTY</u>	<u>PART#</u>	<u>DESCRIPTION</u>
1	1	67844	SHAFT
2	1	80N58	COMPLETE APRON CHAIN
3	3	G12	WOODRUFF KEY, 5/16 X 1
4	1	69791	SPROCKET
5	2	80N63	APRON DRIVE SPROCKET 6T
6	1	L10R35	TIGHTENER BRACKET
7	2	G89	STRAIGHT ZERK, 1/4
8	1	YBCR12010	BOLT CARRIAGE, 3/8 X 1 G5
9	1	YNFG12006	NUT HEX FLANGE NYLOCK, 3/8
10	3	YSKP10005	SET SCREW
11	2	YSKP12035	SET SCREW, 3/8 X 3/4
12	1	70193	ROLLER CHAIN #50
*	1	X61	CONNECTOR LINK, #50
*	1	X60	OFFSET LINK, #50
13	1	69786	SPROCKET
14	1	23N238	CHAIN TIGHTENER
15	1	10R32	SNAP RING

*MEANS NOT SHOWN

FIGURE 9
SIDE SHAFT ASSEMBLY

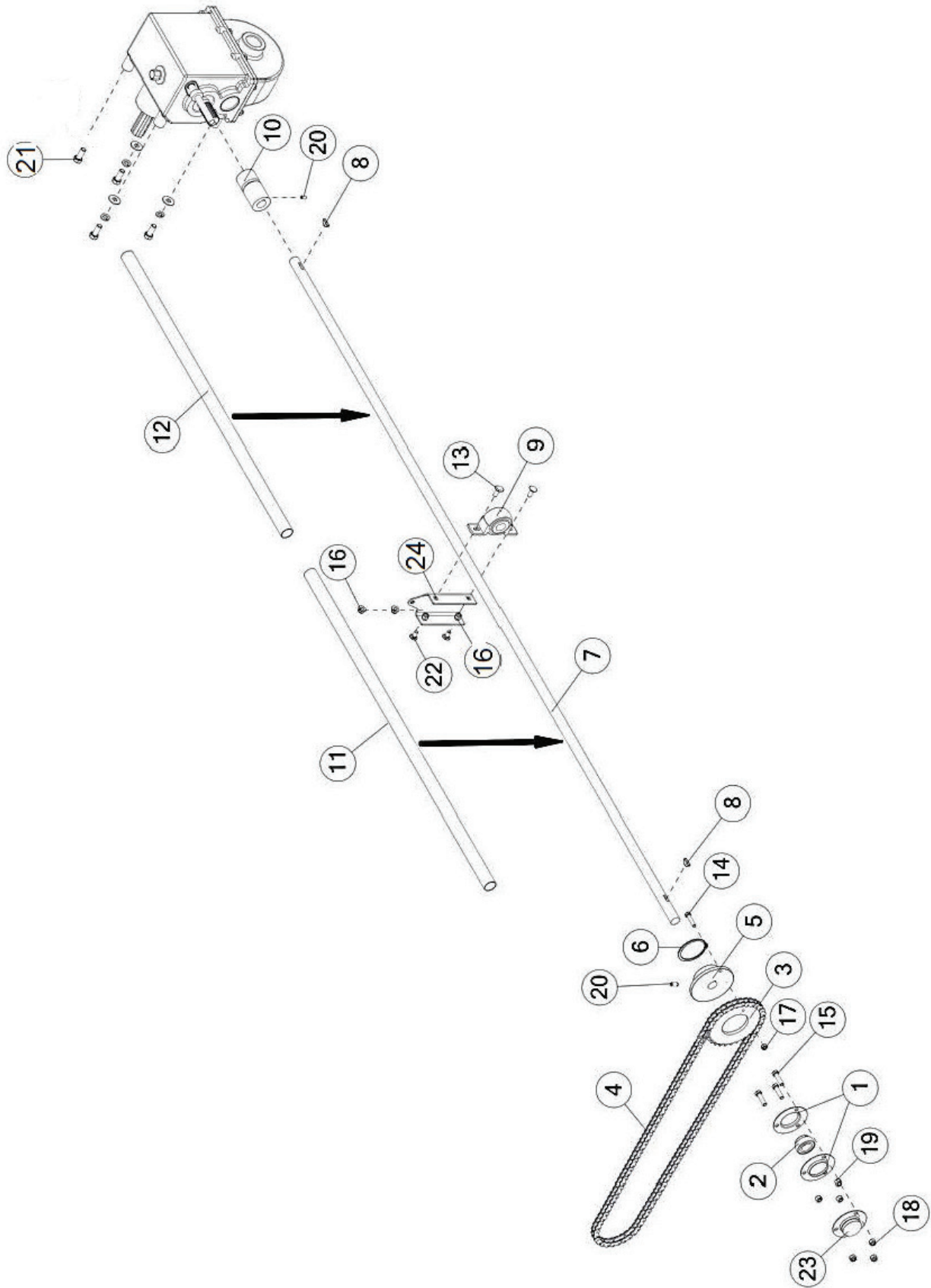


FIGURE 9

SIDE SHAFT ASSEMBLY

<u>ITEM</u>	<u>QTY</u>	<u>PART#</u>	<u>DESCRIPTION</u>
1	2	4C7	FLANGE
2	1	4C8	BEARING W/COLLAR
3	1	69785	SPROCKET
4	1	70200	ROLLER CHAIN
5	1	80N74	SHEAR HUB
6	1	23N75	EXTERNAL SNAP RING
7	1	67793	SHAFT
8	2	5B10	WOODRUFF KEY, 1/4 X 1
9	1	80N22	BEARING
10	1	69807	COUPLER
11	1	69010	TUBE
12	1	69011	TUBE
13	2	YBCR12010	BOLT CARRIAGE, 3/8 X 1 G5
14	1	YBHH10025	BOLT HEX, 5/16 X 1-1/2 G2
15	3	YBHH12025	BOLT HEX, 3/8 X 1-1/2 G5
16	2	YNFG12006	NUT HEX FLANGE NYLOCK, 3/8
17	1	YNNY10005	NUT HEX NYLON LOCKNUT, 5/16
18	3	YNNY12005	NUT HEX NYLON LOCKNUT, 3/8
19	3	YNTL12005	NUT HEX TOP LOCK, 3/8
20	2	YSKP12035	SET SCREW
21	4	YBFB16125	BOLT FLANGE, 1/2 X 1-1/4 G5
22	2	YBCR12065	BOLT CARRIAGE, 3/8 X 3/4 G5
23	1	80N15	SHAFT GUARD
24	1	70130	PLATE

FIGURE 10 SIDE SHAFT PANEL & GUARDS

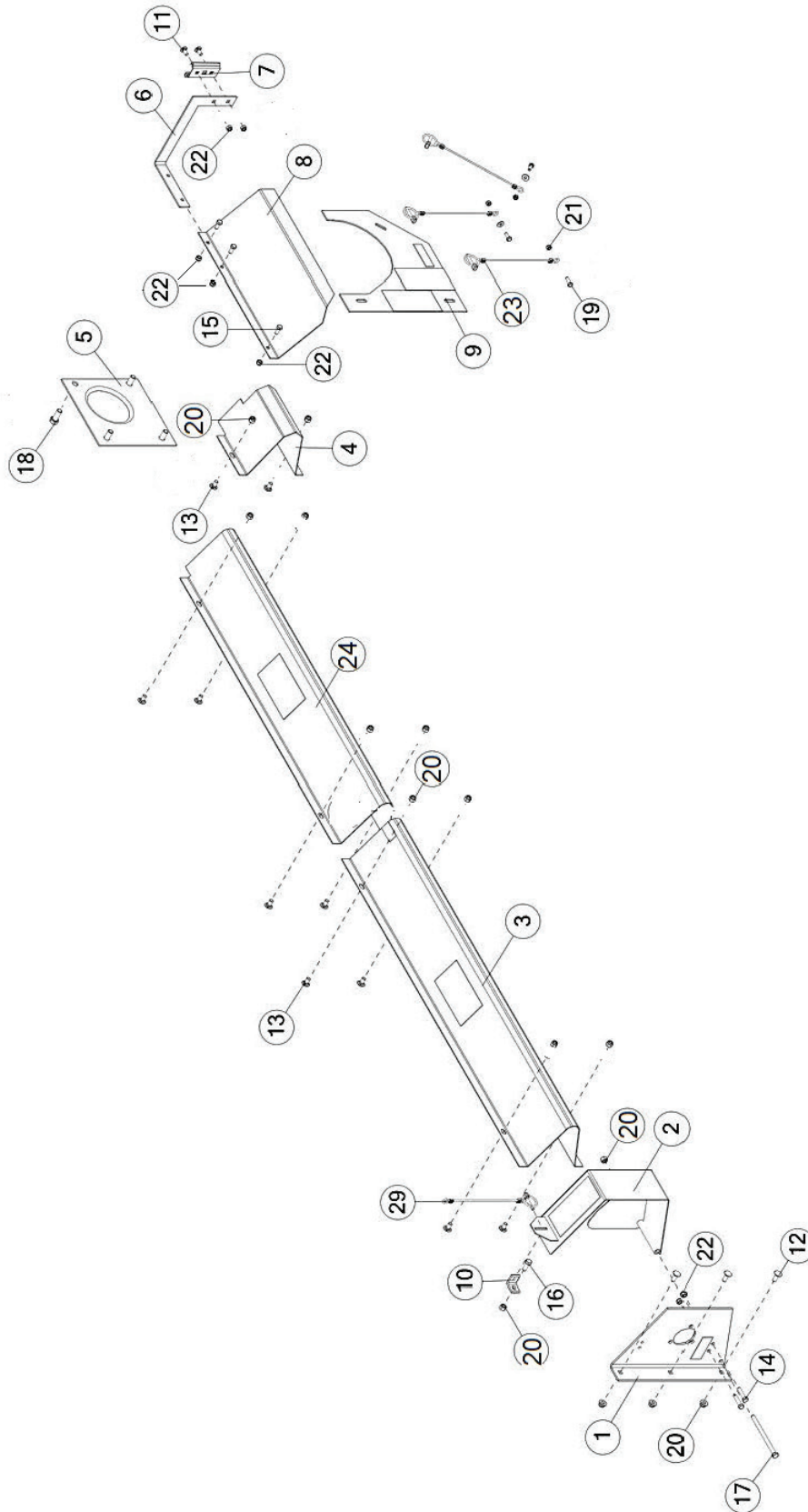


FIGURE 10

SIDE SHAFT PANEL & GUARDS

<u>ITEM</u>	<u>QTY</u>	<u>PART#</u>	<u>DESCRIPTION</u>
1	1	71000	SIDE SHAFT BRACKET W/DECALS
2	1	71156	FRONT SPROCKET SHIELD W/DECALS
3	1	72089	SIDE SHAFT FRONT SHIELD W/DECALS
4	1	71431	COUPLER SHIELD
5	1	69964	PLATE
6	1	70192	SMV BRACE
7	1	F97	SMV BRACKET
8	1	71160	GEARBOX SHIELD W/DECALS
9	1	72077	POLY SHIELD W/DECALS
10	1	F92	FRONT SHIELD BRACKET
11	2	YBCR10030	BOLT CARRIAGE, 5/16 X 3/4 G5
12	3	YBCR12010	BOLT CARRIAGE, 3/8 X 1 G5
13	10	YBCR12065	BOLT CARRIAGE, 3/8 X 3/4 G5
14	2	YBHH10025	BOLT HEX, 5/16 X 1-1/2 G2
15	3	YBHH10105	BOLT HEX, 5/16 X 3/4 G5
16	1	YBHH12010	BOLT HEX, 3/8 X 1 G5
17	1	YBHH12210	BOLT HEX, 3/8 X 5-1/2 G2
18	4	YBFB16125	BOLT FLANGE, 1/2 X 1-1/4 G5
19	3	YBFB08075	BOLT FLANGE, 1/4 X 3/4 G5
20	15	YNFG12006	NUT HEX FLANGE NYLOCK, 3/8
21	3	YNNY08005	NUT HEX NYLON LOCKNUT, 1/4
22	5	YNFG10005	NUT FLANGE, 5/16 GF
23	4	S122	LYNCH PIN W/LANYARD
24	1	72090	SIDE SHAFT FRONT SHIELD W/DECALS

FIGURE 11
HUB & SPINDLE ASSEMBLY

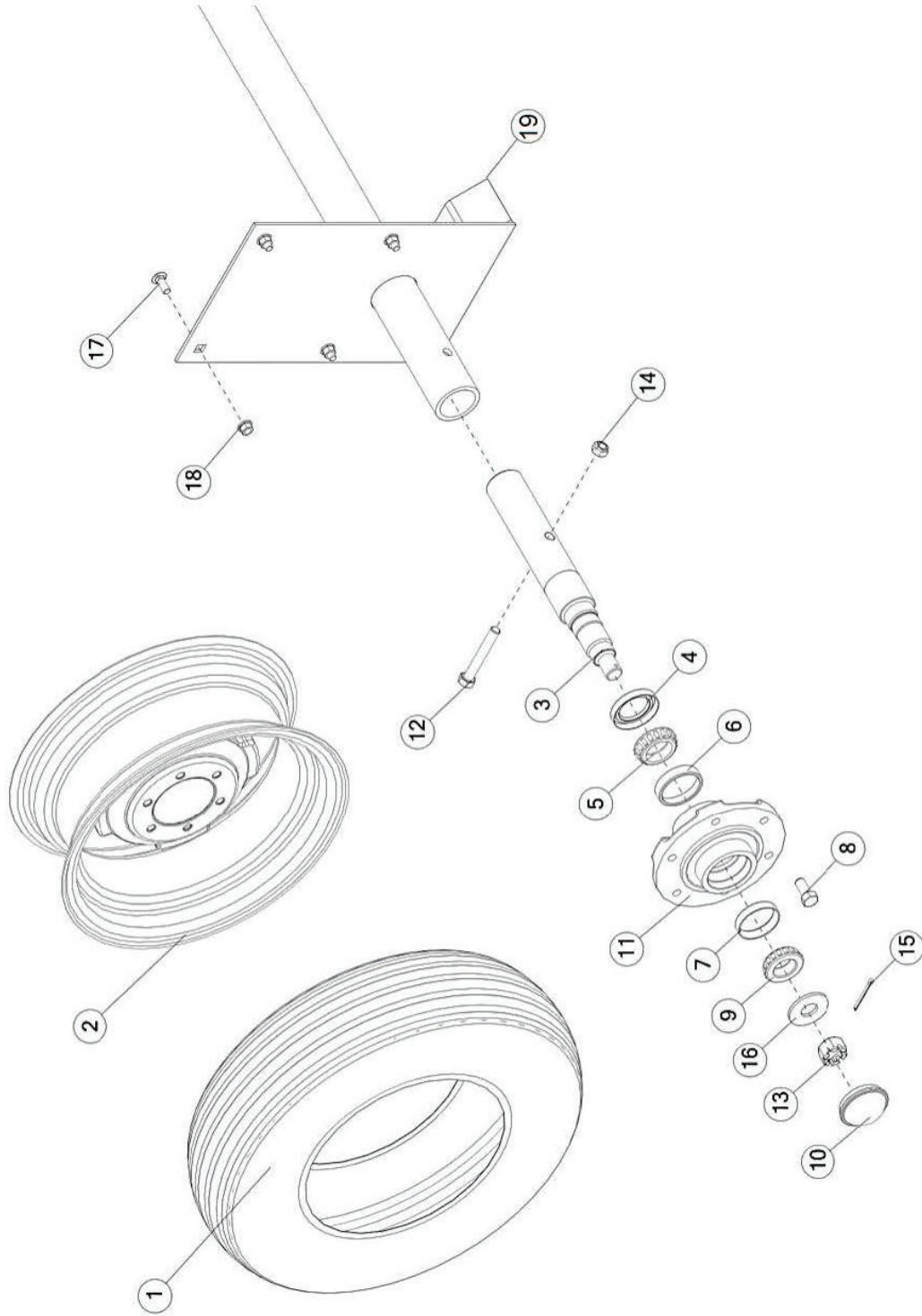


FIGURE 11

HUB & SPINDLE ASSEMBLY

<u>ITEM</u>	<u>QTY</u>	<u>PART#</u>	<u>DESCRIPTION</u>
1	2	80N93	TIRE
2	2	71174	WHEEL
*	2	71195	TIRE AND WHEEL
3	2	12N16	SPINDLE
4	2	12N17	SEAL
5	2	12N18	INNER BEARING
6	2	12N19	INNER RACE
7	2	17G146	OUTER RACE
8	12	YBWL16005	BOLT WHEEL, 1/2 X 1 G5
9	2	17G145	OUTER BEARING
10	2	17G144	HUB CAP
11	2	12N20	HUB W/RACES
12	2	YBHH16115	BOLT HEX, 1/2 X 3-1/2 G5
13	2	YNSL28005	NUT HEX SLOTTED, 7/8
14	2	YNL16005	NUT HEX TOP LOCK, 1/2
15	2	YPCT05010	COTTER PIN, 5/32 X 1-1/2
16	2	YWFL28005	WASHER FLAT, 7/8 USS
17	8	YBCR16005	BOLT CARRIAGE, 1/2 X 1 G5
18	8	YNFG16003	NUT FLANGE, 1/2 GF
19	1	80N54	AXLE

*MEANS NOT SHOWN

FIGURE 12
BEATER ASSEMBLY

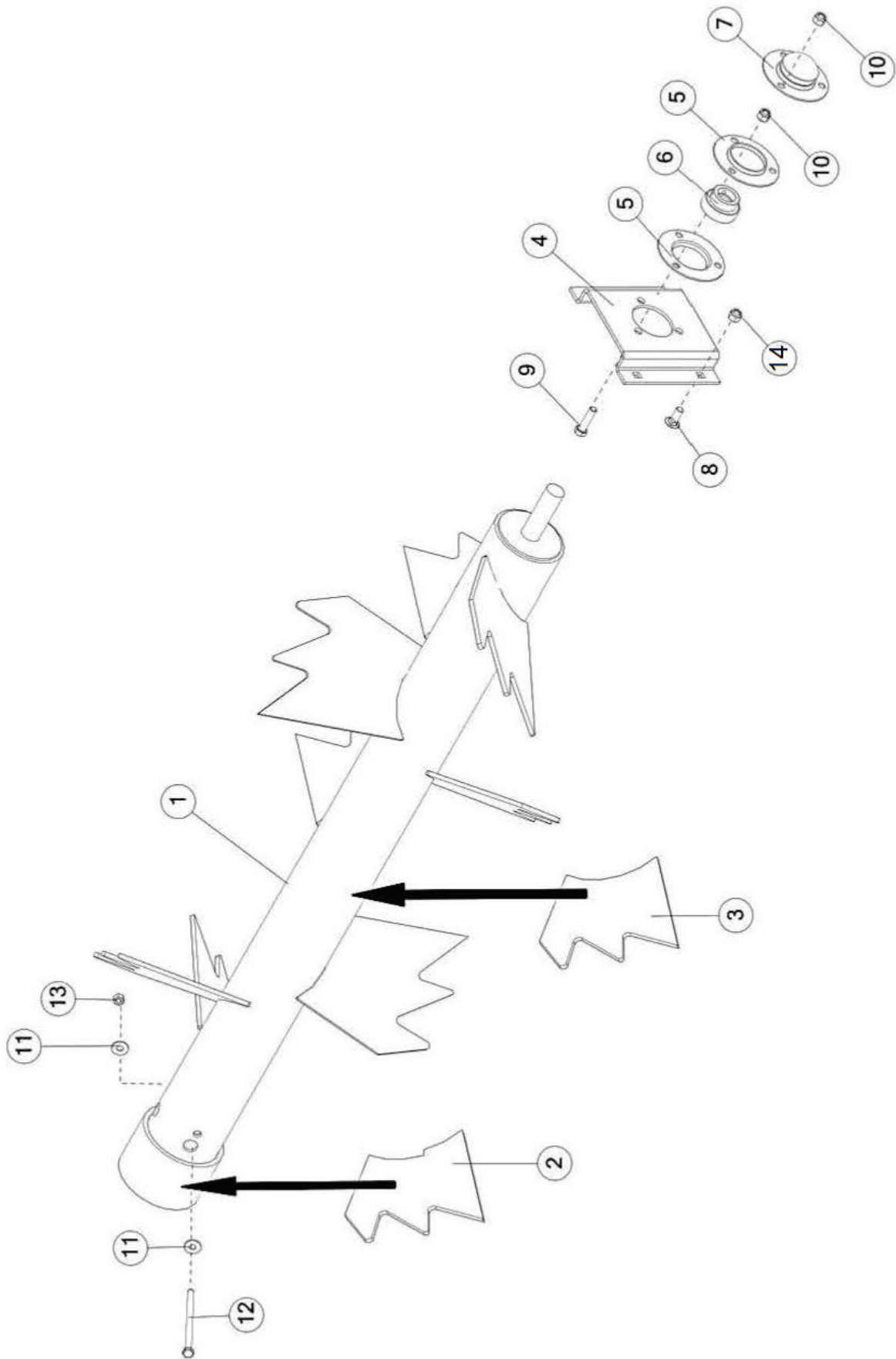


FIGURE 12
BEATER ASSEMBLY

<u>ITEM</u>	<u>QTY</u>	<u>PART#</u>	<u>DESCRIPTION</u>
1	1	71392	BEATER
2	1	71396	BEATER BLADE
3	9	71391	BEATER BLADE
4	1	80N52	BEATER BEARING MOUNT
5	2	4C7	FLANGE BEARING
6	1	4C8	BEARING W/COLLAR
7	1	80N15	SHAFT GUARD
8	4	YBCR12010	BOLT CARR, 3/8 X 1 G5
9	3	YBHH12025	BOLT, 3/8-16 X 1-1/2 G5
10	6	YNNY12005	HEX NUT NYLON LOCKNUT, 3/8
11	1	YNTL10005	WASHER FLAT, 5/16
12	1	YBHH10130	BOLT, 5/16 X 5 G5
13	1	YNTL10005	HEX NUT TOP LOCK, 5/16
14	4	YNFG12006	NUT FLANGE, 3/8 GF

FIGURE 13 GEARBOX

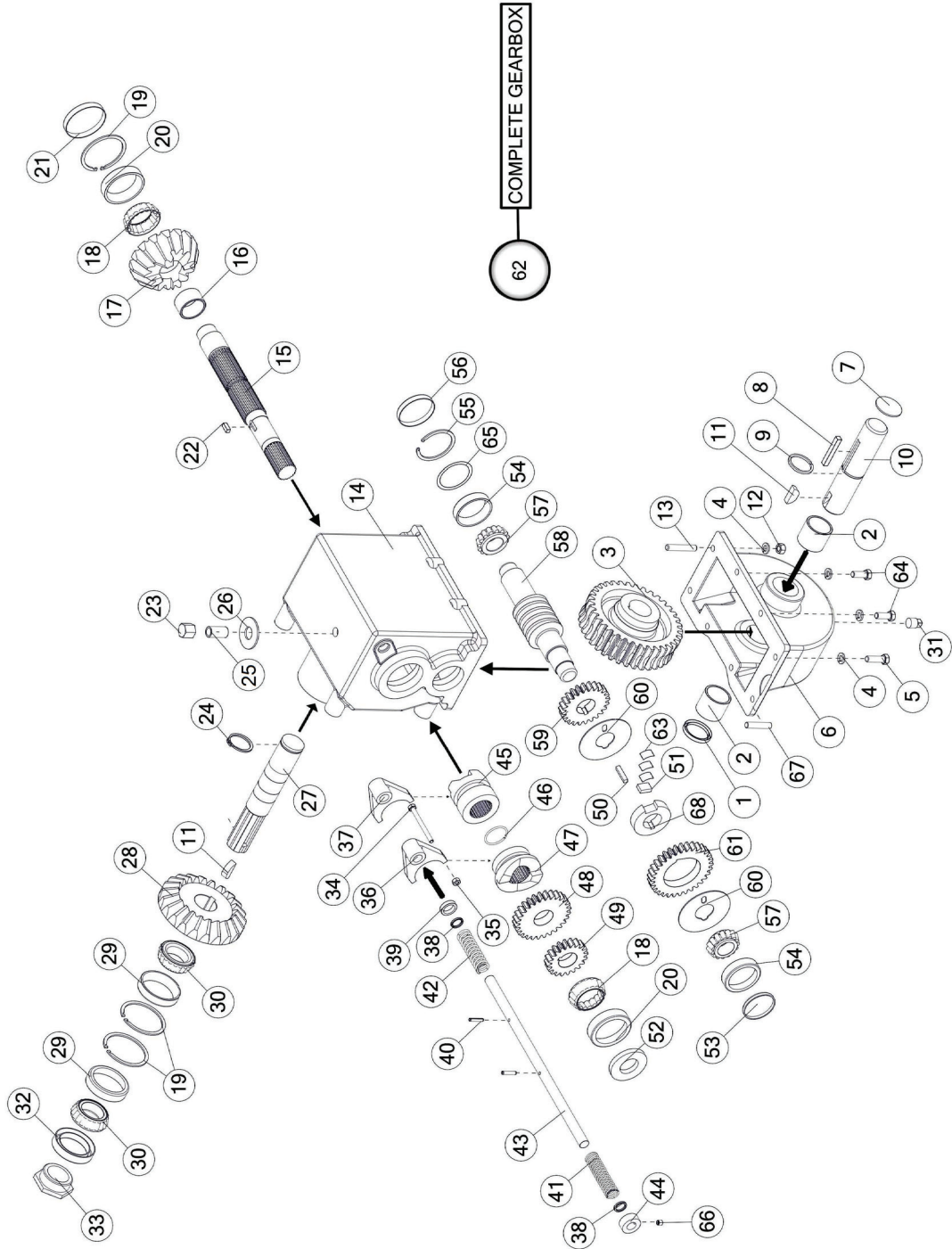


FIGURE 13 GEARBOX

<u>ITEM</u>	<u>QTY</u>	<u>PART#</u>	<u>DESCRIPTION</u>
1	1	17G133	SEAL
2	2	17G134	BRONZE BUSHING
3	1	17G137	WORM GEAR 36T
4	8	YWLO12005	WASHER LOCK, 3/8
5	2	YBHH12035	BOLT HEX, 3/8 X 1-1/4 G5
6	1	17G107	LOWER GEARBOX HOUSING
7	1	17G139	CAP
8	1	17G132	SQUARE KEY
9	1	17G135	SNAP RING
10	1	17G136	OUTPUT SHAFT
11	2	5B9	WOODRUFF KEY
12	2	YNHX12005	NUT HEX, 3/8 G2
13	2	17G140	STUD
14	1	17G99	UPPER GEARBOX HOUSING
15	1	17G108A	INPUT SHAFT
16	1	17G111	BRONZE BUSHING
17	1	17G110	BEVEL GEAR 16T
18	2	G18	TAPER BEARING
19	3	G55	INTERNAL SNAP RING
20	2	18VB25	RACE
21	1	G68	CAP
22	1	17G116	SQUARE KEY
23	1	17G58	VENT CAP
24	1	12V62	HEAVY DUTY EXTERNAL SNAP RING
25	1	23N288	PIPE NIPPLE
26	1	YWFL24005	WASHER FLAT, 3/4
27	1	17G104	OUTPUT SHAFT
28	1	17G101	BEVEL GEAR 22T
29	2	17G102	RACE
30	2	17G103	TAPER BEARING
31	1	G65	PIPE PLUG, 3/8 NPT
32	1	17G105	SEAL
33	1	17G106	NUT HEX, 1-1/2
34	1	YBHH08090	BOLT HEX, 1/4 X 3 G2
35	1	YNHX08007	HEX NUT, 1/4 G5

FIGURE 13 GEARBOX

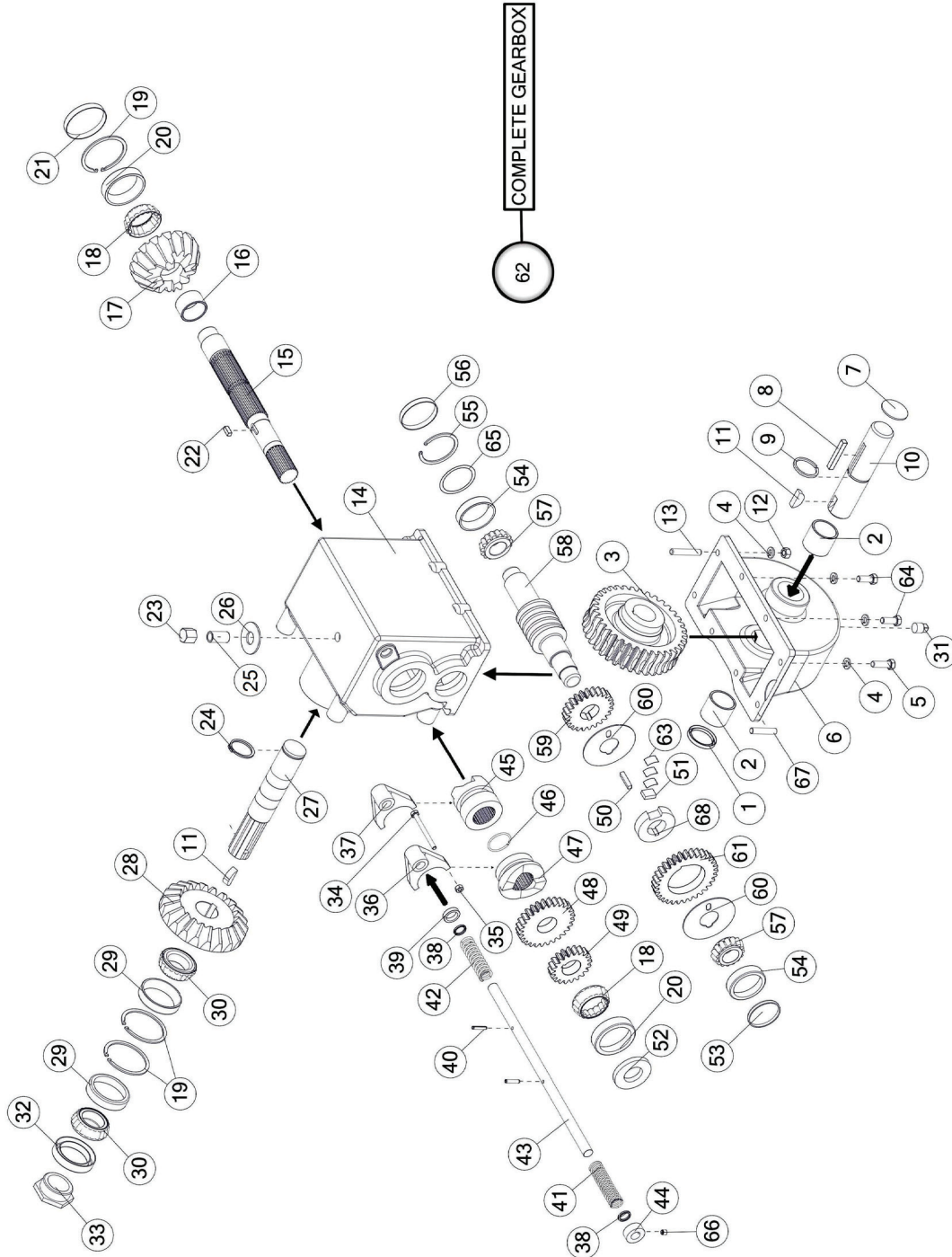


FIGURE 13 GEARBOX

<u>ITEM</u>	<u>QTY</u>	<u>PART#</u>	<u>DESCRIPTION</u>
36	1	17G125	HIGH SPEED SHIFTER YOKE
37	1	17G129	BEATER SHIFTER YOKE
38	2	17G121	SEAL
39	1	17G122	TUBE
40	2	17G123	ROLL PIN
41	1	17G128	SPRING
42	1	17G130	SPRING
43	1	17G131	SHIFTER ROD
44	1	17G171	LOCK COLLAR, 1-1/4
45	1	17G109	BEATER CLUTCH
46	1	17G169A	SNAP RING
47	1	17G119	HIGH SPEED CLUTCH
48	1	17G118	GEAR 28T
49	1	17G115	LOW SPEED GEAR
50	1	S135	SQAURE KEY
51	1	17G124	CLUTCH DOG
52	1	S136	SEAL
53	1	17G100	CAP
54	2	3G18	RACE
55	1	3G19	INTERNAL SNAP RING
56	1	G90	CAP
57	2	L3G24	TAPER BEARING
58	1	17G120	SHAFT
59	1	17G117	HIGH SPEED GEAR
60	2	17G112	WASH FLAT
61	1	17G113	LOW SPEED GEAR
62	1	17G142	COMPLETE GEARBOX
63	3	17G126	DOG SPRING
64	4	YBHH12010	BOLT HEX, 3/8 X 1 G5
65	1	G92	STAINLESS SHIM
66	1	YSKP10015	SET SCREW
67	1	17G138	STUD
68	1	17G114	LOW SPEED CLUTCH

FIGURE 14
PTO WEASLER

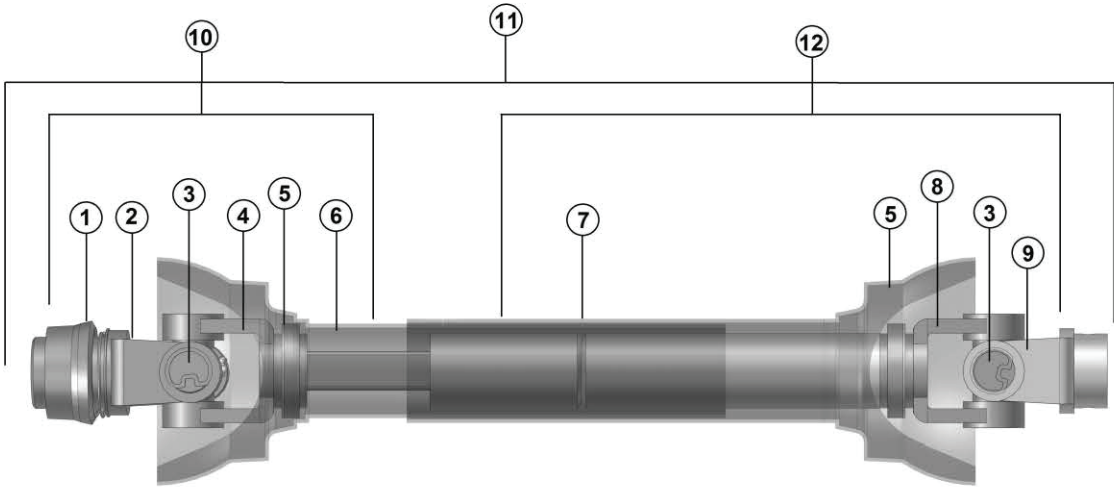


FIGURE 14
PTO WEASLER

<u>ITEM</u>	<u>QTY</u>	<u>PART#</u>	<u>DESCRIPTION</u>
1	1	S225	SPRING-LOK REPAIR KIT
2	1	S379	SPRING-LOK YOKE ASSEMBLY
3	2	T274	12P CROSS AND BEARING KIT
4	1	80N88	YOKE AND SHAFT
5	2	S206	GUARD REPAIR KIT (NOT SHOWN)
6	1	80N90	INNER GUARD
7	1	80N89	OUTER GUARD
8	1	80N91	YOKE AND TUBE
9	1	80N92	YOKE
10	1	80N84	JOINT & SHAFT HALF ASSEMBLY W/ GUARD
11	1	80N83	COMPLETE PTO ASSEMBLY
12	1	80N86	JOINT & TUBE HALF ASSEMBLY W/ GUARD
*	1	S402	PTO SAFETY MANUAL

***MEANS NOT SHOWN**

FIGURE 15
PTO BENZI

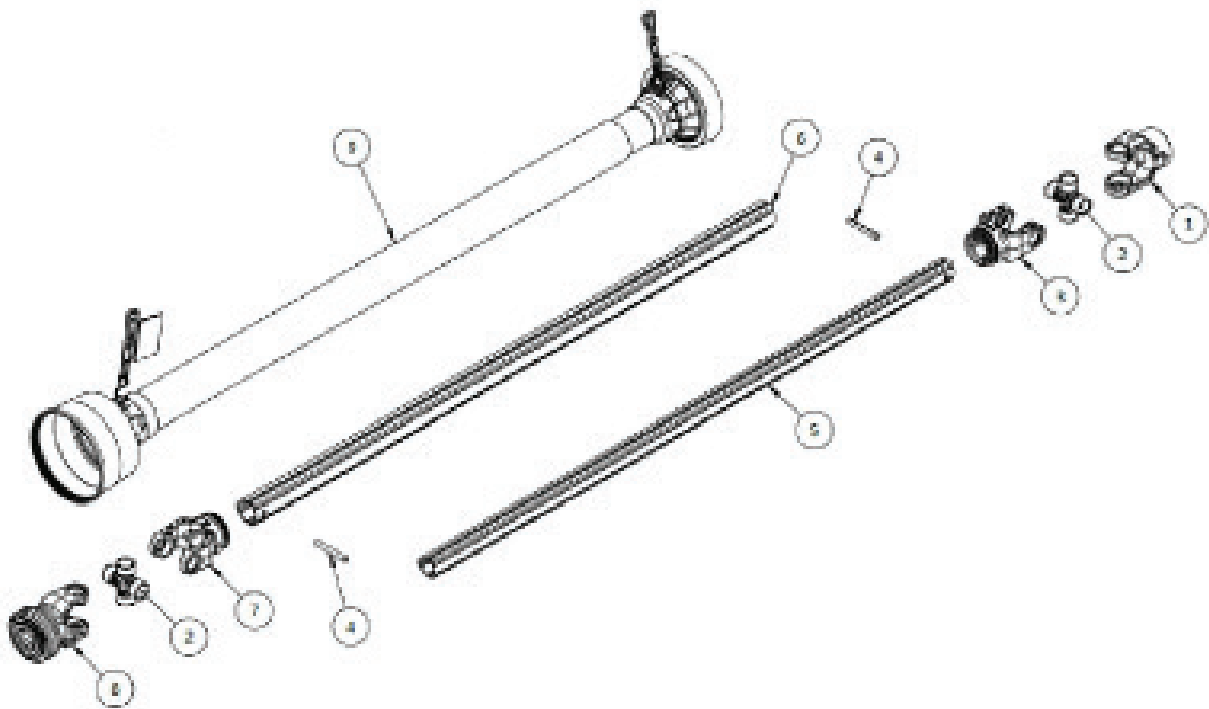


FIGURE 15 **PTO BENZI**

<u>ITEM</u>	<u>QTY</u>	<u>PART#</u>	<u>DESCRIPTION</u>
1	1	84679	YOKE
2	2	84672	U JOINT
3	1	84673	YOKE
4	2	YPEX10250	EXPANSION PIN, 5/16 X 2-1/2
5	1	84680	INNER TUBE
6	1	84681	OUTER TUBE
7	1	84676	YOKE
8	1	84677	YOKE
9	1	84682	GUARD KIT
*	1	80N83	COMPLETE PTO

***MEANS NOT SHOWN**

FIGURE 16
OPTIONAL PAN

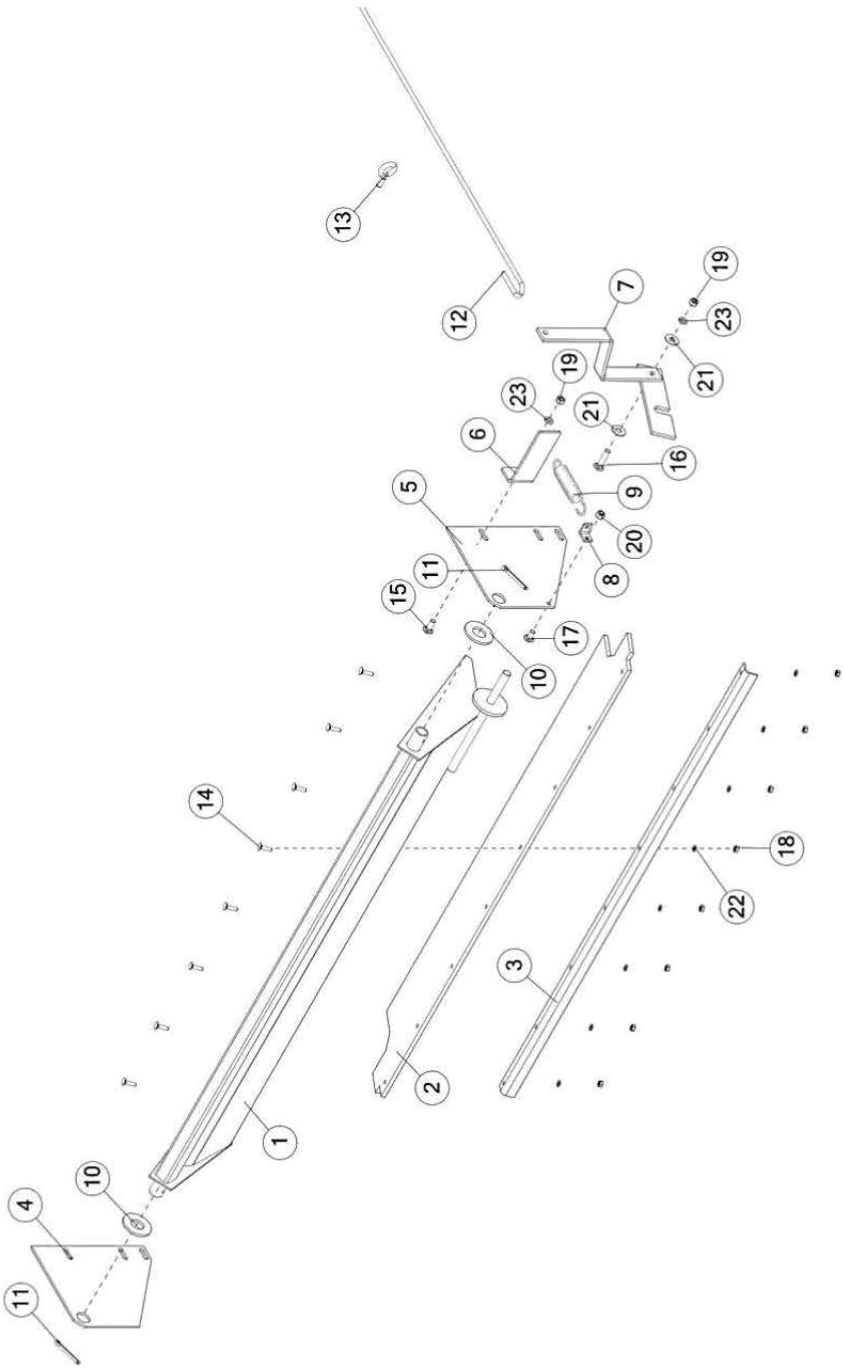


FIGURE 16

OPTIONAL PAN

<u>ITEM</u>	<u>QTY</u>	<u>PART#</u>	<u>DESCRIPTION</u>
1	1	80N1	PAN
2	1	12N53	PAN RUBBER
3	1	12N52	RUBBER FLAP ANGLE
4	1	80N2	PAN PLATE LH
5	1	80N3	PAN PLATE RH
6	1	80N82	PAN HANDLE STOP
7	1	5N67	PAN HANDLE
8	1	R26	SPRING ANGLE
9	1	R27	SPRING
10	2	R3	PAN SPACER
11	2	YPCT08007	COTTER PIN, 1/4 X 2
12	1	80N6	TRIP ROPE
13	1	YBTE12005	TURNED EYE BOLT, 3/8 X 1
14	8	YBCR08005	BOLT CARRIAGE, 1/4 X 1 G5
15	1	YBCR12010	BOLT CARRIAGE, 3/8 X 1 G5
16	1	YBCR12030	BOLT CARRIAGE, 3/8 X 1-3/4 G5
17	1	YBCR12065	BOLT CARRIAGE, 3/8 X 3/4 G5
18	8	YNHX08005	NUT HEX, 1/4
19	2	YNHX12005	NUT HEX, 3/8 G2
20	1	YNTL12005	NUT HEX TOP LOCK, 3/8
21	1	YWFL14005	WASHER FLAT, 7/16
22	8	YWLO08005	WASHER LOCK, 1/4
23	2	YWLO12005	WASHER LOCK, 3/8

CHANGE NOTES

1. ADDED BENZI PTO TO FIGURE 15.
2. ADDED/CHANGED HARDWARE FIGURE 1, 3, 4, 5, 6, 7, 9, 10, 11, 12

H&S MFG. CO.

products approved

for the

FEMA

SEAL OF QUALITY

