



PARTS BOOK

S2213

MANURE SPREADER

Part #92175

Rev. #02

HSMFG121223

Starting Ser. #422PD13001



TABLE OF CONTENTS

FIGURE #	CONTENTS	PAGE #
*	INSTRUCTIONS FOR ORDERING PARTS	1
1	FRONT POLE & COMPONENTS	2
2	FRONT SHIELD & COMPONENTS	3
3	FRONT SHAFT & COMPONENTS	4-5
4	SHIFTING LINKAGES & COMPONENTS	6-7
5	SIDE SHIELDS & COMPONENTS	8
6	GEAR BOX SHIELD & COMPONENTS	9
7	SIDE SHAFT & COMPONENTS	10-11
8	GEAR BOX SPROCKETS & COMPONENTS	12
9	BEATER & COMPONENTS	13
10	WHEEL & HUB COMPONENTS	14-15
11	FRONT PANEL & COMPONENTS	16-17
12	FRONT FRAME & COMPONENTS	18-19
13	REAR FRAME & COMPONENTS	20-21
14	FRONT SPLASH GUARD	22-23
15	SIDE PANEL & COMPONENTS	24-25
16	FLOOR	26-27
17	CHAIN	28-29
18	PTO	30-31
19	GEAR BOX	32-33
20	OPTIONAL REAR PAN (MSO3B3)	34-35
21	OPTIONAL TOP BEATER (MSOTB175)	36-39
22	OPTIONAL TOP BEATER (MSOTB175)	40-41
23	OPTIONAL HYDRAULIC ENDGATE (MSO130HE)	42-43
*	PARTS NOTES	44



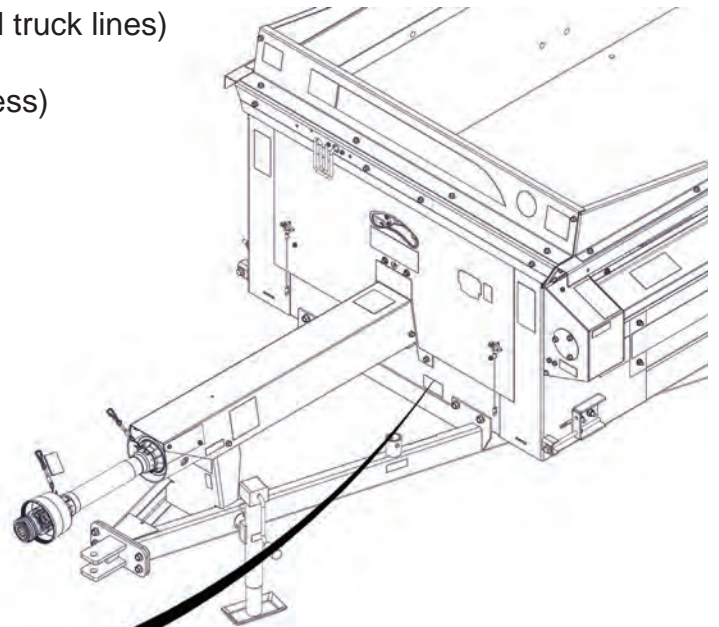
INSTRUCTIONS FOR ORDERING PARTS

All service parts should be ordered through your authorized H&S dealer. Your Dealership will be able to give you faster service if you will provide them with the following:

1. All references to left or right apply to the machine as viewed from the rear.
2. Parts should not be ordered from illustration only. Please order complete part number.
3. If your dealer has to order parts - give shipping instructions:

VIA truck - large pieces (please specify local truck lines)

VIA United Parcel Service (include full address)



H&S MFG. CO. INC. MARSHFIELD, WIS.	
MOD. NO.	<input type="text"/>
SER. NO.	<input type="text"/>
DESCR.	<input type="text"/>

PLEASE RECORD NUMBERS FOR YOUR UNIT FOR QUICK REFERENCE

H&S IS CONTINUALLY STRIVING TO IMPROVE ITS PRODUCTS

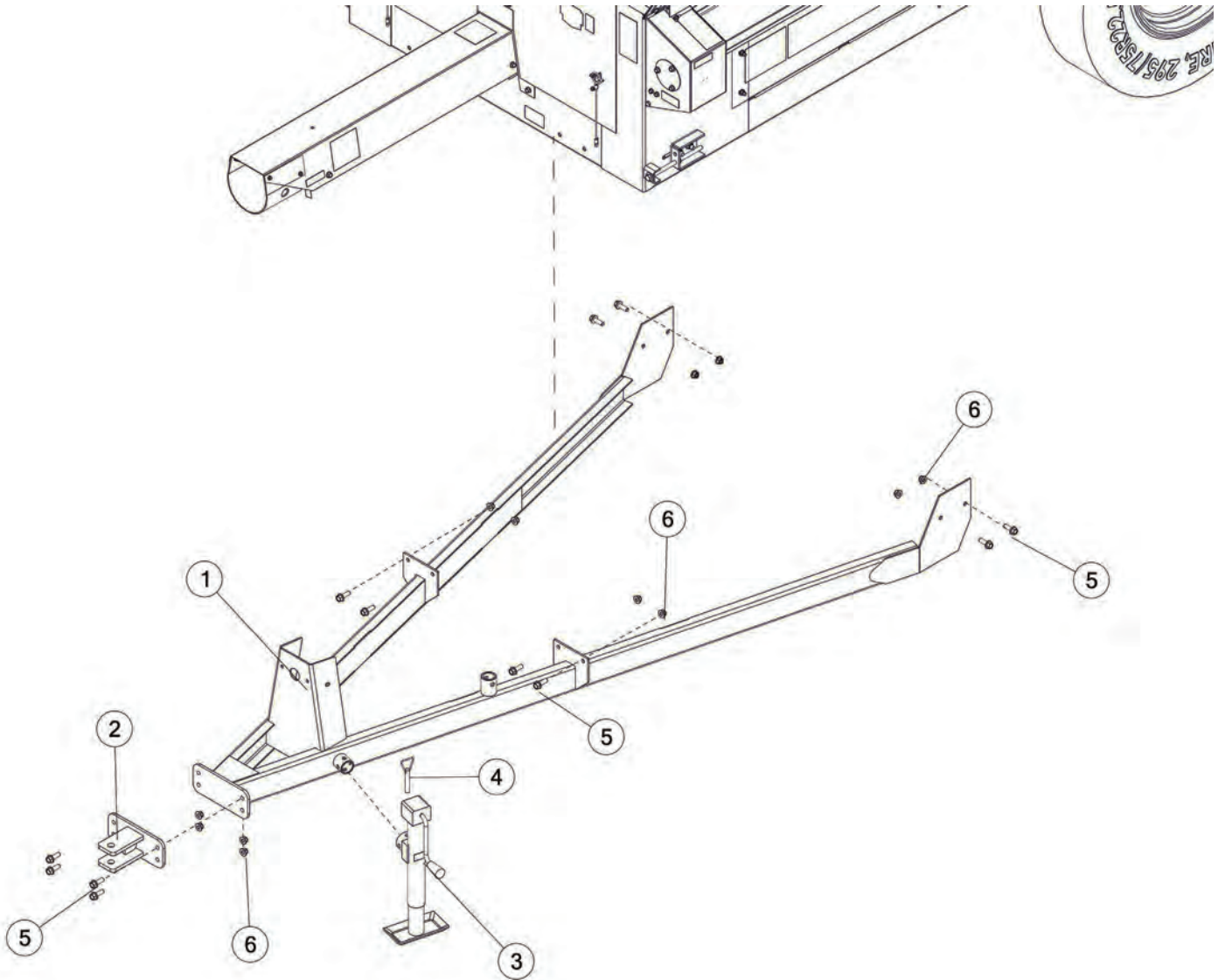
We must, therefore, reserve the right to make improvements or changes whenever it becomes practical to do so, without incurring any obligation to make changes or additions to the equipment previously sold.





FIGURE 1

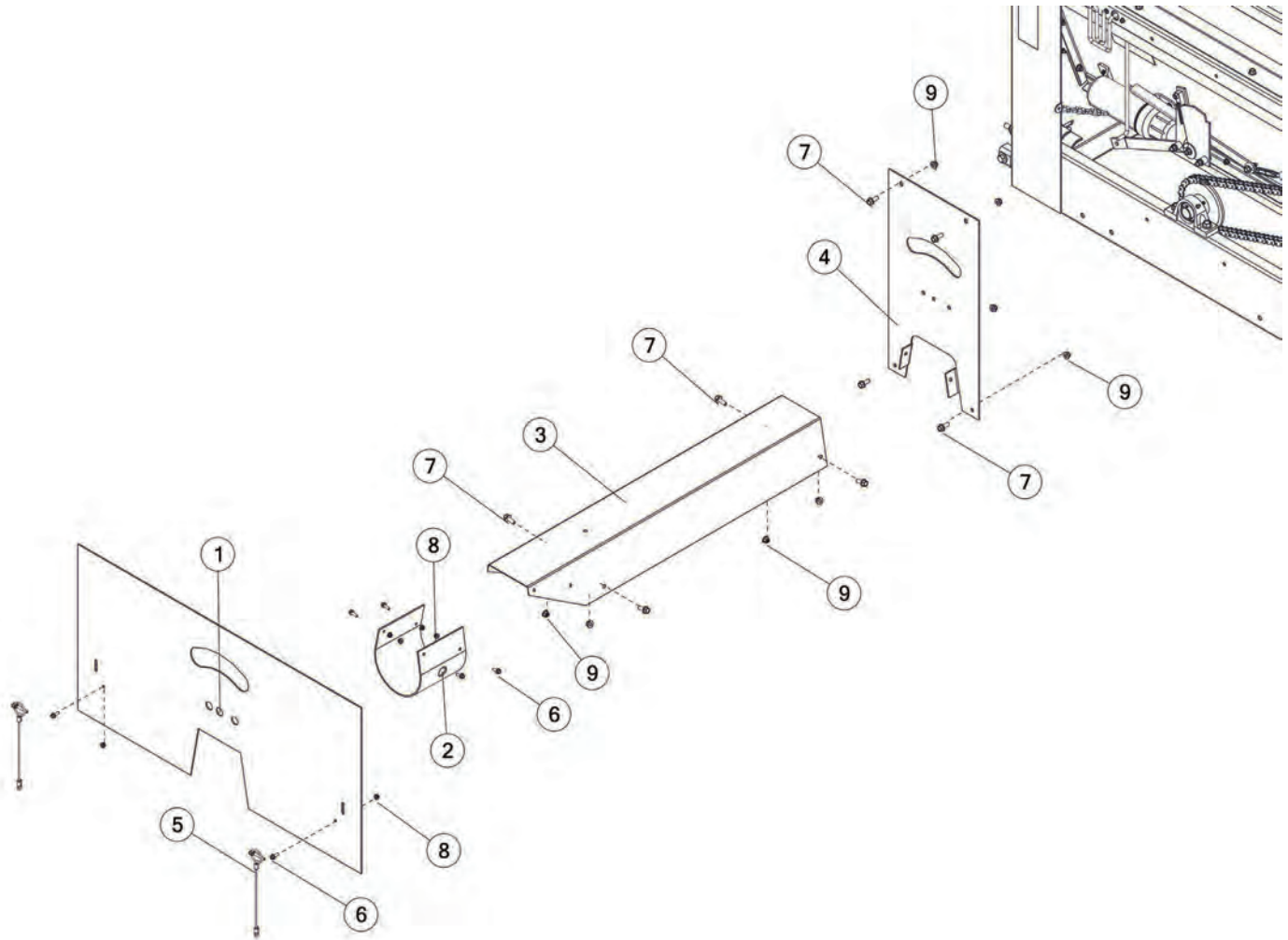
FRONT POLE & COMPONENTS



REF #	PART #	DESCRIPTION	QTY
1	92138	POLE	1
2	91186	HITCH	1
3	12N116	SIDE WIND JACK, 2000#	1
4	12N117	JACK PIN	1
5	YBFB16150	BOLT FLANGE, 1/2 X 1-1/2 G5	12
6	YNFG16003	NUT FLANGE, 1/2 GF	12
*	SC10100	SAFETY CHAIN, 10,100 LB	1



FIGURE 2 FRONT SHIELD & COMPONENTS



REF #	PART #	DESCRIPTION	QTY
1	91654B	FRONT POLY SHIELD W/DECALS	1
2	F54	PTO RUBBER	1
3	91639B	FRONT SHAFT SHIELD W/DECALS	1
4	91636	FRONT PANEL	1
5	S122	LYNCH PIN W/CABLE	2
6	YBFB08075	BOLT FLANGE, 1/4 X 3/4 G5	6
7	YBFB12003	BOLT FLANGE, 3/8 X 1 G5 ZC	8
8	YNFG08010	NUT FLANGE , 1/4 GF	6
9	YNFG12006	NUT FLANGE, 3/8 GF	8



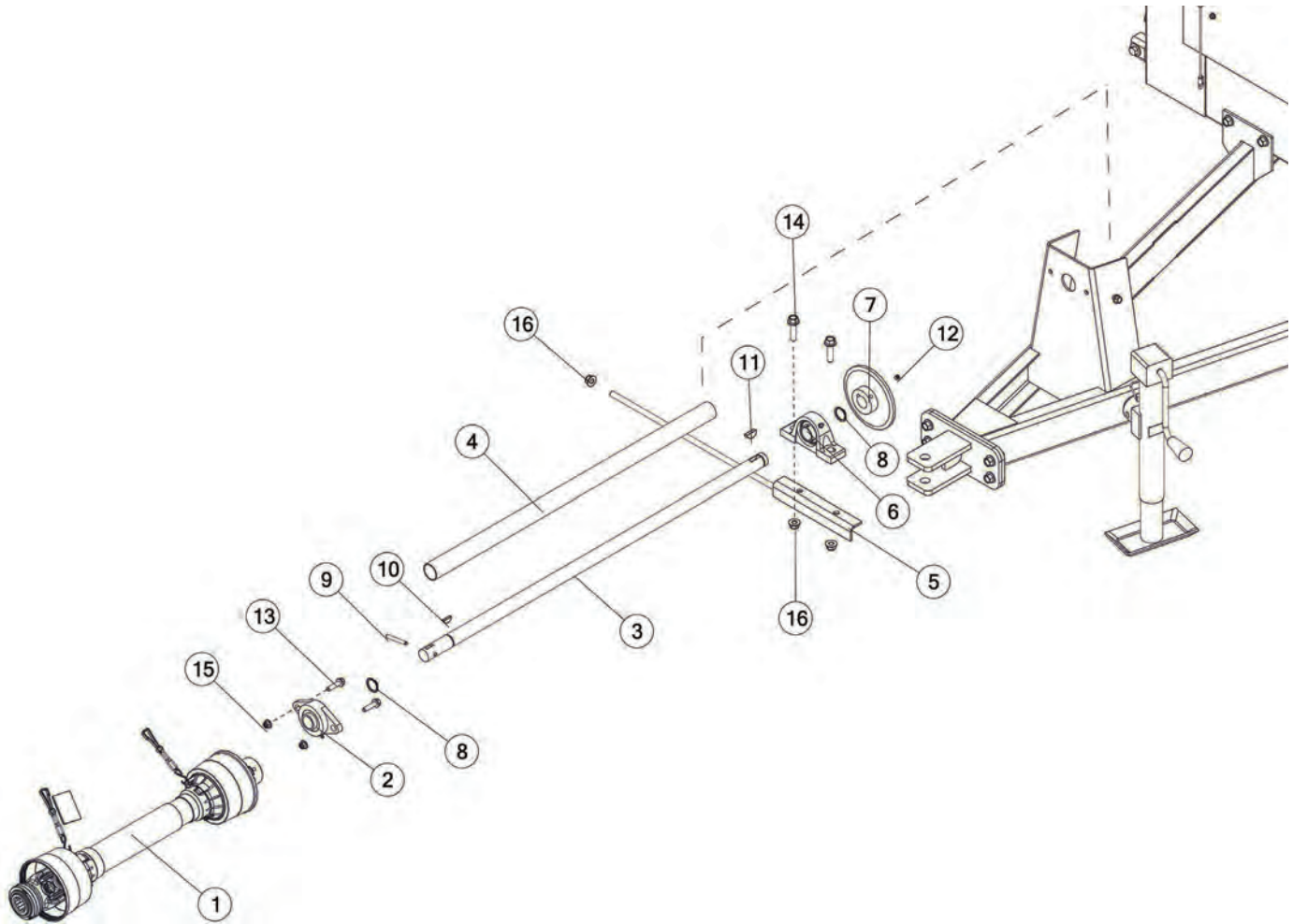




FIGURE 3 FRONT SHAFT & COMPONENTS

REF #	PART #	DESCRIPTION	QTY
1	12N102Z	PTO COMPLETE, M	1
2	12N29	FLANGE BEARING	1
3	17G50	FRONT SHAFT	1
4	17G179	FRONT SHAFT PVC GUARD	1
5	17G48	TIGHTENER ROD	1
6	17G7	PILLOW BLOCK BEARING	1
7	23N70	SPROCKET, 25T	1
8	F73	SNAP RING, 1-1/4IN	2
9	YPEX10250	EXPANSION PIN, 5/16 X 2-1/2	1
10	5B10	WOODRUFF KEY, 1/4 X 1	1
11	5B9	WOODRUFF KEY, 3/8 X 1-1/4	1
12	YSKP12025	SCREW SET SOCKET, KNURLED CUP PT, 3/8 X 3/8	1
13	YBFB12150	BOLT FLANGE, 3/8 X 1-1/2 G5	2
14	YBFB16200	BOLT FLANGE, 1/2 X 2 G5	2
15	YNFG12006	NUT FLANGE, 3/8 GF	2
16	YNFG16003	NUT FLANGE, 1/2 GF	3





FIGURE 4 SHIFTING LINKAGES & COMPONENTS

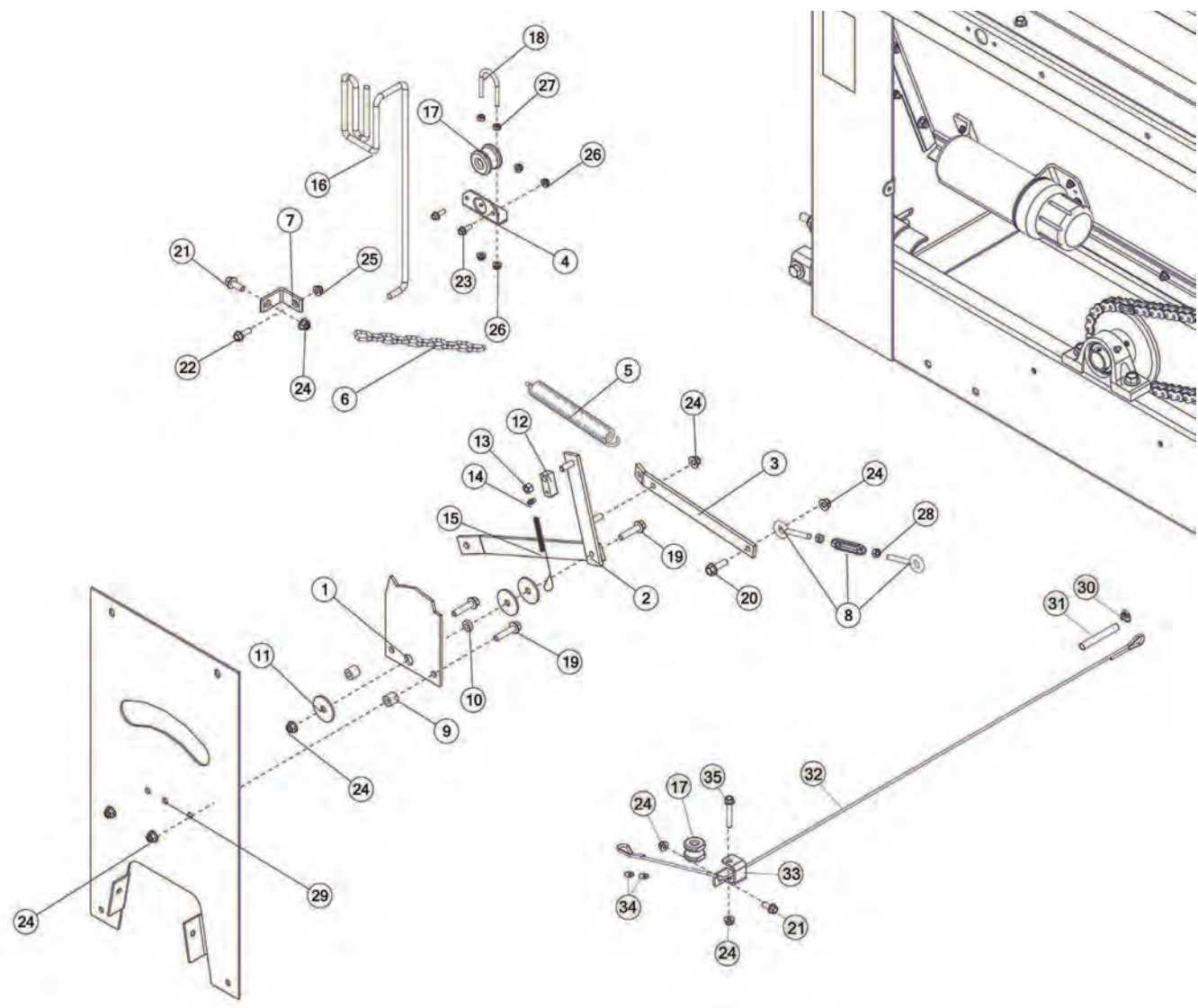


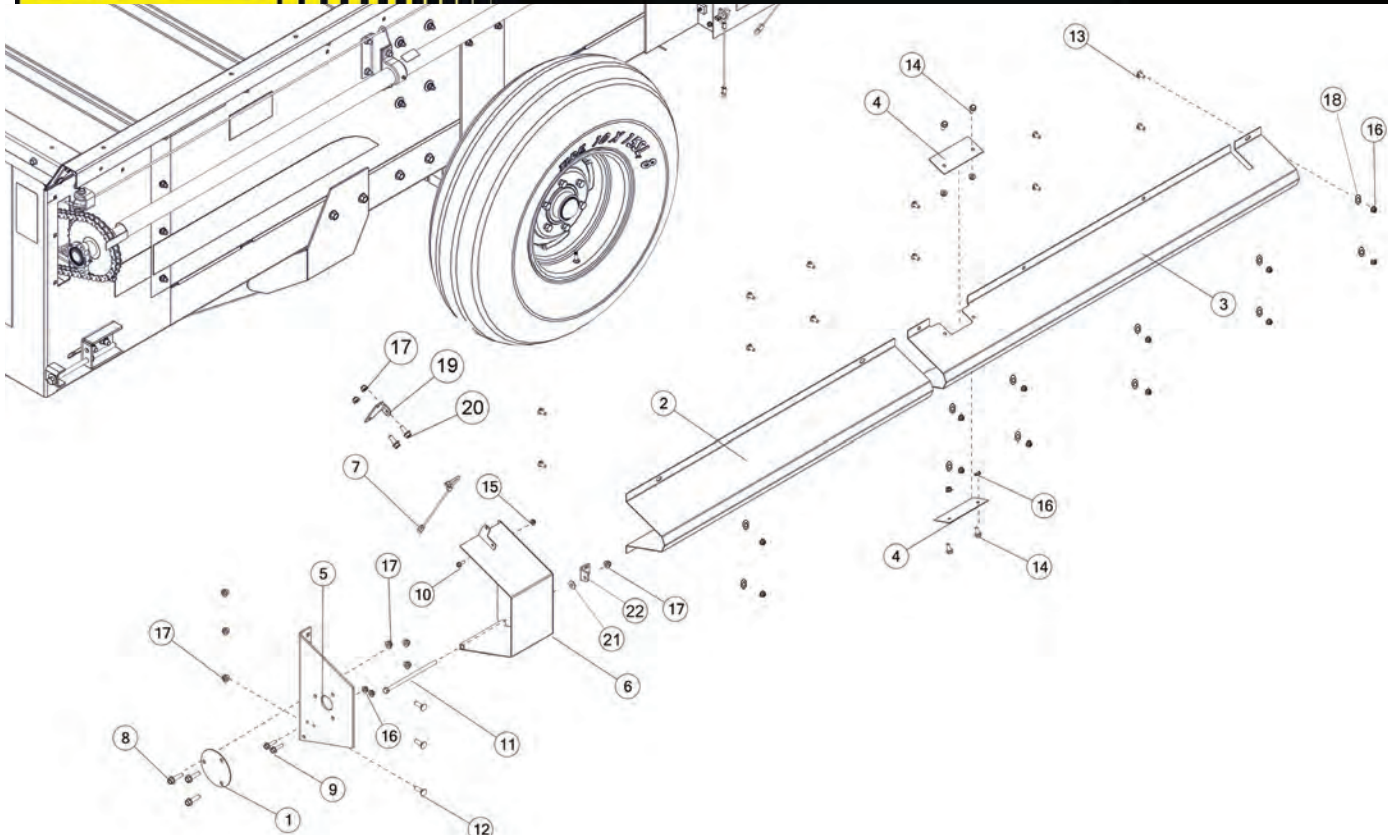


FIGURE 4

SHIFTING LINKAGES & COMPONENTS

REF #	PART #	DESCRIPTION	QTY
1	23N283	STOP BRACKET	1
2	23N280	SHIFTER LEVER	1
3	23N281	PIVOT LINK BRACKET	1
4	71972	CABLE GUIDE BRACKET, FRONT	1
5	10R14	COIL SPRING	1
6	76054	CHAIN, 10 LINKS	1
7	17G177	SPRING MOUNT BRACKET	1
8	F84	TURNBUCKLE	1
9	98144	SPACER	2
10	23N297	TUBE	1
11	YWCU12005	WASHER	3
12	23N282	SHIFTER DOG BRACKET, 5/8	1
13	YNRL12005	NUT HEX, REVERSIBLE-SIDE LOCK, 3/8	1
14	G89	STRAIGHT ZERK, 1/4-28 X 90	1
15	23N284	SHIFTER DOG SPRING	1
16	23N183	ROPE, .38 X 180	1
17	F33	ROPE GUIDE	2
18	YBPU08005	U-BOLT, 1/4 X 3/4	1
19	YBFB12175	BOLT FLG, 3/8 X 1-3/4 G5	3
20	YBFB12125	BOLT FLANGE, 3/8 X 1-1/4 G5	1
21	YBFB12003	BOLT FLANGE, 3/8 X 1 G5 ZC	2
22	YBFB10001	BOLT FLANGE, 5/16 X 1 G5	1
23	YBFB08075	BOLT FLANGE, 1/4 X 3/4 G5	2
24	YNFG12006	NUT FLANGE, 3/8 GF	8
25	YNFG10005	NUT FLANGE, 5/16 GF	1
26	YNFG08010	NUT FLANGE, 1/4 GF	4
27	YNHX08005	NUT HEX, 1/4 G5	2
28	YNHX10015	NUT, HEX, 5/16-18, NA, G2, ZC, LH	2
29	91636	FRONT PANEL	1
30	BFR220	CABLE CLAMP, 3/16	1
31	72120	HEAT SHRINK	1
32	98662	CABLE	1
33	17G55	ROPE GUIDE BRACKET	1
34	71279	SLEEVE	2
35	YBFB12250	BOLT FLANGE, 3/8 X 2-1/2 G5	1



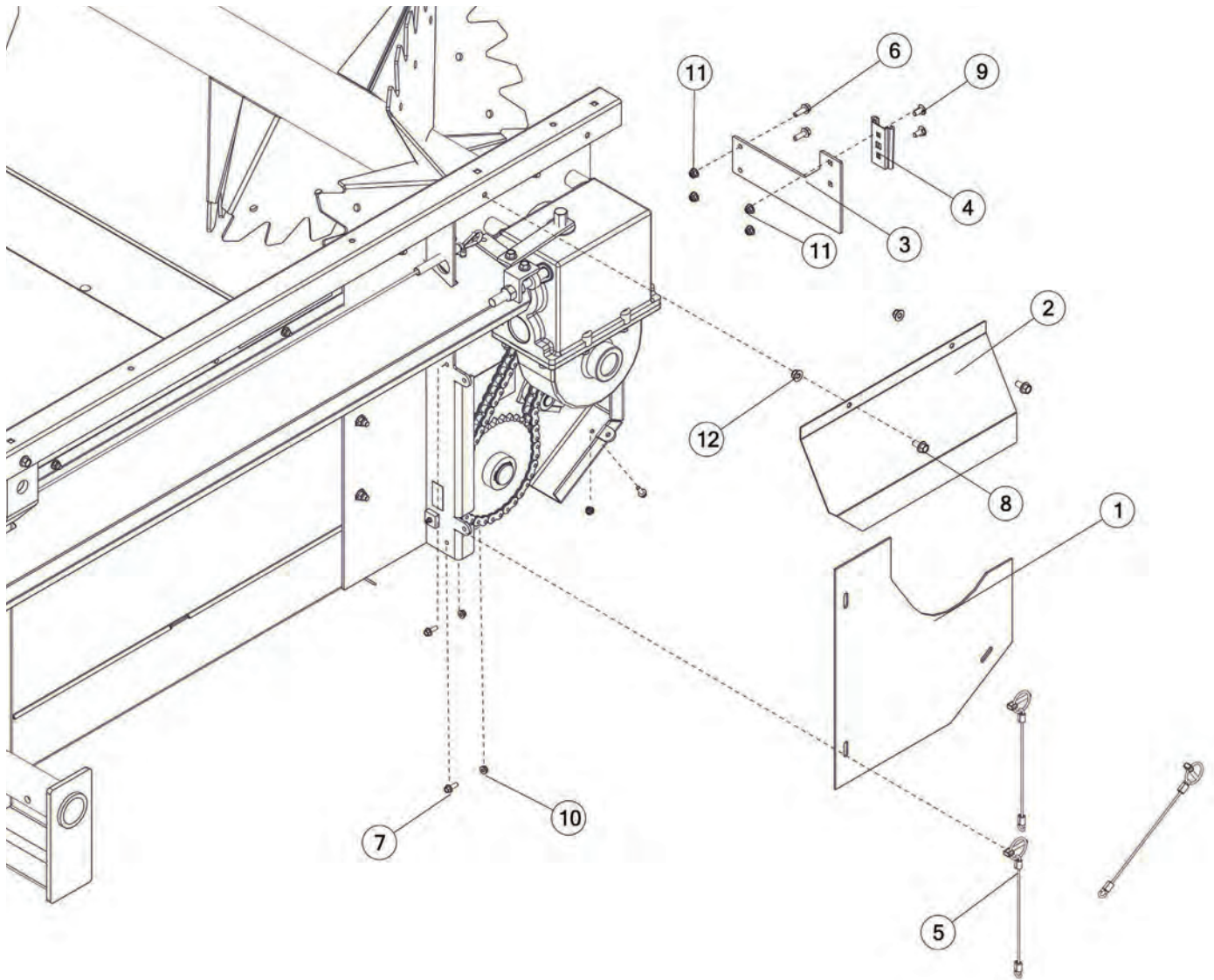


REF #	PART #	DESCRIPTION	QTY
1	91267	SHAFT COVER	1
2	91217B	SIDE SHAFT SHIELD, FRONT W/DECALS	1
3	92164B	SIDE SHAFT SHIELD, REAR W/DECALS	1
4	92184	SIDE SHAFT SHIELD COVER	2
5	91266B	BEARING PLATE W/DECALS	1
6	91270B	FRONT SPROCKET SHIELD W/DECALS	1
7	S122	LYNCH PIN W/CABLE	1
8	YBFB12150	BOLT FLANGE, 3/8 X 1-1/2 G5	3
9	YBFB10125	BOLT FLANGE, 5/16 X 1-1/4 G5	2
10	YBFB08075	BOLT FLANGE, 1/4 X 3/4 G5	1
11	YBHH12246	BOLT HEX, 3/8-16 X 7-1/2, G5, ZC	1
12	YBCR12020	BOLT CARRIAGE, 3/8 X 1-1/4 G5	3
13	YBCR10030	BOLT CARRIAGE, 5/16 X 3/4 G5	12
14	YBFB10075	BOLT FLANGE, 5/16 X 3/4 G5	4
15	YNFG08010	NUT FLANGE , 1/4 GF	1
16	YNFG10005	NUT FLANGE, 5/16 GF	18
17	YNFG12006	NUT FLANGE, 3/8 GF	8
18	YWFL10005	WASHER, FLAT, 5/16 USS	12
19	93352	SHIELD ANGLE	1
20	YBFB12003	BOLT FLANGE, 3/8 X 1 G5	2
21	YWFL12005	WASHER FLAT, 3/8 G5	1
22	97952	SHIELD BRACKET	1



FIGURE 6

GEARBOX SHIELDS & COMPONENTS



REF #	PART #	DESCRIPTION	QTY
1	91755B	REAR CHAIN SHIELD W/DECALS	1
2	91760B	GEARBOX SHIELD W/DECALS	1
3	91761B	SMV BRACKET W/DECALS	1
4	F97	SMV BRACKET	1
5	S122	LYNCH PIN W/CABLE	3
6	YBFB10001	BOLT FLANGE, 5/16 X 1 G5	2
7	YBFB08075	BOLT FLANGE, 1/4 X 3/4 G5	3
8	YBFB12075	BOLT FLANGE, 3/8 X 3/4 G5	2
9	YBCR10030	BOLT CARRIAGE, 5/16 X 3/4 G5	2
10	YNFG08010	NUT FLANGE , 1/4 GF	3
11	YNFG10005	NUT FLANGE, 5/16 GF	4
12	YNFG12005	NUT HEX, REVERSIBLE-SIDE LOCK, 3/8	2





FIGURE 7 SIDE SHAFT & COMPONENTS

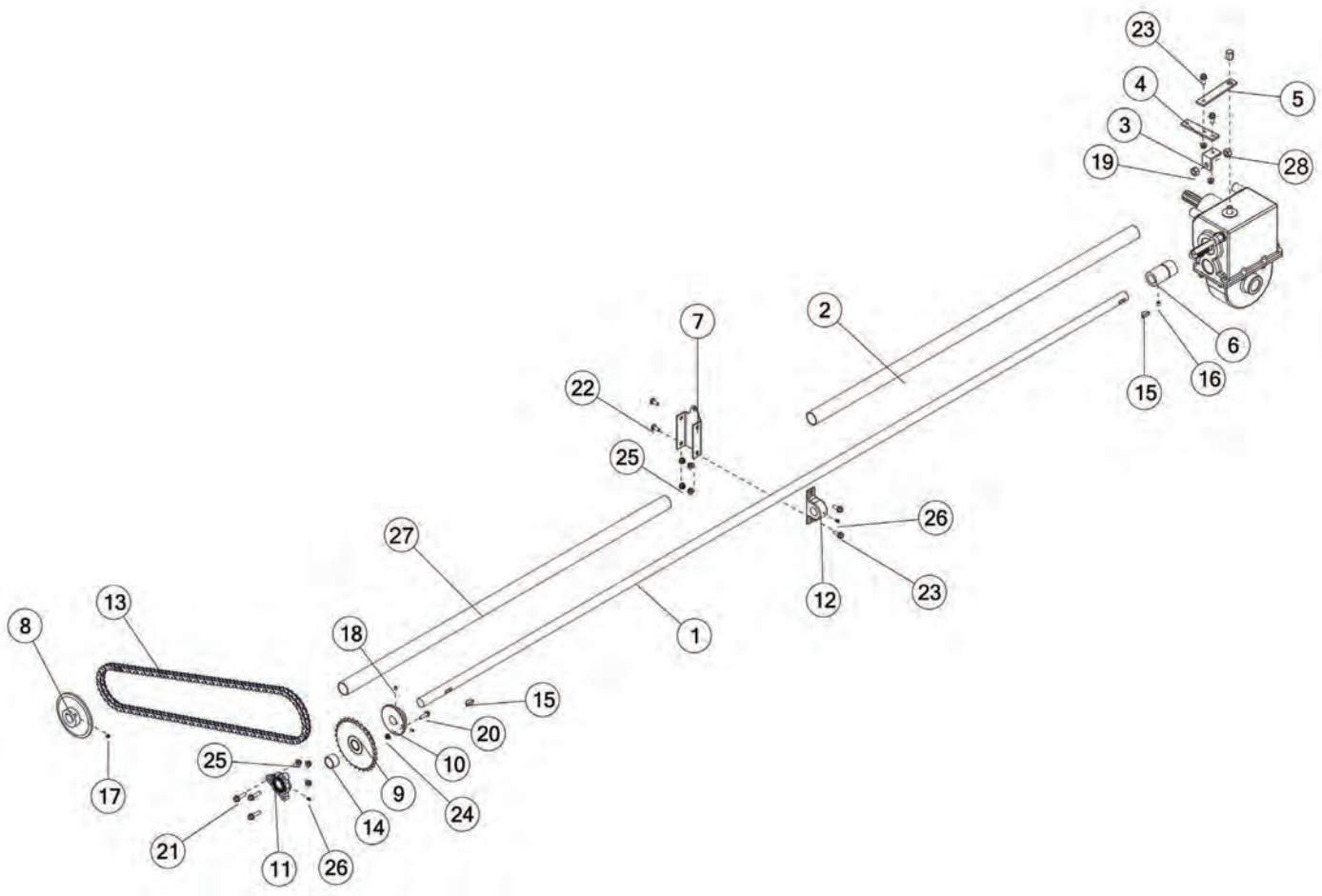


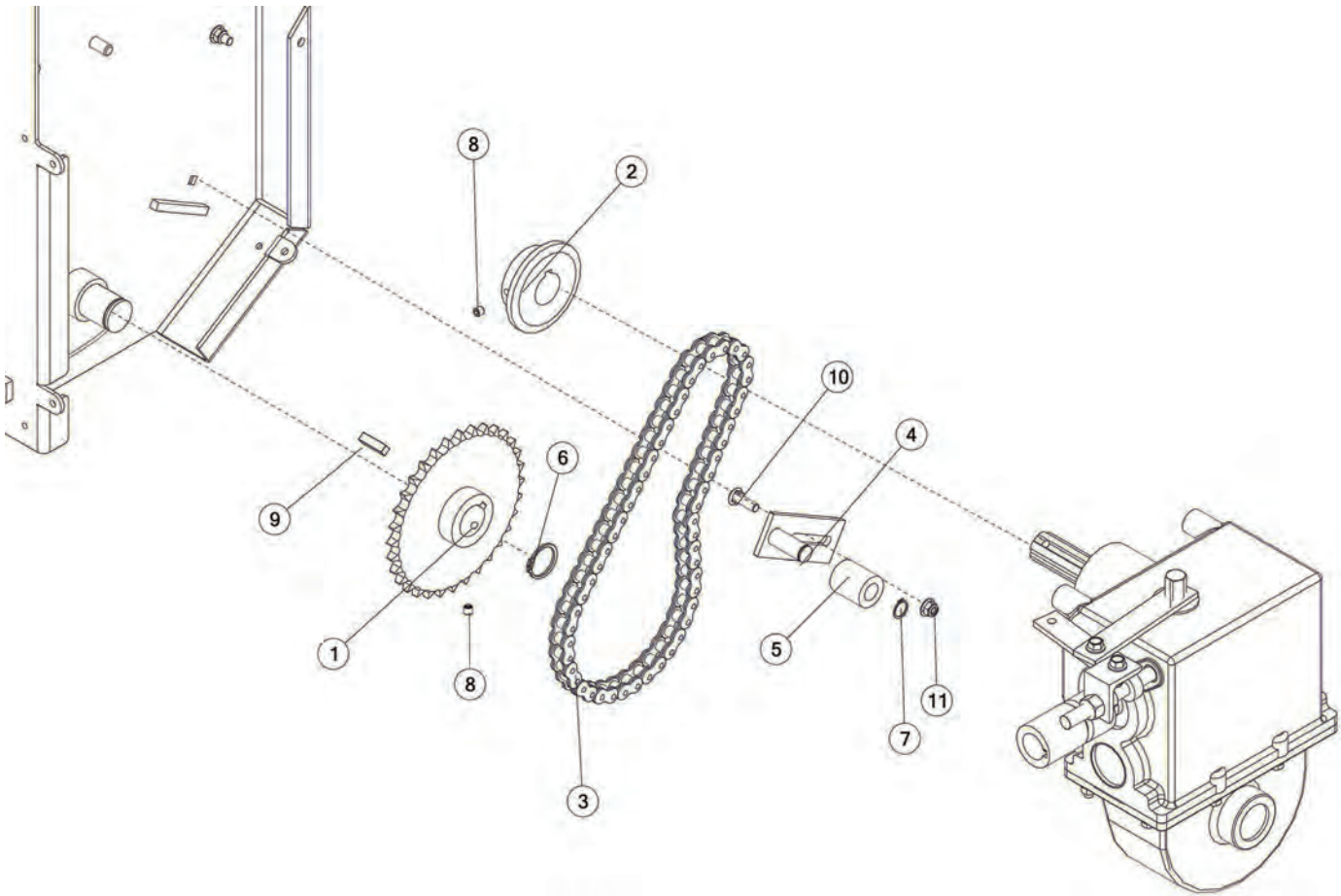


FIGURE 7

SIDE SHAFT & COMPONENTS

REF #	PART #	DESCRIPTION	QTY
1	92161	SIDE SHAFT	1
2	92162	SIDE SHAFT GUARD	1
3	23N291	SHIFTER ROD BRACKET	1
4	23N290	SHIFTER ROD BRACKET	1
5	23N289	SHIFTER ROD LEVER FULCRUM	1
6	17G65	COUPLER	1
7	70130	BEARING BRKT	1
8	23N70	SPROCKET, 25T	1
9	91569	SINGLE SPROCKET, 30	1
10	91265	SHEAR HUB	1
11	80662	BEARING 1-1/4	1
12	12N36	PILLOW BLOCK BEARING, 1-1/4	1
13	17G49	CHAIN, ROLL, #60, 116P	1
14	R17	SPACER	1
15	5B9	WOODRUFF KEY, 3/8 X 1-1/4	2
16	YSKP12010	SCREW SOCKET HEAD, 3/8 X 1/2	1
17	YSKP12025	SCREW SET SOCKET, KNURLED CUP PT, 3/8 X 3/8	1
18	YSKP10010	SCREW SOCKET HEAD, 5/16 X 3/8	2
19	YNHX20005	NUT HEX, 5/8	2
20	YBFB10125	BOLT FLG, 5/16 X 1-1/4 G5	1
21	YBFB12150	BOLT FLANGE, 3/8 X 1-1/2 G5	3
22	YBCR12010	BOLT CARRIAGE, 3/8 X 1 G5	2
23	YBFB12003	BOLT FLANGE, 3/8 X 1 G5 ZC	2
24	YNFG10005	NUT FLANGE, 5/16 GF	1
25	YNFG12006	NUT FLANGE, 3/8 GF	7
26	G89	STRAIGHT ZERK, 1/4-28 X 90	2
27	91283	SHAFT GUARD	1
28	YNRL12005	NUT HEX, REVERSIBLE-SIDE LOCK, 3/8	2



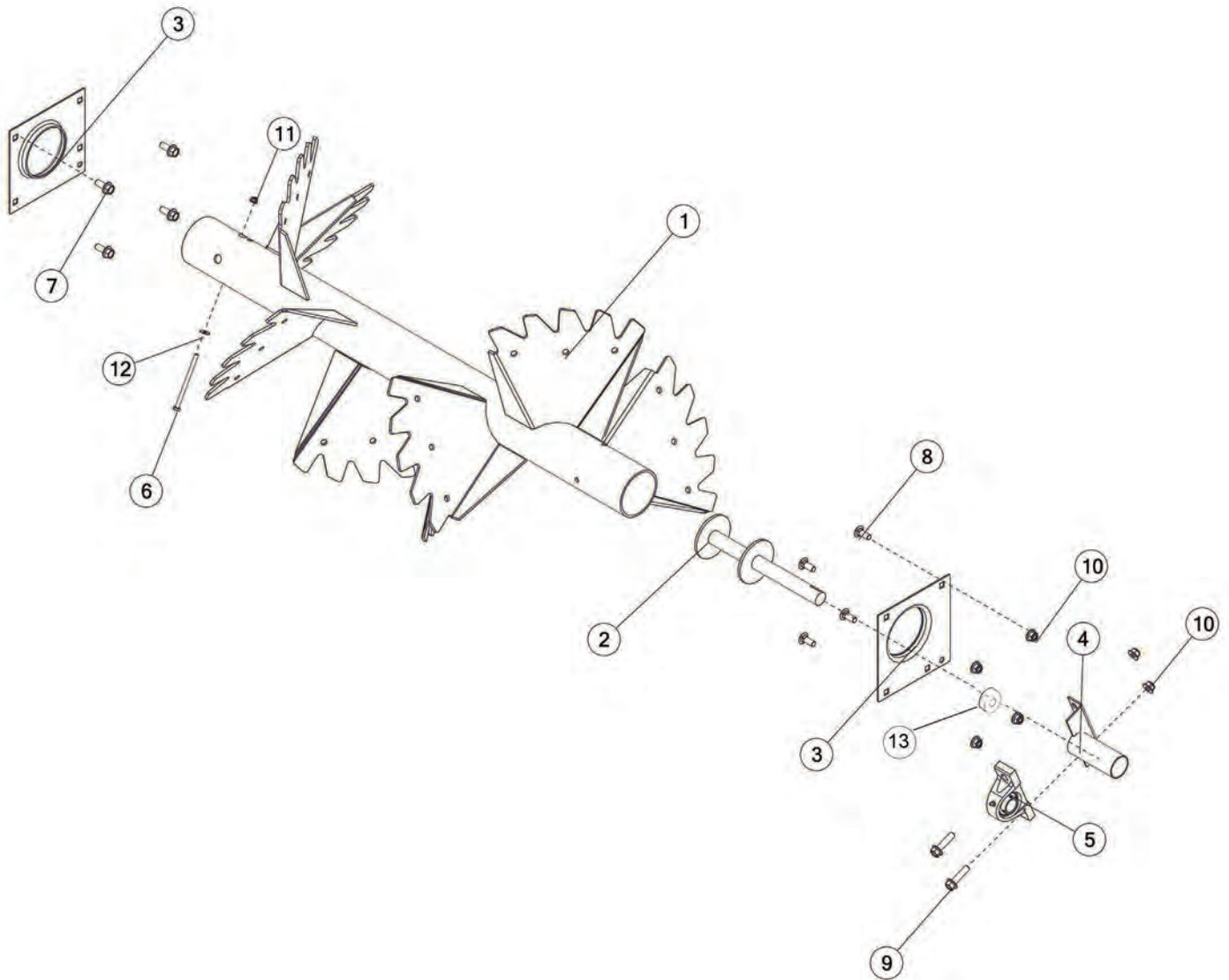


REF #	PART #	DESCRIPTION	QTY
1	69759	SPROCKET, 60-B-32	1
2	17G67	SPROCKET, 60-B-16	1
3	17G66	ROLLER CHAIN, #60, 54P	1
4	L10R35	CHAIN TIGHTENER BRACKET	1
5	23N238	ROLLER CHAIN TIGHTENER	1
6	12V62	SNAP RING, 1-1/2IN HD EXTERNAL	1
7	10R32	SNAP RING, EXTERNAL .7	1
8	YSKP12025	SCREW SET SOCKET, KNURLED CUP PT, 3/8 X 3/8	2
9	A32	SQUARE KEY W/ ROUND ENDS, 3/8 X 1-3/8	1
10	YBCR12020	BOLT CARRIAGE, 3/8 X 1-1/4 G5	1
11	YNFG12006	NUT FLANGE, 3/8 GF	1



FIGURE 9

BEATER & COMPONENTS



REF #	PART #	DESCRIPTION	QTY
1	17G5	BEATER	1
2	17G6	BEATER STUB SHAFT	1
3	91628	ANTI WRAP GUARD	2
4	17G8	STUB SHAFT SHIELD	1
5	17G7	PILLOW BLOCK BEARING	1
6	YBHH10130	BOLT HEX, 5/16 X 5 G5	1
7	YBFB16100	BOLT FLANGE, 1/2 X 1 G5	4
8	YBCR16015	BOLT CARRIAGE, 1/2 X 1-1/4 G5	4
9	YBFB16200	BOLT FLANGE, 1/2 X 2 G5	2
10	YNFG16003	NUT FLANGE, 1/2 GF	6
11	YNFG10005	NUT FLANGE, 5/16 GF	1
12	YWFL10005	WASHER, FLAT, 5/16 USS	1
13	93354	SPACER	1



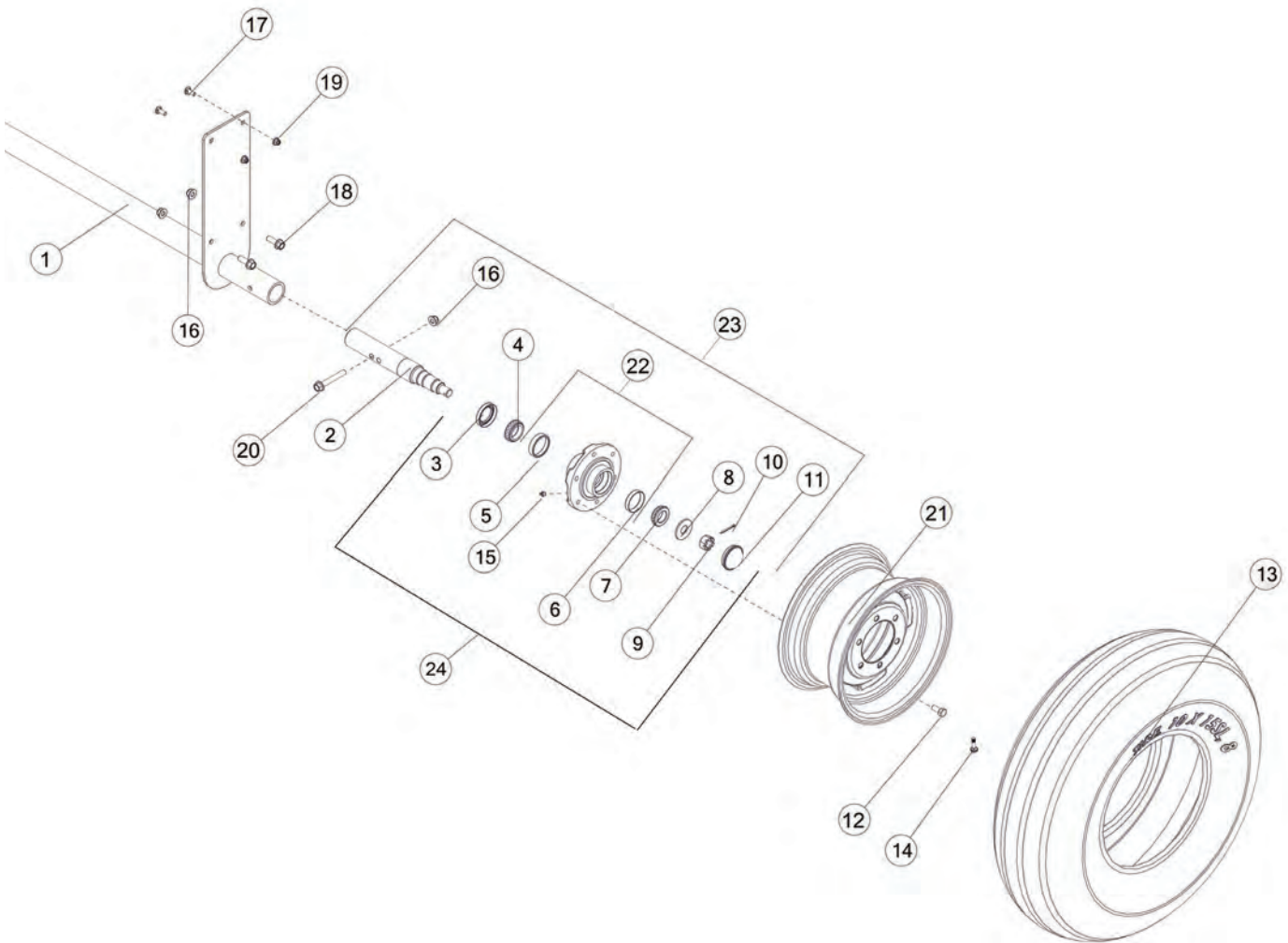




FIGURE 10

WHEEL & HUB COMPONENTS

REF #	PART #	DESCRIPTION	QTY
1	92133	AXLE	1
2	12N16	SPINDLE	2
3	12N17	GREASE SEAL	2
4	DWM461	INNER BEARING	2
5	DWM462	INNER RACE	2
6	17G146	OUTER RACE	2
7	17G145	TAPERED ROLLER BEARING	2
8	YWFL28005	WASHER FLAT, 7/8	2
9	YNSL28005	NUT HEX, SLOTTED, 7/8 G2	2
10	YPCT05010	COTTER PIN, 5/32 X 1-1/2	2
11	17G144	HUB CAP	2
12	YBWL16005	BOLT WHEEL, 1/2 X 1 G5	12
13	85425	TIRE, 240/80R15, RADIAL IMPLEMENT	2
14	72436	VALVE STEM, 1-1/2	2
15	BFR28	GREASE ZERK, 1/8 NPT	2
16	YNFG16003	NUT FLANGE, 1/2 GF	6
17	YBCR12010	BOLT CARRIAGE, 3/8 X 1 G5	4
18	YBFB16150	BOLT FLANGE, 1/2 X 1-1/2 G5	4
19	YNFG12006	NUT FLANGE, 3/8 GF	4
20	YBFB16350	BOLT FLANGE, 1/2 X 3-1/2 G5	2
21	12N24SR	WHEEL, 15 X 8, 6-BOLT, 1.125+ OFFSET, SILVER	2
22	12N20	HUB W/RACES	2
23	86815	COMPLETE HUB W/SPINDLE	2
24	RG254	HUB COMPLETE	2
*	85423SR	TIRE & WH ASSY, IF240/80R15IMP ON 15X8 SILVER	2





FIGURE 11

FRONT PANEL & COMPONENTS

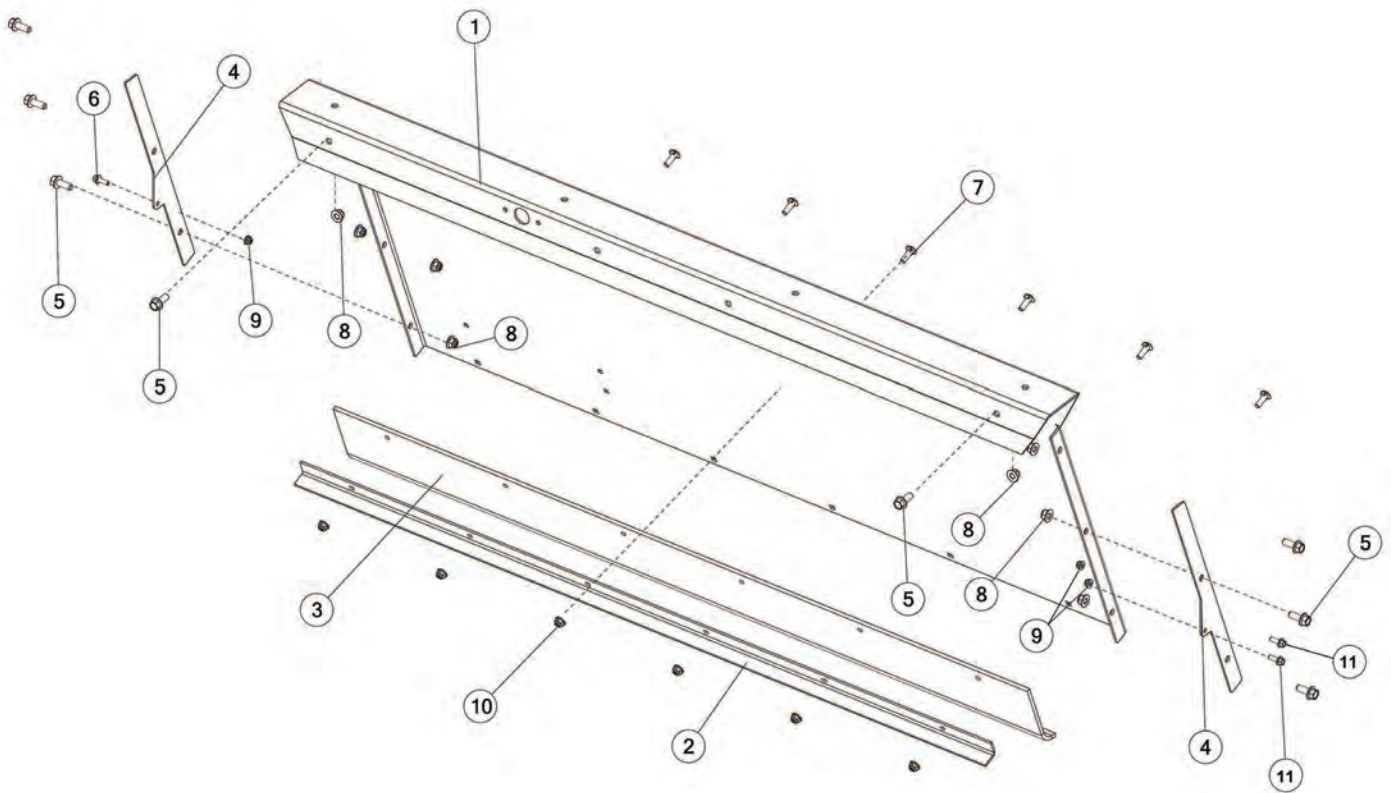




FIGURE 11

FRONT PANEL & COMPONENTS

REF #	PART #	DESCRIPTION	QTY
1	91557B	FRONT PANEL W/DECALS	1
2	91556	ANGLE FOR RUBBER	1
3	91551	FRONT RUBBER	1
4	91567	FRONT PANEL SPACER	2
5	YBFB12003	BOLT FLANGE, 3/8 X 1 G5 ZC	8
6	YBFB08075	BOLT FLANGE, 1/4 X 3/4 G5	1
7	YBCR10010	BOLT CARRIAGE, 5/16 X 1 G5	6
8	YNFG12006	NUT FLANGE, 3/8 GF	8
9	YNFG08010	NUT FLANGE, 1/4 GF	3
10	YNFG10005	NUT FLANGE, 5/16 GF	6
11	YBFB08100	BOLT FLANGE, 1/4 X 1 G5	2





FIGURE 12 FRONT FRAME & COMPONENTS

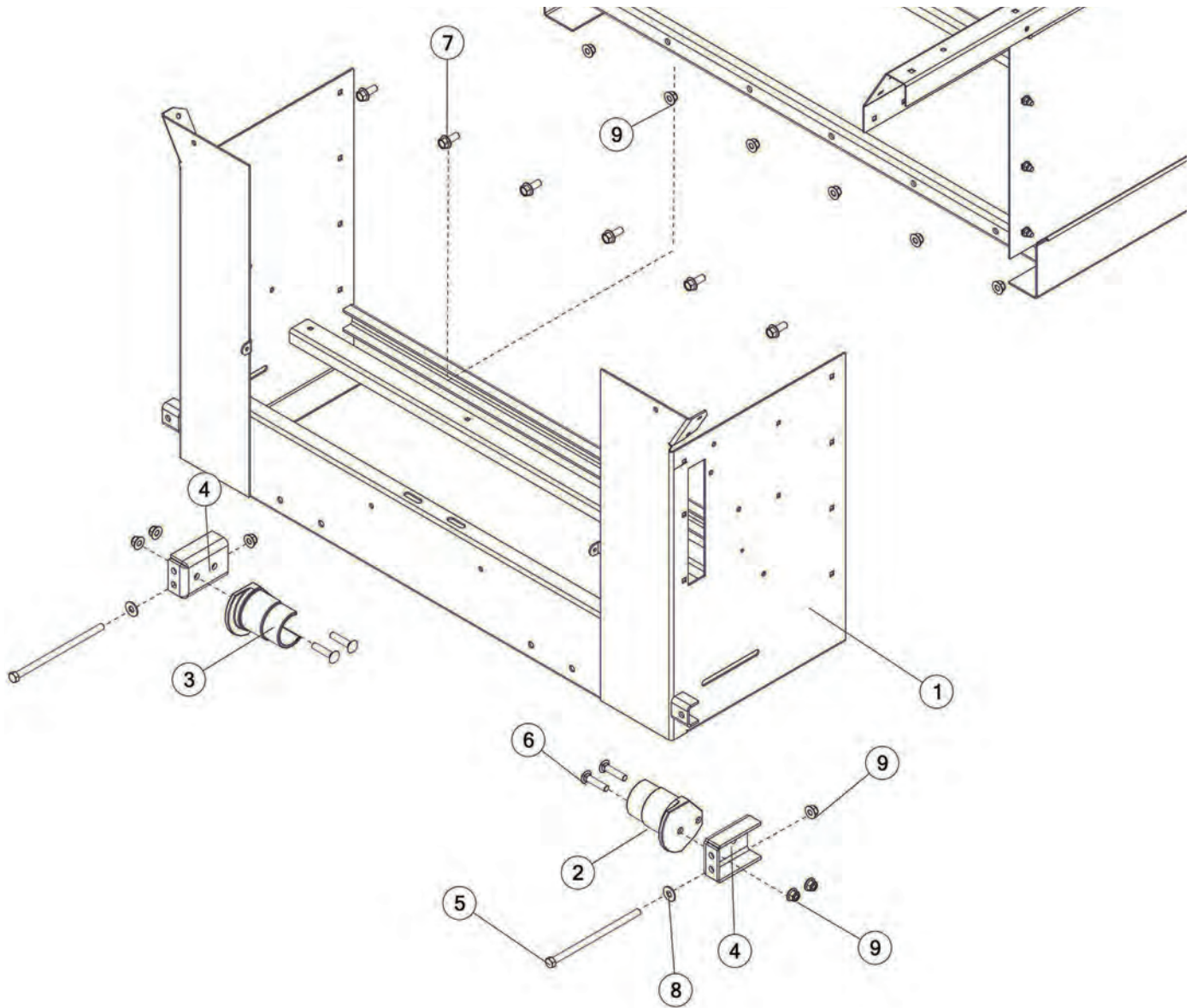




FIGURE 12

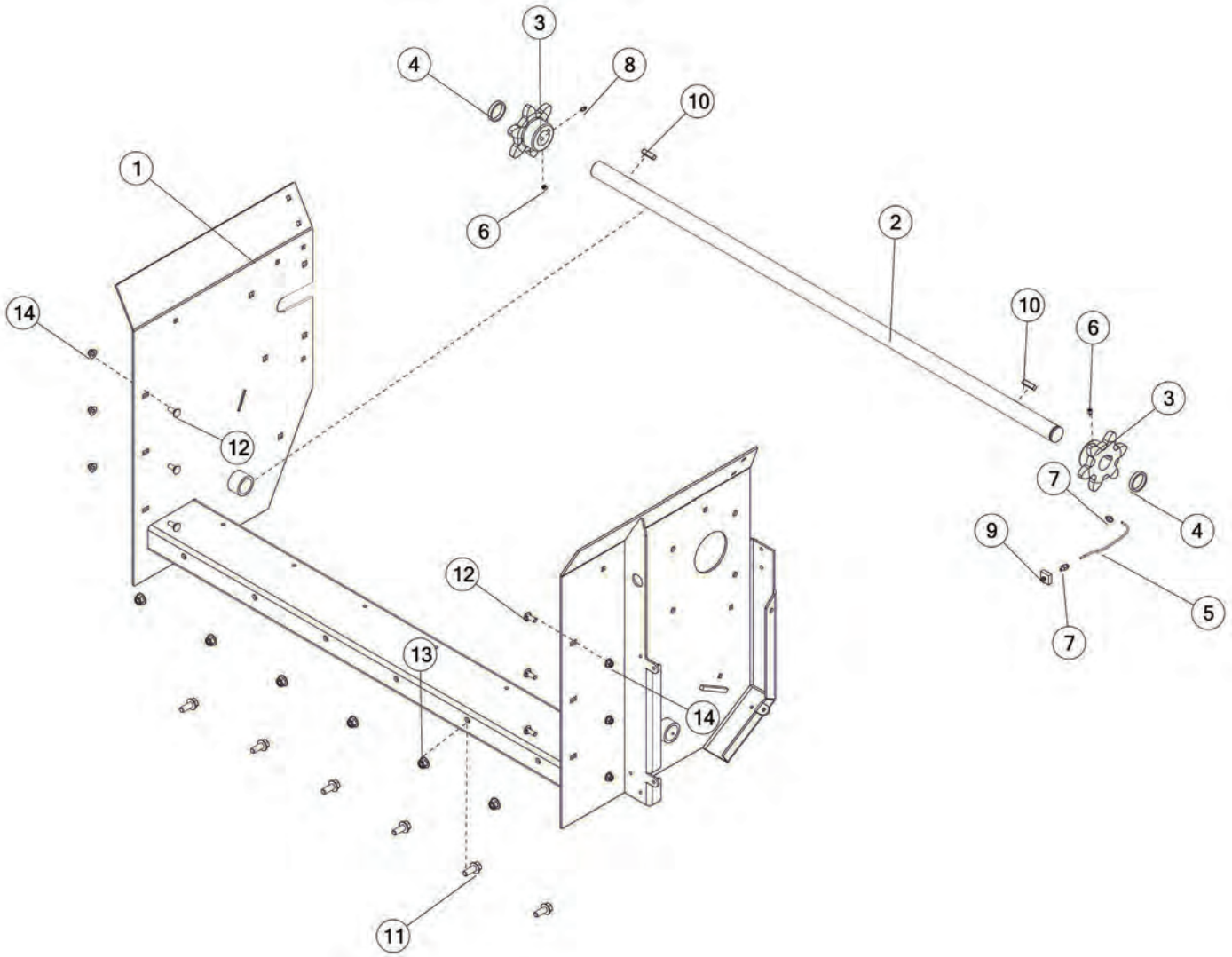
FRONT FRAME & COMPONENTS

REF #	PART #	DESCRIPTION	QTY
1	91410B	FRONT FRAME W/DECALS	1
2	17G96	T-ROD SLIDE LH	1
3	17G97	T-ROD SLIDE RH	1
4	96048	TIGHTENER BRACKET	2
5	YBHH16190	BOLT HEX, 1/2 X 9-1/2 G5	2
6	YBCR16023	BOLT CARRIAGE, 1/2-13 X 2-1/4 G5 ZC	4
7	YBFB16125	BOLT FLANGE, 1/2 X 1-1/4 G5	6
8	YWFL16005	WASHER FLAT, 1/2	2
9	YNFG16003	NUT FLANGE, 1/2 GF	12





FIGURE 13 REAR FRAME & COMPONENTS



REF #	PART #	DESCRIPTION	QTY
1	91404B	REAR FRAME W/DECALS	1
2	91582	DRIVE SHAFT	1
3	A4	CONVEYOR DRIVE SPROCKET, 6	2
4	23N266	SPACER, 5/16	2
5	17G73	GREASE LINE	1
6	YSKP12025	SCREW SET SOCKET, KNURLED CUP PT, 3/8 X 3/8	2
7	S47	GREASE FITTING	2
8	G89	STRAIGHT ZERK, 1/4-28 X 90	1
9	16V9	GREASE ZERK BLOCK	1
10	A32	SQUARE KEY W/ ROUND ENDS, 3/8 X 1-3/8	2
11	YBFB16125	BOLT FLANGE, 1/2 X 1-1/4 G5	6
12	YBCR12010	BOLT CARRIAGE, 3/8 X 1 G5	6
13	YNFG16003	NUT FLANGE, 1/2 GF	6
14	YNFG12006	NUT FLANGE, 3/8 GF	6





FIGURE 14
FRONT SPLASH GUARD

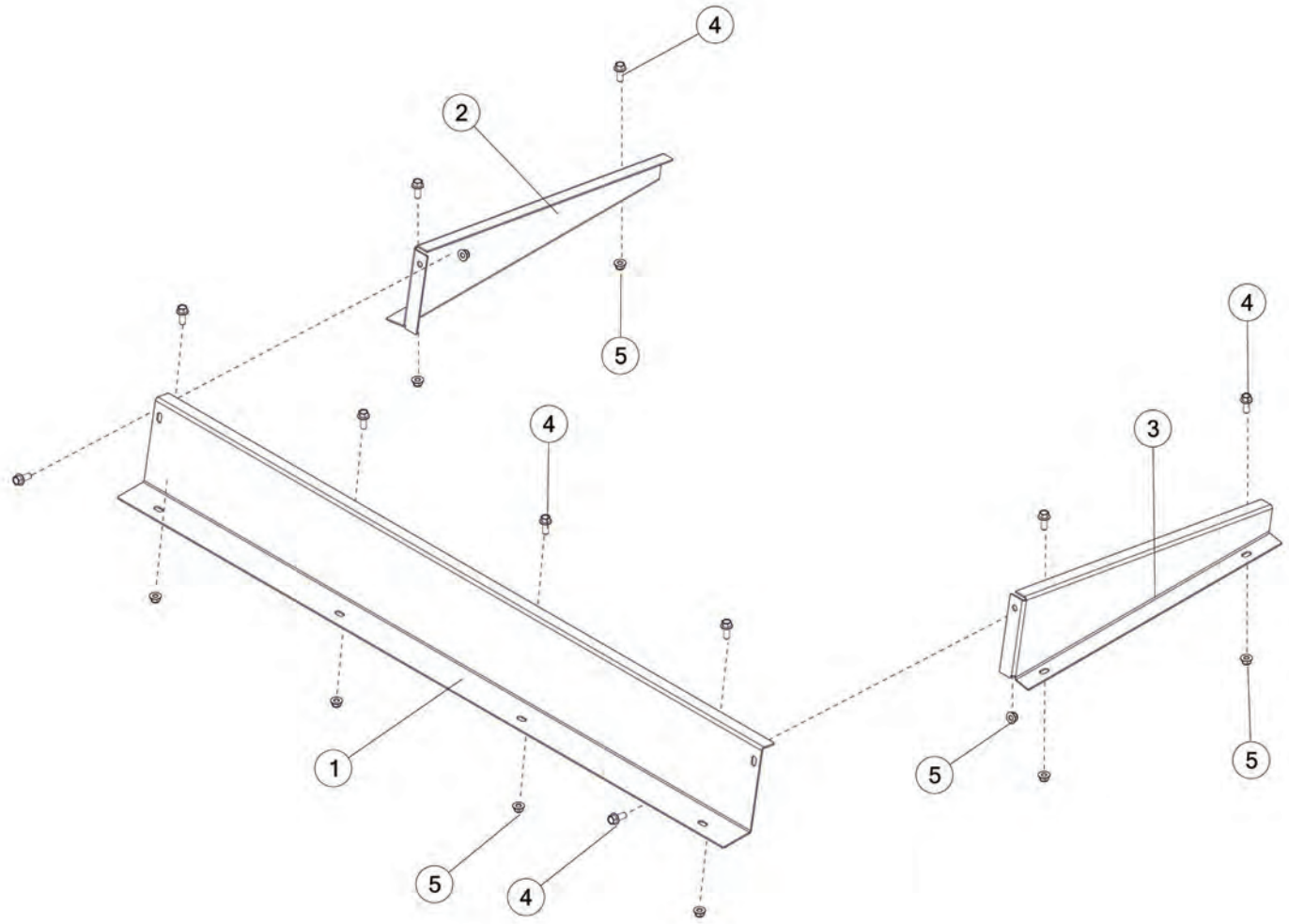




FIGURE 14

FRONT SPLASH GUARD

REF #	PART #	DESCRIPTION	QTY
1	91840B	FRONT SPLASH W/DECALS	1
2	91844	SPLASH GUARD SIDE, RH	1
3	91841	SPLASH GUARD SIDE, LH	1
4	YBFB12003	BOLT FLANGE, 3/8 X 1 G5	10
5	YNFG12006	NUT FLANGE, 3/8 GF	10





FIGURE 15

SIDE PANEL & COMPONENTS

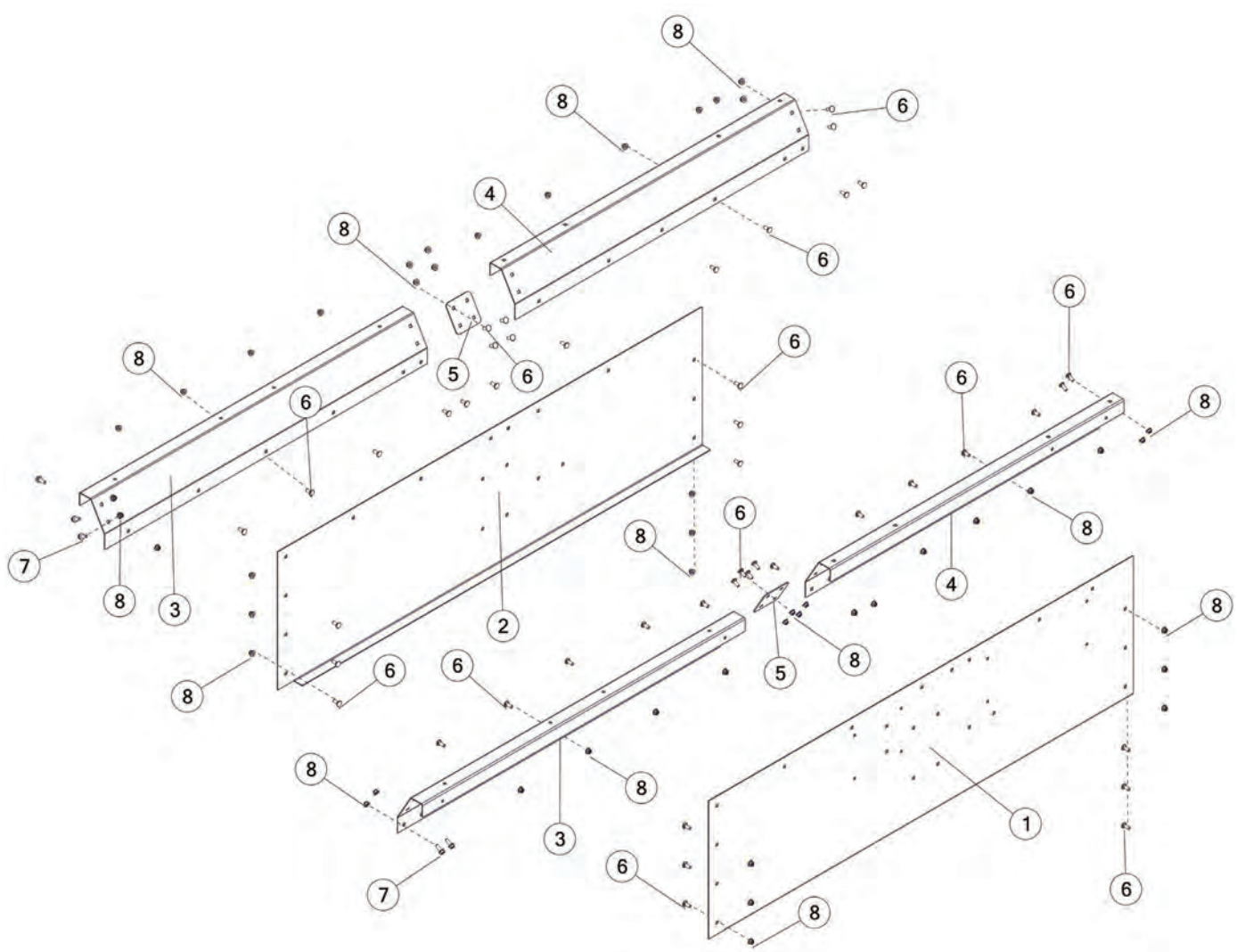




FIGURE 15

SIDE PANEL & COMPONENTS

REF #	PART #	DESCRIPTION	QTY
1	92126B	SIDE PANEL, LH W/DECALS	1
2	92127B	SIDE PANEL, RH W/DECALS	1
3	92149	FRONT FLARE	2
4	92151	REAR FLARE	2
5	91560	FLARE CONNECTOR PLATE	2
6	YBCR12010	BOLT CARRIAGE, 3/8 X 1 G5	46
7	YBFB12003	BOLT FLANGE, 3/8 X 1 G5 ZC	4
8	YNFG12006	NUT FLANGE, 3/8 GF	48



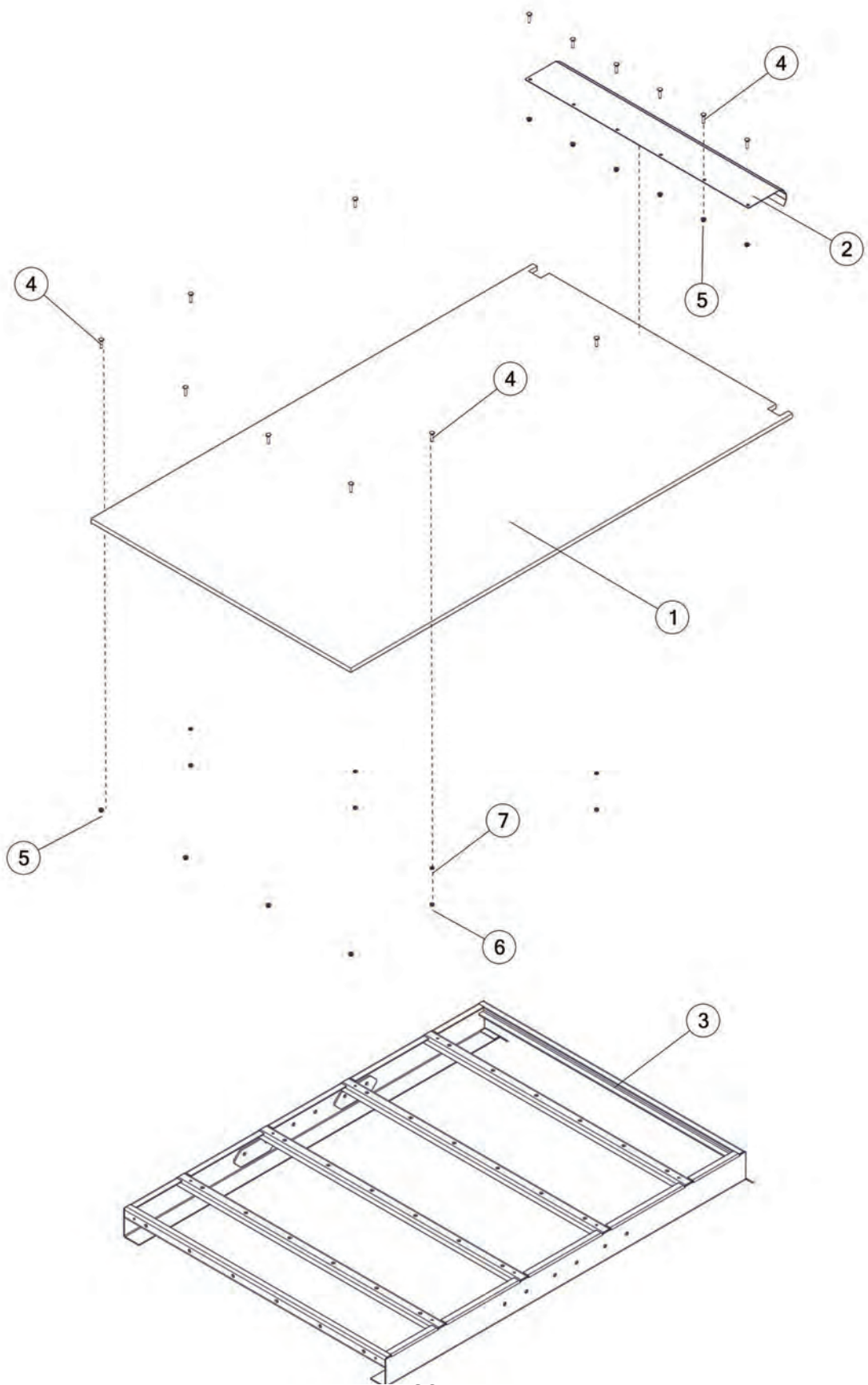




FIGURE 15
FLOOR

REF #	PART #	DESCRIPTION	QTY
1	92152	POLY PLYWOOD FLOOR	1
2	91748	DRIVE SHAFT COVER	1
3	92124	MAIN FRAME	1
4	YBCR10015	BOLT CARRIAGE, 5/16 X 1-1/2 G5	14
5	YNFG10005	NUT FLANGE, 5/16 GF	10
6	YNHX10010	NUT HEX, 5/16 G5	5
7	YWLO10005	WASHER LOCK, 5/16	5



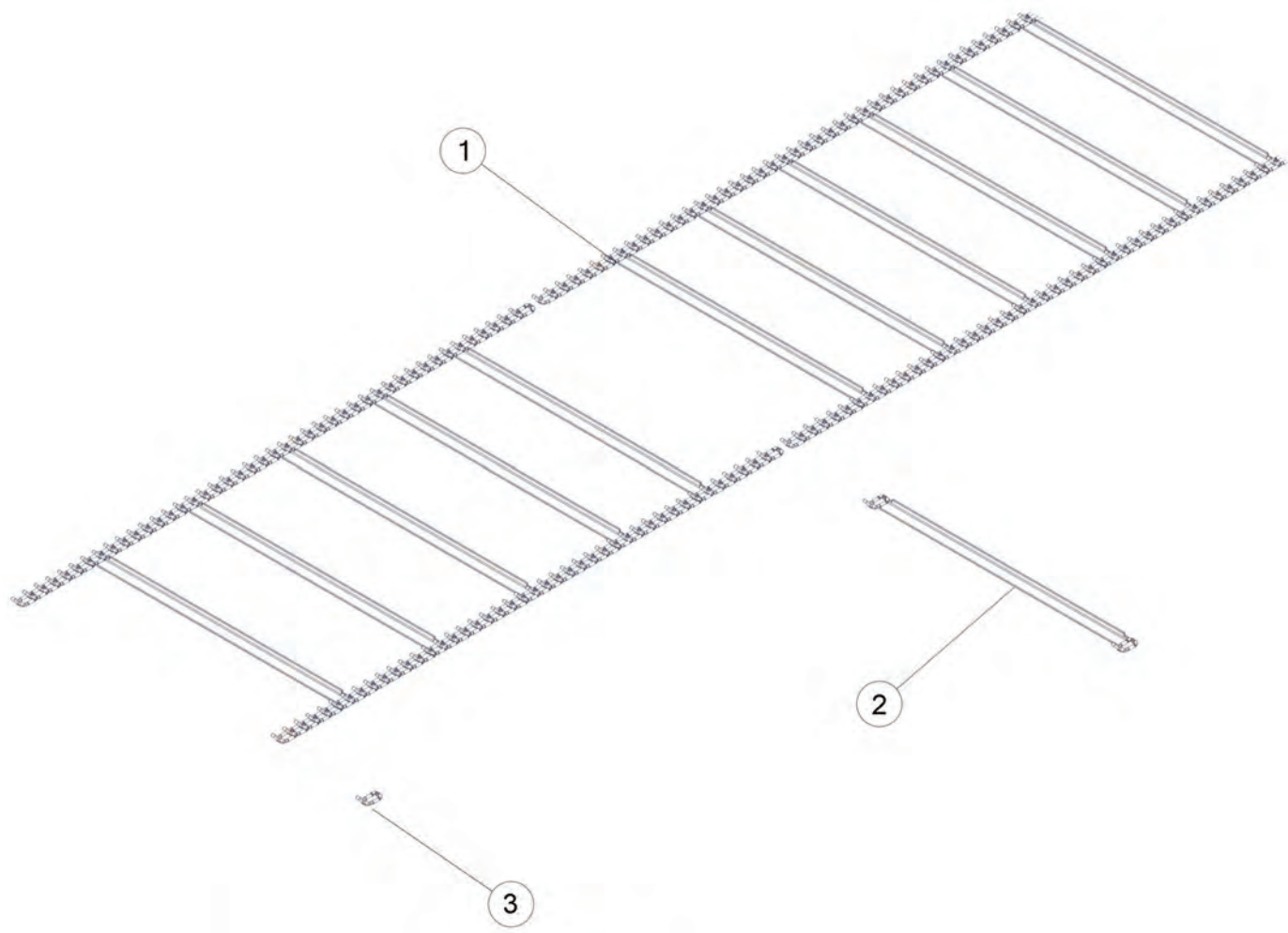




FIGURE 17 CHAIN

REF #	PART #	DESCRIPTION	QTY
1	92153	COMPLETE APRON CHAIN	1
2	17G93	T-ROD SLAT W/ATTACHMENT LINK	12
3	S55	T-ROD CONNECTOR LINK	14



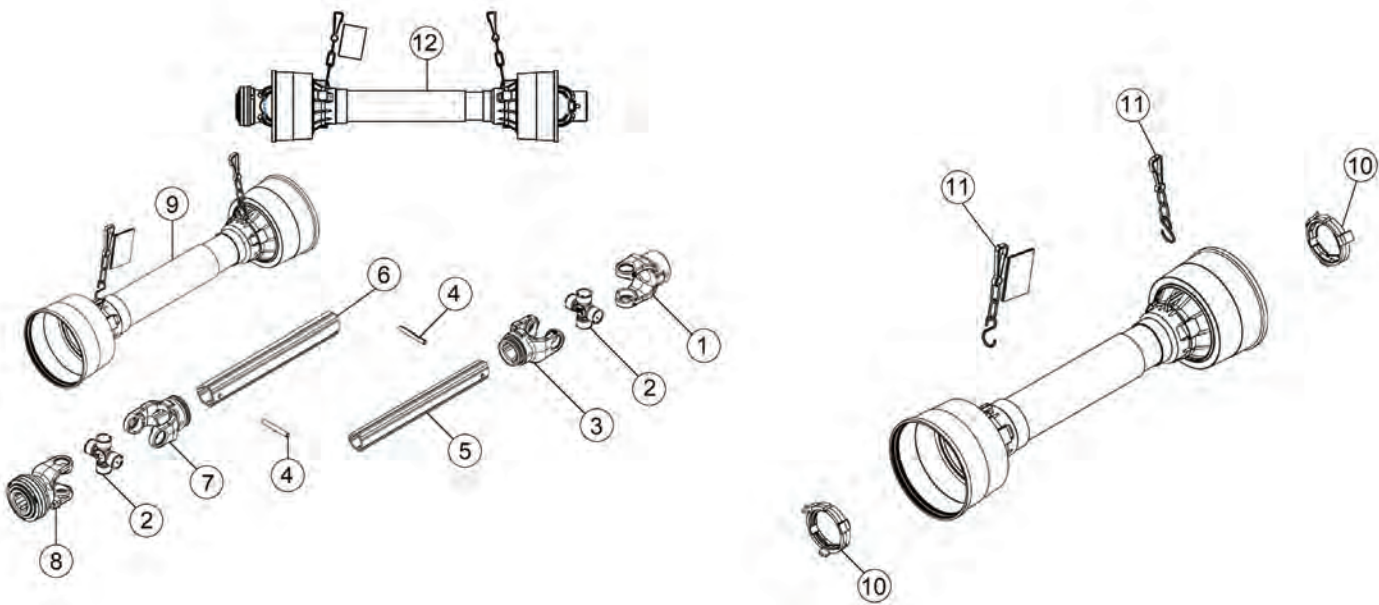


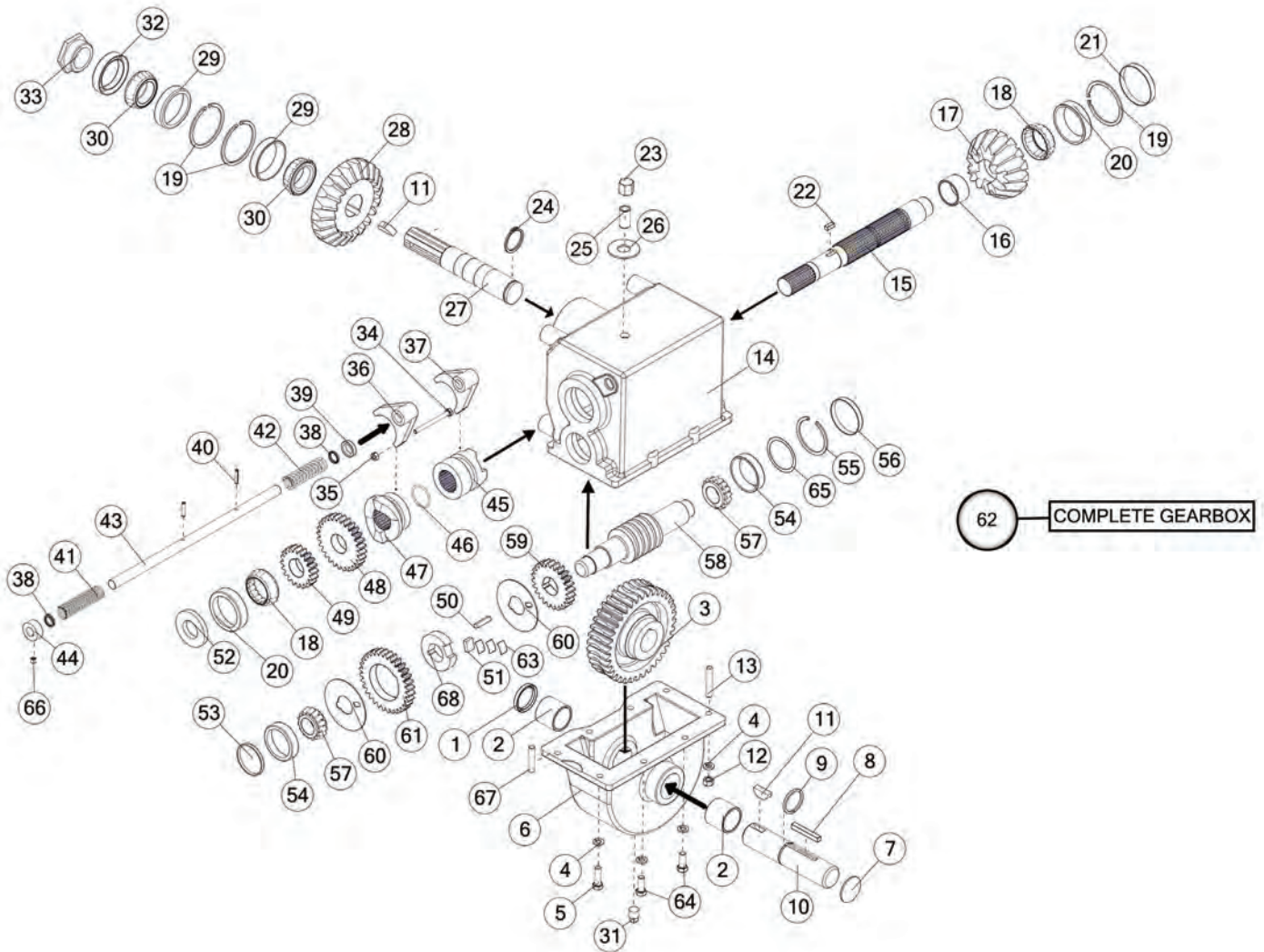


FIGURE 18

PTO

REF #	PART #	DESCRIPTION	QTY
1	89142	YOKE W/ BORE	1
2	84672	JOINT, UNIVERSAL	2
3	84673	YOKE, INNER	1
4	YPEX10250	EXPANSION PIN, 5/16 X 2-1/2	2
5	93872	TUBE	1
6	93871	TUBE	1
7	84676	YOKE, OUTER	1
8	84677	YOKE, END	1
9	93873	SAFETY GUARD GROUP	1
10	89228	RETAINERS	2
11	89227	CHAIN	2
*	12N102Z	COMPLETE PTO	1







REF #	PART #	DESCRIPTION	QTY
1	17G133	SEAL	1
2	17G134	BUSHING, 1-3/4 X 1-1/2 X 1-1/2	2
3	17G137	WORM GEAR 36T	1
4	YWLO12005	WASHER LOCK, 3/8	8
5	YBHH12035	BOLT HEX, 3/8 X 1-1/4 G5	2
6	17G107	LOWER GEARBOX HOUSING	1
7	17G139	CAP	1
8	17G132	SQUARE KEY, 5/16 X 2-1/4	1
9	17G135	SNAP RING, EXTERNAL 1-1/2IN	1
10	17G136	WORM GEAR OUTPUT SHAFT	1
11	5B9	WOODRUFF KEY, 3/8 X 1-1/4	2
12	YNHX12005	NUT HEX, 3/8 G2	2
13	17G140	BOLT STUD, 3/8 X 1-1/2	2
14	17G99	UPPER GEARBOX HOUSING	1
15	17G108A	INPUT SHAFT	1
16	17G111	BUSHING, 1-3/4 X 1-1/2 X 1	1
17	17G110	BEVEL GEAR, 16T	1
18	G18	TAPERED BEARING	2
19	G55	SNAP RING	3
20	18VB25	RACE	2
21	G68	CAP	1
22	17G116	SQUARE KEY, 1/4 X 5/8	1
23	17G58	VENT CAP	1
24	12V62	SNAP RING, 1-1/2IN HD EXTERNAL	1
25	23N288	PIPE NIPPLE, 0.38 X 1.25	1
26	YWFL24005	WASHER FLAT, 3/4	1
27	17G104	OUTPUT SHAFT	1
28	17G101	BEVEL GEAR, 22T	1
29	17G102	RACE	2
30	17G103	TAPERED BEARING	2
31	G65	PLUG PIPE, 3/8 NPT	1
32	17G105	SEAL	1
33	17G106	NUT HEX, 1-1/2	1
34	YBHH08090	BOLT HEX, 1/4 X 3 G2	1
35	YNHX08007	NUT HEX, 1/4 G5	1
36	17G125	HIGH SPEED SHIFTER YOKE	1
37	17G129	YOKE, SHIFTER, BEATER	1
38	17G121	SEAL	2
39	17G122	SPACER	1



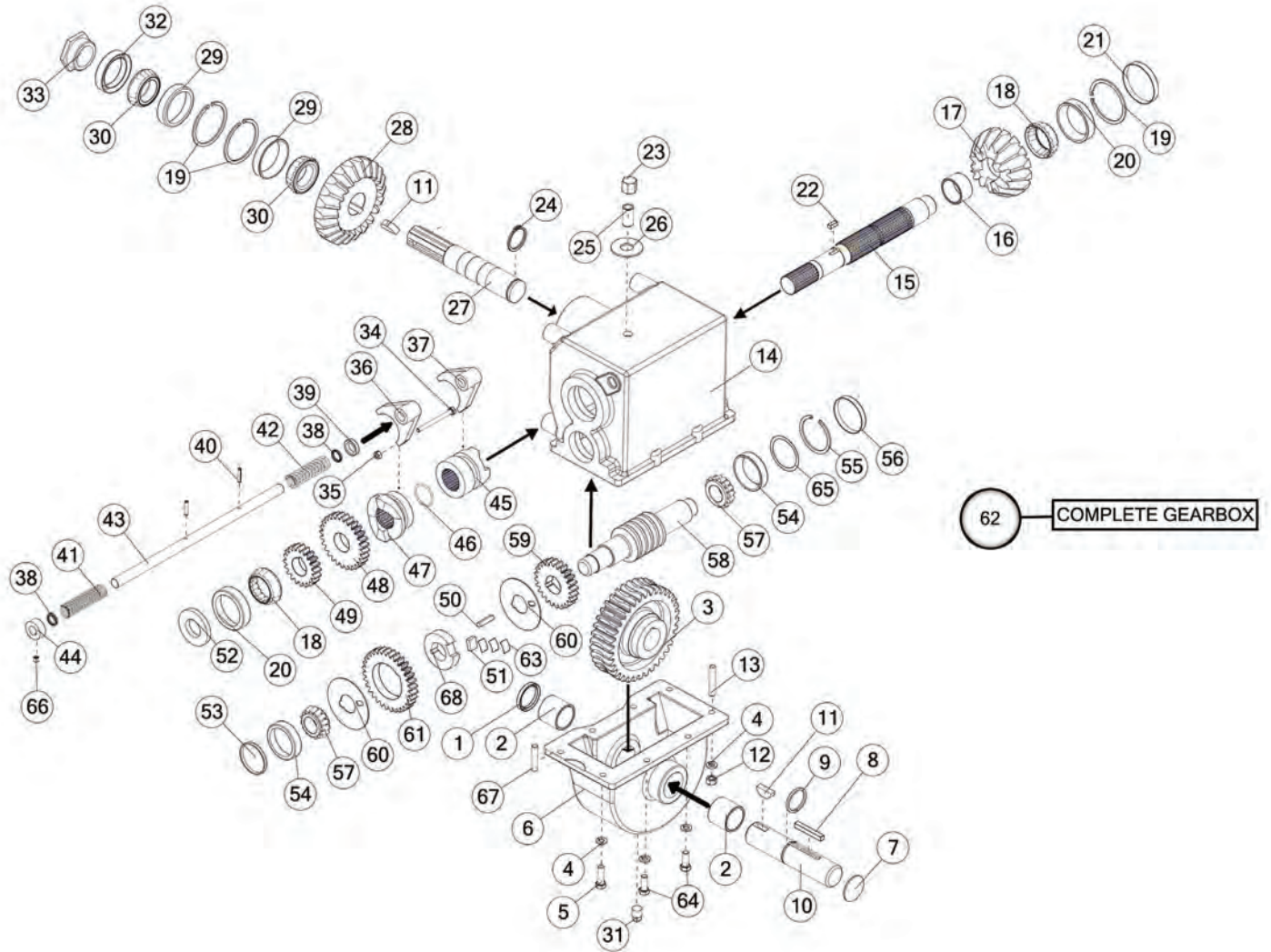




FIGURE 19

GEAR BOX

REF #	PART #	DESCRIPTION	QTY
40	17G123	ROLL PIN	2
41	17G128	COIL SPRING	1
42	17G130	COIL SPRING	1
43	17G131	SHIFTER ROD	1
44	17G171	LOCK COLLAR, 1-1/4	1
45	17G109	BEATER CLUTCH	1
46	17G169A	SNAP RING	1
47	17G119	HIGH SPEED CLUTCH, 2 JAW	1
48	17G118	HIGH SPEED GEAR	1
49	17G115	LOW SPEED, 2 SPEED GEAR BOX	1
50	S135	SQUARE KEY, 1/4 X 1-1/4	1
51	17G124	CLUTCH DOG	1
52	S136	OIL SEAL	1
53	17G100	CAP	1
54	3G18	BEARING RACE, 2.44	2
55	3G19	SNAP RING, INTERNAL	1
56	G90	CAP	1
57	L3G24	TAPERED BEARING	2
58	17G120	SHAFT	1
59	17G117	HIGH SPEED GEAR	1
60	17G112	WASHER	2
61	17G113	LOW SPEED GEAR	1
62	17G142	COMPLETE GEARBOX, 2 SPEED	1
63	17G126	DOG SPRING	3
64	YBHH12010	BOLT HEX, 3/8 X 1 G5	4
65	G92	STAINLESS SHIM	1
66	YSKP10015	SCREW SET, 5/16 X 5/16	1
67	17G138	SCR, STUD, 0.38-16 X 2.0	1
68	17G114	LOW SPEED CLUTCH	1





FIGURE 20

OPTIONAL REAR PAN (MSO3B3)

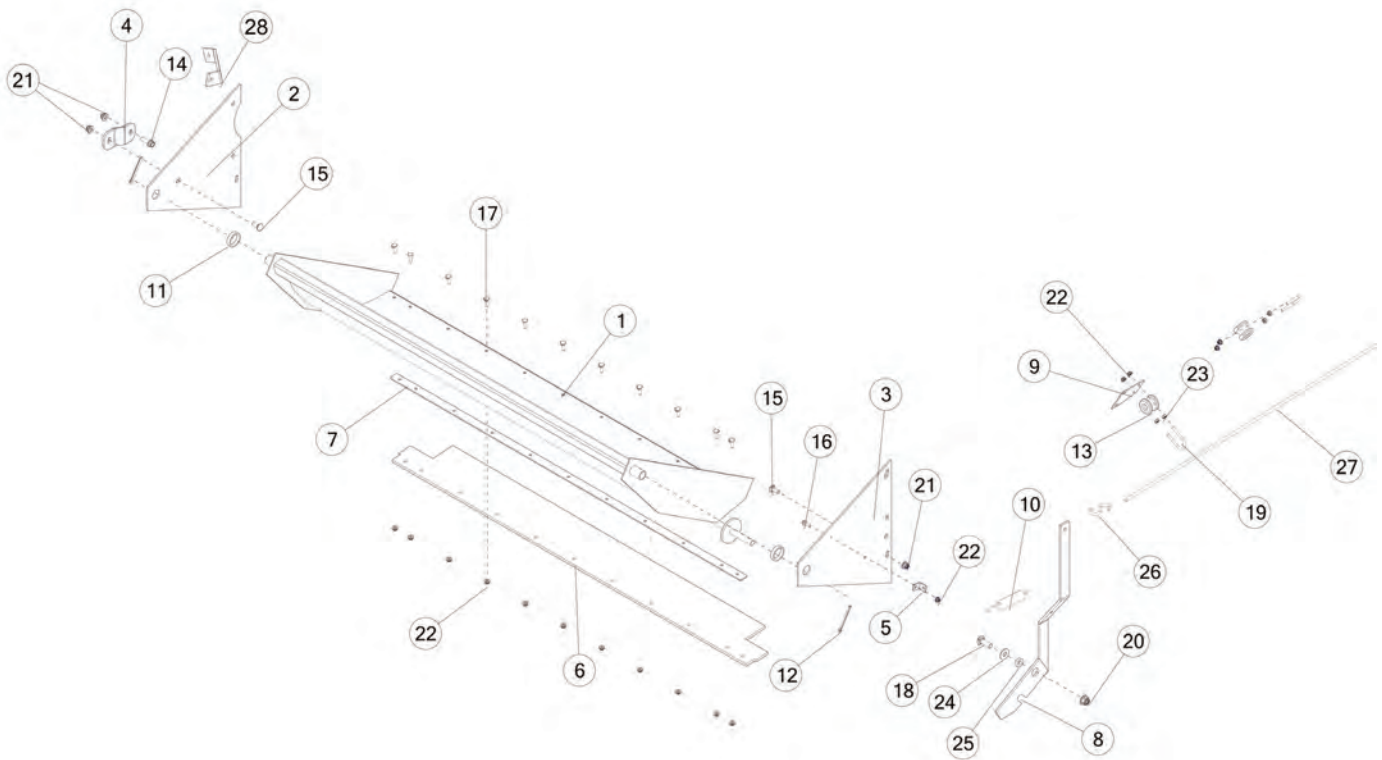




FIGURE 20

OPTIONAL REAR PAN (MSO3B3)

REF #	PART #	DESCRIPTION	QTY
1	17G20	PAN	1
2	17G18	PAN SUPPORT LH	1
3	17G17	PAN SUPPORT RH	1
4	91912	PAN BRACE	1
5	R26	SPRING BRACKET	1
6	17G21	PAN RUBBER FLAP	1
7	17G22	PAN STRAP	1
8	95721	PAN TRIP LEVER	1
9	92844	ISOLATOR PLATE	1
10	R27	PAN HANDLE SPRING	1
11	F112	SPACER	2
12	YPCT08010	COTTER PIN, 1/4 X 2-1/2	2
13	F33	ROPE GUIDE	2
14	YBFB12125	BOLT FLANGE, 3/8 X 1-1/4 G5	1
15	YBCR12010	BOLT CARRIAGE, 3/8 X 1 G5	2
16	YBFB08075	BOLT FLANGE, 1/4 X 3/4 G5	1
17	YBCR08005	BOLT CARRIAGE, 1/4 X 1 G5	11
18	YBCR16010	BOLT CARRIAGE, 1/2 X 1-1/2 G5	1
19	YBPU08005	U-BOLT, 1/4 X 3/4	2
20	YNFG16003	NUT FLANGE, 1/2 GF	1
21	YNFG12006	NUT FLANGE, 3/8 GF	3
22	YNFG08010	NUT FLANGE, 1/4 GF	16
23	YNHX08005	NUT HEX, 1/4 G5	4
24	YWFL16005	WASHER FLAT, 1/2	1
25	23N23	WASHER, TRIP LEVER SPACER	1
26	YMHK92005	S-HOOK, .262 X 2-1/4 X 11/16	1
27	17G15	PAN TRIP ROPE	1
28	17G19	PAN BRACE	1





FIGURE 21
OPTIONAL TOP BEATER (MSOTB175)

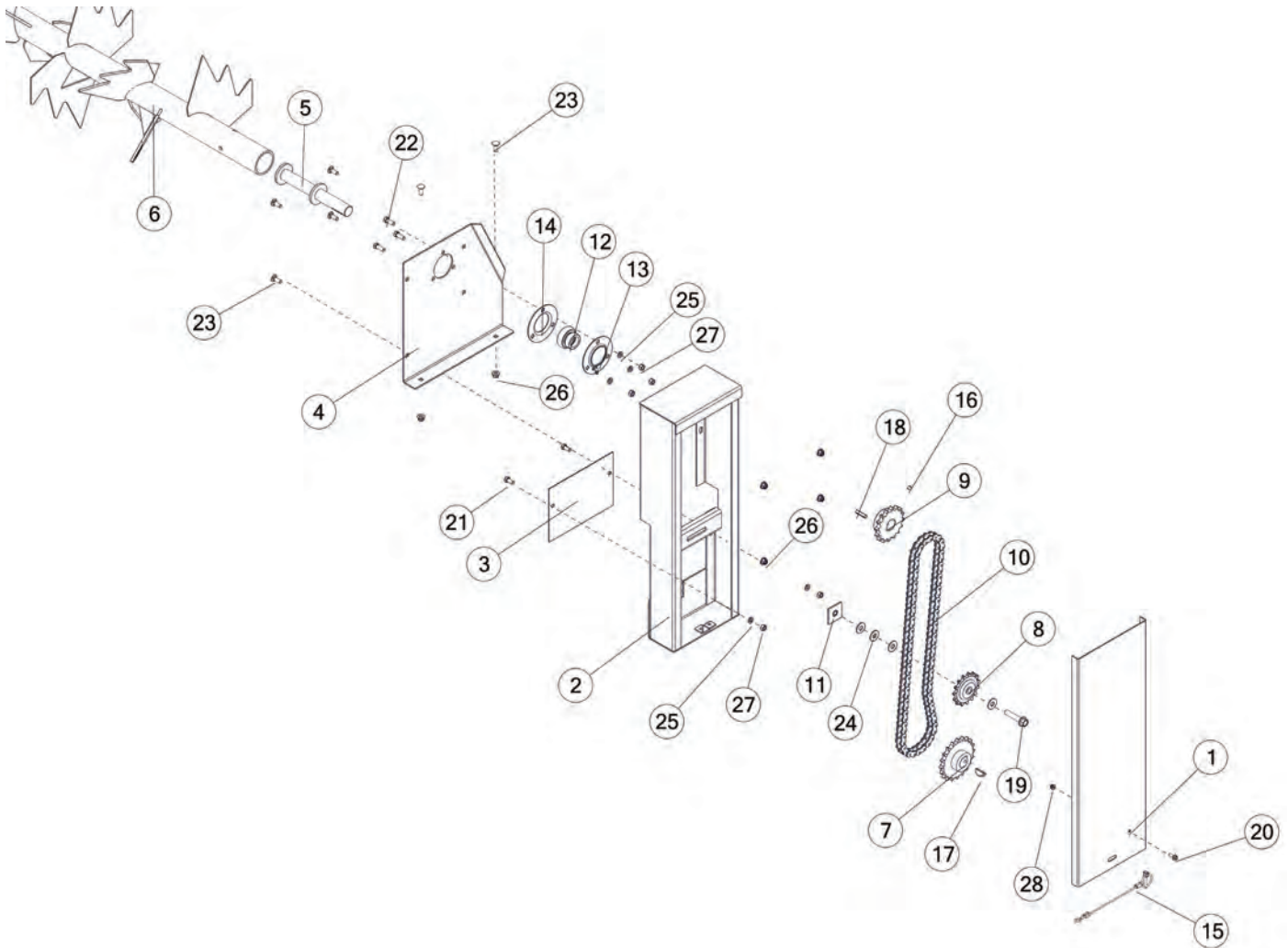




FIGURE 21
OPTIONAL TOP BEATER (MSOTB175)

REF #	PART #	DESCRIPTION	QTY
1	22G36B	COVER W/DECALS	1
2	17G181B	SHIELD W/DECALS	1
3	22G38	SHIELD	1
4	17G182	PANEL RH	1
5	17G186	STUB SHAFT RH	1
6	17G180	2ND BEATER	1
7	F13	SPROCKET, 60B20, 1.25 ID	1
8	12N42	IDLER SPROCKET, 15T	1
9	D18	SPROCKET, 16T	1
10	22G35	ROLLER CHAIN, #60, 80P	1
11	22G34	NUT BRACKET	1
12	12N122	BEARING, 1-1/4	1
13	F114A	BEARING FLANGE W/45 DEG ZERK	1
14	F14	BEARING FLANGE	1
15	S122	LYNCH PIN W/CABLE	1
16	YSKP12020	SET SCR, SCKT, KNURLED CUP PT, 3/8-16 X 1-3/4	1
17	5B9	WOODRUFF KEY, 3/8 X 1-1/4	1
18	G23B	SQUARE KEY, 5/16 X 1-3/8	1
19	YBFB16250	BOLT FLANGE, 1/2 X 2-1/2 G5	1
20	YBFB08075	BOLT FLANGE, 1/4 X 3/4 G5	1
21	YBHH12135	BOLT HEX, 3/8 X 3/4 G5	2
22	YBHH12010	BOLT HEX, 3/8 X 1 G5	3
23	YBCR12010	BOLT CARRIAGE, 3/8 X 1 G5	6
24	YWFL16005	WASHER FLAT, 1/2	4
25	YWLO12005	WASHER LOCK, 3/8	5
26	YNFG12006	NUT FLANGE, 3/8 GF	6
27	YNHX12005	NUT HEX, 3/8 G2	5
28	YNFG08010	NUT FLANGE, 1/4 GF	1





FIGURE 22

OPTIONAL TOP BEATER (MSOTB175)

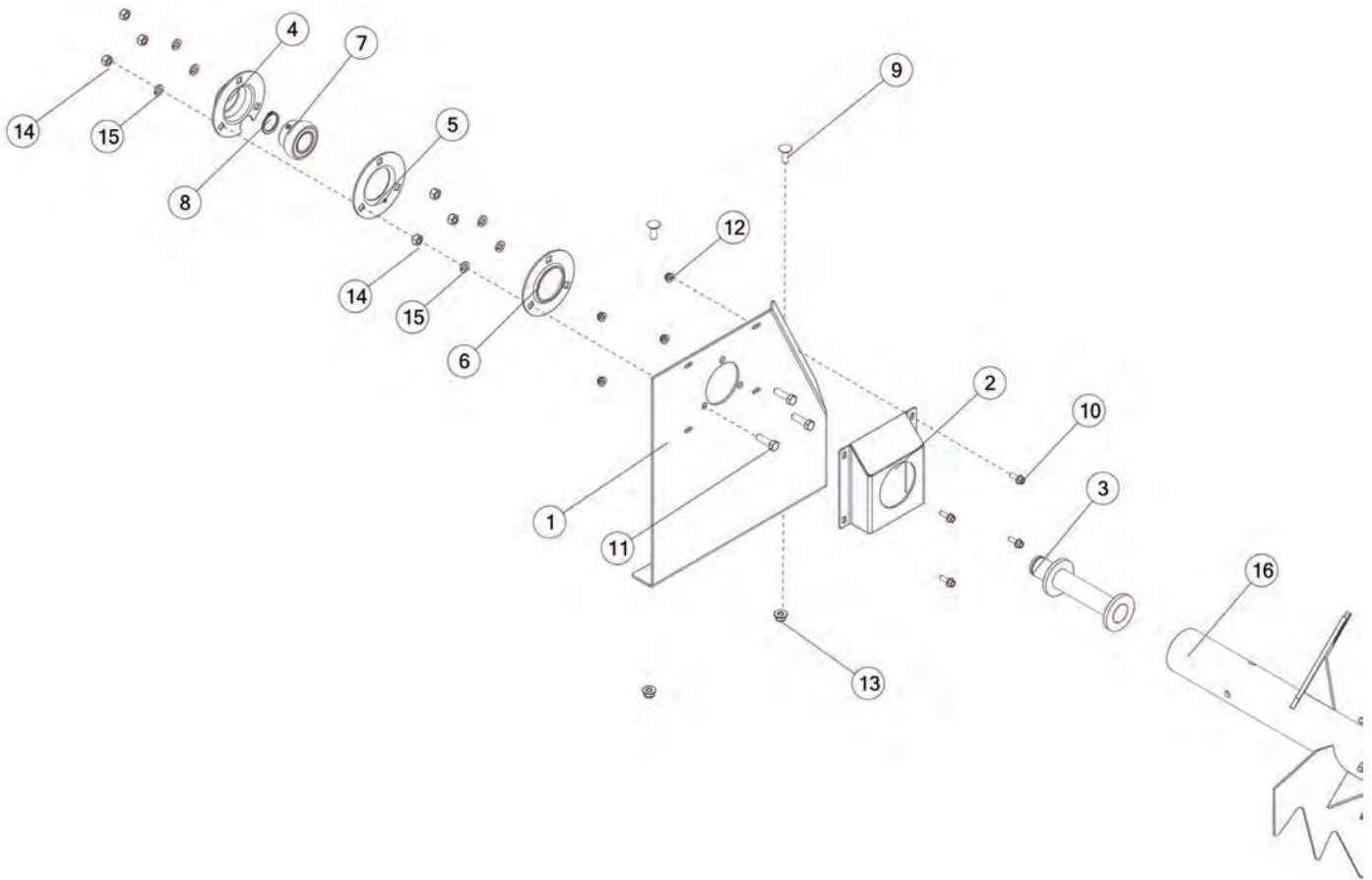




FIGURE 22

OPTIONAL TOP BEATER (MSOTB175)

REF #	PART #	DESCRIPTION	QTY
1	17G183	PANEL LH	1
2	57216	BEATER BEARING PROTECTOR	1
3	23N164	STUB SHAFT LH	1
4	77321	BEARING SHIELD	1
5	F114A	BEARING FLANGE W/45 DEG ZERK	1
6	F14	BEARING FLANGE	1
7	12N122	BEARING, 1-1/4	1
8	F73	SNAP RING, 1-1/4IN	1
9	YBCR12010	BOLT CARRIAGE, 3/8 X 1 G5	2
10	YBFB08075	BOLT FLANGE, 1/4 X 3/4 G5	4
11	YBHH12035	BOLT HEX, 3/8 X 1-1/4 G5	3
12	YNFG08010	NUT FLANGE, 1/4 GF	4
13	YNFG12006	NUT FLANGE, 3/8 GF	2
14	YNHX12005	NUT HEX, 3/8 G2	6
15	YWLO12005	WASHER LOCK, 3/8	6
16	17G180	2ND BEATER	1



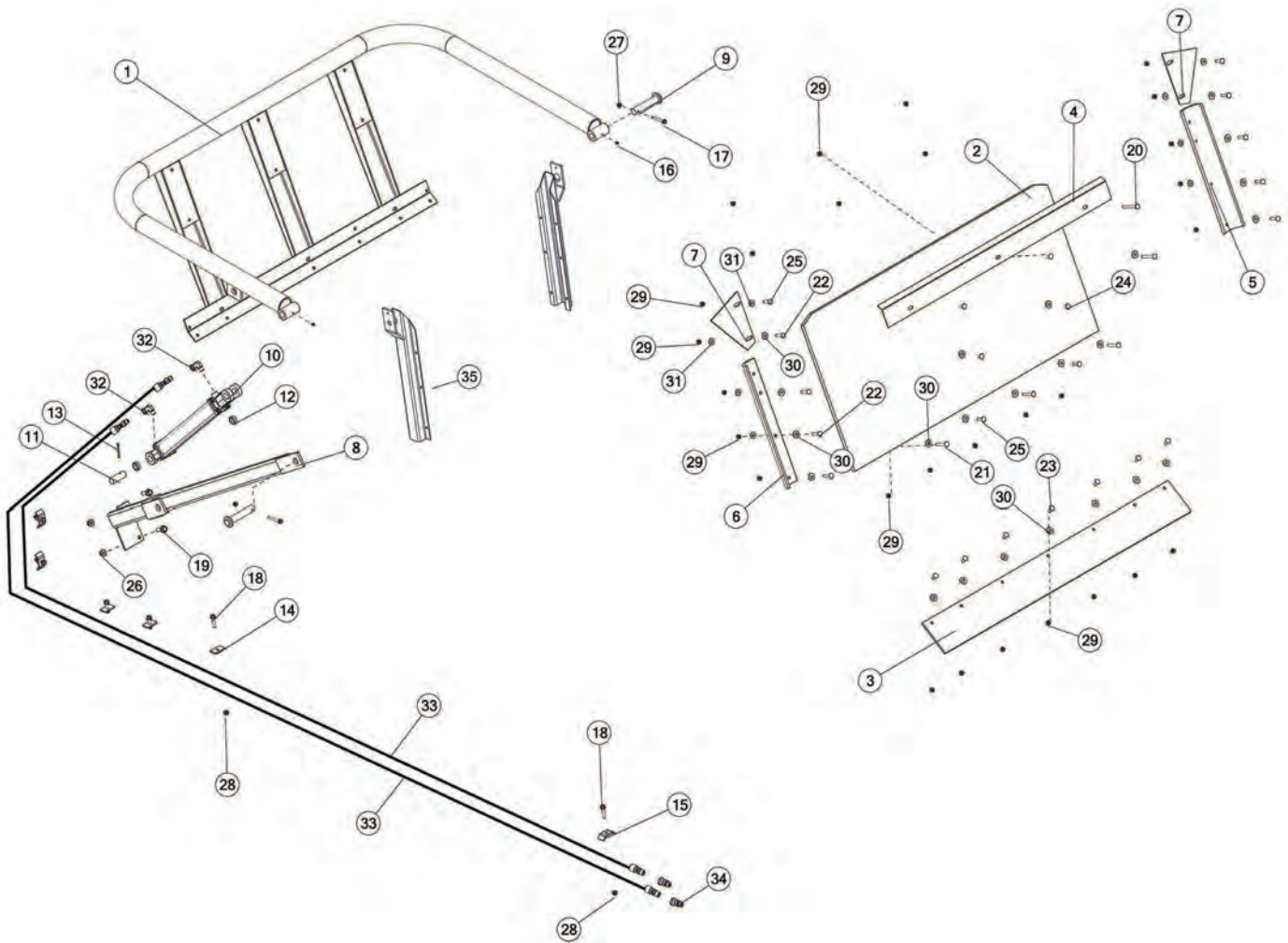




FIGURE 23

OPTIONAL HYDRAULIC ENDGATE (MSO130HE)

REF #	PART #	DESCRIPTION	QTY
1	17G77	TAILGATE FRAME	1
2	17G79	TAILGATE PLYWOOD	1
3	17G83	BOTTOM RUBBER	1
4	17G160	POLY FLOOR HOLD DOWN	1
5	17G81	SIDE RUBBER LH	1
6	17G82	SIDE RUBBER RH	1
7	17G80	TAILGATE CORNER	2
8	17G84	TAILGATE MOUNTING TUBE	1
9	17G78	TAILGATE PIN	2
10	56015	HYDRAULIC CYLINDER, 2 X 16	1
11	23N107	CYLINDER PIN	1
12	K132	SPACER, 3/8	2
13	YPCT07005	COTTER PIN, 7/32 X 2	1
14	17G87	HOSE BRACKET	3
15	23N67	TAILGATE HOSE BRACKET	3
16	MS26	STRAIGHT STANDARD SHORT ZERK, 1/4	2
17	YBFB10250	BOLT FLANGE, 5/16 X 2-1/2 G5	2
18	YBFB12175	BOLT FLANGE, 3/8 X 1-3/4 G5	6
19	YBFB16150	BOLT FLANGE, 1/2 X 1-1/2 G5	2
20	YBCR12070	BOLT CARRIAGE, 3/8-16 X 3-1/2 G5 ZC	3
21	YBCR12040	BOLT CARRIAGE, 3/8-16 X 2-1/2 G5 ZC	3
22	YBCR12030	BOLT CARRIAGE, 3/8-16 X 1-3/4 G5 ZC	8
23	YBCR12010	BOLT CARRIAGE, 3/8 X 1 G5	7
24	YBCR12055	BOLT CARRIAGE, 3/8 X 3 G5	3
25	YBCR12015	BOLT CARRIAGE, 3/8-16 X 1-1/2 G5	4
26	YNFG16003	NUT FLANGE, 1/2 GF	2
27	YNFG10005	NUT FLANGE, 5/16 GF	2
28	YNFG12006	NUT FLANGE, 3/8 GF	6
29	YNHX12005	NUT HEX, 3/8 G2	28
30	YWFL14005	WASHER FLAT, 7/16	23
31	YWFL12005	WASHER FLAT, 3/8 G5	8
32	DWM110	FITTING 90, 3/8NPT X 3/8NPSM	2
33	93295	HYDRAULIC HOSE, 6 X 240	2
34	DWM205	MALE QUICK COUPLER W/HYD TIP	2
35	92869	ENDGATE STAKE	2







Manufactured By:

H&S MANUFACTURING CO., INC.

2608 S. HUME AVE. MARSHFIELD, WI 54449

(715) 387-3414 | hsmfgco.com

