



S2217
MANURE
SPREADER
PARTS BOOK

Part #91917 HSMFG 071421 Rev. #00 Starting Ser. #222PD17001

STRONG HERITAGE - STRONG PEOPLE - STRONGER FUTURE



FIGURE #	CONTENTS	PAGE #
*	INSTRUCTIONS FOR ORDERING PARTS	1
1	FRONT POLE & COMPONENTS	2-3
2	FRONT SHIELDS & COMPONENTS	4-5
3	FRONT SHAFT & COMPONENTS	6-7
4	SHIFTING LINKAGES & COMPONENTS	8-9
5	SIDE SHIELDS & COMPONENTS	10-11
6	GEARBOX SHIELD & COMPONENTS	12-13
7	SIDE SHAFT & COMPONENTS	14-15
8	GEARBOX SPROCKETS & COMPONENTS	16-17
9	BEATER & COMPONENTS	18-19
10	WHEEL & HUB & COMPONENTS	20-21
11	FRONT SPLASH GUARD	22-23
12	FRONT PANEL & COMPONENTS	24-25
13	FRONT FRAME & COMPONENTS	26-27
14	REAR FRAME & COMPONENTS	28-29
15	SIDE PANELS & COMPONENTS	30-31
16	FLOOR	32-33
17	CHAIN	34-35
18	PTO	36-37
19	GEARBOX	38-41
20	OPTIONAL REAR PAN (MSO3B3)	42-43
21	OPTIONAL HYDRAULIC ENDGATE (MSO2B175)	44-45
22	OPTIONAL TOP BEATER (MSOTB175)	46-47
23	OPTIONAL TOP BEATER (MSOTB175)	48-49
*	PARTS NOTES	50



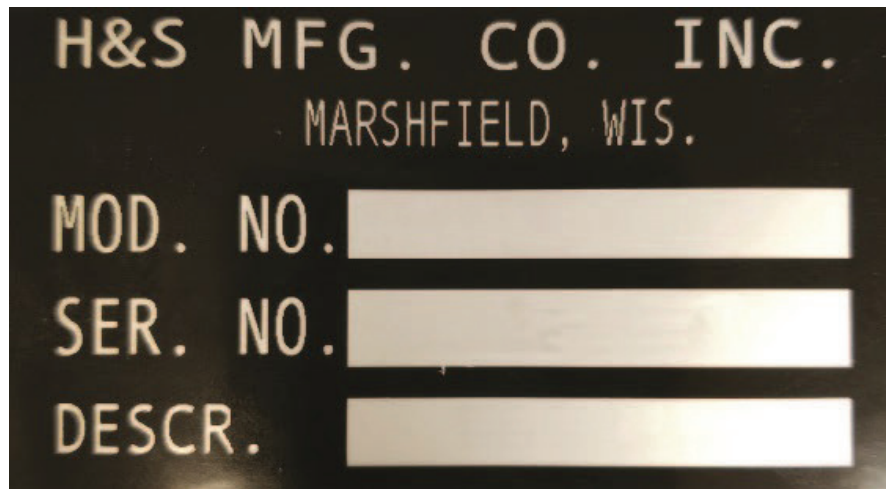
INSTRUCTIONS FOR ORDERING PARTS

All service parts should be ordered through your authorized H&S dealer. Your Dealership will be able to give you faster service if you will provide them with the following:

1. All references to left or right apply to the machine as viewed from the rear.
2. Parts should not be ordered from illustration only. Please order complete part number.
3. If your dealer has to order parts - give shipping instructions:

VIA truck - large pieces (please specify local truck lines)

VIA United Parcel Service (include full address)



PLEASE RECORD NUMBERS FOR YOUR UNIT FOR QUICK REFERENCE

H&S IS CONTINUALLY STRIVING TO IMPROVE ITS PRODUCTS

We must, therefore, reserve the right to make improvements or changes whenever it becomes practical to do so, without incurring any obligation to make changes or additions to the equipment previously sold.





FIGURE 1 FRONT POLE & COMPONENTS

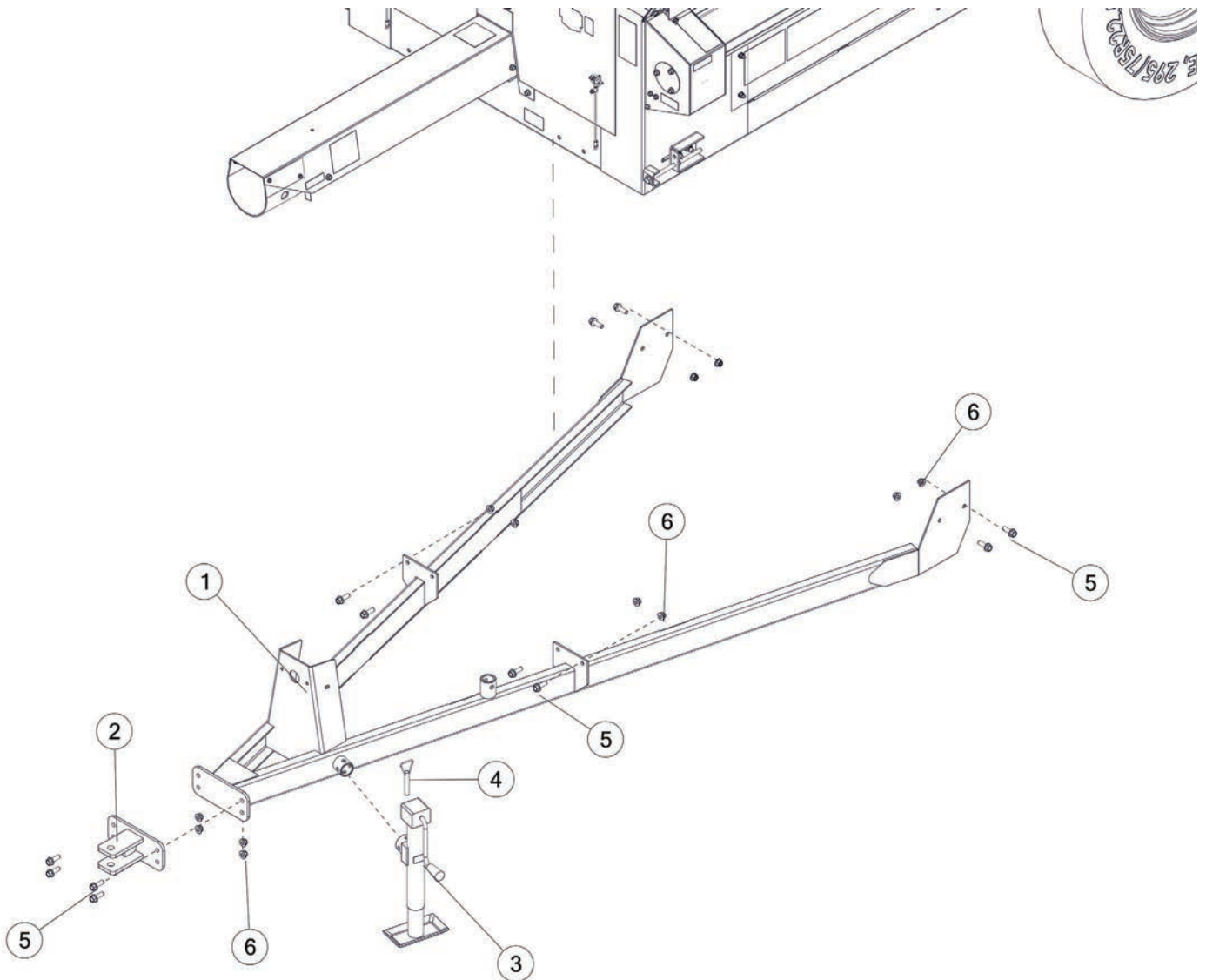




FIGURE 1 FRONT POLE & COMPONENTS

REF #	PART #	DESCRIPTION	QTY
1	91588B	POLE W/DECAL	1
2	91186	HITCH	1
3	12N116	SIDE WIND JACK, 2000#	1
4	12N117	JACK PIN	1
5	YBFB16150	BOLT FLANGE, 1/2 X 1-1/2 G5	12
6	YNFG16003	NUT FLANGE, 1/2 GF	12
*	SC10100	SAFETY CHAIN, 10,100 LB	1





FIGURE 2 FRONT SHIELDS & COMPONENTS

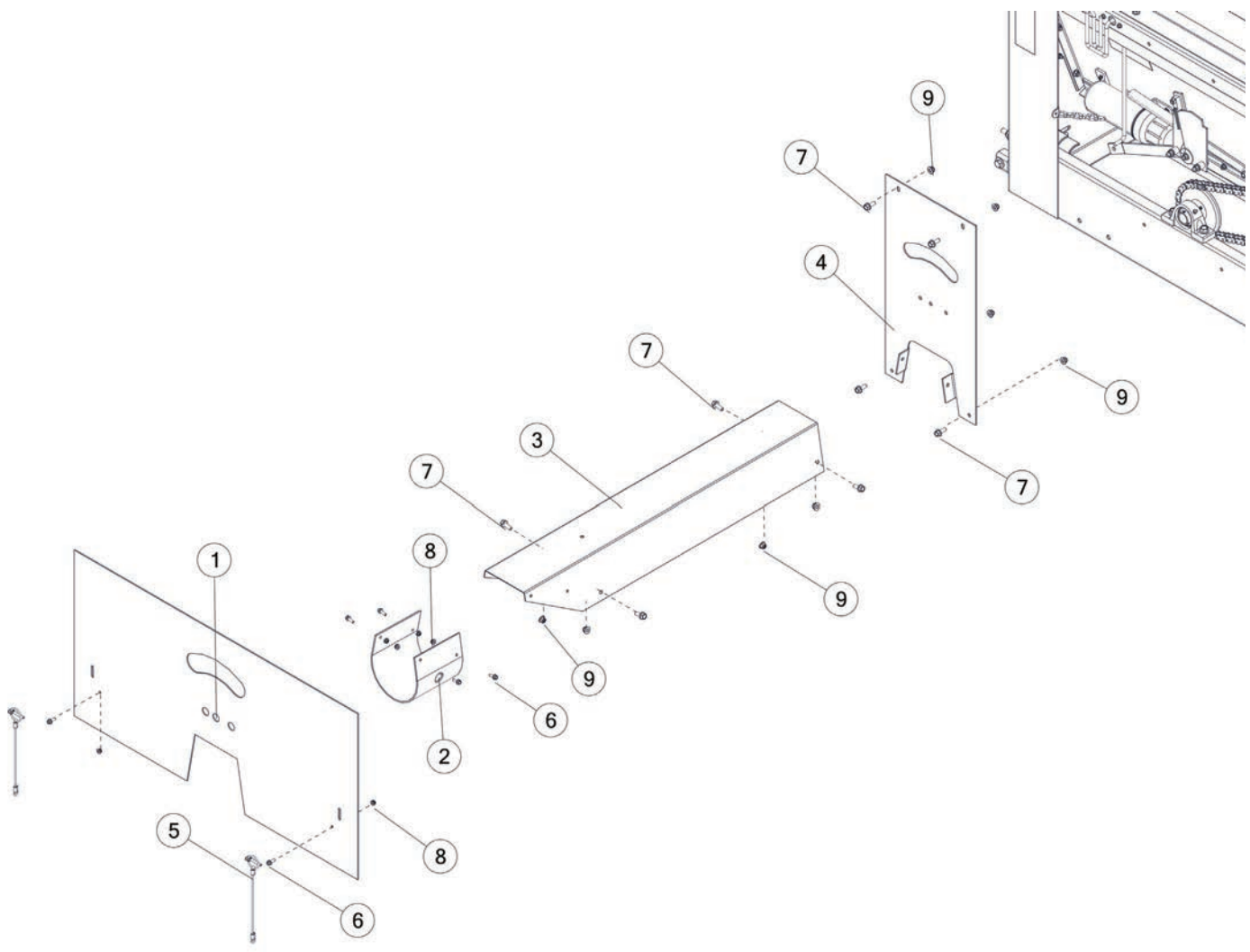




FIGURE 2 FRONT SHIELDS & COMPONENTS

REF #	PART #	DESCRIPTION	QTY
1	91654B	FRONT POLY SHIELD W/DECALS	1
2	F54	PTO RUBBER	1
3	91639B	FRONT SHAFT SHIELD W/DECALS	1
4	91636	FRONT PANEL	1
5	S122	LYNCH PIN W/CABLE	2
6	YBFB08075	BOLT FLANGE, 1/4 X 3/4 G5	6
7	YBFB12003	BOLT FLANGE, 3/8 X 1 G5 ZC	8
8	YNFG08010	NUT FLANGE , 1/4 GF	6
9	YNFG12006	NUT FLANGE, 3/8 GF	8





FIGURE 3
FRONT SHAFT & COMPONENTS

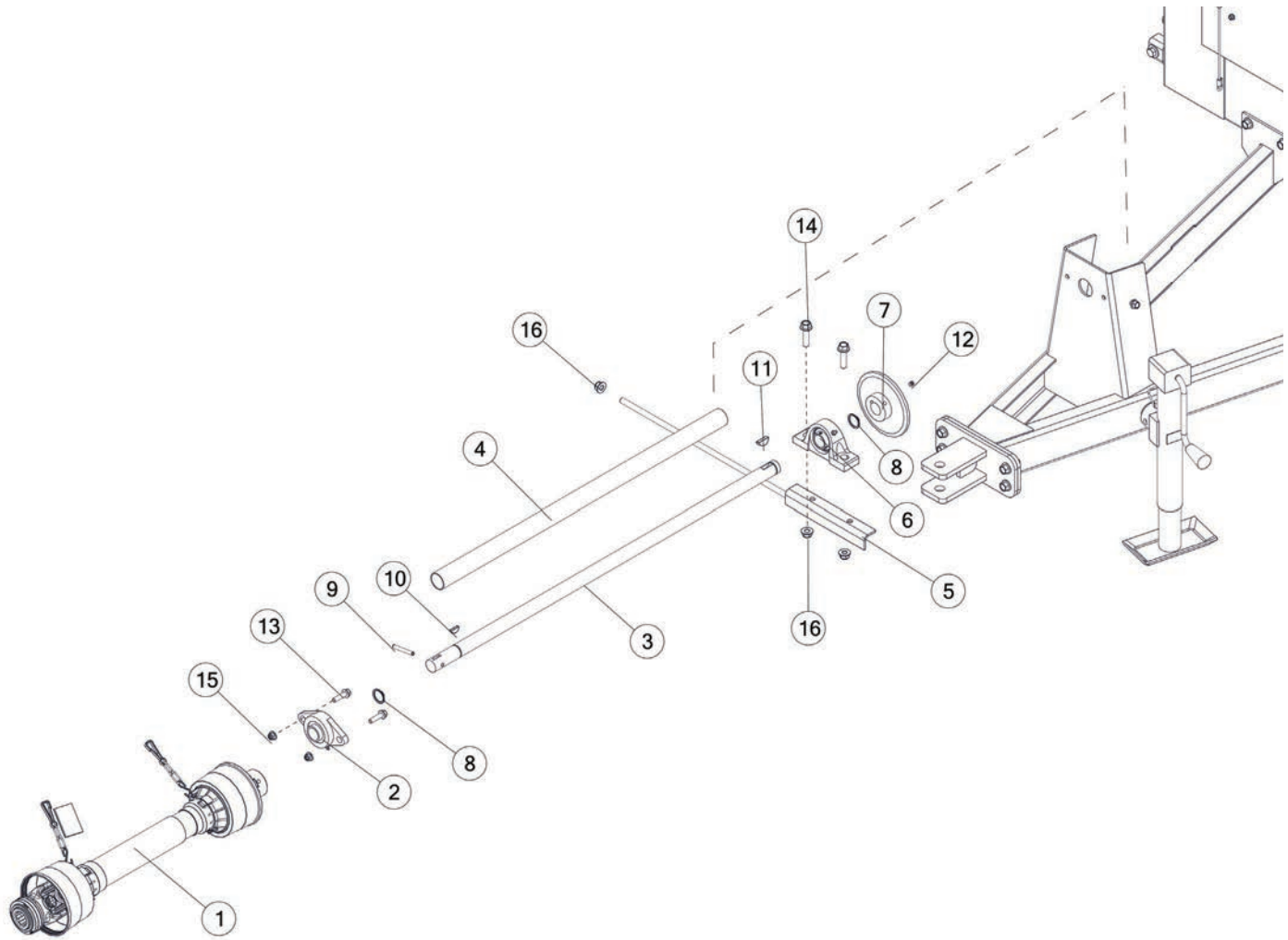




FIGURE 3

FRONT SHAFT & COMPONENTS

REF #	PART #	DESCRIPTION	QTY
1	12N102Z	PTO COMPLETE, M	1
2	12N29	FLANGE BEARING	1
3	17G50	FRONT SHAFT	1
4	17G179	FRONT SHAFT PVC GUARD	1
5	17G48	TIGHTENER ROD	1
6	17G7	PILLOW BLOCK BEARING	1
7	23N70	SPROCKET, 25T	1
8	F73	SNAP RING, 1-1/4IN	2
9	YPEX10250	EXPANSION PIN, 5/16 X 2-1/2	1
10	5B10	WOODRUFF KEY, 1/4 X 1	1
11	5B9	WOODRUFF KEY, 3/8 X 1-1/4	1
12	YSKP12025	SCREW SET SOCKET, KNURLED CUP PT, 3/8 X 3/8	1
13	YBFB12150	BOLT FLANGE, 3/8 X 1-1/2 G5	2
14	YBFB16200	BOLT FLANGE, 1/2 X 2 G5	2
15	YNFG12006	NUT FLANGE, 3/8 GF	2
16	YNFG16003	NUT FLANGE, 1/2 GF	3





FIGURE 4 SHIFTING LINKAGES & COMPONENTS

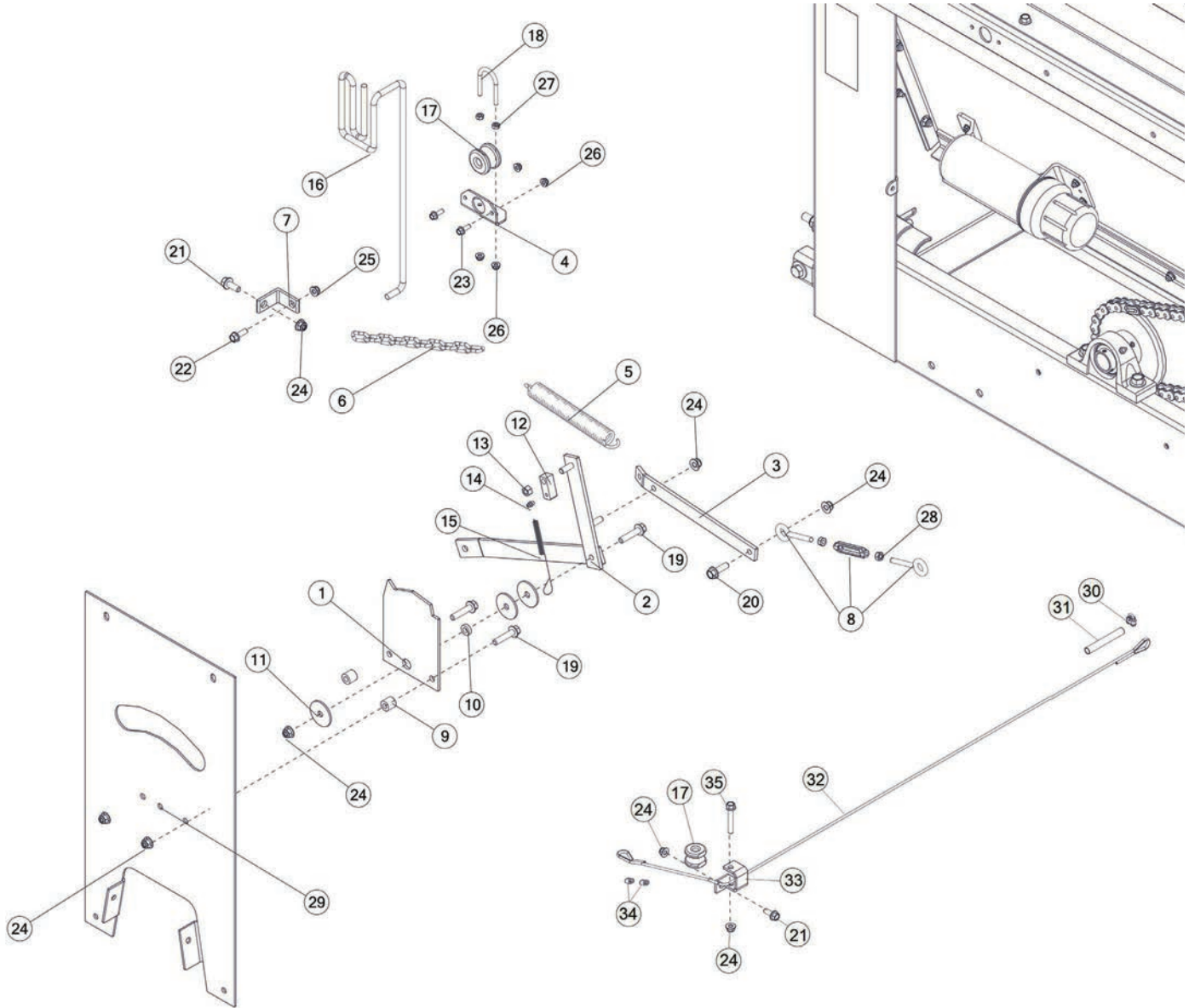




FIGURE 4

SHIFTING LINKAGES & COMPONENTS

REF #	PART #	DESCRIPTION	QTY
1	23N283	STOP BRACKET	1
2	23N280	SHIFTER LEVER	1
3	23N281	PIVOT LINK BRACKET	1
4	71972	CABLE GUIDE BRACKET, FRONT	1
5	10R14	COIL SPRING	1
6	76054	CHAIN	1
7	17G177	SPRING MOUNT BRACKET	1
8	F84	TURNBUCKLE	1
9	ST81	SPACER	2
10	23N297	TUBE	1
11	YWCU12005	WASHER	3
12	23N282	SHIFTER DOG BRACKET, 5/8	1
13	YNRL12005	NUT HEX, REVERSIBLE-SIDE LOCK, 3/8	1
14	G89	STRAIGHT ZERK, 1/4-28 X 90	1
15	23N284	SHIFTER DOG SPRING	1
16	23N183	ROPE, .38 X 180	1
17	F33	ROPE GUIDE	2
18	YBPU08005	U-BOLT, 1/4 X 3/4	1
19	YBFB12175	BOLT FLANGE, 3/8 X 1-3/4 G5	3
20	YBFB12125	BOLT FLANGE, 3/8 X 1-1/4 G5	1
21	YBFB12003	BOLT FLANGE, 3/8 X 1 G5 ZC	2
22	YBFB10001	BOLT FLANGE, 5/16 X 1 G5	1
23	YBFB08075	BOLT FLANGE, 1/4 X 3/4 G5	2
24	YNFG12006	NUT FLANGE, 3/8 GF	8
25	YNFG10005	NUT FLANGE, 5/16 GF	1
26	YNFG08010	NUT FLANGE, 1/4 GF	4
27	YNHX08005	NUT HEX, 1/4 G5	2
28	YNHX10015	NUT HEX, 5/16-18 NA G2 ZC LH	2
29	91636	FRONT PANEL	1
30	BFR220	CABLE CLAMP, 3/16	1
31	72120	HEAT SHRINK	1
32	17G174	CABLE	1
33	17G55	ROPE GUIDE BRACKET	1
34	71279	SLEEVE	2
35	YBFB12250	BOLT FLANGE, 3/8 X 2-1/2 G5	1





FIGURE 5 SIDE SHIELDS & COMPONENTS

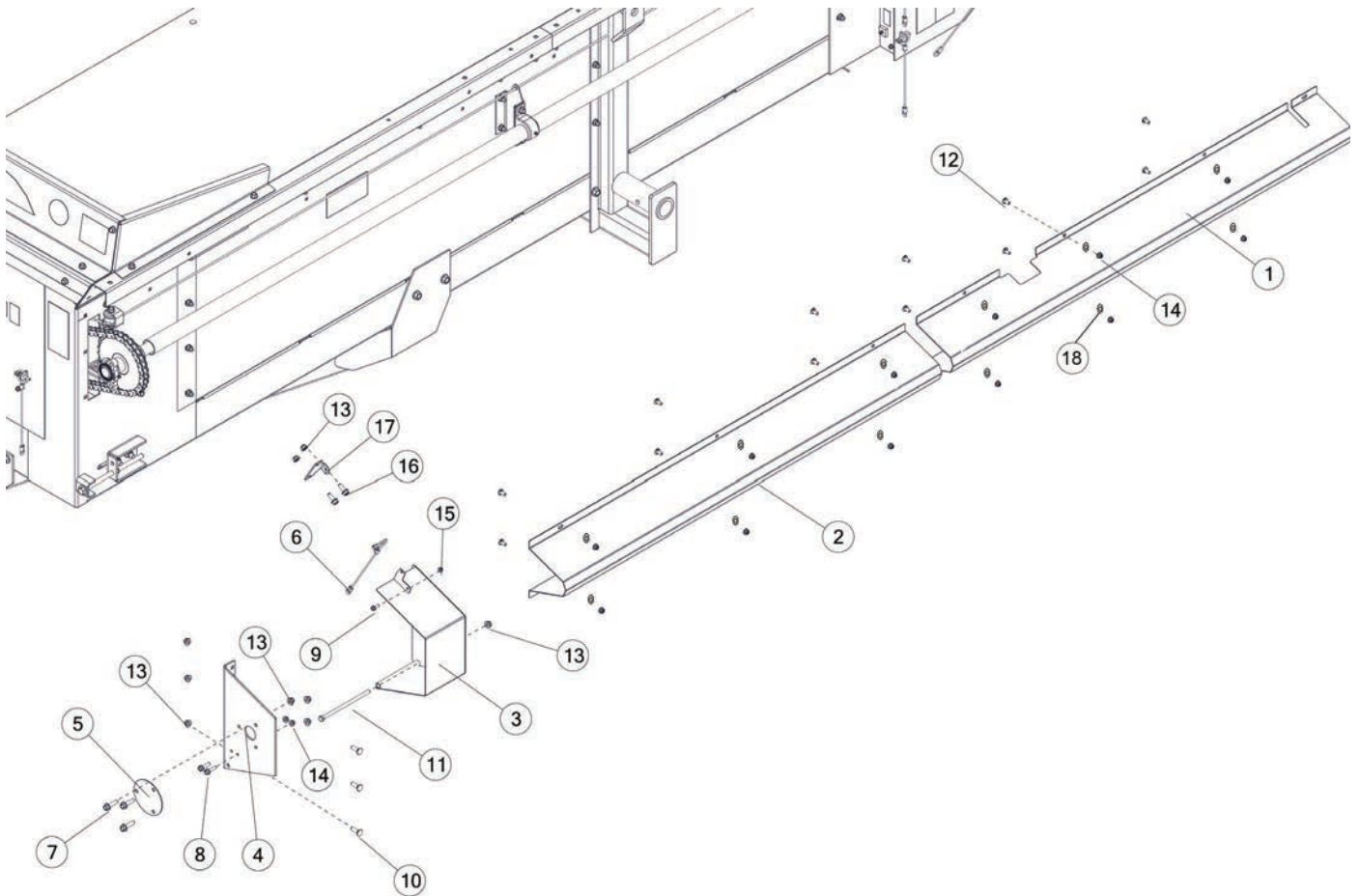




FIGURE 6

GEARBOX SHIELD & COMPONENTS

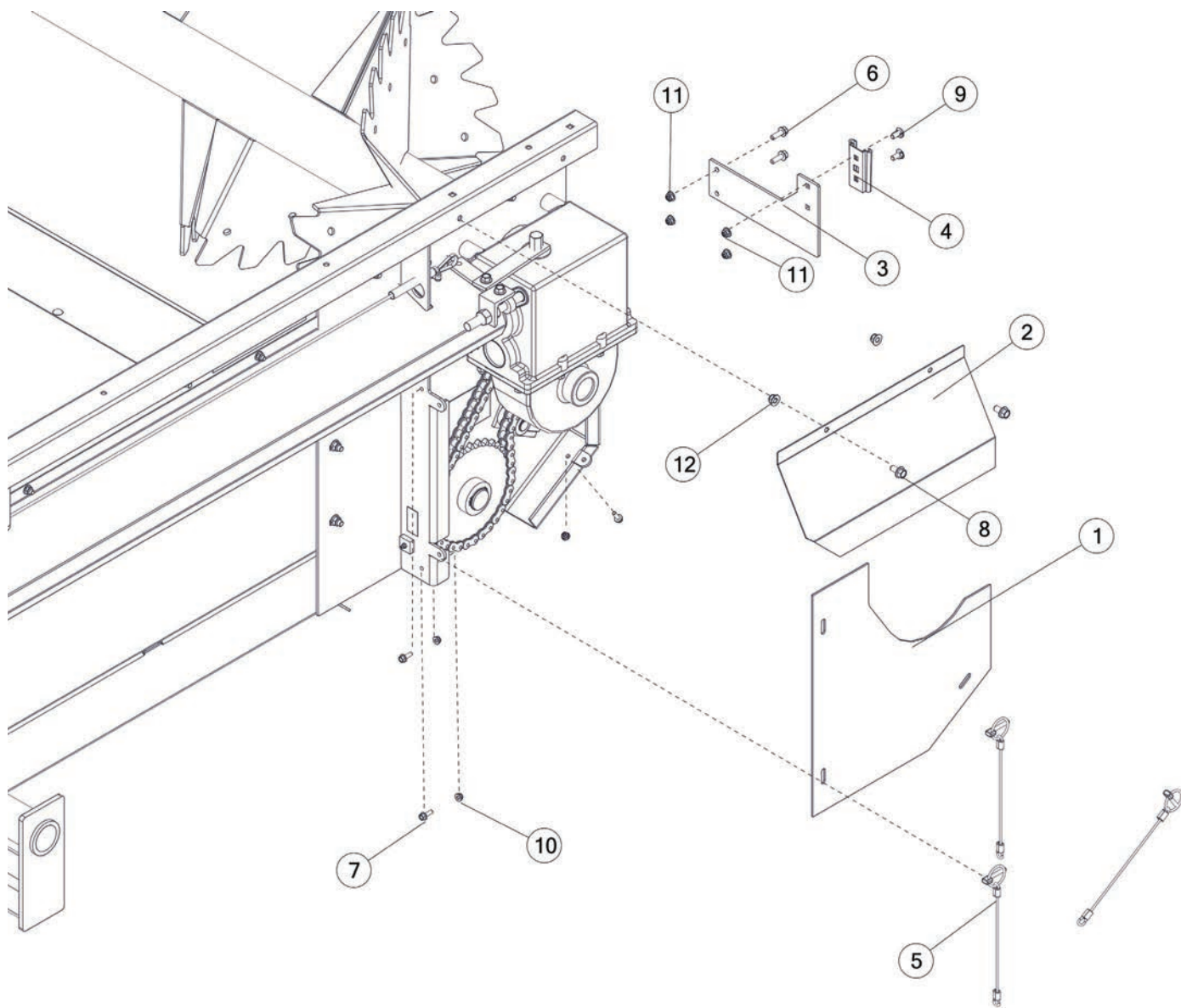




FIGURE 6 GEARBOX SHIELD & COMPONENTS

REF #	PART #	DESCRIPTION	QTY
1	91755B	REAR CHAIN SHIELD W/DECALS	1
2	91760B	GEARBOX SHIELD W/DECALS	1
3	91761B	SMV BRACKET W/DECALS	1
4	F97	SMV BRACKET	1
5	S122	LYNCH PIN W/CABLE	3
6	YBFB10001	BOLT FLANGE, 5/16 X 1 G5	2
7	YBFB08075	BOLT FLANGE, 1/4 X 3/4 G5	3
8	YBFB12075	BOLT FLANGE, 3/8 X 3/4 G5	2
9	YBCR10030	BOLT CARRIAGE, 5/16 X 3/4 G5	2
10	YNFG08010	NUT FLANGE, 1/4 GF	3
11	YNFG10005	NUT FLANGE, 5/16 GF	4
12	YNFG12006	NUT FLANGE, 3/8 GF	2





FIGURE 7 SIDE SHAFT & COMPONENTS

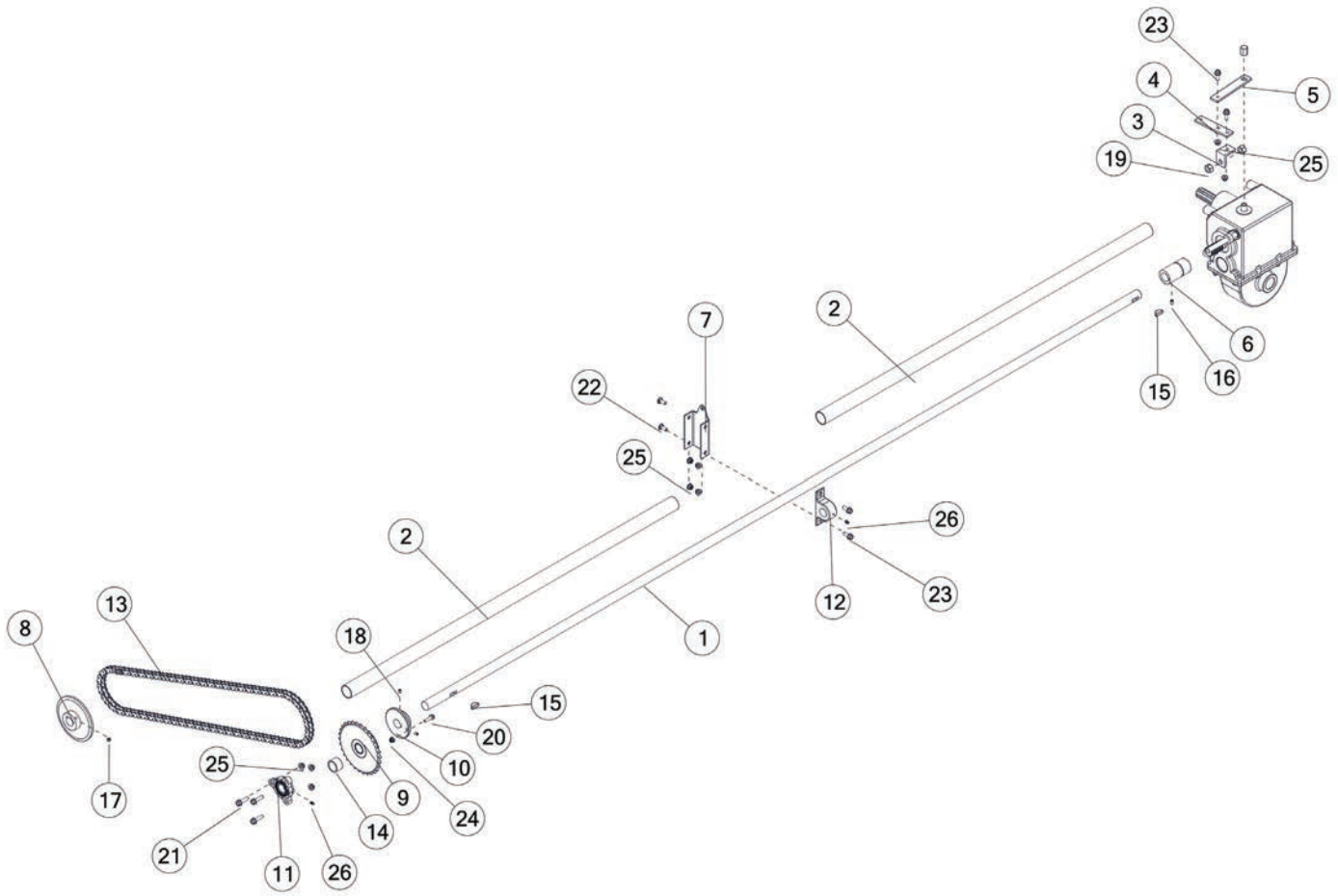




FIGURE 7

SIDE SHAFT & COMPONENTS

REF #	PART #	DESCRIPTION	QTY
1	91572	SIDE SHAFT	1
2	91669	SIDE SHAFT GUARD	2
3	23N291	SHIFTER ROD BRACKET	1
4	23N290	SHIFTER ROD BRACKET	1
5	23N289	SHIFTER ROD LEVER FULCRUM	1
6	17G65	COUPLER	1
7	70130	PLATE	1
8	23N70	SPROCKET, 25	1
9	91569	SINGLE SPROCKET, 30	1
10	91265	SHEAR HUB	1
11	80662	BEARING, 1-1/4	1
12	12N36	PILLOW BLOCK BEARING, 1-1/4	1
13	17G49	CHAIN, ROLL, #60, 116	1
*	D39	CONNECTOR LINK, #60	1
14	R17	SPACER	1
15	5B9	WOODRUFF KEY, 3/8 X 1-1/4	2
16	YSKP12010	SCREW SOCKET HEAD, 3/8 X 1/2	1
17	YSKP12025	SCREW SET SOCKET, KNURLED CUP PT, 3/8 X 3/8	1
18	YSKP10010	SCREW SOCKET HEAD, 5/16 X 3/8	2
19	YNHX20005	NUT HEX, 5/8	2
20	YBFB10125	BOLT FLANGE, 5/16 X 1-1/4 G5	1
21	YBFB12150	BOLT FLANGE, 3/8 X 1-1/2 G5	3
22	YBCR12010	BOLT CARRIAGE, 3/8 X 1 G5	2
23	YBFB12003	BOLT FLANGE, 3/8 X 1 G5 ZC	2
24	YNFG10005	NUT FLANGE, 5/16 GF	1
25	YNFG12006	NUT FLANGE, 3/8 GF	9
26	G89	STRAIGHT ZERK, 1/4-28 X 90	2





FIGURE 8

GEARBOX SPROCKETS & COMPONENTS

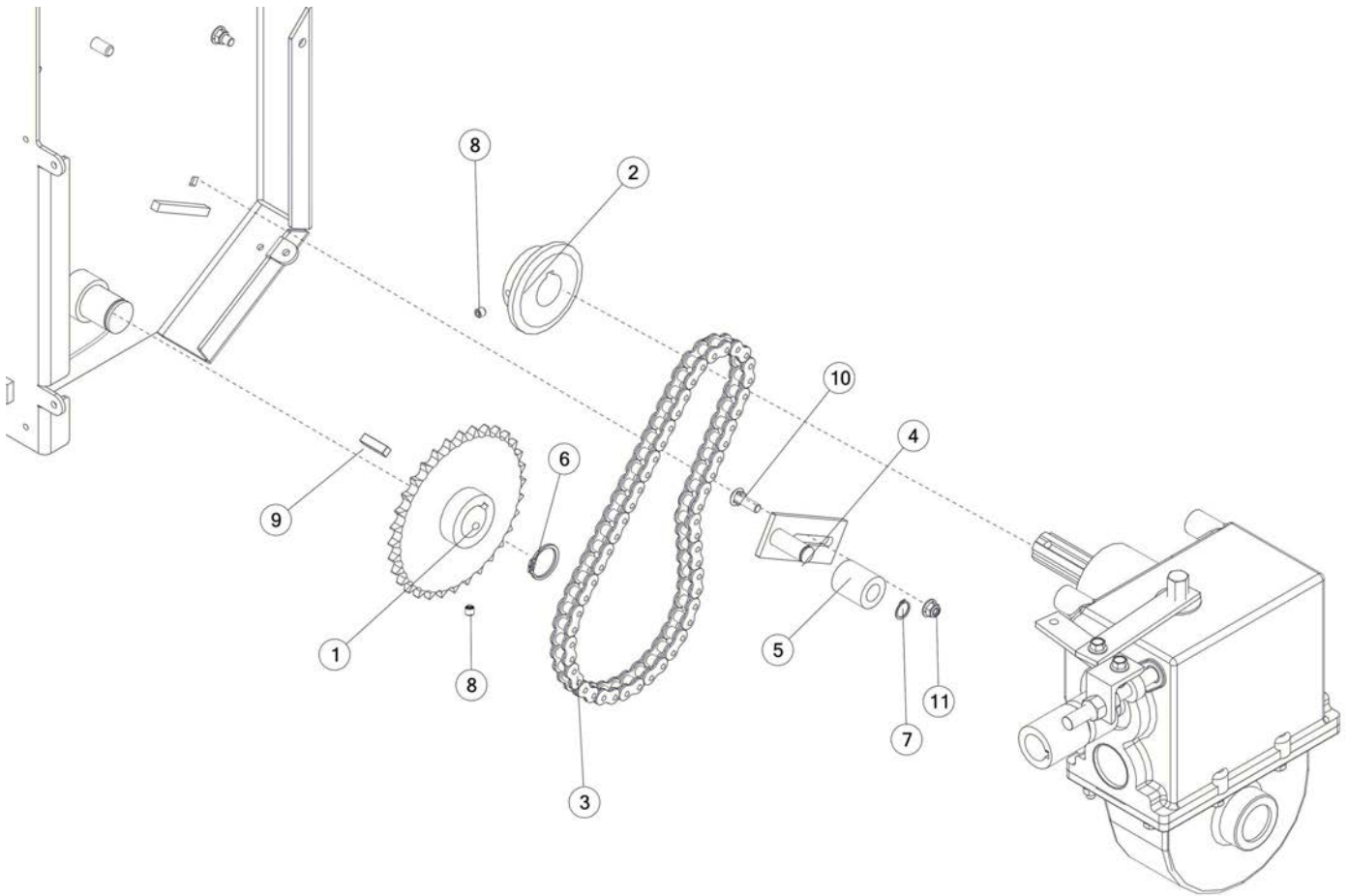
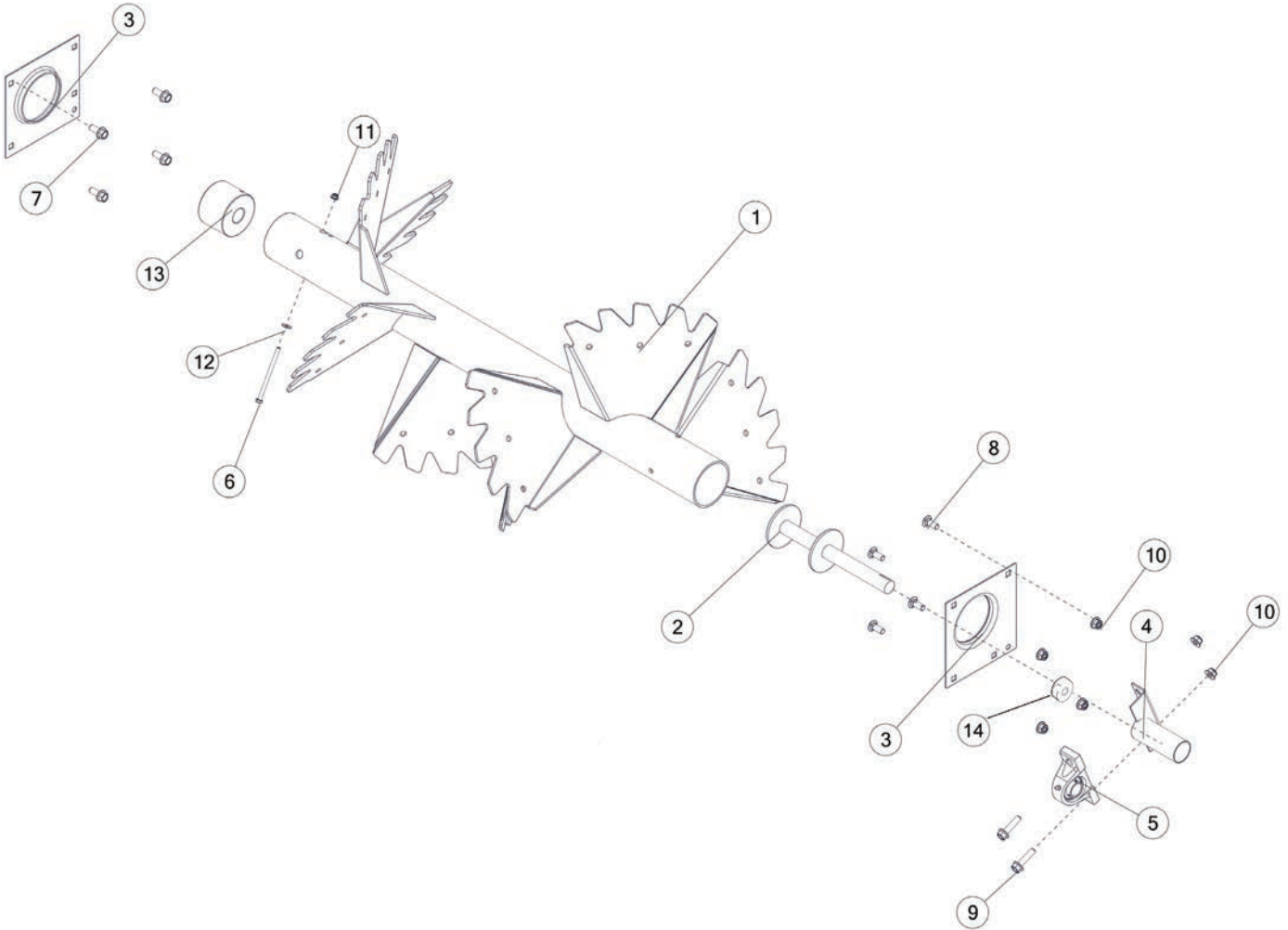




FIGURE 9 BEATER & COMPONENTS



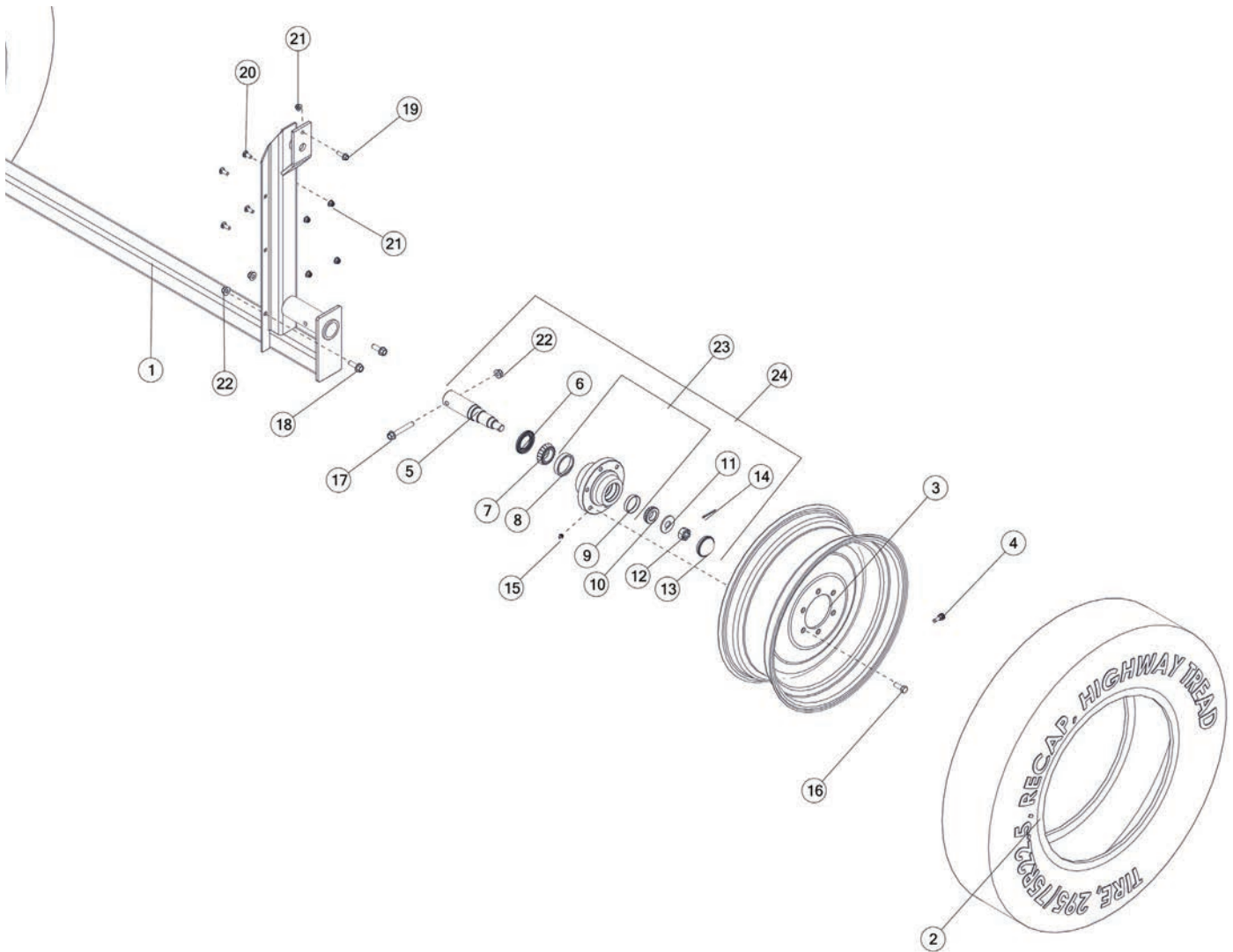




FIGURE 10

WHEEL AND HUB & COMPONENTS

REF #	PART #	DESCRIPTION	QTY
1	91438	AXLE	1
2	UR19	TIRE, 295/75R22.5	2
3	55621SR	WHEEL 22.5 X 8.25, 6.00 BC, SILVER	2
4	72438	VALVE STEM, 1-1/2	2
5	17G152	SPINDLE RH	2
6	17G151	GREASE SEAL	2
7	17G150	INNER BEARING	2
8	17G149	INNER RACE	2
9	17G146	OUTER RACE	2
10	17G145	TAPERED ROLLER BEARING	2
11	YWFL28005	WASHER FLAT, 7/8	2
12	YNSL28005	NUT HEX, SLOTTED, 7/8 G2	2
13	17G144	HUB CAP	2
14	YPCT05020	COTTER PIN, 5/32 X 1-1/2	2
15	54595	GREASE ZERK, 1/8 NPT	2
16	YBWL16010	BOLT WHEEL, 1/2 X 1-1/4 G5	12
17	YBFB16350	BOLT FLANGE, 1/2 X 3-1/2 G5	2
18	YBFB16150	BOLT FLANGE, 1/2 X 1-1/2 G5	4
19	YBFB12125	BOLT FLANGE, 3/8 X 1-1/4 G5	2
20	YBCR12010	BOLT CARRIAGE, 3/8 X 1 G5	8
21	YNFG12006	NUT FLANGE, 3/8 GF	10
22	YNFG16003	NUT FLANGE, 1/2 GF	2
23	75974	HUB ASSEMBLY	2
24	86816	COMPLETE HUB W/SPINDLE	2





FIGURE 11
FRONT SPLASH GUARD

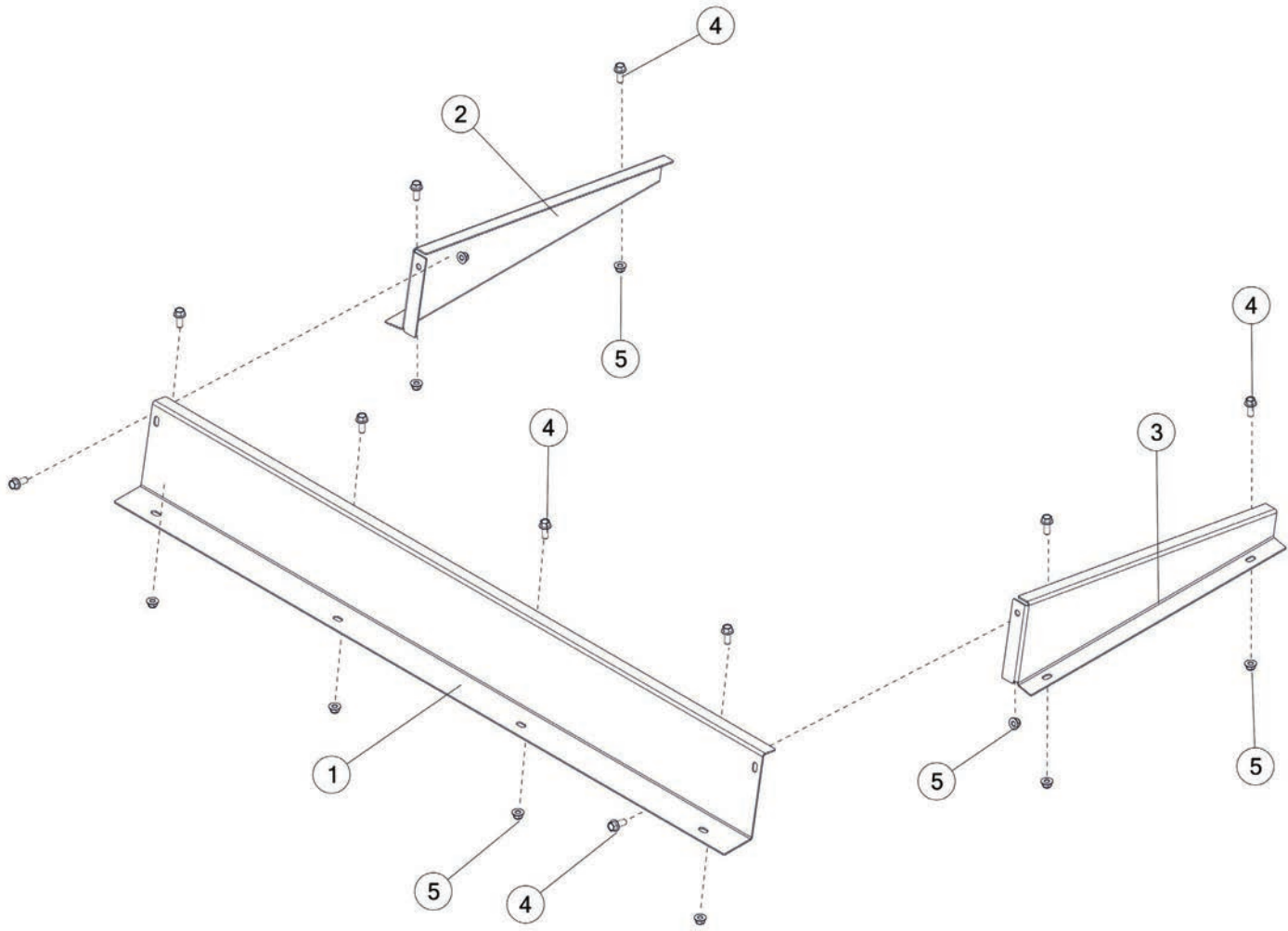




FIGURE 11
FRONT SPLASH GUARD

REF #	PART #	DESCRIPTION	QTY
1	91840B	FRONT SPLASH W/DECALS	1
2	91844	SPLASH GUARD SIDE RH	1
3	91841	SPLASH GUARD SIDE LH	1
4	YBFB12003	BOLT FLANGE, 3/8 X 1 G5 ZC	10
5	YNFG12006	NUT FLANGE, 3/8 GF	10





FIGURE 12 FRONT PANEL & COMPONENTS

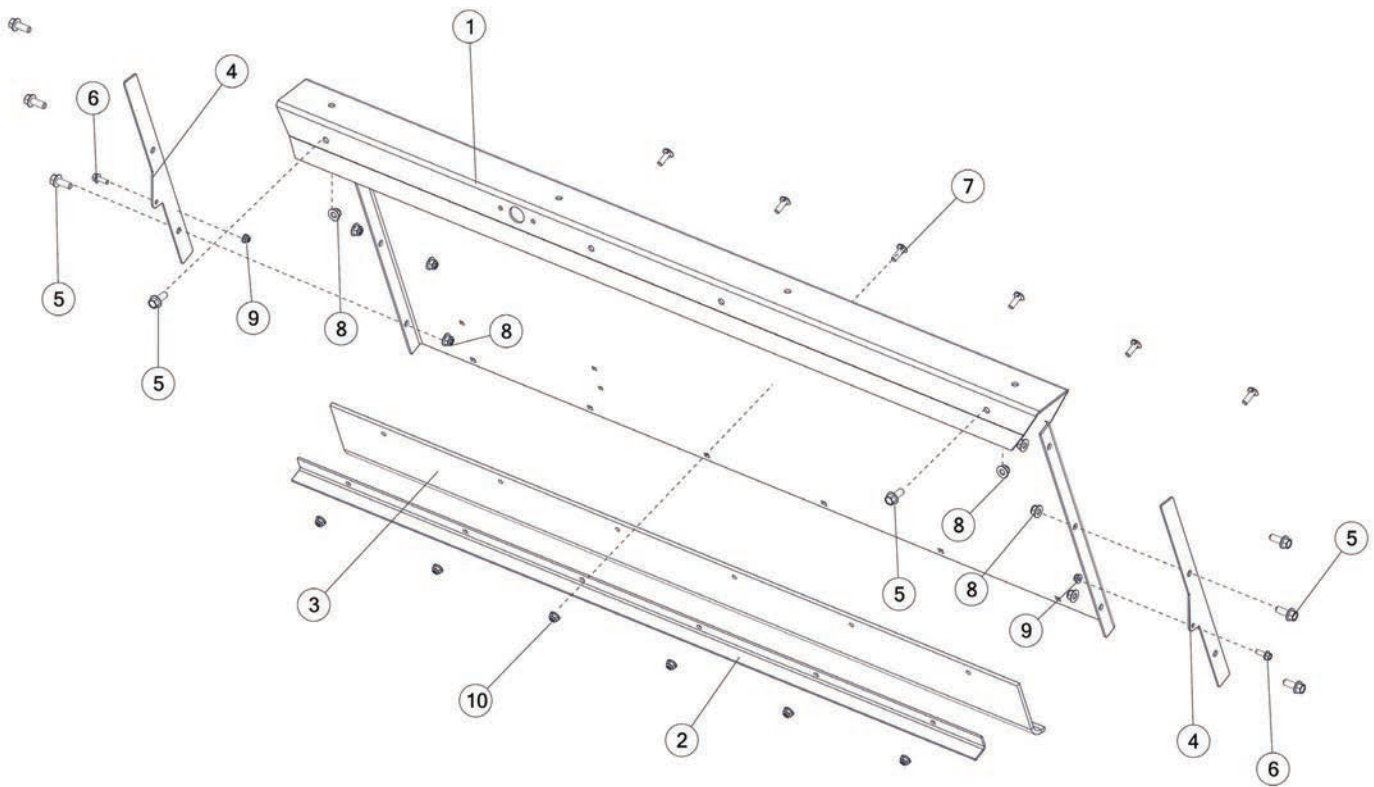




FIGURE 12

FRONT PANEL & COMPONENTS

REF #	PART #	DESCRIPTION	QTY
1	91403B	FRONT PANEL W/DECAL	1
2	91556	ANGLE FOR RUBBER	1
3	91551	FRONT RUBBER	1
4	91567	FRONT PANEL SPACER	2
5	YBFB12003	BOLT FLANGE, 3/8 X 1 G5 ZC	8
6	YBFB08075	BOLT FLANGE, 1/4 X 3/4 G5	2
7	YBCR10010	BOLT CARRIAGE, 5/16 X 1 G5	6
8	YNFG12006	NUT FLANGE, 3/8 GF	8
9	YNFG08010	NUT FLANGE , 1/4 GF	2
10	YNFG10005	NUT FLANGE, 5/16 GF	6





FIGURE 13 FRONT FRAME & COMPONENTS

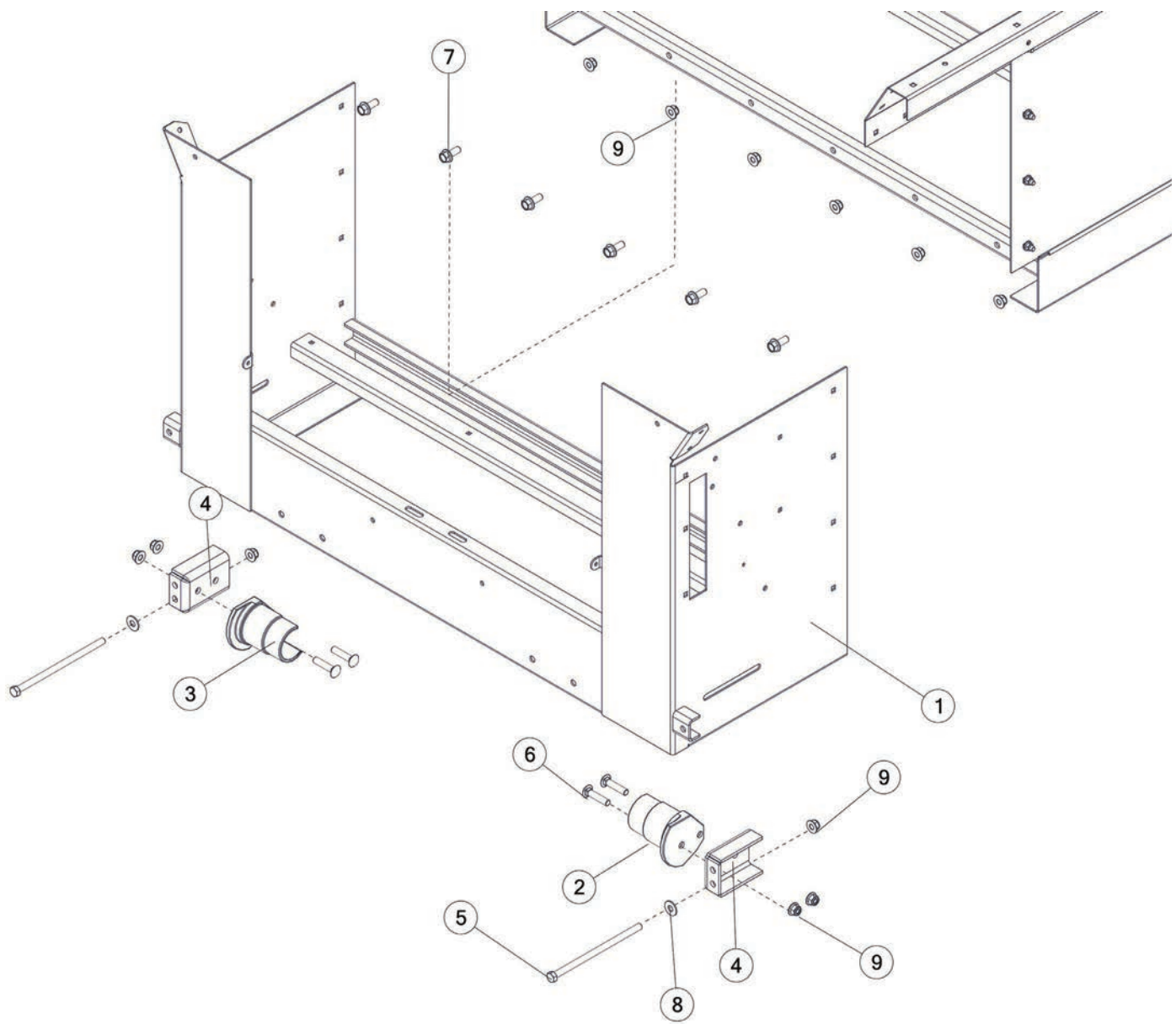




FIGURE 13
FRONT FRAME & COMPONENTS

REF #	PART #	DESCRIPTION	QTY
1	91410B	FRONT FRAME W/DECALS	1
2	17G96	T-ROD SLIDE LH	1
3	17G97	T-ROD SLIDE RH	1
4	91512	TIGHTENER BRACKET	2
5	YBHH16190	BOLT HEX, 1/2 X 9-1/2 G5	2
6	YBCR16023	BOLT CARRIAGE, 1/2-13 X 2-1/4 G5 ZC	4
7	YBFB16125	BOLT FLANGE, 1/2 X 1-1/4 G5	6
8	YWFL16005	WASHER FLAT, 1/2	2
9	YNFG16003	NUT FLANGE, 1/2 GF	12





FIGURE 14

REAR FRAME & COMPONENTS

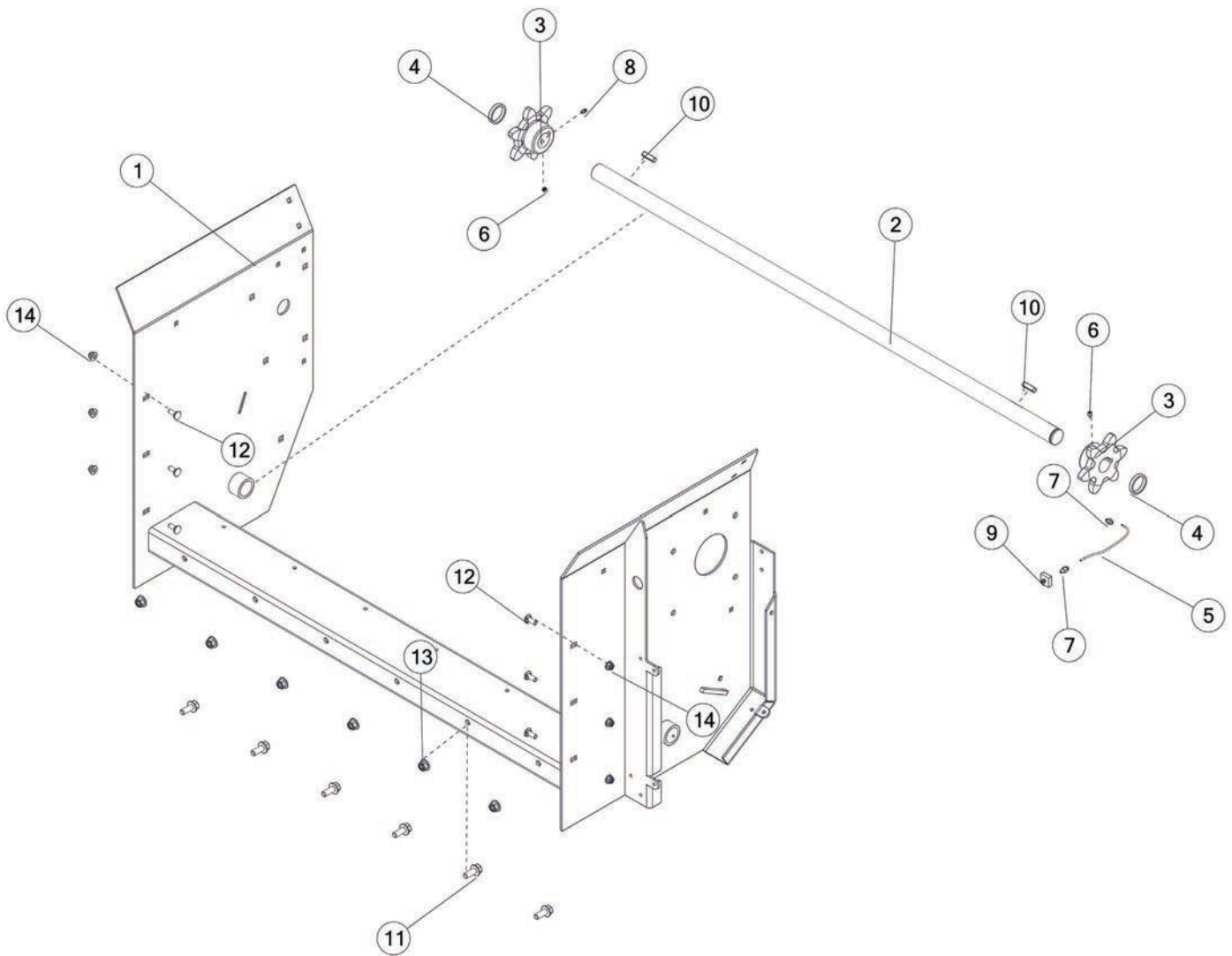




FIGURE 14

REAR FRAME & COMPONENTS

REF #	PART #	DESCRIPTION	QTY
1	91404B	REAR FRAME W/DECALS	1
2	91582	DRIVE SHAFT	1
3	A4	CONVEYOR DRIVE SPROCKET, 6	2
4	23N266	SPACER, 5/16	2
5	17G73	GREASE LINE	1
6	YSKP12025	SCREW SET SOCKET, KNURLED CUP PT, 3/8 X 3/8	2
7	S47	GREASE FITTING	2
8	G89	STRAIGHT ZERK, 1/4-28 X 90	1
9	16V9	GREASE ZERK BLOCK	1
10	A32	SQUARE KEY W/ ROUND ENDS, 3/8 X 1-3/8	2
11	YBFB16125	BOLT FLANGE, 1/2 X 1-1/4 G5	6
12	YBCR12010	BOLT CARRIAGE, 3/8 X 1 G5	6
13	YNFG16003	NUT FLANGE, 1/2 GF	6
14	YNFG12006	NUT FLANGE, 3/8 GF	6





FIGURE 15 SIDE PANELS & COMPONENTS

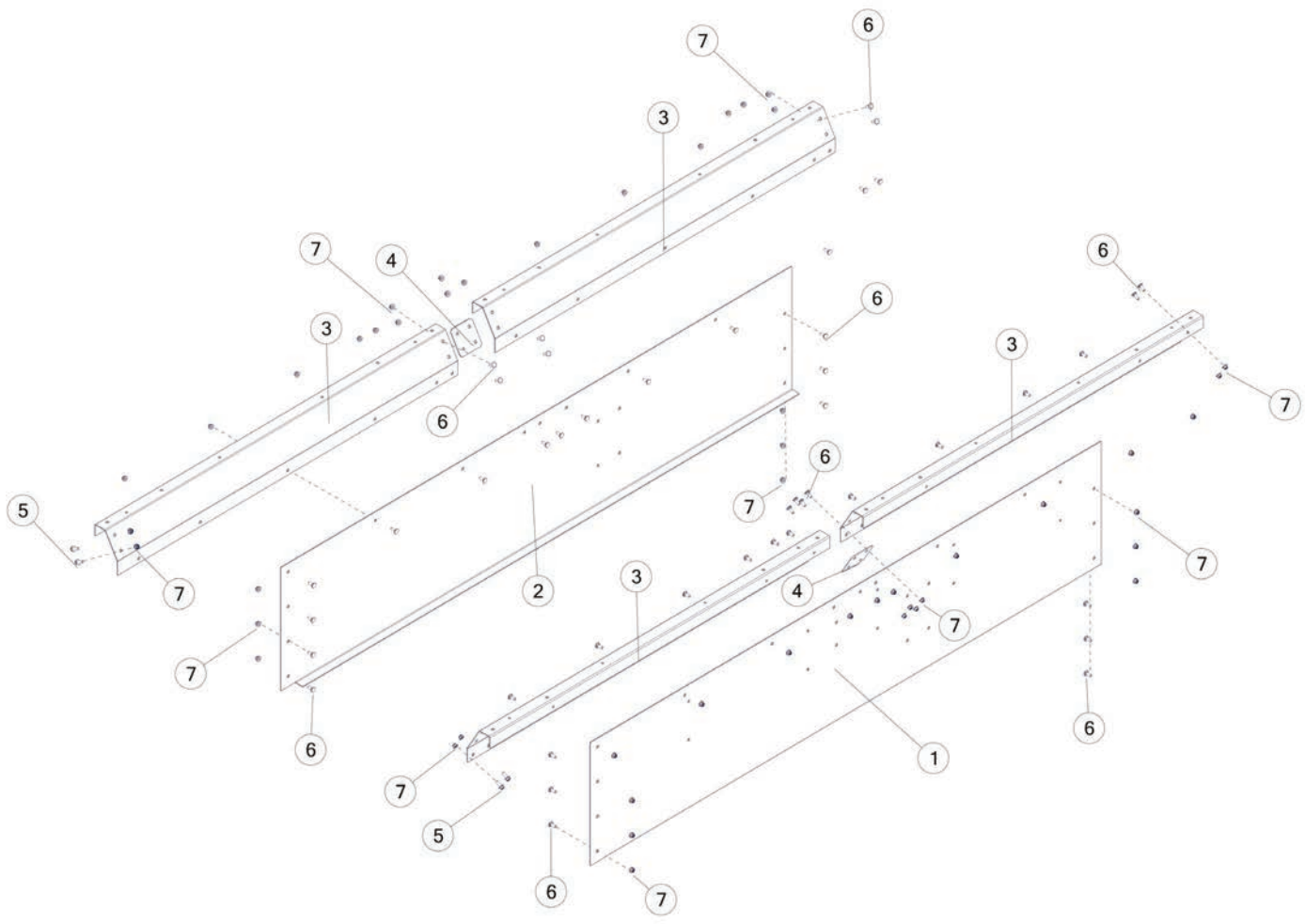




FIGURE 15

SIDE PANELS & COMPONENTS

REF #	PART #	DESCRIPTION	QTY
1	91435B	SIDE PANEL, LH W/DECALS	1
2	91526B	SIDE PANEL, RH W/DECALS	1
3	91436	FLARE	4
4	91560	FLARE CONNECTOR PLATE	2
5	YBFB12003	BOLT FLANGE, 3/8 X 1 G5 ZC	4
6	YBCR12010	BOLT CARRIAGE, 3/8 X 1 G5	46
7	YNFG12006	NUT FLANGE, 3/8 GF	50



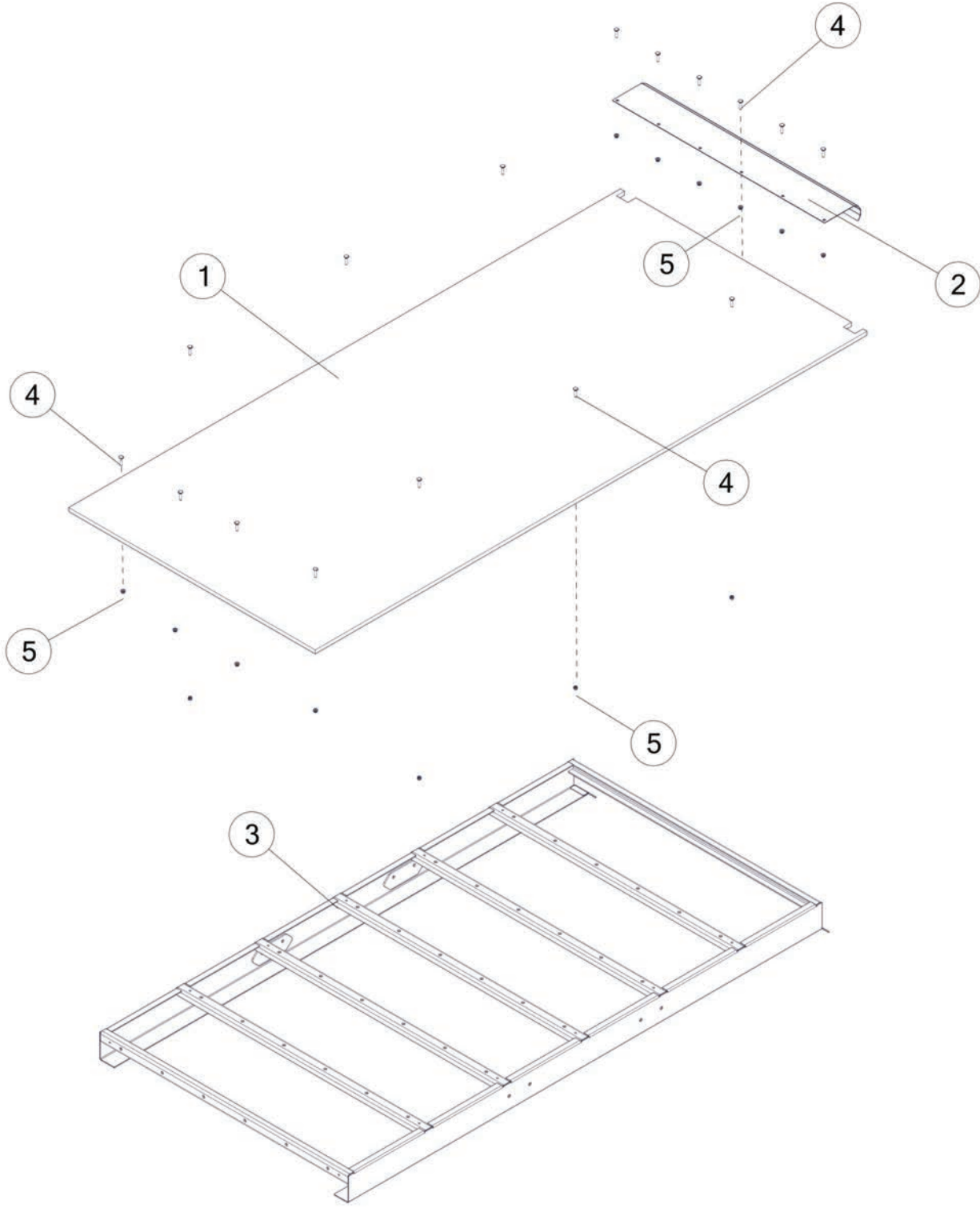




FIGURE 16

FLOOR

REF #	PART #	DESCRIPTION	QTY
1	17G158	POLY PLYWOOD W/DECALS	1
2	91748	DRIVE SHAFT COVER	1
3	91417	MAIN FRAME	1
4	YBCR10015	BOLT CARRIAGE, 5/16 X 1-1/2 G5	16
5	YNHX10010	NUT HEX, 5/16 G5	16
6	YWLO10005	WASHER LOCK, 5/16	6



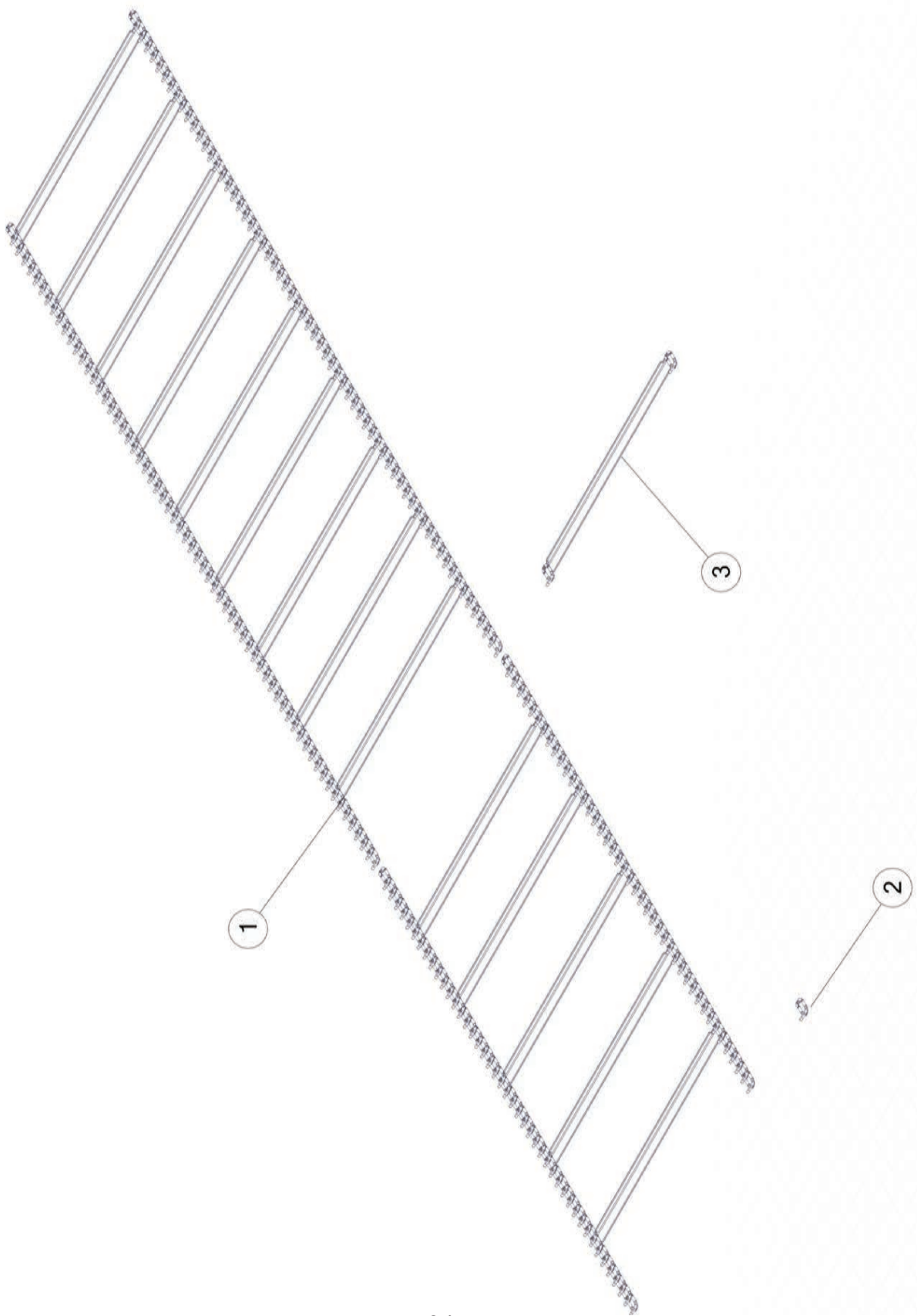
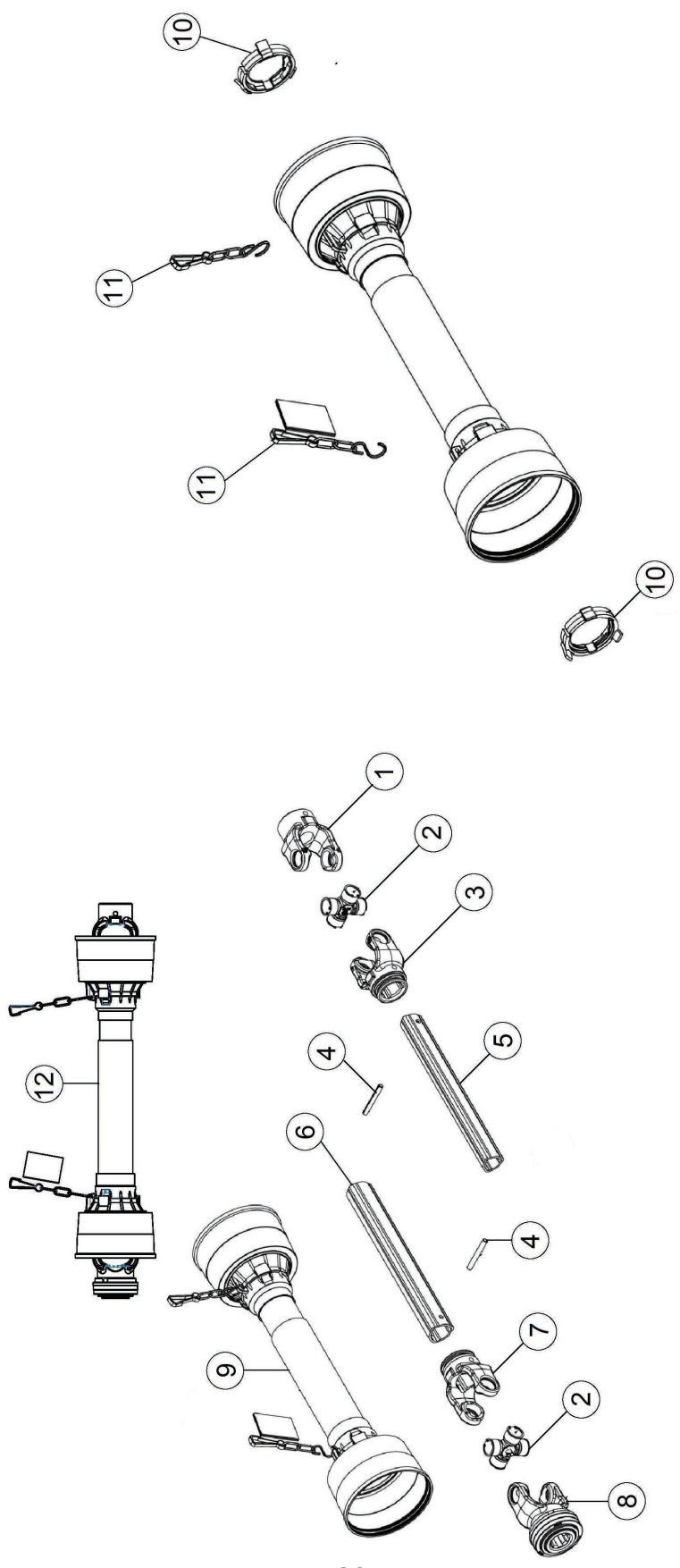




FIGURE 18

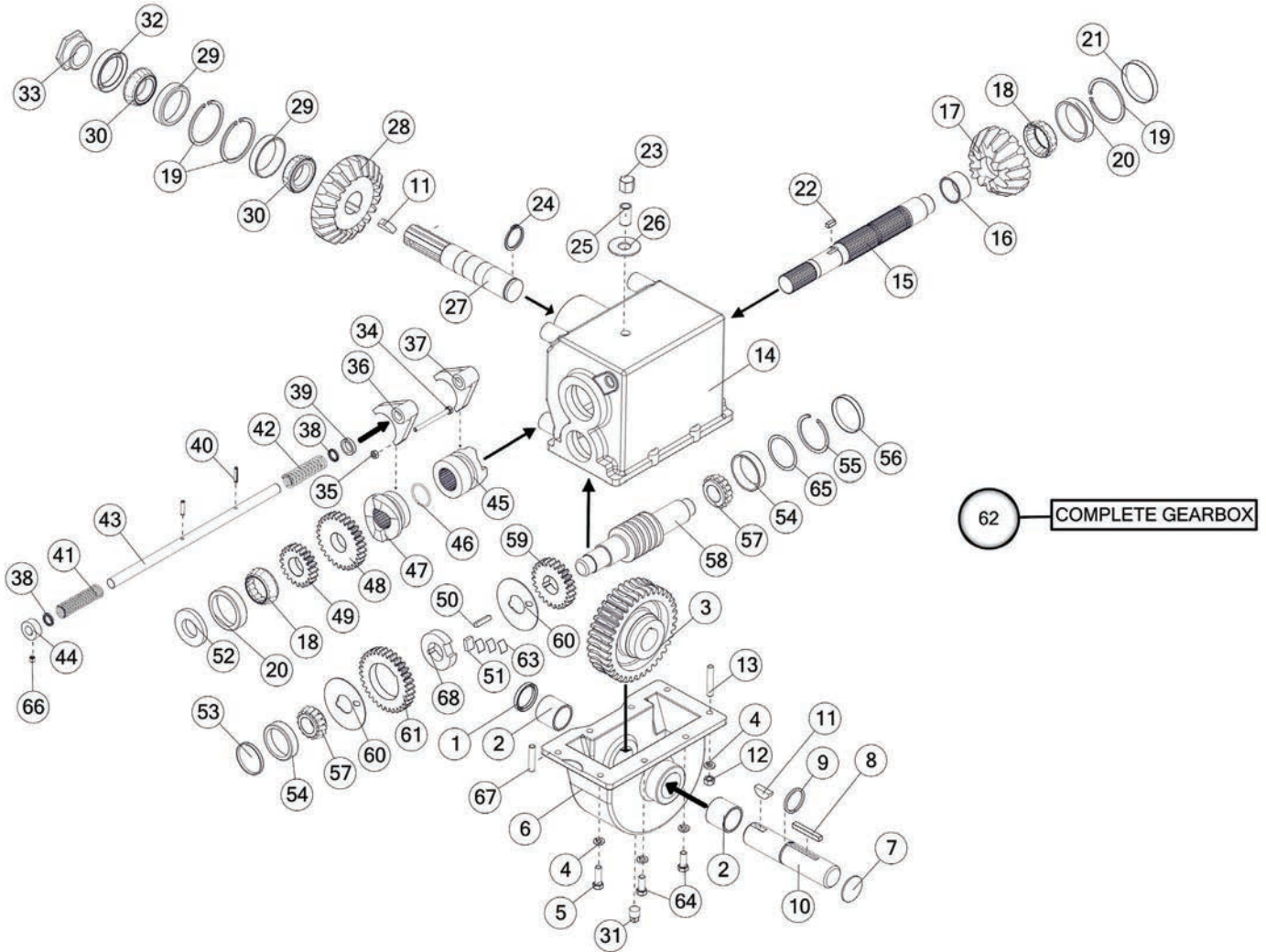
PTO





REF #	PART #	DESCRIPTION	QTY
1	89142	YOKE W/ BORE	1
2	84672	JOINT, UNIVERSAL	2
3	84673	YOKE, INNER	1
4	YPEX10250	EXPANSION PIN, 5/16 X 2-1/2	2
5	84674	TUBE	1
6	84675	TUBE	1
7	84676	YOKE, OUTER	1
8	84677	YOKE, END	1
9	84678	SAFETY GUARD GROUP	1
10	89228	RETAINERS	2
11	89227	CHAIN	2
*	12N102Z	COMPLETE PTO	1







REF #	PART #	DESCRIPTION	QTY
1	17G133	SEAL	1
2	17G134	BUSHING, 1-3/4 X 1-1/2 X 1-1/2	2
3	17G137	WORM GEAR 36T	1
4	YWLO12005	WASHER LOCK, 3/8	8
5	YBHH12035	BOLT HEX, 3/8 X 1-1/4 G5	2
6	17G107	LOWER GEARBOX HOUSING	1
7	17G139	CAP	1
8	17G132	SQUARE KEY, 5/16 X 2-1/4	1
9	17G135	SNAP RING, EXTERNAL 1-1/2IN	1
10	17G136	WORM GEAR OUTPUT SHAFT	1
11	5B9	WOODRUFF KEY, 3/8 X 1-1/4	2
12	YNHX12005	NUT HEX, 3/8 G2	2
13	17G140	BOLT STUD, 3/8 X 1-1/2	2
14	17G99	UPPER GEARBOX HOUSING	1
15	17G108A	INPUT SHAFT	1
16	17G111	BUSHING, 1-3/4 X 1-1/2 X 1	1
17	17G110	BEVEL GEAR, 16T	1
18	G18	TAPERED BEARING	2
19	G55	SNAP RING	3
20	18VB25	RACE	2
21	G68	CAP	1
22	17G116	SQUARE KEY, 1/4 X 5/8	1
23	17G58	VENT CAP	1
24	12V62	SNAP RING, 1-1/2IN HD EXTERNAL	1
25	23N288	PIPE NIPPLE, 0.38 X 1.25	1
26	YWFL24005	WASHER FLAT, 3/4	1
27	17G104	OUTPUT SHAFT	1
28	17G101	BEVEL GEAR, 22T	1
29	17G102	RACE	2
30	17G103	TAPERED BEARING	2
31	G65	PLUG PIPE, 3/8 NPT	1
32	17G105	SEAL	1
33	17G106	NUT HEX, 1-1/2	1
34	YBHH08090	BOLT HEX, 1/4 X 3 G2	1
35	YNHX08007	NUT HEX, 1/4 G5	1
36	17G125	HIGH SPEED SHIFTER YOKE	1
37	17G129	YOKE, SHIFTER, BEATER	1
38	17G121	SEAL	2
39	17G122	SPACER	1



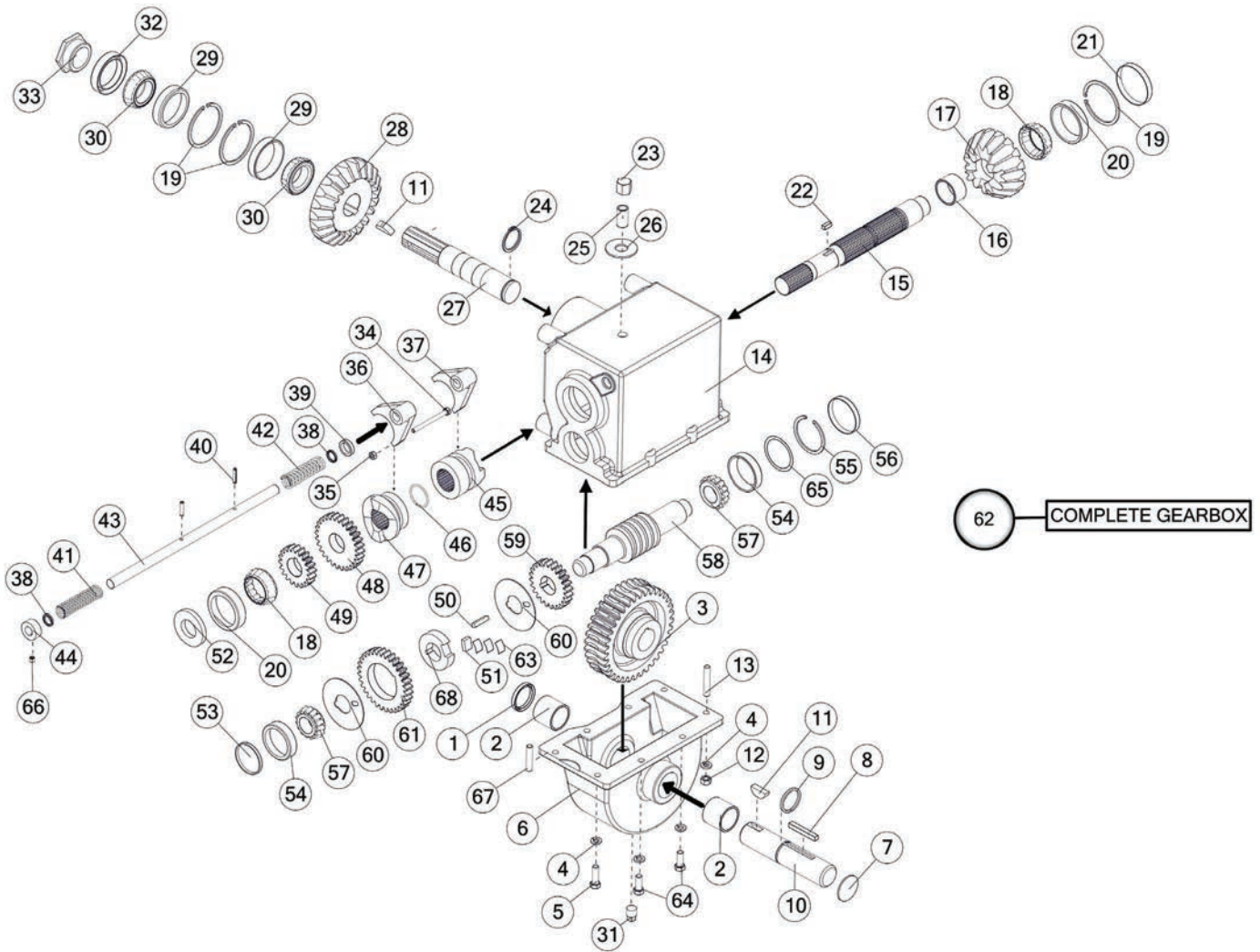




FIGURE 19

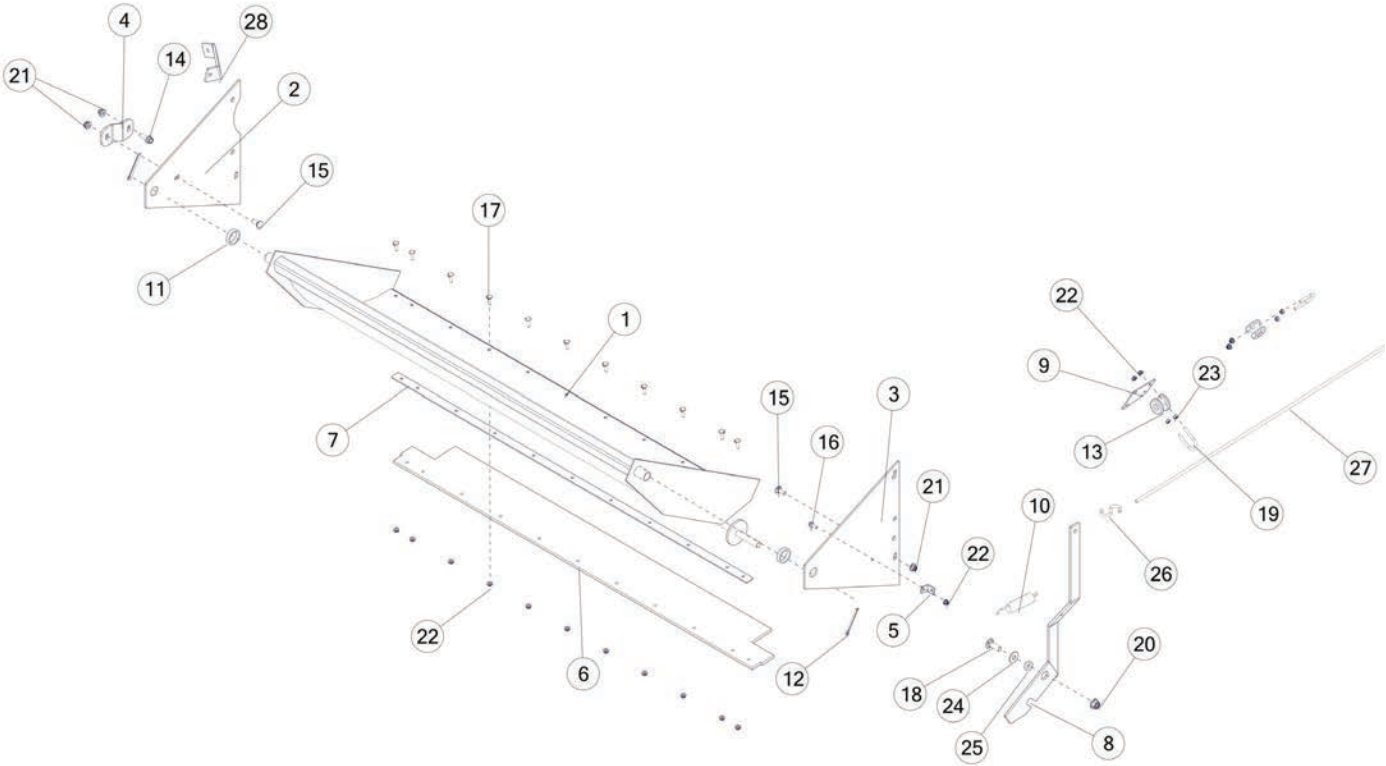
GEARBOX

REF #	PART #	DESCRIPTION	QTY
40	17G123	ROLL PIN	2
41	17G128	COIL SPRING	1
42	17G130	COIL SPRING	1
43	17G131	SHIFTER ROD	1
44	17G171	LOCK COLLAR, 1-1/4	1
45	17G109	BEATER CLUTCH	1
46	17G169A	SNAP RING	1
47	17G119	HIGH SPEED CLUTCH, 2 JAW	1
48	17G118	HIGH SPEED GEAR	1
49	17G115	LOW SPEED, 2 SPEED GEAR BOX	1
50	S135	SQUARE KEY, 1/4 X 1-1/4	1
51	17G124	CLUTCH DOG	1
52	S136	OIL SEAL	1
53	17G100	CAP	1
54	3G18	BEARING RACE, 2.44	2
55	3G19	SNAP RING, INTERNAL	1
56	G90	CAP	1
57	L3G24	TAPERED BEARING	2
58	17G120	SHAFT	1
59	17G117	HIGH SPEED GEAR	1
60	17G112	WASHER	2
61	17G113	LOW SPEED GEAR	1
62	17G142	COMPLETE GEARBOX, 2 SPEED	1
63	17G126	DOG SPRING	3
64	YBHH12010	BOLT HEX, 3/8 X 1 G5	4
65	G92	STAINLESS SHIM	1
66	YSKP10015	SCREW SET, 5/16 X 5/16	1
67	17G138	SCR, STUD, 0.38-16 X 2.0	1
68	17G114	LOW SPEED CLUTCH	1





FIGURE 20
OPTIONAL REAR PAN (MSO3B3)



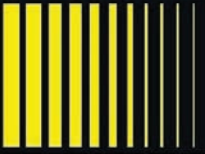


FIGURE 20

OPTIONAL REAR PAN (MSO3B3)

REF #	PART #	DESCRIPTION	QTY
1	17G20	PAN	1
2	17G18	PAN SUPPORT LH	1
3	17G17	PAN SUPPORT RH	1
4	91912	PAN BRACE	1
5	R26	SPRING BRACKET	1
6	17G21	PAN RUBBER FLAP	1
7	17G22	PAN STRAP	1
8	17G16	PAN TRIP LEVER	1
9	92844	ISOLATOR PLATE	1
10	R27	PAN HANDLE SPRING	1
11	F112	SPACER	2
12	YPCT08010	COTTER PIN, 1/4 X 2-1/2	2
13	F33	ROPE GUIDE	2
14	YBFB12125	BOLT FLANGE, 3/8 X 1-1/4 G5	1
15	YBCR12010	BOLT CARRIAGE, 3/8 X 1 G5	2
16	YBFB08075	BOLT FLANGE, 1/4 X 3/4 G5	1
17	YBCR08005	BOLT CARRIAGE, 1/4 X 1 G5	11
18	YBCR16010	BOLT CARRIAGE, 1/2 X 1-1/2 G5	1
19	YBPU08005	U-BOLT, 1/4 X 3/4	2
20	YNFG16003	NUT FLANGE, 1/2 GF	1
21	YNFG12006	NUT FLANGE, 3/8 GF	3
22	YNFG08010	NUT FLANGE, 1/4 GF	16
23	YNHX08005	NUT HEX, 1/4 G5	4
24	YWFL16005	WASHER FLAT, 1/2	1
25	23N23	WASHER, TRIP LEVER SPACER	1
26	YMHK92005	S-HOOK, .262 X 2-1/4 X 11/16	1
27	17G15	PAN TRIP ROPE	1
28	17G19	PAN BRACE	1





FIGURE 21
OPTIONAL HYDRAULIC ENDGATE
(MSO2B175)

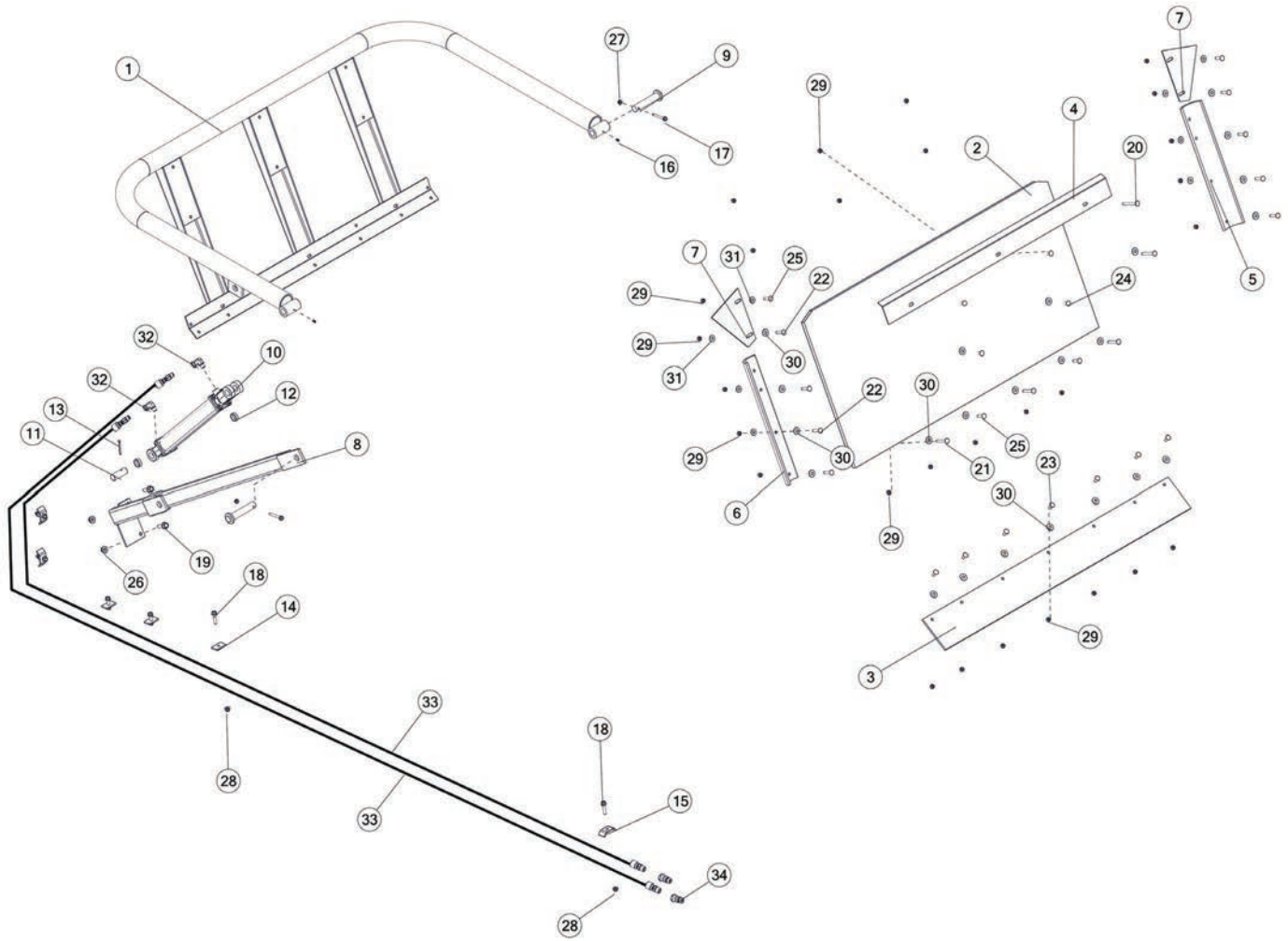




FIGURE 21

OPTIONAL HYDRAULIC ENDGATE (MSO2B175)

REF #	PART #	DESCRIPTION	QTY
1	17G77	TAILGATE FRAME	1
2	17G79	TAILGATE PLYWOOD	1
3	17G83	BOTTOM RUBBER	1
4	17G160	POLY FLOOR HOLD DOWN	1
5	17G81	SIDE RUBBER LH	1
6	17G82	SIDE RUBBER RH	1
7	17G80	TAILGATE CORNER	2
8	17G84	TAILGATE MOUNTING TUBE	1
9	17G78	TAILGATE PIN	2
10	56015	HYDRAULIC CYLINDER, 2 X 16	1
11	23N107	CYLINDER PIN	1
12	K132	SPACER, 3/8	2
13	YPCT07005	COTTER PIN, 7/32 X 2	1
14	17G87	HOSE BRACKET	3
15	23N67	TAILGATE HOSE BRACKET	5
16	MS26	STRAIGHT STANDARD SHORT ZERK, 1/4	2
17	YBFB10250	BOLT FLG, 5/16 X 2-1/2 G5	2
18	YBFB12175	BOLT FLG, 3/8 X 1-3/4 G5	6
19	YBFB16150	BOLT FLANGE, 1/2 X 1-1/2 G5	2
20	YBCR12070	BOLT, CARR, 3/8-16 X 3-1/2, G5, ZC	3
21	YBCR12040	BOLT, CARR, 3/8-16 X 2-1/2, G5, ZC	3
22	YBCR12030	BOLT, CARR, 3/8-16 X 1-3/4, G5, ZC	23
23	YBCR12010	BOLT CARRIAGE, 3/8 X 1 G5	7
24	YBCR12055	BOLT CARRIAGE, 3/8 X 3.G5	3
25	YBCR12015	BOLT CARR 3/8-16 X 1-1/2 G5	4
26	YNFG16003	NUT FLANGE, 1/2 GF	2
27	YNFG10005	NUT FLANGE, 5/16 GF	3
28	YNFG12006	NUT FLANGE, 3/8 GF	4
29	YNHX12005	NUT HEX, 3/8 G2	28
30	YWFL14005	WASHER FLAT, 7/16	23
31	YWFL12005	WASHER FLAT , 3/8 G5	8
32	DWM110	FITTING 90, 3/8NPT X 3/8NPSM	2
33	23N302	HYDRAULIC HOSE, 3/8 X 264	2
34	DWM205	MALE QUICK COUPLER W/HYD TIP	2





FIGURE 22
OPTIONAL TOP BEATER (MSOTB175)

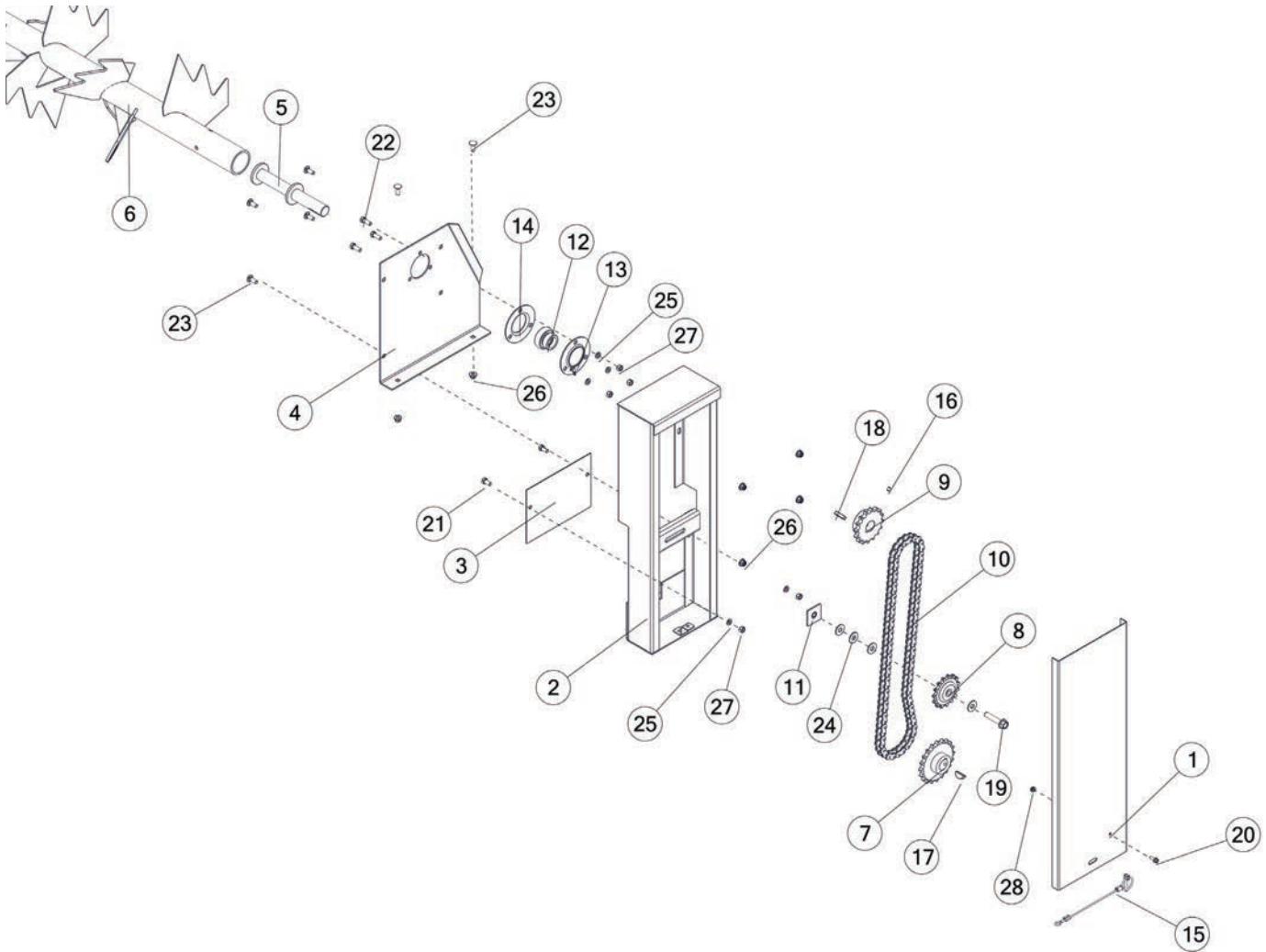
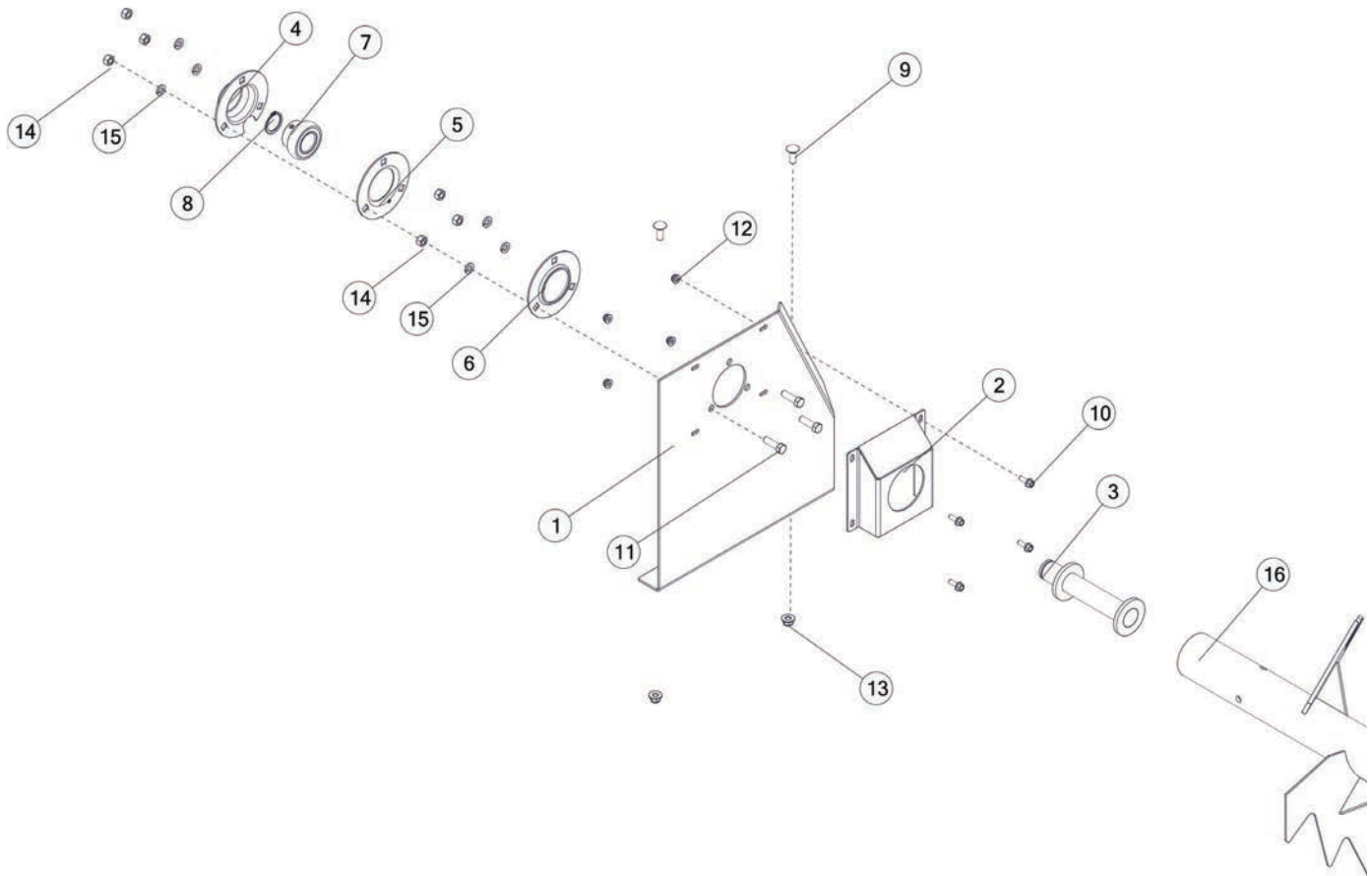




FIGURE 23

OPTIONAL TOP BEATER (MSOTB175)





H&S MFG. CO.
products approved
for the
FEMA
SEAL OF QUALITY



Manufactured by:
H&S MANUFACTURING CO., INC.
2608 S. HUME AVE. MARSHFIELD, WI 54449
(715) 387-3414 | hsmfgco.com

