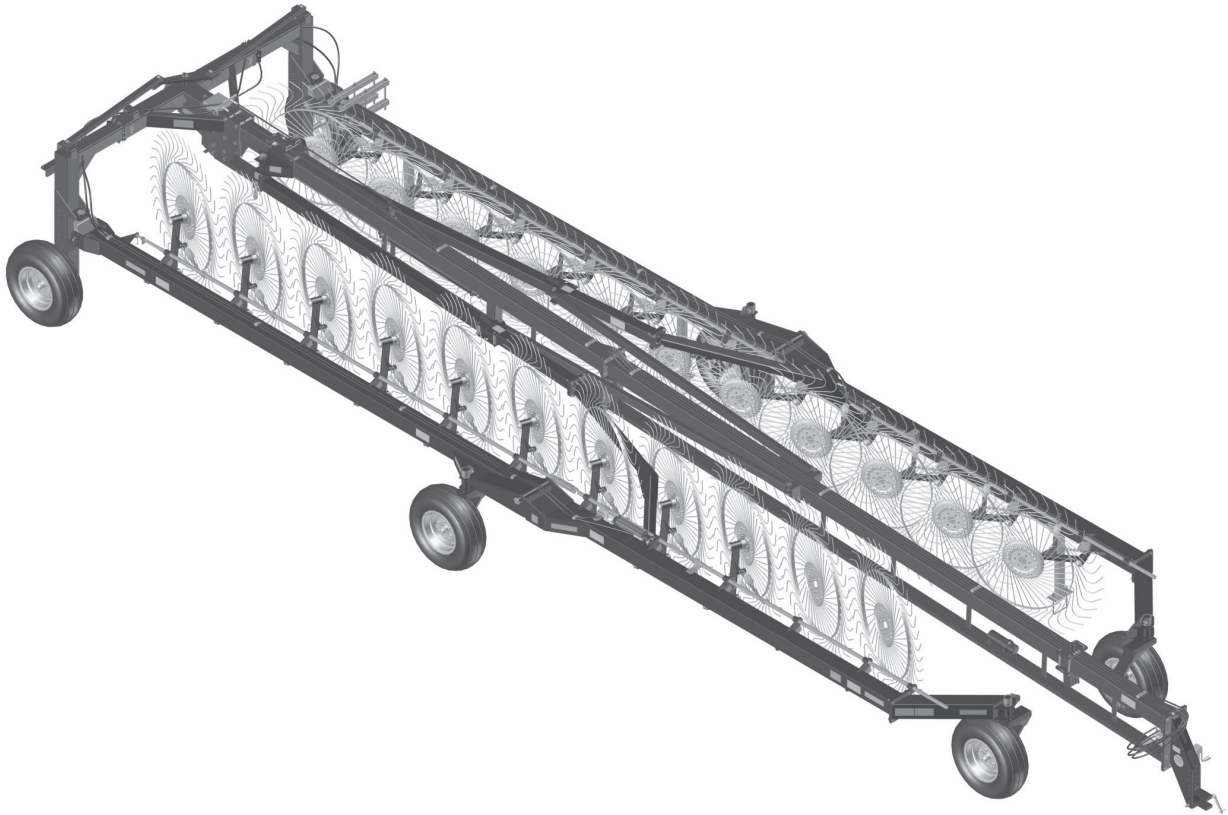




2261 FLEX-FRAME RAKE

PARTS BOOK



Revision #01
Starting Serial #412001

HSMFG0614

Part #60552

Manufactured By

H&S MANUFACTURING CO., INC.

P.O. BOX 768 (715) 387-3414 FAX (715) 384-5463

MARSHFIELD, WISCONSIN 54449

CONTENTS

Instructions for Ordering Parts	1
Figure 1 - Main Frame Front	2-3
Figure 2 - Main Frame Middle	4-5
Figure 3 - Main Frame Rear	6-7
Figure 4 - Rear Frame & Axle Assembly	8-9
Figure 5 - Right Caster	10-11
Figure 6 - Left Caster	12-13
Figure 7 - Right & Left Front Rake Beams	14-15
Figure 8 - Right & Left Back Rake Beams	16-17
Figure 9 - U-Joint Assembly	18-19
Figure 10 - Rake Wheel Assembly	20-21
Figure 11 - Hydraulics	22-23
Figure 12 - Lift Cylinder	24-25
Figure 13 - Open Cylinder	26-27
Figure 14 - Optional Hydraulic Rear Opening Cylinder	28-29
Figure 15 - Optional Tandem Axle	30-31
Figure 16 - Optional 2 Wheel Extension	32-33
Figure 17 - Optional Wind Guard	34
Figure 18 - Optional Lighting	35
Parts Notes	36

INSTRUCTIONS FOR ORDERING PARTS

All service parts should be ordered through your authorized H&S dealer. They will be able to give you faster service if you will provide them with the following

1. Model & Serial number is located on the left, rear main frame of your unit.
2. All reference to left or right apply to the machine as viewed from the rear.
3. Parts should not be ordered from illustration only. Please order by complete part number.
4. If your dealer has to order parts - give shipping instructions:
VIA truck - large pieces (please specify local truck lines)
VIA United Parcel Service (include full address)

H&S MFG. CO. INC.	
MARSHFIELD, WIS.	
MOD. NO.	<input type="text"/>
SER. NO.	<input type="text"/>
DESCR.	<input type="text"/>

PLEASE RECORD NUMBERS FOR YOUR UNIT FOR QUICK REFERENCE

ABOUT IMPROVEMENTS

H&S IS CONTINUALLY STRIVING TO IMPROVE IT'S PRODUCTS

We must therefore, reserve the right to make improvements or changes whenever it becomes practical to do so without incurring any obligation to make changes or additions to the equipment previously sold.

FIGURE 1
MAIN FRAME FRONT

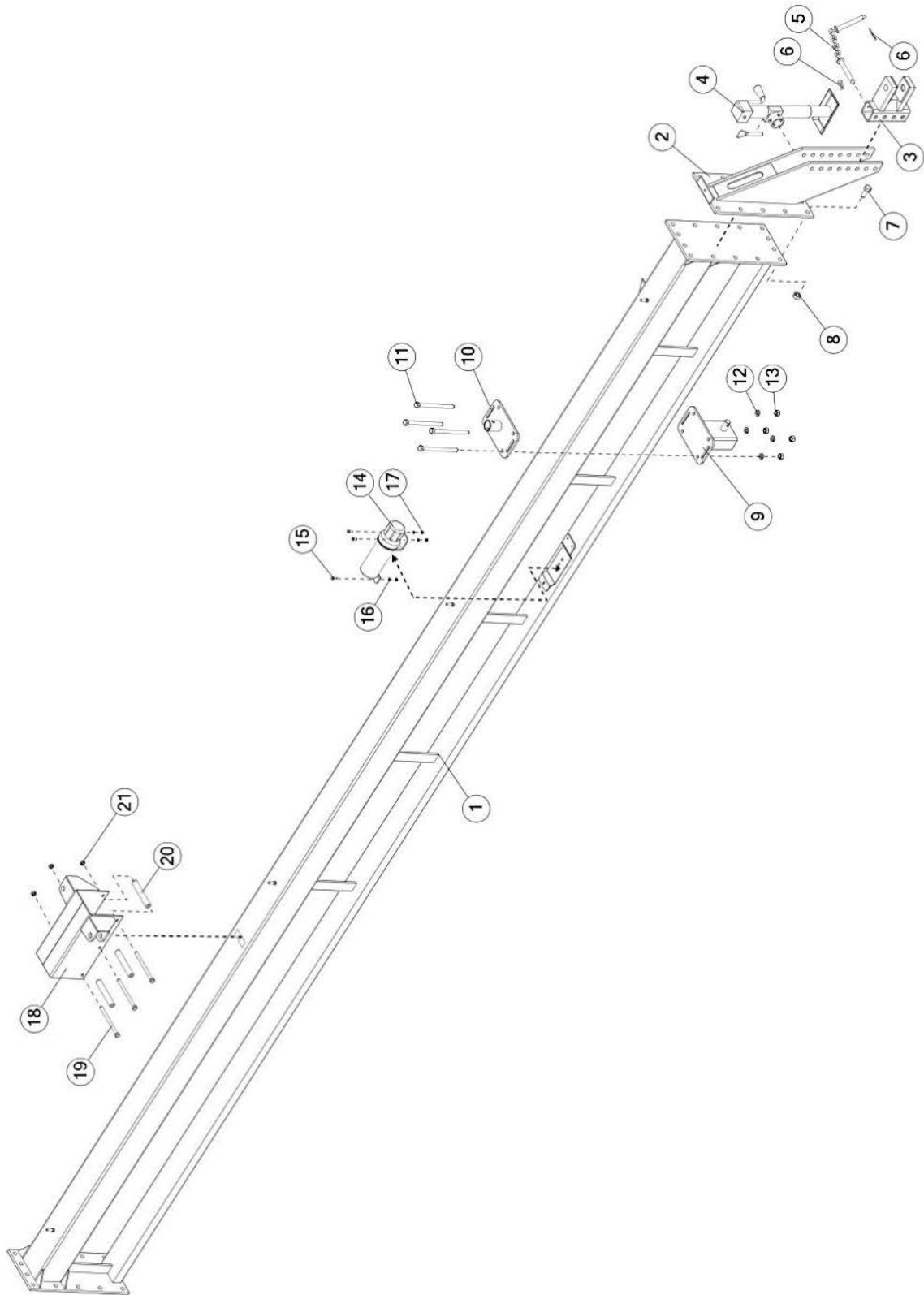


FIGURE 1

MAIN FRAME FRONT

<u>ITEM</u>	<u>QTY.</u>	<u>PART #</u>	<u>DESCRIPTION</u>
1	1	60066	POLE FRONT
2	1	FR25	HITCH RECEIVER
*	1	SC10100	SAFETY CHAIN 10,100 LB. RATING
3	1	HD83	ASSY, HITCH CLEVIS
4	1	BFR753A	JACK, SIDE WIND, 2000#
5	1	BFR450	ASSY, HITCH PIN
6	2	YPHR02010	HAIR PIN, #21-07
7	1	YBHH24014	BOLT, 3/4-10 X 1-3/4" GR. 5
8	14	YNTL24005	HEX NUT, TOP LOCK, 3/4-10
9	14	FR29	TRANSPORT POST
10	1	FR66	ASSY, JACK HOLDER
11	4	YBHH20110	BOLT, 5/8 X 8 GR 5
12	4	YWLO20005	WASHER, LOCK, 5/8
13	4	YNHX20005	HEX NUT, 5/8-11 PLATED
14	1	S522	MANUAL HOLDER
15	3	YBHH08100	BOLT, 1/4 X 3/4 GR 5
16	3	YWLO08005	WASHER, LOCK, 1/4
17	3	YNNY08005	HEX NUT, NYLON LOCKNUT, 1/4-20
18	1	58303	FRONT LINKAGE SLIDER
19	3	YBHH16184	BOLT, 1/2-13 X 7-1/2 GR 5
20	3	58298	SLIDER SPACER
21	3	YNTL16005	HEX NUT, TOP LOCK, 1/2-13

NOTE: * MEANS NOT SHOWN

FIGURE 2
MAIN FRAME MIDDLE

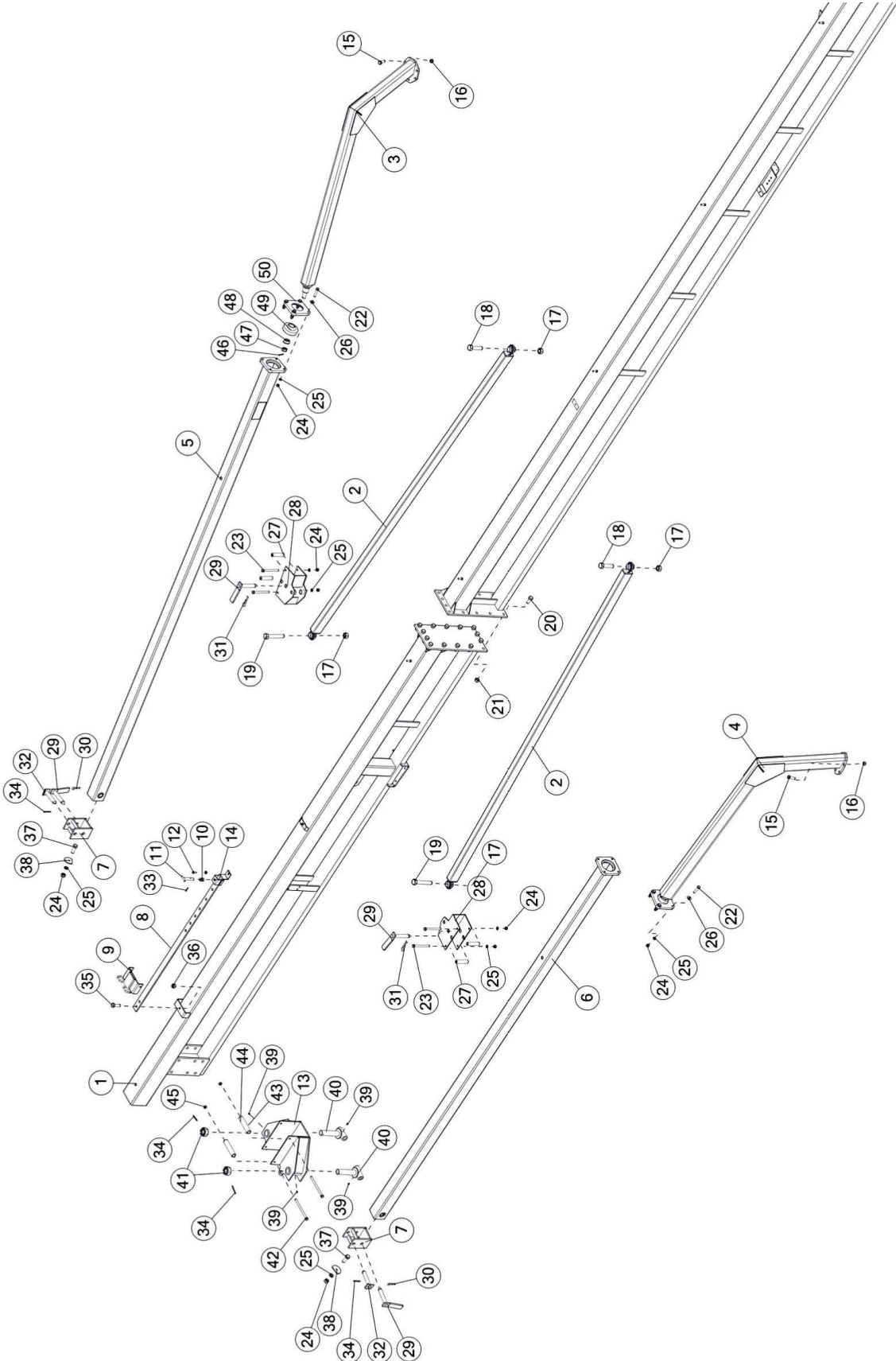


FIGURE 2

MAIN FRAME MIDDLE

<u>ITEM</u>	<u>QTY.</u>	<u>PART #</u>	<u>DESCRIPTION</u>
1	1	58293	BACK POLE
2	2	BFR458	ASSY, FRONT LINKAGE
3	1	58352	ARM ASSEMBLY, LH
4	1	58353	ARM ASSEMBLY, RH
5	1	58260	LH LINKAGE ARM ASSEMBLY
6	1	60330	RH LINKAGE ARM ASSEMBLY
7	2	BFR477	ASSY, BACK LINKAGE YOKE LH
8	1	BFR611	ASSY, WIDTH ADJUSTMENT BAR
9	1	58380	WIDTH ADJUSTMENT STOP
10	1	BFR240	SPRING #SP41
11	1	BFR241	ADJUSTMENT HANDLE
12	1	YSST10005	.312 X 1 SELF THREADING FLANGE
13	1	58251	BACK LINKAGE SLIDER
14	1	BFR239	ASSY, SLEEVE LOCK ADJUSTMENT
15	10	YBHH20020	BOLT, 5/8 X 1-3/4 GR 5
16	10	YNTL20005	HEX NUT, TOP LOCK, 5/8-11
17	4	YNTL32005	HEX NUT, TOP LOCK, 1"-8 GR. C, ZINC
18	2	YBHH32015	BOLT, 1"-8 X 4 GR 5
19	2	YBHH32025	BOLT, 1"-8 X 6 GR 5
20	14	YBHH24014	BOLT, 3/4-10 X 1-3/4" GR. 5
21	14	YNTL24005	HEX NUT, TOP LOCK, 3/4-10
22	8	YBHH16080	BOLT, 1/2 X 2-1/2 GR 5
23	4	YBHH16160	BOLT, 1/2 X 5-1/2 GR 5
24	14	YNHX16005	HEX NUT, 1/2
25	14	YWLO16005	WASHER, LOCK, 1/2
26	8	YWFL16005	WASHER, FLAT, 1/2 USS
27	4	BFR467	CENTER SLIDER SPACER
28	2	BFR465	ASSY, CENTER SLIDER
29	4	BFR468	ASSY, CENTER SLIDER PIN
30	2	YPHR02010	HAIR PIN, #21-07
31	2	YPHR06040	HAIR PIN, 3/16" X 3-3/4"
32	2	BFR505	ASSY, PIVOT YOKE SHAFT PIN RH
33	1	YPCT05005	COTTER PIN, 5/32 X 1
34	4	YPCT06020	COTTER PIN, 3/16 X 2
35	1	YBHH20010	BOLT, 5/8 X 1-1/2 GR 5
36	1	YNTL20005	HEX NUT, TOP LOCK 5/8-11
37	2	YBHH16055	BOLT, 1/2 X 1-3/4 GR 5
38	2	BFR693	SLIDER WASHER
39	4	G89	ZERK, 1/4"-28 STRAIGHT-STD #1641
40	2	BFR480	ASSY, LEFT PIVOT YOKE SHAFT
41	2	YNSL40005	HEX NUT, SLOTTED, 1-1/2"-12
42	2	YBHH16182	BOLT, 1/2"-13 X 8" GR. 5
43	2	58297	BACK SLIDER ROLLER
44	2	58298	SLIDER SPACER
45	2	YNTL16005	HEX NUT, TOP LOCK, 1/2-13
46	2	YPCT05020	COTTER PIN, 5/32 X 1-3/4
47	2	YNSL28005	HEX NUT, SLOTTED, 7/8-14
48	2	58301	SPACER, BALL
49	2	58409	PITCH ROD BALL 1.75 DIA. PIN
50	2	58287	BEARING SUPPORT

FIGURE 3
MAIN FRAME REAR

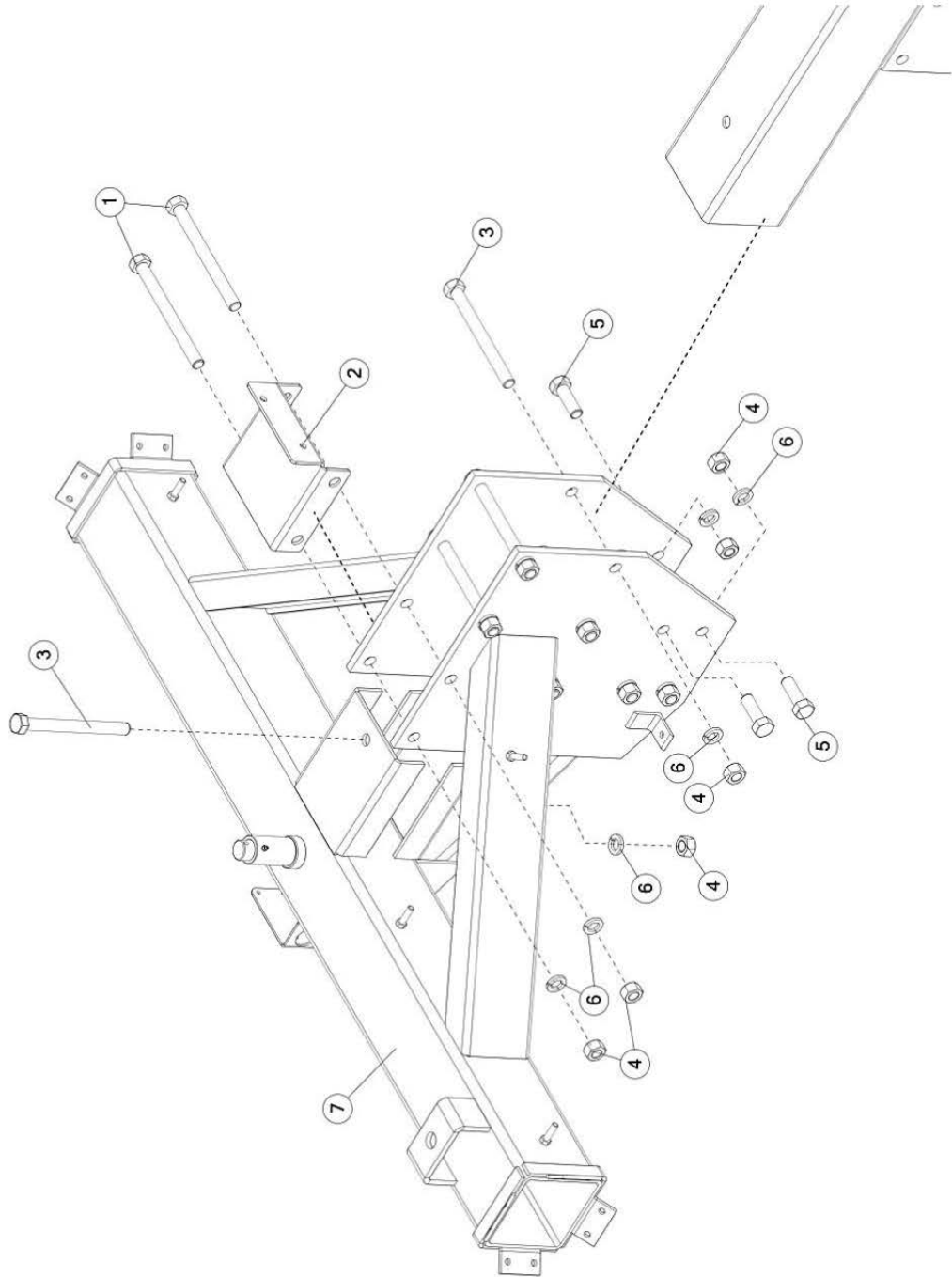


FIGURE 3
MAIN FRAME REAR

<u>ITEM</u>	<u>QTY.</u>	<u>PART #</u>	<u>DESCRIPTION</u>
1	2	YBHH24115	BOLT, 3/4 X 8-1/2 GR 5
2	1	58411	HYDRAULIC MOUNT
3	8	YBHH24110	BOLT, 3/4 X 8 GR 5
4	13	YNHX24004	HEX NUT, 3/4-10 GR 5
5	4	YBHH24035	BOLT, 3/4 X 2-1/4 GR 5
6	13	YWLO24005	WASHER, LOCK, 3/4
7	1	FR17	REAR FRAME

FIGURE 4

REAR FRAME & AXLE ASSEMBLY

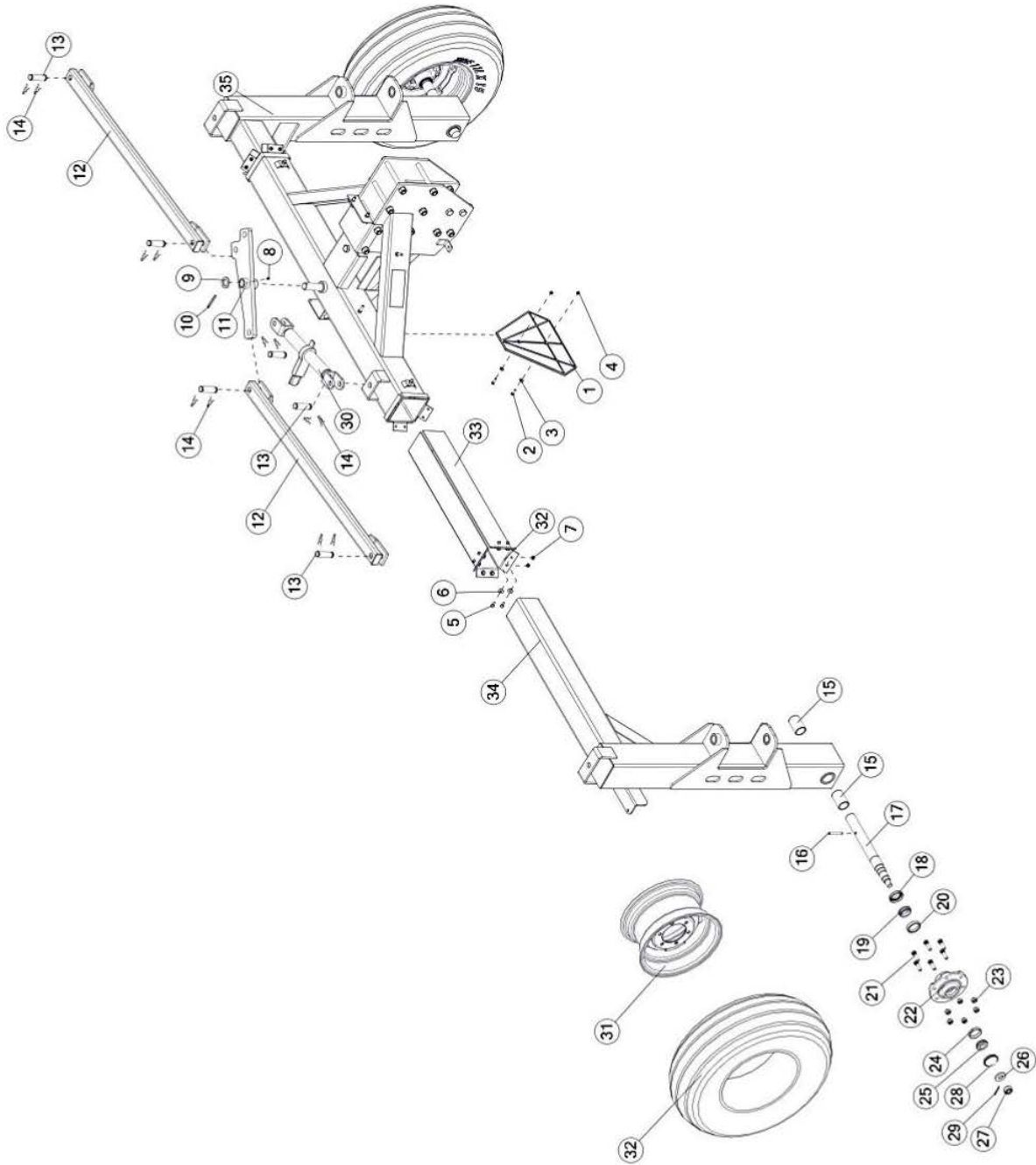


FIGURE 4

REAR FRAME & AXLE ASSEMBLY

<u>ITEM</u>	<u>QTY.</u>	<u>PART #</u>	<u>DESCRIPTION</u>
1	1	BFR723	SMV SIGN
2	2	YBHH08010	BOLT, 1/4 X 1 GR 5
3	2	YWFL08005	WASHER, FLAT, 1/4 USS
4	2	YNNY08005	HEX NUT, NYLON LOCKNUT, 1/4-20
5	16	YBHH10010	BOLT, 5/16 X 1 GR 5
6	16	YWFL10005	WASHER, FLAT, 5/16 USS
7	16	YNTL10005	HEX NUT, TOP LOCK, 5/16-18
8	1	G89	ZERK, 1/4"-28 STRAIGHT-STD #1641
9	1	BFR229	WASHER
10	1	YPCT08010	COTTER PIN, 1/4 X 2-1/2
11	1	HD8	CAM ARM
12	2	FR9	CYLINDER LINK
13	6	T143	HYDRAULIC CYLINDER PIN
14	12	53371	CYLINDER PIN
15	4	58275	BUSHING, 2.00 OD X 1.75 ID X 3.00 LONG
16	2	YPEX12025	EXPANSION PIN, 3/8" X 2-3/4"
17	2	FR55	BACK SPINDLE
18	2	12N17	SEAL
19	2	12N18	INNER BEARING
20	2	12N19	INNER RACE
21	12	YBSD16005	STUD BOLT, 1/2-20 UNF X 1-7/8
22	2	RG101	HUB W/RACES & STUDS ONLY
23	12	YNWL16005	WHEEL NUT, 1/2-20 UNF
24	2	12N21	OUTER RACE
25	2	12N25	OUTER BEARING
26	2	HD200	ROAD WHEEL SPINDLE WASHER
27	2	YNSL28005	HEX NUT, SLOTTED, 7/8-14
28	2	17G144	HUB CAP
29	2	YPCT05010	COTTER PIN, 5/32 X 1-1/2
30	1	T138	RATCHET JACK W/ HANDLE
31	2	12N24	WHEEL 15 X 8, 6-BOLT, 1.125 OFFSET
*	2	33417	COMPLETE WHEEL & TIRE ASSEMBLY
32	4	FR52	THICK POLY SLIDES
33	4	FR53	THIN POLY SLIDES
34	1	58343	UPRIGHT, RIGHT
35	1	58342	UPRIGHT, LEFT
36	2	LW122	TIRE 11L X 15

NOTE: * MEANS NOT SHOWN

FIGURE 5

RIGHT CASTER

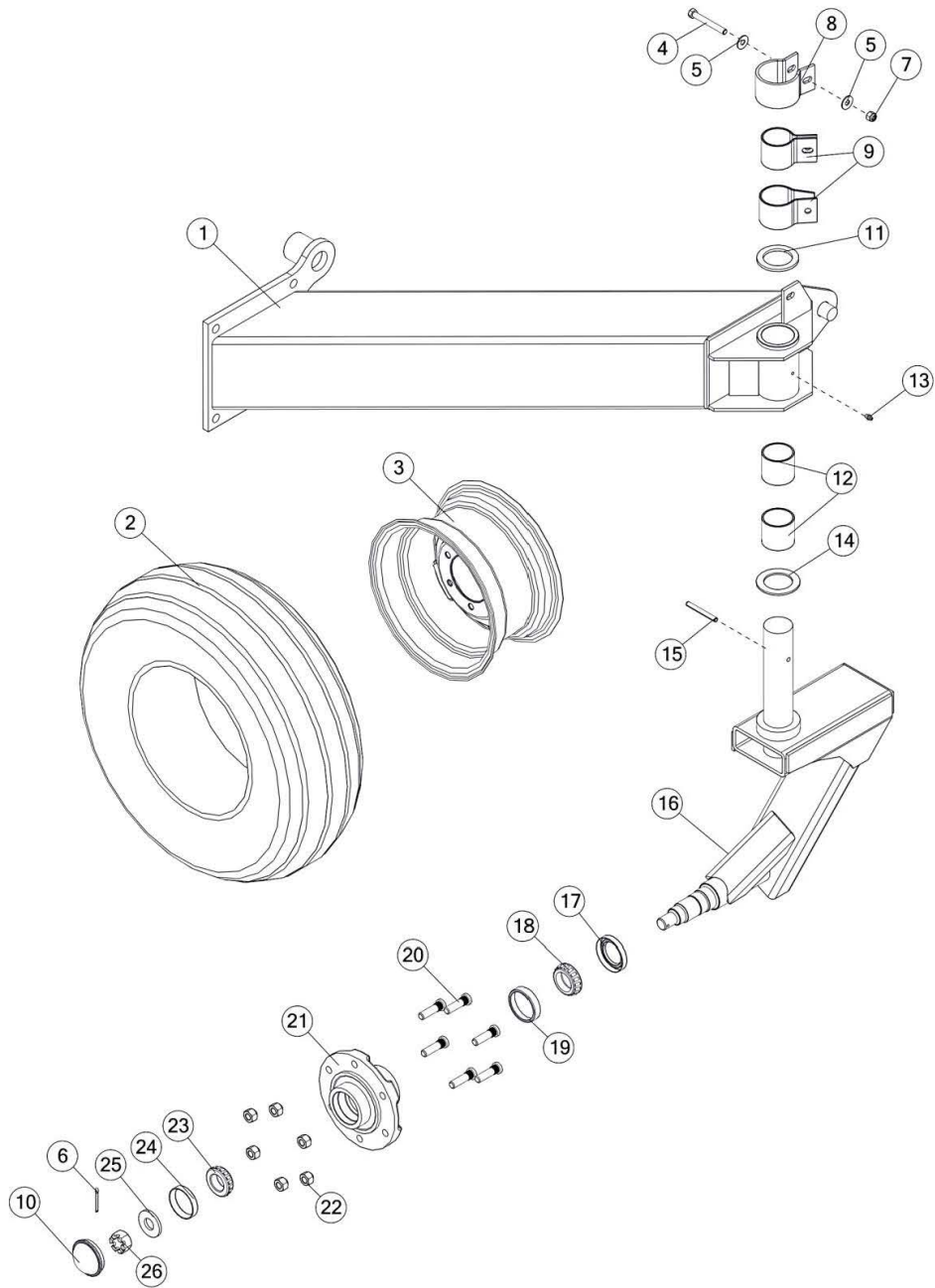


FIGURE 5

RIGHT CASTER

<u>ITEM</u>	<u>QTY.</u>	<u>PART #</u>	<u>DESCRIPTION</u>
1	1	58354	STANDOFF, RH
2	2	LW122	TIRE 11L X 15
3	2	12N24	WHEEL 15 X 8, 6 BOLT
*	2	33417	COMPLETE WHEEL & TIRE ASSEMBLY
4	2	YBHH12125	BOLT, 3/8 X 3 GR 5 FULL THREAD
5	4	YWFL12005	WASHER, FLAT, 3/8 USS
6	2	YPCT05010	COTTER PIN, 5/32 X 1-1/2
7	2	YNNY12005	HEX NUT, NYLON LOCKNUT, 3/8
8	2	BFR311	BRAKE COLLAR
9	4	BFR310	BRAKE PAD
10	2	17G144	HUB CAP
11	2	BFR309	GAUGE WHEEL WASHER
12	4	RG26	BUSHING, 2.015" ID X 2.25" OD X 2.00" LONG
13	2	G89	ZERK, 1/4"-28 STRAIGHT-STD #1641
14	2	RG24	WASHER, THRUST, BRONZE, 2.00" ID X 3.00 OD X .125" LONG
15	2	YPEX10025	EXPANSION PIN, 5/16" X 2-3/4"
16	2	FR23	ASSY, RH CASTER
17	2	12N17	SEAL
18	2	12N18	INNER BEARING
19	2	12N19	INNER RACE
20	12	YBSD16005	STUD BOLT, 1/2-20 UNF X 1-7/8
21	2	RG101	HUB W/RACES & STUDS ONLY
22	12	YNWL16005	WHEEL NUT, 1/2-20 UNF
23	2	12N25	OUTER BEARING
24	2	12N21	OUTER RACE
25	2	HD200	ROAD WHEEL SPINDLE WASHER
26	2	YNSL28005	HEX NUT, SLOTTED, 7/8-14

NOTE: * MEANS NOT SHOWN

FIGURE 6

LEFT CASTER

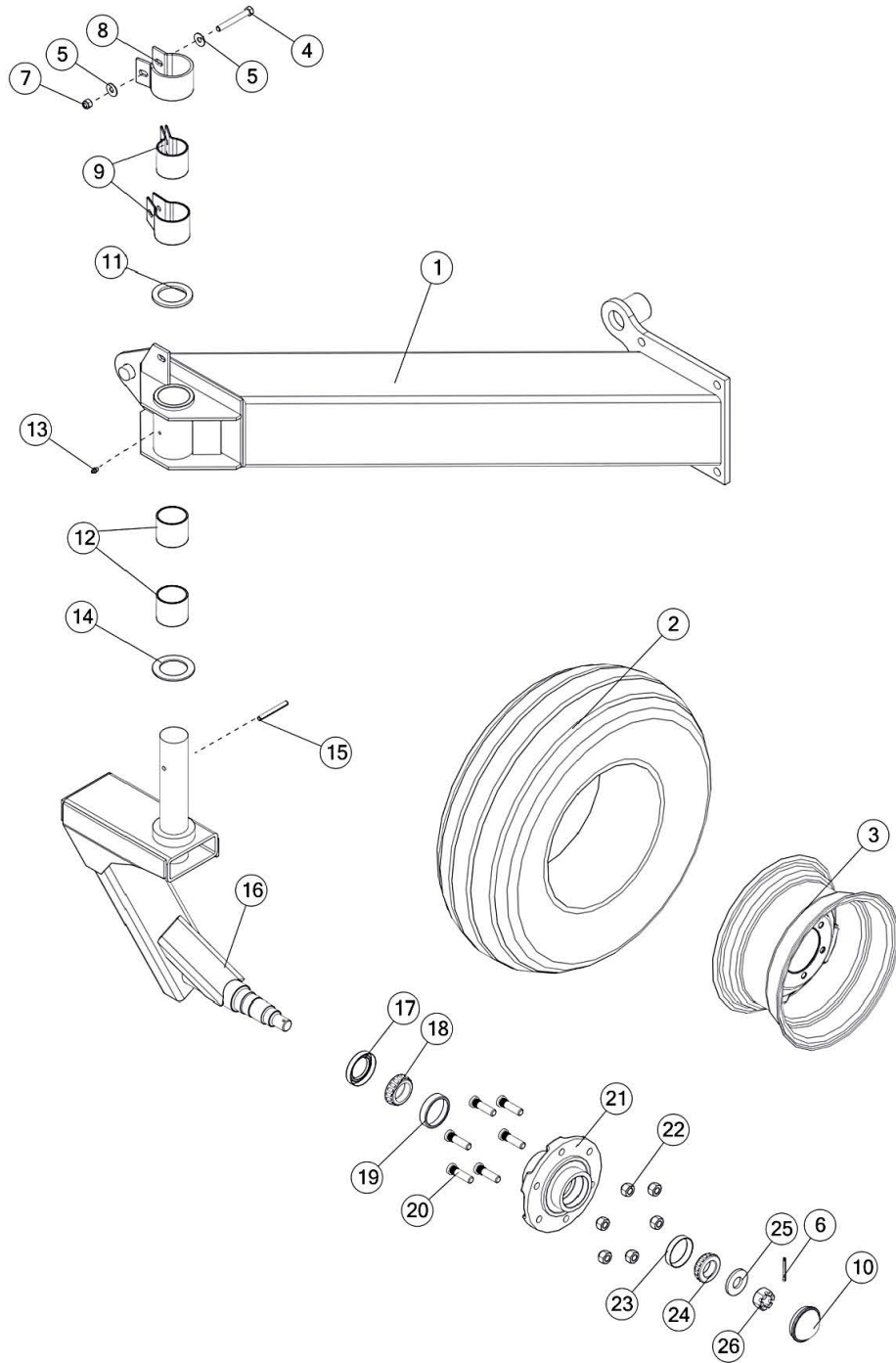


FIGURE 6

RIGHT CASTER

<u>ITEM</u>	<u>QTY.</u>	<u>PART #</u>	<u>DESCRIPTION</u>
1	1	57991	STANDOFF, LH
2	2	LW122	TIRE 11L X 15
3	2	12N24	WHEEL 15 X 8, 6 BOLT
*	2	33417	COMPLETE WHEEL & TIRE ASSEMBLY
4	2	YBHH12125	BOLT, 3/8 X 3 GR 5 FULL THREAD
5	4	YWFL12005	WASHER, FLAT, 3/8 USS
6	2	YPCT05010	COTTER PIN, 5/32 X 1-1/2
7	2	YNNY12005	HEX NUT, NYLON LOCKNUT, 3/8
8	2	BFR311	BRAKE COLLAR
9	4	BFR310	BRAKE PAD
10	2	17G144	HUB CAP
11	2	BFR309	GAUGE WHEEL WASHER
12	4	RG26	BUSHING, 2.015" ID X 2.25" OD X 2.00" LONG
13	2	G89	ZERK, 1/4"-28 STRAIGHT-STD #1641
14	2	RG24	WASHER, THRUST, BRONZE, 2.00" ID X 3.00 OD X .125"
15	2	YPEX10025	LONG EXPANSION PIN, 5/16" X 2-3/4"
16	2	FR22	ASSY, LH CASTER
17	2	12N17	SEAL
18	2	12N18	INNER BEARING
19	2	12N19	INNER RACE
20	12	YBSD16005	STUD BOLT, 1/2-20 UNF X 1-7/8
21	2	RG101	HUB W/RACES & STUDS ONLY
22	12	YNWL1600	WHEEL NUT, 1/2-20 UNF
23	2	5 12N21	OUTER RACE
24	2	12N25	OUTER BEARING
25	2	HD200	ROAD WHEEL SPINDLE WASHER
26	2	YNSL28005	HEX NUT, SLOTTED, 7/8-14

FIGURE 7
RIGHT & LEFT FRONT RAKE BEAMS

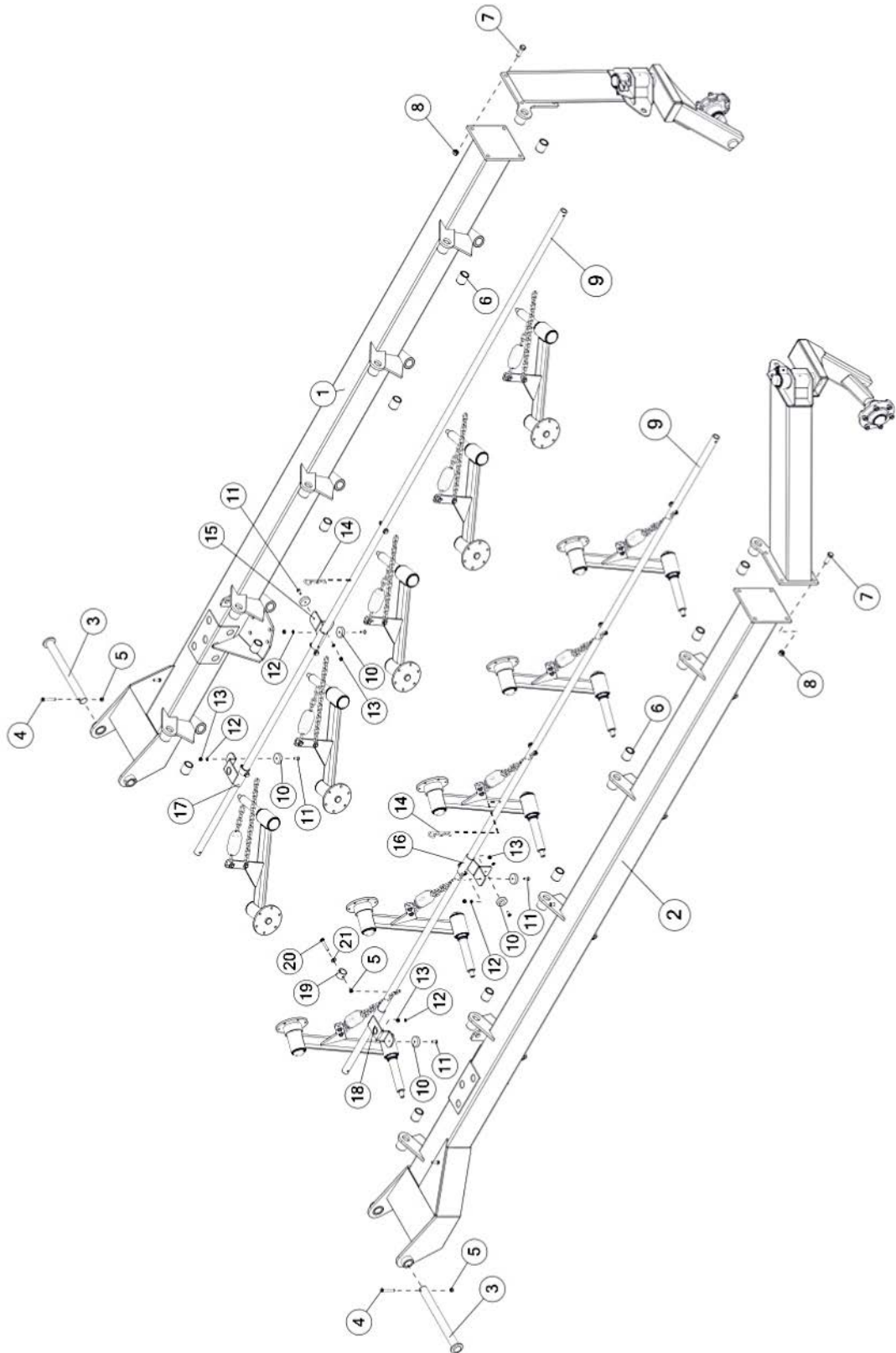


FIGURE 7

RIGHT & LEFT FRONT RAKE BEAMS

<u>ITEM</u>	<u>QTY.</u>	<u>PART #</u>	<u>DESCRIPTION</u>
1	1	60001	FRONT RAKE BEAM, LEFT
2	1	60351	FRONT RAKE BEAM, RIGHT
3	2	FR8	PIVOT PIN
4	2	YBHH12110	BOLT, 3/8 X 2-3/4 GR 5
5	7	YNTL12005	HEX NUT, TOP LOCK, 3/8-16
6	12	HD128	BUSHING
7	8	YBHH20025	BOLT, 5/8 X 2 GR 5
8	8	YNHX20005	HEX NUT, 5/8-11 PLATED
9	2	60214	FRONT LIFT PIPE
10	6	FR51	SLIDER PAD
11	6	YSFS10005	FLAT HEAD SOCKET CAP SCREW, 5/16 X
12	6	YWLO10005	1 WASHER, LOCK, 5/16
13	6	YNHX12005	HEX NUT, 3/8-16
14	2	YPHR08040	HAIR PIN, 1/4" X 5" 2109
15	1	FR39	LEFT PIPE STABILIZER
16	1	FR40	RIGHT PIPE STABILIZER
17	1	FR31	LH PIPE LIFTER
18	1	FR32	RH PIPE LIFTER
*	2	YPLY12010	LYNCH PIN, 7/16" X 1-3/4
*	2	58362	TRANSPORT LOCK BAR
19	2	FR50	SLIDE STOP
20	2	YBCR12050	CARR.BOLT, 3/8" X 2-3/4 GR
21	2	YWFL12005	WASHER, FLAT, 3/8" USS

* MEANS NOT SHOWN

FIGURE 8
RIGHT & LEFT BACK RAKE BEAMS

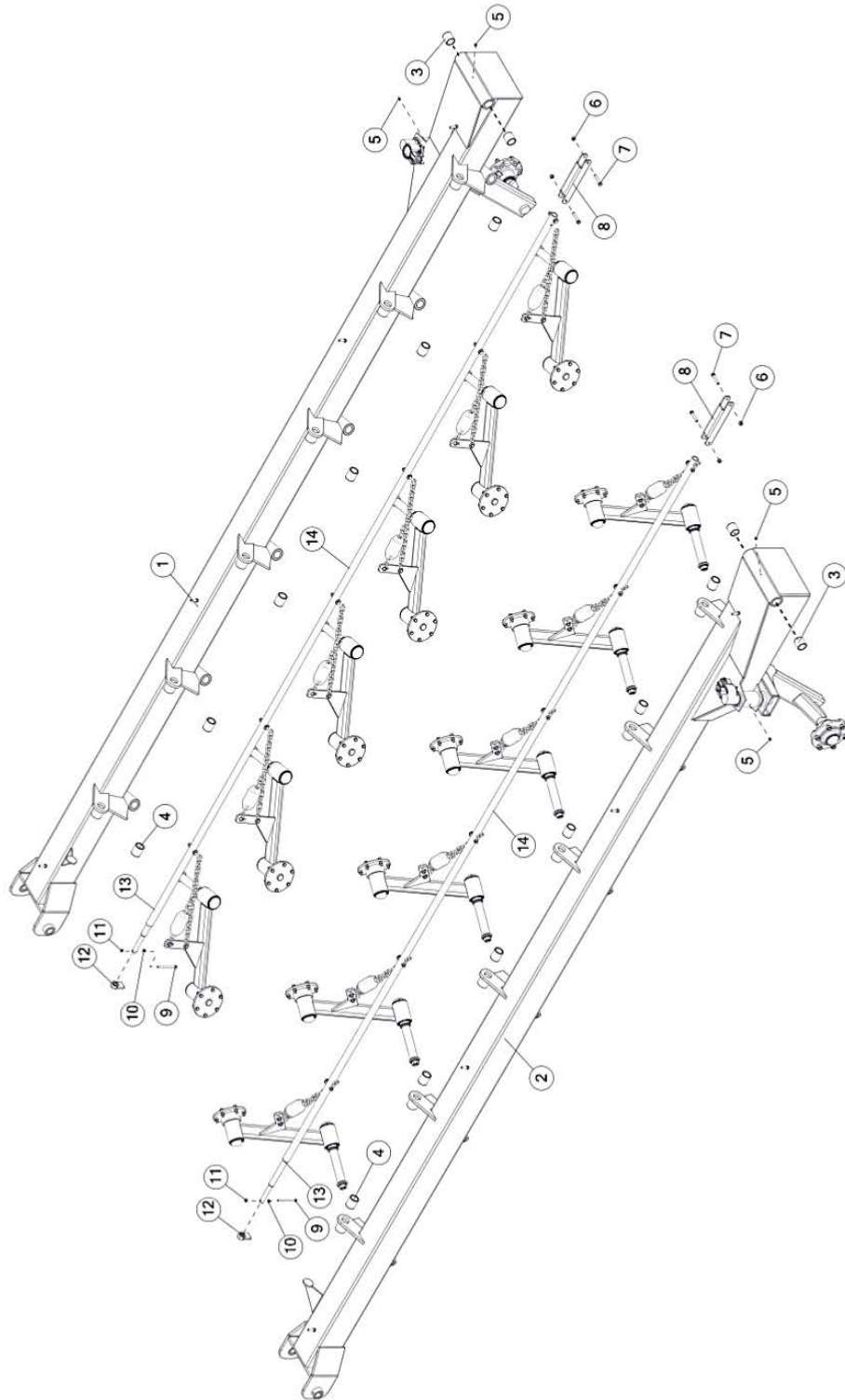


FIGURE 8

RIGHT & LEFT BACK RAKE BEAMS

<u>ITEM</u>	<u>QTY.</u>	<u>PART #</u>	<u>DESCRIPTION</u>
1	1	FR13	ASSY, BACK LH RAKE BEAM
2	1	FR14	ASSY, BACK RH RAKE BEAM
3	4	FR83	IRON BUSHING, 1.511"ID X 1-3/4"OD X 1-3/4"
4	12	HD128	BUSHING
5	4	G89	ZERK, 1/4"-28 STRAIGHT-STD #1641
6	4	YNTL12005	HEX NUT, TOP LOCK, 3/8-16
7	4	YBHH12105	BOLT, 3/8 X 2-1/4 GR 5 FULL THREAD
8	2	58392	PIPE LINKAGE
9	2	YBHH08115	BOLT, 1/4 X 4 GR 5 FULL THREAD
10	2	YNHX08005	HEX NUT, 1/4
11	2	BFR426	ASSY,RAKE PRESSURE HANDLE
12	2	YNAC24005	HEX NUT, ACME, 3/4-6
13	2	BFR486	ASSY, RAKE ARM LOCK-UP SHAFT
14	2	FR57	REAR LIFT PIPE

FIGURE 9

U-JOINT ASSEMBLY

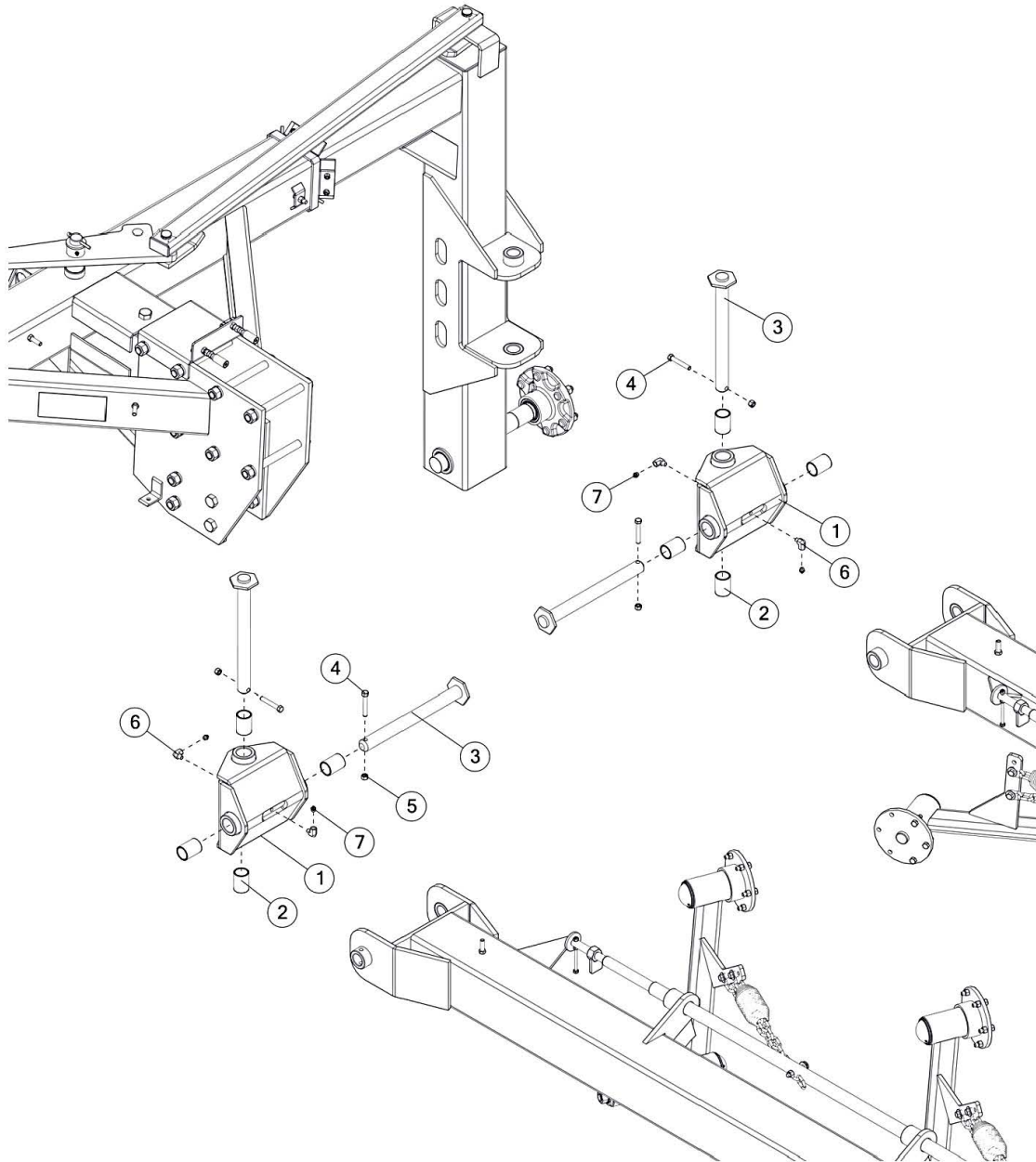


FIGURE 9

U-JOINT ASSEMBLY

<u>ITEM</u>	<u>QTY.</u>	<u>PART #</u>	<u>DESCRIPTION</u>
1	2	FR5	U-JOINT
2	8	RG132	BUSHING, 1.260" ID X 1.50" OD X 2.00" LONG
3	4	FR10	U-JOINT PIN
4	4	YBHH12090	BOLT, 3/8 X 2-1/2 GR 5
5	4	YNL12005	HEX NUT, TOP LOCK, 3/8-16
6	4	58453	ELBOW 1/8-27 THREADS
7	4	BFR28	1/8" NPT GREASE ZERK

FIGURE 10

RAKE WHEEL ASSEMBLY

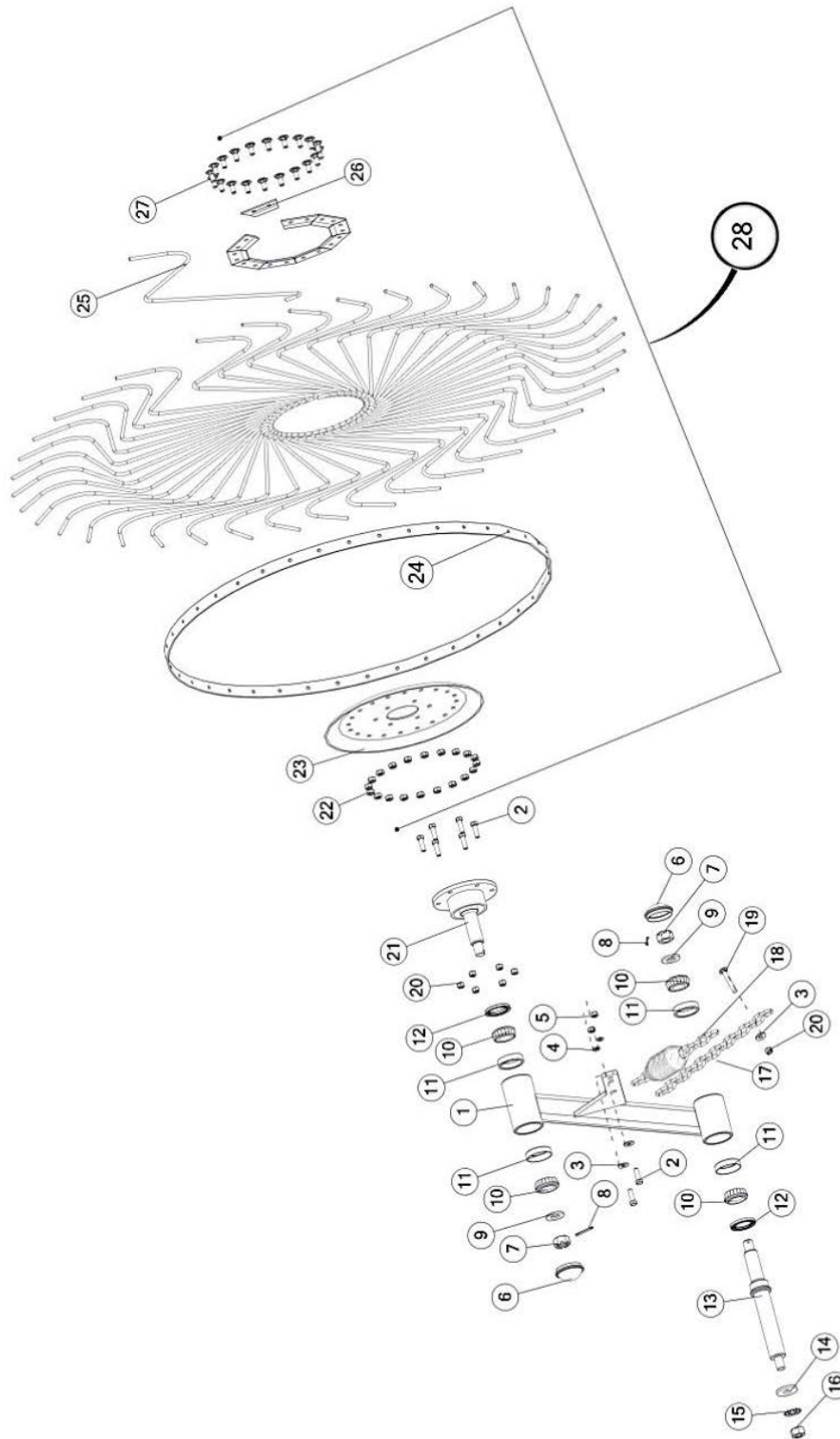


FIGURE 10

RAKE WHEEL ASSEMBLY

<u>ITEM</u>	<u>QTY.</u>	<u>PART #</u>	<u>DESCRIPTION</u>
1	11	FR6	ASSY, RH RAKE ARM
-	11	FR7	ASSY, LH RAKE ARM
2	176	YBHH12035	BOLT, 3/8"-16 X 1-1/4" GR. 5
3	66	YWFL12005	WASHER, FLAT, 3/8 USS
4	44	YWLO12005	WASHER, LOCK, 3/8
5	44	YNHX12005	HEX NUT, 3/8-16
6	44	17G144	HUB CAP
7	44	YNSL28005	HEX NUT, SLOTTED, 7/8-14
8	44	YPCT05010	COTTER PIN, 5/32 X 1-1/2
9	44	HD121	7/8"ID X 1-3/4"OD WASHER
10	88	HD122	15125 CONE PEER BEARING
11	88	58714	RACE
12	44	HD124	SEAL
13	22	FR54	FRONT PIVOT SPINDLE
14	22	HD157	PIVOT WASHER
15	22	YWSI24005	WASHER, LOCK, STAR, INTERNAL/EXTERNAL, 3/4
16	22	YNHX24004	HEX NUT, 3/4-10 GR 5
17	22	FR58	CHAIN - 15 LINKS
18	22	8771	RAKE WHEEL SPRING
19	22	YBCR12050	CARR. BOLT, 3/8 X 2-3/4 GR 5
20	154	YNTL12005	HEX NUT, TOP LOCK, 3/8-16
21	22	FR24	RAKE WHEEL HUB
22	440	YNHX76015	HEX NUT, M10-1.5
23	22	T179	RAKE WHEEL CENTER
24	22	T177	RAKE WHEEL OUTER RING
25	880	FR73	RAKE WHEEL TOOTH
26	440	T178	RAKE TOOTH CLIP
27	440	YBCR76005	CARR. BOLT, 10MM X 25MM
28	11	FR70	60" RIGHT HAND RAKE WHEEL
-	11	FR69	60" LEFT HAND RAKE WHEEL

FIGURE 11 HYDRAULICS

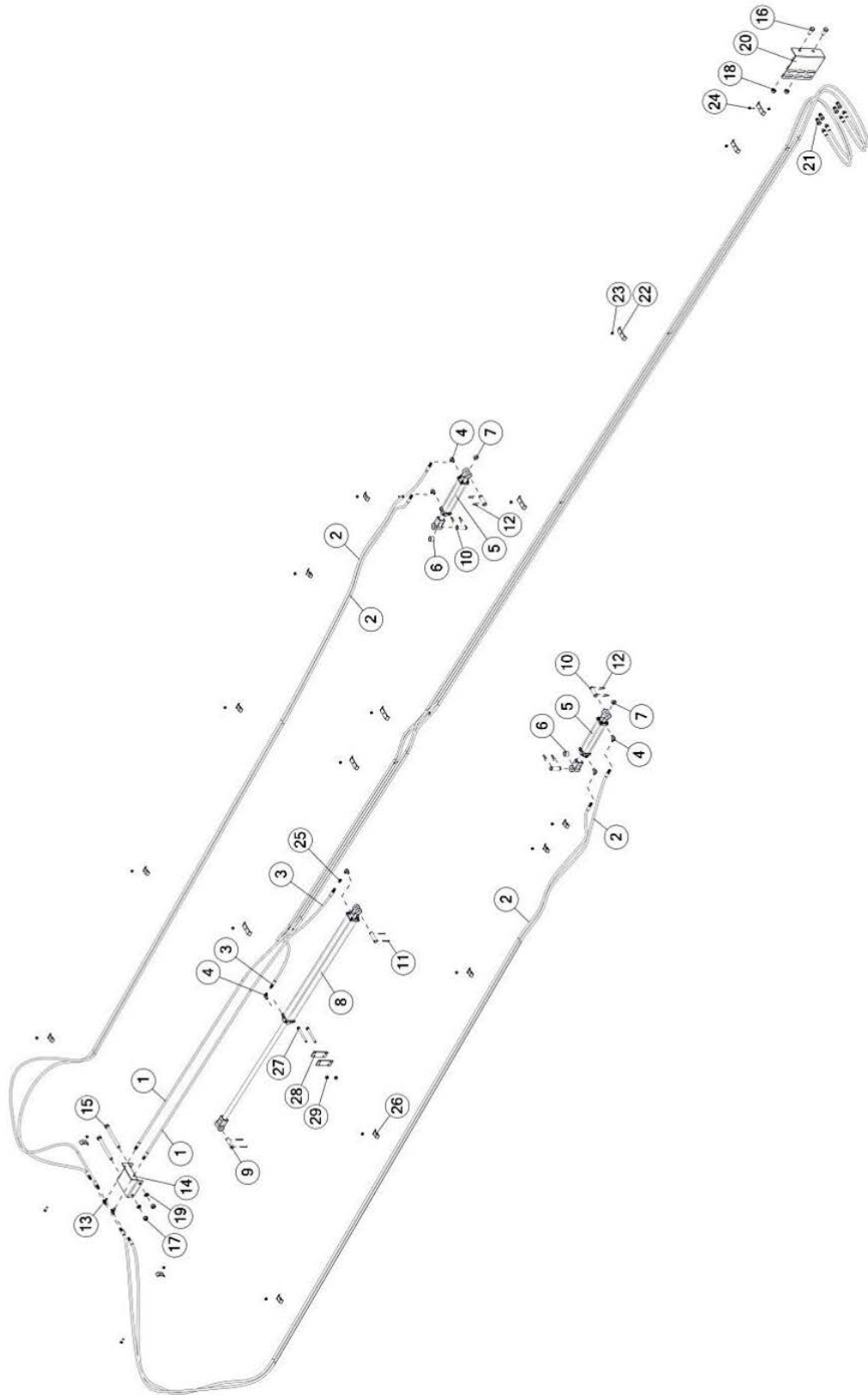


FIGURE 11

HYDRAULICS

<u>ITEM</u>	<u>QTY.</u>	<u>PART #</u>	<u>DESCRIPTION</u>
1	2	60305	HOSE, MAIN
2	4	58403	HOSE, LIFT CYL
3	2	58445	HOSE, MAIN
4	6	58444	MALE ELBOW 37 DEG, 3/8-4 2"
5	2	56000	X 10" HYDRAULIC CYLINDER
6	2	F18-TU-26	CYLINDER MOUNT SPACER
7	2	58374	SPACER
8	1	60374	2.5 X 40" CYLINDER (3000PSI)
9	2	BFR634	CYLINDER PIN
10	4	T143	HYDRAULIC CYLINDER PIN
11	4	YPCT06020	COTTER PIN, 3/16 X 2
12	8	53371	CYLINDER PIN
13	2	58414	BULKHEAD TEE, #4
14	1	58411	HYDRAULIC MOUNT
15	2	YBHH24115	BOLT, 3/4 X 8-1/2 GR 5
16	2	YBHH24014	BOLT, 3/4-10 X 1-3/4" GR. 5 HEX
17	2	YNHX24004	NUT, 3/4-10 GR 5
18	2	YNTL24005	HEX NUT, TOP LOCK, 3/4-10
19	2	YWLO24005	WASHER, LOCK, 3/4
20	1	60269	HOSE HOLDER
21	4	DWM205	MALE QUICK COUPLER HOSE
22	6	58448	BRACKET
23	19	YNTL12005	HEX NUT, TOP LOCK, 3/8-16
24	1	YBHH12025	BOLT, 3/8-16 X 1-1/2 GR 5
25	1	58109	4 XHX7-S .047 ORIFICE
26	12	23N67	FRONT HOSE BRACKET
27	2	YBHH16160	BOLT, 1/2 X 5-1/2 GR 5
28	2	58692	SPACER, CYL
29	2	YNRL16005	HEX NUT, REVERSIBLE-SIDE LOCK, 1/2-13

FIGURE 12

LIFT CYLINDER

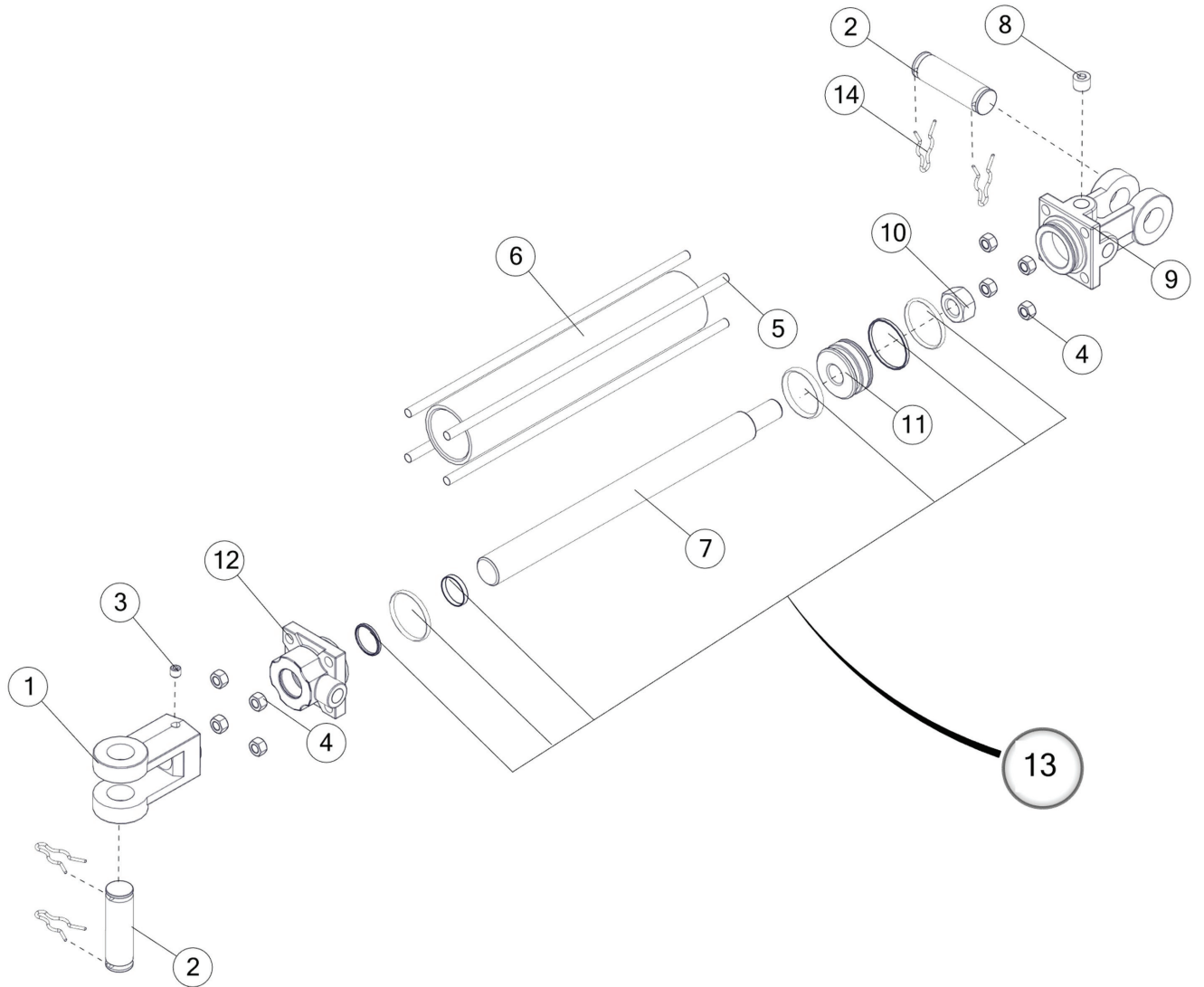


FIGURE 12
LIFT CYLINDER

<u>ITEM</u>	<u>QTY.</u>	<u>PART #</u>	<u>DESCRIPTION</u>
1	1	23N150A	ROD CLEVIS
2	2	T143	HYDRAULIC CYLINDER PIN
3	1	YSSO12015	SET SCREW, SOCKET, 3/8-24 X 3/8
4	8	YNHX12006	HEX NUT, 3/8-24
5	4	16SV170	TIE ROD
6	1	16SV169	CYLINDER TUBE
7	1	16SV168A	CYLINDER ROD FOR 2" X 10" CYLINDER
8	1	23N149	PLUG
9	1	23N142A	CLEVIS CAP FOR 2" CYLINDER
10	1	23N148	PISTON NUT
11	1	56180	PISTON FOR 2" CYLINDER
12	1	56174	ROD CAP FOR 2" CYLINDERS
13	1	56187	SEAL KIT FOR 2" CYLINDER
14	1	53371	CYLINDER PIN
-	1	56000	2" X 10" HYDRAULIC CYLINDER

FIGURE 13
OPEN CYLINDER

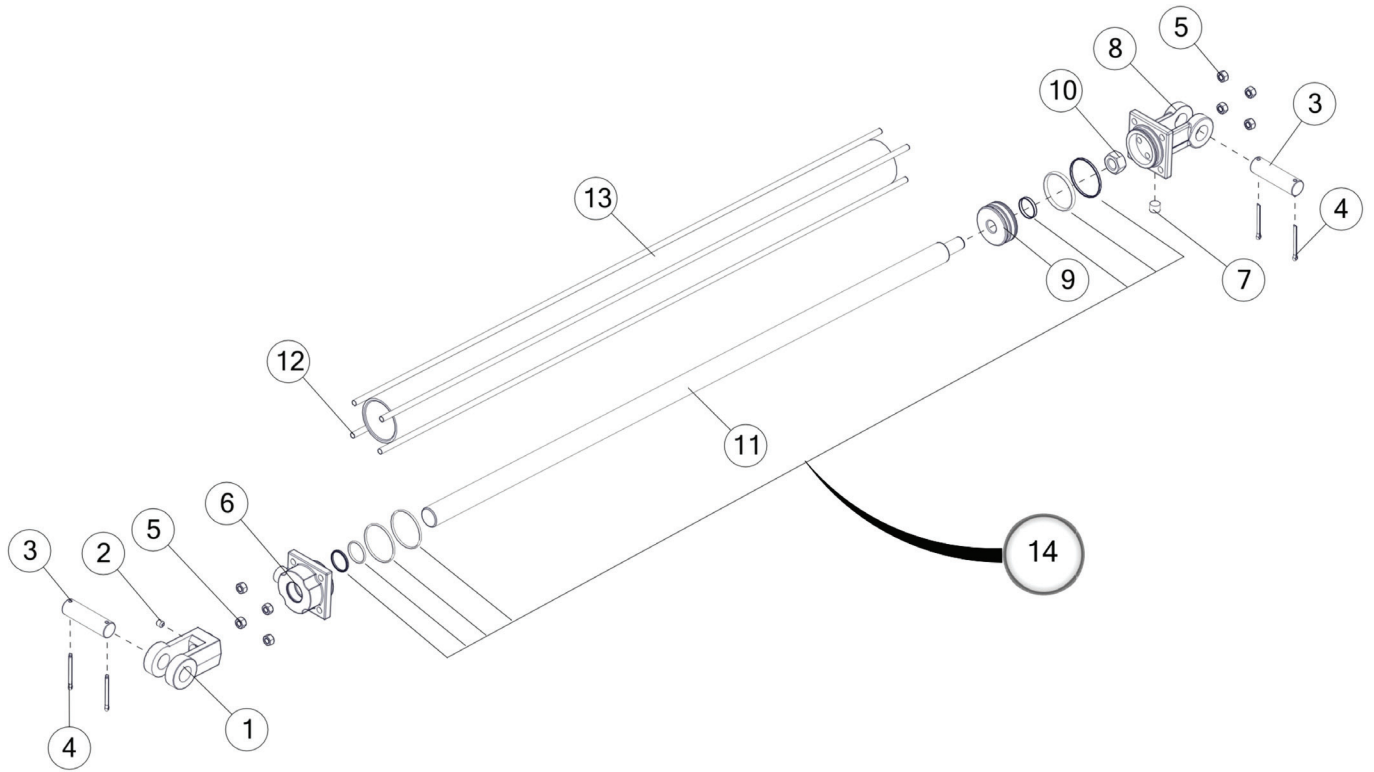


FIGURE 13
OPEN CYLINDER

<u>ITEM</u>	<u>QTY.</u>	<u>PART #</u>	<u>DESCRIPTION</u>
1	1	23N150A	ROD CLEVIS
2	1	YSSO12015	SET SCREW, SOCKET, 3/8-24 X 3/8
3	2	BFR634	CYLINDER PIN
4	4	YPCT06020	COTTER PIN, 3/16 X 2
5	8	YNHX12006	HEX NUT, 3/8-24
6	1	58688	2.5" ROD CAP
7	1	23N149	PLUG
8	1	56173	CLEVIS CAP FOR 2.5" CYLINDER
9	1	56181	PISTON FOR 2.5" CYLINDER
10	1	23N148	PISTON NUT
11	1	60626	CYLINDER ROD
12	4	BFR65	COTTER PIN, 5/32" X 1-1/2"
13	1	60627	2.5 X 40" CYLINDER TUBE
14	1	60374	2.5" X 40" HYDRAULIC CYLINDER

FIGURE 14
OPTIONAL HYDRAULIC REAR OPENING CYLINDER

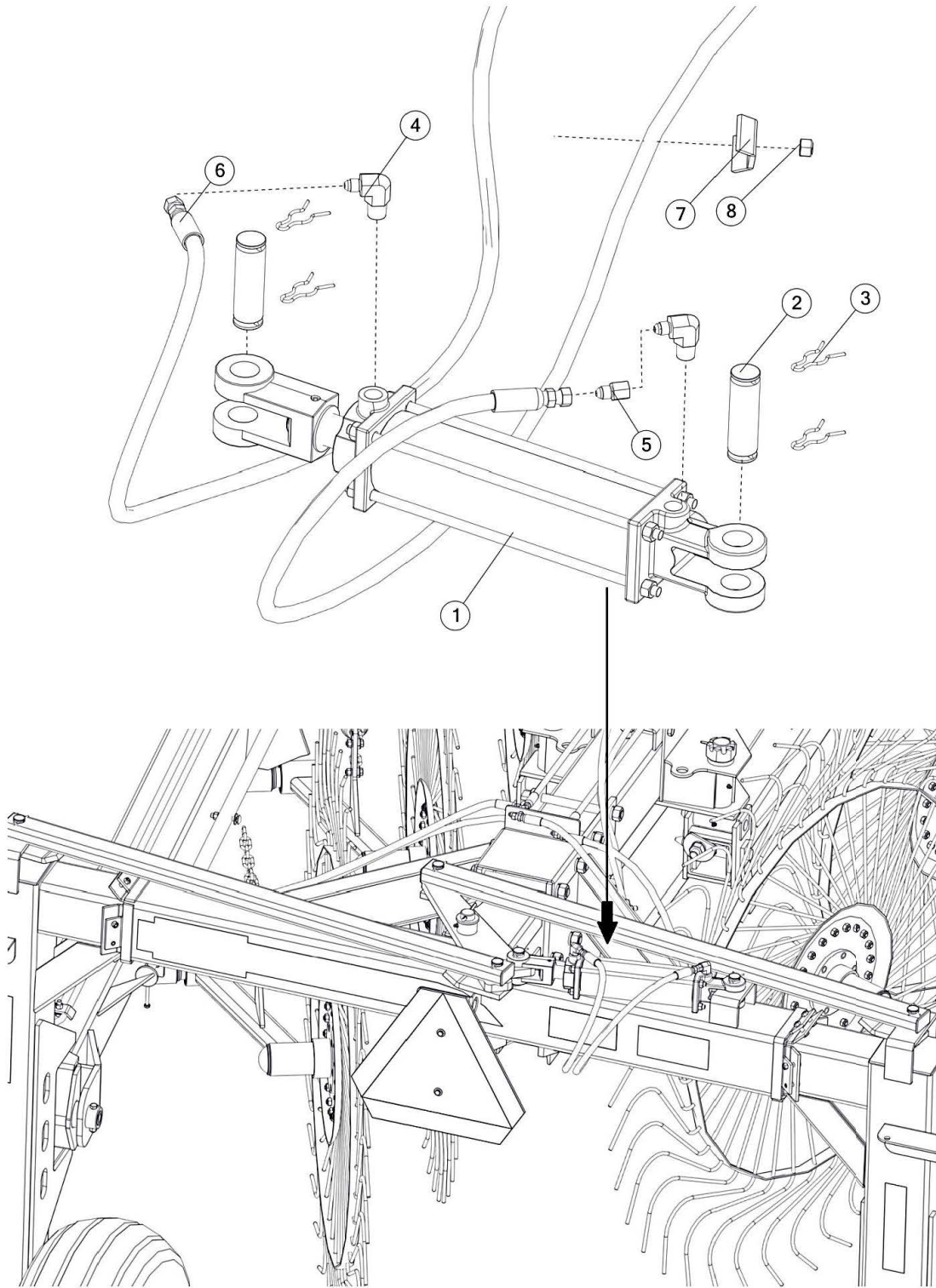


FIGURE 14

OPTIONAL HYDRAULIC REAR OPENING CYLINDER

<u>ITEM</u>	<u>QTY.</u>	<u>PART #</u>	<u>DESCRIPTION</u>
1	1	56006	2.5" X 8" HYDRAULIC CYLINDER
2	2	T143	HYDRAULIC CYLINDER PIN
3	4	53371	CYLINDER PIN
4	2	58444	MALE ELBOW 37 DEG, 3/8-4
5	1	58108	4 XHX7-S .031 ORIFICE
6	2	60290	HOSE,HYD OPEN
7	1	23N67	FRONT HOSE BRACKET
8	1	YNL12005	HEX NUT, TOP LOCK, 3/8-16

FIGURE 15
OPTIONAL TANDEM AXLE

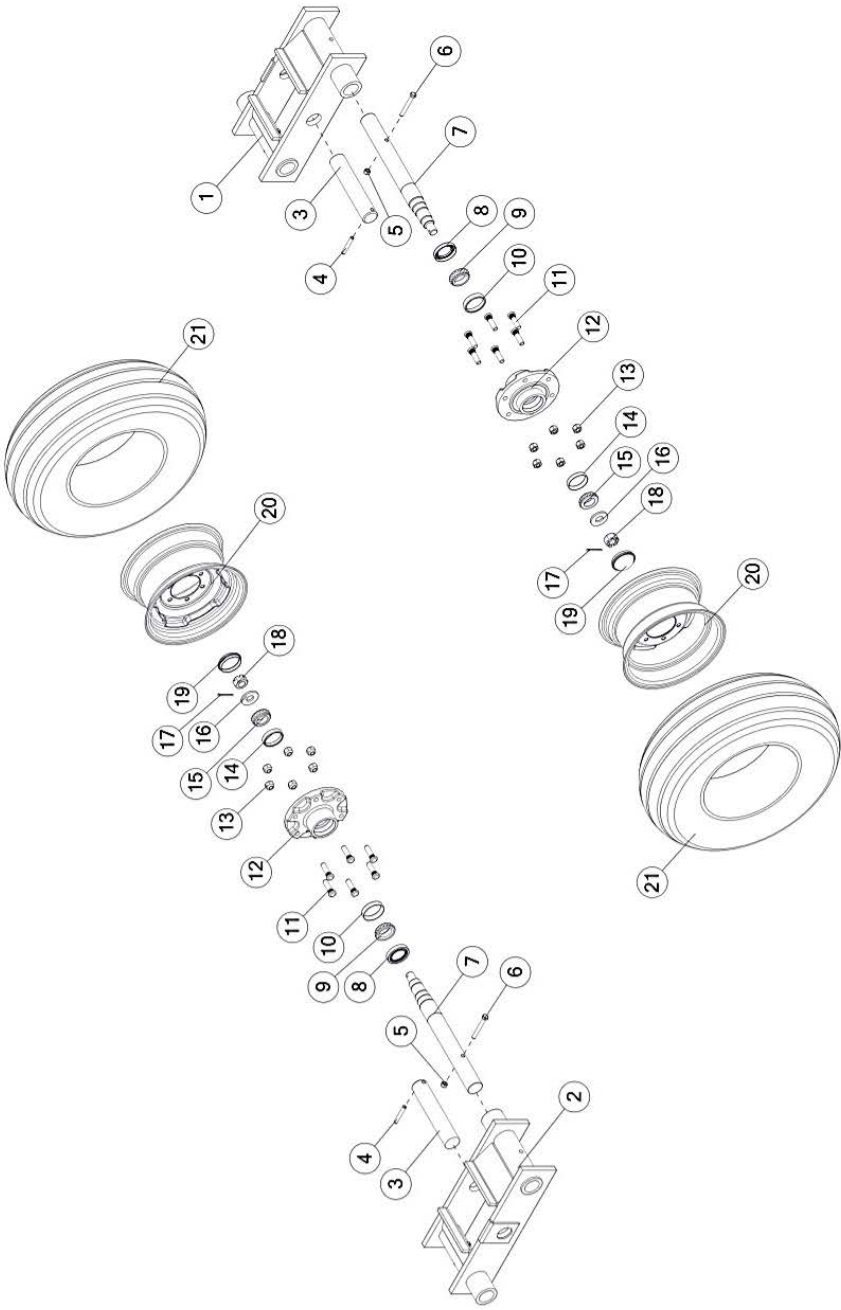


FIGURE 15

OPTIONAL TANDEM AXLE

<u>ITEM</u>	<u>QTY.</u>	<u>PART #</u>	<u>DESCRIPTION</u>
1	1	58299	RIGHT TANDEM
2	1	58300	LEFT TANDEM
3	2	58278	AXLE PIVOT PIN
4	2	YPEX12022	EXPANSION PIN, 3/8" X 2-3/8"
5	2	YNTL12005	HEX NUT, TOP LOCK, 3/8-16
6	2	YBHH12120	BOLT, 3/8 X 3 GR 5
7	2	FR55	BACK SPINDLE
8	2	12N17	SEAL
9	2	12N18	INNER BEARING
10	2	12N19	INNER RACE
11	12	YBSD16005	STUD BOLT, 1/2-20 UNF X 1-7/8
12	2	RG101	HUB W/RACES & STUDS ONLY
13	12	YNWL16005	WHEEL NUT, 1/2-20 UNF
14	2	12N21	OUTER RACE
15	2	12N25	OUTER BEARING
16	2	HD200	ROAD WHEEL SPINDLE WASHER
17	2	YPCT05010	COTTER PIN, 5/32 X 1-1/2
18	2	YNSL28005	HEX NUT, SLOTTED, 7/8-14
19	2	17G144	HUB CAP
20	2	12N24	WHEEL 15 X 8, 6 BOLT
21	2	LW122	TIRE 11L X 15
-	2	33417	COMPLETE WHEEL & TIRE ASSEMBLY

FIGURE 16
OPTIONAL 2 WHEEL EXTENSION

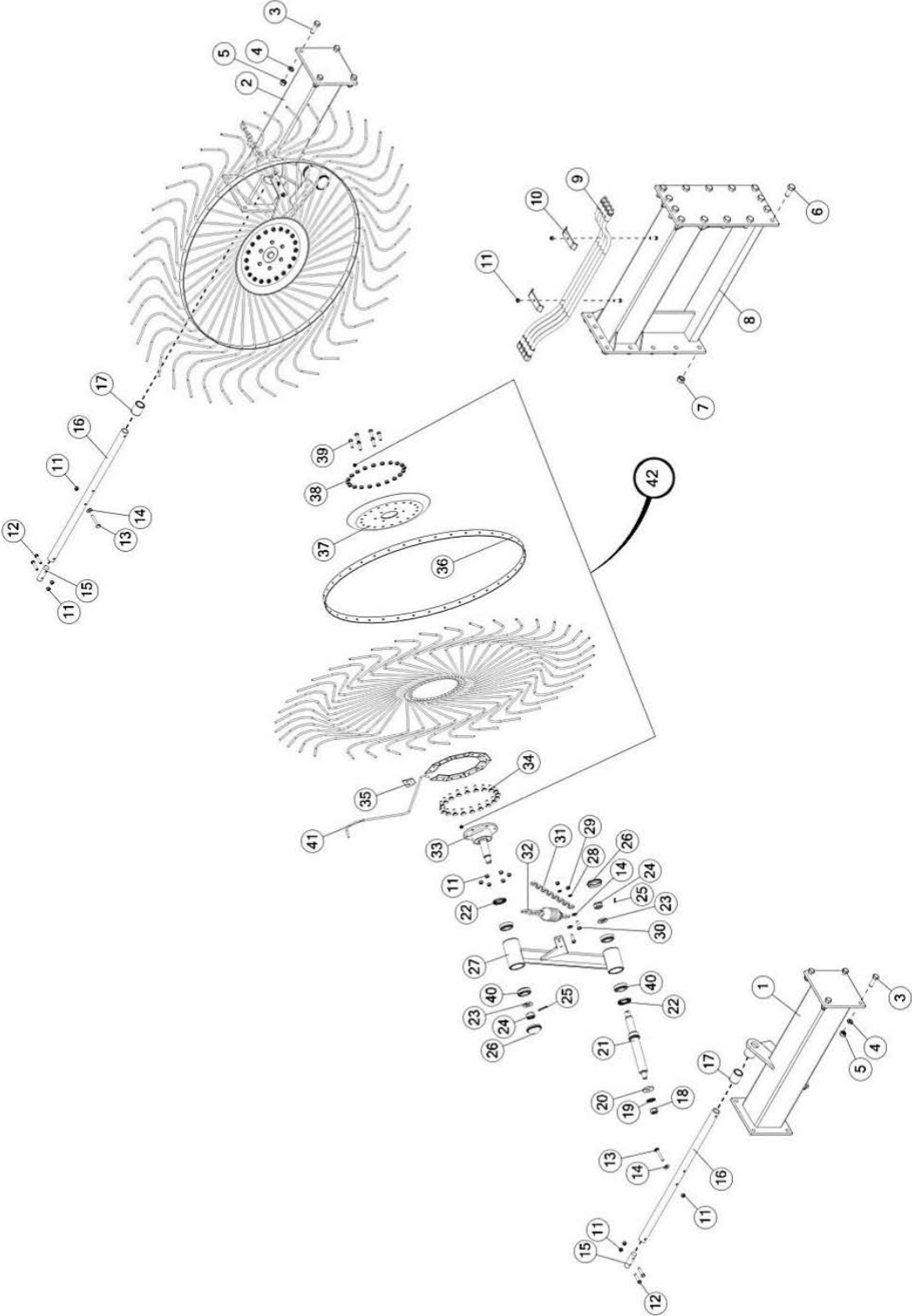
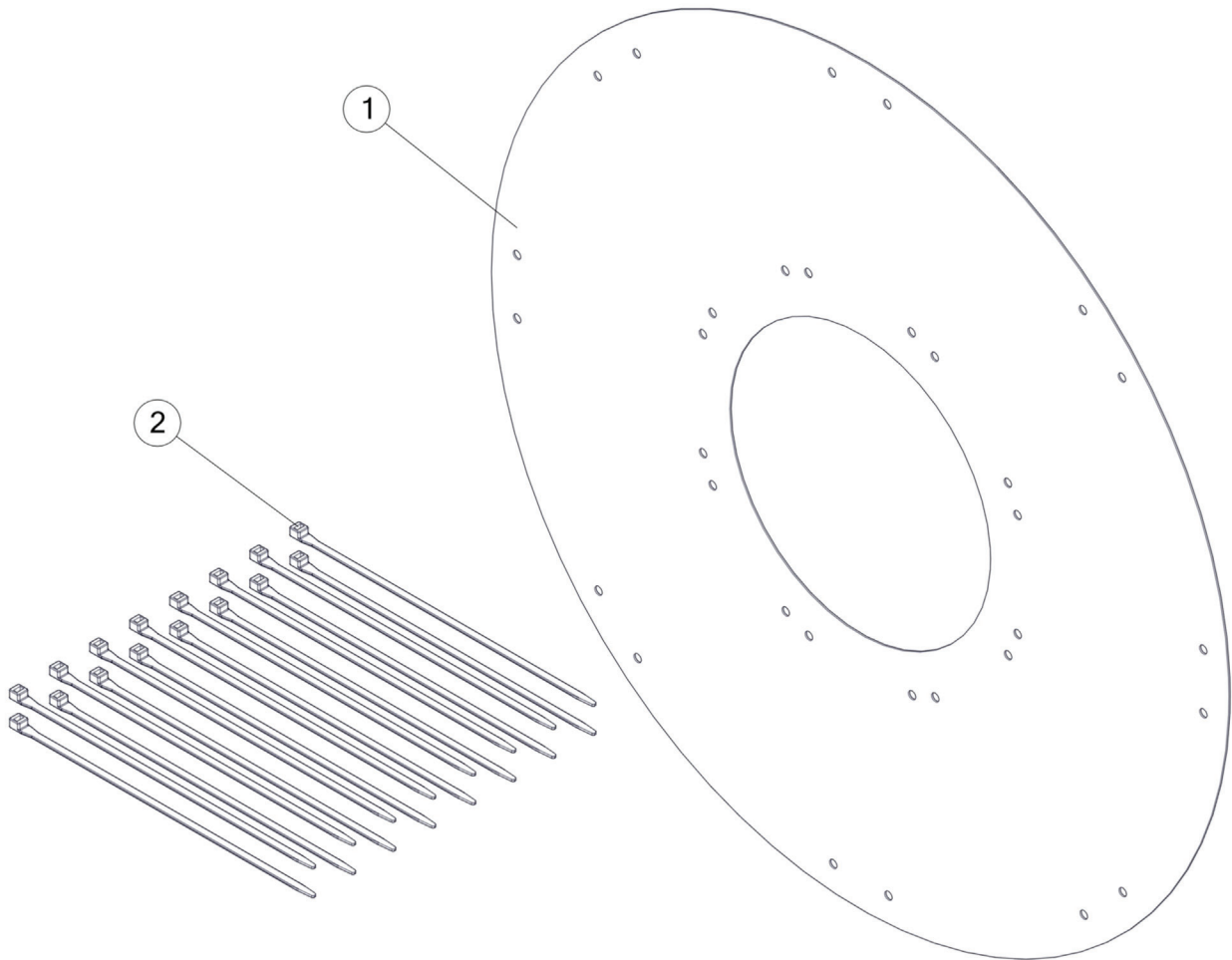


FIGURE 16

OPTIONAL 2 WHEEL EXTENSION

<u>ITEM</u>	<u>QTY.</u>	<u>PART #</u>	<u>DESCRIPTION</u>
1	1	60406	ASSEM, EXTENSION
2	1	60405	ASSEM, EXTENSION
3	8	YBHH20025	BOLT, 5/8 X 2 GR 5
4	8	YWLO20005	WASHER, LOCK, 5/8
5	8	YNHX20005	HEX NUT, 5/8-11 PLATED
6	14	YBHH24014	BOLT, 3/4-10 X 1-3/4" GR. 5
7	14	YNTL24005	HEX NUT, TOP LOCK, 3/4-10
8	1	60513	EXTENSION POLE
9	4	BFR635	HOSE, 3/8" X 33" 1/2"FP & 1/2"MP
10	2	58448	HOSE BRACKET
11	20	YNTL12005	HEX NUT, TOP LOCK, 3/8-16
12	4	YBHH12060	BOLT, 3/8 X 1-3/4 GR 5
13	2	YBCR12050	CARR. BOLT, 3/8 X 2-3/4 GR 5
14	6	YWFL12005	WASHER, FLAT, 3/8 USS
15	2	FR63	LIFT PIPE CONNECTOR
16	2	FR64	F20 LIFT PIPE
17	2	HD128	OPTIONAL GOOSENECK HITCH
18	2	YNHX24004	HEX NUT, 3/4-10 GR 5
19	2	YWSI24005	WASHER, LOCK, STAR,
20	2	HD157	PIVOT WASHER
21	2	FR54	FRONT PIVOT SPINDLE
22	4	HD124	SEAL
23	4	HD121	7/8"ID X 1-3/4"OD WASHER
24	4	YNSL28005	HEX NUT, SLOTTED, 7/8-14
25	4	YPCT05010	COTTER PIN, 5/32 X 1-1/2
26	4	17G144	HUB CAP
27	1	FR6	ASSY, RH RAKE ARM
-	1	FR7	ASSY, LH RAKE ARM
28	4	YWLO12005	WASHER, LOCK, 3/8
29	4	YNHX12005	HEX NUT, 3/8-16
30	4	YBHH12035	BOLT, 3/8"-16 X 1-1/4" GR. 5
31	2	FR58	CHAIN - 15 LINKS
32	2	8771	RAKE WHEEL SPRING
33	2	FR24	RAKE WHEEL HUB
34	40	YBCR76005	CARR. BOLT, 10MM X 25MM
35	20	T178	RAKE TOOTH CLIP
36	2	T177	RAKE WHEEL OUTER RING
37	2	T179	RAKE WHEEL CENTER
38	4	YNHX76015	HEX NUT, M10-1.5
39	12	YBHH12035	BOLT, 3/8"-16 X 1-1/4" GR. 5
40	8	58714	RACE
41	40	FR73	RAKE WHEEL TOOTH
42	1	FR70	60" RIGHT HAND RAKE WHEEL
-	1	FR69	60" LET HAND RAKE WHEEL

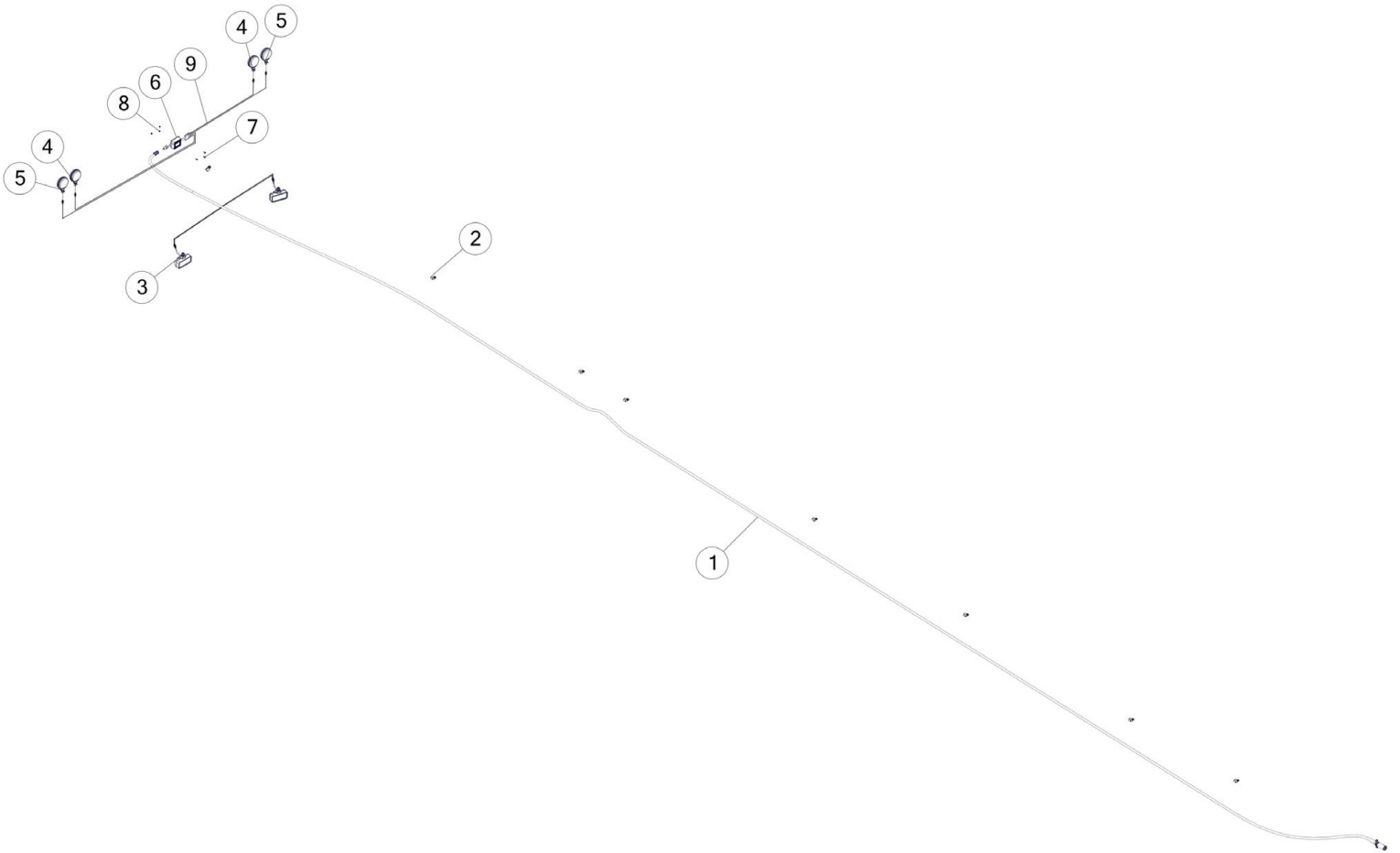
FIGURE 17
WIND GUARD



<u>ITEM</u>	<u>QTY.</u>	<u>PART #</u>	<u>DESCRIPTION</u>
1	1	59039	POLY WIND GAURD, FOR 60" RAKE WHEEL
2	16	57626	15 INCH 120# BLACK CABLE TIE

FIGURE 18

OPTIONAL LIGHTING



<u>ITEM</u>	<u>QTY.</u>	<u>PART #</u>	<u>DESCRIPTION</u>
1	1	60537	HARNESS, MAIN
2	8	HGV72	CUSHION WIRE CLAMP
3	2	DWM130	FLOODLIGHT - WORKING LIGHT
4	2	BFR675	RED LIGHT
5	2	DWM129	YELLOW HAZARD THIN LIGHT 2-WAY
6	1	S441	LIGHT MODULE
7	3	YSPP64005	MISC, PHILLIPS PAN HEAD TYPE, 10-32 X 1/2"
8	3	YNNY62005	8-32, HEX NYLON INSERT LOCKNUT
9	1	FR2	REAR RAKE HARNESS

H&S MFG. CO.

products approved

for the

FEMA

SEAL OF QUALITY

