



**2280**  
**MANURE SPREADER**  
**PARTS BOOK**

Part # 91277

HSMFG031121

Rev. #00

Starting Ser. #222PD80001

**STRONG HERITAGE - STRONG PEOPLE - STRONGER FUTURE**

# CONTENTS

Instruction For Ordering Parts - About Improvements .....	1
Figure 1 - Front Pole & Components .....	2-3
Figure 2 - Input Shaft Assembly .....	4-5
Figure 3 - Front Panel & Components .....	6-7
Figure 4 - Side Panels & Components .....	8-9
Figure 5 - Side Shaft & Components .....	10-11
Figure 6 - Gearbox Panels & Components .....	12-13
Figure 7 - Hub, Spindle & Components .....	14-15
Figure 8 - Floor & Components .....	16-17
Figure 9 - Drive Shafts & Components .....	18-19
Figure 10 - Beater & Components .....	20-21
Figure 11 - Gearbox .....	22-25
Figure 12 - PTO .....	26-27
Figure 13 - PTO .....	28-29
Figure 14 - Optional Pan. ....	30-31
Parts Notes .....	32

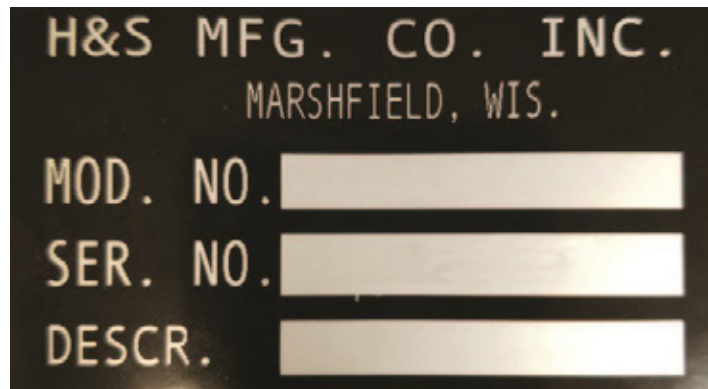
# **INSTRUCTIONS FOR ORDERING PARTS**

All service parts should be ordered through your authorized H&S dealer. He will be able to give you faster service if you will provide them with the following:

1. Model & Serial Number - Both can be located on the front Main Frame.
2. All references to left or right apply to the machine as viewed from the rear.
3. Parts should not be ordered from illustration only. Please order complete part number.
4. If your dealer has to order parts - give shipping instructions:

VIA truck - large pieces (please specify local truck lines)

VIA United Parcel Service (include full address)



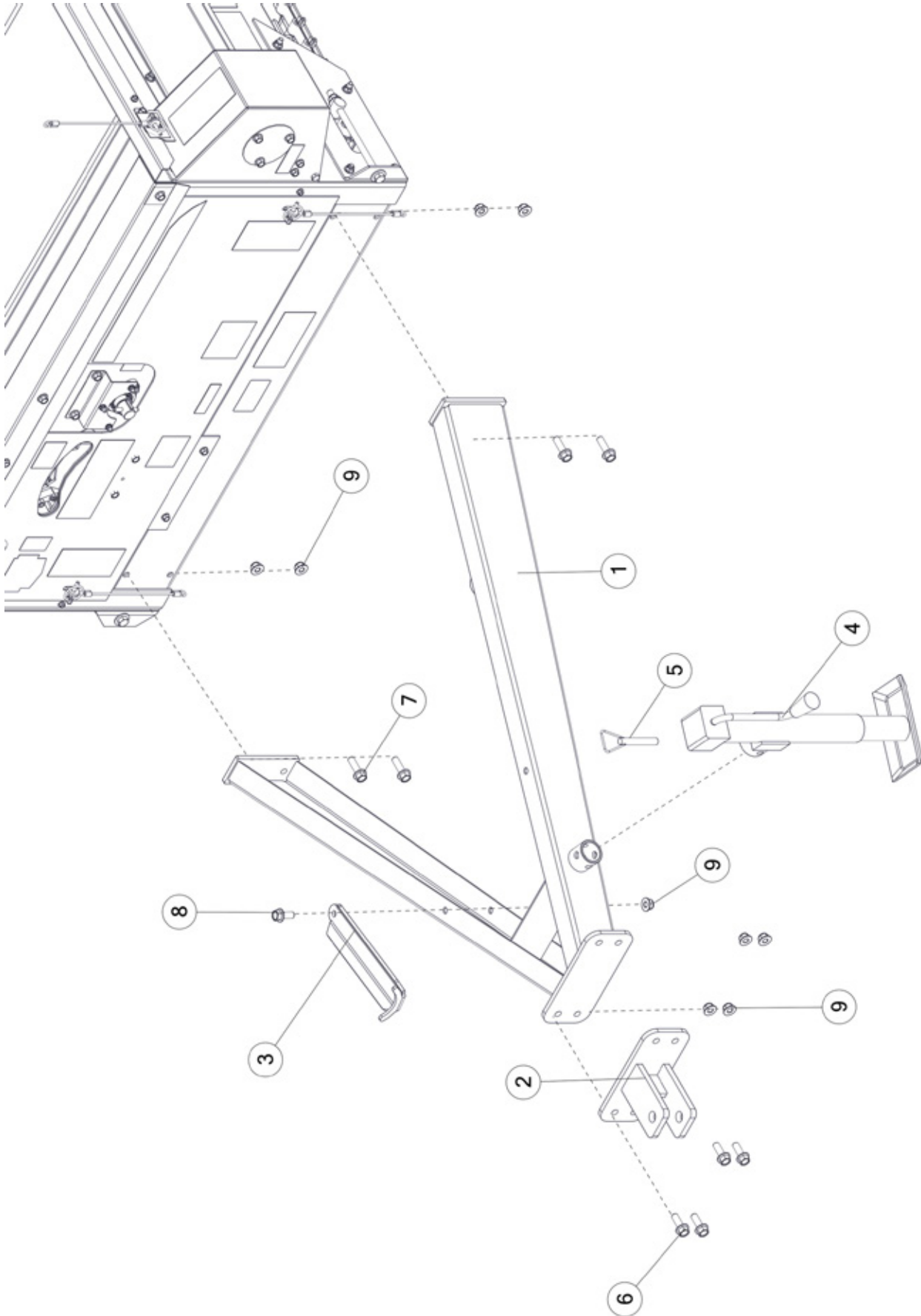
PLEASE RECORD NUMBERS FOR YOUR UNIT FOR QUICK REFERENCE

## **ABOUT IMPROVEMENTS**

H&S IS CONTINUALLY STRIVING TO IMPROVE ITS PRODUCTS

We must, therefore, reserve the right to make improvements or changes whenever it becomes practical to do so, without incurring any obligation to make changes or additions to the equipment previously sold.

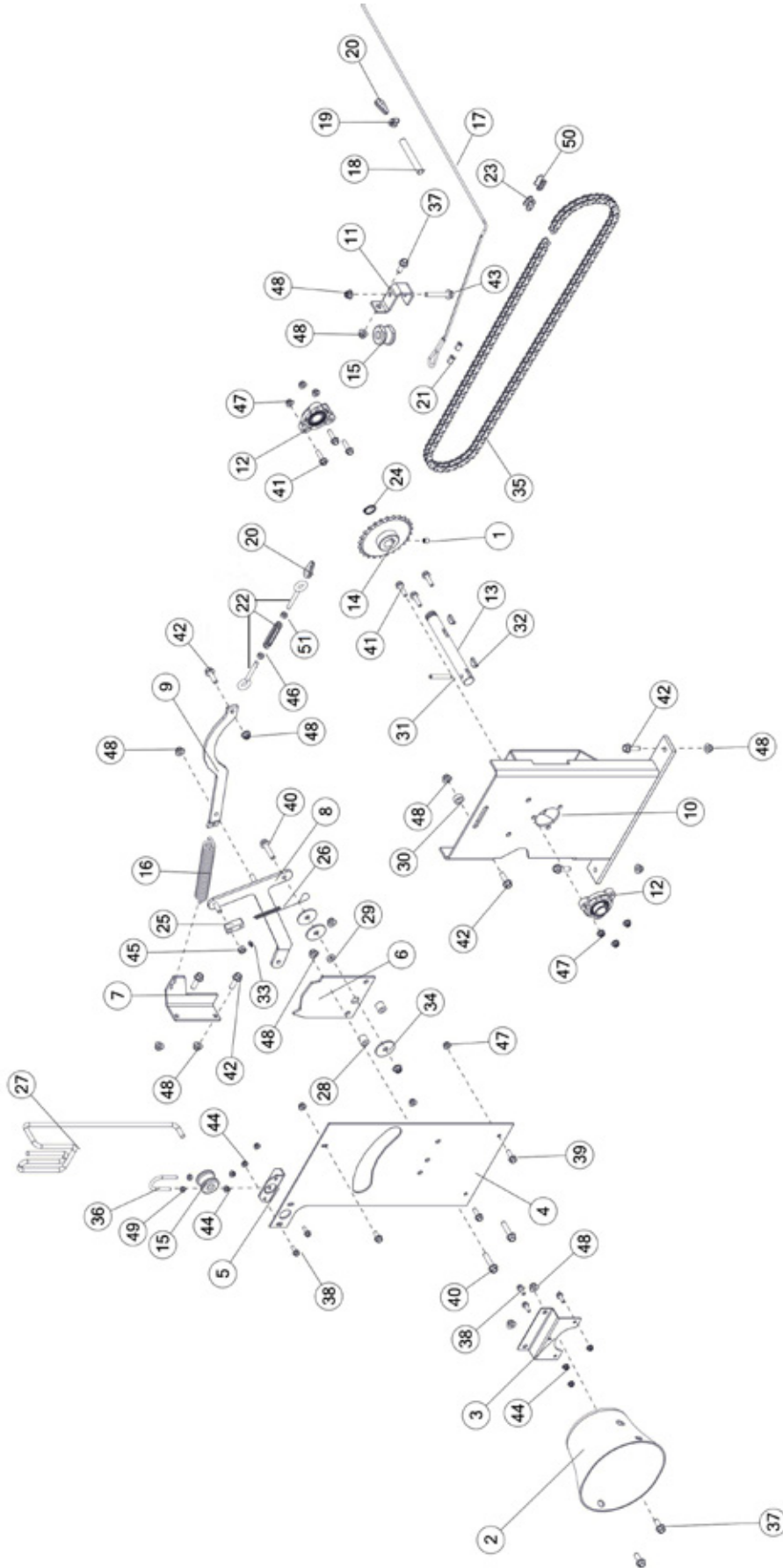
# **FIGURE 1** **FRONT POLE & COMPONENTS**



**FIGURE 1**  
**FRONT POLE & COMPONENTS**

<b><u>ITEM</u></b>	<b><u>QTY</u></b>	<b><u>PART#</u></b>	<b><u>DESCRIPTION</u></b>
1	1	91188B	POLE W/DECAL
2	1	91186	HITCH
3	1	42N2	PTO HOLDER
4	1	12N116	JACK, 2000# SIDE WIND
5	1	12N117	PIN, 0.56, 5.19, JACK
6	4	YBFB16150	BOLT FLANGE, 1/2 X 1-1/2 G5
7	4	YBFB16175	BOLT FLANGE, 1/2 X 1-3/4 G5
8	1	YBFB16125	BOLT FLANGE, 1/2 X 1-1/4 G5
9	9	YNFG16003	NUT FLANGE, 1/2 GF

# **FIGURE 2** **INPUT SHAFT ASSEMBLY**

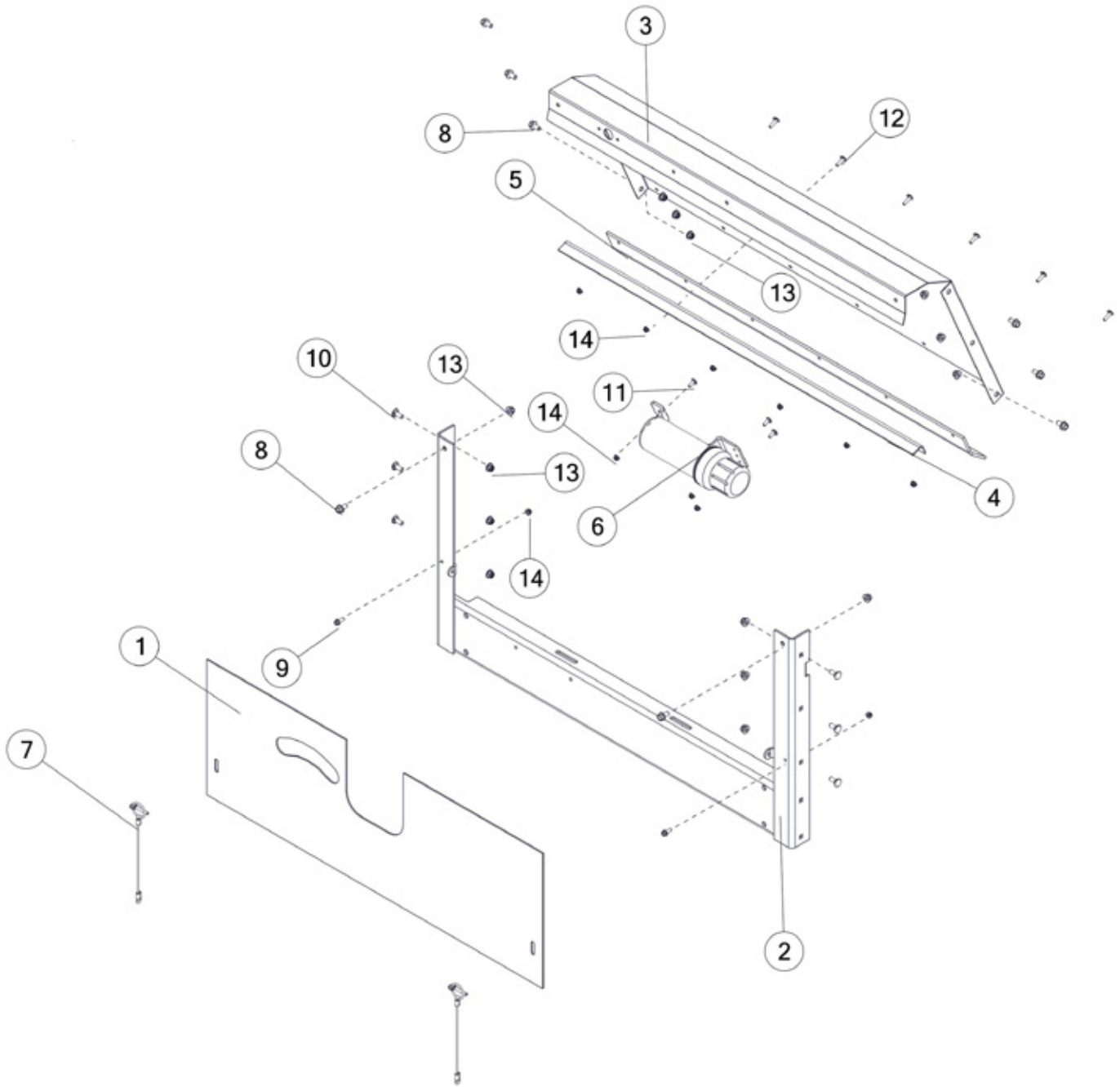


## FIGURE 2

### INPUT SHAFT ASSEMBLY

<u>ITEM</u>	<u>QTY</u>	<u>PART#</u>	<u>DESCRIPTION</u>
1	1	YSKP12010	SET SCREW, SOCKET, KNURLED CUP PT, 3/8-16 X 1/2
2	1	17G45	PLASTIC PTO SHIELD
3	1	91278	CENTER BEARING BRACKET
4	11	72001	BRKT, SHIFTING MECHANISM
5	1	71972	CABLE GUIDE BRKT, FRONT
6	1	23N283	STOP BRACKET
7	1	91205	SPRING STANDOFF
8	1	72015	WLDMT, LEVER, SHIFTER
9	1	71284	BRKT, PIVOT LINK
10	1	68993	FRONT FRAME POST
11	1	17G55	ROPE GUIDE BRACKET
12	2	80530	PILLOW BLOCK BEARING, 1
13	1	80N7	INPUT SHAFT
14	1	69783	SPKT, 50, B, 25, 1 SHAFT
15	2	F33	SIDE CABLE GUIDE
16	1	10R14	SPRG, COIL, 8-1/2, 25, TENS
17	1	70713	CABLE, .19 X 121, SHIFTER
18	1	72120	ELEC HARNESS, HEAT SHRINK, 4 X 1/2
19	1	BFR220	CLAMP, 3/16 CABLE
20	2	ES14	THIMBLE
21	2	71279	SLEEVE, .13 X .63
22	1	F84	TURNBUCKLE EYE BOLT
23	1	X60	OFFSET LINK
24	1	3G21	SNAP RING, 1 HEAVY DUTY
25	1	23N282	BRKT, 5/8, SHIFTERDOG
26	1	23N284	SPRG, EXT, COIL, 5.50 X 6.95, 1.20, SHIFTER DOG
27	1	23N183	ROPE, .38 X 144
28	2	ST81	EXTENSION SPACER, 11/16
29	1	23N297	TUBE, RND, STR, .75 X .19 X .21, DOM
30	1	80N11	FRONT POST SPACER
31	1	YPEX10020	EXPANSION PIN, 5/16 X 2-1/4
32	2	5B10	WDF KEY, 1/4 X 1
33	1	G89	STRAIGHT ZERK, 1/4-28
34	3	YWCU12005	WASHER CUST, FLAT, .435 ID. X 1-7/8 OD. X .125 THICK ZC
35	1	70200	CHAIN, ROLL, 50 X 119
36	1	YBPU08005	PIPE U BOLT, 1/4 X 3/4
37	2	YBFB12003	BOLT FLANGE, 3/8 X 1 G5
38	5	YBFB08075	BOLT FLANGE, 1/4 X 3/4 G5
39	3	YBFB10001	BOLT FLANGE, 5/16 X 1 G5
40	3	YBFB12175	BOLT FLANGE, 3/8 X 1-3/4 G5
41	6	YBFB10125	BOLT FLANGE, 5/16 X 1-1/4 G5
42	6	YBFB12125	BOLT FLANGE, 3/8 X 1-1/4 G5
43	1	YBFB12250	BOLT FLANGE, 3/8 X 2-1/2 G5
44	7	YNFG08010	NUT FLANGE, 1/4 GF
45	1	YNRL12005	NUT HEX, 3/8-16 LKRS A ZC
46	1	YNHX10010	NUT HEX, 5/16-18 NA G5 ZC RH THREAD
47	8	YNFG10005	NUT FLANGE, 5/16 GF
48	12	YNFG12006	NUT FLANGE, 3/8 GF
49	2	YNHX08007	NUT HEX, 1/4
50	1	X61	CONNECTOR LINK
51	1	YNHX10015	NUT HEX, 5/16-18 NA G5 ZC LH THREAD

**FIGURE 3**  
**FRONT PANEL & COMPONENTS**



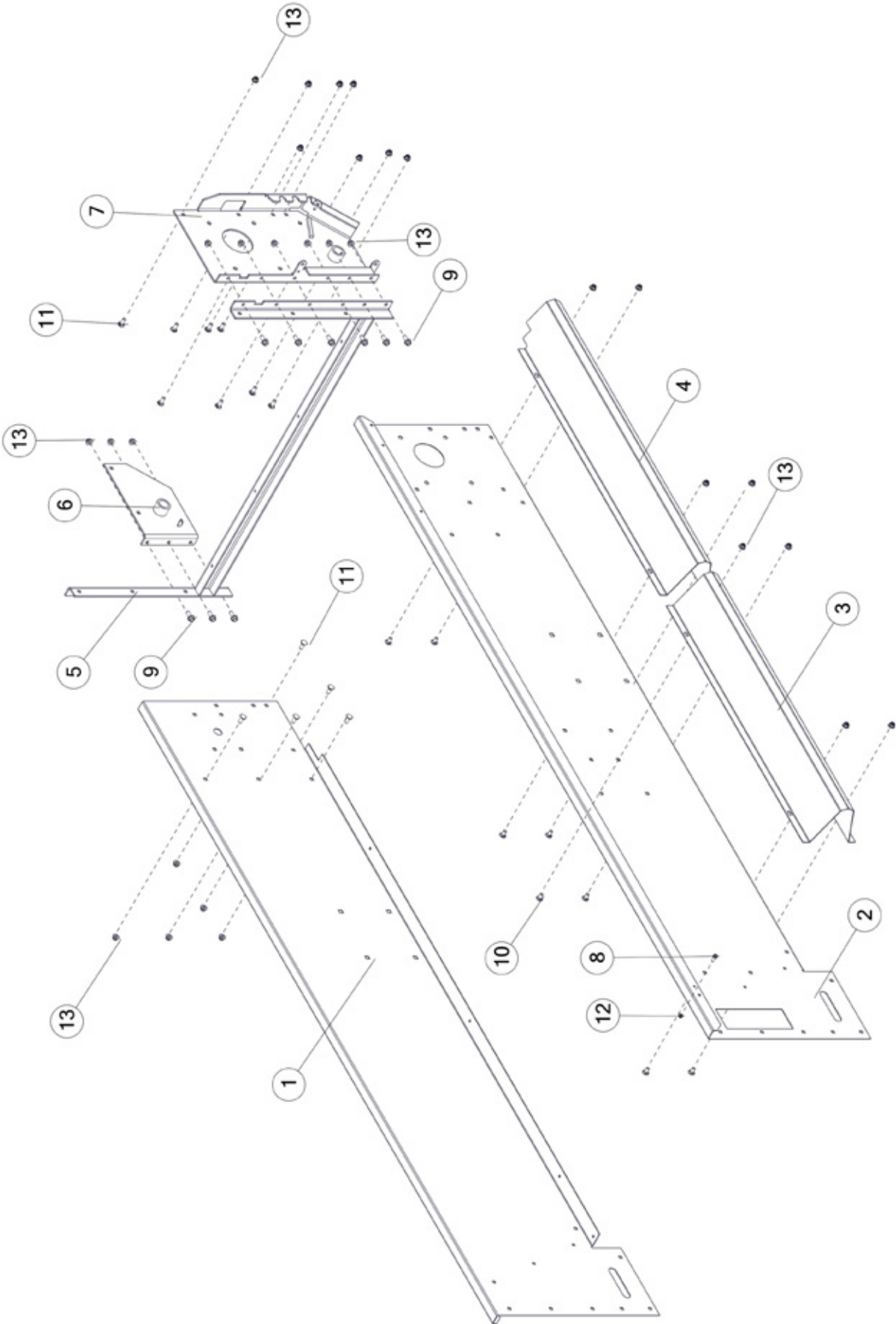


## FIGURE 3

### FRONT PANEL & COMPONENTS

<u>ITEM</u>	<u>QTY</u>	<u>PART#</u>	<u>DESCRIPTION</u>
1	1	71990B	PANEL, POLY, FRONT SHIELD W/DECALS
2	1	72002B	WLDMT, FRAME, FRONT POST W/DECALS
3	1	91220B	FRONT PANEL W/DECALS
4	1	80N66	FRONT RUBBER STRAP
5	1	12N69	FRONT RUBBER
6	1	S522	MANUAL HOLDER
7	2	S122	LANYARD, CLIP PIN CABLE
8	8	YBFB12075	BOLT FLANGE, 3/8 X 3/4 G5
9	2	YBFB08075	BOLT FLANGE, 1/4 X 3/4 G5
10	6	YBCR12010	BOLT CARRIAGE, 3/8-16 X 1 G5 ZC
11	3	YBCR08040	BOLT CARRIAGE, 1/4-20 X 3/4 G5 ZC
12	6	YBCR08005	BOLT CARRIAGE, 1/4-20 X 1 G5 ZC
13	14	YNFG12006	NUT FLANGE, 3/8 GF
14	11	YNFG08010	NUT FLANGE, 1/4 GF

**FIGURE 4**  
**SIDE PANELS & COMPONENTS**

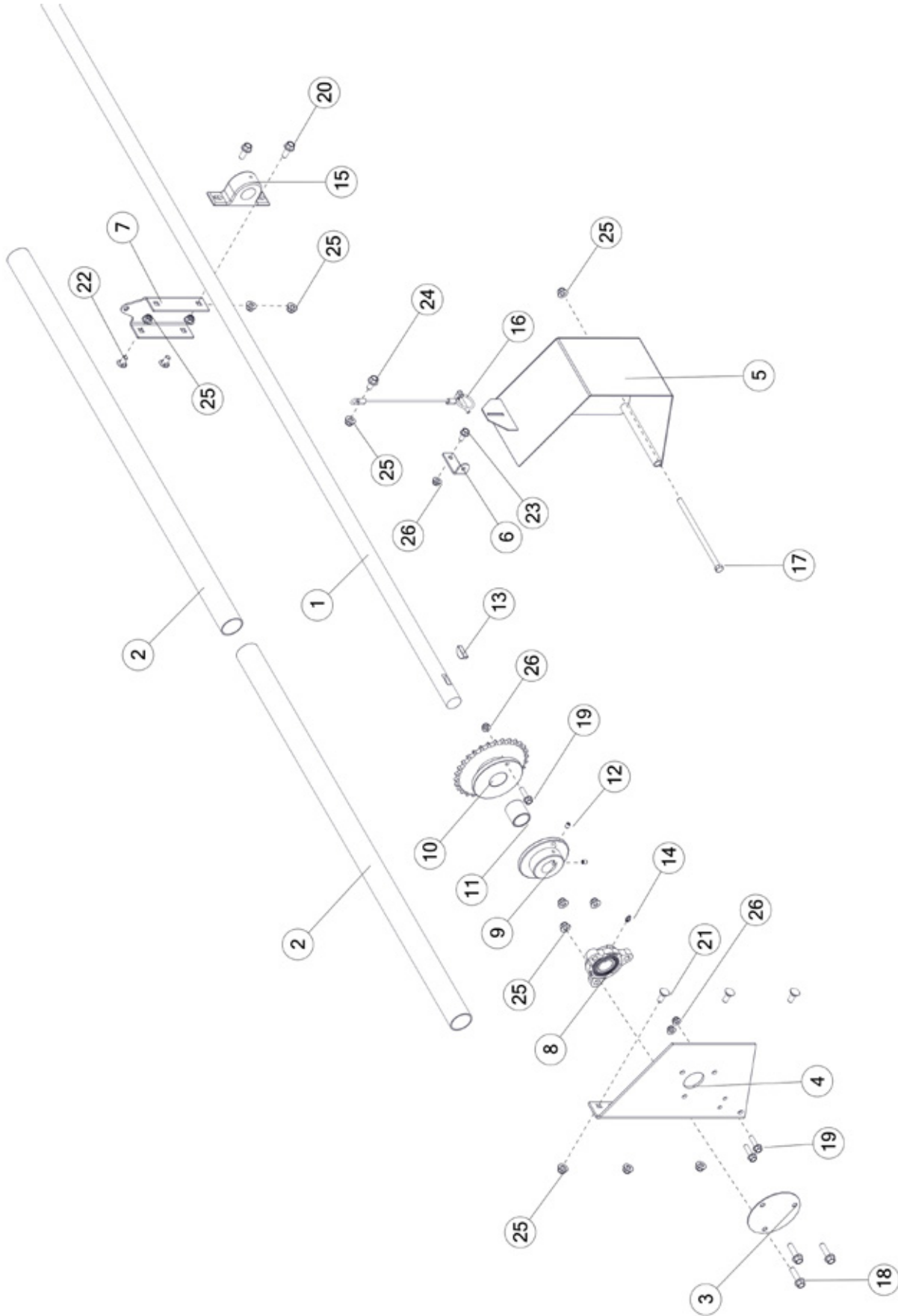


## FIGURE 4

### SIDE PANELS & COMPONENTS

<u>ITEM</u>	<u>QTY</u>	<u>PART#</u>	<u>DESCRIPTION</u>
1	1	91212B	SIDE PANEL, RH W/DECALS
2	1	91214B	SIDE PANEL, LH W/DECALS
3	1	91217B	SIDE SHAFT SHIELD, FRONT W/DECALS
4	1	91219B	SIDE SHAFT SHIELD, REAR W/DECALS
5	1	91221	REAR SUPPORT
6	1	91223	DRIVE SHAFT BRKT, RH
7	1	91235B	MAIN DRIVE BRKT, LH W/DECALS
8	1	YBFB08075	BOLT FLANGE, 1/4 X 3/4 G5
9	9	YBFB12003	BOLT FLANGE, 3/8 X 1 G5
10	8	YBCR12065	BOLT CARRIAGE, 3/8-16 X 3/4 G5 ZC
11	13	YBCR12010	BOLT CARRIAGE, 3/8-16 X 1 G5 ZC
12	1	YNFG08010	NUT FLANGE, 1/4 GF
13	30	YNFG12006	NUT FLANGE, 3/8 GF

# **FIGURE 5** **SIDE SHAFT & COMPONENTS**

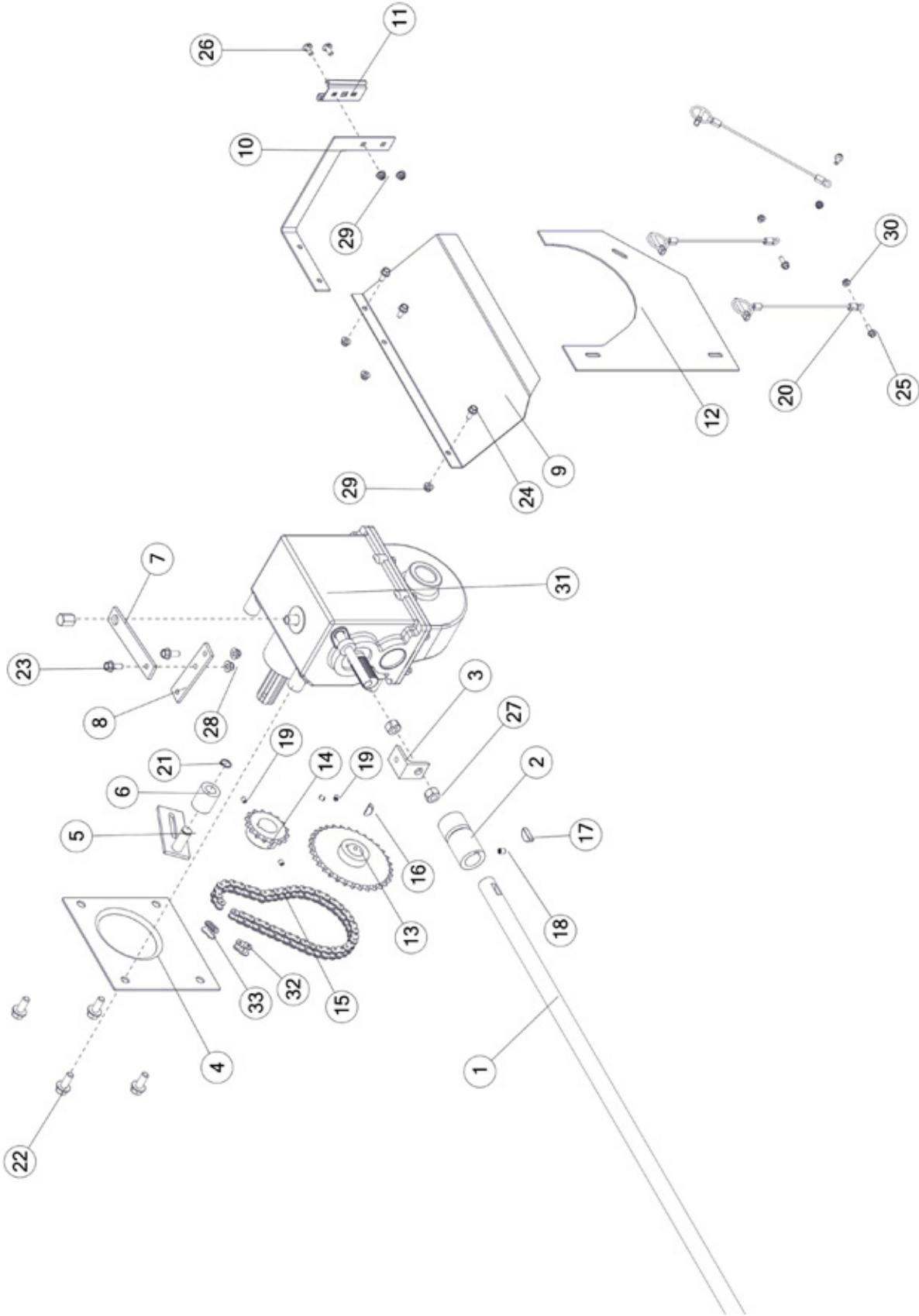


## FIGURE 5

### SIDE SHAFT & COMPONENTS

<u>ITEM</u>	<u>QTY</u>	<u>PART#</u>	<u>DESCRIPTION</u>
1	1	91268	SIDE SHAFT
2	2	91283	SHAFT GUARD
3	1	91267	SHAFT COVER
4	1	91266B	BEARING PLATE W/DECALS
5	1	91270B	FRONT SPROCKET SHIELD W/DECALS
6	1	91273	SHIELD ANGLE
7	1	70130	BEARING BRKT
8	1	80662	BEARING, 1-1/4
9	1	91265	SHEAR HUB
10	1	91262	SINGLE SPROCKET, 30
11	1	G16	BUSHING, BRONZE
12	2	YSKP10010	SET SCREW, SOCKET, KNURLED CUP PT, 5/16 - 18 X 3/8
13	1	5B9	WDF KEY, 3/8 X 1-1/4
14	1	G89	ZERK, 1/4-28 STRAIGHT
15	1	12N36	BRG, PILLOW BLOCK 1-1/4
16	1	S122	LANYARD, CLIP PIN CABLE
17	1	YBHH12246	BOLT HEX, 3/8 X 7.50 GR 5 (ZINC)
18	3	YBFB12150	BOLT FLANGE, 3/8 X 1-1/2 G5
19	3	YBFB10125	BOLT FLANGE, 5/16 X 1-1/4 G5
20	2	YBFB12003	BOLT FLANGE, 3/8 X 1 G5
21	3	YBCR12010	BOLT CARRIAGE, 3/8-16 X 1 G5 ZC
22	2	YBCR12065	BOLT CARRIAGE, 3/8-16 X 3/4 G5 ZC
23	1	YBFB10075	BOLT FLANGE, 5/16 X 3/4 G5
24	1	YBFB12075	BOLT FLANGE, 3/8 X 3/4 G5
25	12	YNFG12006	NUT FLANGE, 3/8 GF
26	4	YNFG10005	NUT FLANGE, 5/16 GF

**FIGURE 6**  
**GEARBOX PANELS & COMPONENTS**

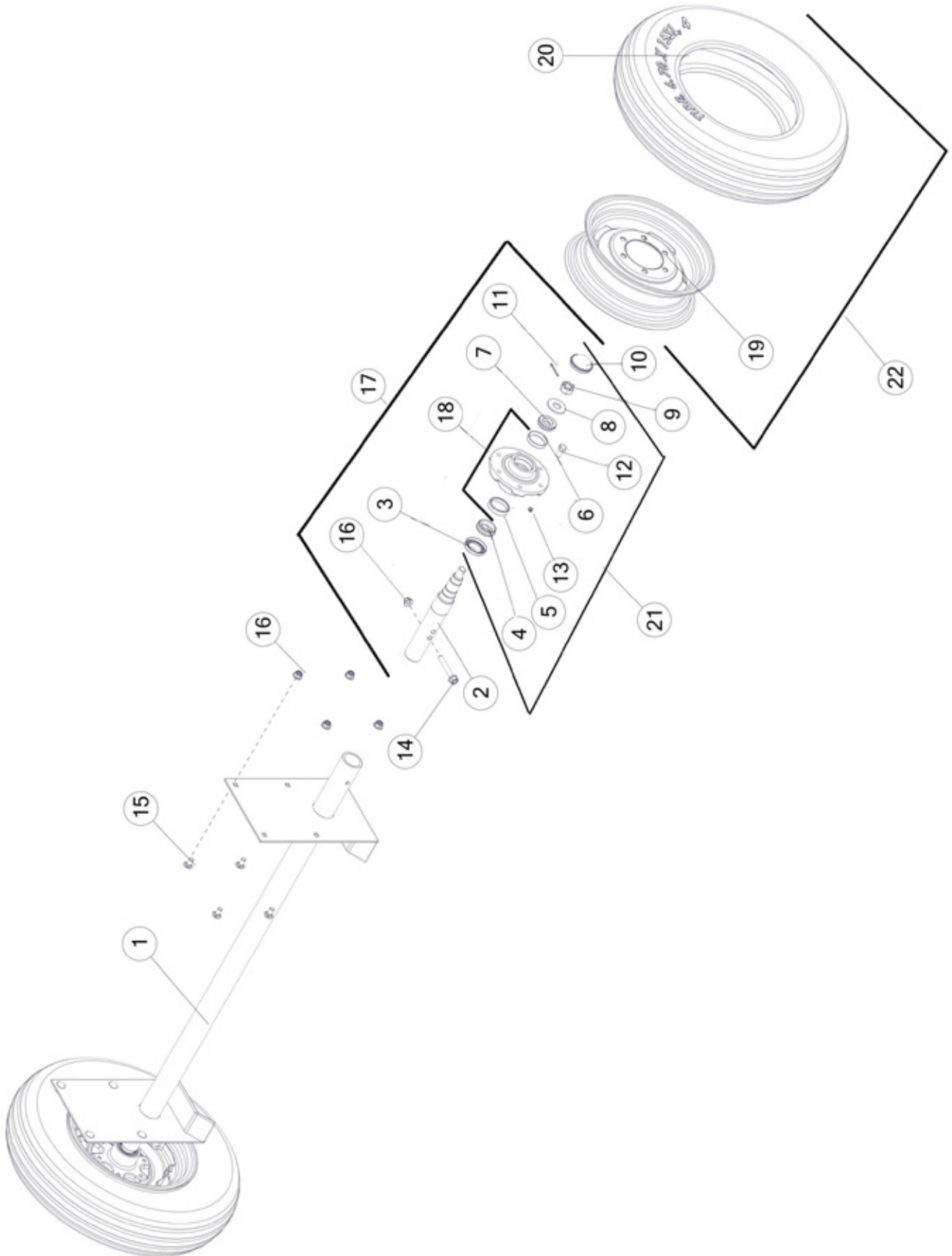


## FIGURE 6

### GEARBOX PANELS & COMPONENTS

<u>ITEM</u>	<u>QTY</u>	<u>PART#</u>	<u>DESCRIPTION</u>
1	1	91268	SIDE SHAFT
2	1	17G65	ASSY, COUPLER
3	1	23N291	BRKT, ROD, SHIFTER
4	1	69964	BEATER FLARE
5	1	L10R35	ASSY, TIGHTENER BRACKET
6	1	23N238	CHAIN TIGHTENER ROLLER
7	1	23N289	SHIFTER ROD LEVER FULCRUM
8	1	23N290	BRKT, SHIFTER ROD
9	1	91218B	GEARBOX SHIELD W/DECALS
10	1	70192	BRKT, SMV
11	1	F97	SMV BRACKET
12	1	72078B	CHAIN SHIELD, POLY, 14.7 X 14.4 X .13 W/DECALS
13	1	69791	SPKT, 50, B, 32, 1.25 SHAFT
14	1	69786	SPKT, 50, B, 16, 1.50 SHAFT
15	1	70193	CHAIN, ROLL, 50 X 45
16	1	G12	WDF KEY, 5/16 X 1
17	1	5B9	WDF KEY, 3/8 X 1-1/4
18	1	YSKP12010	SET SCREW, SOCKET, KNURLED CUP PT, 3/8-16 X 1/2
19	4	YSKP10010	SET SCREW, SOCKET, KNURLED CUP PT, 5/16 - 18 X 3/8
20	3	S122	LANYARD, CLIP PIN CABLE
21	1	10R32	SNAP RING, EXTERNAL, .7
22	4	YBFB16125	BOLT FLANGE, 1/2 X 1-1/4 G5
23	2	YBFB12003	BOLT FLANGE, 3/8 X 1 G5
24	3	YBFB10075	BOLT FLANGE, 5/16 X 3/4 G5
25	3	YBFB08075	BOLT FLANGE, 1/4 X 3/4 G5
26	2	YBCR10030	BOLT CARRIAGE, 5/16-18 X 3/4 G5 ZC
27	2	YNHX20005	NUT HEX, 5/8-11 NA A ZC
28	2	YNFG12006	NUT FLANGE, 3/8 GF
29	5	YNFG10005	NUT FLANGE, 5/16 GF
30	3	YNFG08010	NUT FLANGE, 1/4 GF
31	1	17G142	GEARBOX
32	1	X60	OFFSET LINK, #50
33	1	X61	CONNECTOR LINK, #50

# **FIGURE 7** **HUB, SPINDLE & COMPONENTS**



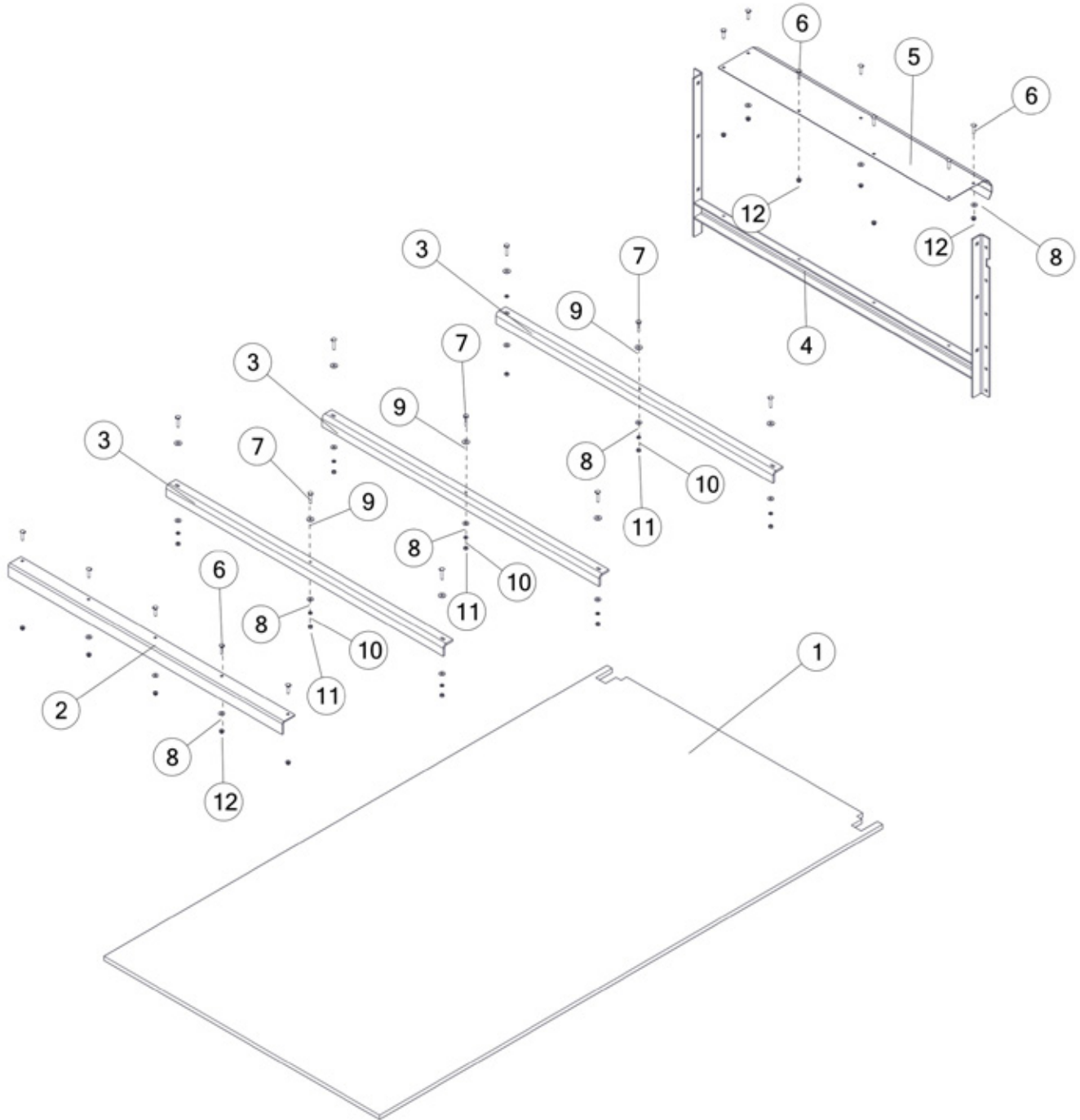


## FIGURE 7

### HUB, SPINDLE & COMPONENTS

<u>ITEM</u>	<u>QTY</u>	<u>PART#</u>	<u>DESCRIPTION</u>
1	1	80N54	WLDMT, AXLE
2	2	12N16	SPINDLE
3	2	12N17	SEAL
4	2	12N18	INNER BEARING
5	2	12N19	HUB 888, INNER RACE, 2.48OD
6	2	17G146	OUTER RACE
7	2	17G145	OUTER BEARING
8	2	YWFL28005	WASHER FLAT, 7/8 USS ZINC
9	2	YNSL28005	NUT SLOT, 7/8-14 NA G2 NF
10	2	17G144	HUB CAP
11	2	YPCT05010	COTTER PIN 5/32 X 1-1/2
12	12	YBWL16005	BOLT WHEEL, 1/2-20 X 1 G5 ZC
13	2	BFR28	GREASE ZERK, 1/8 NPT
14	2	YBFB16350	BOLT FLANGE, 1/2 X 3-1/2 G5
15	8	YBCR16005	BOLT CARRIAGE, 1/2-13 X 1 G5 ZC
16	10	YNFG16003	NUT FLANGE, 1/2 GF
17	2	86815	HUB & SPINDLE
18	2	12N20	HUB WITH RACES
19	2	71174SR	WHEEL, 15 X 5, 6 BOLT, SILVER
20	2	80N93	TIRE, 6.70 X 15SL, 4
21	2	12N79	COMPLETE HUB ASSEMBLY
22	2	71195SR	ASSEMBLY, TIRE AND WHEEL

# **FIGURE 8** **FLOOR & COMPONENTS**

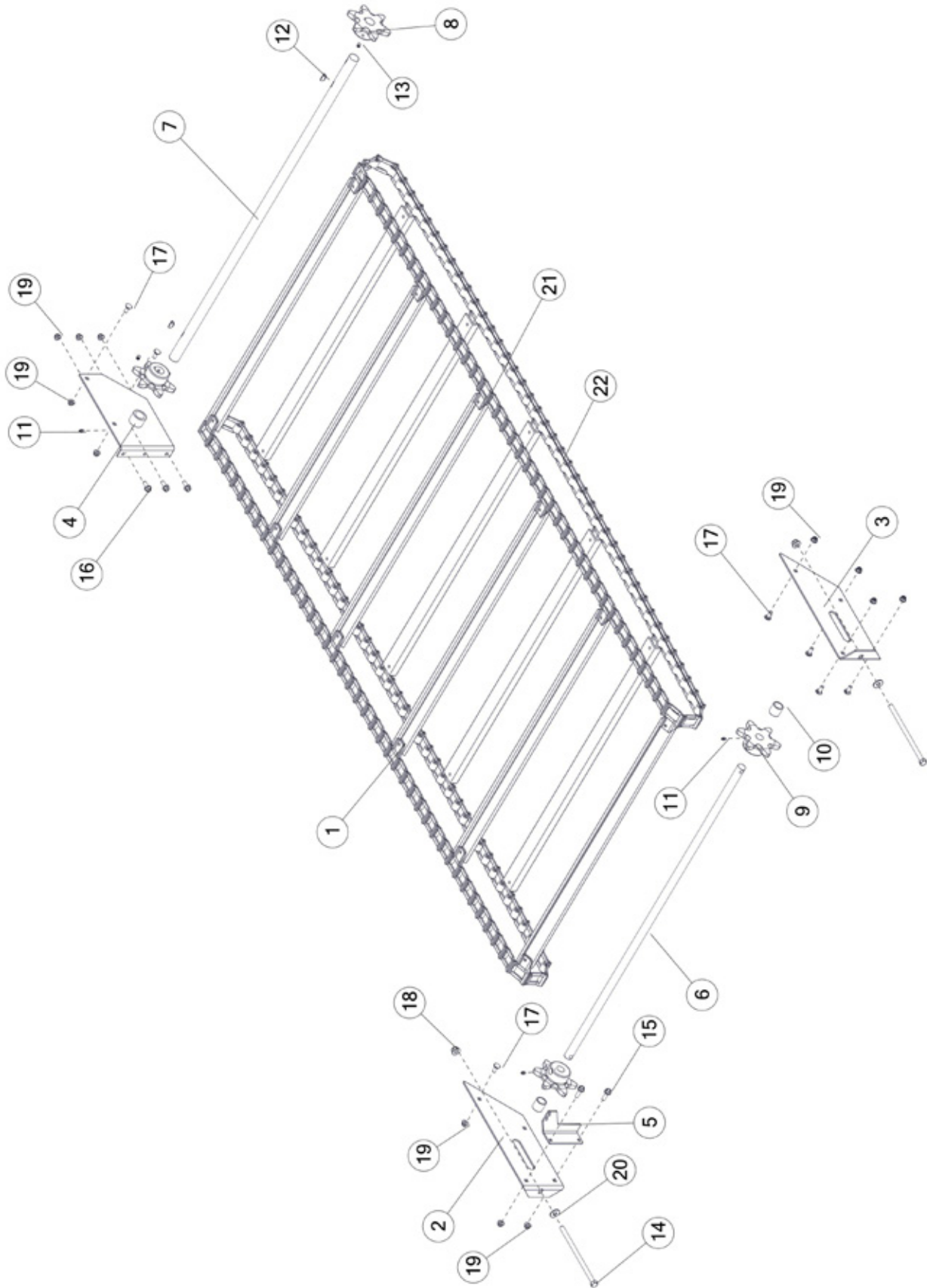


## FIGURE 8

### FLOOR & COMPONENTS

<u>ITEM</u>	<u>QTY</u>	<u>PART#</u>	<u>DESCRIPTION</u>
1	1	80G20	FLOOR
2	1	91248	FRONT FLOOR BRACE
3	3	80G5	BRKT, FLOOR CROSS PIECE
4	1	91221	REAR SUPPORT
5	1	91242	DRIVE SHAFT COVER
6	12	YBCR08015	BOLT CARRIAGE, 1/4-20 X 1-1/4 G5 ZC
7	9	YBCR08010	BOLT CARRIAGE, 1/4-20 X 1-1/2 G5 ZC
8	15	YWFL08005	WASHER FLAT, 1/4 USS
9	9	YWFL10005	WASHER FLAT, 5/16 USS
10	9	YWLO08005	WASHER LOCK, 1/4 ZINC
11	9	YNHX08007	NUT HEX, 1/4-20, NA G5 ZC
12	12	YNFG08010	NUT FLANGE, 1/4 GF

# **FIGURE 9** **DRIVE SHAFTS & COMPONENTS**

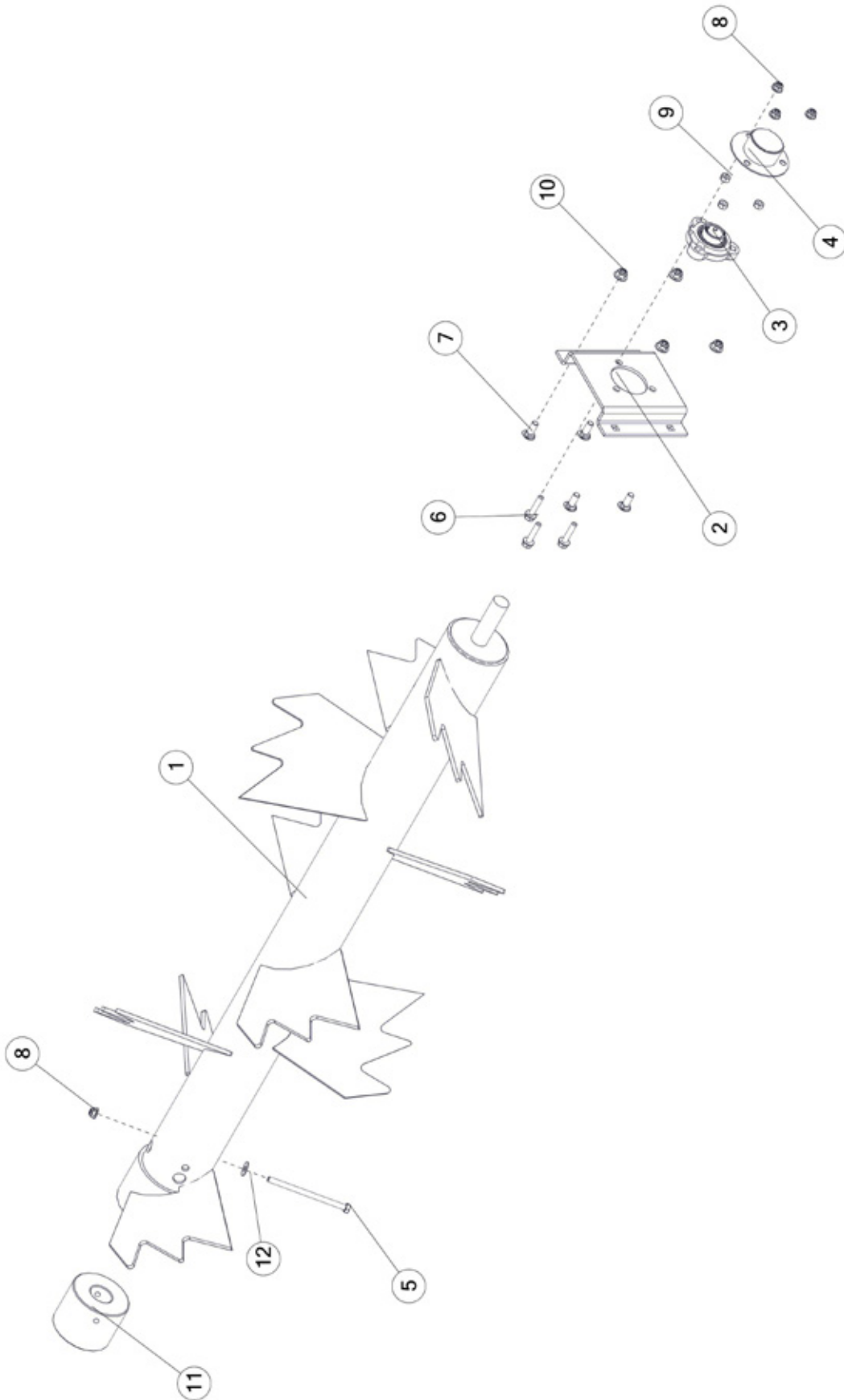


## FIGURE 9

### DRIVE SHAFTS & COMPONENTS

<u>ITEM</u>	<u>QTY</u>	<u>PART#</u>	<u>DESCRIPTION</u>
1	1	80G19	APRON CHAIN ASSY
2	1	91250	APRON CHAIN TIGHTENER, RH
3	1	91251	APRON CHAIN TIGHTENER, LH
4	1	91223	DRIVE SHAFT BRKT, RH
5	1	91205	SPRING STANDOFF
6	1	12N67	FRONT IDLER SHAFT
7	1	67844	APRON DRIVE SHAFT
8	2	80N63	APRON DRIVE SPROCKET, 6T
9	2	12N65	SPKT, IDLER, APRON, 6
10	2	12N66	IDLER SPACER
11	3	G89	STRAIGHT ZERK, 1/4-28
12	2	G12	WDF KEY, 5/16 X 1
13	2	YSKP12010	SET SCREW, SOCKET, KNURLED CUP PT, 3/8-16 X 1/2
14	2	YBHH16190	BOLT HEX, 1/2 X 9-1/2, 6-3/4 THREAD LENGTH
15	2	YBFB12125	BOLT FLANGE, 3/8 X 1-1/4 G5
16	3	YBFB12003	BOLT FLANGE, 3/8 X 1 G5
17	8	YBCR12010	BOLT CARRIAGE, 3/8-16 X 1 G5 ZC
18	2	YNFG16003	NUT FLANGE, 1/2 GF
19	13	YNFG12006	NUT FLANGE, 3/8 GF
20	2	YWFL16005	WASHER FLAT, 1/2 USS
21	11	80N62	ASSM, 67H SLAT W/ATT LINK
22	148	11S25	67H CONNECTOR LINK

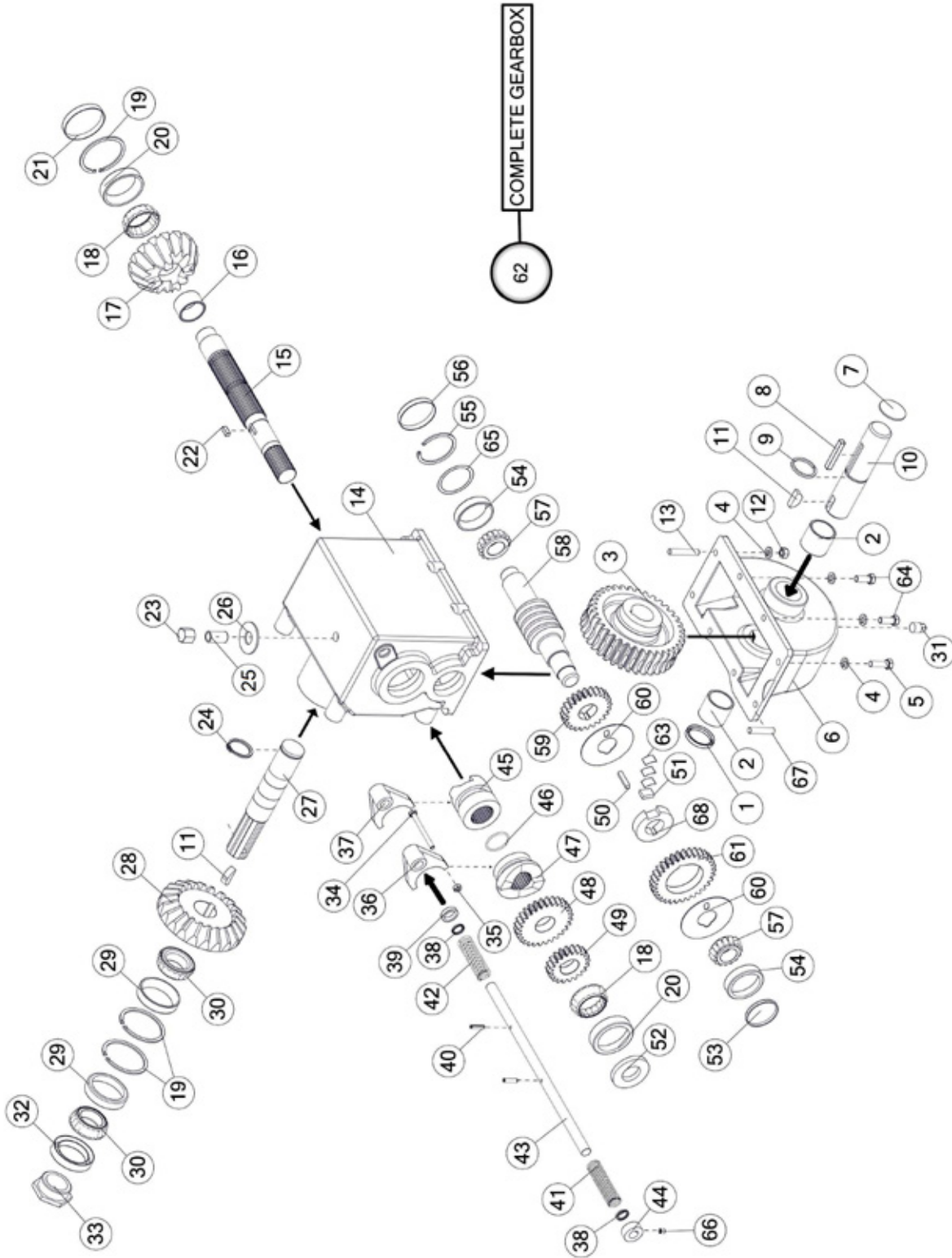
# **FIGURE 10** **BEATER & COMPONENTS**



**FIGURE 10**  
**BEATER & COMPONENTS**

<b><u>ITEM</u></b>	<b><u>QTY</u></b>	<b><u>PART#</u></b>	<b><u>DESCRIPTION</u></b>
1	1	71392	WLDMT, BEATER
2	1	80N52	BEATER BEARING MOUNT
3	1	80530	PILLOW BLOCK BEARING, 1
4	1	79112	BEARING SHAFT COVER
5	1	YBHH10130	BOLT HEX, 5/16 X 5 G5
6	3	YBFB10150	BOLT FLANGE, 5/16 X 1-1/2 G5
7	4	YBCR12010	BOLT CARRIAGE, 3/8-16 X 1 G5 ZC
8	4	YNFG10005	NUT FLANGE, 5/16 GF
9	3	YNHX10010	NUT HEX, 5/16-18, NA G5 ZC
10	4	YNFG12006	NUT FLANGE, 3/8 GF
11	1	69780	SPLINED BEATER PLUG
12	1	YWFL10005	WASHER FLAT, 5/16 USS

**FIGURE 11**  
**GEARBOX**

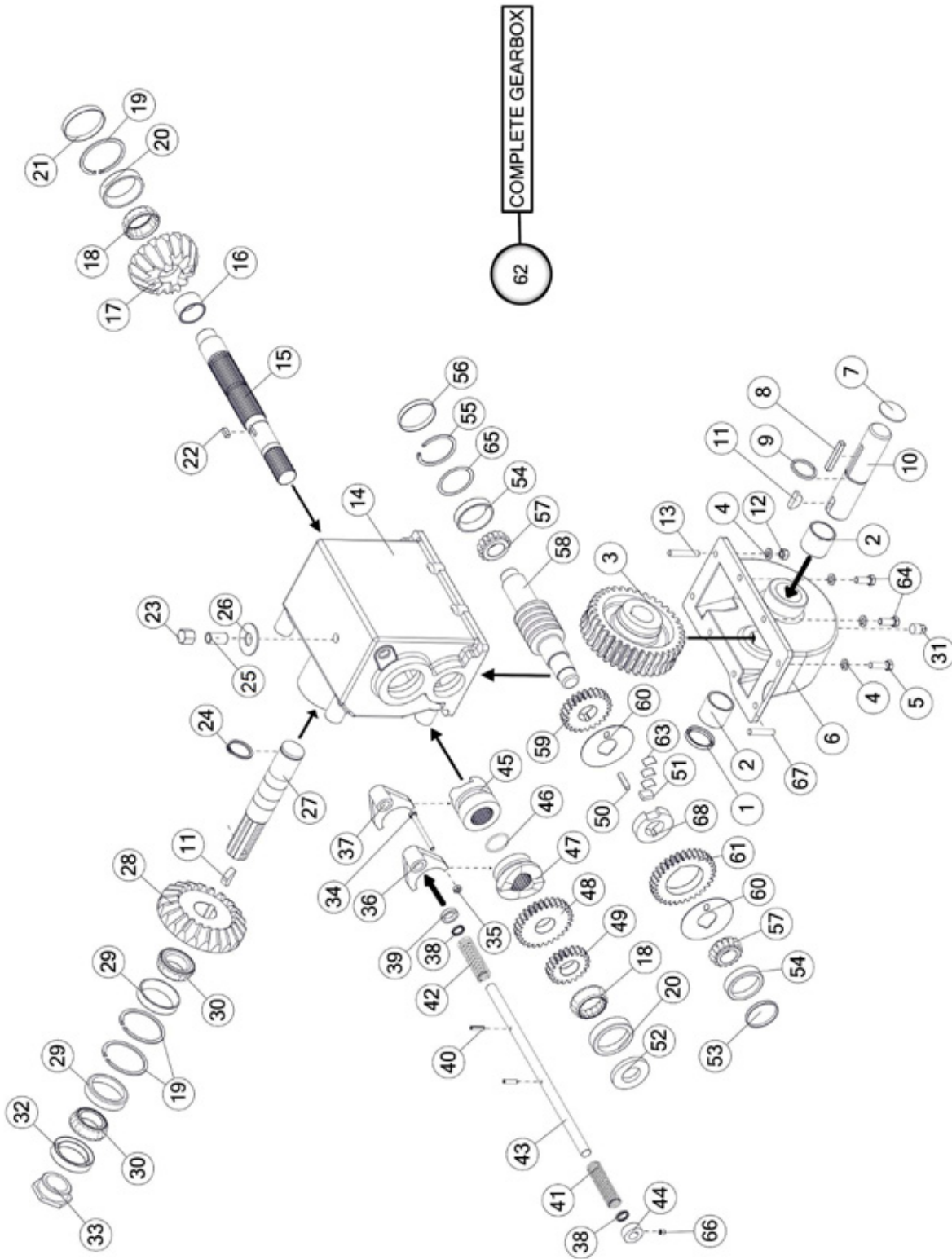




# FIGURE 11 GEARBOX

<u>ITEM</u>	<u>QTY</u>	<u>PART#</u>	<u>DESCRIPTION</u>
1	1	17G133	SEAL
2	2	17G134	BRONZE BUSHING
3	1	17G137	WORM GEAR 36T
4	8	YWLO12005	WASHER LOCK, 3/8
5	2	YBHH12035	BOLT HEX, 3/8 X 1-1/4 G5
6	1	17G107	LOWER GEARBOX HOUSING
7	1	17G139	CAP
8	1	17G132	SQUARE KEY
9	1	17G135	SNAP RING
10	1	17G136	OUTPUT SHAFT
11	2	5B9	WOODRUFF KEY
12	2	YNHX12005	NUT HEX, 3/8 G2
13	1	17G140	STUD
14	1	17G99	UPPER GEARBOX HOUSING
15	1	17G108A	INPUT SHAFT
16	1	17G111	BRONZE BUSHING
17	1	17G110	BEVEL GEAR 16T
18	2	G18	TAPER BEARING
19	3	G55	INTERNAL SNAP RING
20	2	18VB25	RACE
21	1	G68	CAP
22	1	17G116	SQUARE KEY
23	1	17G58	VENT CAP
24	1	12V62	HEAVY DUTY EXTERNAL SNAP RING
25	1	23N288	PIPE NIPPLE
26	1	YWFL24005	WASHER FLAT, 3/4
27	1	17G104	OUTPUT SHAFT
28	1	17G101	BEVEL GEAR 22T
29	2	17G102	RACE
30	2	17G103	TAPER BEARING
31	1	G65	PIPE PLUG, 3/8 NPT
32	1	17G105	SEAL
33	1	17G106	NUT HEX, 1-1/2
34	1	YBHH08090	BOLT HEX, 1/4 X 3 G2
35	1	YNHX08007	HEX NUT, 1/4 G5

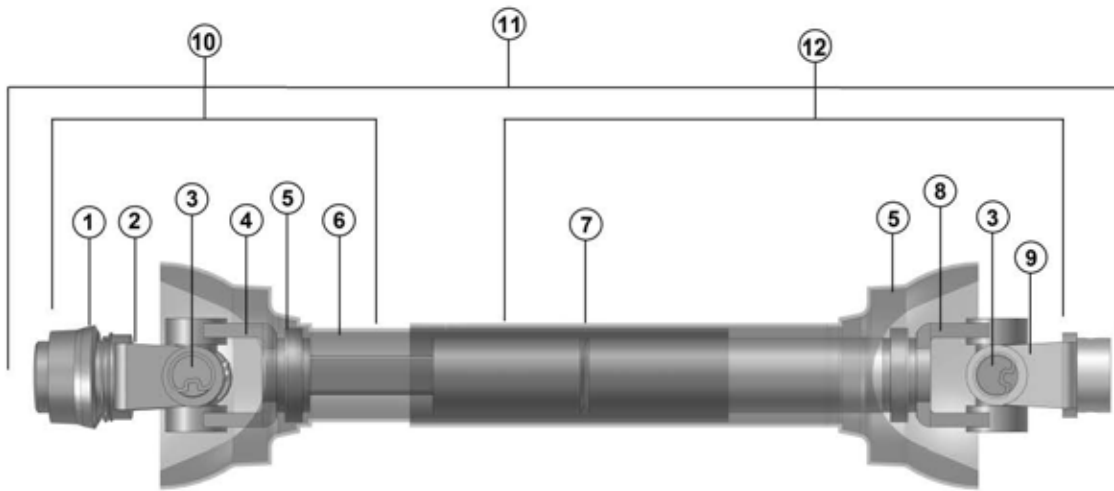
**FIGURE 11**  
**GEARBOX**



# FIGURE 11 GEARBOX

<u>ITEM</u>	<u>QTY</u>	<u>PART#</u>	<u>DESCRIPTION</u>
36	1	17G125	HIGH SPEED SHIFTER YOKE
37	1	17G129	BEATER SHIFTER YOKE
38	2	17G121	SEAL
39	1	17G122	TUBE
40	2	17G123	ROLL PIN
41	1	17G128	SPRING
42	1	17G130	SPRING
43	1	17G131	SHIFTER ROD
44	1	17G171	LOCK COLLAR, 1-1/4
45	1	17G109	BEATER CLUTCH
46	1	17G169A	SNAP RING
47	1	17G119	HIGH SPEED CLUTCH
48	1	17G118	GEAR 28T
49	1	17G115	LOW SPEED GEAR
50	1	S135	SQAURE KEY
51	1	17G124	CLUTCH DOG
52	1	S136	SEAL
53	1	17G100	CAP
54	2	3G18	RACE
55	1	3G19	INTERNAL SNAP RING
56	1	G90	CAP
57	2	L3G24	TAPER BEARING
58	1	17G120	SHAFT
59	1	17G117	HIGH SPEED GEAR
60	2	17G112	WASH FLAT
61	1	17G113	LOW SPEED GEAR
62	1	17G142	COMPLETE GEARBOX
63	3	17G126	DOG SPRING
64	4	YBHH12010	BOLT HEX, 3/8 X 1 G5
65	1	G92	STAINLESS SHIM
66	1	YSKP10015	SET SCREW
67	1	17G138	STUD
68	1	17G114	LOW SPEED CLUTCH

**FIGURE 12**  
**PTO**

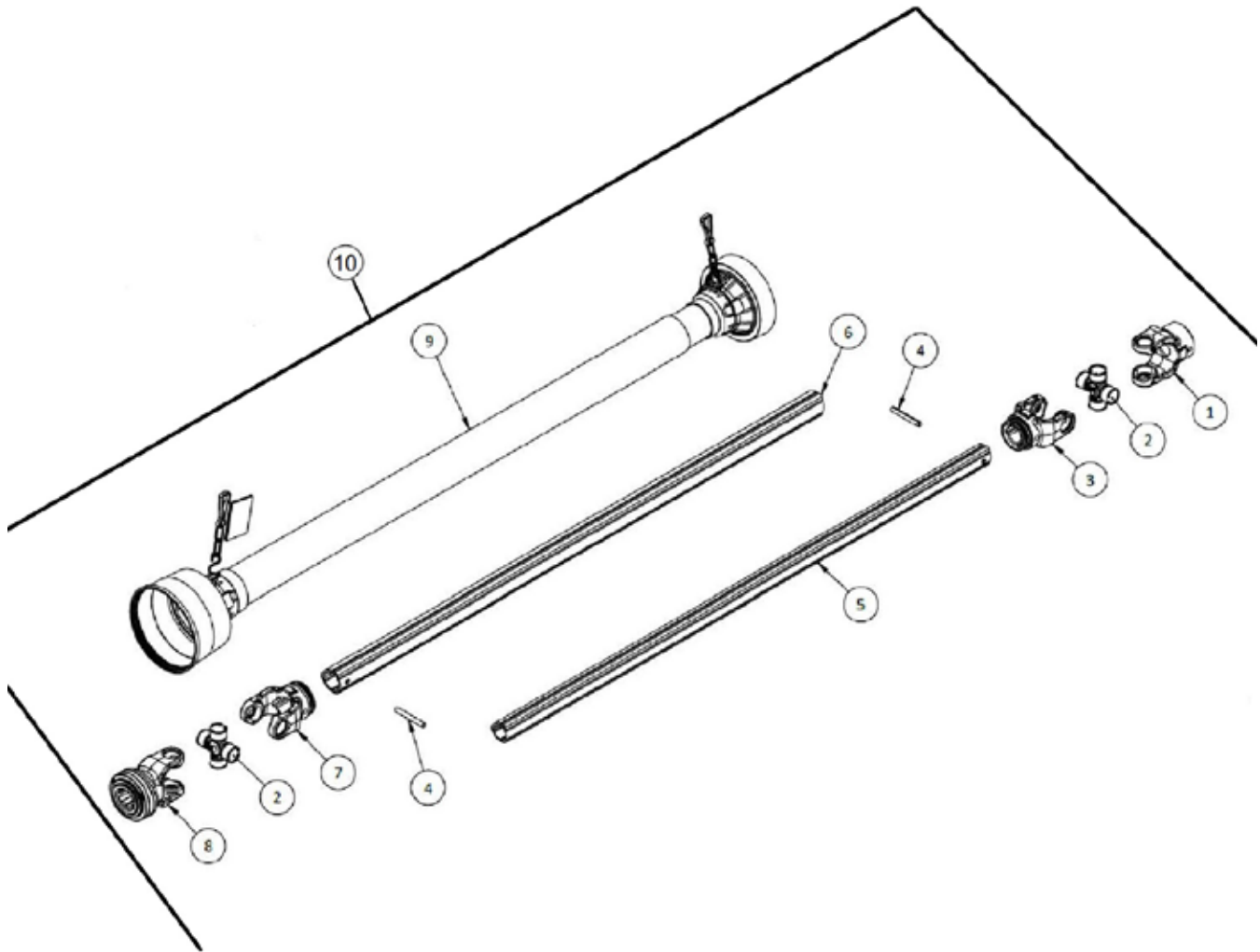


## FIGURE 12 PTO

<u>ITEM</u>	<u>QTY</u>	<u>PART#</u>	<u>DESCRIPTION</u>
1	1	S225	SPRING-LOK REPAIR KIT
2	1	S379	SPRING-LOK YOKE ASSEMBLY
3	2	T274	12P CROSS AND BEARING KIT
4	1	80N88	YOKE AND SHAFT
5	2	S206	GUARD REPAIR KIT (NOT SHOWN)
6	1	80N90	INNER GUARD
7	1	80N89	OUTER GUARD
8	1	80N91	YOKE AND TUBE
9	1	80N92	YOKE
10	1	80N84	JOINT & SHAFT HALF ASSEMBLY W/ GUARD
11	1	80N83	COMPLETE PTO ASSEMBLY
12	1	80N86	JOINT & TUBE HALF ASSEMBLY W/ GUARD
*	1	S402	PTO SAFETY MANUAL

**\*MEANS NOT SHOWN**

**FIGURE 13**  
**PTO BENZI**

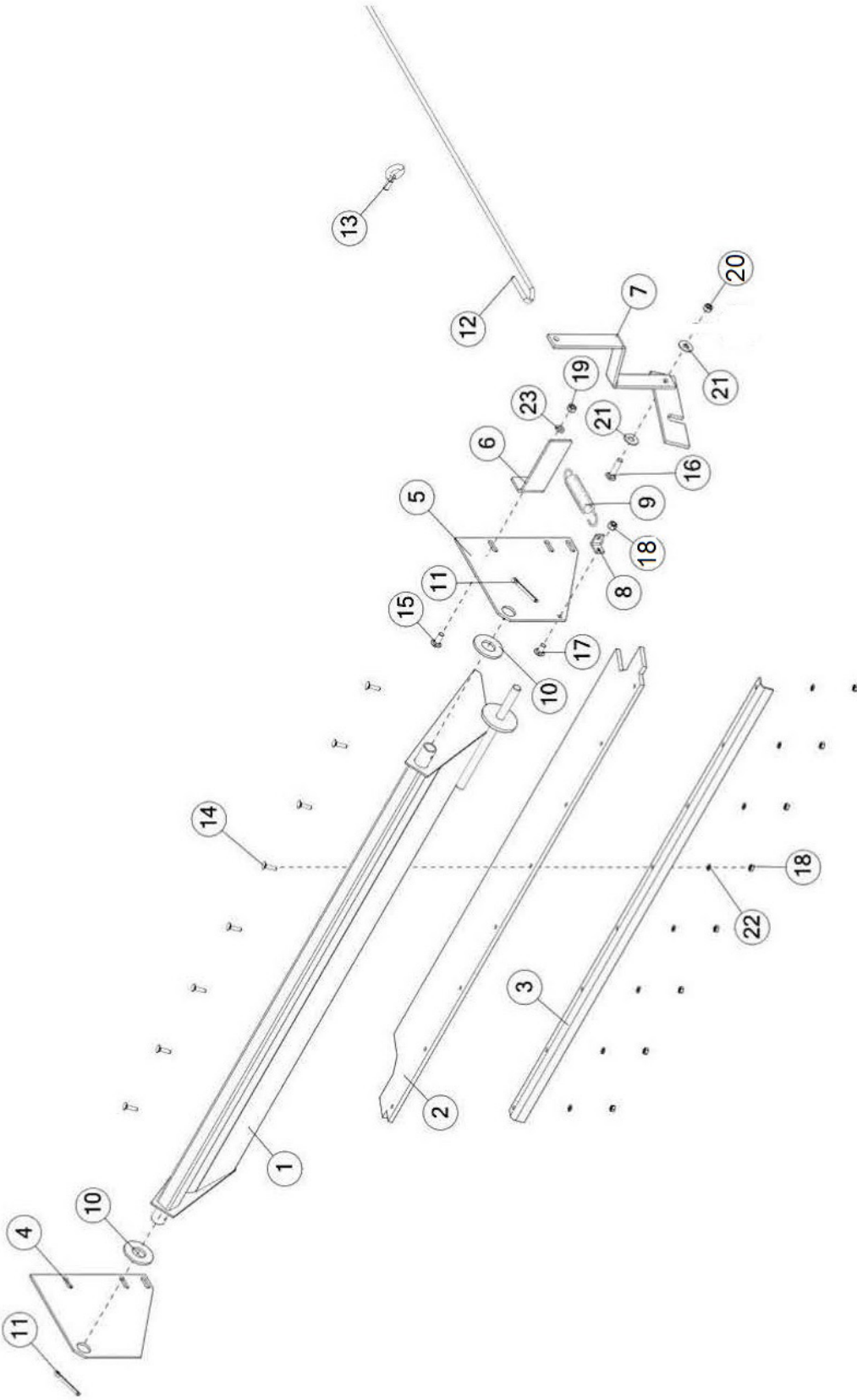


## **FIGURE 13** **PTO BENZI**

<b><u>ITEM</u></b>	<b><u>QTY</u></b>	<b><u>PART#</u></b>	<b><u>DESCRIPTION</u></b>
1	1	84679	YOKE
2	2	84672	U JOINT
3	1	84673	YOKE
4	2	YPEX10250	EXPANSION PIN, 5/16 X 2-1/2
5	1	84680	INNER TUBE
6	1	84681	OUTER TUBE
7	1	84676	YOKE
8	1	84677	YOKE
9	1	84682	GUARD KIT
10	1	80N83Z	COMPLETE PTO

**\*MEANS NOT SHOWN**

**FIGURE 14**  
**OPTIONAL PAN**





## FIGURE 14

### OPTIONAL PAN

<u>ITEM</u>	<u>QTY</u>	<u>PART#</u>	<u>DESCRIPTION</u>
1	1	80N1	PAN
2	1	12N53	PAN RUBBER
3	1	12N52	RUBBER FLAP ANGLE
4	1	80N2	PAN PLATE LH
5	1	80N3	PAN PLATE RH
6	1	80N82	PAN HANDLE STOP
7	1	5N67	PAN HANDLE
8	1	R26	SPRING ANGLE
9	1	R27	SPRING
10	2	R3	PAN SPACER
11	2	YPCT08007	COTTER PIN, 1/4 X 2
12	1	80N6	TRIP ROPE
13	2	YBTE12005	TURNED EYE BOLT, 3/8 X 1
14	8	YBCR08005	BOLT CARRIAGE, 1/4 X 1 G5
15	1	YBCR12010	BOLT CARRIAGE, 3/8 X 1 G5
16	1	YBCR12030	BOLT CARRIAGE, 3/8 X 1-3/4 G5
17	1	YBCR08040	BOLT CARRIAGE, 1/4 x 3/4
18	13	YNHX08005	NUT HEX, 1/4
19	2	YNHX12005	NUT HEX, 3/8 G2
20	1	YNTL12005	NUT HEX TOP LOCK, 3/8
21	2	YWFL14005	WASHER FLAT, 7/16
22	11	YWLO08005	WASHER LOCK, 1/4



# CHANGE NOTES

# **H&S MFG. CO.**

products approved

for the

## **FEMA**

# **SEAL OF QUALITY**



Manufactured by

**H&S MANUFACTURING CO., INC.**

2608 S. HUME AVE. MARSHFIELD, WI 54449

(715) 387-3414 | [hsmfgco.com](http://hsmfgco.com)

