



**S2280  
MANURE  
SPREADER  
PARTS BOOK**

Part # 91277

HSMFG101422

Rev. #03

Starting Ser. #322PD80001

**STRONG HERITAGE - STRONG PEOPLE - STRONGER FUTURE**



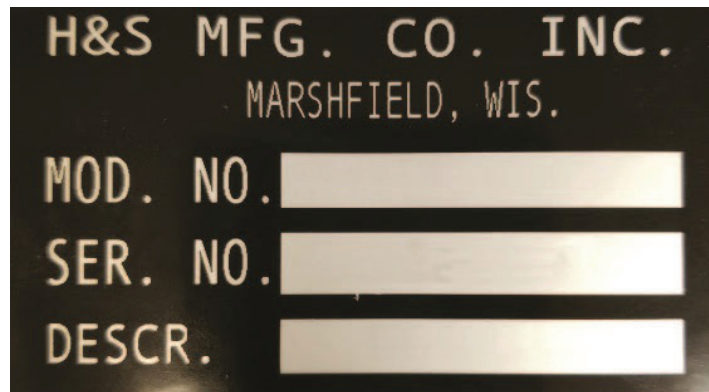
# INSTRUCTIONS FOR ORDERING PARTS

All service parts should be ordered through your authorized H&S dealer. They will be able to give you faster service if you will provide them with the following:

1. Model & Serial Number - Both can be located on the front Main Frame.
2. All references to left or right apply to the machine as viewed from the rear.
3. Parts should not be ordered from illustration only. Please order complete part number.
4. If your dealer has to order parts, give shipping instructions:

VIA truck - large pieces (please specify local truck lines)

VIA United Parcel Service (include full address)



PLEASE RECORD NUMBERS FOR YOUR UNIT FOR QUICK REFERENCE

## ABOUT IMPROVEMENTS

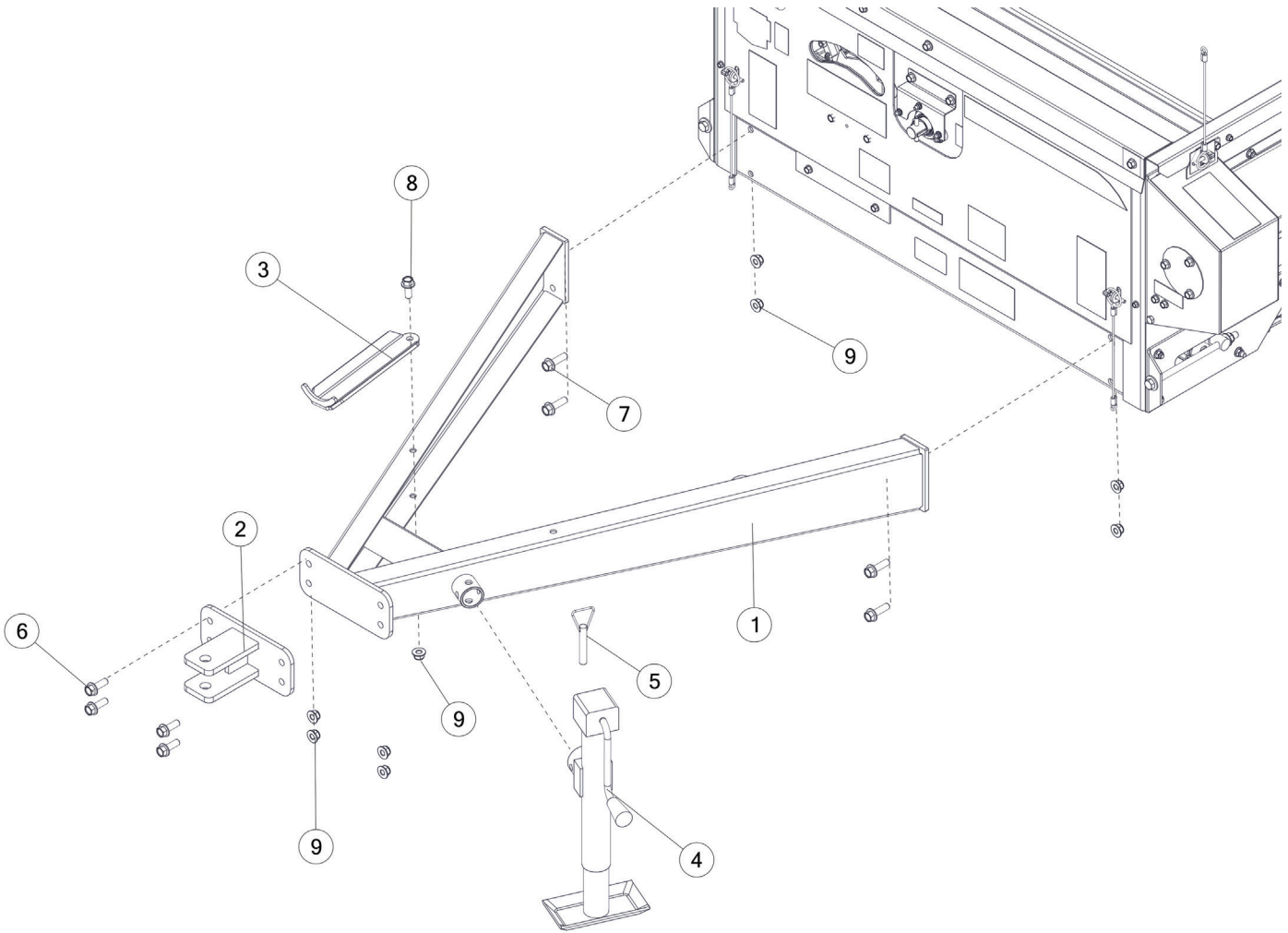
H&S IS CONTINUALLY STRIVING TO IMPROVE ITS PRODUCTS

We must, therefore, reserve the right to make improvements or changes whenever it becomes practical to do so, without incurring any obligation to make changes or additions to the equipment previously sold.





# FIGURE 1 FRONT POLE & COMPONENTS





# FIGURE 1

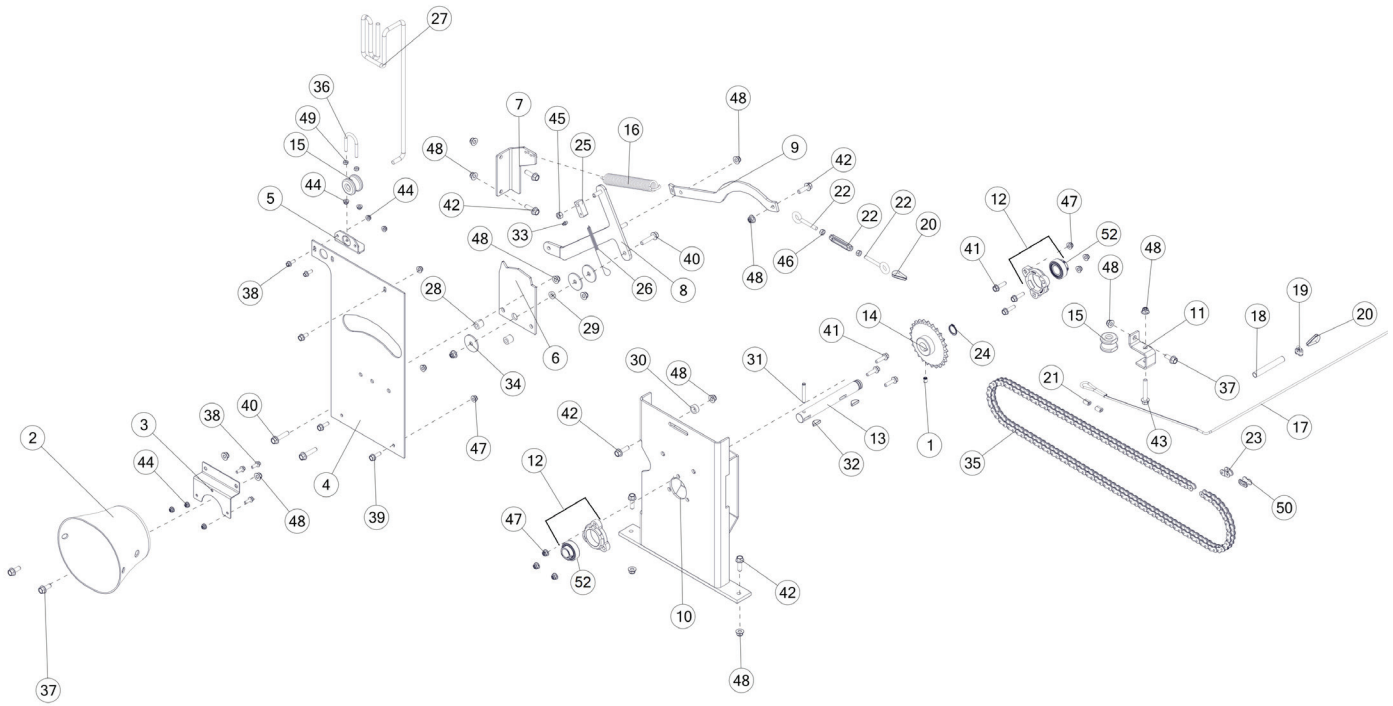
## FRONT POLE & COMPONENTS

REF #	PART #	DESCRIPTION	QTY
1	91188B	POLE W/DECALS	1
2	91186	HITCH	1
3	42N2	PTO HOLDER	1
4	12N116	SIDE WIND JACK, 2000#	1
5	12N117	JACK PIN	1
6	YBFB16150	BOLT FLANGE, 1/2 X 1-1/2 G5	4
7	YBFB16175	BOLT FLANGE, 1/2 X 1-3/4 G5	4
8	YBFB16125	BOLT FLANGE, 1/2 X 1-1/4 G5	1
9	YNFG16003	NUT FLANGE, 1/2 GF	9
*	SC10100	SAFETY CHAIN, 10,100 LB	1





# FIGURE 2 INPUT SHAFT ASSEMBLY

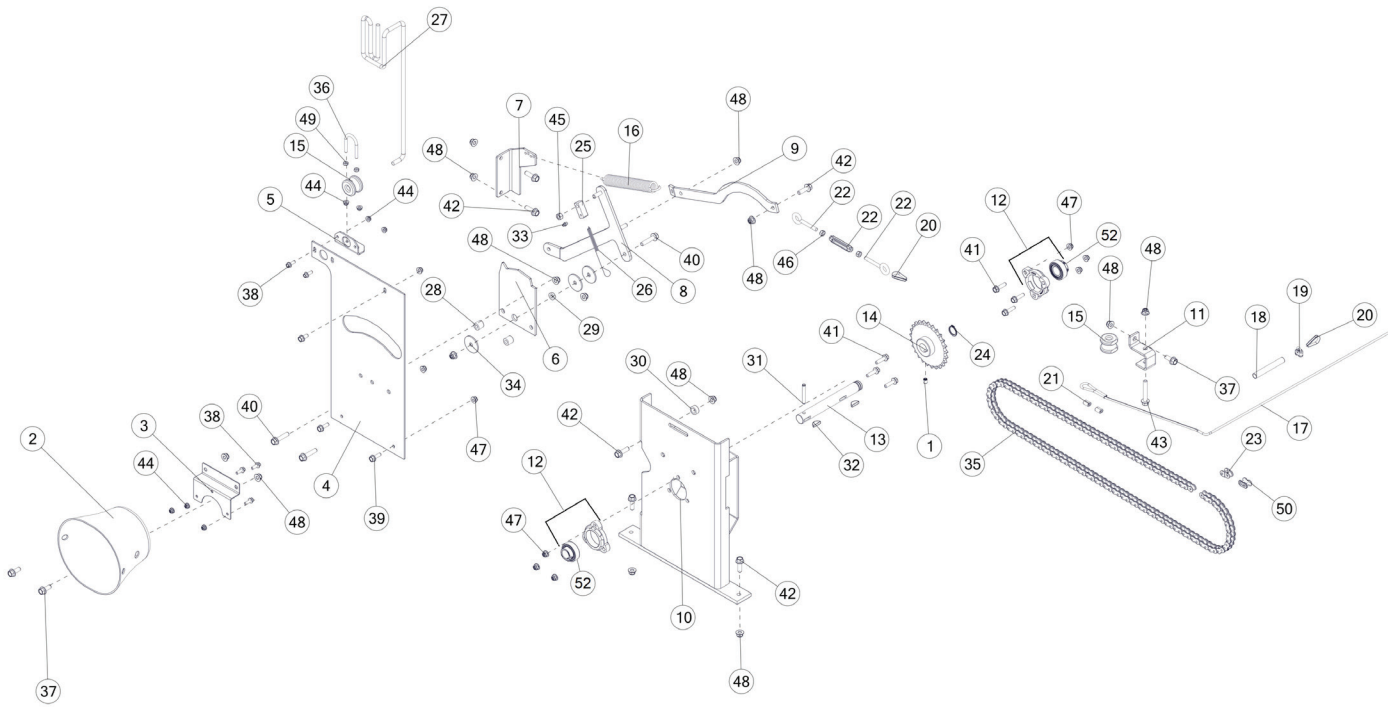


<b>REF #</b>	<b>PART #</b>	<b>DESCRIPTION</b>	<b>QTY</b>
1	YSKP12010	SET SCREW, SOCKET, KNURLED CUP PT, 3/8-16 X 1/2	1
2	17G45	PLASTIC PTO SHIELD	1
3	91278	CENTER BEARING BRACKET	1
4	72001	SHIFTING MECHANISM BRACKET	11
5	71972	CABLE GUIDE BRACKET, FRONT	1
6	23N283	STOP BRACKET	1
7	91205	SPRING STANDOFF	1
8	72015	LEVER, SHIFTER	1
9	71284	PIVOT LINK BRACKET	1
10	68993	FRONT FRAME POST	1
11	17G55	ROPE GUIDE BRACKET	1
12	80530	PILLOW BLOCK BEARING, 1	2
13	80N7	INPUT SHAFT	1
14	69783	SPROCKET, 50, B, 25, 1 SHAFT	1
15	F33	SIDE CABLE GUIDE	2
16	10R14	COIL SPRING, 8-1/2, 25, TENS	1
17	70713	SHIFTER CABLE, .19 X 121	1
18	72120	ELEC HARNESS, HEAT SHRINK, 4 X 1/2	1
19	BFR220	CABLE CLAMP, 3/16	1
20	ES14	THIMBLE	2
21	71279	SLEEVE, .13 X .63	2
22	F84	TURNBUCKLE EYE BOLT	1
23	X60	OFFSET LINK	1
24	3G21	SNAP RING, 1 HEAVY DUTY	1
25	23N282	SHIFTERDOG BRACKET, 5/8	1
26	23N284	SPRING, EXT, COIL, 5.50 X 6.95, 1.20, SHIFTER DOG	1
27	23N183	ROPE, .38 X 144	1
28	ST81	EXTENSION SPACER, 11/16	2
29	23N297	TUBE, RND, STR, .75 X .19 X .21, DOM	1
30	80N11	FRONT POST SPACER	1
31	YPEX10020	EXPANSION PIN, 5/16 X 2-1/4	1
32	5B10	WDF KEY, 1/4 X 1	2
33	G89	STRAIGHT ZERK, 1/4-28	1
34	YWCU12005	WASHER CUST, FLAT, .435 ID. X 1-7/8 OD. X .125 ZC	3
35	70200	CHAIN, ROLL, 50 X 119	1
36	YBPU08005	PIPE U BOLT, 1/4 X 3/4	1
37	YBFB12003	BOLT FLANGE, 3/8 X 1 G5	2
38	YBFB08075	BOLT FLANGE, 1/4 X 3/4 G5	5
39	YBFB10001	BOLT FLANGE, 5/16 X 1 G5	3





# FIGURE 2 INPUT SHAFT ASSEMBLY







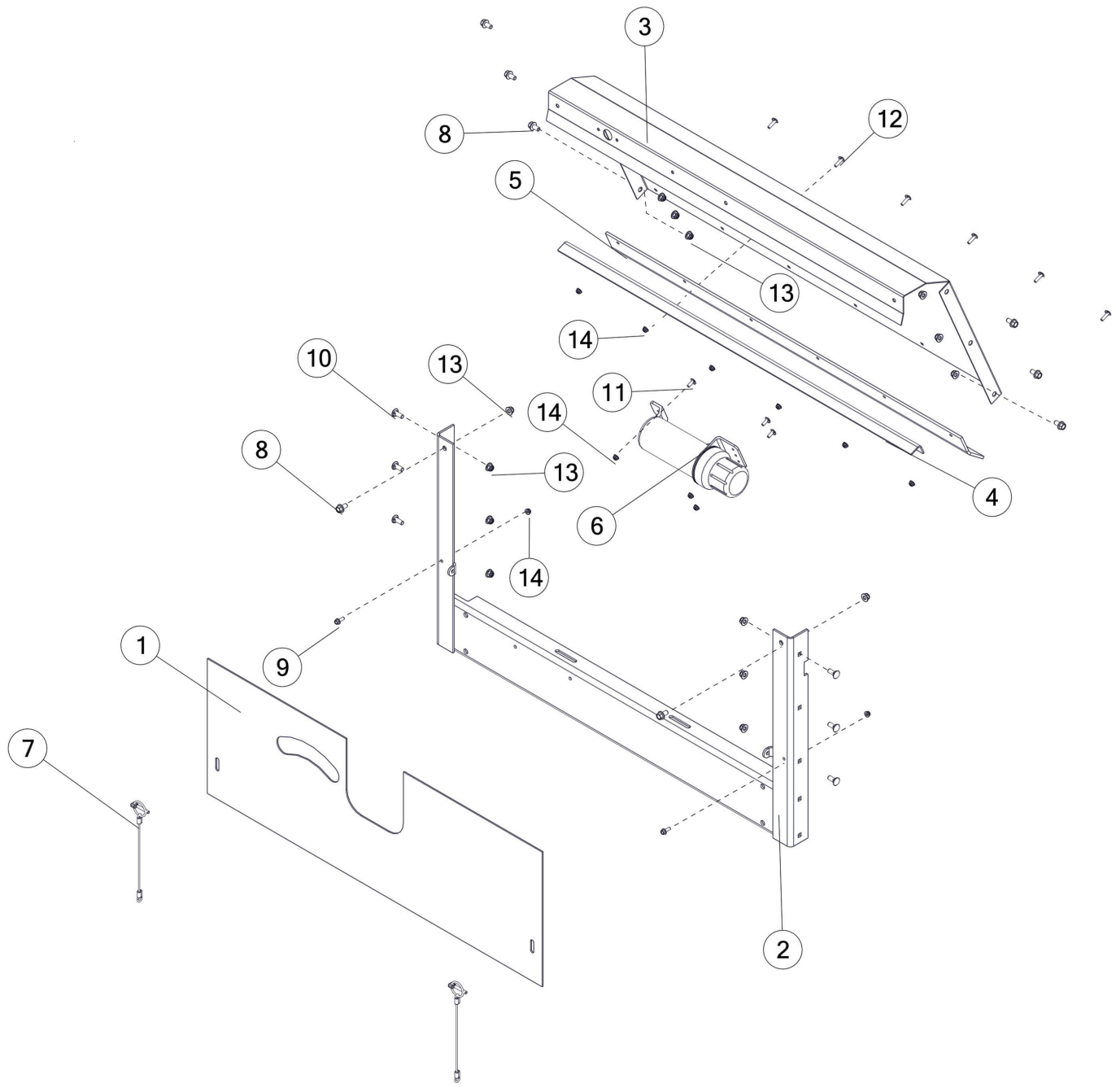
# FIGURE 2 INPUT SHAFT ASSEMBLY

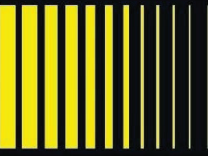
REF #	PART #	DESCRIPTION	QTY
40	YBFB12175	BOLT FLANGE, 3/8 X 1-3/4 G5	3
41	YBFB10125	BOLT FLANGE, 5/16 X 1-1/4 G5	6
42	YBFB12125	BOLT FLANGE, 3/8 X 1-1/4 G5	6
43	YBFB12250	BOLT FLANGE, 3/8 X 2-1/2 G5	1
44	YNFG08010	NUT FLANGE, 1/4 GF	7
45	YNRL12005	NUT HEX, 3/8-16 LKRS A ZC	1
46	YNHX10010	NUT HEX, 5/16-18 NA G5 ZC RH THREAD	1
47	YNFG10005	NUT FLANGE, 5/16 GF	8
48	YNFG12006	NUT FLANGE, 3/8 GF	12
49	YNHX08007	NUT HEX, 1/4	2
50	X61	CONNECTOR LINK	1
51	YNHX10015	NUT HEX, 5/16-18 NA G5 ZC LH THREAD	1
52	23N221	BEARING W/SET SCREWS, 1IN	2





**FIGURE 3**  
**FRONT PANEL & COMPONENTS**





# FIGURE 3 FRONT PANEL & COMPONENTS

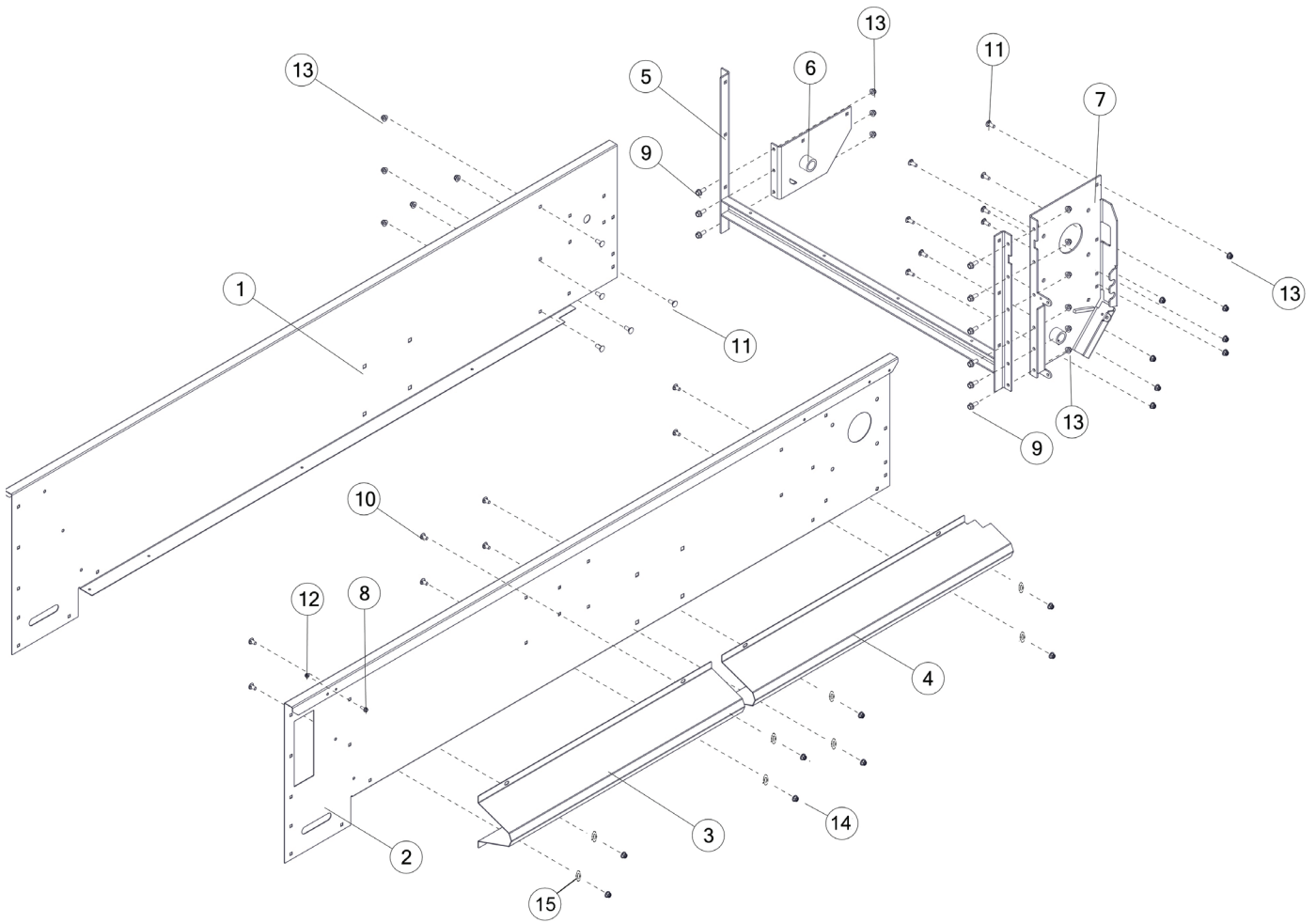
REF #	PART #	DESCRIPTION	QTY
1	71990B	PANEL, POLY, FRONT SHIELD W/DECALS	1
2	72002B	FRAME, FRONT POST W/DECALS	1
3	91220B	FRONT PANEL W/DECALS	1
4	80N66	FRONT RUBBER STRAP	1
5	12N69	FRONT RUBBER	1
6	S522	MANUAL HOLDER	1
7	S122	LANYARD, CLIP PIN CABLE	2
8	YBFB12075	BOLT FLANGE, 3/8 X 3/4 G5	8
9	YBFB08075	BOLT FLANGE, 1/4 X 3/4 G5	2
10	YBCR12010	BOLT CARRIAGE, 3/8-16 X 1 G5 ZC	6
11	YBCR08040	BOLT CARRIAGE, 1/4-20 X 3/4 G5 ZC	3
12	YBCR08005	BOLT CARRIAGE, 1/4-20 X 1 G5 ZC	6
13	YNFG12006	NUT FLANGE, 3/8 GF	14
14	YNFG08010	NUT FLANGE, 1/4 GF	11





# FIGURE 4

## SIDE PANELS & COMPONENTS





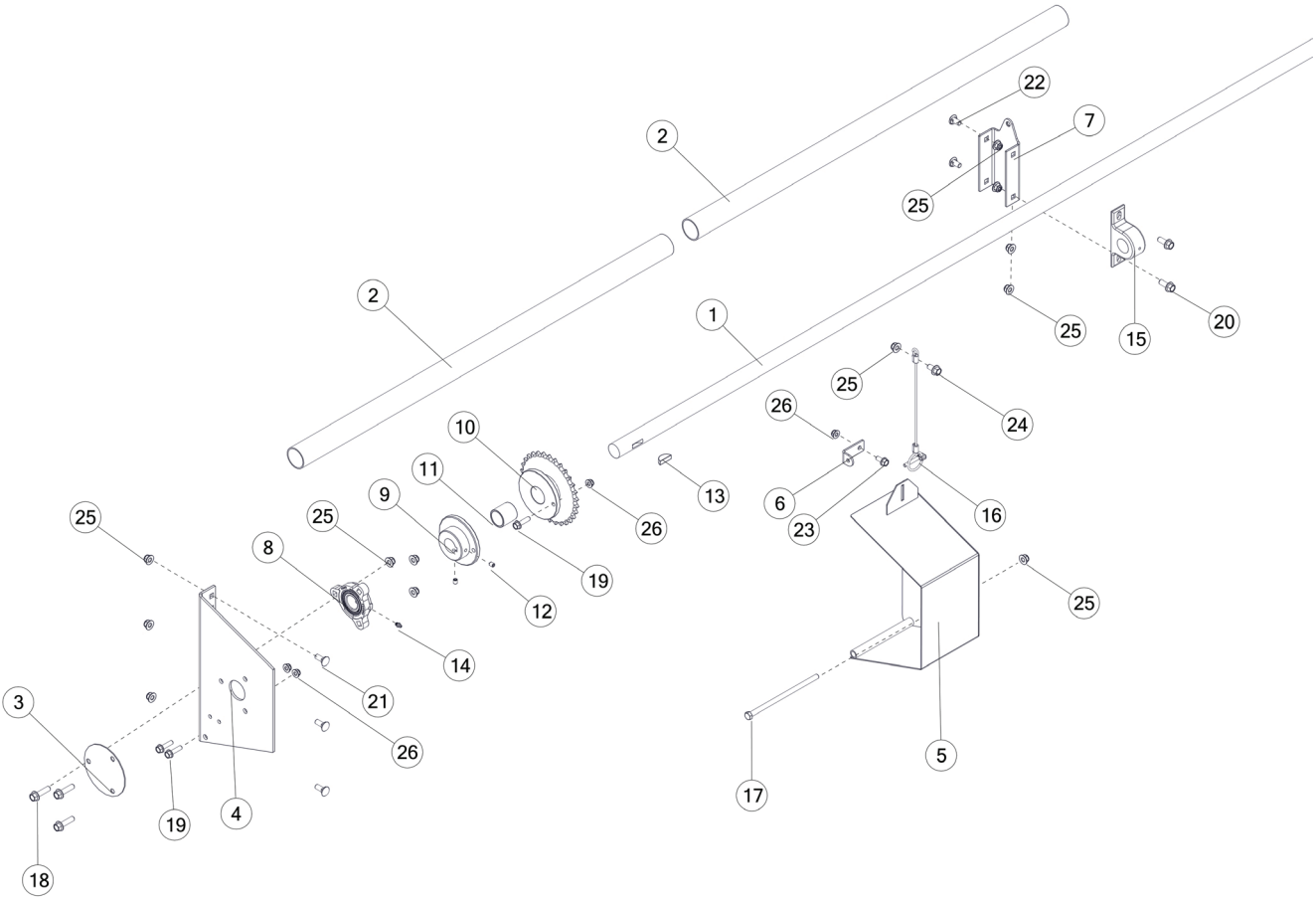
**FIGURE 4**  
**SIDE PANELS & COMPONENTS**

REF #	PART #	DESCRIPTION	QTY
1	91212B	SIDE PANEL, RH W/DECALS	1
2	91214B	SIDE PANEL, LH W/DECALS	1
3	91217B	SIDE SHAFT SHIELD, FRONT W/DECALS	1
4	91219B	SIDE SHAFT SHIELD, REAR W/DECALS	1
5	91221	REAR SUPPORT	1
6	91223	DRIVE SHAFT BRACKET, RH	1
7	91235	MAIN DRIVE BRACKET, LH	1
8	YBFB08075	BOLT FLANGE, 1/4 X 3/4 G5	1
9	YBFB12003	BOLT FLANGE, 3/8 X 1 G5	9
10	YBCR10030	BOLT CARRIAGE, 5/16 X 3/4 G5	8
11	YBCR12010	BOLT CARRIAGE, 3/8-16 X 1 G5 ZC	13
12	YNFG08010	NUT FLANGE, 1/4 GF	1
13	YNFG12006	NUT FLANGE, 3/8 GF	22
14	YNFG10005	NUT FLANGE, 5/16 GF	8
15	YWFL10005	WASHER, FLAT, 5/16 USS	8






# FIGURE 5 SIDE SHAFT & COMPONENTS





# FIGURE 5

## SIDE SHAFT & COMPONENTS

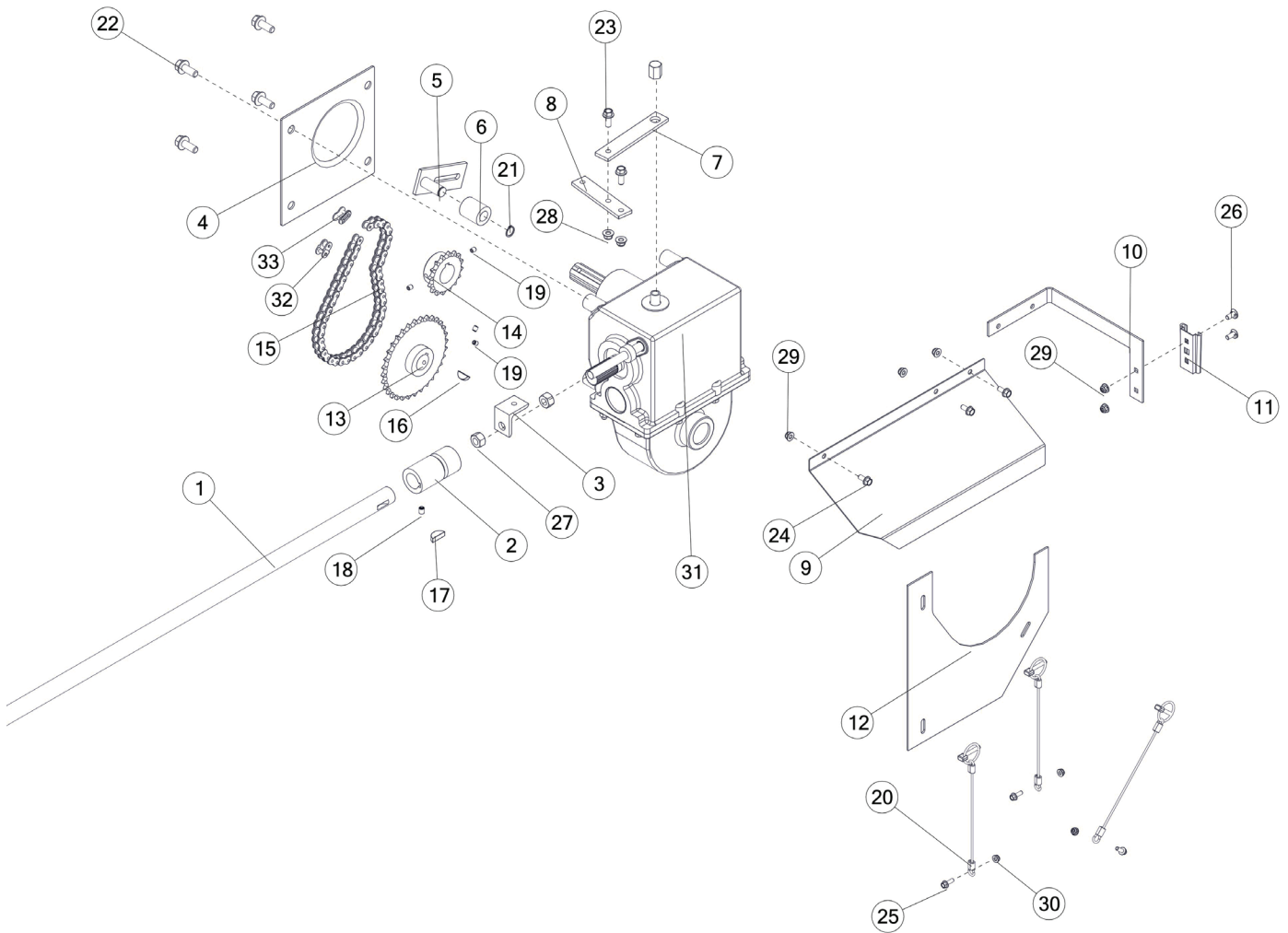
REF #	PART #	DESCRIPTION	QTY
1	91268	SIDE SHAFT	1
2	91283	SHAFT GUARD	2
3	91267	SHAFT COVER	1
4	91266B	BEARING PLATE W/DECALS	1
5	91270B	FRONT SPROCKET SHIELD W/DECALS	1
6	91273	SHIELD ANGLE	1
7	70130	BEARING BRACKET	1
8	80662	BEARING, 1-1/4	1
9	91265	SHEAR HUB	1
10	91262	SINGLE SPROCKET, 30	1
11	G16	BUSHING, BRONZE	1
12	YSKP10010	SET SCR, SCKT, KNURLED CUP PT, 5/16 - 18 X 3/8	2
13	5B9	WOODRUF KEY, 3/8 X 1-1/4	1
14	G89	ZERK, 1/4-28 STRAIGHT	1
15	12N36	BEARING, PILLOW BLOCK 1-1/4	1
16	S122	LANYARD, CLIP PIN CABLE	1
17	YBHH12246	BOLT HEX, 3/8 X 7.50 GR 5 ZC	1
18	YBFB12150	BOLT FLANGE, 3/8 X 1-1/2 G5	3
19	YBFB10125	BOLT FLANGE, 5/16 X 1-1/4 G5	3
20	YBFB12003	BOLT FLANGE, 3/8 X 1 G5	2
21	YBCR12010	BOLT CARRIAGE, 3/8-16 X 1 G5 ZC	3
22	YBCR12065	BOLT CARRIAGE, 3/8-16 X 3/4 G5 ZC	2
23	YBFB10075	BOLT FLANGE, 5/16 X 3/4 G5	1
24	YBFB12075	BOLT FLANGE, 3/8 X 3/4 G5	1
25	YNFG12006	NUT FLANGE, 3/8 GF	12
26	YNFG10005	NUT FLANGE, 5/16 GF	4





# FIGURE 6

## GEARBOX PANELS & COMPONENTS







# FIGURE 6

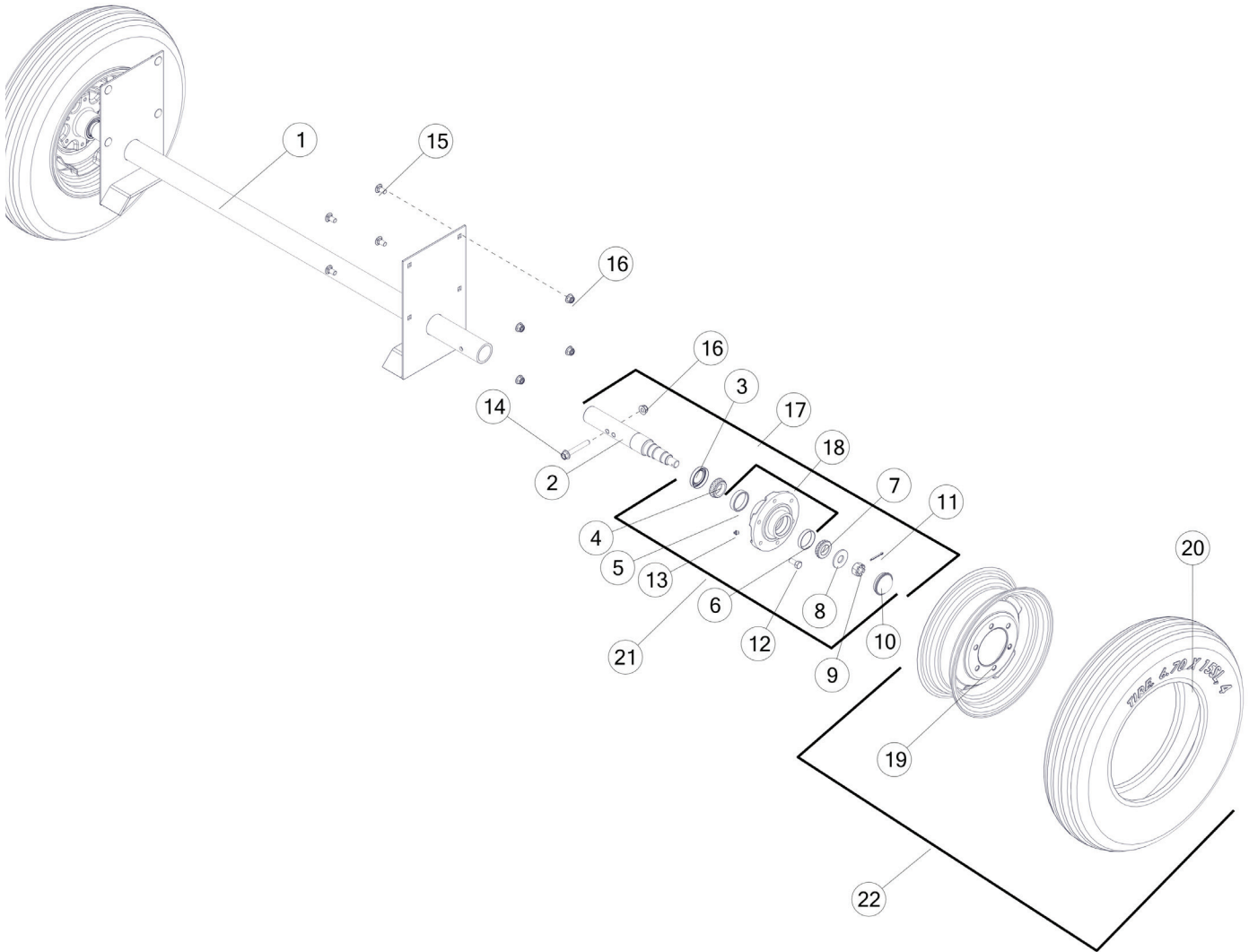
## GEARBOX PANELS & COMPONENTS

REF #	PART #	DESCRIPTION	QTY
1	91268	SIDE SHAFT	1
2	17G65	COUPLER ASSEMBLY	1
3	23N291	BRACKET, ROD, SHIFTER	1
4	69964	BEATER FLARE	1
5	L10R35	TIGHTENER BRACKET ASSEMBLY	1
6	23N238	CHAIN TIGHTENER ROLLER	1
7	23N289	SHIFTER ROD LEVER FULCRUM	1
8	23N290	SHIFTER ROD BRACKET	1
9	91218B	GEARBOX SHIELD W/DECALS	1
10	70192	BRACKET, SMV	1
11	F97	SMV BRACKET	1
12	72078B	CHAIN SHIELD, POLY, 14.7 X 14.4 X .13 W/DECALS	1
13	69791	SPKT, 50, B, 32, 1.25 SHAFT	1
14	69786	SPKT, 50, B, 16, 1.50 SHAFT	1
15	70193	CHAIN, ROLL, 50 X 45	1
16	G12	WDF KEY, 5/16 X 1	1
17	5B9	WDF KEY, 3/8 X 1-1/4	1
18	YSKP12010	SET SCR, SOCKT, KNURLED CUP PT, 3/8-16 X 1/2	1
19	YSKP10010	SET SCR, SOCKT, KNURLED CUP PT, 5/16 - 18 X 3/8	4
20	S122	LANYARD, CLIP PIN CABLE	3
21	10R32	SNAP RING, EXTERNAL, .7	1
22	YBFB16100	BOLT FLANGE, 1/2 X 1 G5	4
23	YBFB12003	BOLT FLANGE, 3/8 X 1 G5	2
24	YBFB10075	BOLT FLANGE, 5/16 X 3/4 G5	3
25	YBFB08075	BOLT FLANGE, 1/4 X 3/4 G5	3
26	YBCR10030	BOLT CARRIAGE, 5/16-18 X 3/4 G5 ZC	2
27	YNHX20005	NUT HEX, 5/8-11 NAA ZC	2
28	YNFG12006	NUT FLANGE, 3/8 GF	2
29	YNRL12005	NUT HEX , REVERSIBLE-SIDE LOCK, 3/8	5
30	YNFG08010	NUT FLANGE, 1/4 GF	3
31	17G142	GEARBOX	1
32	X60	OFFSET LINK, #50	1
33	X61	CONNECTOR LINK, #50	1





# FIGURE 7 HUB, SPINDLE & COMPONENTS





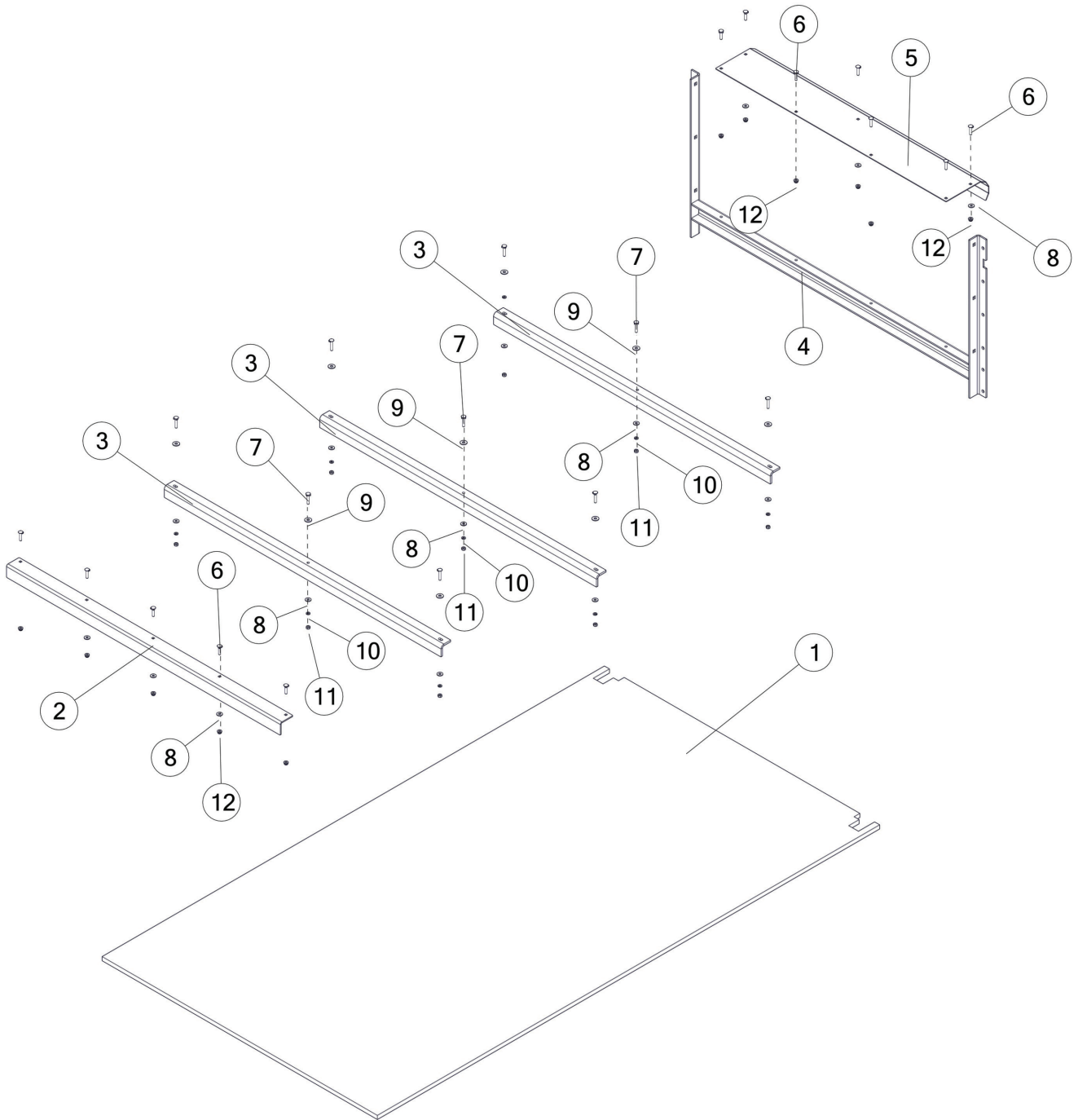
# FIGURE 7 HUB, SPINDLE & COMPONENTS

REF #	PART #	DESCRIPTION	QTY
1	80N54	AXLE	1
2	12N16	SPINDLE	2
3	12N17	SEAL	2
4	DWM461	INNER BEARING	2
5	DWM462	HUB 888, INNER RACE, 2.48OD	2
6	17G146	OUTER RACE	2
7	17G145	OUTER BEARING	2
8	YWFL28005	WASHER FLAT, 7/8 USS ZINC	2
9	YNSL28005	NUT SLOT, 7/8-14 NA G2 NF	2
10	17G144	HUB CAP	2
11	YPCT05010	COTTER PIN 5/32 X 1-1/2	2
12	YBWL16005	BOLT WHEEL, 1/2-20 X 1 G5 ZC	12
13	BFR28	GREASE ZERK, 1/8 NPT	2
14	YBFB16350	BOLT FLANGE, 1/2 X 3-1/2 G5	2
15	YBCR16005	BOLT CARRIAGE, 1/2-13 X 1 G5 ZC	8
16	YNFG16003	NUT FLANGE, 1/2 GF	10
17	86815	HUB & SPINDLE	2
18	12N20	HUB WITH RACES	2
19	71174SR	WHEEL, 15 X 5, 6 BOLT, SILVER	2
20	80N93	TIRE, 6.70 X 15SL, 6	2
21	RG254	HUB COMPLETE	2
22	71195SR	ASSEMBLY, TIRE AND WHEEL	2





# FIGURE 8 FLOOR & COMPONENTS



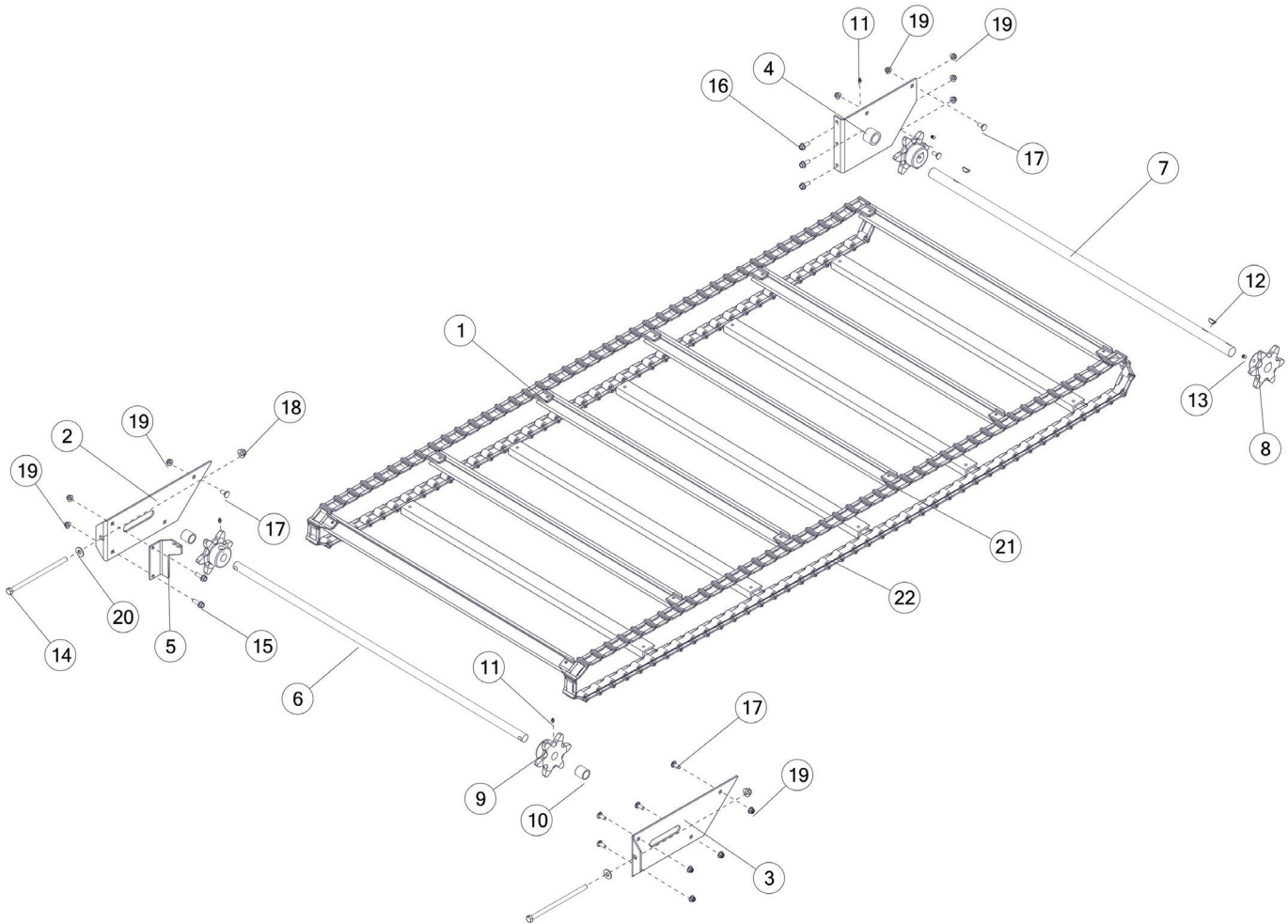
REF #	PART #	DESCRIPTION	QTY
1	80G20	FLOOR	1
2	91248	FRONT FLOOR BRACE	1
3	80G5	BRACKET, FLOOR CROSS PIECE	3
4	91221	REAR SUPPORT	1
5	91242	DRIVE SHAFT COVER	1
6	YBCR08015	BOLT CARRIAGE, 1/4-20 X 1-1/4 G5 ZC	12
7	YBCR08010	BOLT CARRIAGE, 1/4-20 X 1-1/2 G5 ZC	9
8	YWFL08005	WASHER FLAT, 1/4 USS	15
9	YWFL10005	WASHER FLAT, 5/16 USS	9
10	YWLO08005	WASHER LOCK, 1/4 ZINC	9
11	YNHX08007	NUT HEX, 1/4-20, NA G5 ZC	9
12	YNFG08010	NUT FLANGE, 1/4 GF	12





# FIGURE 9

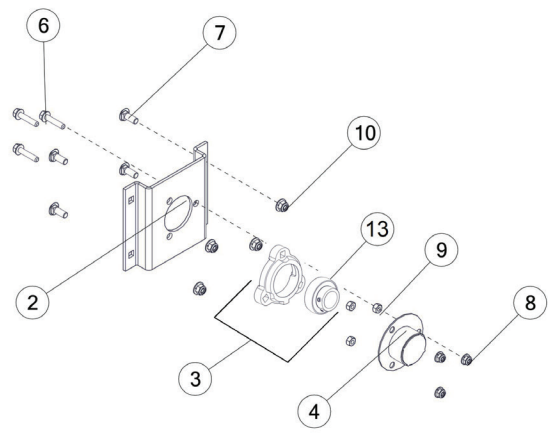
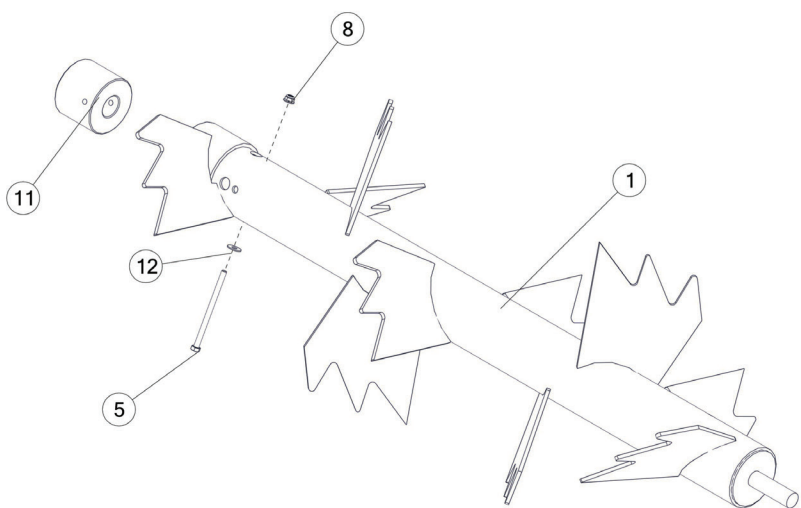
## DRIVE SHAFTS & COMPONENTS







# FIGURE 10 BEATER & COMPONENTS



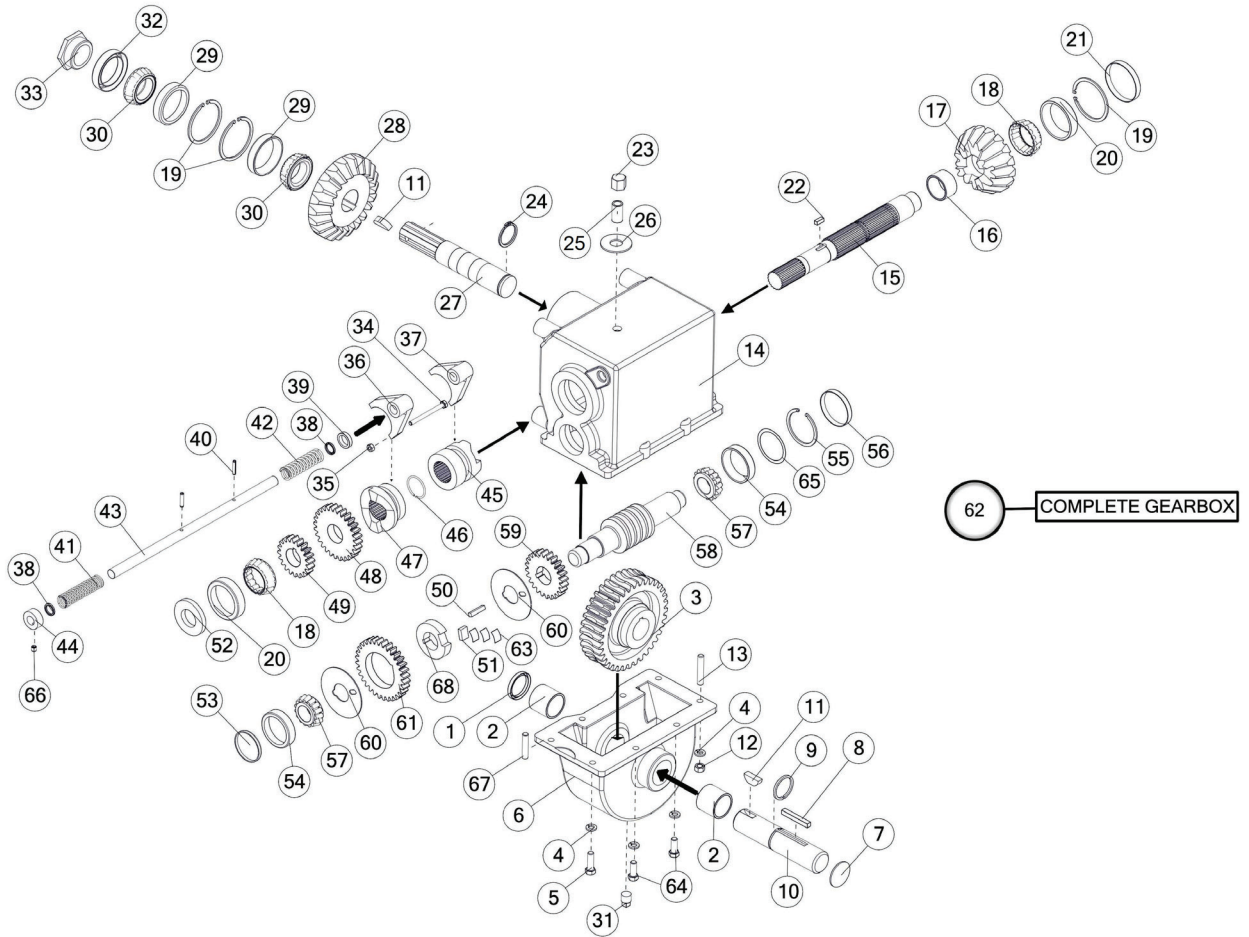


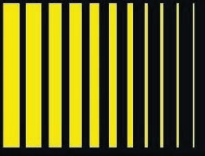




# FIGURE 11

## GEARBOX





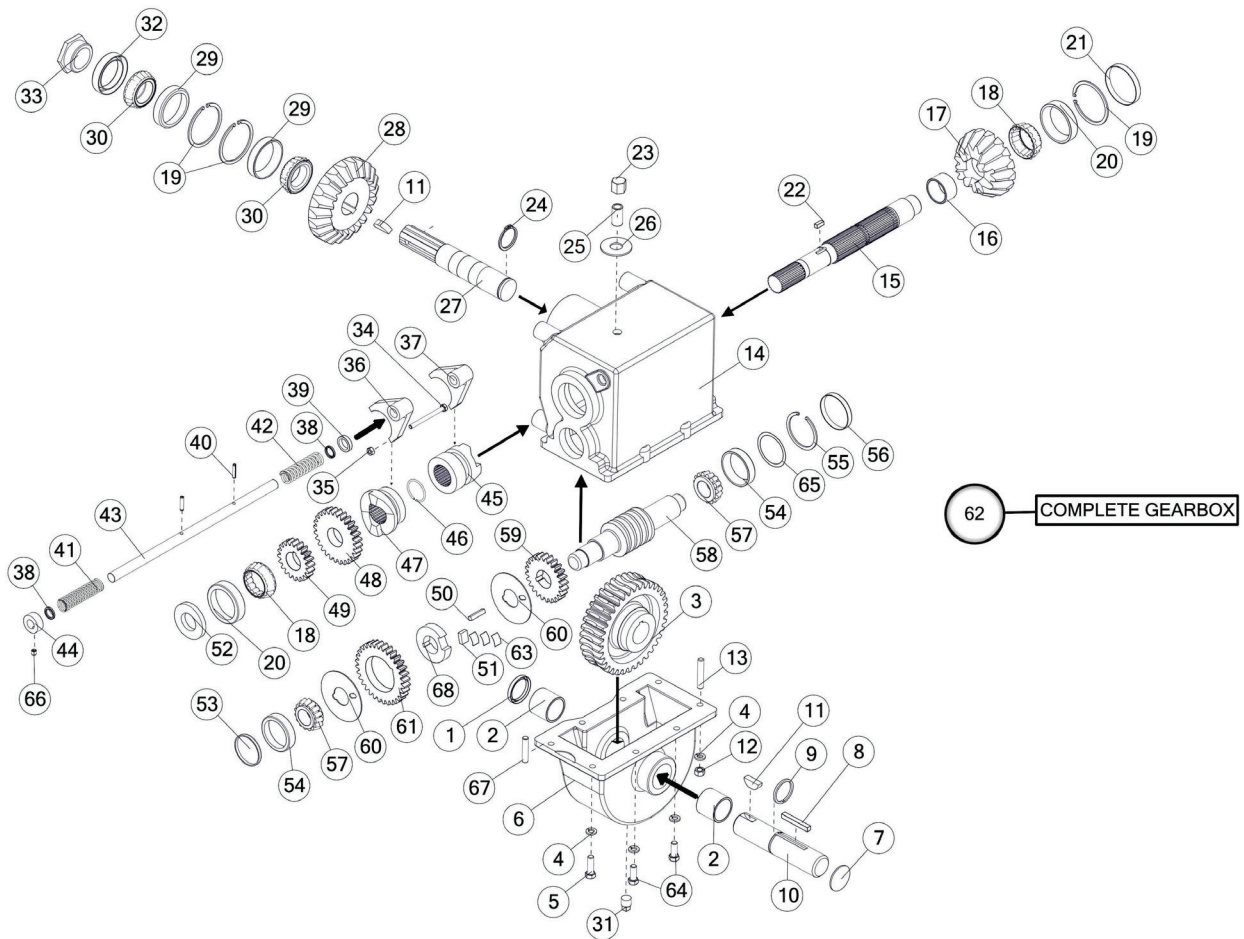
REF #	PART #	DESCRIPTION	QTY
1	17G133	SEAL	1
2	17G134	BRONZE BUSHING	2
3	17G137	WORM GEAR 36T	1
4	YWLO12005	WASHER LOCK, 3/8	8
5	YBHH12035	BOLT HEX, 3/8 X 1-1/4 G5	2
6	17G107	LOWER GEARBOX HOUSING	1
7	17G139	CAP	1
8	17G132	SQUARE KEY	1
9	17G135	SNAP RING	1
10	17G136	OUTPUT SHAFT	1
11	5B9	WOODRUFF KEY	2
12	YNHX12005	NUT HEX, 3/8 G2	2
13	17G140	STUD	1
14	17G99	UPPER GEARBOX HOUSING	1
15	17G108A	INPUT SHAFT	1
16	17G111	BRONZE BUSHING	1
17	17G110	BEVEL GEAR 16T	1
18	G18	TAPER BEARING	2
19	G55	INTERNAL SNAP RING	3
20	18VB25	RACE	2
21	G68	CAP	1
22	17G116	SQUARE KEY	1
23	17G58	VENT CAP	1
24	12V62	HEAVY DUTY EXTERNAL SNAP RING	1
25	23N288	PIPE NIPPLE	1
26	YWFL24005	WASHER FLAT, 3/4	1
27	17G104	OUTPUT SHAFT	1
28	17G101	BEVEL GEAR 22T	1
29	17G102	RACE	2
30	17G103	TAPER BEARING	2
31	G65	PIPE PLUG, 3/8 NPT	1
32	17G105	SEAL	1
33	17G106	NUT HEX, 1-1/2	1
34	YBHH08090	BOLT HEX, 1/4 X 3 G2	1
35	YNHX08007	HEX NUT, 1/4 G5	1
36	17G125	HIGH SPEED SHIFTER YOKE	1
37	17G129	BEATER SHIFTER YOKE	1
38	17G121	SEAL	2
39	17G122	TUBE	1





# FIGURE 11

## GEARBOX





# FIGURE 11

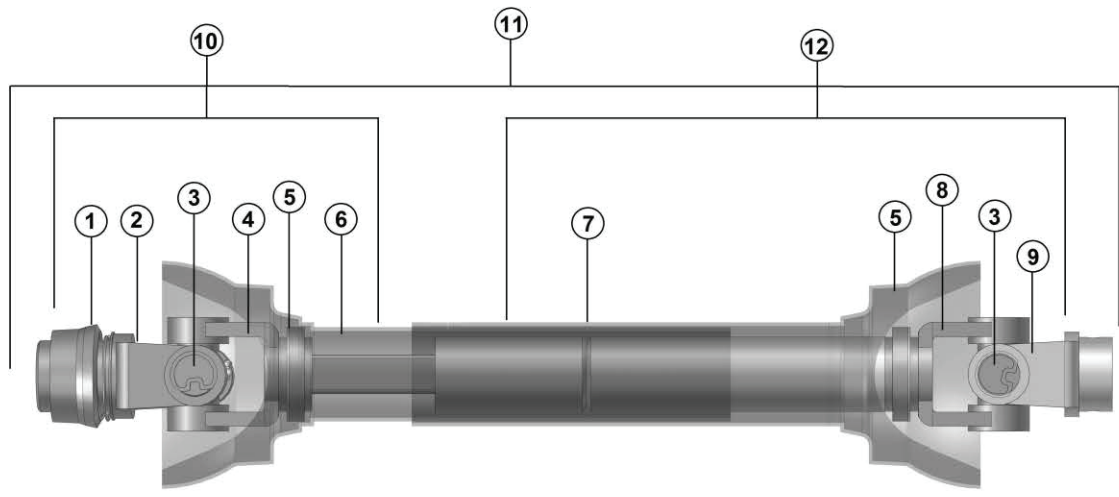
## GEARBOX

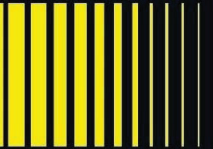
REF #	PART #	DESCRIPTION	QTY
40	17G123	ROLL PIN	2
41	17G128	SPRING	1
42	17G130	SPRING	1
43	17G131	SHIFTER ROD	1
44	17G171	LOCK COLLAR, 1-1/4	1
45	17G109	BEATER CLUTCH	1
46	17G169A	SNAP RING	1
47	17G119	HIGH SPEED CLUTCH	1
48	17G118	GEAR 28T	1
49	17G115	LOW SPEED GEAR	1
50	S135	SQAURE KEY	1
51	17G124	CLUTCH DOG	1
52	S136	SEAL	1
53	17G100	CAP	1
54	3G18	RACE	2
55	3G19	INTERNAL SNAP RING	1
56	G90	CAP	1
57	L3G24	TAPER BEARING	2
58	17G120	SHAFT	1
59	17G117	HIGH SPEED GEAR	1
60	17G112	WASH FLAT	2
61	17G113	LOW SPEED GEAR	1
62	17G142	COMPLETE GEARBOX	1
63	17G126	DOG SPRING	3
64	YBHH12010	BOLT HEX, 3/8 X 1 G5	4
65	G92	STAINLESS SHIM	1
66	YSKP10015	SET SCREW	1
67	17G138	STUD	1
68	17G114	LOW SPEED CLUTCH	1





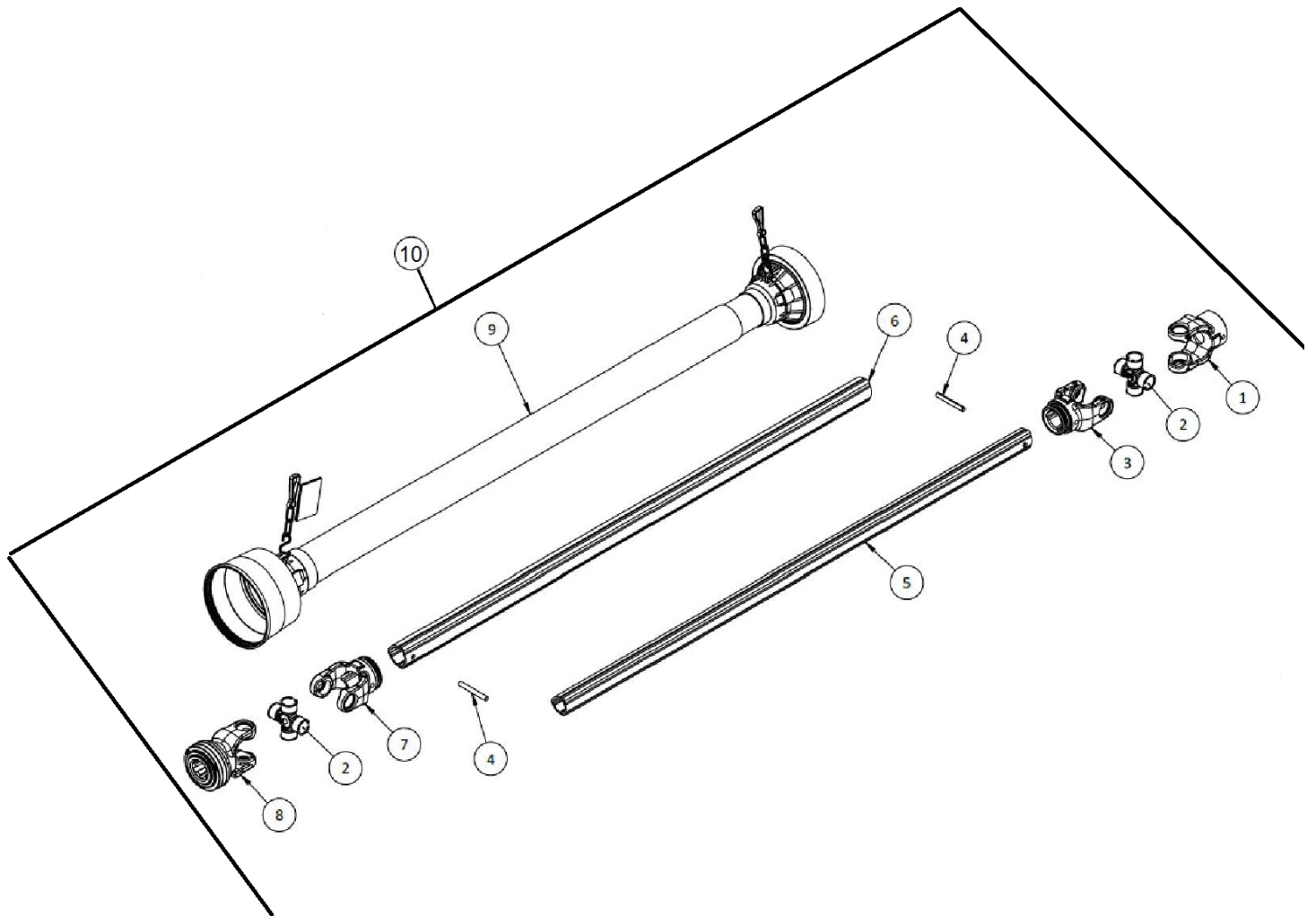
**FIGURE 12**  
PTO



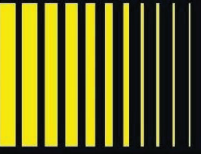


REF #	PART #	DESCRIPTION	QTY
1	S225	SPRING-LOK REPAIR KIT	1
2	S379	SPRING-LOK YOKE ASSEMBLY	1
3	T274	12P CROSS AND BEARING KIT	2
4	80N88	YOKE AND SHAFT	1
5	S206	GUARD REPAIR KIT	2
6	80N90	INNER GUARD	1
7	80N89	OUTER GUARD	1
8	80N91	YOKE AND TUBE	1
9	80N92	YOKE	1
10	80N84	JOINT & SHAFT HALF ASSEMBLY W/ GUARD	1
11	80N83	COMPLETE PTO ASSEMBLY	1
12	80N86	JOINT & TUBE HALF ASSEMBLY W/ GUARD	1
*	S402	PTO SAFETY MANUAL	1









# FIGURE 13

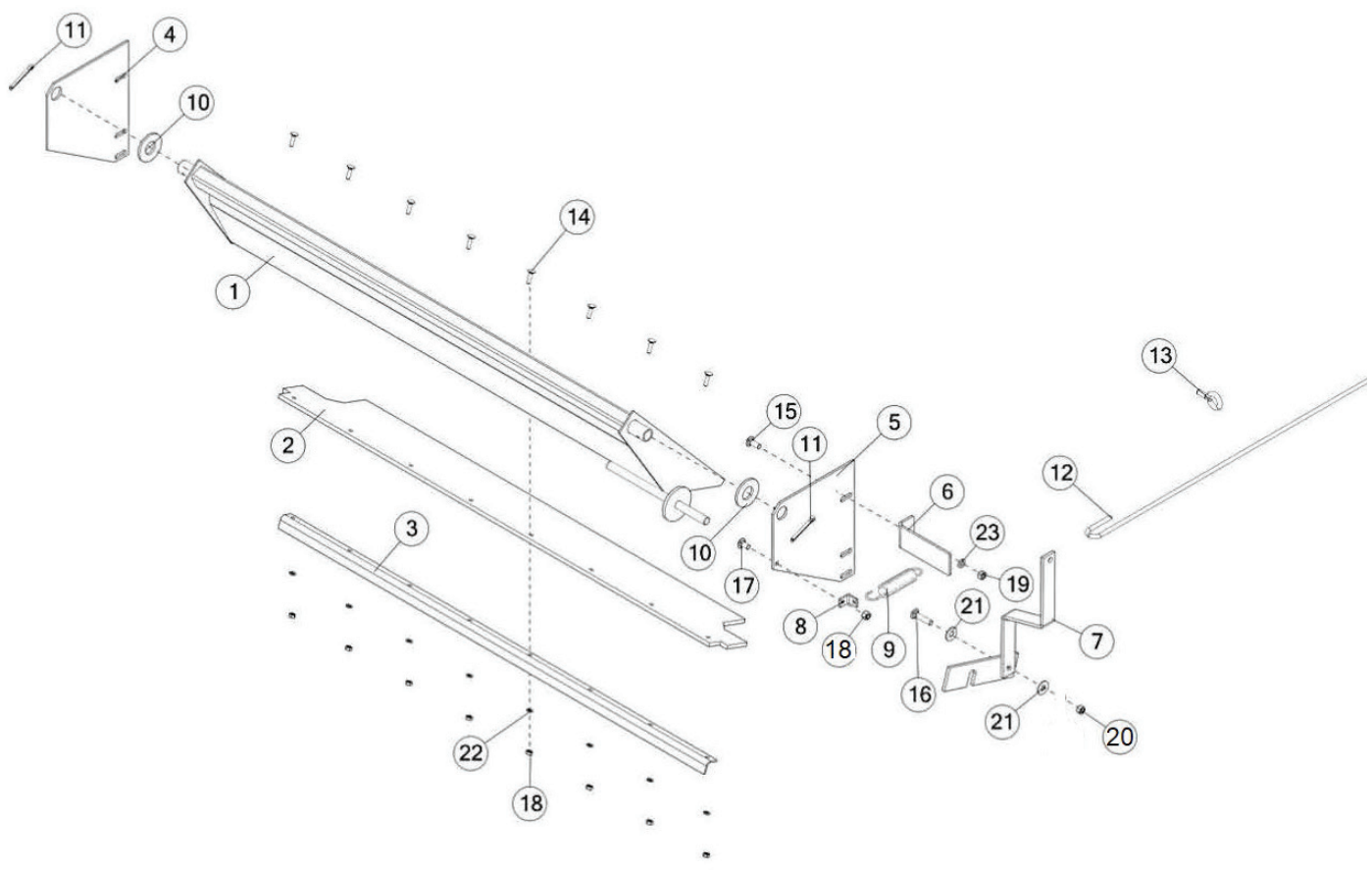
## PTO

REF #	PART #	DESCRIPTION	QTY
1	84679	YOKE	1
2	84672	U JOINT	2
3	84673	YOKE	1
4	YPEX10250	EXPANSION PIN, 5/16 X 2-1/2	2
5	84680	INNER TUBE	1
6	84681	OUTER TUBE	1
7	84676	YOKE	1
8	84677	YOKE	1
9	84682	GUARD KIT	1
10	80N83Z	COMPLETE PTO	1





**FIGURE 14**  
OPTIONAL REAR PAN (MSO3C)





## FIGURE 14

### OPTIONAL REAR PAN (MSO3C)

REF #	PART #	DESCRIPTION	QTY
1	80N1	PAN	1
2	12N53	PAN RUBBER	1
3	12N52	RUBBER FLAP ANGLE	1
4	80N2	PAN PLATE LH	1
5	80N3	PAN PLATE RH	1
6	80N82	PAN HANDLE STOP	1
7	95728	PAN TRIP LEVER	1
8	R26	SPRING ANGLE	1
9	R27	SPRING	1
10	R3	PAN SPACER	2
11	YPCT08007	COTTER PIN, 1/4 X 2	2
12	80N6	TRIP ROPE	1
13	YBTE12005	TURNUED EYE BOLT, 3/8 X 1	2
14	YBCR08005	BOLT CARRIAGE, 1/4 X 1 G5	8
15	YBCR12010	BOLT CARRIAGE, 3/8 X 1 G5	1
16	YBCR12030	BOLT CARRIAGE, 3/8 X 1-3/4 G5	1
17	YBCR08040	BOLT CARRIAGE, 1/4 x 3/4	1
18	YNHX08005	NUT HEX, 1/4	13
19	YNHX12005	NUT HEX, 3/8 G2	2
20	YNTL12005	NUT HEX TOP LOCK, 3/8	1
21	YWFL14005	WASHER FLAT, 7/16	2
22	YWLO08005	WASHER LOCK, 1/4	11







# H&S MFG. CO.

products approved

for the

## FEMA

# SEAL OF QUALITY



Manufactured by:

**H&S MANUFACTURING CO., INC.**

2608 S. HUME AVE. MARSHFIELD, WI 54449

(715) 387-3414 | [hsmfgco.com](http://hsmfgco.com)

