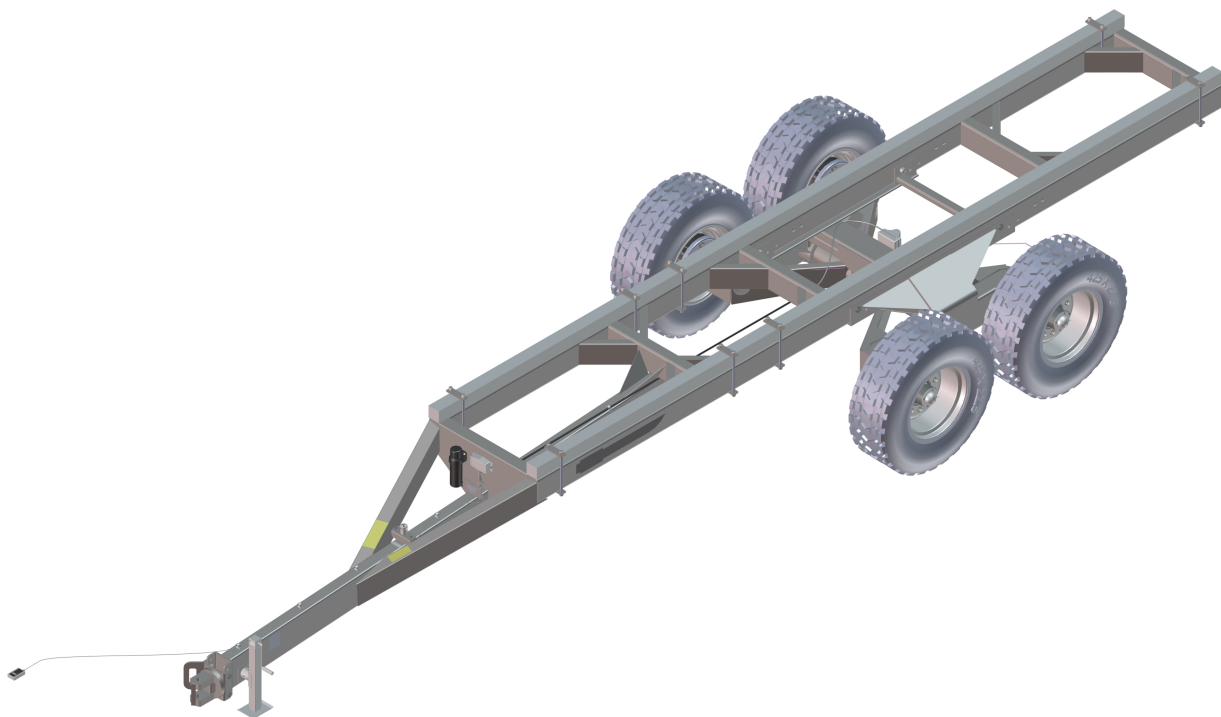


H&S PARTS BOOK

WBOC-24/26 CHASSIS



Revision #00
Starting Ser. #112030

Part #74103
HSMFG0115

P.O. BOX 768, MARSHFIELD, WI 54449
(715) 387-3414 FAX (715) 384-5463
www.hsmfgco.com

CONTENTS

Instructions for Ordering Parts - About Improvements	1
Figure 1 - Main Frame & Components	2-3
Figure 2 - Slider Mount Assembly	4-5
Figure 3 - Tandem & Components	6-7
Figure 4 - Optional Brake Harness Assembly	8-9
Figure 5 - Optional Brake Line Assembly	10-11
Figure 6 - Optional Brake Assembly.....	12-13
Notes	14

INSTRUCTIONS FOR ORDERING PARTS

All service parts should be ordered through your authorized H&S dealer. They will be able to give you faster service if you will provide them with the following

1. Model & Serial number is located on the left, rear main frame of your unit.
2. All reference to left or right apply to the machine as viewed from the rear.
3. Parts should not be ordered from illustration only. Please order by complete part number.
4. If your dealer has to order parts - give shipping instructions:
VIA truck - large pieces (please specify local truck lines)
VIA United Parcel Service (include full address)

H&S MFG. CO. INC.	
MARSHFIELD, WIS.	
MOD. NO.	<input type="text"/>
SER. NO.	<input type="text"/>
DESCR.	<input type="text"/>

PLEASE RECORD NUMBERS FOR YOUR UNIT FOR QUICK REFERENCE

ABOUT IMPROVEMENTS

H&S IS CONTINUALLY STRIVING TO IMPROVE IT'S PRODUCTS

We must therefore, reserve the right to make improvements or changes whenever it becomes practical to do so without incurring any obligation to make changes or additions to the equipment previously sold.

FIGURE 1
MAIN FRAME & COMPONENTS

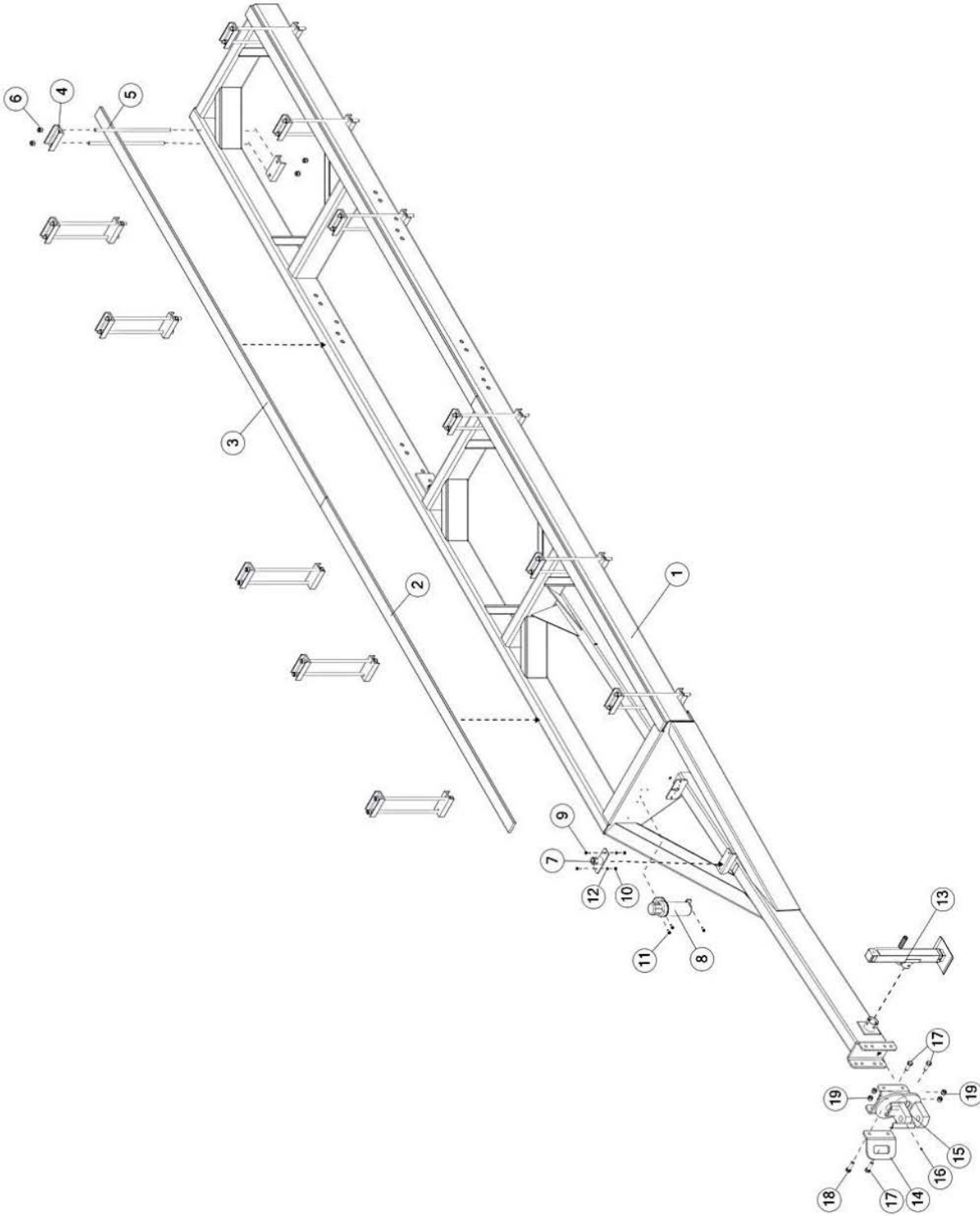


FIGURE 1

MAIN FRAME & COMPONENTS

<u>ITEM</u>	<u>QTY</u>	<u>PART #</u>	<u>DESCRIPTION</u>
1	1	FBC10	FRAME
2	2	70636	REAR WOOD CHASSIS SPACER
3	2	70634	FRONT WOOD CHASSIS SPACER
4	16	69906	CHL, C, 3.00 X 1.52 X 6.50, TIE DOWN
5	16	FBC6	SPACER BOLT
6	32	YNNY24006	HEX NUT, NYLON LOCKNUT, 3/4 (FINE)
7	1	FBC67	BULLDOG MOUNT
8	1	S522	MANUAL HOLDER
9	2	YBHH12010	BOLT, 3/8-16 X 1 GR 5
10	2	YNHX12005	HEX NUT, 3/8-16
11	3	YSST10005	.312 X 1 SELF THREADING FLANGE BOLT
12	2	YWLO12005	WASHER, LOCK, 3/8
13	1	TS306	7000 LB SQUARE JACK 15" TRAVEL
14	1	FBC27	SAFETY CHAIN MOUNT
*	1	SC60000	SAFETY CHAIN 60,000 LB. RATING
15	1	FBC9	COMPLETE SWIVEL HITCH ASY.
16	1	G89	ZERK, 1/4"-28 STRAIGHT-STD #1641
17	3	YBHH24017	BOLT, 3/4-16 X 2 GR 8
18	4	YBHH24031	BOLT, 3/4-16 X 2.5 GR 8
19	4	YNNY24006	HEX NUT, NYLON LOCKNUT, 3/4 (FINE)

***MEANS NOT SHOWN**

FIGURE 2 **SLIDER MOUNT ASSEMBLY**

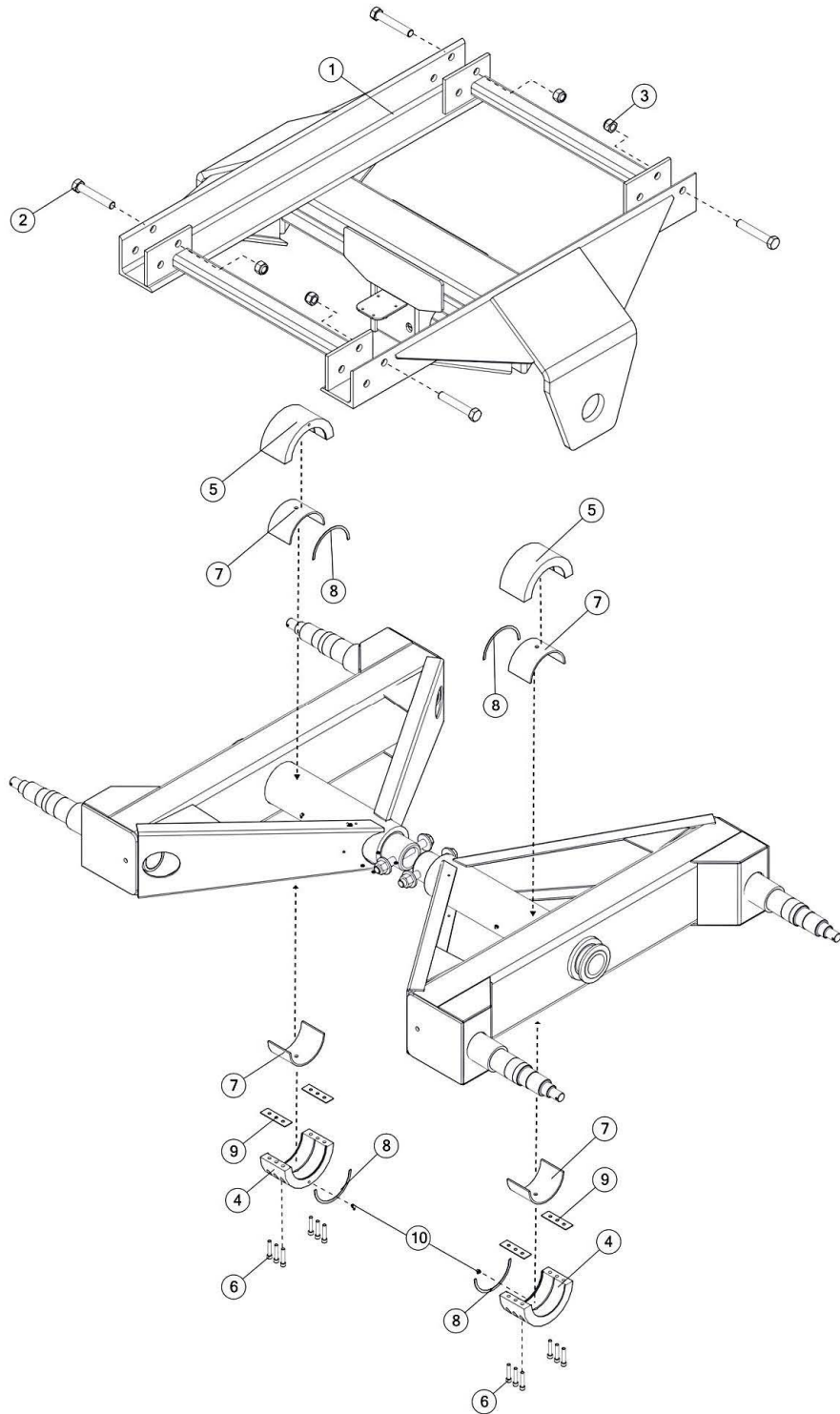


FIGURE 2
SLIDER MOUNT ASSEMBLY

<u>ITEM</u>	<u>QTY</u>	<u>PART #</u>	<u>DESCRIPTION</u>
1	1	FBC13	SLIDER
2	4	YBHH32025	BOLT, 1"-8 X 6 GR 5
3	4	YNNY32005	HEX NUT, NYLON LOCKNUT, 1"-8
4	2	FBC19	SADDLE BOTTOM
5	2	FBC18	POLY BUSHING
6	12	YSHS14017	SOCKET HEAD CAP SCREW, 7/16-20 X 2-1/4
7	4	FBC18	POLY BUSHING
8	4	FBC29	PHENOLIC KEEPER
9	4	FBC24	SADDLE SHIM
10	2	GM503	GREASE ZERK 60104 90 DEGREE

FIGURE 3 TANDEM & COMPONENTS

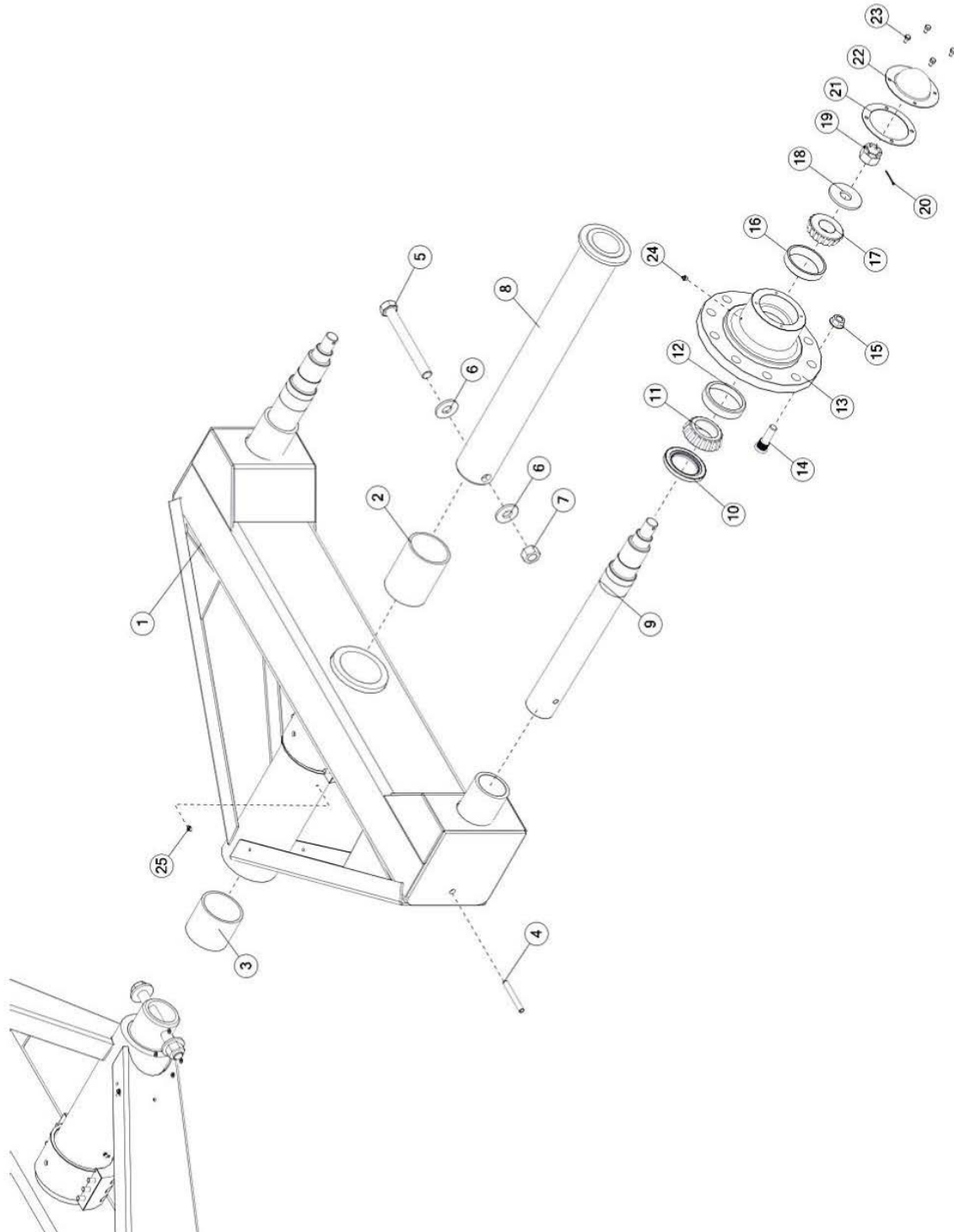


FIGURE 3

TANDEM & COMPONENTS

<u>ITEM</u>	<u>QTY</u>	<u>PART #</u>	<u>DESCRIPTION</u>
1	1	FBC33	TANDEM BEAM RIGHT LONG
*	1	FBC32	TANDEM BEAM LEFT LONG
2	2	FBC16	POLY BUSHING
3	2	FBC17	POLY BUSHING
4	4	YPEX16020	EXPANSION PIN, 1/2" X 4"
5	2	YBHH32040	BOLT, 1 X 9 GR 5
6	4	FBC26	TANDEM BOLT WASHER
7	2	YNRL32005	HEX NUT, REVERSIBLE-SIDE LOCK, 1"-8
8	2	FBC14	AXLE PIVOT TUBE
9	4	FBC31	TANDEM SPINDLE
10	4	60N5	SEAL--600 BUSHEL
11	4	60N7	INNER BEARING--600 BUSHEL
12	4	60N6	INNER RACE--600 BUSHEL
13	4	54492	871 HUB WITH TIMKEN BEARINGS, 10 BOLT
14	40	YBSD24010	STUD BOLT, 3/4-16UNF X 2-3/4 (3/4 SHOULDER)
15	40	60N14	HEX FLANGE NUT, 3/4-16 UNF-28, GR 8
16	4	60N10	OUTER RACE--600 BUSHEL
17	4	60N9	OUTER BEARING--600 BUSHEL
18	4	60N2	SPINDLE WASHER
19	4	YNCA36005	HEX NUT, CASTLE, 1-1/4"-12
20	4	YPCT05010	COTTER PIN 5/32" X 1-1/2"
21	4	56234	HUB CAP GASKET
22	4	60N11	HUB CAP--600 BUSHEL
23	16	YBHH10020	BOLT, 5/16 X 1/2 GR 5
24	4	BFR28	1/8" NPT GREASE ZERK
25	2	RG51	ZERK, 90 DEGREE 1/4"-28 # B1911

***MEANS NOT SHOWN**

FIGURE 4 OPTIONAL BRAKE HARNESS ASSEMBLY

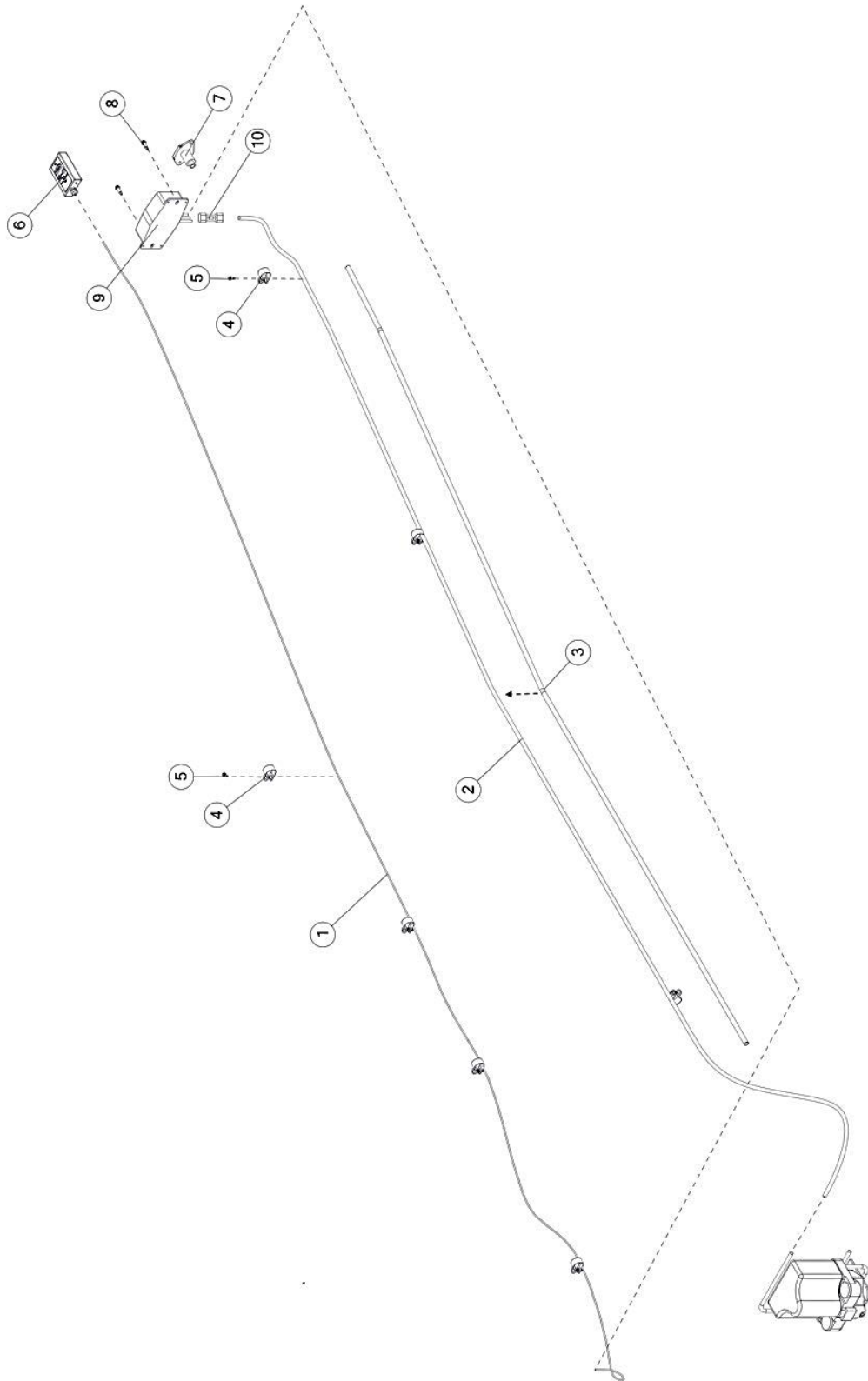


FIGURE 4

OPTIONAL BRAKE HARNESS ASSEMBLY

<u>ITEM</u>	<u>QTY</u>	<u>PART #</u>	<u>DESCRIPTION</u>
1	1	FBC30	BRAKE HARNESS
*	1	61043	EXTENSION HARNES 8 FEET
2	1	FBC40	EXTENSION HARNESS 4858900
3	1	FBC42	1/2" EMT CONDUIT 120" LENGTH
4	7	HGV72	CUSHION WIRE CLAMP
5	7	YSDR64005	SELF DRILLING SCREW, HEX WASHER HEAD, #10-16 X 5/8 (ZINC)
6	1	FBC38	IN CAB CONTROLLER
7	1	8621	4 POLE TRAILER SOCKET
8	2	YSDR08005	SELF DRILLING SCREW, HEX WASHER HEAD, 1/4-14 X 1 (ZINC)
9	1	FBC39	SD CONTROL MODULE 4834200
10	2	57601	PRESSURE REDUCER FOR BRAKE SYSTEM

***MEANS NOT SHOWN**

FIGURE 5
OPTIONAL BRAKE LINE ASSEMBLY

<u>ITEM</u>	<u>QTY</u>	<u>PART #</u>	<u>DESCRIPTION</u>
1	1	FBC44	HYDRAULIC BRAKE LINE (REAR)
2	1	FBC47	HYDRAULIC BRAKE LINE 60"
3	2	FBC46	HYDRAULIC BRAKE HOSE
4	1	FBC63	HYDRAULIC BRAKE LINE 57-1/2" (RH FRONT) FBC66 KIT
5	1	FBC45	TEE
6	1	FBC62	HYDRAULIC BRAKE LINE 48" (RH REAR)
7	8	YSDR64005	SELF DRILLING SCREW, HEX WASHER HEAD, #10-16 X 5/8 (ZINC)
8	8	FBC64	LOOP CLAMP 3/16" D LOOP
9	2	YBHH08100	BOLT, 1/4 X 3/4 GR 5
10	2	YNNY08005	HEX NUT, NYLON LOCKNUT, 1/4-20
11	2	RGB26	TEE
12	4	YBHH08100	BOLT, 1/4 X 3/4 GR 5
13	4	YWLO08005	WASHER, LOCK, 1/4
14	1	FBC41	BRAKERITE II 4834100

FIGURE 6
OPTIONAL BRAKE ASSEMBLY

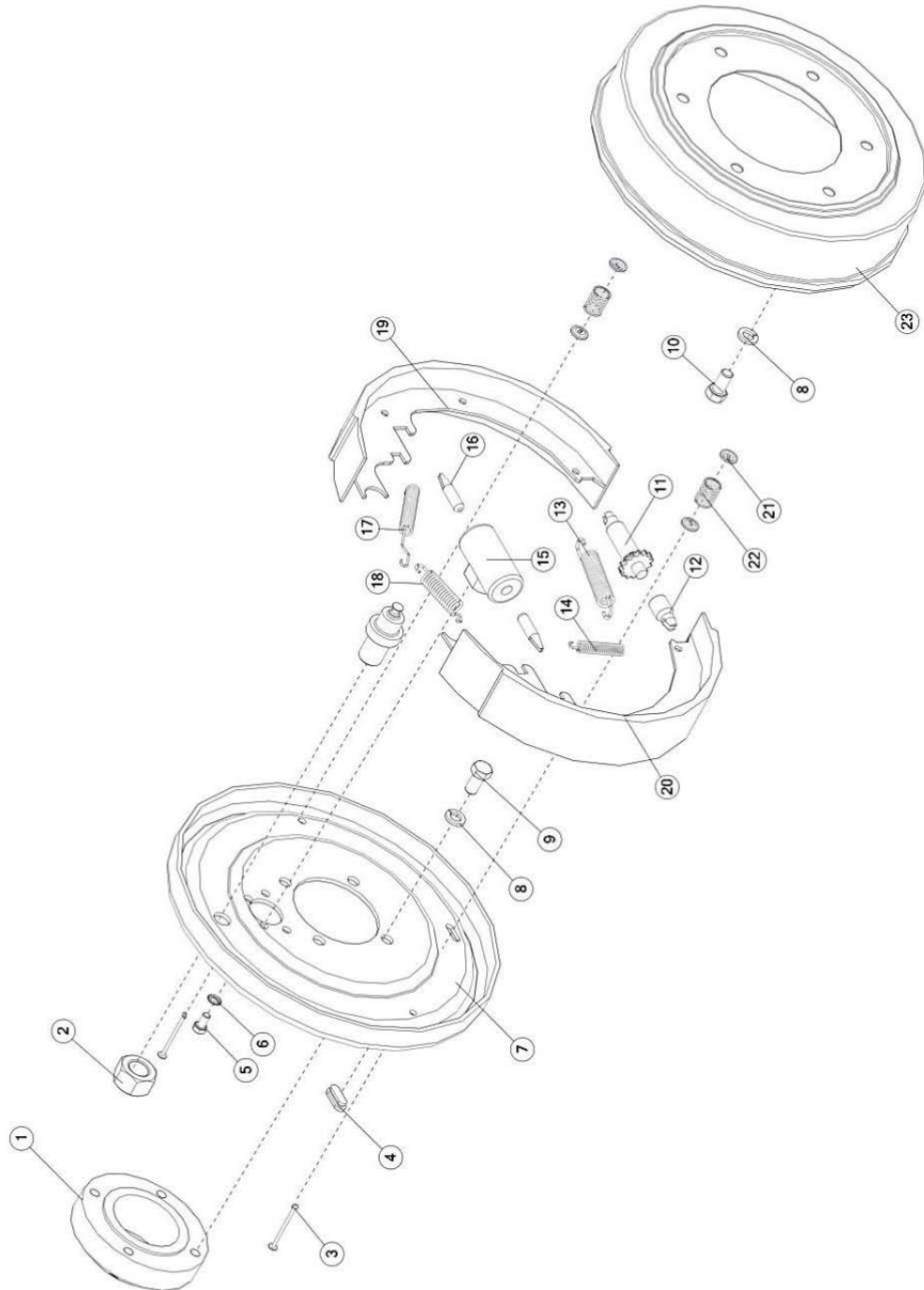
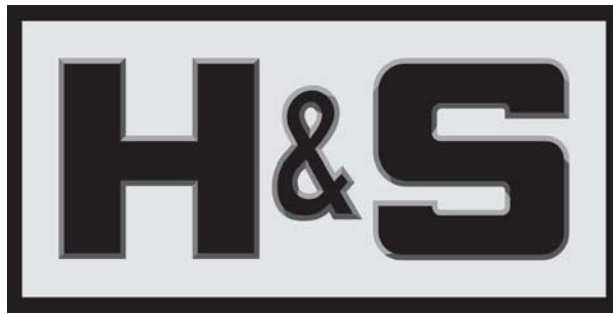


FIGURE 6

OPTIONAL BRAKE ASSEMBLY

<u>ITEM</u>	<u>QTY</u>	<u>PART #</u>	<u>DESCRIPTION</u>
1	1	CB17	BACKING PLATE MOUNT
2	1	YNHX32011	HEX NUT, 1"- 8
3	2	RGB56	PIN-SHOE HOLD DOWN
4	1	FBC55	ADJUSTING HOLE COVER
5	2	YBHH10132	BOLT, 5/16 X 5/8
6	2	YWSI10005	5/16" STAR LOCK WASHER
7	1	FBC49	13" INCH FB BRAKE RH
8	4	YWLO16005	WASHER, LOCK, 1/2
9	4	YBHH16010	BOLT, 1/2 X 1 GR 5
10	6	YBHH16011	1/2-20 1" HEX CAP SCREW GRADE 5
11	1	RGB49	ADJUSTING SCREW
12	1	RGB61	SOCKET
13	1	RGB50	SPRING ADJUSTING SCREW
14	1	RGB76	SPRING SHOE
15	1	FBC52	WHEEL CYLINDER ASSEMBLY LEFT
*	1	FBC53	WHEEL CYLINDER ASSEMBLY RIGHT
16	2	FBC54	PUSH ROD
17	1	RGB55	SPRING SHOE
18	1	RGB75	SPRING LEVER
19	1	FBC50	BRAKE SHOE REAR
20	1	FBC52	WHEEL CYLINDER ASSEMBLY LEFT
21	4	RGB57	CUP SHOE HOLD DOWN
22	2	RGB59	SPRING HOLD DOWN
23	1	RGE10	13" INCH BRAKE DRUM

***MEANS NOT SHOWN**



**H&S Manufacturing products are approved for the
FEMA SEAL OF QUALITY**

**P.O. BOX 768, MARSHFIELD, WI 54449
(715) 387-3414 FAX (715) 384-5463
www.hsmfgco.com**