

25GD MANURE SPREADER

OPERATOR'S MANUAL



WARNING

READ AND UNDERSTAND THIS MANUAL BEFORE OPERATING THIS EQUIPMENT. UNSAFE OPERATION OR MAINTENANCE OF THIS EQUIPMENT CAN RESULT IN SERIOUS INJURY OR DEATH.

Revision #01
Starting Serial #411776

HSMFG0714

**Manufactured By
H&S MANUFACTURING CO.,INC.**

**P.O. BOX 768 (715) 387-3414 FAX (715) 384-5463
MARSHFIELD, WISCONSIN 54449**

CONTENTS

Warranty & Warranty Registration Card	1-2
Manufacturers Statement	2
Dealer Pre-Delivery Checklist	3
Dealer Delivery Checklist	5
Safety Information - Be Alert Symbol	7
Safety Information - Explanation of Safety Signs	8
Safety Decals	9
Safety Information - Warning -Owner Must Read and Understand	10
Cap Screw Torque Values	11
Transporting	12
Preparing for Operation	12
Operation	12
Service	12
Adjustments	13-14
Options	15
Lubrication Guide	16
Decal Location & Identification	17-19
Troubleshooting	20
Service Notes	21-22

WARRANTY

H&S WARRANTY

H&S Manufacturing Co., Inc. ("H&S") warrants this product to be free from defect in material and workmanship. Except as noted below, this warranty term is twelve (12) months from the date of delivery of the product to the original purchaser by an authorized H&S dealer. Under this warranty, H&S will repair or replace, at its option, any covered part which is found to be defective in material or workmanship during the applicable warranty term. In no case will the covered repair cost of a part or parts exceed the replacement cost of that part. Warranty service must be performed by H&S or a dealer authorized by H&S to sell and/or service the product involved, which will use only new or remanufactured parts or components furnished by H&S. This warranty includes approved parts and labor to fix the product but does not include, and the purchaser is responsible for, any service call and/or transportation of the product to and from the dealer's place of business, for any premium charged for overtime labor requested by the purchaser, and for any service work not directly related to any defect covered under this warranty. This warranty includes only those components of the product manufactured by H&S. Warranty for any component not manufactured by H&S including, but not limited to, engines, batteries, tires, rims, hydraulic motors, pumps, etc. are covered by the warranty, if any, provided separately by their respective manufacturers.

This warranty in all its parts, is extended solely to the original purchaser of the product, is terminated upon any subsequent transfer or sale from or by the original purchaser and extends no third party benefits or rights whatsoever.

The warranty term for any product used in any commercial, custom, for hire or rental application, is limited to six (6) months from the date of delivery of the product to the original purchaser or the first day of service, whichever comes first, by an authorized H&S dealer.

Floor and side panels utilized in H&S Manure Spreaders are warranted, to the original purchaser, to not wear through or delaminate for 10 years when used to spread normal agricultural manure. The frame, sides, end, floor and roof of forage boxes are warranted to not wear or rust through for 10 years when the forage box is used to transport freshly chopped forage. These specific warranties include only replacement of any defective panel part without any allowance for labor beyond the terms of the standard H&S 12 month warranty.

For commercial, custom for hire, or rental application, warranty is limited to 6 months from the date of delivery to the original purchaser, or the first day in service, whichever is earlier.

This warranty does not include: (1) Any product that has been altered or modified in ways not approved by H&S; (2) Depreciation or damage caused by normal wear, misuse, improper or insufficient maintenance, improper operation, accident or failure to follow the product Operator's Manual recommendations and product decal recommendations; (3) Normal maintenance parts and service; (4) Repairs made with parts other than those available from H&S or performed by anyone other than H&S or a dealer authorized by H&S to sell and/or service the product involved.

To secure warranty service the purchaser must report the product defect to a dealer authorized by H&S to sell and/or service the product involved within the applicable warranty term together with evidence of the warranty start date and make the product available to that dealer within a reasonable period of time.

HERE ARE NO WARRANTIES WHICH EXTEND BEYOND THE DESCRIPTION ON THE FACE OF THIS WARRANTY. H&S and the companies affiliated with it makes no warranties, representations, or promises, express or implied, as to the performance or freedom from defect of its products other than those set forth above and **NO IMPLIED WARRANTY OF MERCHANTABILITY, FITNESS OR FITNESS FOR A PARTICULAR PURPOSE IS MADE. IN NO EVENT WILL THE DEALER, H&S OR ANY COMPANY AFFILIATED WITH H&S BE LIABLE FOR INCIDENTAL OR CONSEQUENTIAL DAMAGES.** The **ONLY REMEDY** the purchaser has in connection with the breach of performance of any warranty on H&S products are those set forth above.

The selling dealer has no authority to make any representation or promise on behalf of H&S, or to modify the terms or limitations of this warranty in any way.

12/13

**FILL OUT
AND MAIL
IMMEDIATELY
TO MAKE
WARRANTY
EFFECTIVE**



WARRANTY REGISTRATION

Date of Purchase _____

Purchaser _____ Address _____

City _____ State _____ Zip _____

Product _____ Model# _____ Serial# _____

Dealer _____ Address _____

City _____ State _____ Zip _____

Signature of Original Buyer

MANUFACTURER'S STATEMENT

Your New H&S Product has been manufactured of the finest quality materials and components. The performance you get from your machine is largely dependent upon how well you read and understand this manual and apply this knowledge. There is a right and a wrong way to do everything. Please do not assume that you know how to operate and maintain your Machine before reading this manual carefully. Keep this manual available for ready reference.

IMPORTANT!

Tear on the dotted line, provide the information requested on the card. The H&S Warranty is valid **“only”** after this card is received and recorded at H&S Manufacturing Co., Inc. Mail at once. No postage is required in the U.S.A.



NO POSTAGE
NECESSARY
IF MAILED
IN THE
UNITED STATES

BUSINESS REPLY MAIL

FIRST CLASS MAIL Permit No.195 Marshfield, WI 54449

POSTAGE WILL BE PAID BY ADDRESSEE

H&S Manufacturing Co., Inc.
PO Box 768
Marshfield, WI 54449-9963



DEALER PRE-DELIVERY CHECK LIST

AFTER COMPLETION, DEALER SHOULD REMOVE AND RETAIN FOR RECORDS

After the Manure Spreader has been completely set-up, check to be certain it is in correct operating order before delivering to the customer. The following is a list of points to inspect. Check off each item as you have made the proper adjustments and found the item operating satisfactorily.

- Manure Spreader was not damaged in shipment. Check for dents and loose or missing parts. Report damage immediately to H&S Manufacturing Co., Inc.
- All bolts and fasteners are tight.
- Manure spreader has been correctly assembled according to instructions in this manual.
- All grease fittings have been lubricated. Gearbox is filled to proper level if applicable.
- Guards and shields are secure.
- Wheels are properly mounted to torque specifications.
- Tires are inflated to correct pressure.
- Drive chain tension and alignment is correct.
- Decals are in place and legible.
- Main apron chains are adjusted properly.
- Main apron operates smoothly.
- Implement and all components are functioning properly.

Model Number _____ Serial # _____

Dealer's Name _____

Inspection Date _____

Signature of Pre-Delivery Inspector _____

(Remove Dealer File Copy At Perforation)

Intentionally Left Blank

DEALER DELIVERY CHECK LIST

AFTER COMPLETION, DEALER SHOULD REMOVE AND RETAIN FOR RECORDS

This check list that follows is an important reminder of valuable information that should be passed on to the customer at the time this Manure Spreader is delivered.

Check off each item as you explain it to the customer.

This delivery check list, when properly filled out and signed assures the customer that the Pre-delivery service was satisfactorily performed.

- Explain to the customer that the pre-delivery inspection was made.
- Explain to the customer all the safety precautions they must exercise when operating this unit.
- Explain recommended loads for different types of materials.
- Explain to customer that regular lubrication is required for proper operation and long life of machine.
- Show customer the lubrication section of Owner's Manual.
- Give the customer Owner's Manual and make sure they read and understand all operating and service instructions.
- Have the customer sign a completed "Warranty Registration", and mail it.

Date Delivered _____

Dealer's Name _____

By _____

Signature of Original Buyer _____

Note: Warranty is not valid until warranty card is completed and returned to H&S Mfg. Co., Inc.

Intentionally Left Blank

SAFETY INFORMATION



**BE
ALERT!**

**YOUR SAFETY
IS INVOLVED.**

THIS SYMBOL IS USED THROUGHOUT THIS BOOK WHENEVER YOUR PERSONAL SAFETY IS INVOLVED. TAKE TIME TO BE CAREFUL. REMEMBER: THE CAREFUL OPERATOR IS THE BEST OPERATOR. MOST ACCIDENTS ARE CAUSED BY HUMAN ERROR. CERTAIN PRECAUTIONS MUST BE OBSERVED TO PREVENT THE POSSIBILITY OF INJURY OR DAMAGE.

H&S MANUFACTURING CO., INC.

SAFETY INFORMATION

RECOGNIZE SAFETY INFORMATION

This is the safety-alert symbol. When you see this symbol on your machine or in this manual, be alert to the potential for personal injury.

Follow recommended precautions and safe operating practices.



UNDERSTAND SIGNAL WORDS

A signal word; DANGER, WARNING, or CAUTION - is used with the safety-alert symbol. DANGER identifies the most serious hazards.

Safety signs with signal word DANGER or WARNING are typically near specific hazards.

General precautions are listed on CAUTION safety signs.



WARNING



CAUTION



FOLLOW SAFETY INSTRUCTIONS

Carefully read all safety messages in this manual, and all safety signs on your machine. Follow all recommended precautions and safe operating procedures.

Keep signs in good condition. Immediately replace any missing or damaged signs.

OBSERVE MAXIMUM TRANSPORT SPEED

The maximum transport speed for this implement is 32 km/h (20 m.p.h.).

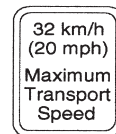
Some tractors are capable of operating at speeds that exceed the maximum transport speed of this implement. Regardless of the maximum speed capability of the tractor being used to tow this implement, do not exceed the implement's maximum transport speed.

Exceeding the implements maximum transport speed can result in:

- * Loss of control of the tractor/implement combination
- * Reduced or no ability to stop during braking
- * Implement tire failure
- * Damage to the implement structure or its components

Use additional caution and reduce speed when towing under adverse surface conditions, when turning, and when on inclines.

Do not attempt transport if the fully loaded implement weighs more than 1.5 times the weight of the tractor.



SAFETY INFORMATION

	<p style="text-align: center;">⚠ WARNING</p> <p style="text-align: center;">DO NOT REMOVE SHIELDS</p> <p style="text-align: center;">MOVING PARTS INSIDE</p>
1494B	

	<p style="text-align: center;">⚠ DANGER</p> <p style="text-align: center;">NEVER ALLOW RIDERS ON THIS MACHINE</p>
9194B	

	<p style="text-align: center;">⚠ DANGER</p> <p style="text-align: center;">STAY CLEAR OF BEATER IF SPREADER IS MOVING BEATER SHUT OFF COULD ACCIDENTALLY BE ENGAGED FAILURE TO HEED THIS WARNING MAY RESULT IN PERSONAL INJURY OR DEATH KEEP CLOTHING, YOURSELF AND OTHERS WELL CLEAR</p>
82697A	

	<p style="text-align: center;">⚠ WARNING</p> <p style="text-align: center;">DO NOT OPERATE THIS EQUIPMENT IF THIS DECAL IS EXPOSED. REPLACE SAFETY SHIELDS.</p>
1494A	

	<p style="text-align: center;">⚠ WARNING</p> <p style="text-align: center;">DO NOT REMOVE SHIELDS</p> <p style="text-align: center;">MOVING PARTS INSIDE</p>
1494K	

 <p style="text-align: center;">WARNING</p>	<p style="text-align: center;">HELP AVOID INJURY</p> <ul style="list-style-type: none"> • READ & UNDERSTAND THE OPERATORS MANUAL PROVIDED WITH THIS MACHINE. IF MISPLACED CALL H & S MANUFACTURING AT 715-387-3414 WITH MODEL AND SERIAL NUMBER. • UNDERSTAND ALL SAFETY WARNINGS AND FUNCTION OF CONTROLS. • KEEP SAFETY DEVICES IN PLACE AND WORKING. • KEEP YOURSELF AND OTHERS WELL CLEAR OF MOVING PARTS. • DISCONNECT ALL POWER BEFORE SERVICING OR CLEANING THIS MACHINE. • DO NOT EXCEED 20 MPH
72203A	

 <p style="text-align: center;">CAUTION!</p>	<p style="text-align: center;">NO STEP</p> <p style="text-align: center;">STAY CLEAR</p>
106-4176	

SAFETY INFORMATION

TRACTOR:

This operators manual uses the term “Tractor” when identifying the power or the towing source.



TO PREVENT SERIOUS INJURY OR DEATH

BEFORE YOU ATTEMPT TO OPERATE THIS EQUIPMENT, READ AND STUDY THE FOLLOWING INFORMATION. IN ADDITION, MAKE SURE THAT EVERY INDIVIDUAL WHO OPERATES OR WORKS WITH THIS EQUIPMENT, WHETHER FAMILY MEMBER OR EMPLOYEE, IS FAMILIAR WITH THESE SAFETY PRECAUTIONS.

KNOW HOW TO STOP UNLOADING MECHANISM BEFORE STARTING IT.

If the machine becomes clogged, Stop the tractor engine, remove ignition key, and allow all mechanisms to stop before cleaning or working on the machine.

DO NOT get off the tractor while the spreader is in operation.

DO NOT attempt to perform maintenance or repair with tractor running.

DO NOT step up on machine at any time. **NEVER** manually feed material into the beaters.

DO NOT allow minors to operate or be near the machine.

DO NOT ALLOW PERSONNEL OTHER THAN THE QUALIFIED OPERATOR NEAR THE MACHINE.

DO NOT clean, adjust, or lubricate the machine when any part is in operation.

Keep hands, feet, and clothing away from beaters when they are revolving.

Loose or floppy clothing should not be worn by the operator.

Be sure the machine is clear of people, tools, and other objects before engaging the apron & beater.

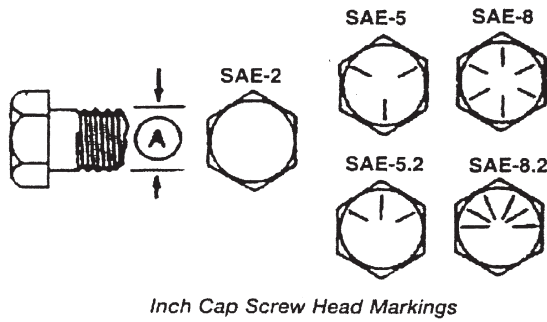
NEVER start manure spreader until all guards and safety shields are secured in place.

H&S MFG. CO. INC. always takes the operator and his safety into consideration and guards expose moving parts for his protection. However, some areas cannot be guarded or shielded in order to assure proper operation. In addition, the operators manual and decals on the machine itself warn you of further danger and should be read and observed closely.

Study The Above Safety Rules

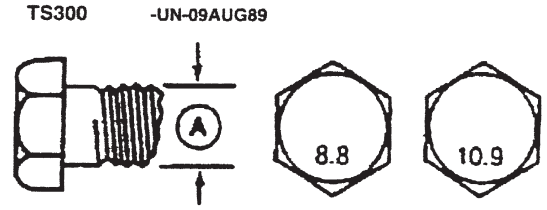
ATTENTION - BE ALERT - YOUR SAFETY IS INVOLVED

CAP SCREW TORQUE VALUES



Inch Cap Screw Head Markings

-UN-09AUG89
TS299



Metric Cap Screw Head Markings

INCH CAP SCREW TORQUE VALUES

Bolt Diameter Wrench (A) Size	Cap Screw Grade					
	SAE 2		SAE 5		SAE 8	
	N-m	lb.-ft	N-m	lb.-ft	N-m	lb.-ft
1/4" 7/16"	7 (5)		11 (8)		16 (12)	
5/16" 1/2"	14 (10)		23 (17)		33 (24)	
3/8" 9/16"	24 (18)		41 (30)		54 (40)	
7/16" 5/8"	41 (30)		68 (50)		95 (70)	
1/2" 3/4"	61 (45)		102 (75)		142 (105)	
9/16" 13/16"	88 (65)		142 (105)		203 (150)	
5/8" 15/16"	122 (90)		197 (145)		278 (205)	
3/4" 1-1/8"	217 (160)		353 (260)		495 (365)	
7/8" 1-5/16"	224 (165)		563 (415)		800 (590)	
1" 1-1/2"	332 (245)		848 (625)		1193 (880)	
1-1/4" 1-7/8"	665 (490)		1492 (1100)		2393 (1765)	

METRIC CAP SCREW TORQUE VALUES

Bolt Diameter Wrench (A) Size	Markings on Cap Screw Heads			
	8.8		10.9	
	N-m	lb.-ft	N-m	lb.-ft
5 mm 8 mm	6 (4.5)		9 (6.5)	
6 mm 10 mm	10 (7.5)		15 (11)	
8 mm 13 mm	25 (18)		35 (26)	
10 mm 16 mm	50 (37)		75 (55)	
12 mm 18 mm	85 (63)		130 (97)	
16 mm 24 mm	215 (159)		315 (232)	
20 mm 30 mm	435 (321)		620 (457)	
24 mm 36 mm	750 (553)		1070 (789)	
30 mm 46 mm	1495 (1103)		2130 (1571)	



CAUTION: Use only metric tools on metric hardware. Other tools may not fit properly. They may slip and cause injury.

DO NOT use these values if a different torque value tightening procedure is listed for a specific application. Torque values listed are for general use only. Check tightness of cap screws periodically.

Shear bolts are designed to fail under predetermined loads. Always replace shear bolts with identical grade. Fasteners should be replaced with the same or higher grade. If higher grade fasteners are used, these should only be tightened to the strength of the original.

Make sure fastener threads are clean and you properly start thread engagement. This will prevent them from failing when tightening.

Tighten plastic insert or crimped steel-type lock nuts to approximately 50 percent of amount shown in chart. Tighten toothed or serrated-type lock nuts to full torque value.

TRANSPORTING

When transporting on the highway, regularly clean the reflective tape at the rear of the spreader. There is a holder provided for your SMV sign.

PREPARING FOR OPERATION

1. Check for proper assembly and adjustment and make sure that all bolts are tightened. Securely retighten after a few hours of operation, as bolts can loosen up on new machinery. Check wheel bolts upon delivery and periodically thereafter. Wheel bolts should be tightened at 85-95 ft./lbs. of torque.
2. Check the tires and inflate to the recommended pressure of 14 PSI.
3. Attach the spreader to the tractor as described in the following sections.
4. Before operation pull slowly to make sure that the spreader is operating and lubricated properly.

ATTACHING TO THE TRACTOR

Fasten the spreader hitch to the drawbar with a **hitch pin with a safety locking device**. Use 1/2" diameter hitch pin to pull spreader.

OPERATION

LOADING

In freezing weather make sure the apron is not frozen to the floor. Also check to make sure that there are no chunks of manure frozen to the floor. Begin loading the spreader at the front end and work toward the rear until loading is completed. Loading this way permits the materials to be spread uniformly. Loading front to rear is particularly important. Do not load up to beater; leave approximately 6-12" in front of beater. When hauling extremely heavy material it may be necessary to reduce the load size. Never load material onto the beater. Do use extra sideboards. Do not overload spreader. Overloading decreases spreading effectiveness. Do not load above the beater.

HOW TO ENGAGE SPREADER

Make sure the tractor is shut off and all motion has stopped. To engage the beater pull the beater lever on the right hand side of the spreader forward. This will release the latch. Allow the lever to travel rearward to engage the beater. To engage the apron pull the apron lever on the left hand side of the spreader forward. This will release the latch. Allow the lever to travel rearward to engage the apron. When forward motion begins the spreader will operate. See illustration on next page.

SPREADING

1. **DO NOT back up with beater or apron engaged or damage to drives may occur.**
2. Do not operate the spreader with a ground speed greater than 4 M.P.H.
3. Only operate spreader with the beater and apron both engaged until spreader is almost empty.
4. Beater may be disengaged when spreader is almost empty to speed up clean out time.

SERVICE

Be certain to shut off tractor, and disengage the apron and beater drives before servicing. Keep loose clothing away from all chain and gear drives as well as the other moving parts. Keep off the equipment when in use, and keep all safety shields in place; do not attempt to clean, grease or lubricate while the machine is running. **NEVER** allow riders in or on the machine.

ADJUSTMENTS

APRON

Adjust the apron by tightening the adjusting bolts located at the front of the spreader until the apron chain rests lightly on top of the chain guides located below the axle.

NOTE: Tighten the adjusting bolts on each front corner equally so that the apron slats run parallel with the ends of the bed. The apron will be damaged if the machine is operated with one end of the apron slats running ahead of the opposite end. Do not tighten the apron chain excessively.



Tightener Bolt

Beater and Apron Engaged

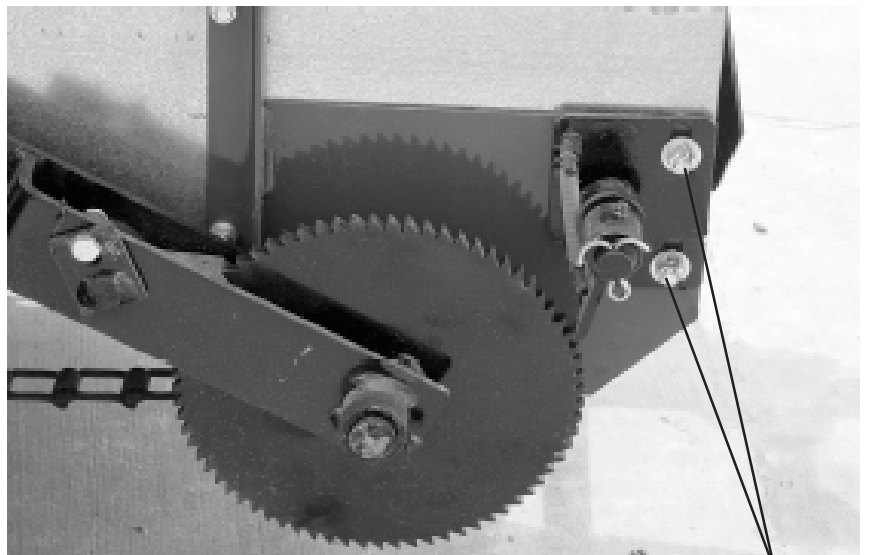


Apron and Beater Disengaged



APRON DRIVE RATCHET

Ratchet should be set to take two teeth while under normal operation. If adjustment is needed, loosen two bolts (A) securing holding dog bracket. Adjust bracket in slotted holes. Re-tighten bolts when proper adjustment is reached.



Shields Removed For Clarity

A

ADJUSTMENTS



Direction of Travel



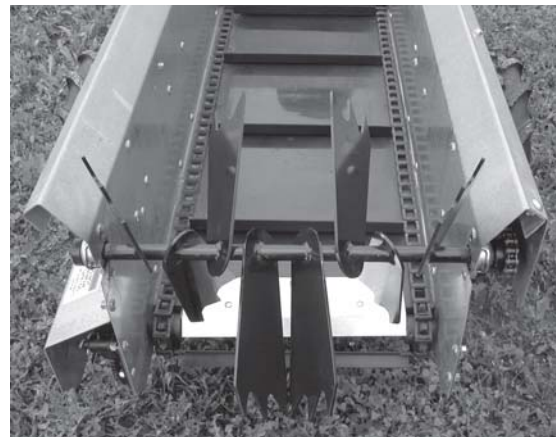
BEATER DRIVE CHAIN

Tightening of the chain may be done by loosening the idler sprocket bolt (B), by sliding slider sprocket assembly towards the front of the spreader. Then re-tighten the idler sprocket bolt. Over tightening of the beater chain drive will cause engagement misalignment.

B

BEATER

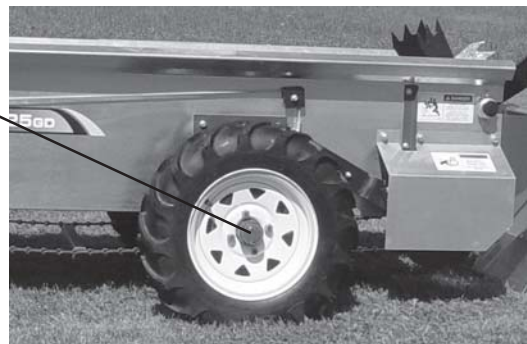
The beater paddles are welded to the beater shaft, replacement of these paddles should be performed by an authorized service person who is a competent welder. When replacing paddles, the sharp edge of the teeth must lead in the direction of beater travel.



ADJUSTING WHEEL BEARINGS

To adjust the wheel hubs, tighten the castellated nut on the spindle to the point where there is no end-play and a slight drag on the bearings, then replace the cotter key with a new one of the correct size.

FAILURE TO FOLLOW THE RECOMMENDED ADJUSTMENTS WILL VOID WARRANTY.



OPTIONS

REAR PAN

The rear pan shown below on the 25 is optional equipment.



LUBRICATION GUIDE

The operator should become familiar with all lubrication points and establish a systematic routine to insure complete and quick lubrication of the machine.

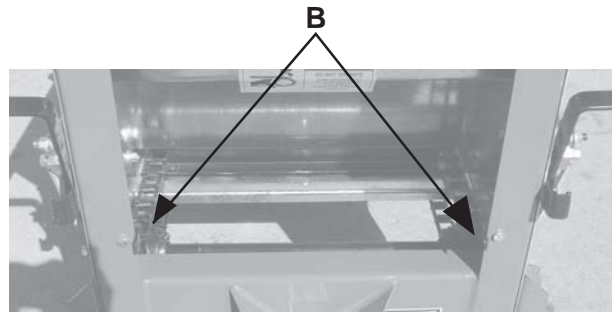
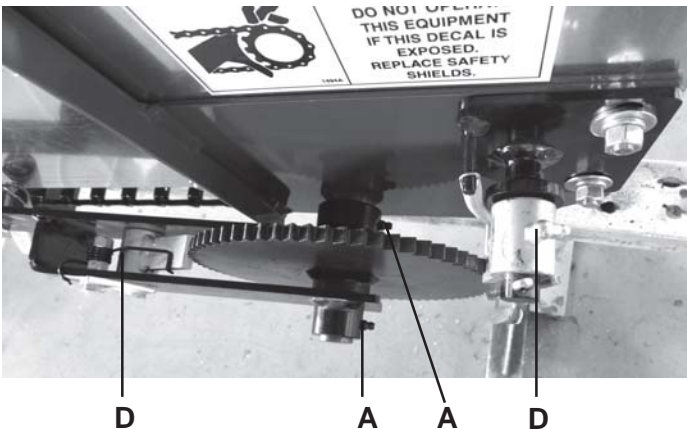
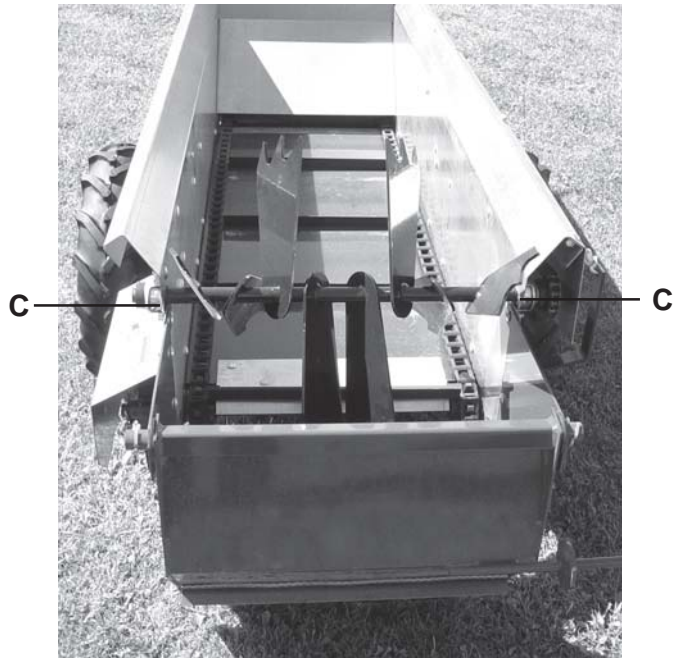
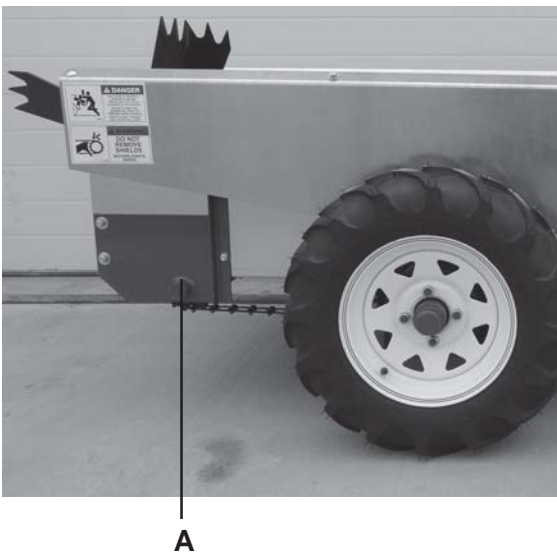
DRIVE CHAIN

Lubricate the drive chain with a light machine oil. Keep chains aligned with sprockets. This will lengthen the life of the sprockets and chain. Lubricate chains often.

GREASE FITTINGS

There are 9 grease fittings on this spreader. If these are lubricated properly and often enough it will prolong the life of the spreader. Grease every 20 hours, also **before storage and after power washing**. Make certain that the grease fittings are free of paint and dirt, force a high quality grease into them until the grease comes out around the shaft on the sleeve type bearings. Wipe off grease to prevent the accumulation of chaff and grit around the bearings.

- A. (3) Apron Drive Shaft
- B. (2) Front Apron Idler Sprockets
- C. (2) Beater
- D. (2) Ratchet Dogs



Shields Removed For Clarity

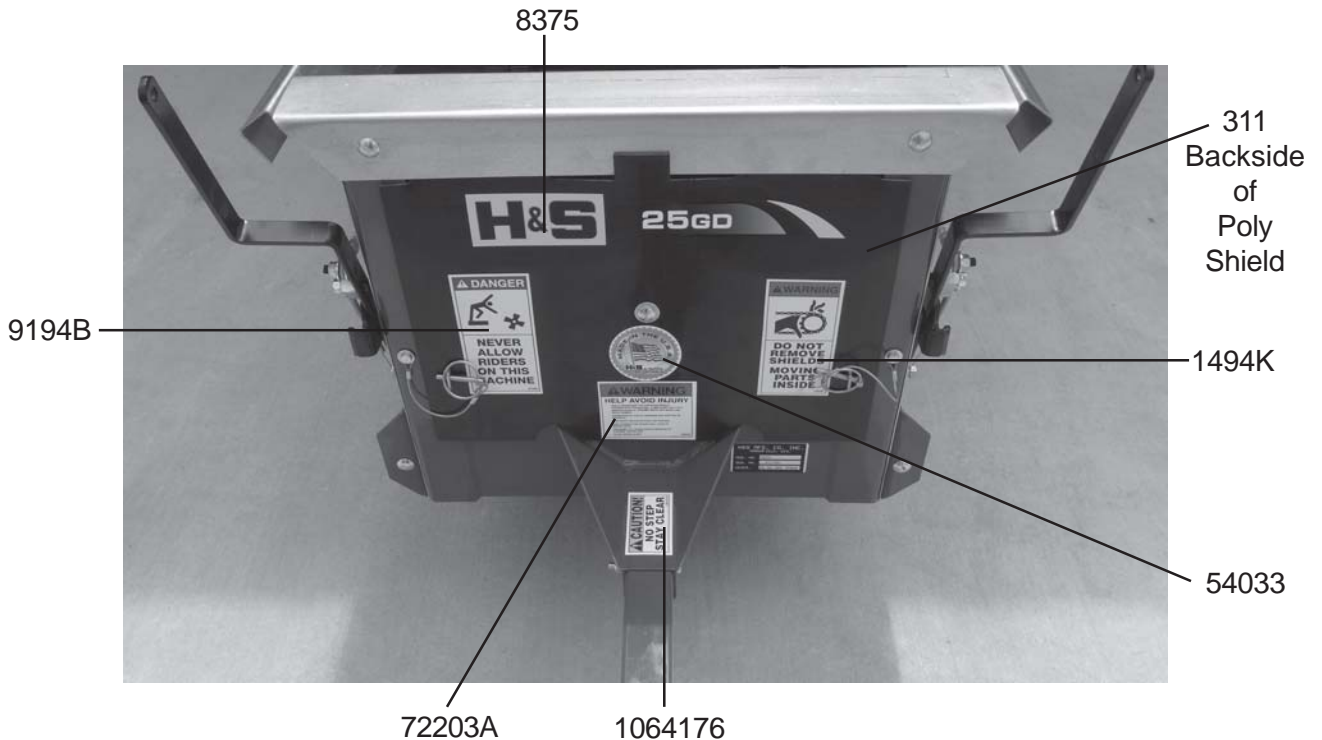
DECAL LOCATION

Your Manure Spreader was manufactured with operator safety in mind. Located on the Manure Spreader are various decals to aid in operation, and warn of danger or caution areas. Pay close attention to all the decals on your Manure Spreader.

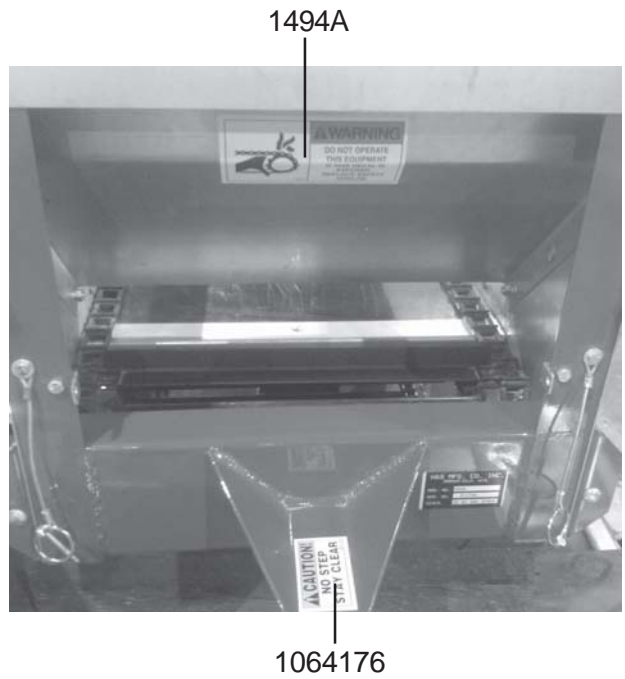
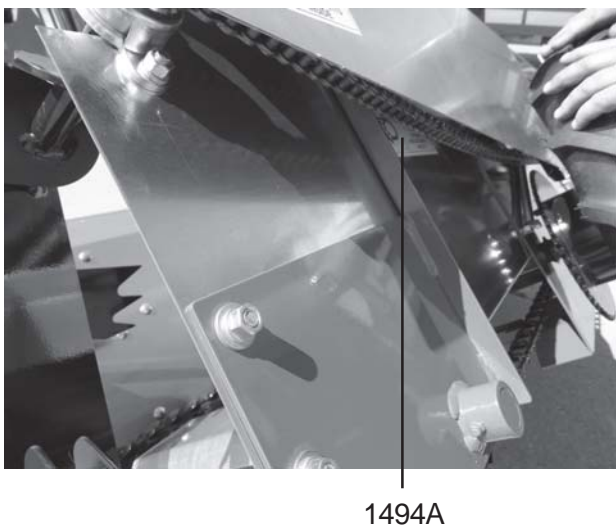


DO NOT REMOVE ANY OF THESE DECALS. IF DECALS ARE LOST, DAMAGED, OR IF MANURE SPREADER IS REPAINTED, REPLACE DECALS. REMEMBER: DECALS ARE FOR YOUR PROTECTION AND SAFETY.

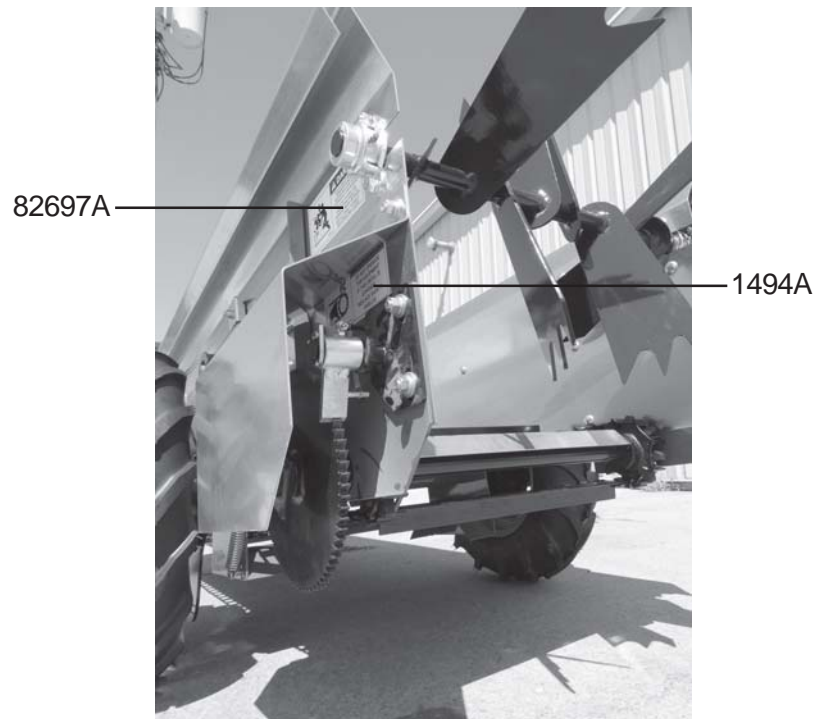
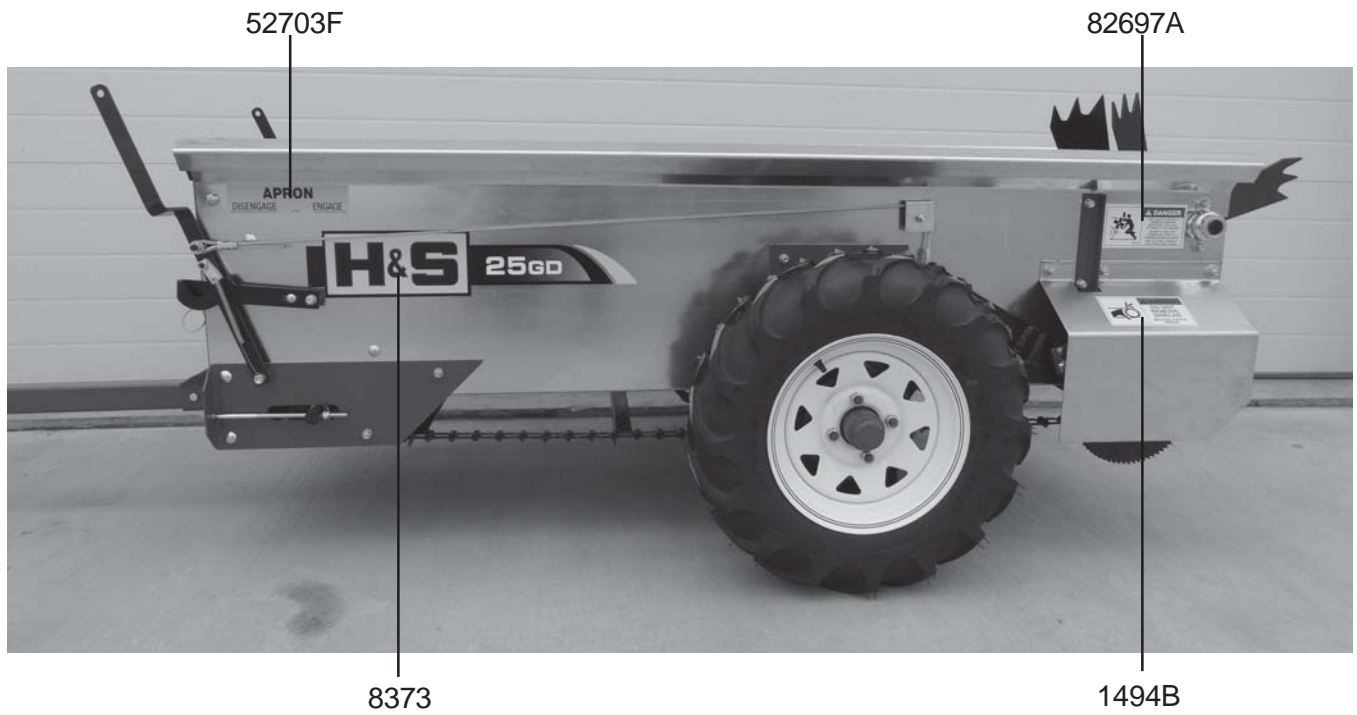
<u>PART NO.</u>	<u>QTY.</u>	<u>DESCRIPTION</u>
311	1	Patent Numbers
1494A	3	Warning - Do Not Operate
1494B	2	Warning - Do Not Remove Shields
1494K	1	Warning - Do Not Remove Shields
8373	1	Logo/Model Decal - Left
8374	1	Logo/Model Decal - Right
8375	1	Logo/Model Decal - Front
9194B	1	Danger - Never Allow Riders
52703E	1	Beater Engage/Disengage
52703F	1	Apron Engage/Disengage
54033	1	3" U.S.A.
66076	2	Located Behind Shield
72203A	1	Warning - Help Avoid Injury
82697A	1	Danger Stay Clear
093020	8	Grease (not shown)
1064176	1	Caution - No Step



DECAL LOCATION



DECAL LOCATION



TROUBLESHOOTING



WARNING:
MAKE SURE THAT THE TRACTOR IS SHUT OFF AND SPREADER CAN NOT MOVE BEFORE SERVICING THE MANURE SPREADER. MAINTENANCE AND REPAIR SERVICE WORK TO BE PERFORMED BY A QUALIFIED SERVICE PERSON ONLY.

TROUBLE...	POSSIBLE CAUSE...	POSSIBLE REMEDY...
BEATER DOES NOT TURN	BEATER NOT ENGAGED DRIVE CHAIN RUN OFF OR BROKEN BEATER SPROCKET KEY SHEARED OR MISSING BEATER SHAFT BROKEN NO FORWARD MOTION TO DRIVE SPREADER	ENGAGE BEATER CHECK DRIVE CHAIN FOR BENT OR BROKEN LINKS REPLACE KEY CHECK SHAFT REPLACE IF NEEDED DRIVE FORWARD
APRON DOES NOT TURN	APRON NOT ENGAGED CAM ROLLER NOT CONTACTING CAM OR MISSING RATCHET DOGS OUT OF ADJUSTMENT DOGS NOT CONTACTING RATCHET DOG SPRINGS MISSING OR BROKEN KEYS ON MAIN SHAFT SHEARED OR MISSING NO FORWARD MOTION TO DRIVE SPREADER	ENGAGE APRON CHECK ALIGNMENT OR REPLACE IF MISSING MAKE PROPER ADJUSTMENT REPLACE MISSING OR BROKEN DOGS REPLACE MISSING OR BROKEN SPRINGS REPLACE SHEARED OR MISSING KEYS DRIVE FORWARD
BEATER DOES NOT DISENGAGE	CABLE OUT OF ADJUSTMENT OR BROKEN	ADJUST CABLE OR REPLACE IF BROKEN
APRON DOES NOT DISENGAGE	CABLE OUT OF ADJUSTMENT OR BROKEN	ADJUST CABLE OR REPLACE IF BROKEN
WHEELS WILL NOT TURN	SPREADER OVER LOADED MATERIAL WEDGED IN BEATER TRACTION TIRES INSTALLED INCORRECT DIRECTION	UNLOAD TO MANUFACTURER SPECIFICATIONS REMOVE WEDGED MATERIAL INSTALL CORRECTLY

SERVICE NOTES

H&S MFG. CO.

products approved

for the

FEMA

SEAL OF QUALITY

