



# 25 GROUND DRIVE MANURE SPREADER

# PARTS BOOK



Revision #01  
Starting Serial #511799

HSMFG0814

Part #67074

Manufactured By  
**H&S MANUFACTURING CO.,INC.**

P.O. BOX 768 (715) 387-3414 FAX (715) 384-5463  
MARSHFIELD, WISCONSIN 54449

# CONTENTS

Instructions for Ordering Parts. ....	1
Figure 1 - Main Frame and Component Parts. ....	2-5
Figure 2 - Optional Rear Pan. ....	6
Parts Notes. ....	7

# **INSTRUCTIONS FOR ORDERING PARTS**

All service parts should be ordered through your authorized H&S dealer. They will be able to give you faster service if you will provide them with the following

1. Model & Serial number is located on the right side frame behind the transport wheel.
2. All reference to left or right apply to the machine as viewed from the rear.
3. Parts should not be ordered from illustration only. Please order by complete part number.
4. If your dealer has to order parts - give shipping instructions:

VIA truck - large pieces (please specify local truck lines)

VIA United Parcel Service (include full address)

H&S MFG. CO. INC.	
MARSHFIELD, WIS.	
MOD. NO.	<input type="text"/>
SER. NO.	<input type="text"/>
DESCR.	<input type="text"/>

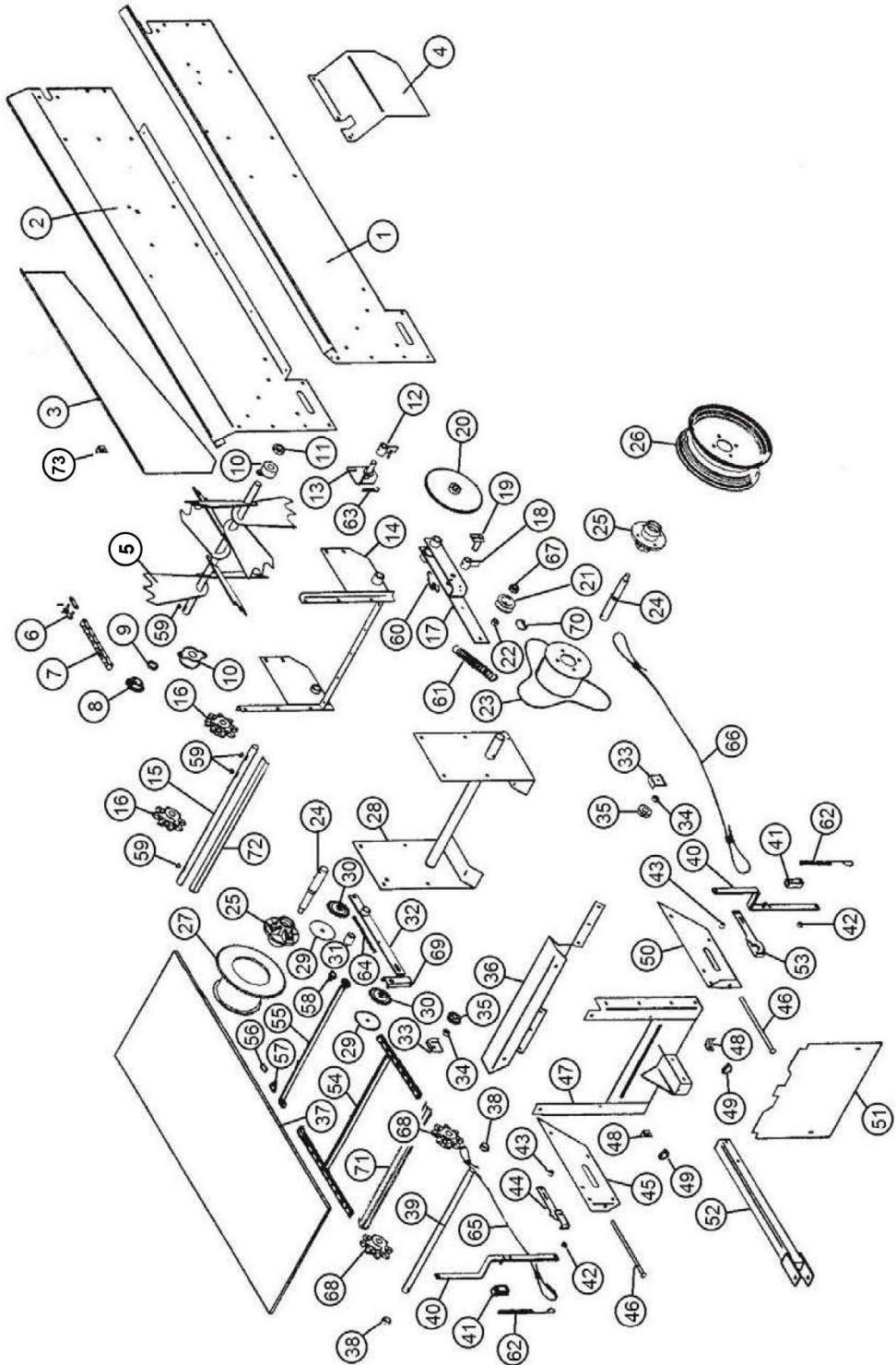
PLEASE RECORD NUMBERS FOR YOUR UNIT FOR QUICK REFERENCE

## **ABOUT IMPROVEMENTS**

H&S IS CONTINUALLY STRIVING TO IMPROVE IT'S PRODUCTS

We must therefore, reserve the right to make improvements or changes whenever it becomes practical to do so without incurring any obligation to make changes or additions to the equipment previously sold.

**FIGURE 1**  
**MAIN FRAME AND COMPONENT PARTS**



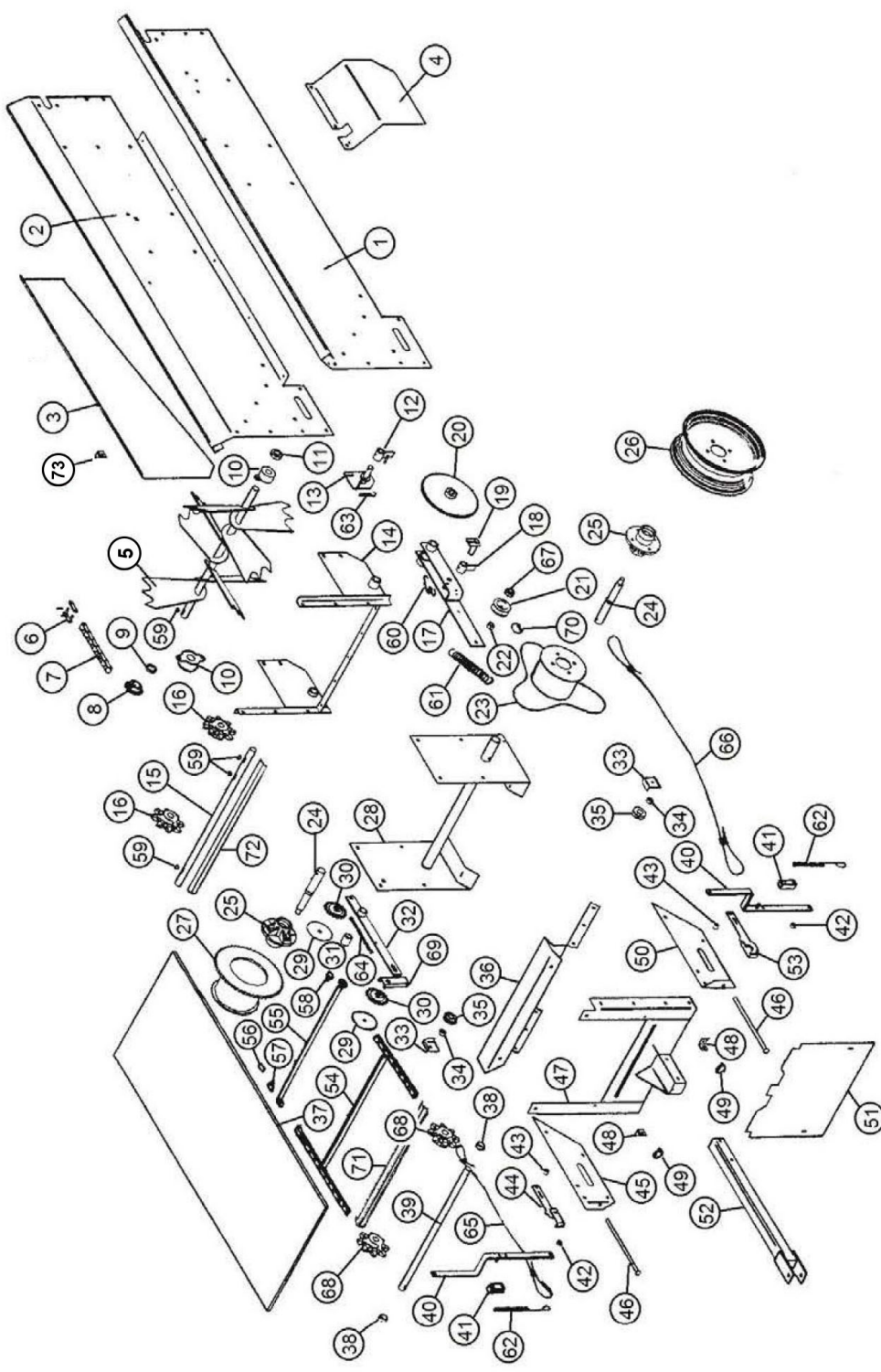
# FIGURE 1

## MAIN FRAME AND COMPONENT PARTS

<u>ITEM</u>	<u>PART #</u>	<u>DESCRIPTION</u>
1	25G18	LH SPREADER SIDE
2	25G19	RH SPREADER SIDE
3	25G20	BEATER DRIVE SHIELD
4	25G17	RATCHET SHIELD
5	25G6	BEATER
6	X61	#50 CONNECTOR LINK
7	25G38	#50 CHAIN 147 PITCH
8	4C4	13T SPROCKET
9	X28	SPACER
10	25G51	BEARING
11	L4C4	COLLAR
12	25G13	HOLDING DOG W/ 90 DEGREE ZERK
13	25G12	DOG PLATE
14	25G9	BACK BRACKET
15	25G29	APRON SHAFT
16	LI0R24	APRON CHAIN SPROCKET
17	25G7	CAM
18	5N51	DRIVE DOG W/ 45 DEGREE ZERK
19	5N26	DOG PIN
20	25G10	RATCHET GEAR
21	25G66	CAM ROLLER
*	25G67	CAM ROLLER COMPLETE
22	23N94	SPACER
23	25G4	HUB
24	25G30	SPINDLE
25	25G40	HUB-ROAD WHEELS
*	BFR273	SEAL
*	BFR274	BEARING
*	BFR275	RACE
*	25G42	STUD BOLT
*	CAT14	STUD NUT
*	BFR64	SPINDLE NUT
*	CAT13	HUB CAP
*	25G25	SPINDLE WASHER
*	YPCT05015	COTTER PIN, 5/32" X 1-1/4"
26	BFR280A	WHEEL
*	25G43	TIRE 6 X 12
27	25G5	RIGHT HUB
28	25G3	UNDER AXLE
29	25G22	CHAIN WASHER
30	K101	SPROCKET
31	25G31	PIVOT BUSHING

**NOTE: \* MEANS NOT SHOWN**

**FIGURE 1**  
**MAIN FRAME AND COMPONENT PARTS**



# FIGURE 1

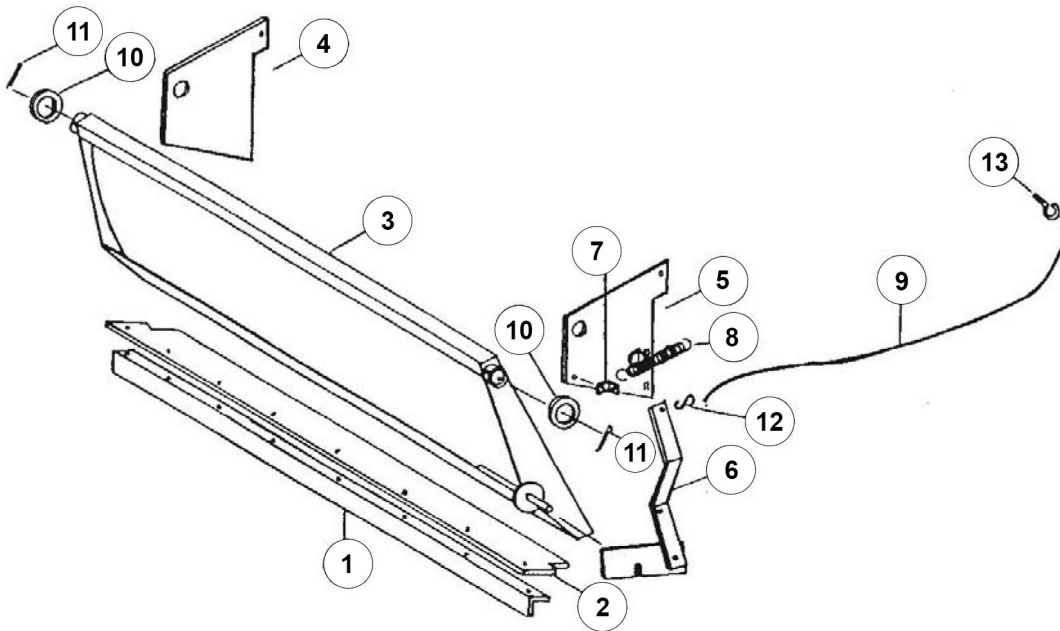
## MAIN FRAME AND COMPONENT PARTS

<u>ITEM</u>	<u>PART#</u>	<u>DESCRIPTION</u>
32	25G8	ENGAGEMENT ARM
33	25G21	PULLEY MOUNT
34	ST81	SPACER
35	BFR292	POLY PULLEY
36	25G16	FRONT PANEL
37	25G36	FLOOR
38	25G26	SPACER
39	25G28	FRONT SHAFT
40	25G11	CONTROL HANDLE
41	23N282	SHIFTER DOG
42	ST77	SPACER
43	S70	SPACER
44	25G14	RIGHT CONTROL BAR
45	25G24	RIGHT CHAIN TIGHTENER
46	YBHH12250	BOLT, 3/8" X 9" GR. 2 FULL THREAD
47	25G2	FRONT END
48	R26	SHIELD ANGLE
49	S122	LANYARD, CLIP PIN CABLE
50	25G23	LEFT CHAIN TIGHTENER
51	25G34	FRONT POLY SHIELD
52	25G1	POLE
53	25G15	LEFT CONTROL BAR
54	25G46	COMPLETE APRON CHAIN
55	25G47	APRON SLAT
56	25G48	CONNECTOR LINK
57	25G49	ATTACHMENT LINK RH
58	25G50	ATTACHMENT LINK LH
59	5B10	1/4" X 1" WOODRUFF KEY
60	23N186	SPRING-DOG FRONT
61	K103	SPRING-ROPE RETURN
62	23N284	SPRING-DOG FRONT
63	12R3	SPRING
64	25G41	SPRING
65	25G44	CABLE 47"
66	25G45	CABLE 62"
67	12V52	RADIAL BEARING ONLY
68	L10R20	FRONT APRON CHAIN SPROCKET
69	25G53	CHAIN GUIDE
70	25G68	SNAP RING
71	25G65	FRONT FLOOR PROTECTOR
72	25G64	REAR FLOOR PROTECTOR
*	S522	MANUAL HOLDER
73	YNPC12005	NUT, PANEL CAGE, 3/8-16

**NOTE: \* MEANS NOT SHOWN**

## FIGURE 3

### OPTIONAL REAR PAN



<u>ITEM</u>	<u>PART #</u>	<u>DESCRIPTION</u>
1	25G59	PAN ANGLE
2	25G61	PAN RUBBER
3	25G56	PAN
4	25G60	LH PAN PLATE
5	25G57	RH PAN PLATE
6	25G58	PAN HANDLE
7	R26	SPRING ANGLE
8	R27	PAN HANDLE SPRING
9	25G62	TRIP ROPE
10	R3	PAN SPACER
11	YPCT06020	COTTER PIN, 3/16" X 2"
12	R31	S HOOK
13	YBTE08005	TURNED EYE BOLT, 1/4" X 1" FULL THREAD





**H&S MFG. CO.**

products approved

for the

**FEMA**

**SEAL OF QUALITY**

