



2957 PARTS BOOK



WARNING

READ AND UNDERSTAND THIS MANUAL BEFORE OPERATING THIS EQUIPMENT. UNSAFE OPERATION OR MAINTENANCE OF THIS EQUIPMENT CAN RESULT IN SERIOUS INJURY OR DEATH.

Revision #01

Starting Serial #R2701F0196

HSMFG0421

Part #87746

Manufactured by
H&S MANUFACTURING CO., INC.
2608 S. HUME AVE. MARSHFIELD, WI 54449
(715) 387-3414 | hsmfgco.com



TABLE OF CONTENTS

8 PARTS

8.0	INSTRUCTIONS FOR ORDERING PARTS.....	8.0
8.1	FRAME ASSEMBLY.....	8.1-8.2
8.2	614 HUB ASSEMBLY.....	8.3
8.3	BALE CRADLE ASSEMBLY.....	8.4
8.4	CRADLE ROLLER ASSEMBLY.....	8.5
8.5	DRIVELINE/ROTOR ASSEMBLY.....	8.6-8.7
8.6	DEFLECTOR ASSEMBLY.....	8.8-8.9
8.7	VALVE SHIFTER.....	8.10-8.11
8.8	ACCESS DOOR.....	8.12
8.9	LOAD FRAME ASSEMBLY.....	8.13-8.14
8.10	CRADLE HYDRAULICS.....	8.15-8.16
8.11	LIFT CYLINDER HYDRAULICS.....	8.17
8.12	HYDRAULIC DEFLECTOR KIT (OPTIONAL).....	8.18-8.19
8.13	LIGHT KIT (OPTIONAL).....	8.20
8.14	LOWER DEFLECTOR (OPTIONAL).....	8.21
	NOTES.....	8.22

INSTRUCTIONS FOR ORDERING PARTS

All service parts should be ordered through your authorized H&S dealer. They will be able to give you faster service if you will provide them with the following:

1. Model & The serial number plate is located on the back end of the Bale Processor, just above the manual canister, on the left side of the processor (viewed from the back).
2. All reference to left or right apply to the machine as viewed from the rear.
3. Parts should not be ordered from illustration only. Please order by complete part number.
4. If your dealer has to order parts - please give shipping instructions.

VIA truck - large pieces (please specify local truck lines)

VIA United Parcel Service (include full address)

ABOUT IMPROVEMENTS

H&S IS CONTINUALLY STRIVING TO IMPROVE IT'S PRODUCTS

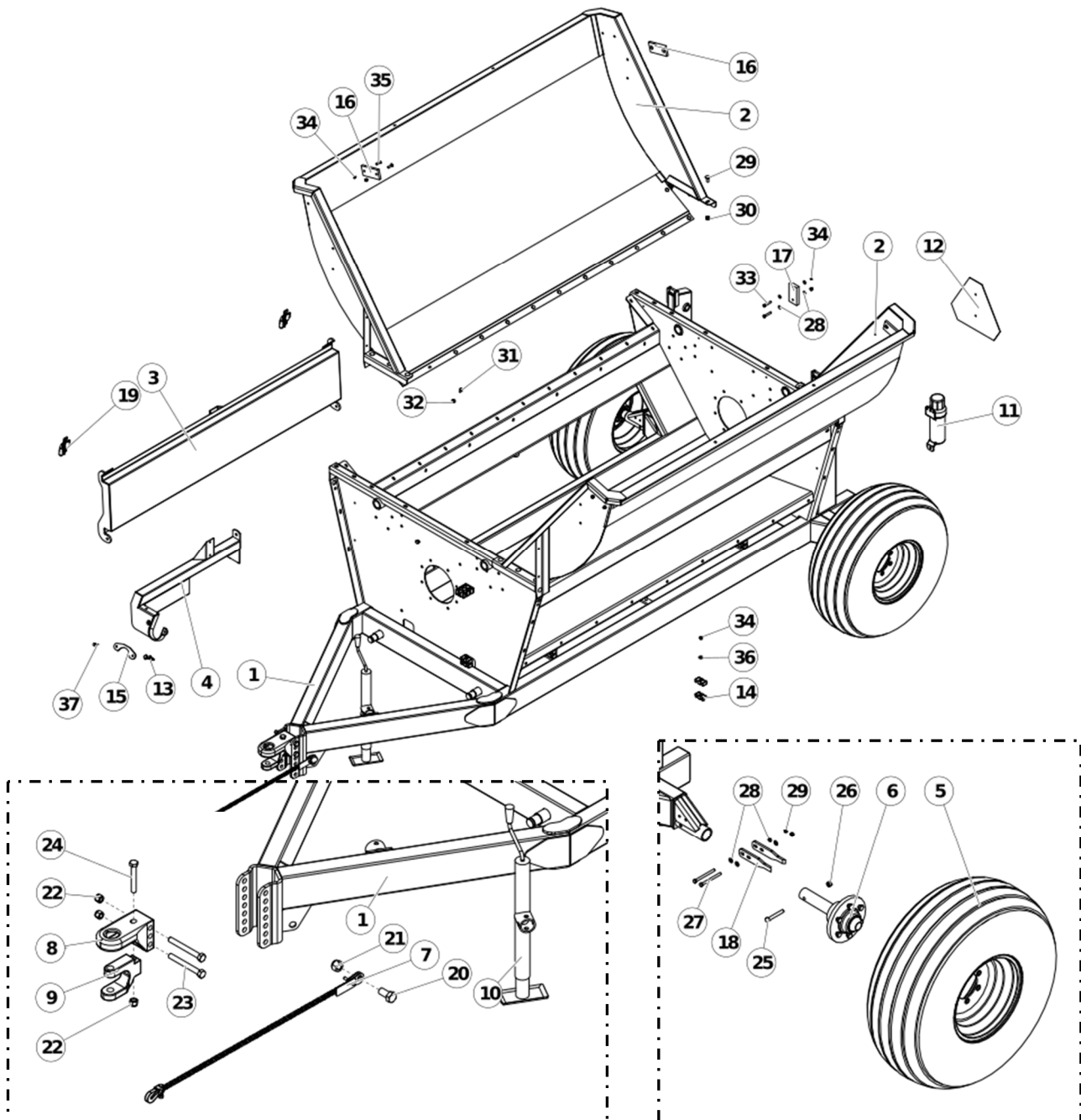
We must therefore, reserve the right to make improvements or changes whenever it becomes practical to do so without incurring any obligation to make changes or additions to the equipment previously sold.

8. Parts

8.1 Frame Assembly

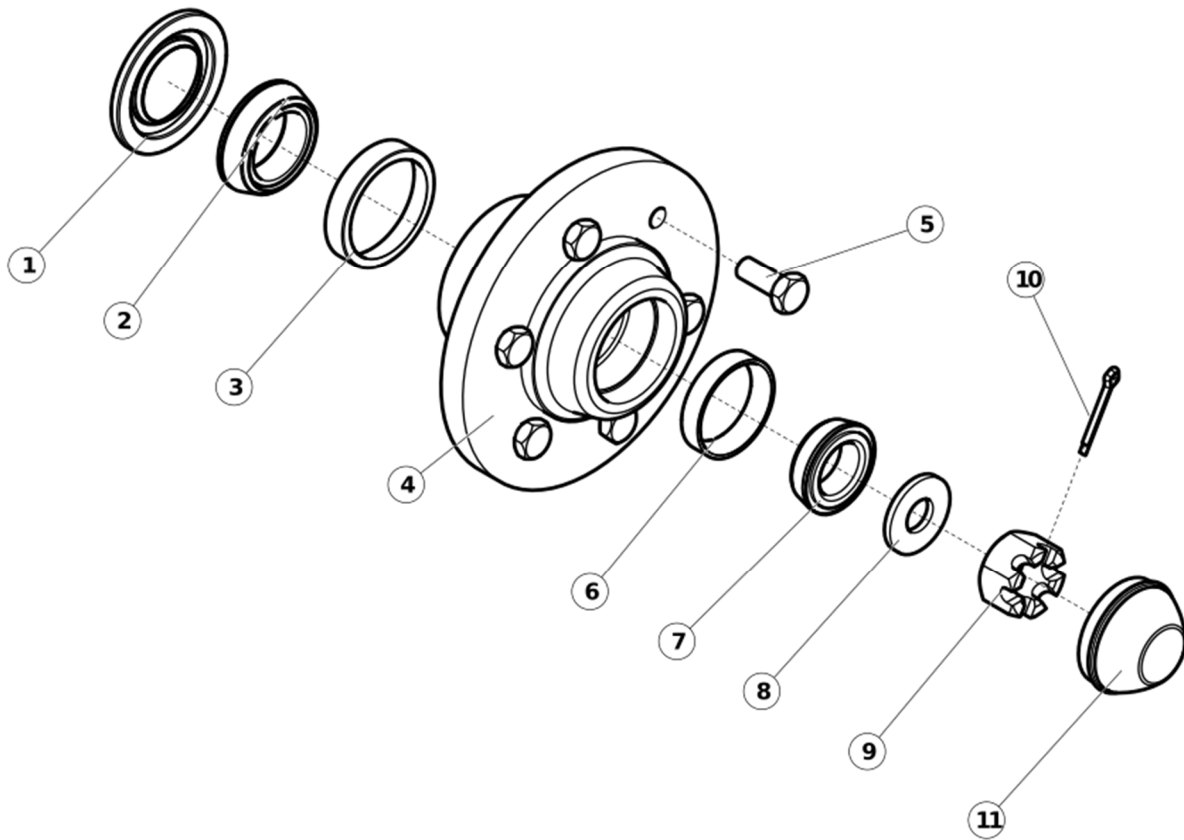
REF #	PART #	DESCRIPTION	QTY
1	RNJ627000013	Body Weldment	1
2	RNJ628000021	Shroud Weldment	2
3	RNJ628000018	Access Door	1
4	RNJ658000083	Driveline Support - Long	1
5	RN1001000602	Tire & Rim - 14L x 16.1 SL x 12 Rim	2
*	RN100100707	Tire & Rim 16.5L x 16.1 SL x 12 Rim	2
6	RN3410000615	614 Hub and Spindle Complete	2
7	RN1400000490	Safety Chain	1
8	RN3430000237	Base Hitch	1
9	RN3430000206	Clevis	1
10	RN3411000056	Jack - 5000lbs Top Wind	1
11	S522	Manual Holder	1
12	BFR723	Slow Moving Vehicle Emblem	1
13	RN1615000498	Quick Pin, 3/8" x 1-5/8"	1
14	86567	Hose Clamp Half	10
15	RNJ400001027	PTO Hold Down Bar	1
16	RN1471000291	Cradle Guide	4
17	RN1471000290	Wear Pad	4
18	RNJ400000052	Hub Scraper	4
19	RN1540000177	Toggle Clamp	2
20	YBHH32004	Hex Bolt - 1" NC x 2" Gr.5 PL	1
21	YNNY32005	Nyloc Nut - 1" NC Gr.5 PL	1
22	YNNY24003	Nyloc Nut - 3/4" NC Gr.5 PL	3
23	YBHH24095	Hex Bolt - 3/4" NC x 6-1/2" Gr.5 PL	2
24	YBHH24080	Hex Bolt - 3/4" NC x 5" Gr.5 PL	1
25	YBHH16115	Hex Bolt - 1/2" NC x 3-1/2" Gr.5 PL	2
26	YNNY16005	Nyloc Nut - 1/2" NC Gr.5 PL	2
27	YBHH12185	Hex Bolt - 3/8" NC x 4-1/2" Gr.5 PL	4
28	YWFL12010	Flat Washer - 3/8" SAE	8
29	YBCR16015	Carriage Bolt - 1/2" NC x 1-1/4" Gr. 5 PL	16
30	YNNY16005	Nyloc Nut - 1/2" NC Gr.5 PL	18
31	YBCR12010	Carriage Bolt - 3/8" NC x 1" Gr.5 PL	28

8.1 Frame Assembly



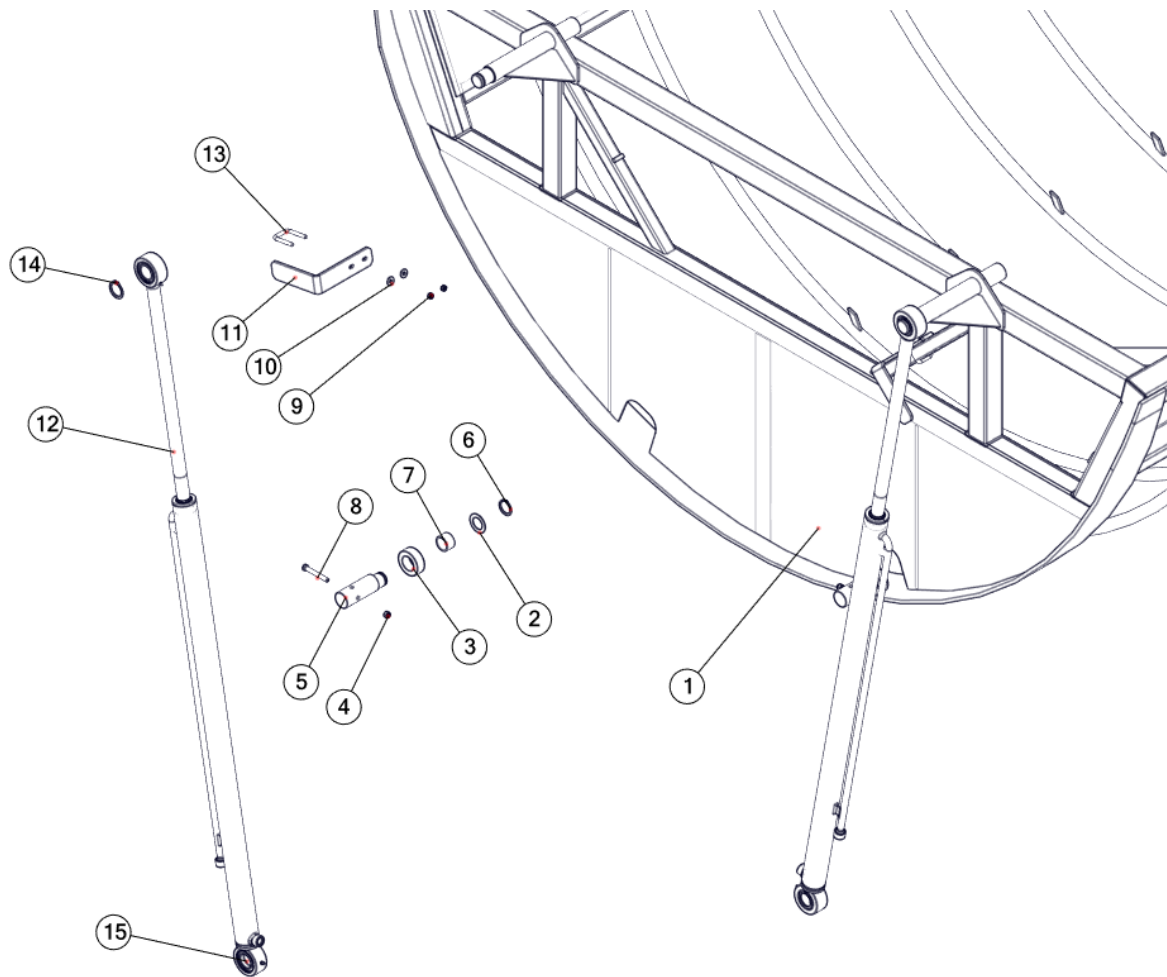
REF #	PART #	DESCRIPTION	QTY
32	YNFG12006	Hex Nut - Flanged - 3/8" NC Gr.5 PL	28
33	YBHH12080	Hex Bolt - 3/8" NC x 2" Gr.5 PL	8
34	YNNY12005	Nyloc Nut - 3/8" NC Gr.5 PL	22
35	RN1603000020	Socket Head Cap Screw - 3/8" x 1-1/4" NC	8
36	YWFL12005	Flat Washer - 3/8" USS PL	6
37	YBHH12035	Hex Bolt - 3/8" NC x 1-1/4" Gr.5 PL	1

8.2 614 Hub Assembly



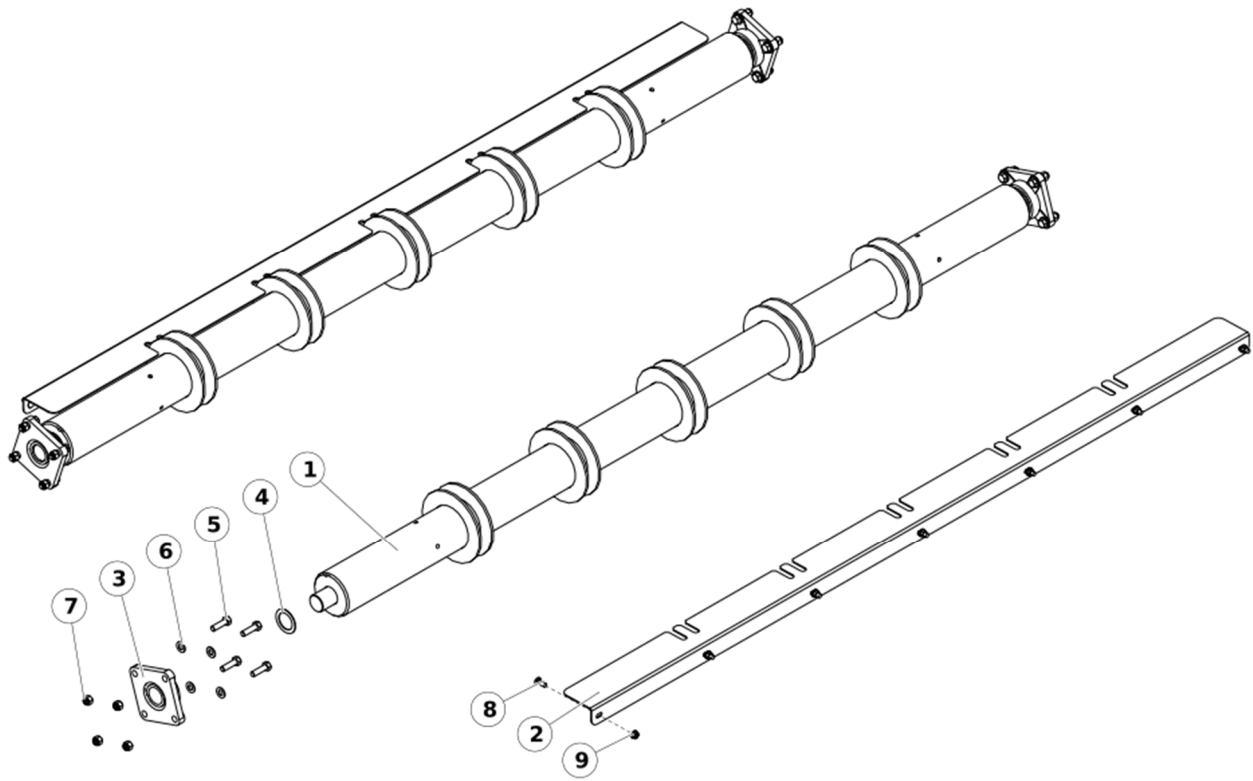
REF #	PART #	DESCRIPTION	QTY
1	RN3401000016	Grease Seal - SE-16	1
2	RN1145000135	Inner Cone - LM-603049	1
3	RN1150000026	Inner Cup - LM-603011	1
4	RN3400000615	614 Hub	1
5	RN3403000012	Wheel Bolt - 9/16" - 18 NF x 1-1/4"	6
6	RN1150000027	Outer Cup - LM-48510	1
7	RN1145000022	Outer Cone - LM-48548	1
8	RN3407000517	Spindle Washer 7/8" I.D., 2" O.D., 0.187" Thick	1
9	RN3407000033	Spindle Nut - 1" x 14 UNF	1
10	YPCT06005	Cotter Pin - 3/16" x 1.5"	1
11	RN3402000015	Dust Cap - 2.72" x 1.45"	1

8.3 Bale Cradle Assembly



REF #	PART #	DESCRIPTION	QTY
1	RNJ628000031	Bale Cradle Weldment	1
2	RN1680000626	Machinery Bushing - 1-3/8" x 2-1/8" 14 ga	2
3	RN0661000104	Cradle Bushing Housing - 3-1/4" x 1-1/4"	2
4	YNNY12005	Nyloc Nut - 3/8" NC Gr.5 PL	4
5	RN0661000005	Pin Cradle Bearing	4
6	RN1139000513	Snap Ring - 1-3/8" ID External	4
7	RN1137000001	Composite Bearing - 1-3/8" x 1-5/8" x 1"	4
8	YBHH10097	Hex Bolt - 3/8" NC x 3" Gr.5 PL	4
9	YNNY10005	Nyloc Nut - 5/16" NC Gr.5 PL	4
10	YWFL10005	Flat Washer - 5/16" USS PL	4
11	RNJ400000177	Stroke Control	2
12	RN1070000202	2" Cradle Cylinder - x46.25"	2
*	RN1070000500	Cradle Cylinder Seal Kit	2
13	RN1590000402	U-Bolt - 5/16" x 1-1/2"	2
14	12V62	Snap Ring - 1-1/2" ID External - Heavy Duty	4
15	RN1140000063	Cradle Bearing	4

8.4 Cradle Roller Assembly



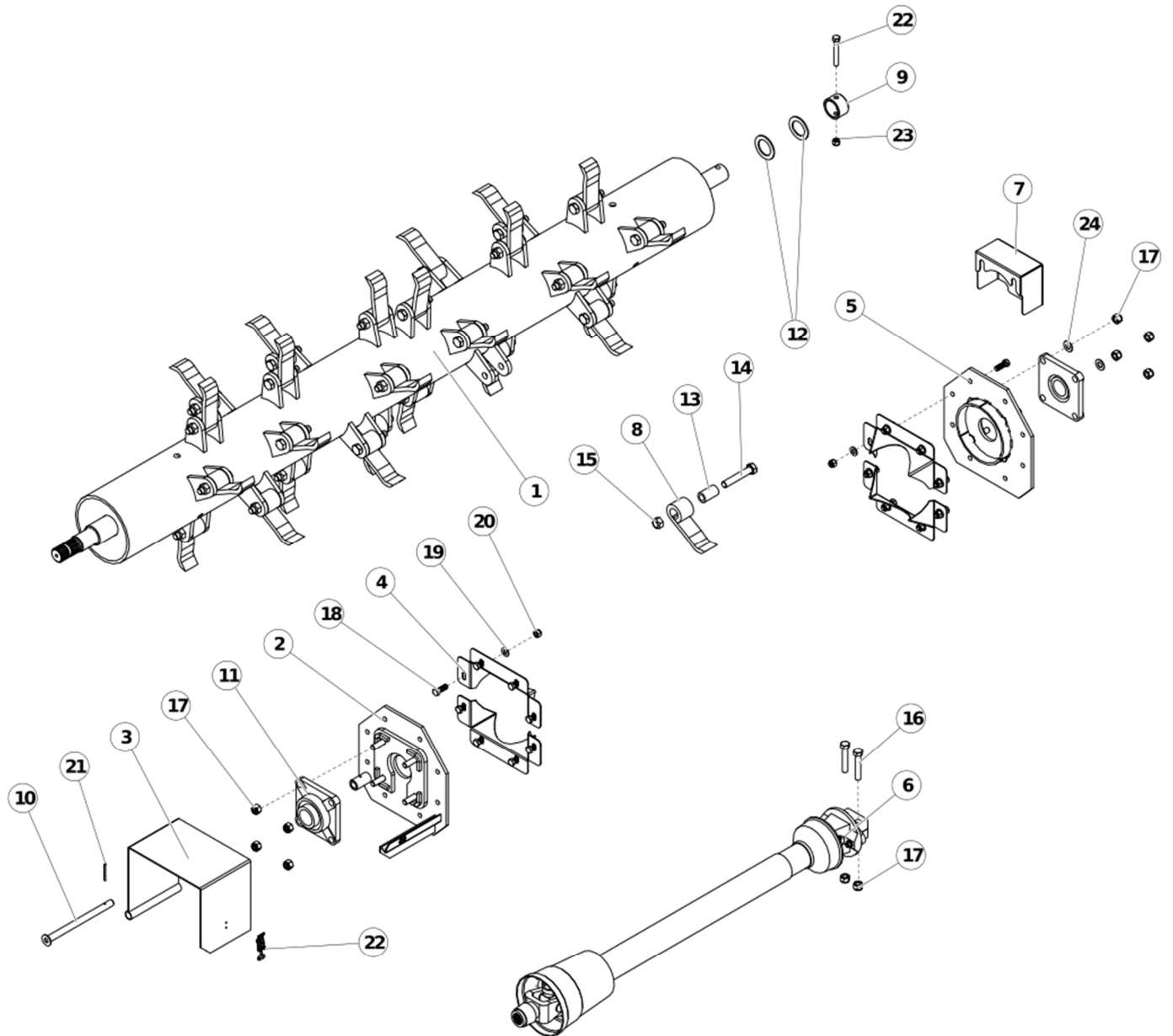
REF #	PART #	DESCRIPTION	QTY
1	RNJ628000019	Cradle Roller Weldment	2
2	RNJ400000088	Cradle Roller Shield	2
3	RN1140000060	1-3/4" Bearing - 4 Bolt Flange Block	4
4	RN1680000631	Machinery Bushing - M40M	4
5	YBHH16055	Hex Bolt - 1/2" NC x 1-3/4" Gr.5 PL	16
6	YWFL12010	Flat Washer - 1/2" SAE PLTD	16
7	YNNY16005	Nyloc Nut - 1/2" NC Gr.5 PL	16
8	YBCR12010	Carriage Bolt - 3/8" NC x 1" Gr.5 PL	14
9	YNFG12006	Hex Nut - Flanged - 3/8" NC Gr.5 PL	14

PAGE INTENTIONALLY LEFT BLANK

8.5 Drive/Rotor Assembly

REF #	PART #	DESCRIPTION	QTY
1	RNJ627000002	Rotor Weldment - LH	1
2	RNJ627000011	Rotor Mount Weldment - Front	1
3	RNJ628000048	Shield Weldment	1
4	RNJ400000069	Twine Shield	4
5	RNJ628000014	Rotor Mount Weldment - Rear	1
6	RN3751000001	PTO Shaft - Series 35 Weasler CAT 4	1
7	RNJ400000070	Shaft Guard	1
8	RN2006000001	Hammer - 5-3/4" Reverse Curl	32
*	RN2006000005	Hammer - 5-3/4" Reverse Curl x 5/8"	32
9	RNJ400000074	Lock Collar	1
10	RN0661000008	Pin - PTO Shield	2
11	RN1140000062	2" - 4-Bolt Flange Bearing	2
12	RN1680000630	Machinery Bushing - M48H	32
13	RN1133000001	Hammer Bushing - Hardened	32
14	YBHH24075	Hex Bolt - 3/4" NC x 4-1/4" Gr.5 PL	32
15	YNTL24005	Top Lock Nut - 3/4" NC Pl.	2
16	YBHH20055	Hex Bolt - 5/8" NC x 3-1/2"	10
17	YNNY20005	Nyloc Nut - 5/8" NC Gr.5 PL	16
18	YBHH16030	Hex Bolt - 1/2" NC x 1-1/2" Gr.5 PL	16
19	YWFL16015	Flat Washer - 1/2" Gr. 8	16
20	YNNY16005	Nyloc Nut - 1/2" NC Gr.5 PL	16
21	YPCT06020	Cotter Pin - 3/16" x 2"	1
22	RN1540000142	Overcenter Latch - 3.5"	1
*	YSPP62006	Stove Bolt - 8-32 x 1/2"	2
*	YNNY62005	Hex Nut - 8-32 PL	2

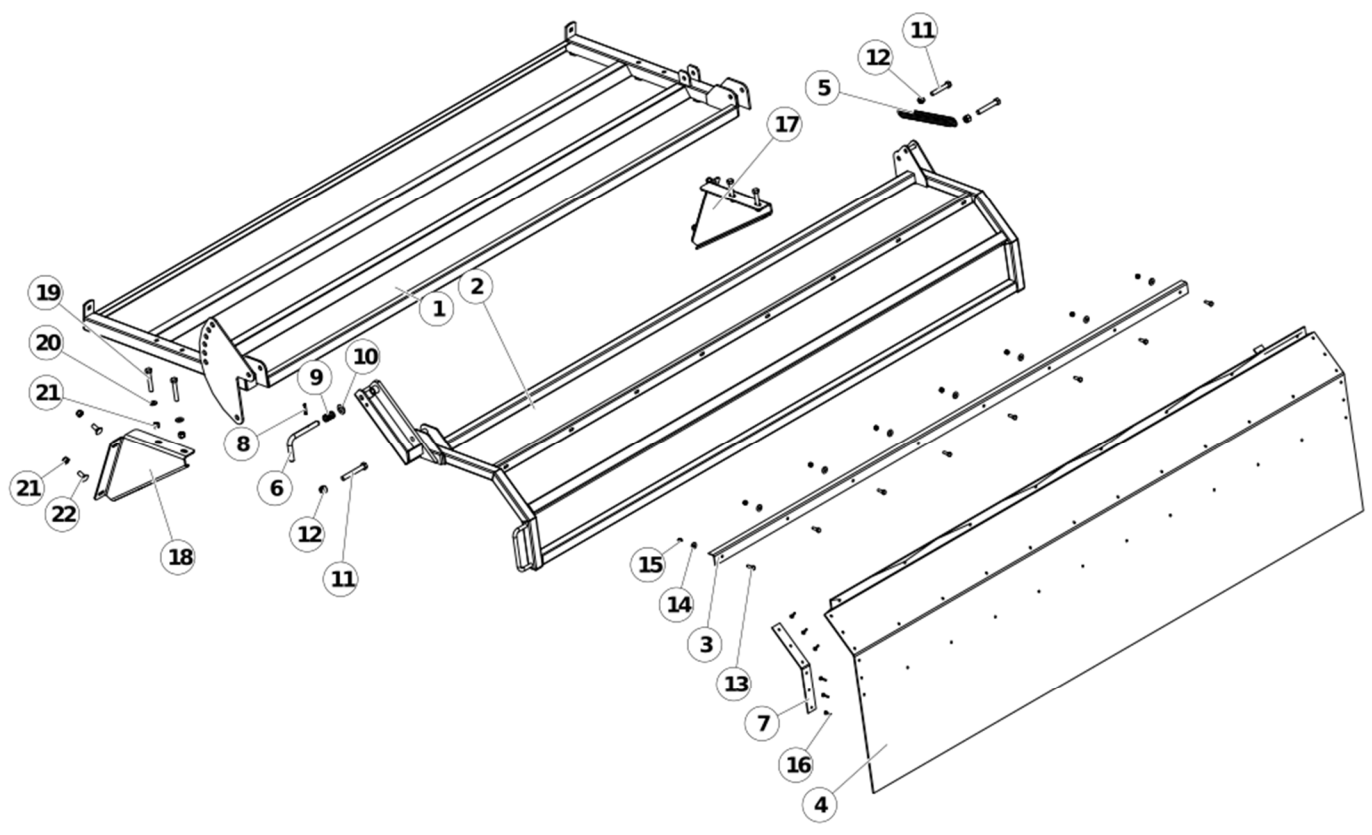
8.5 Drive/Rotor Assembly



8.6 Deflector Assembly

REF #	PART #	DESCRIPTION	QTY
1	RNJ627000006	Deflector Table Weldment - LH	1
2	RNJ627000007	Deflector Frame Weldment - LH	1
3	RNJ400000143	Clamp Angle	1
4	RN1450000015	Deflector Belting	1
5	RN3032000048	Extension Spring - 7"	1
6	RN0661000006	Deflector Lock Pin	1
7	RNJ400000142	Inner Clamp Plate	2
8	RN1722000780	Spring Pin - 1/4" x 1-1/2"	1
9	RN3031000119	Compression Spring - .9375" x 2"	1
10	YWFL20010	Flat Washer - 5/8" SAE PL	1
11	YBHH18135	Hex Bolt - 9/16" x 3-1/2"	3
12	RN1672000689	Nyloc Nut - 9/16" NC Gr.5 PL	3
13	YBHH10010	Hex Bolt - 5/16" NC x 1" Gr.5 PL	8
14	YWFL10005	Flat Washer - 5/16" USS PL	8
15	YNNY10005	Nyloc Nut - 5/16" NC Gr.5 PL	8
16	RN1571000800	Wafer Tek Screw - 10-24 x 1"	36
17	RNJ400000122	Table Gusset - Right	1
18	RNJ400000121	Table Gusset - Left	1
19	YBHH16105	Hex Bolt - 1/2" NC x 3" Gr.5 PL	4
20	YWFL16010	Flat Washer - 1/2" SAE PLTD	4
21	YNNY16005	Nyloc Nut - 1/2" NC Gr.5 PL	8

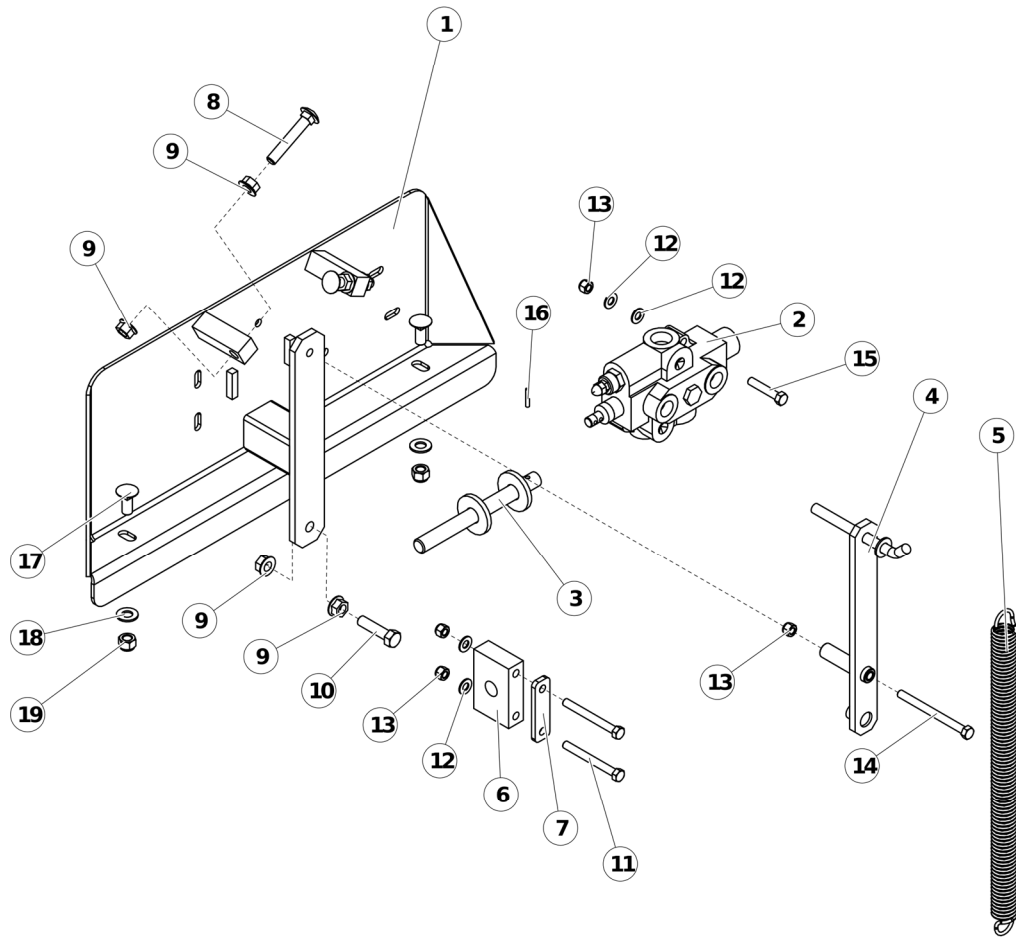
8.6 Deflector Assembly



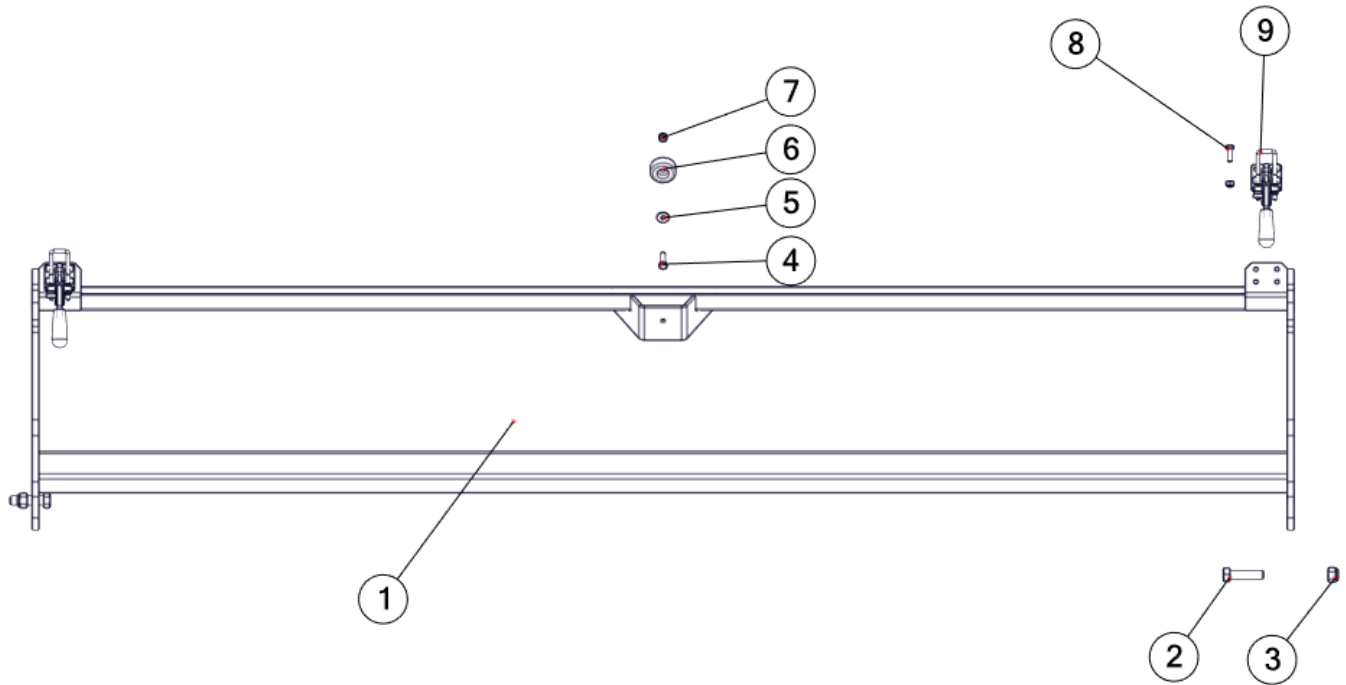
8.7 Valve Shifter

REF #	PART #	DESCRIPTION	QTY
1	RNJ628000022	Valve Plate Weldment	1
2	RN1101000424	Single Spool Valve	1
3	RN0661000007	Shifter Spool Weldment	1
4	RNJ628000024	Shifter Lever Weldment	1
5	RN3033000437	Extension Spring - 15"	1
6	RN1471000292	Shifter Spool Guide	1
7	RNJ400000103	Bearing Cover Plate	1
8	RN1631000200	Full Thread Carriage Bolt, 1/2 X 3 NC GR.5 PL	2
9	RN1672000512	Flange Nut - 1/2" PL	6
10	YBHH16065	Hex Bolt - 1/2" NC x 2" Gr.5 PL	1
11	YBHH12145	Hex Bolt - 3/8" NC x 3-1/2" NC Gr.5 PL	2
12	YWFL12010	Flat Washer - 3/8" SAE	8
13	YNNY12005	Nyloc Nut - 3/8" NC Gr.5 PL	6
14	YBHH12185	Hex Bolt - 3/8" NC x 4-1/2" Gr.5 PL	1
15	YBHH12075	Hex Bolt - 3/8" NC x 2" Gr.5 PL	3
16	RN1722000791	Roll Pin - 3/16" x 1"	1
17	YBCR16015	Carriage Bolt - 1/2" x 1-1/4" NC Gr. 5 PL	2
18	YWFL16010	Flat Washer - 1/2" SAE PLTD	2
19	YNNY16005	Nyloc Nut - 1/2" NC Gr.5 PL	2

8.7 Valve Shifter



8.8 Access Door



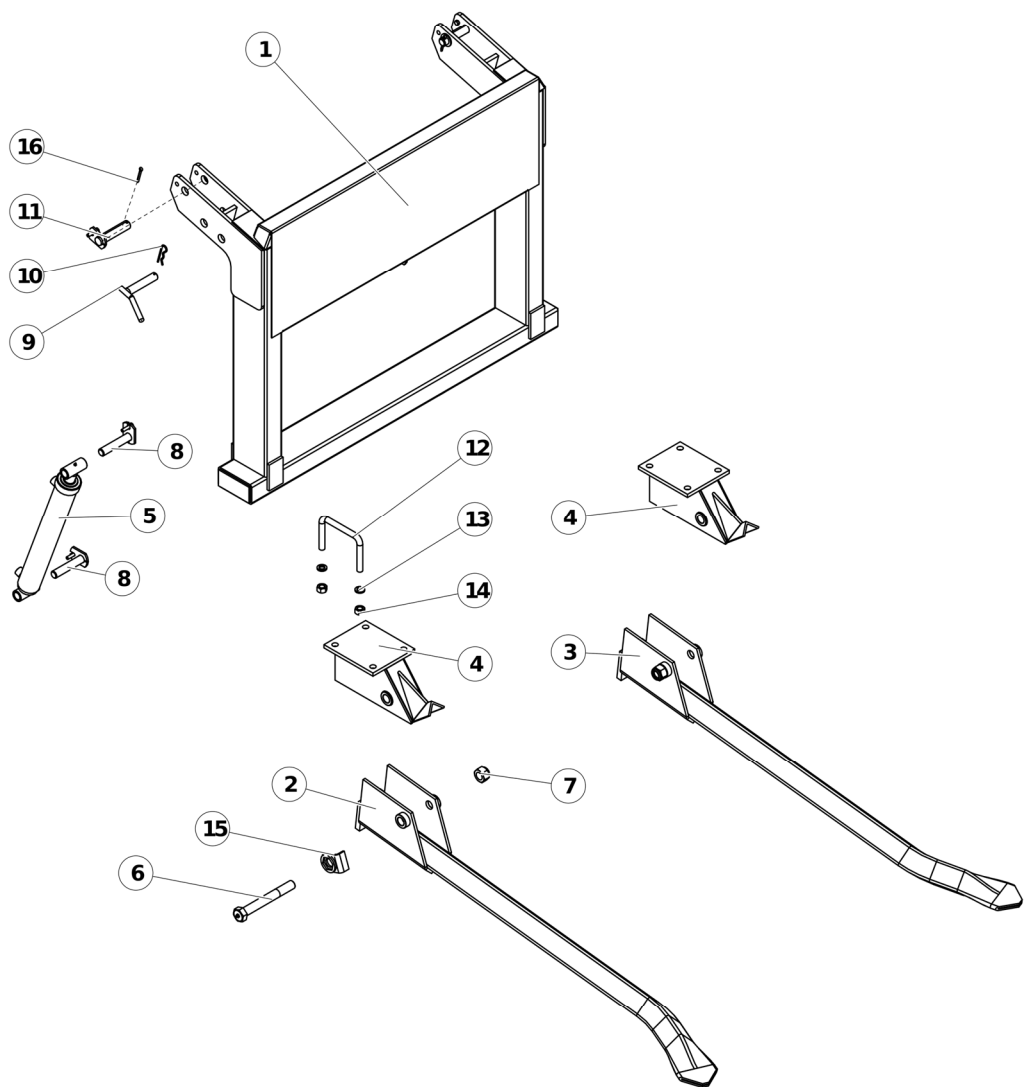
REF #	PART #	DESCRIPTION	QTY
1	RNJ628000018	Access Door Weldment	1
2	YBHH16065	Hex Bolt - 1/2" NC x 2" Gr.5 PL	2
3	YNNY16005	Nyloc Nut - 1/2" NC Gr.5 PL	2
4	YBHH08010	Hex Bolt - 1/4" NC x 1" Gr.5 PL	1
5	YWFL08005	Flat Washer - 1/4" USS PL	1
6	RN1471000410	Round Rubber Bumper Pad	1
7	YNNY08005	Nyloc Nut - 1/4" NC Gr.5 PL	9
8	YBHH08100	Hex Bolt - 1/4" NC x 3/4" Gr.5 PL	8
9	RN1540000177	Toggle Clamp	2

PAGE INTENTIONALLY LEFT BLANK

8.9 Load Frame Assembly

REF #	PART #	DESCRIPTION	QTY
1	RNJ628000034	Lift Frame Weldment	1
2	RNJ628000040	Bale Tine Weldment - Left	1
3	RNJ628000041	Bale Tine Weldment - Right	1
4	RNJ628000038	Tine Mount Weldment	2
5	RN1070000203	Hydraulic Cylinder - 2-1/2" x 14-1/4"	2
6	RNJ728000072	Grease Bolt - Tine Mount Pin	2
7	RN1672000695	Nyloc Nut 1-1/8" NC Gr.5 PL	2
8	RN0661000004	Pin - Lift Cylinder	4
*	YBHH12025	Hex Bolt - 3/8" NC x 1-1/2 Gr.5 PL	8
*	YWFL12010	Flat Washer - 3/8" SAE	16
*	YNNY12005	Nyloc Nut - 3/8" NC Gr.5 PL	8
9	RN0661000002	Pin - Transport Lock	1
10	RN1613000777	Hair Pin - 5/32" x 3-15/16"	1
11	RN0661000003	Pin - Lift Frame	2
*	YBHH12025	Hex Bolt - 3/8" NC x 1-1/2 Gr.5 PL	2
*	YWFL12010	Flat Washer - 3/8" SAE	4
*	YNNY12005	Nyloc Nut - 3/8" NC Gr.5 PL	2
12	RN1590000430	U-Bolt - 3/4" x 6-7/8" x 4-5/8"	4
13	YWLO24015	Lock Washer - 3/4" NC Gr. 8 PL	8
14	YNHX24006	Hex Nut - 3/4" NC Gr.8 PL	8
15	RNJ628000131	Tine Retainer	2
16	YPCT08007	Cotter Pin - 1/4" x 2"	2

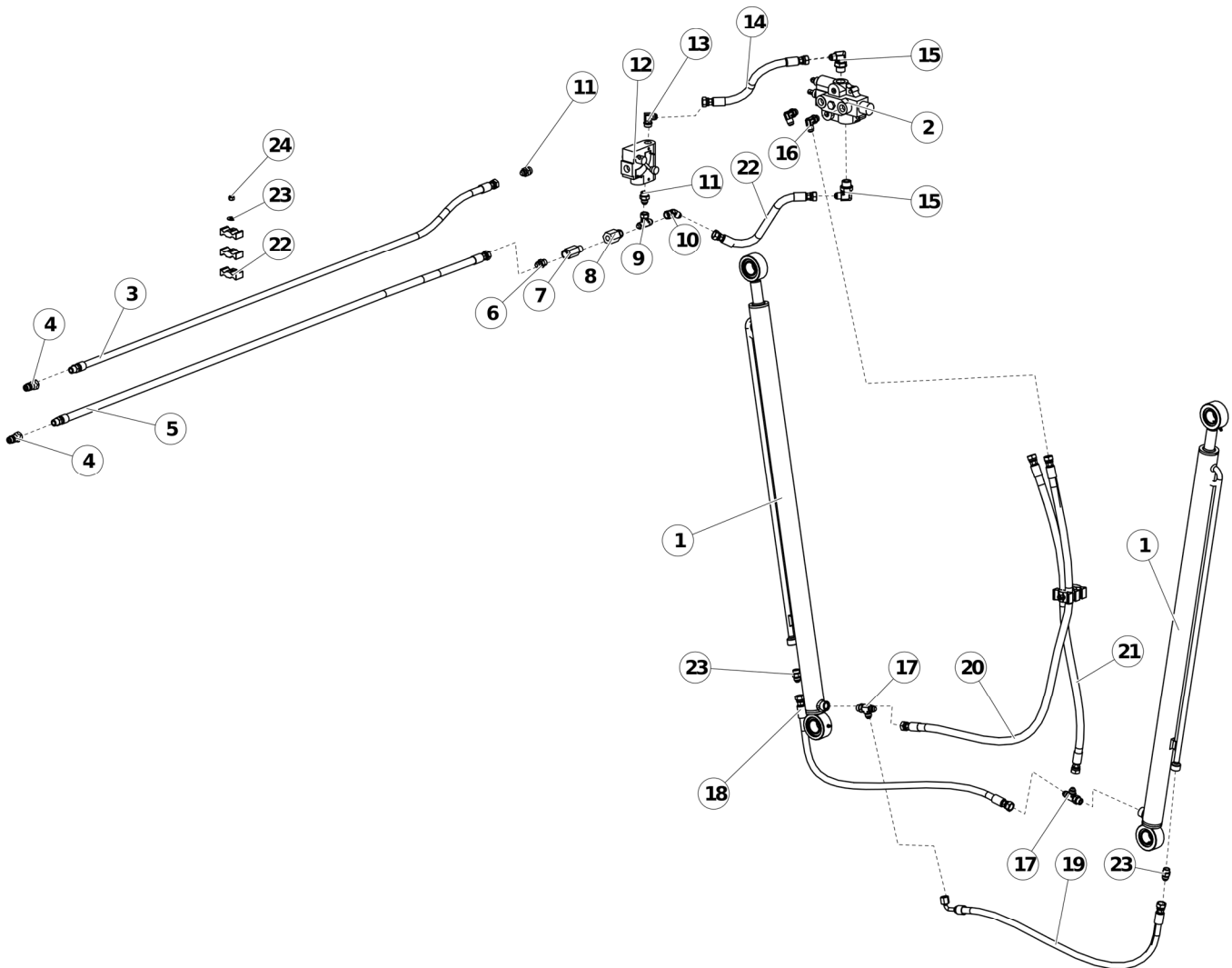
8.9 Load Frame Assembly



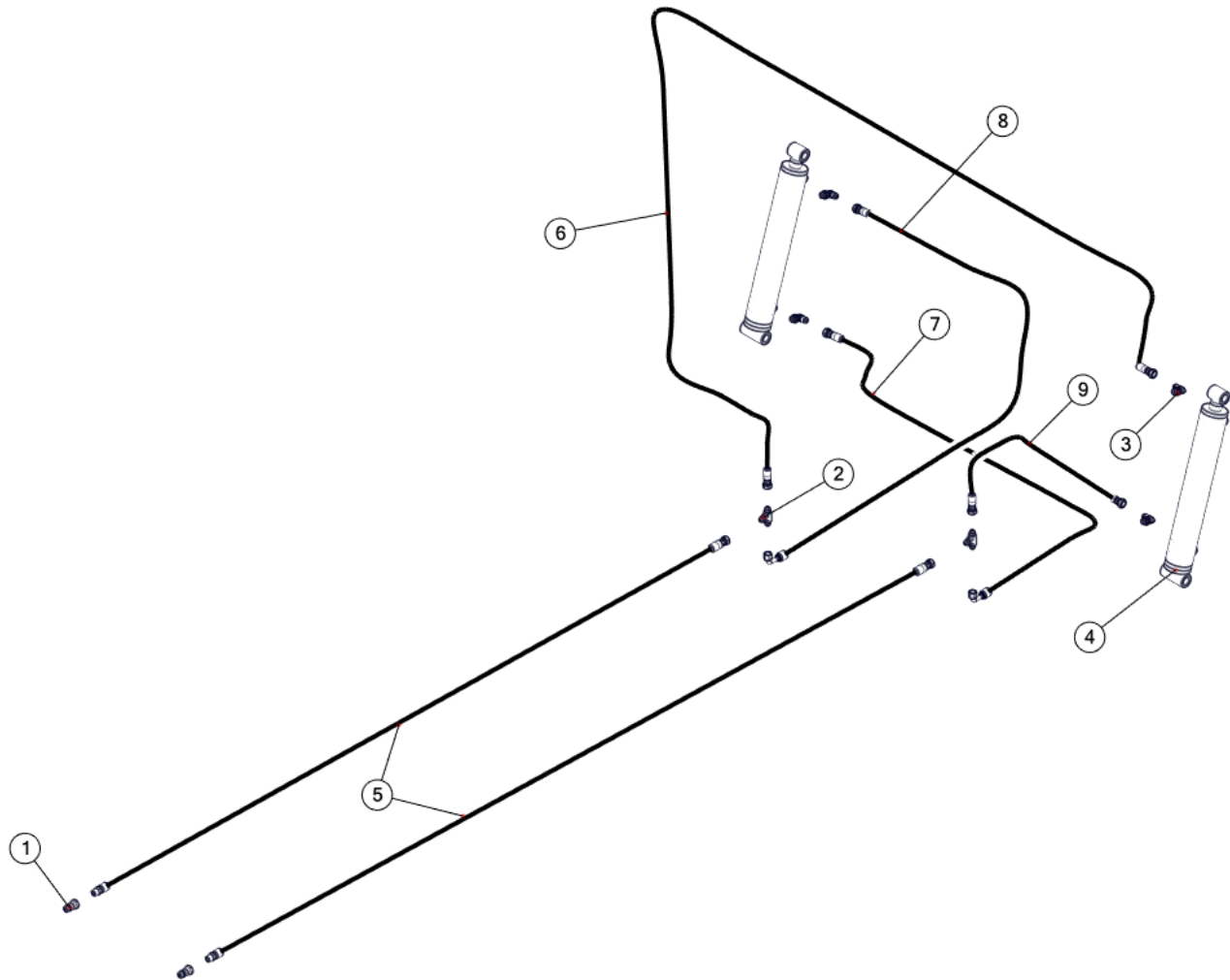
8.10 Cradle Hydraulics

REF #	PART #	DESCRIPTION	QTY
1	RN1070000202	Cradle Cylinder - SB427 2" x 46.25"	2
*	RN1070000500	Cradle Cylinder Seal Kit	2
2	RN1101000424	Single Spool Valve	1
3	RN3935000084	Hydraulic Hose - 1/2" x 84" x #8 JICF x 1/2" MPT	1
4	DWM205	Hydraulic - Q/C Male Poppet 1/2" FNPT	2
5	RN3935000087	Hydraulic Hose - 1/2" x 87" x #8 JICF x 1/2" MPT	1
6	TFM90	Hex Nipple - 1/2" MNPT x #8 JICM	1
7	RN1110000200	Check Valve - 1/2" MNPT x 1/2" FNPT	1
8	RN0865000108	Coupler - 1/2" FPT x #8 JICF	1
9	TS139	Tee - #8 JICM x #8 JICM x #8 JICF (Drop)	1
10	58193	Elbow 45° - #8 JICF x #8 JICM	1
11	GM27	Hex Nipple - #8 JICM x #10 ORBM	2
12	GM20	Flow Control	1
13	GM19	Elbow 90° - #10 ORBM x #8 JICM	1
14	RN3935000013	Hydraulic Hose - 1/2" x 13" x #8 JICF x #8 JICF	1
15	TFM87	Elbow 90° - #12 ORBM x #8 JICM	2
16	TS135	Elbow 90° - #8 JICM x #8 ORB-sw	2
17	RN0851000908	Tee - #8 ORBM x #8 JICM x #8 JICM	2
18	RN393400-0037	Hydraulic Hose - 3/8" x 27" x #8 JICF x #8 JICF	1
19	RN3934000038	Hydraulic Hose - 3/8" x 38" x #8 JICF x #8 JICF 90°	1
20	RN3935000058	Hydraulic Hose - 1/2" x 58" x #* JICF x #8 JICF	1
21	RN3935000039	Hydraulic Hose - 1/2" x 39" x #* JICF x #8 JICF	1
22	RN3935000014	Hydraulic Hose - 1/2" x 14" x #* JICF x #8 JICF	1
23	TS137	Hex Nipple - #8 JICM x #8 ORBM	2

8.10 Cradle Hydraulics



8.11 Lift Cylinder Hydraulics



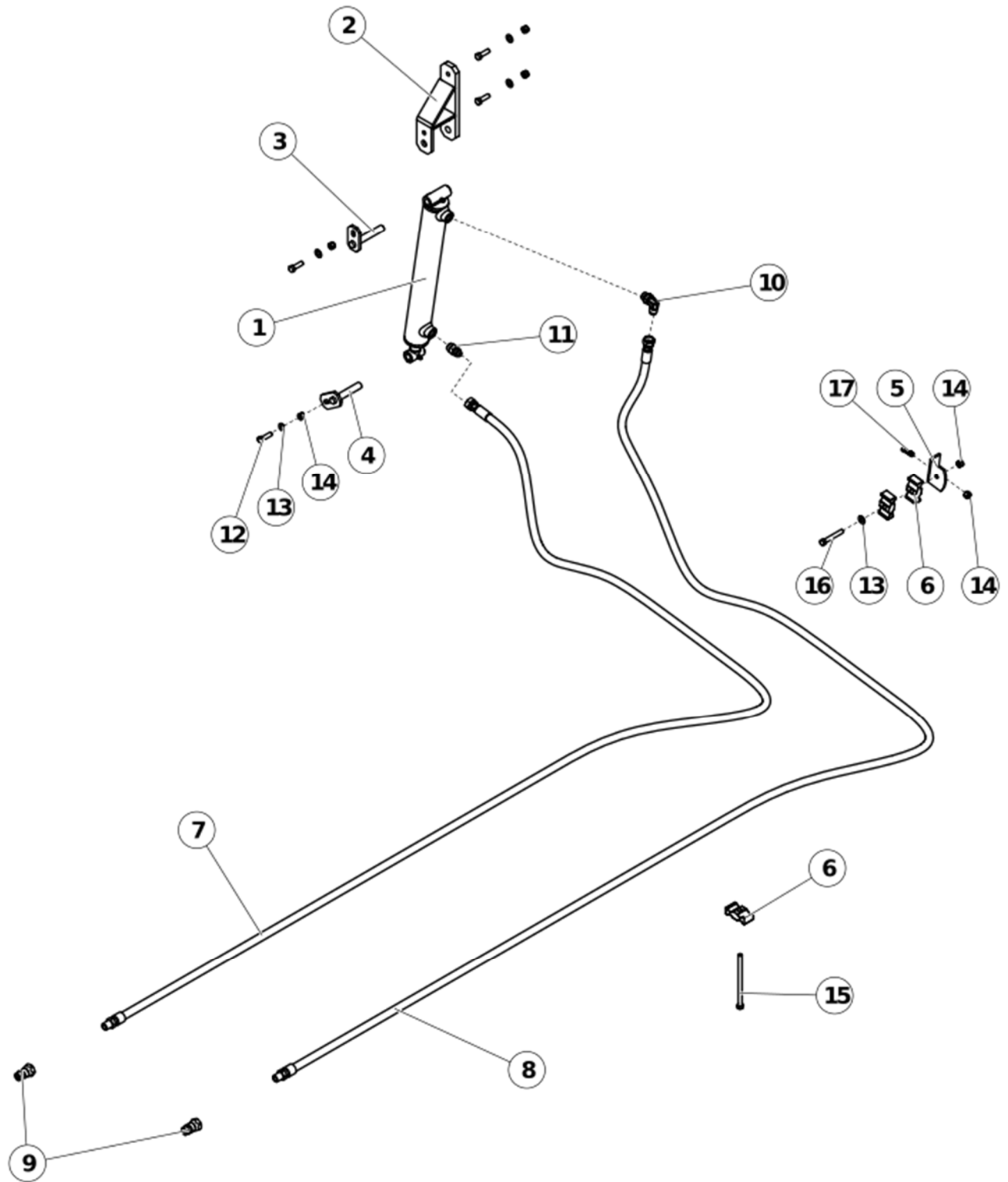
REF #	PART #	DESCRIPTION	QTY
1	DWM205	Hydraulic - Q/C Male Poppet 1/2" FPT	2
2	81311	Tee - #8 JICM x #8 JICM x #8JICM	2
3	TS135	Elbow - #8 JICM-sw x #8 ORBM	4
4	RN1070000203	2.5" Cylinder x 17.25" Stroke	2
*	RN1070000502	2.5" Lift Cylinder Seal Kit	*
5	RN3935000241	Hydraulic Hose - 1/2" x 241" x #8 JICF x 1/2" MPT	2
6	RN3934000021	Hydraulic Hose - 3/8" x 21" x #8 JICF x #8 JICF	1
7	RN3934000029	Hydraulic Hose - 3/8" x #8JICF x #8JICF long 90deg	1
8	RN3934000041	3/8" x 41" x #8 JICF x #8 JICF 90 deg	1
9	RN3934000018	Hydraulic Hose - 3/8" x 18" x #8 JICF x #8 JICF	1

PAGE INTENTIONALLY LEFT BLANK

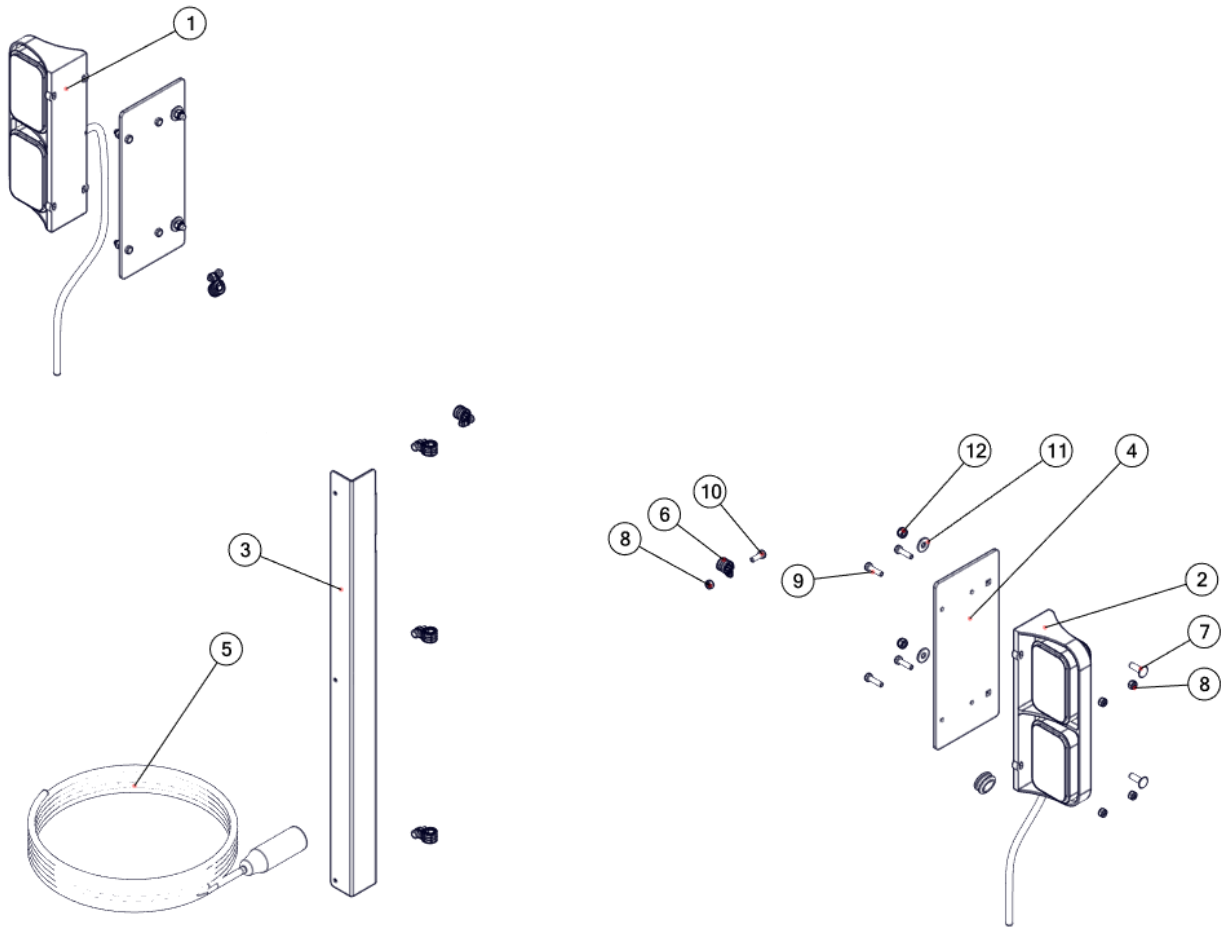
8.12 Hydraulic Deflector Kit (Optional)

REF #	PART #	DESCRIPTION	QTY
1	RN1070000204	Hydraulic Cylinder 2" x 13.5"	1
2	RNJ628000043	Deflector Cylinder Mount	1
3	RN0661000033	Pin - 5/8 x 3-11/16"	1
4	RN0661000032	Pin - 5/8" x 3-1/4"	1
5	RNJ400000964	Hose Tab	2
6	86567	Hose Clamp Half	5
7	RN3934000149	Hydraulic Hose - 3/8" x 149" x #8 JICF x 1/2" MPT	1
8	RN3934000165	Hydraulic Hose - 3/8" x 165" x #8 JICF x 1/2" MPT	1
9	DWM205	Hydraulic - Q/C Male Poppet 1/2" FNPT	2
10	TS135	90° Elbow - #8 ORB x #8 JICM-sw	1
11	RN0810000107	Orifice Adapter—#8 ORBM x #8 JICM x .031" Hole Dia	1
12	YBHH12035	Hex Bolt - 3/8" NC x 1-1/4" Gr.5 PL	4
13	YWFL12010	Flat Washer - 3/8" SAE	4
14	YNNY12005	Nyloc Nut - 3/8" NC Gr.5 PL	7
15	YBHH12225	Hex Bolt - 3/8"NC x 6" Gr.5 PL	1
16	YBHH12120	Hex Bolt - 3/8" NC x 3" Gr.5 PL	2
17	YBHH12010	Hex Bolt - 3/8" NC x 1" Gr.5 PL	2

8.12 Hydraulic Deflector Kit (Optional)

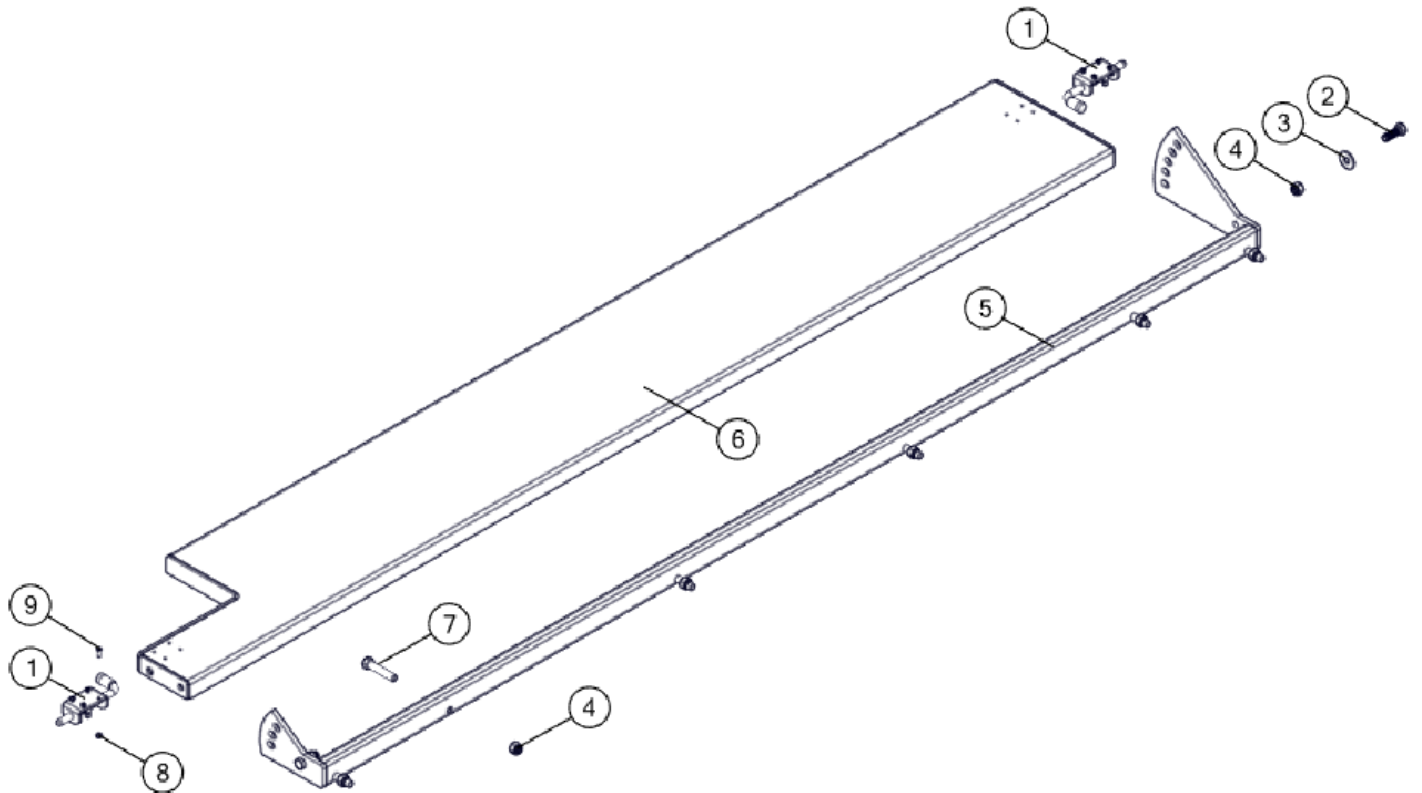


8.13 Light Kit (Optional)



REF #	PART #	DESCRIPTION	QTY
1	RN1470000600	LED Dual Tail Light Kit - Left	1
2	RN1470000601	LED Dual Tail Light Kit - Right	1
3	RNJ400001026	Light Cable Tray	1
4	RNJ400001025	Light Mount Plate	2
5	RN1470000616	2958 Light Harness	1
6	RN1471000430	Rubber Cushion Clamp	7
7	YBCR10010	Carriage Bolt - 5/16" x 1" Gr.5 PL	2
8	YNNY08005	Nyloc Nut - 1/4" NC Gr.5 PL	15
9	YBHH08010	Hex Bolt - 1/4" NC x 1" Gr.5 PL	8
10	YBHH08100	Hex Bolt - 1/4" NC x 3/4" Gr.5 PL	7
11	YWFL10005	Flat Washer - 5/16" USS PL	8
12	YNNY10005	Nyloc Nut - 5/16" NC Gr.5 PL	8

8.14 Lower Deflector Assembly (Optional)



REF #	PART #	DESCRIPTION	QTY
1	RN1540000174	1/2" Spring Latch	2
2	YBHH16030	Hex Bolt - 1/2" NC x 1-1/2" Gr.5 PL	2
3	YWFL16005	Flat Washer - 1/2" USS PLTD	2
4	YNNY16005	Nyloc Nut - 1/2" NC Gr.5 PL	8
5	RNJ627000016	Angle Adjuster Frame	1
6	RNJ627000015	Deflector Plate	1
7	YBHH16080	Hex Bolt - 1/2" NC x 2-1/2" Gr.5 PL	6
8	YNNY64005	Hex Nut - #10-24 PL	8
9	YSPN64005	Stove Bolt - #10-24 x 5/8"	8

H&S MFG. CO.

Products approved
for the

FEMA SEAL OF QUALITY

