

H&S

BALE PROCESSOR

2958 PARTS BOOK



WARNING

READ AND UNDERSTAND THIS MANUAL
BEFORE OPERATING THIS EQUIPMENT.
UNSAFE OPERATION OR MAINTENANCE
OF THIS EQUIPMENT CAN RESULT IN
SERIOUS INJURY OR DEATH.

Revision #01

Starting Serial #R2801E0115

HSMFG1119

Part #86622

Manufactured by
H&S MANUFACTURING CO., INC.
2608 S. HUME AVE. MARSHFIELD, WI 54449
(715) 387-3414 | hsmfgco.com



TABLE OF CONTENTS

8 PARTS	8.1
8.1 FRAME ASSEMBLY	8.1
8.2 614 HUB ASSEMBLY	8.3
8.3 BALE CRADLE ASSEMBLY	8.4
8.4 DRIVELINE/ROTOR ASSEMBLY	8.4
8.5 LOAD FRAME ASSEMBLY	8.5
8.6 DEFLECTOR ASSEMBLY	8.6
8.7 VALVE SHIFTER	8.8
8.8 ACCESS DOOR	8.10
8.9 CRADLE HYDRAULICS	8.12
8.10 LOAD FRAME ASSEMBLY	8.14
8.11 LIFT CYLINDER HYDRAULICS	8.16
8.12 HYDRAULIC DEFLECTOR KIT (OPTIONAL)	8.17
8.13 LIGHT KIT (OPTIONAL)	8.21

INSTRUCTIONS FOR ORDERING PARTS

All service parts should be ordered through your authorized H&S dealer. They will be able to give you faster service if you will provide them with the following:

1. Model & The serial number plate is located on the back end of the Bale Processor, just above the manual canister, on the left side of the processor (viewed from the back).
2. All reference to left or right apply to the machine as viewed from the rear.
3. Parts should not be ordered from illustration only. Please order by complete part number.
4. If your dealer has to order parts - please give shipping instructions.

VIA truck - large pieces (please specify local truck lines)

VIA United Parcel Service (include full address)

ABOUT IMPROVEMENTS

H&S IS CONTINUALLY STRIVING TO IMPROVE IT'S PRODUCTS

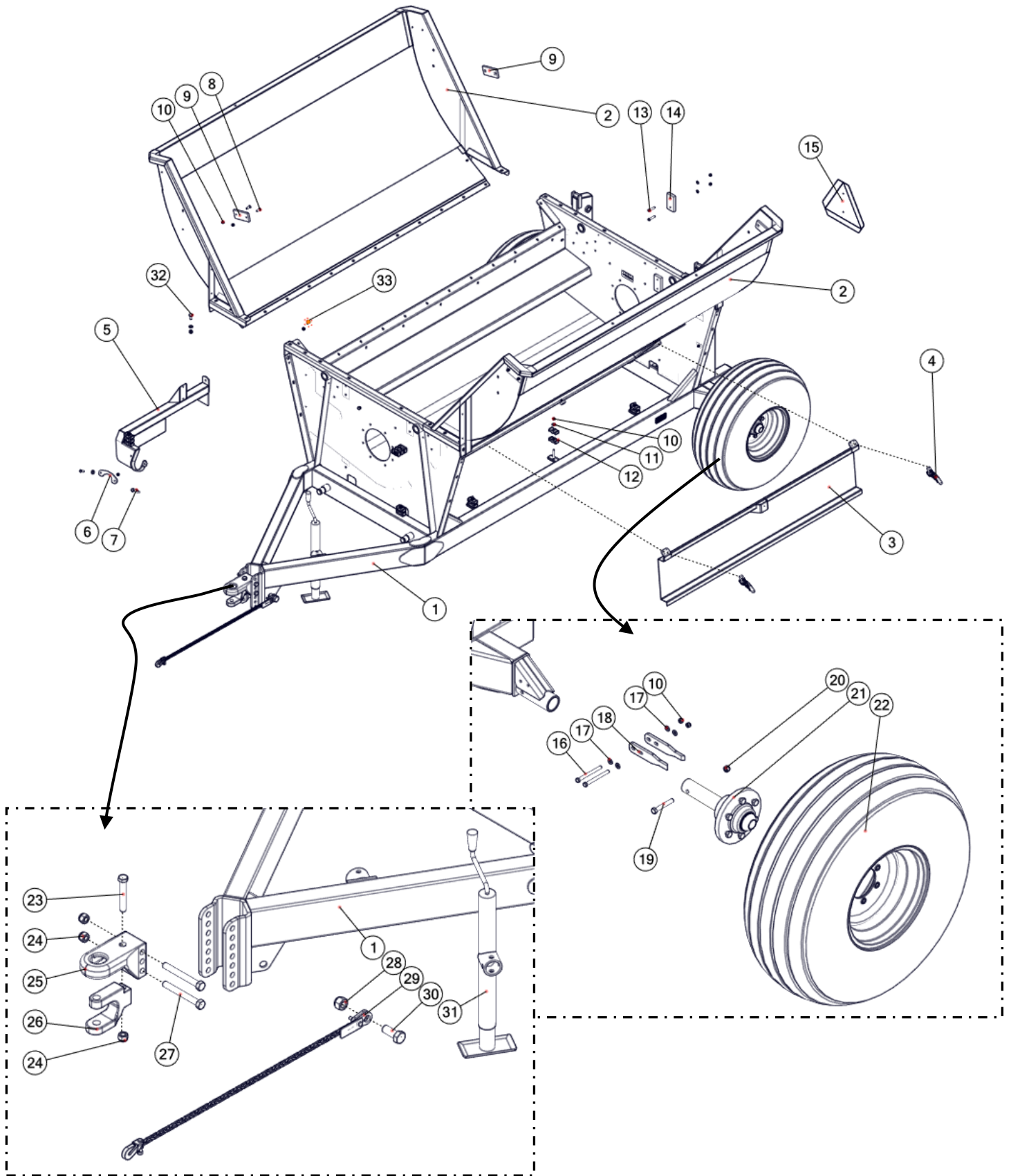
We must therefore, reserve the right to make improvements or changes whenever it becomes practical to do so without incurring any obligation to make changes or additions to the equipment previously sold.

8 Parts

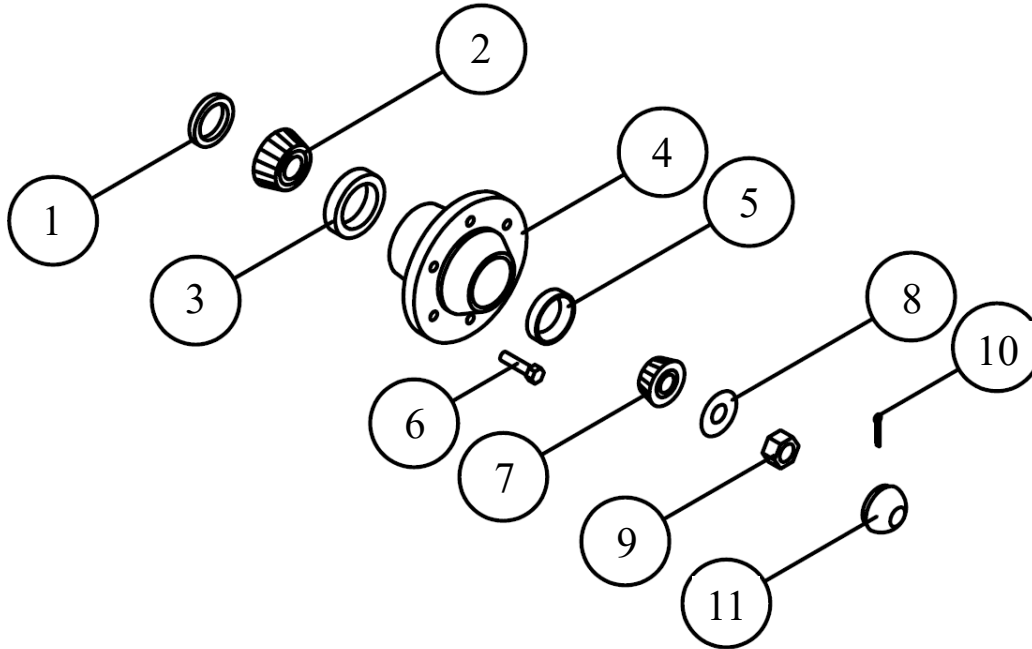
8.1 Frame Assembly

REF #	PART #	DESCRIPTION	QTY
1	RNJ628000126	Body Weldment	1
2	RNJ628000021	Shroud Weldment	2
3	RNJ628000018	Access Door	1
4	RN1540000177	Toggle Clamp	2
5	RNJ658000083	Driveline Support - Long	1
6	RNJ400001027	PTO Hold Down Bar	1
7	RN1615000498	Quick Pin, 3/8" x 1-5/8"	1
8	RN1603000020	Socket Head Cap Screw - 3/8" x 1-1/4" NC	8
9	RN1471000291	Cradle Guide	4
10	YNNY12005	Nyloc Nut - 3/8" NC Gr.5 PL	26
11	YWFL12005	Flat Washer - 3/8" USS PL	6
12	RN0700000601	Hose Clamp Half	14
13	YBHH12080	Hex Bolt - 3/8" NC x 2" Gr.5 PL	8
14	RN1471000290	Wear Pad	4
15	BFR723	Slow Moving Vehicle Emblem	1
16	YBHH12185	Hex Bolt - 3/8" NC x 4-1/2" Gr.5 PL	4
17	YWFL12010	Flat Washer - 3/8" SAE	72
18	RNJ400000052	Hub Scraper	4
19	YBHH16115	Hex Bolt - 1/2" NC x 3-1/2" Gr.5 PL	2
20	YNNY16005	Nyloc Nut - 1/2" NC Gr.5 PL	2
21	RN3410000615	614 Hub and Spindle Complete	2
22	RN1001000602	Tire & Rim - 14L x 16.1 SL x 12 Rim	2
*	RN1001000707	Tire & Rim 16.5L x 16.1SL x 14rim (Large Tire Option)	2
23	YBHH24080	Hex Bolt - 3/4" NC x 5" Gr.5 PL	1
24	YNNY24003	Nyloc Nut - 3/4" NC Gr.5 PL	3
25	RN3430000237	Base Hitch	1
26	RN3430000206	Clevis	1
27	YBHH24095	Hex Bolt - 3/4" NC x 6-1/2" Gr.5 PL	2
28	YNNY32005	Nyloc Nut - 1" NC Gr.5 PL	1
29	RN1400000490	Safety Chain	1
30	YBHH32005	Hex Bolt - 1" NC x 2-1/2" Gr.5 PL	1
31	RN3411000056	Jack - 5000lbs Top Wind	1
32	YBCR16015	Carriage Bolt - 1/2" NC x 1-1/4"	24
33	YBCR12010	Carriage Bolt - 3/8" NC x 1"	42

8.1 Frame Assembly

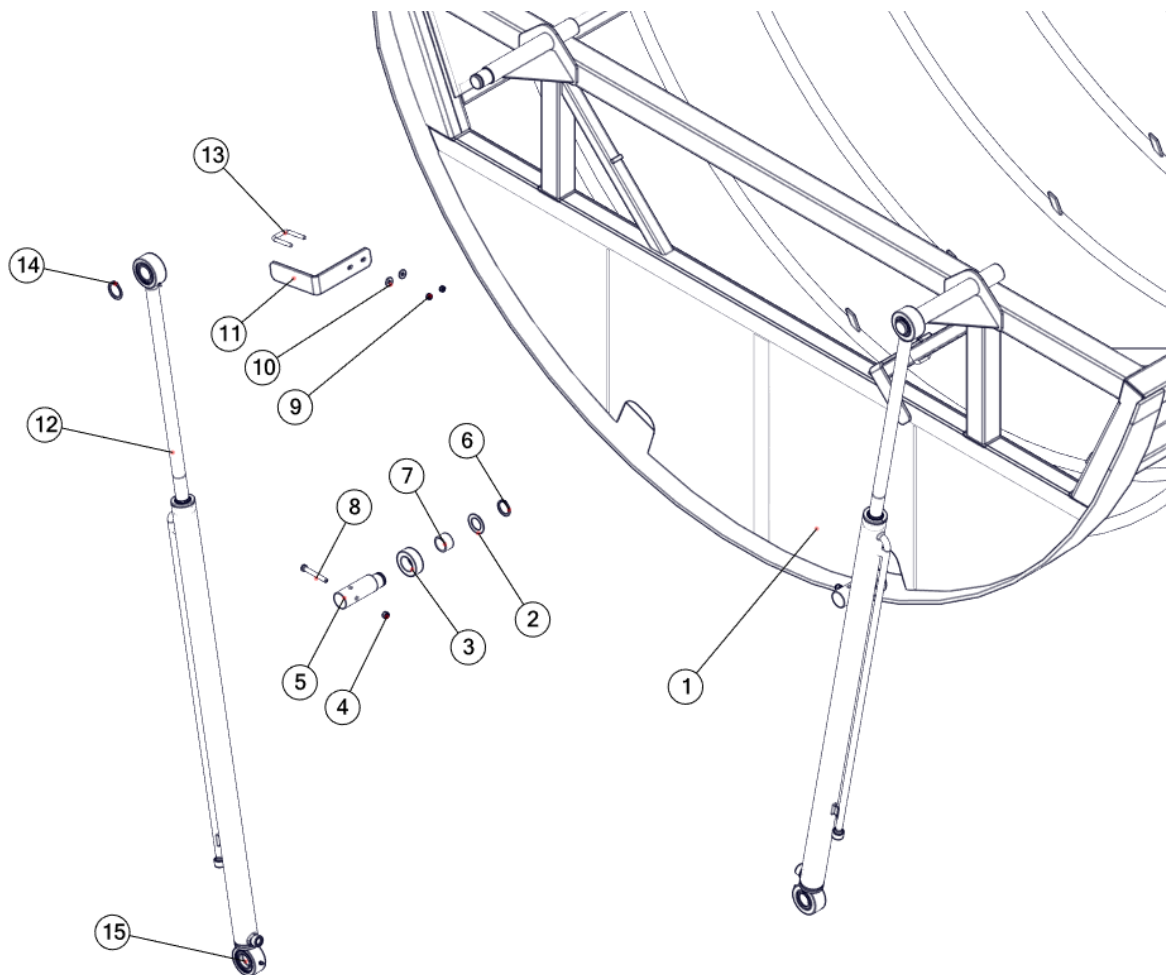


8.2 614 Hub Assembly



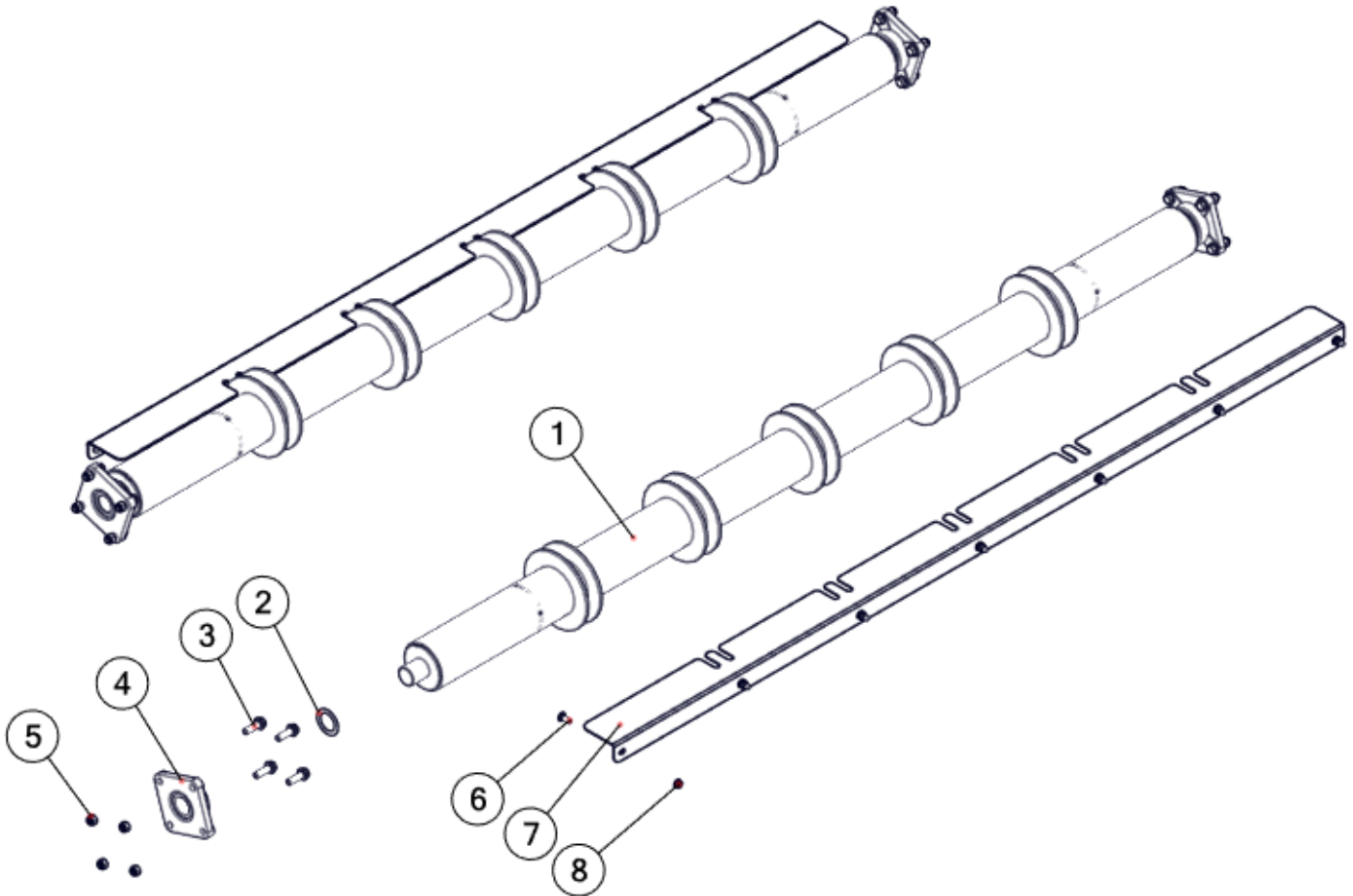
REF #	PART #	DESCRIPTION	QTY
1	RN3401000016	Seal 2 x 3.63 x0.250 SE-16	1
2	RN1145000135	Bearing Cone - 1.78 ID LM 603049	1
3	RN1150000026	Bearing Cup - INN.H614 LM603011	1
4	RN3408000615	Hub 6 Bolt c/w Cups, Cones 5K - 614	1
5	RN1150000027	Bearing Cup - LM48510	1
6	RN3403000012	Wheel Bolt 9/16-18 UNF x 1-1/4	6
7	RN1145000022	Bearing Cone - 1.37"ID LM48548	1
8	RN3407000517	SP. Washer 1.031x 2.00"x .187"	1
9	RN3407000033	Spindle Nut 1" -14 UNF WB33	1
10	YPCT06005	Pin - Cotter 3/16 x 1-1/2" PLT	1
11	RN3402000015	Dust Cap 2.72x1.45 CTD #DC15	1

8.3 Bale Cradle Assembly



REF #	PART #	DESCRIPTION	QTY
1	RNJ628000031	Bale Cradle Weldment	1
2	RN1680000626	Machinery Bushing - 1-3/8" x 2-1/8" 14 ga	2
3	RN0661000104	Cradle Bushing Housing - 3-1/4" x 1-1/4"	2
4	YNNY12005	Nyloc Nut - 3/8" NC Gr.5 PL	4
5	RN0661000005	Pin Cradle Bearing	4
6	RN1139000513	Snap Ring - 1-3/8" ID External	4
7	RN1137000001	Composite Bearing - 1-3/8" x 1-5/8" x 1"	4
8	RN1594000005	Hex Bolt - 3/8" NC x 3" Gr.5 PL	4
9	RN1672000648	Nyloc Nut - 5/16" NC Gr.5 PL	4
10	RN1680000040	Flat Washer - 5/16" USS PL	4
11	RNJ400000177	Stroke Control	2
12	RN1070000202	2" Cradle Cylinder - x46.25"	2
13	RN1590000402	U-Bolt - 5/16" x 1-1/2"	2
14	12V62	Snap Ring - 1-1/2" ID External - Heavy Duty	4
15	RN1140000063	Cradle Bearing	4
*	RN1070000500	Cradle Cylinder Seal Kit	2

8.4 Cradle Roller Assembly



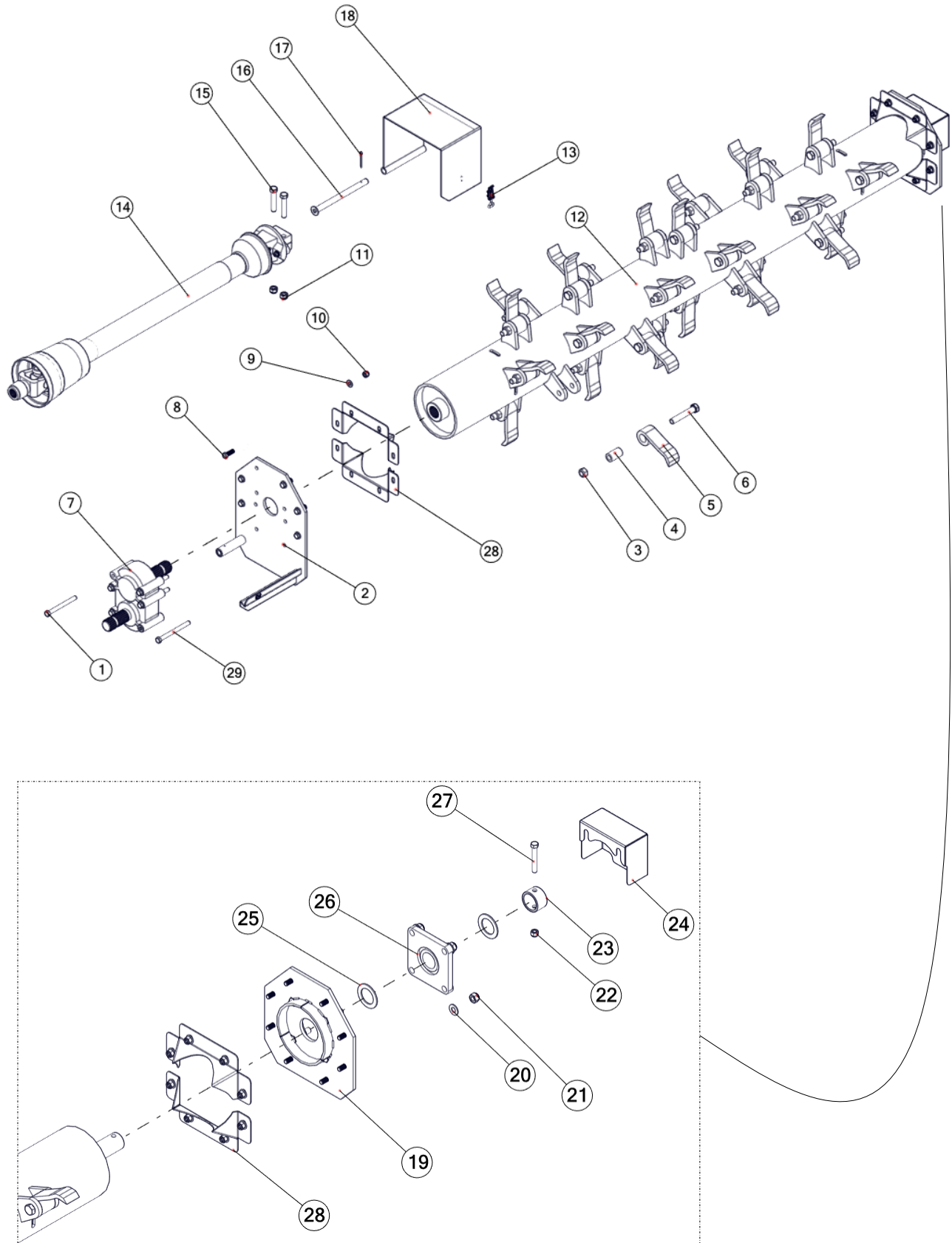
REF #	PART #	DESCRIPTION	QTY
1	RNJ628000019	Cradle Roller Assembly	2
2	RN1680000631	Machinery Bushing - 40mm	4
3	YBHH16055	Hex Bolt - 1/2" NC x 1-3/4" Gr.5 PL	16
4	RN1140000060	1-3/4" - 4 Bolt Flange Block Bearing	4
5	YNNY16005	Nyloc Nut - 1/2" NC Gr.5 PL	16
6	YBCR12010	Carriage Bolt - 3/8" NC x 1" Gr.5 PL	14
7	RNJ400000088	Shield - Cradle Roller	2
8	YNFG12006	Hex Nut - Flanged - 3/8" NC Gr.5 PL	14

PAGE INTENTIONALLY LEFT BLANK

8.5 Drive/Rotor Assembly

REF #	PART #	DESCRIPTION	QTY
1	YBHH16160	Hex Bolt - 1/2" NC x 5-1/2" Gr5 PL	4
2	RNJ628000047	Rotor Mount	1
3	YNTL24005	Top Lock Nut - 3/4" NC PL	32
4	RN1133000001	Hammer Bushing - Hardened	32
5	RN2006000001	Processor Hammer 5-3/4"	32
6	YBHH24075	Hex Bolt - 3/4" NC x 4-1/4" Gr.5 PL	32
7	RN3421000655	Star Gear Box	1
8	YBHH16030	Hex Bolt - 1/2" NC x 1-1/2" Gr.5 PL	16
9	YWFL16015	Flat Washer - 1/2" Gr. 8	16
10	YNNY16005	Nyloc Nut - 1/2" NC Gr.5 PL	16
11	YNNY20005	Nyloc Nut - 5/8" NC Gr.5 PL	2
12	RNJ628000011	Rotor Weldment - RH	1
13	RN1540000142	Over-center Latch - 3.5"	1
14	RN3751000001	PTO Shaft - Series 35 Weasler CAT 4	1
15	YBHH20055	Hex Bolt - 5/8" NC x 3-1/2"	2
16	RN0661000008	Pin - PTO Shield	1
17	YPCT06020	Cotter Pin - 3/16" x 2"	1
18	RNJ628000048	Shield Weldment	1
19	RNJ628000014	Rotor Mount Weldment, Rear	1
20	YWFL20010	Flat Washer - 5/8" SAE PL	4
21	YNNY20005	Nyloc Nut - 5/8" NC Gr.5 PL	4
22	YNNY16005	Nyloc Nut - 1/2" NC Gr.5 PL	1
23	RNJ400000074	Lock Collar	1
24	RNJ400000070	Shaft Guard	1
25	RN1680000630	Machinery Bushing - M48H	2
26	RN1140000062	2" - 4-Bolt Flange Bearing	1
27	YBHH16115	Hex Bolt - 1/2" NC x 3-1/2" Gr.5 PL	1
28	RNJ400000069	Twine Shield	4
29	YBHH16165	Hex Bolt - 1/2" NC x 6" Gr5 PL	2

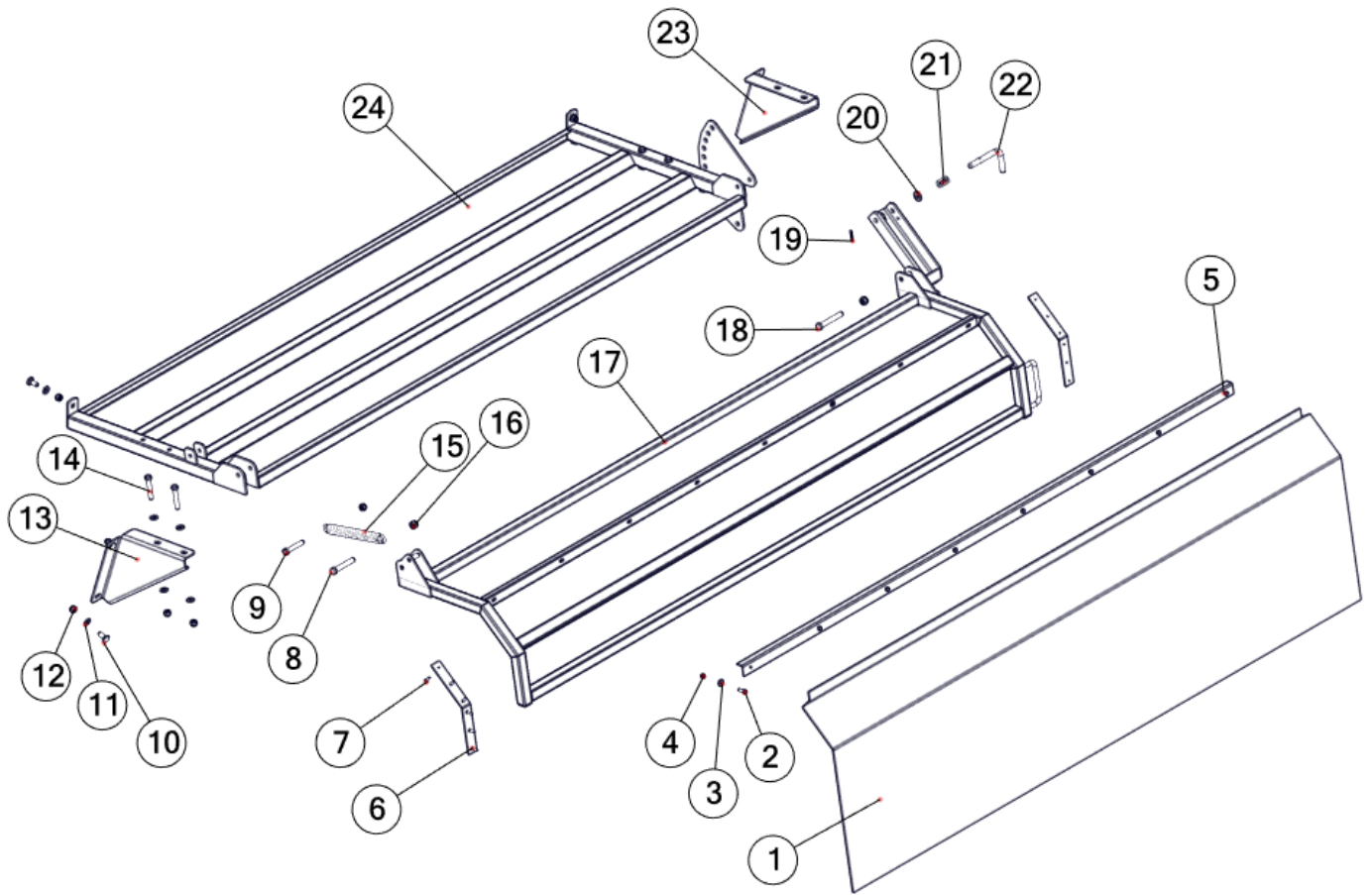
8.5 Drive/Rotor Assembly



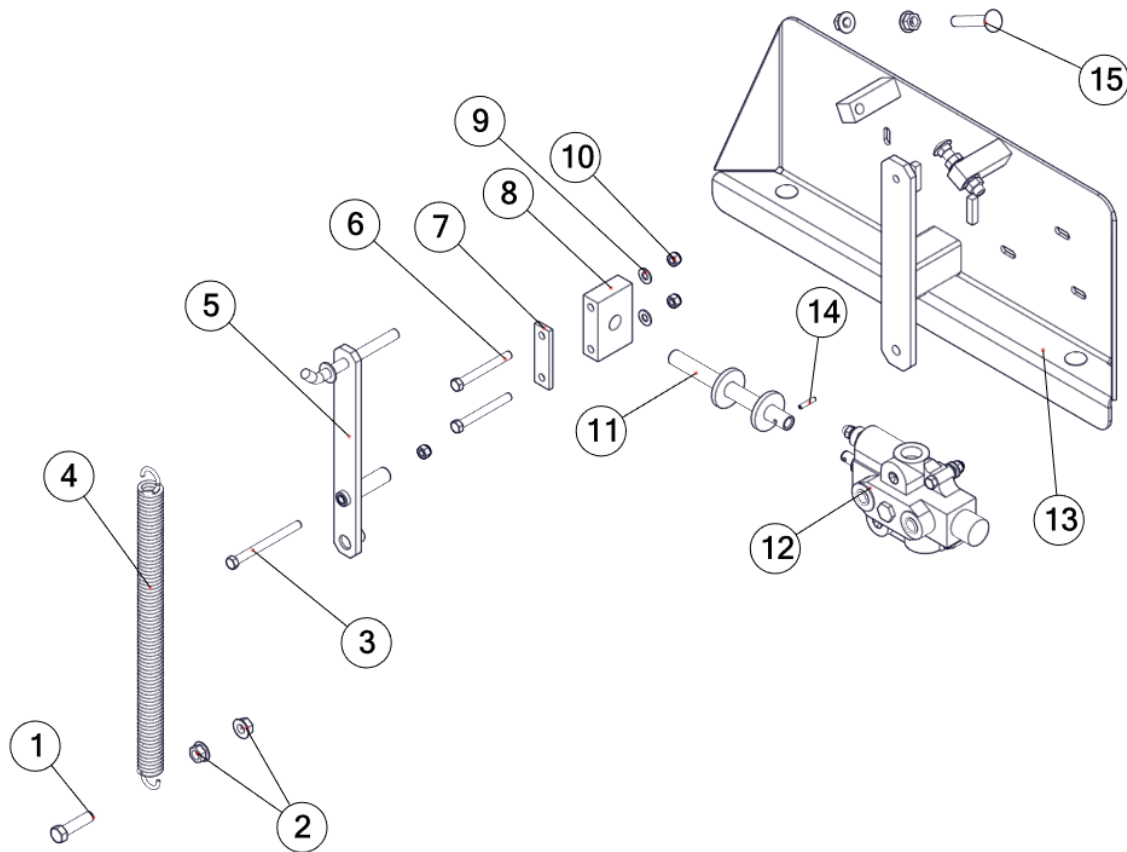
8.6 Deflector Assembly

REF #	PART #	DESCRIPTION	QTY
1	RN1450000015	Deflector Belt - 30" x 94-1/2"	1
2	YBHH10010	Hex Bolt - 5/16" NC x 1" Gr.5 PL	8
3	YWFL10005	Flat Washer - 5/16" USS PL	8
4	YNNY10005	Nyloc Nut - 5/16" NC Gr.5 PL	8
5	RNJ400000143	Clamp Angle	1
6	RNJ400000142	Inner Clamp Plate	2
7	RN1571000800	Wafer Tek Screw - 10/24 x 1"	12
8	YBHH18135	Hex bolt - 9/16" NC x 3-1/2" Gr.5 PL	1
9	YBHH16105	Hex Bolt - 1/2" NC x 3" Gr.5 PL	1
10	YBCR16015	Carriage Bolt - 1/2" x 1-1/4" NC Gr.5 PL	6
11	YWFL16010	Flat Washer - 1/2" SAE PLTD	12
12	YNNY16005	Nyloc Nut - 1/2" NC Gr.5 PL	1
13	RNJ400000121	Table Gusset - Left	4
14	YBHH16105	Hex Bolt - 1/2" NC x 3" Gr.5 PL	4
15	RN3032000048	Extension Spring - 7"	1
16	RN1672000689	Nyloc Nut - 9/16" NC Gr.5 PL	2
17	RNJ628000027	Deflector Frame Weldment - RH	1
18	RN1594000543	Hex bolt - 9/16" NC x 4" Gr.5 PL	1
19	RN1722000780	Spring Pin - 1/4" x 1-1/2"	1
20	YWFL20010	Flat Washer - 5/8" SAE PL	1
21	RN3031000119	Compression Spring - 15/16" x 2"	1
22	RN0661000006	Deflector Lock Pin	1
23	RNJ400000122	Table Gusset - Right	1
24	RNJ628000026	Deflector Table Weldment - Right	1

8.6 Deflector Assembly

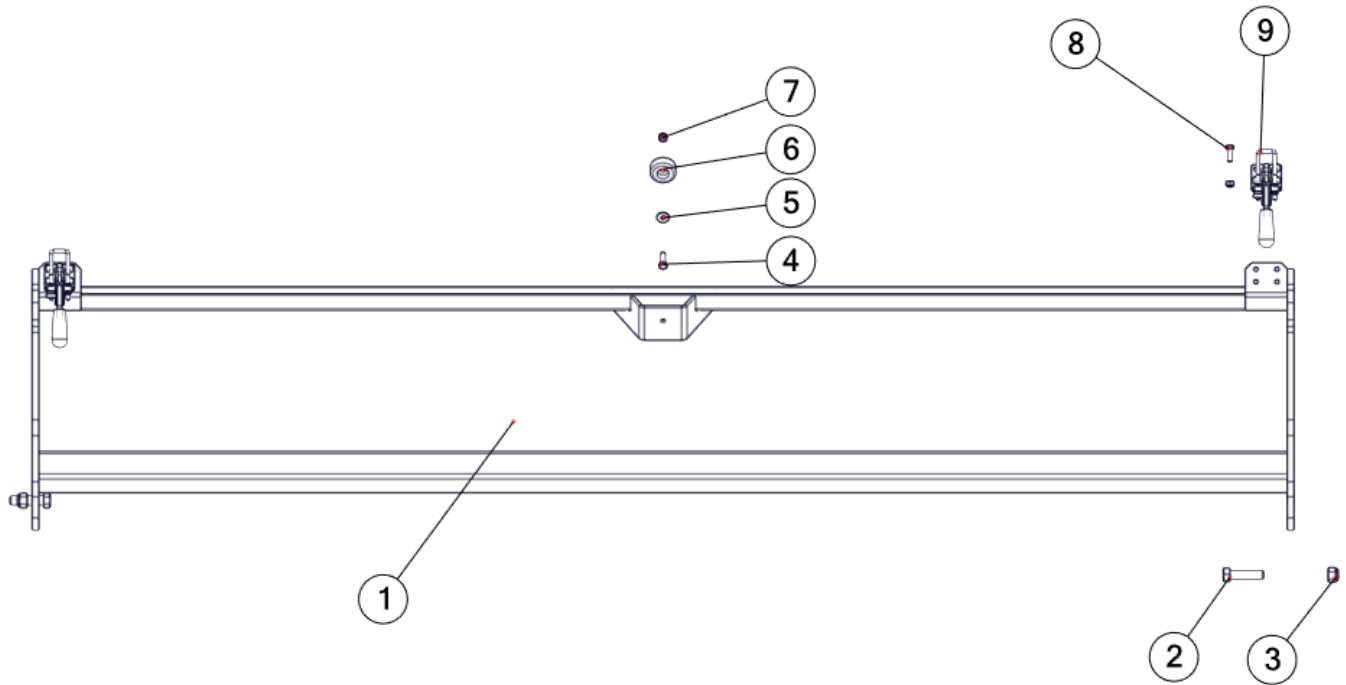


8.7 Valve Shifter



REF #	PART #	DESCRIPTION	QTY
1	YBHH16065	Hex Bolt - 1/2" NC x 2" Gr.5 PL	1
2	RN1672000512	Flange Nut - 1/2" NC	4
3	YBHH12185	Hex Bolt - 3/8" NC x 4-1/2" Gr.5 PL	1
4	RN3033000437	Extension Spring - 15"	1
5	RNJ628000024	Shift Lever Weldment	1
6	YBHH12145	Hex Bolt - 3/8" NC x 3-1/2" NC Gr.5 PL	2
7	RNJ400000103	Bearing Cover Plate	1
8	RN1471000292	Shifter Spool Guide	1
9	YWFL12010	Flat Washer - 3/8" SAE	2
10	YNNY12005	Nyloc Nut - 3/8" NC Gr.5 PL	2
11	RN0661000007	Shifter Spool	1
12	RN1101000424	Single Spool Valve	1
13	RNJ628000022	Valve Plate Weldment	1
14	RN1722000791	Pin - Spring 3/16" x 1"	1
15	RN1631000200	Carriage Bolt - 1/2" NC x 3" Full Thread	1

8.8 Access Door

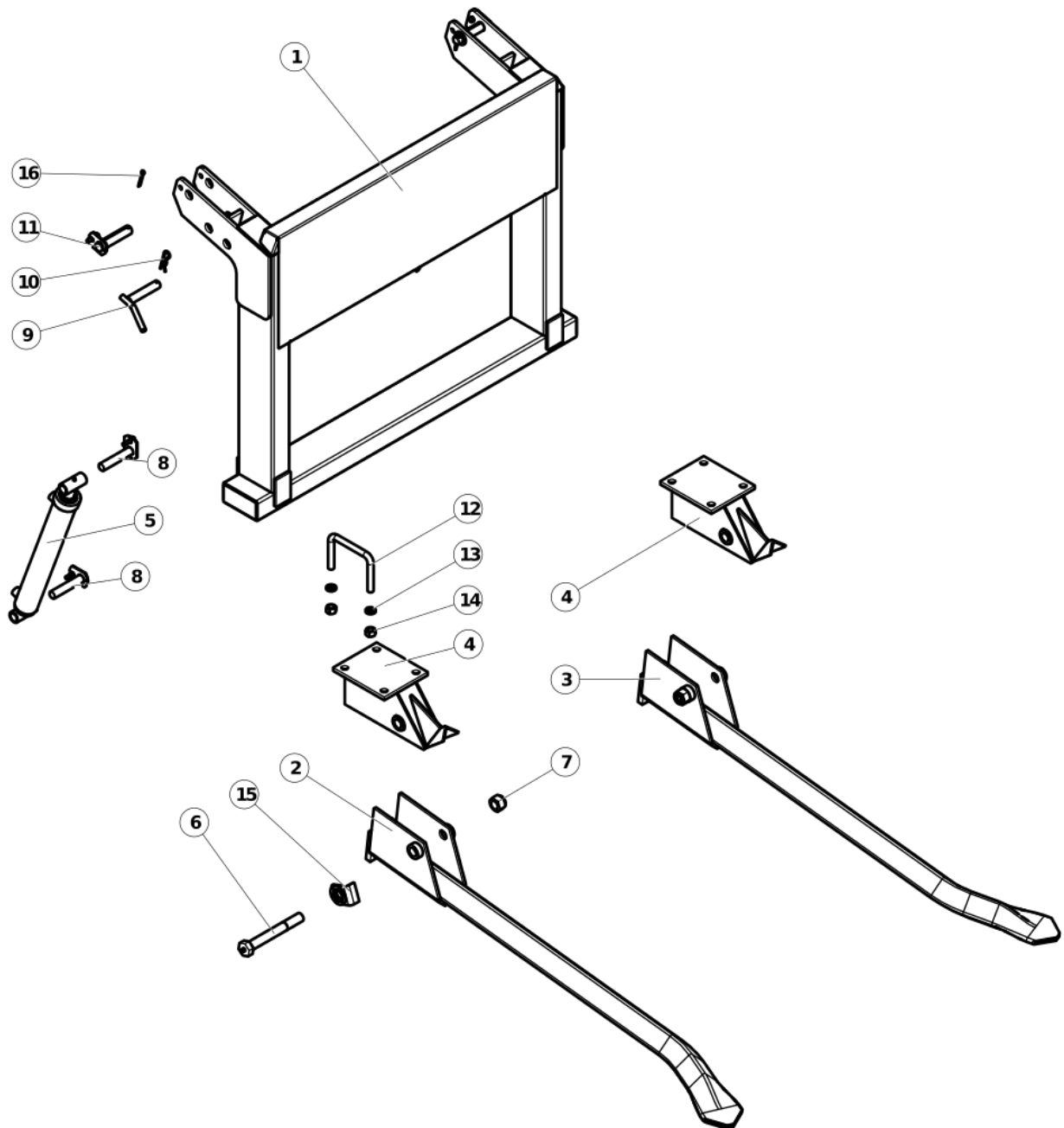


REF #	PART #	DESCRIPTION	QTY
1	RNJ628000018	Access Door Weldment	1
2	YBHH16065	Hex Bolt - 1/2" NC x 2" Gr.5 PL	2
3	YNNY16005	Nyloc Nut - 1/2" NC Gr.5 PL	2
4	YBHH08010	Hex Bolt - 1/4" NC x 1" Gr.5 PL	1
5	YWFL08005	Flat Washer - 1/4" USS PL	1
6	RN1471000410	Round Rubber Bumper Pad	1
7	YNNY08005	Nyloc Nut - 1/4" NC Gr.5 PL	9
8	YBHH08100	Hex Bolt - 1/4" NC x 3/4" Gr.5 PL	8
9	RN1540000177	Toggle Clamp	2

8.9 Load Frame Assembly

REF #	PART #	DESCRIPTION	QTY
1	RNJ628000034	Lift Frame Weldment	1
2	RNJ628000040	Bale Tine Weldment - Left	1
3	RNJ628000041	Bale Tine Weldment - Right	1
4	RNJ628000038	Tine Mount Weldment	2
5	RN1070000203	Hydraulic Cylinder - 2-1/2" x 14-1/4"	2
*	RN1070000502	STAR CYLINDER SEAL KIT	*
6	RNJ728000072	Grease Bolt - Tine Mount Pin	2
7	RN1672000695	Nyloc Nut 1-1/8" NC Gr.5 PL	2
8	RN0661000004	Pin - Lift Cylinder	4
*	YBHH12025	Hex Bolt - 3/8" NC x 1-1/2 Gr.5 PL	8
*	YWFL12010	Flat Washer - 3/8" SAE	16
*	YNNY12005	Nyloc Nut - 3/8" NC Gr.5 PL	8
9	RN0661000002	Pin - Transport Lock	1
10	RN1613000777	Hair Pin - 5/32" x 3-15/16"	1
11	RN0661000003	Pin - Lift Frame	2
*	YBHH12025	Hex Bolt - 3/8" NC x 1-1/2 Gr.5 PL	2
*	YWFL12010	Flat Washer - 3/8" SAE	4
*	YNNY12005	Nyloc Nut - 3/8" NC Gr.5 PL	2
12	RN1590000430	U-Bolt - 3/4" x 6-7/8" x 4-5/8"	4
13	YWLO24015	Lock Washer - 3/4" NC Gr. 8 PL	8
14	YNHX24006	Hex Nut - 3/4" NC Gr.8 PL	8
15	RNJ628000131	Tine Retainer	2
16	YPCT08007	Cotter Pin - 1/4" x 2"	2

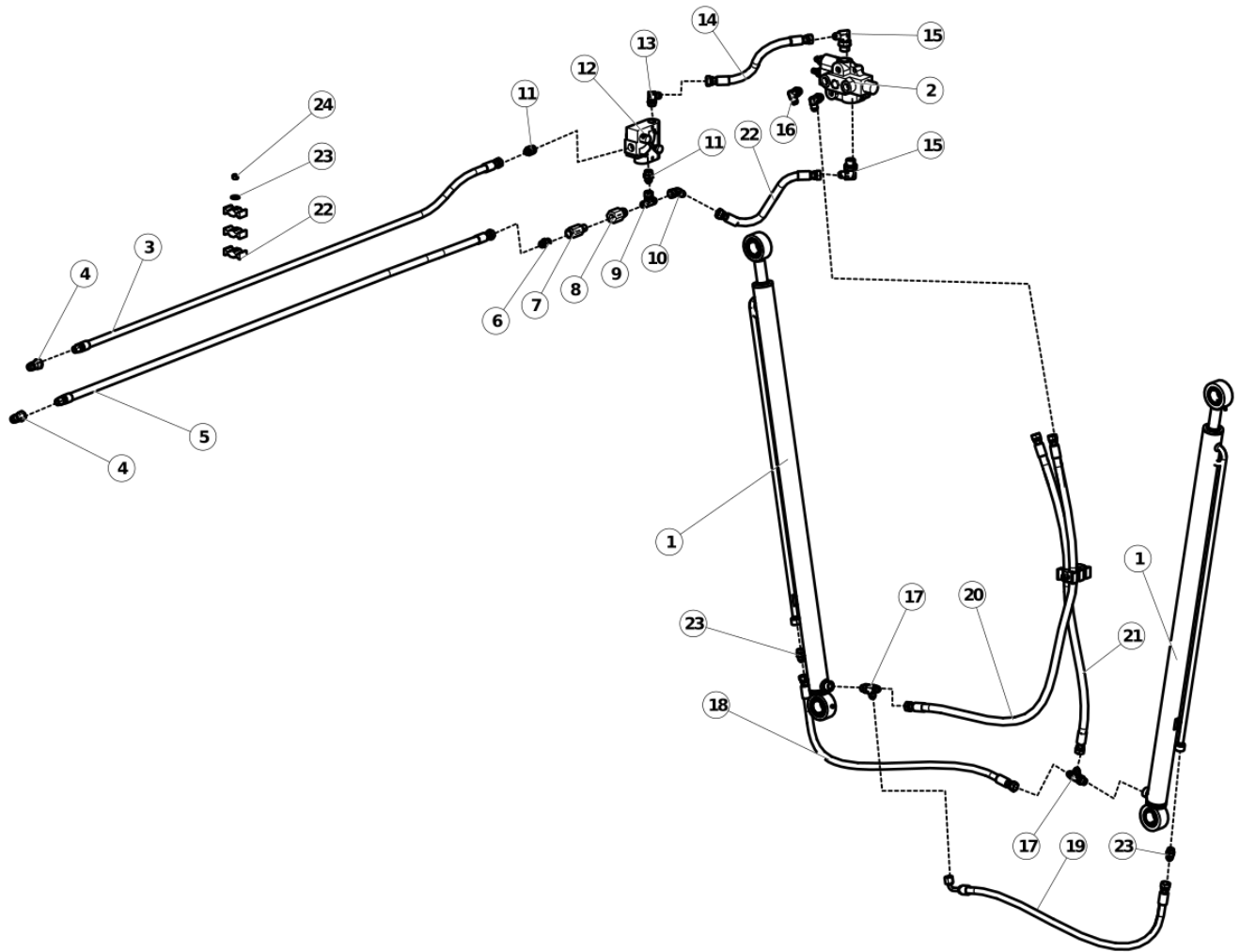
8.9 Load Frame Assembly



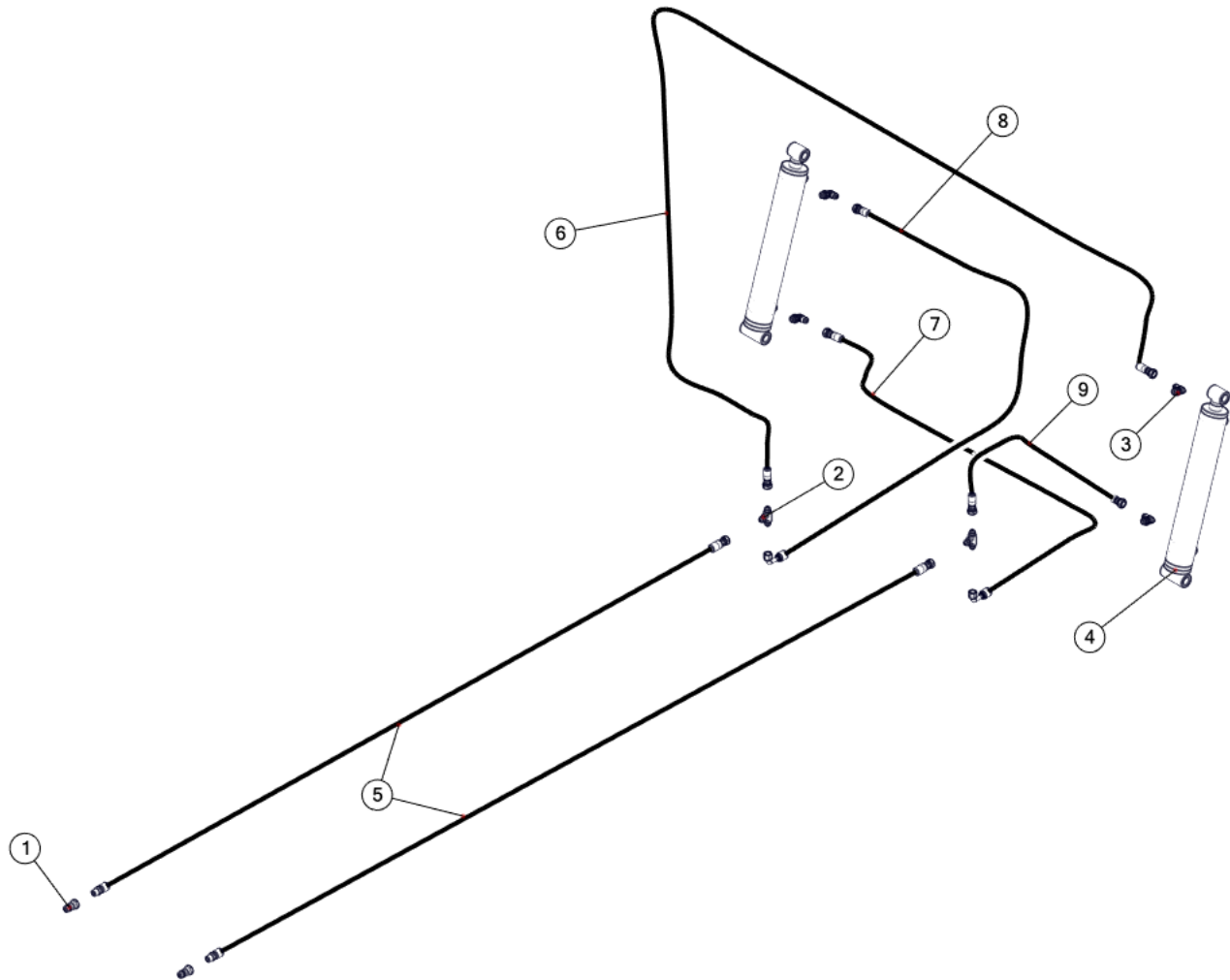
8.10 Cradle Hydraulics

REF #	PART #	DESCRIPTION	QTY
1	RN1070000202	Cradle Cylinder - SB427 2" x 46.25"	2
*	RN1070000500	STAR CYLINDER SEAL KIT	*
2	RN1101000424	Single Spool Valve	1
3	RN3935000084	Hydraulic Hose - 1/2" x 84" x #8 JICF x 1/2" MPT	1
4	DWM205	Hydraulic - Q/C Male Poppet 1/2" FNPT	2
5	RN3935000087	Hydraulic Hose - 1/2" x 87" x #8 JICF x 1/2" MPT	1
6	TFM90	Hex Nipple - 1/2" MNPT x #8 JICM	1
7	RN1110000200	Check Valve - 1/2" MNPT x 1/2" FNPT	1
8	RN0865000108	Coupler - 1/2" FPT x #8 JICF	1
9	TS139	Tee - #8 JICM x #8 JICM x #8 JICF (Drop)	1
10	58193	Elbow 45° - #8 JICF x #8 JICM	1
11	GM27	Hex Nipple - #8 JICM x #10 ORBM	2
12	GM20	Flow Control	1
13	GM19	Elbow 90° - #10 ORBM x #8 JICM	1
14	RN3935000013	Hydraulic Hose - 1/2" x 13" x #8 JICF x #8 JICF	1
15	TFM87	Elbow 90° - #12 ORBM x #8 JICM	2
16	TS135	Elbow 90° - #8 JICM x #8 ORB-sw	2
17	RN0851000908	Tee - #8 ORBM x #8 JICM x #8 JICM	2
18	RN3934000037	Hydraulic Hose - 3/8" x 27" x #8 JICF x #8 JICF	1
19	RN3934000038	Hydraulic Hose - 3/8" x 38" x #8 JICF x #8 JICF 90°	1
20	RN3935000058	Hydraulic Hose - 1/2" x 58" x #* JICF x #8 JICF	1
21	RN3935000039	Hydraulic Hose - 1/2" x 39" x #* JICF x #8 JICF	1
22	RN3935000014	Hydraulic Hose - 1/2" x 14" x #* JICF x #8 JICF	1
23	TS137	Hex Nipple - #8 JICM x #8 ORBM	2

8.10 Cradle Hydraulics



8.11 Lift Cylinder Hydraulics

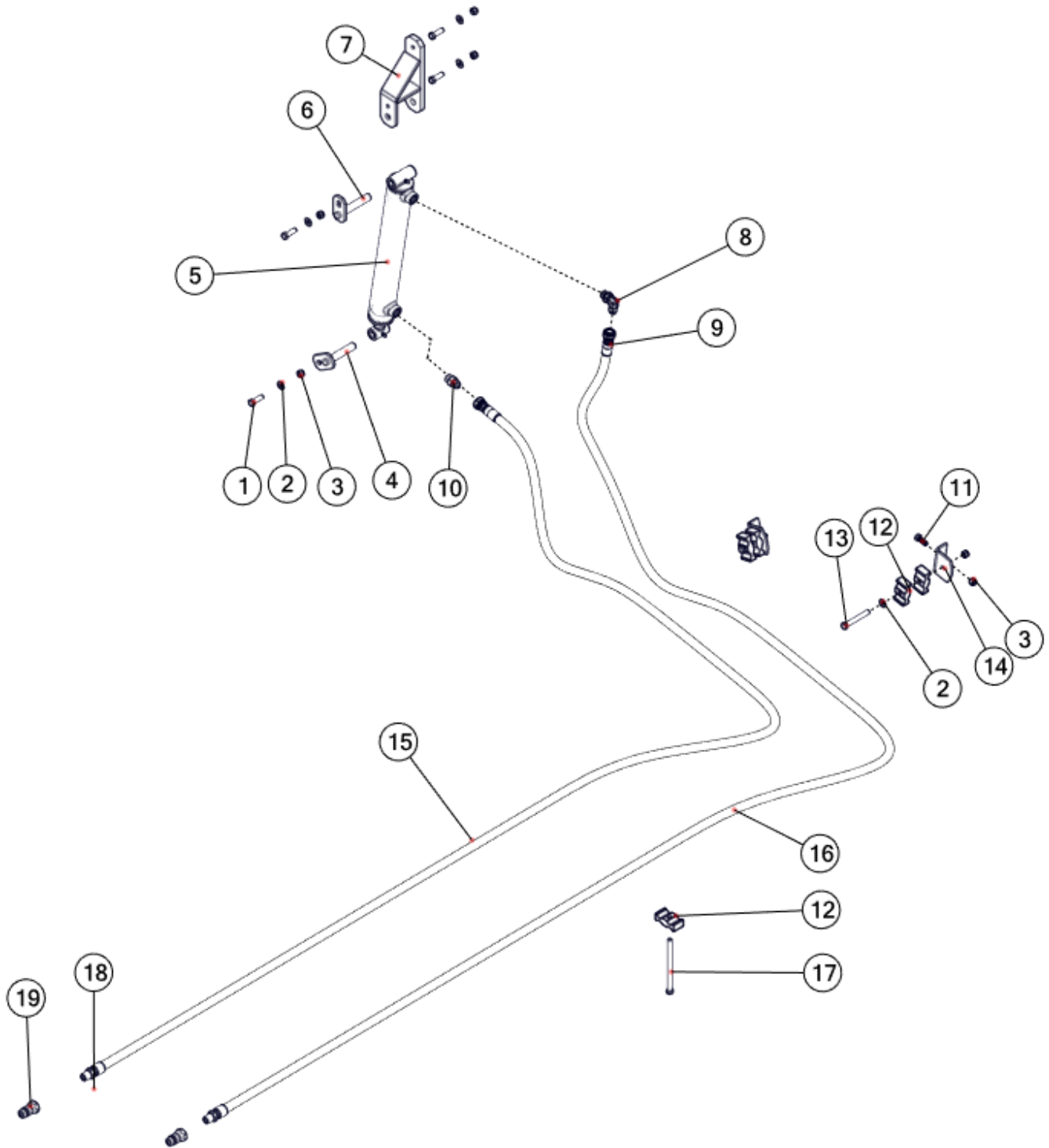


REF #	PART #	DESCRIPTION	QTY
1	DWM205	Hydraulic - Q/C Male Poppet 1/2" FPT	2
2	81311	Tee - #8 JICM x #8 JICM x #8JICM	2
3	TS135	Elbow - #8 JICM-sw x #8 ORBM	4
4	RN1070000203	2.5" Cylinder x 17.25" Stroke	2
*	RN1070000502	2.5" Lift Cylinder Seal Kit	*
5	RN3935000241	Hydraulic Hose - 1/2" x 241" x #8 JICF x 1/2" MPT	2
6	RN3934000021	Hydraulic Hose - 3/8" x 21" x #8 JICF x #8 JICF	1
7	RN3934000029	Hydraulic Hose - 3/8" x #8JICF x #8JICF long 90deg	1
8	RN3934000041	3/8" x 41" x #8 JICF x #8 JICF 90 deg	1
9	RN3934000018	Hydraulic Hose - 3/8" x 18" x #8 JICF x #8 JICF	1

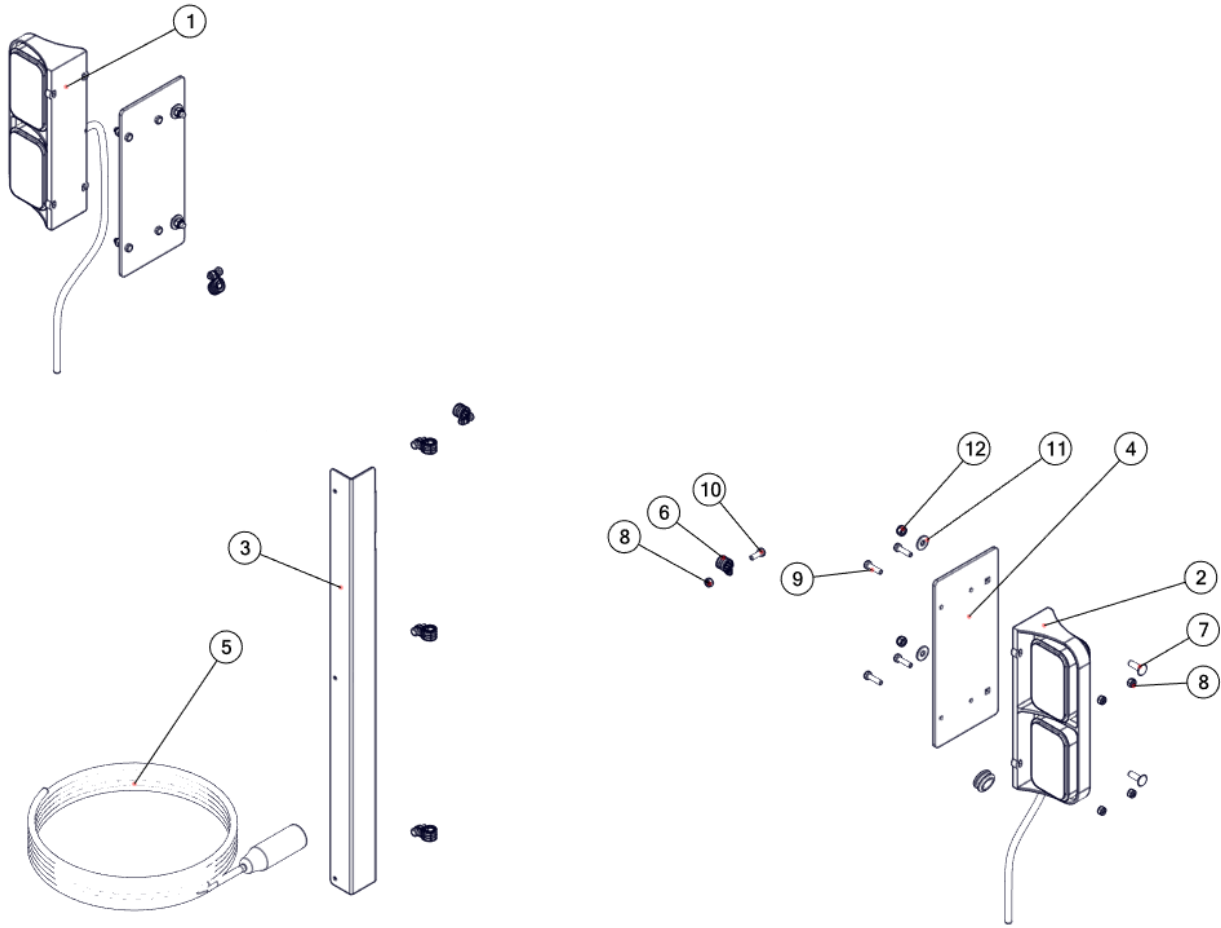
8.12 Hydraulic Deflector Kit (Optional) (J80000-0030.01)

REF #	PART #	DESCRIPTION	QTY
1	YBHH12035	Hex Bolt - 3/8" NC x 1-1/4" Gr.5 PL	4
2	YWFL12010	Flat Washer - 3/8" SAE	6
3	YNNY12005	Nyloc Nut - 3/8" NC Gr.5 PL	8
4	RN0661000032	Pin - 5/8" x 3-1/4" Plated	1
5	RN1070000204	2" Hydraulic Cylinder x 13-1/2" Stroke	1
*	RN1070000501	Seal Kit for 2" Deflector Cylinder	*
6	RN0664000033	Pin - 5/8" x 3-11/16" Plated	1
7	RNJ628000043	Cylinder Deflector Mount	1
8	TS135	Elbow - #8 ORBM x #8 JICM	1
9	RN0736000608	Hose End - 3/8" dia x #8 JICF-sw	2
10	RN0810000107	Orifice Adapter - #8 ORBM x #8 JICM x .031" Hole Dia	1
11	YBHH12010	Hex Bolt - 3/8" NC x 1" Gr.5 PL	2
12	RN0700000601	Hose Clamp Half	5
13	YBHH12120	Hex Bolt - 3/8" NC x 3" Gr.5 PL	2
14	RNJ400000964	Hose Tab	2
15	RN3934000149	Hydraulic Hose - 3/8" x 149" x #8 JICF x 1/2" MPT	1
16	RN3934000165	Hydraulic Hose - 3/8" x 165" x #8 JICF x 1/2" MPT	1
17	YBHH12225	Hex Bolt - 3/8"NC x 6" Gr.5 PL	1
19	DWM205	Hydraulic - Q/C Male Poppet 1/2" FPT	2

8.12 Hydraulic Deflector Kit (Optional) (J80000-0030.01)



8.13 Light Kit (Optional) (J80000-0055.00)



REF #	PART #	DESCRIPTION	QTY
1	RN1470000600	LED Dual Tail Light Kit - Left	1
2	RN1470000601	LED Dual Tail Light Kit - Right	1
3	RNJ400001026	Light Cable Tray	1
4	RNJ400001025	Light Mount Plate	2
5	RN1470000616	2958 Light Harness	1
6	RN1471000430	Rubber Cushion Clamp	7
7	YBCR10010	Carriage Bolt - 5/16" x 1" Gr.5 PL	2
8	YNNY08005	Nyloc Nut - 1/4" NC Gr.5 PL	15
9	YBHH08010	Hex Bolt - 1/4" NC x 1" Gr.5 PL	8
10	YBHH08100	Hex Bolt - 1/4" NC x 3/4" Gr.5 PL	7
11	YWFL10005	Flat Washer - 5/16" USS PL	8
12	YNNY10005	Nyloc Nut - 5/16" NC Gr.5 PL	8

H&S MFG. CO.

Products approved
for the

FEMA SEAL OF QUALITY

