



CH3122

CHASSIS

PARTS BOOK

Part #91244 HSMFG050421 Rev. #00 Starting Ser. #121CH32202

STRONG HERITAGE - STRONG PEOPLE - STRONGER FUTURE

CONTENTS

Instructions for Ordering Parts - About Improvements	1
Figure 1 - Main Frame & Components	2-3
Figure 2 - Tandem Beam & Components	4-5
Figure 3 - Tire & Wheel Package TWP425S.....	6-7
Figure 4 - Tire & Wheel Package TWP19LS	8-9
Figure 5 - Optional Hitches	10-11
Figure 6 - Optional CHO5CMK6 Spacer Kit	12-13
Figure 7 - Optional CHO5CMK8 Spacer Kit	14-15
Figure 8 - Optional CHO6SCL Scale System	16-19
Figure 9 - Optional CHO22BRK Brake System	20-25
Parts Notes	26

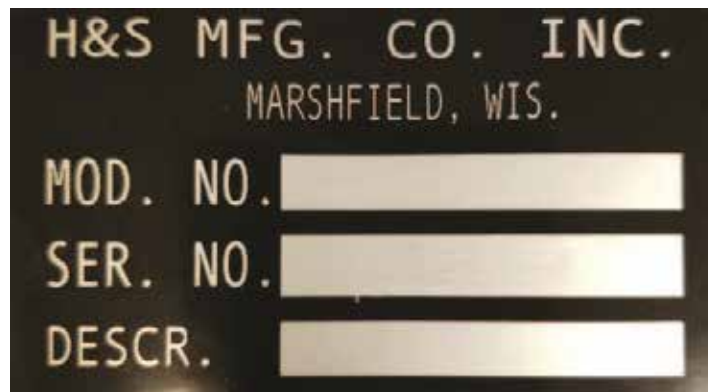
INSTRUCTIONS FOR ORDERING PARTS

All service parts should be ordered through your authorized H&S dealer. He will be able to give you faster service if you will provide them with the following:

1. Model & Serial Number - Both can be located on the center of the main front plate.
2. All references to left or right apply to the machine as viewed from the rear.
3. Parts should not be ordered from illustration only. Please order complete part number.
4. If your dealer has to order parts - give shipping instructions:

VIA truck - large pieces (please specify local truck lines)

VIA United Parcel Service (include full address)



H&S MFG. CO. INC.
MARSHFIELD, WIS.
MOD. NO.
SER. NO.
DESCR.

PLEASE RECORD NUMBERS FOR YOUR UNIT FOR QUICK REFERENCE

ABOUT IMPROVEMENTS

H&S IS CONTINUALLY STRIVING TO IMPROVE ITS PRODUCTS

We must, therefore, reserve the right to make improvements or changes whenever it becomes practical to do so, without incurring any obligation to make changes or additions to the equipment previously sold.

FIGURE 1
MAIN FRAME & COMPONENTS

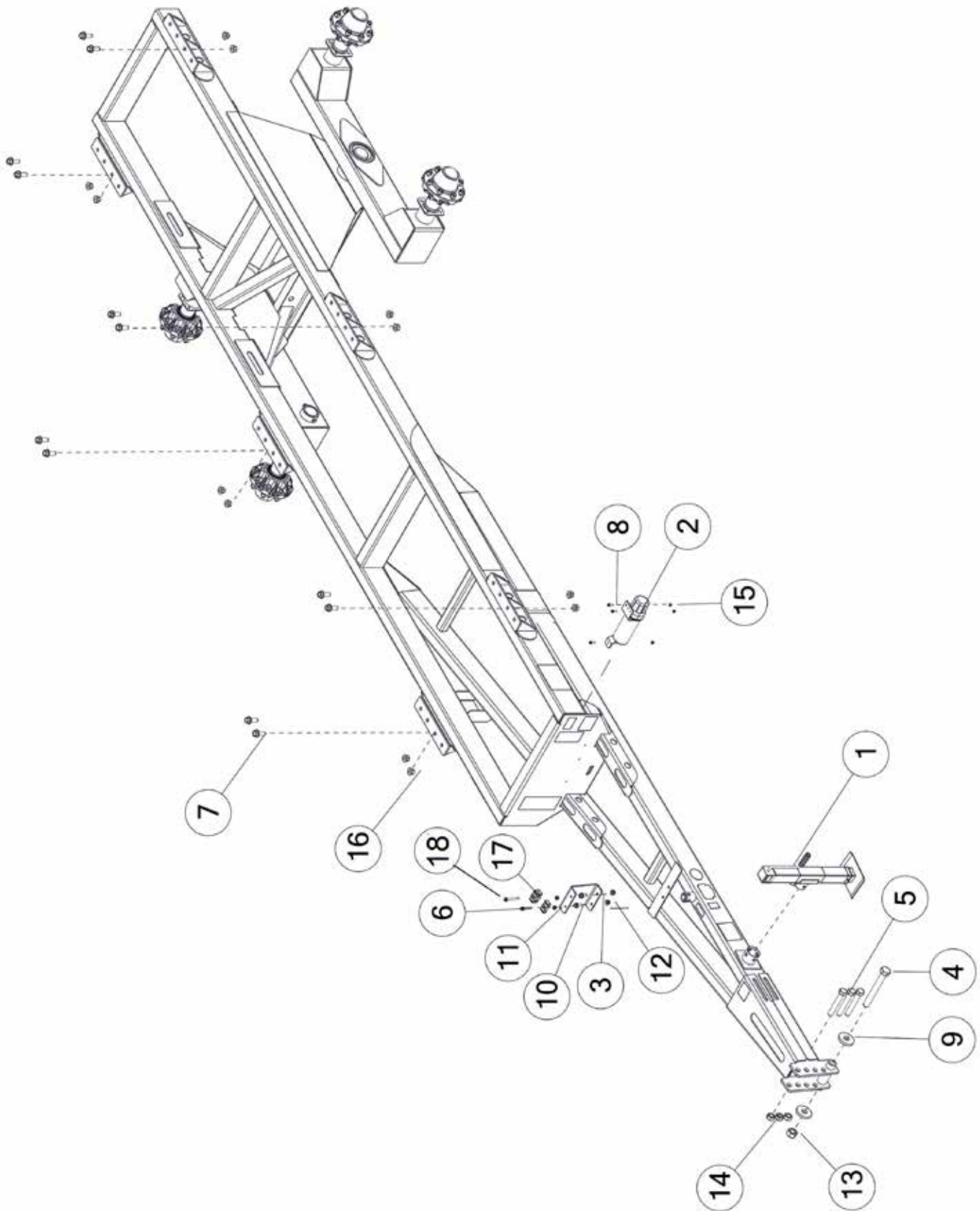


FIGURE 1

MAIN FRAME & COMPONENTS

<u>ITEM</u>	<u>QTY</u>	<u>PART#</u>	<u>DESCRIPTION</u>
1	1	TS306	7000 LB SQUARE JACK 15" TRAVEL
2	1	S522	MANUAL HOLDER
3	1	91169	BRACKET, HYD HOSE
4	1	YBHH40010	BOLT HEX, 1-1/4 X 10, G5
5	3	YBHH32028	BOLT HEX, 1-8 X 6-1/2 G8 ZY
6	1	YBFB12225	BOLT FLANGE, 3/8 X 2-1/4 G5
7	12	YBFB24200	BOLT FLANGE, 3/4 X 2 G5
8	3	YBFB08100	BOLT FLANGE, 1/4 X 1 G5
9	2	88825	WASHER FLAT, 1-1/4
10	2	YBFB16125	BOLT FLANGE, 1/2 X 1-1/4 G5
11	2	YNFG12006	NUT FLANGE, 3/8 GF
12	2	YNFG16003	NUT FLANGE, 1/2 GF
13	1	YNHX36010	NUT HEX, 1-1/4-7 NAA ZC
14	3	YNL32005	NUT HEX, 1-8 LKTL C ZC
15	3	YNFG08010	NUT FLANGE, 1/4 GF
16	12	YNFG24006	NUT FLANGE, 3/4-10 LKTL G ZC
17	3	86567	DOUBLE CLAMP, UNIVERSAL
18	1	YBFB12350	BOLT FLANGE, 3/8 X 3-1/2 G5
*	1	SC60000	SAFETY CHAIN, OPTIONAL

* NOT SHOWN

FIGURE 2 **TANDEM BEAM & COMPONENTS**

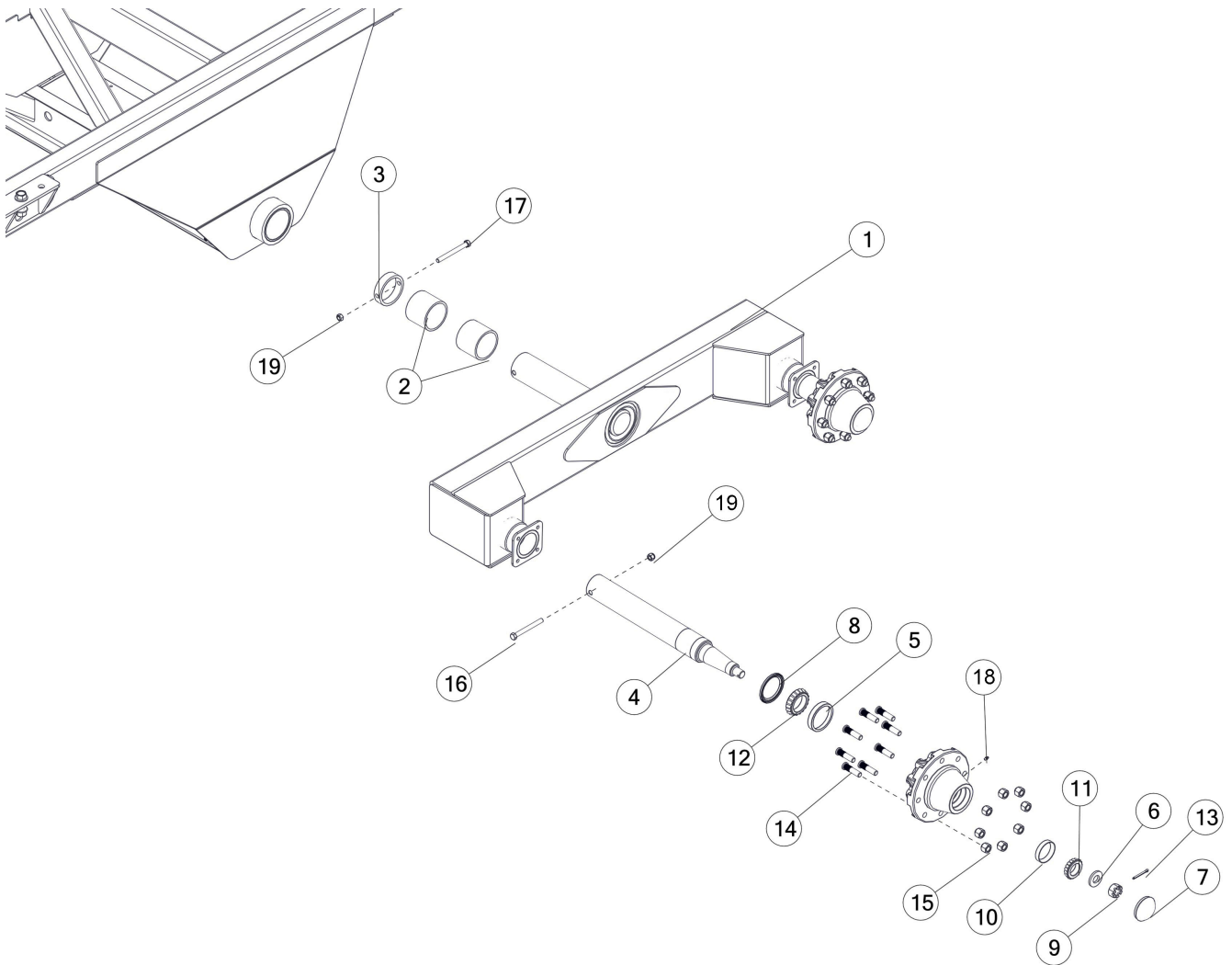


FIGURE 2

TANDEM BEAM & COMPONENTS

<u>ITEM</u>	<u>QTY</u>	<u>PART#</u>	<u>DESCRIPTION</u>
1	1	87448	TANDEM BEAM, LH
*	1	87451	TANDEM BEAM, RH
2	4	45N36	POLY BUSHING
3	2	45N35	AXLE KEEPER
4	4	50N5	SPINDLE
5	4	33SV44	INNER RACE
6	4	33SV95	SPINDLE WASHER
7	4	RG171	HUB CAP
8	4	33SV42	GREASE SEAL
9	4	YNSL32005	NUT SLOT, 1-14 NA G2 NF
10	4	17G149	RACE
11	4	17G150	TAPERED ROLLER BEARING, 1.625 BORE
12	4	33SV43	TAPERED ROLLER BEARING, 2.25 BORE
13	4	YPCT07005	COTTER PIN, 7/32 X 2
14	32	YBSD20010	BOLT STUD, 5/8 X 2-1/2 G8
15	32	YNWL20005	NUT WHEEL, 5/8-18 NA G5 ZC
16	4	YBHH16150	BOLT HEX, 1/2 X 4-3/4 G5
17	2	YBHH16155	BOLT HEX, 1/2 X 5 G5
18	4	G89	STRAIGHT ZERK, 1/4-28
19	6	YNL16005	NUT HEX, 1/2-13 LKTL C ZC
*	1	33SV45	HUB WITH RACES AND STUDS

FIGURE 3
TIRE & WHEEL PACKAGE TWP425S

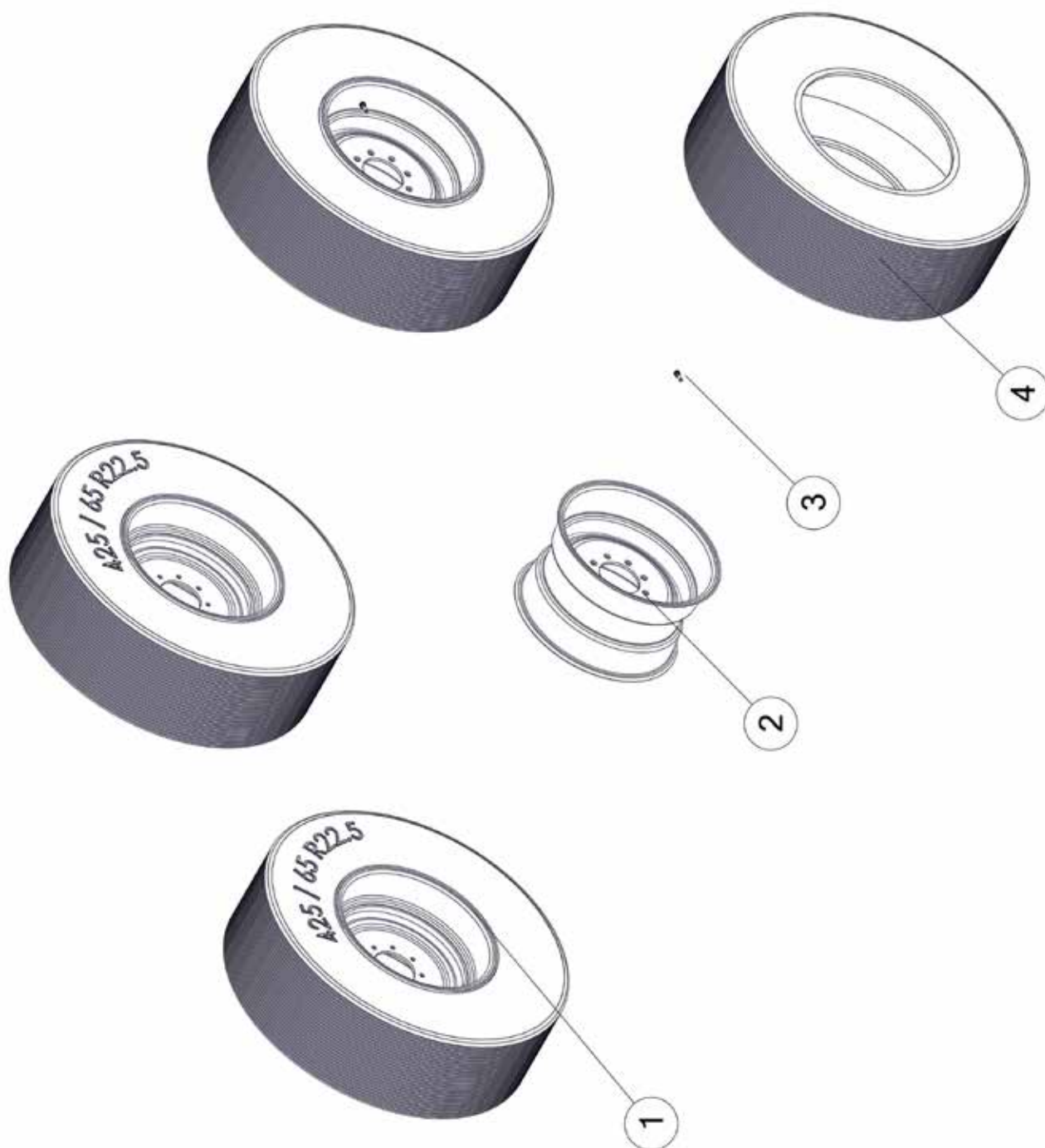


FIGURE 3
TIRE & WHEEL PACKAGE TWP425S

<u>ITEM</u>	<u>QTY</u>	<u>PART#</u>	<u>DESCRIPTION</u>
1	4	90192	ASSEMBLY, TIRE AND WHEEL
2	4	90185	WHEEL, 22.5 X 13.5 8 BOLT SILVER
3	4	72438	VALVE STEM, 1-1/2 HEX NUT
4	4	16SV88	TIRE, 425-65 X 22.5
*	1	TWP425S	(4) 425 X 22.5 USED TRUCK TIRES W/SILVER 8 BOLT RIMS

* NOT SHOWN

FIGURE 4
TIRE & WHEEL PACKAGE TWP19LS

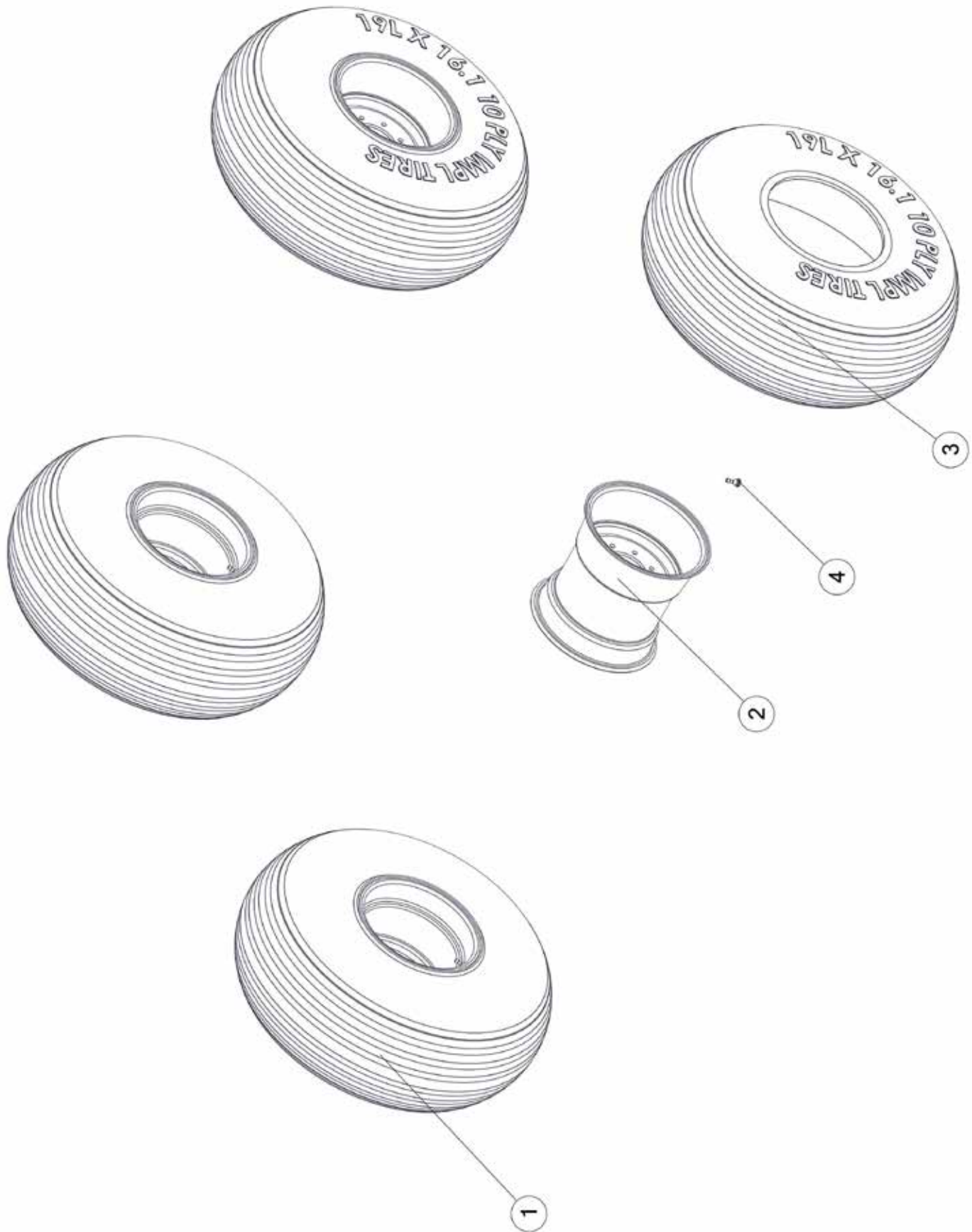


FIGURE 4
TIRE & WHEEL PACKAGE TWP19LS

<u>ITEM</u>	<u>QTY</u>	<u>PART#</u>	<u>DESCRIPTION</u>
1	4	90193	ASSEMBLY, TIRE AND WHEEL
2	4	90186	WHEEL, W16C-16.1 8 BOLT SILVER
3	4	UR8	IMPL TIRES, 19L X 16.1 10 PLY
4	4	72437	VALVE STEM, 1.25 HD
*	1	TWP19LS	(4) 19L X 16.1 10 PLY TIRES W/ SILVER 8 BOLT RIMS

* NOT SHOWN

FIGURE 5
OPTIONAL HITCHES

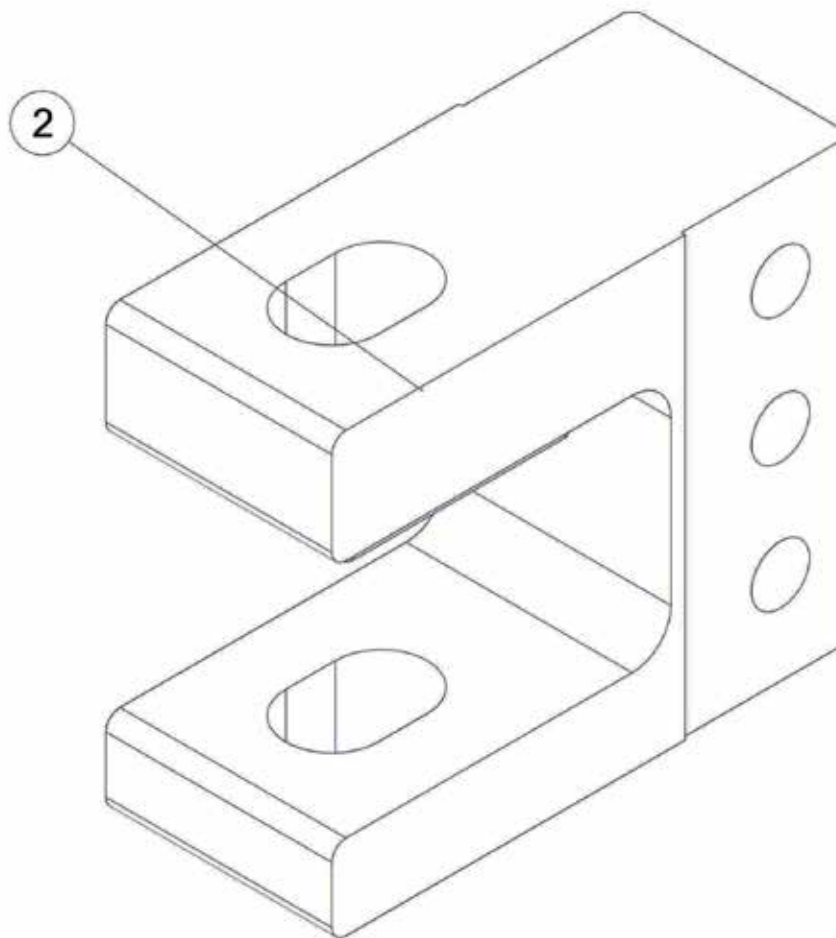
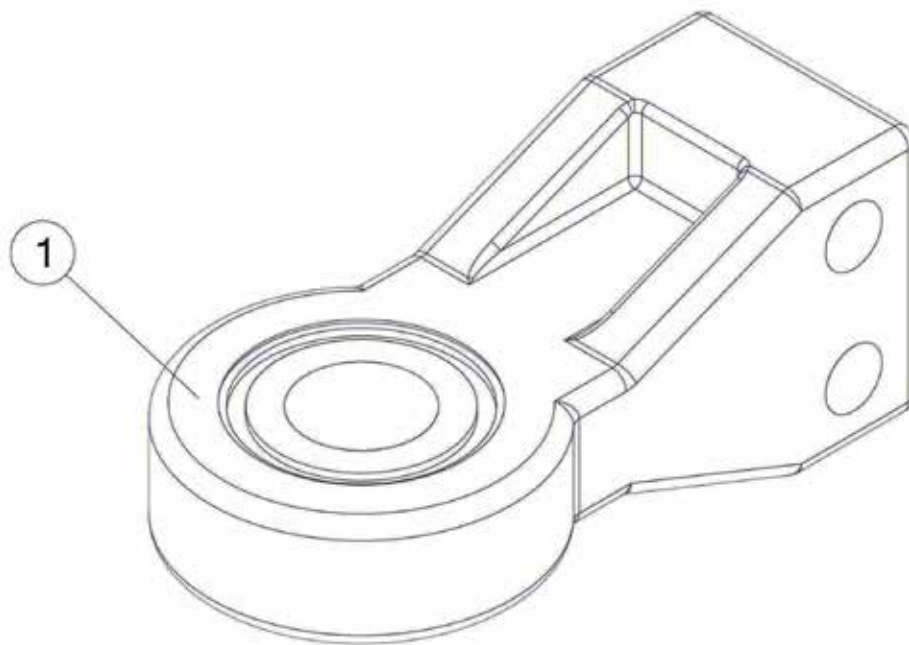


FIGURE 5
OPTIONAL HITCHES

<u>ITEM</u>	<u>QTY</u>	<u>PART#</u>	<u>DESCRIPTION</u>
1	1	HTCHB	HITCH, BULLNOSE
2	1	HTCHC	HITCH, CLEVIS

FIGURE 6
OPTIONAL CHO5CMK6 SPACER KIT

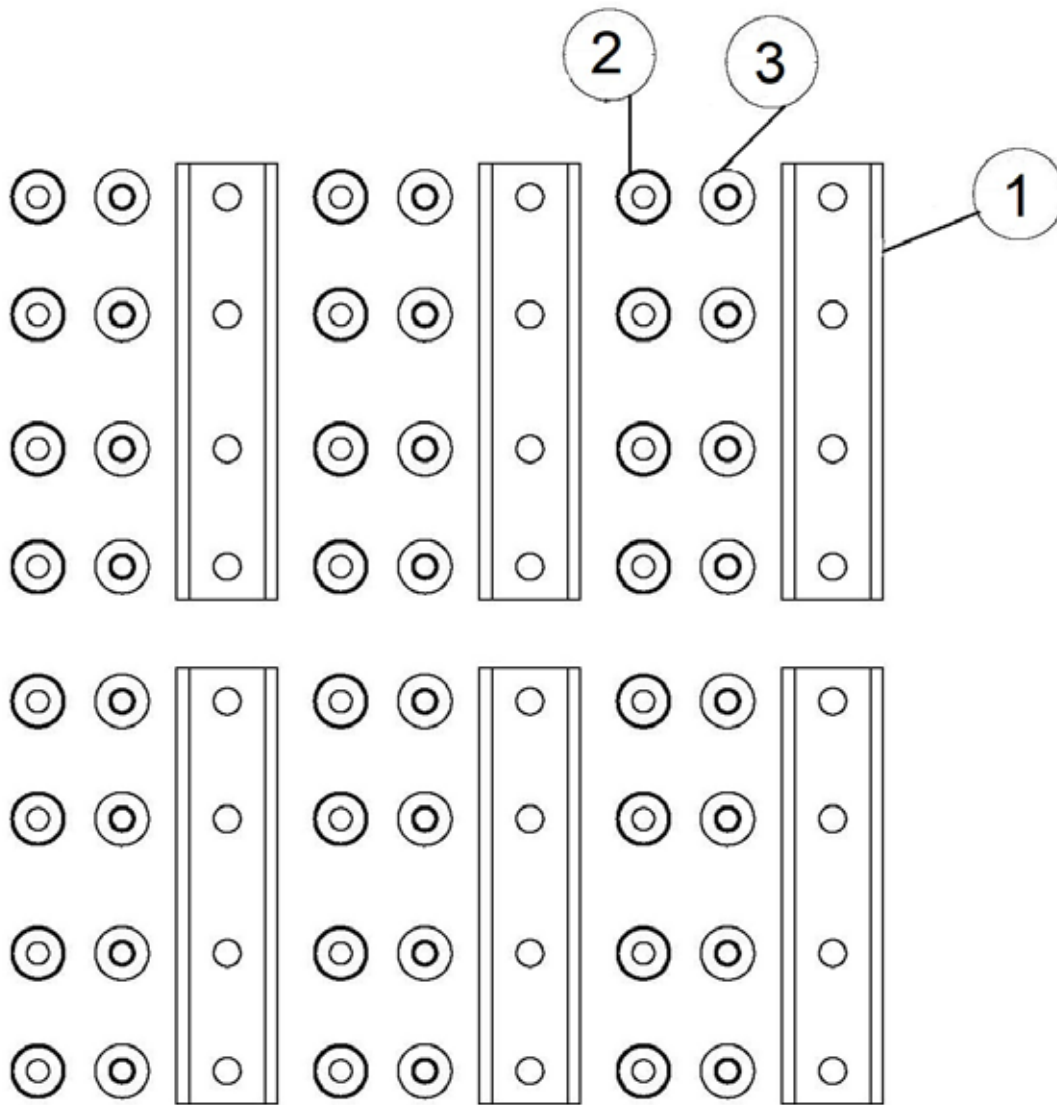


FIGURE 6
OPTIONAL CHO5CMK6 SPACER KIT

<u>ITEM</u>	<u>QTY</u>	<u>PART#</u>	<u>DESCRIPTION</u>
1	6	91115	SPACER
2	24	YNFG24006	NUT FLANGE, 3/4-10 LKTL G ZC
3	24	YBFB24400	BOLT FLANGE, 3/4 X 4 G5

FIGURE 7
OPTIONAL CHO5CMK8 SPACER KIT

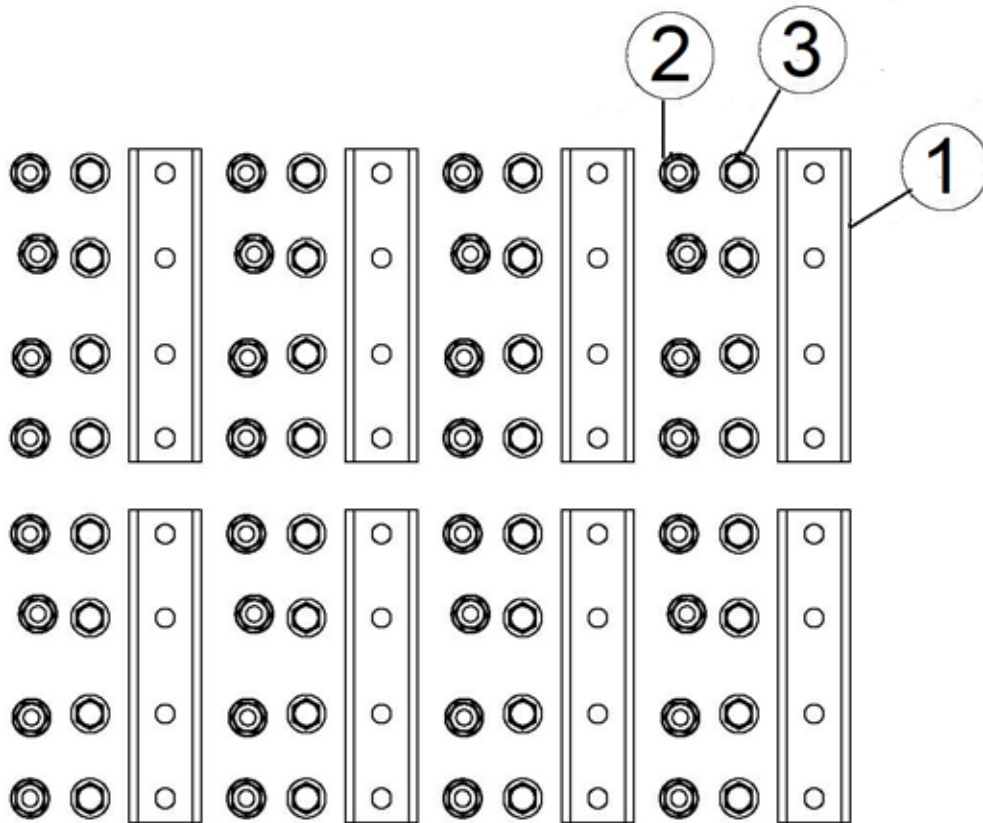


FIGURE 7
OPTIONAL CHO5CMK8 SPACER KIT

<u>ITEM</u>	<u>QTY</u>	<u>PART#</u>	<u>DESCRIPTION</u>
1	8	91115	SPACER
2	32	YNFG24006	NUT FLANGE, 3/4-10 LKTL G ZC
3	32	YBFB24400	BOLT FLANGE, 3/4 X 4 G5

FIGURE 8 **OPTIONAL CHO6SCL SCALE SYSTEM**

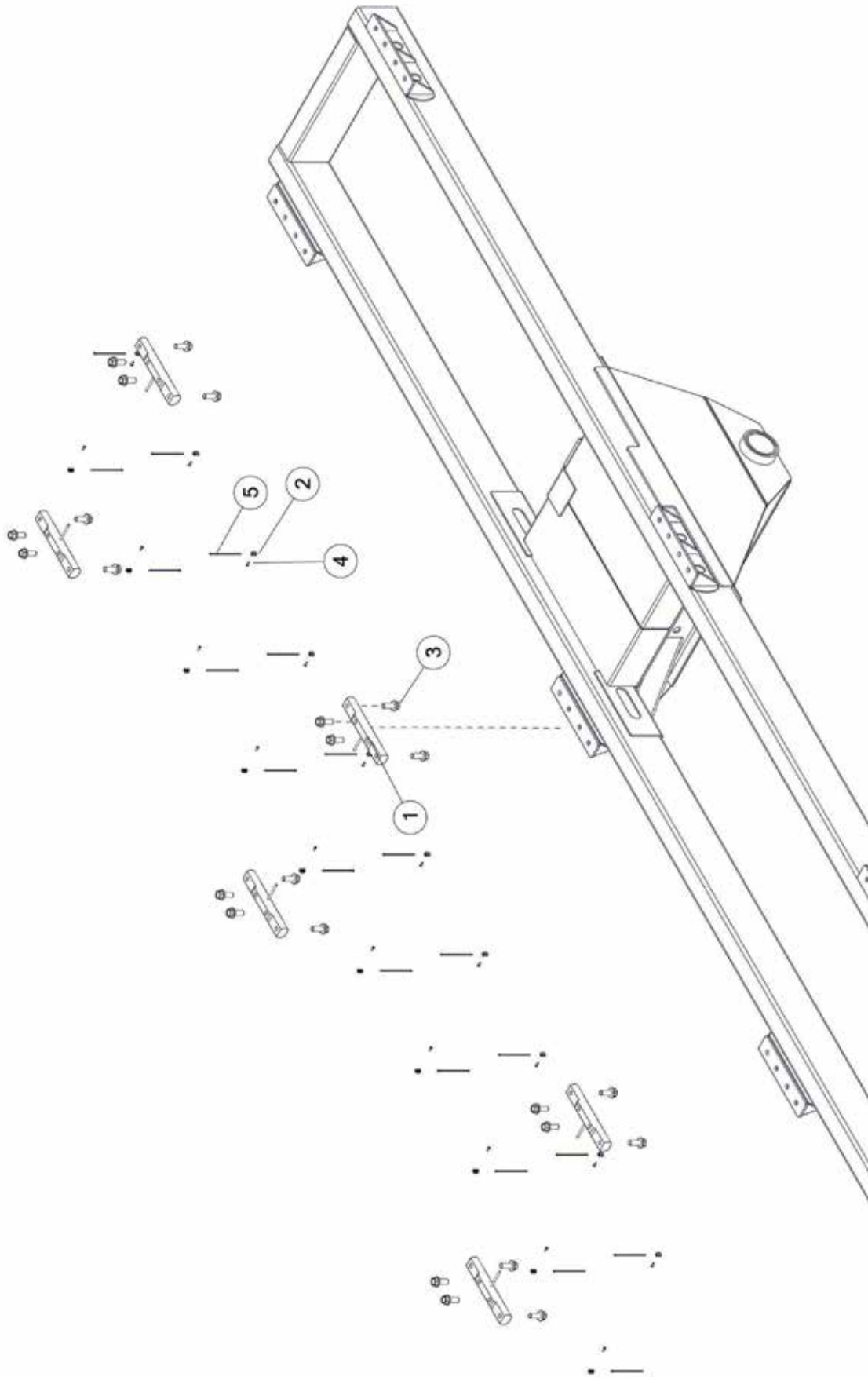


FIGURE 8
OPTIONAL CHO6SCL SCALE SYSTEM

<u>ITEM</u>	<u>QTY</u>	<u>PART#</u>	<u>DESCRIPTION</u>
1	6	90363	LOAD CELL
2	22	71890	CABLE TIE HOLD DOWN
3	24	YBFB24200	BOLT FLANGE, 3/4 X 2 G5
4	22	YSTC64005	THREAD CUTTING SCREW, PAN HEAD, 10-32 X 1/2
5	22	CIZT108	ZIPTIE, 6 X .14 X .05

FIGURE 8 **OPTIONAL CHO6SCL SCALE SYSTEM**

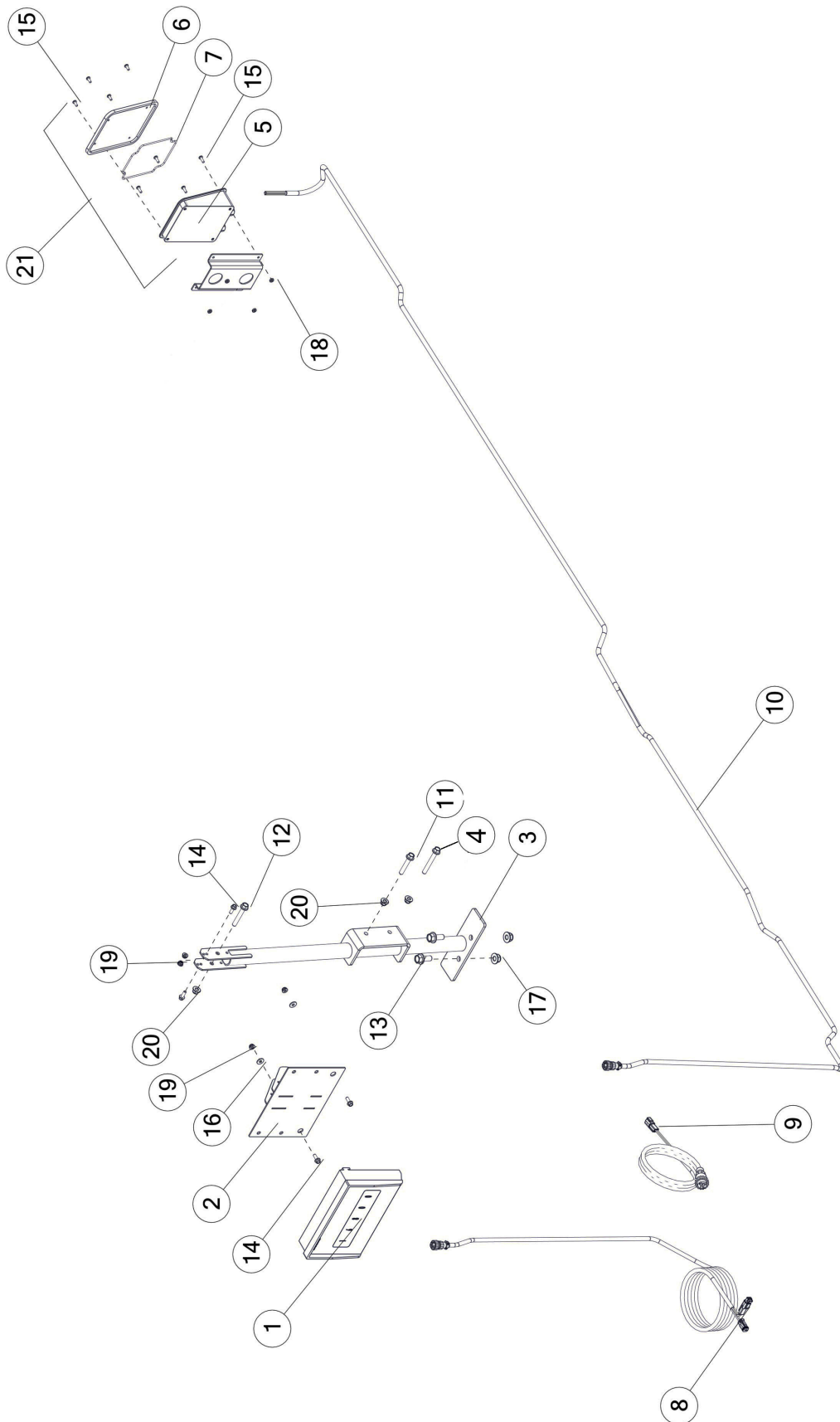


FIGURE 8

OPTIONAL CHO6SCL SCALE SYSTEM

<u>ITEM</u>	<u>QTY</u>	<u>PART#</u>	<u>DESCRIPTION</u>
1	1	GM404	SCALE MONITOR
2	1	92335	MOUNT, SCALE HEAD
3	1	92336	BRACKET, SCALE HEAD
4	1	YBFB12300	BOLT FLANGE, 3/8 X 3 G5
5	1	71904	HSG J-BOX BOTTOM 6-8 CELL
6	1	71911	HSG-J BOX TOP
7	1	71909	GASKET, J-BOX HOUSING
8	1	92356	ELECTRIC HARNESS, SCALE
9	1	59107	POWER CABLE
10	1	GM406	JUNCTION BOX CORD
11	2	YBFB12225	BOLT FLG, 3/8 X 2-1/4 G5 BOLT
12	1	YBFB12250	FLANGE, 3/8 X 2-1/2 G5 BOLT
13	2	YBFB16125	FLANGE, 1/2 X 1-1/4 G5 BOLT
14	4	YBFB08075	FLANGE, 1/4 X 3/4 G5 SCREW
15	8	YSPN64005	PAN HEAD, #10-24 X 5/8
16	2	YWFL08005	WASHER FLAT, 1/4
17	2	YNFG16003	NUT FLANGE, 1/2 GF
18	4	YNHX64010	NUT, HEX, MACHINE, #10-24, ZC
19	4	YNFG08010	NUT FLANGE , 1/4 GF
20	3	YNFG12006	NUT FLANGE, 3/8 GF
21	1	71914	CELL MODULE ASSY, J-BOX 6-8
*	15	CIZT115	ZIPTIE, 8 X .14 X .03

FIGURE 9
OPTIONAL CHO22BRK BRAKE SYSTEM

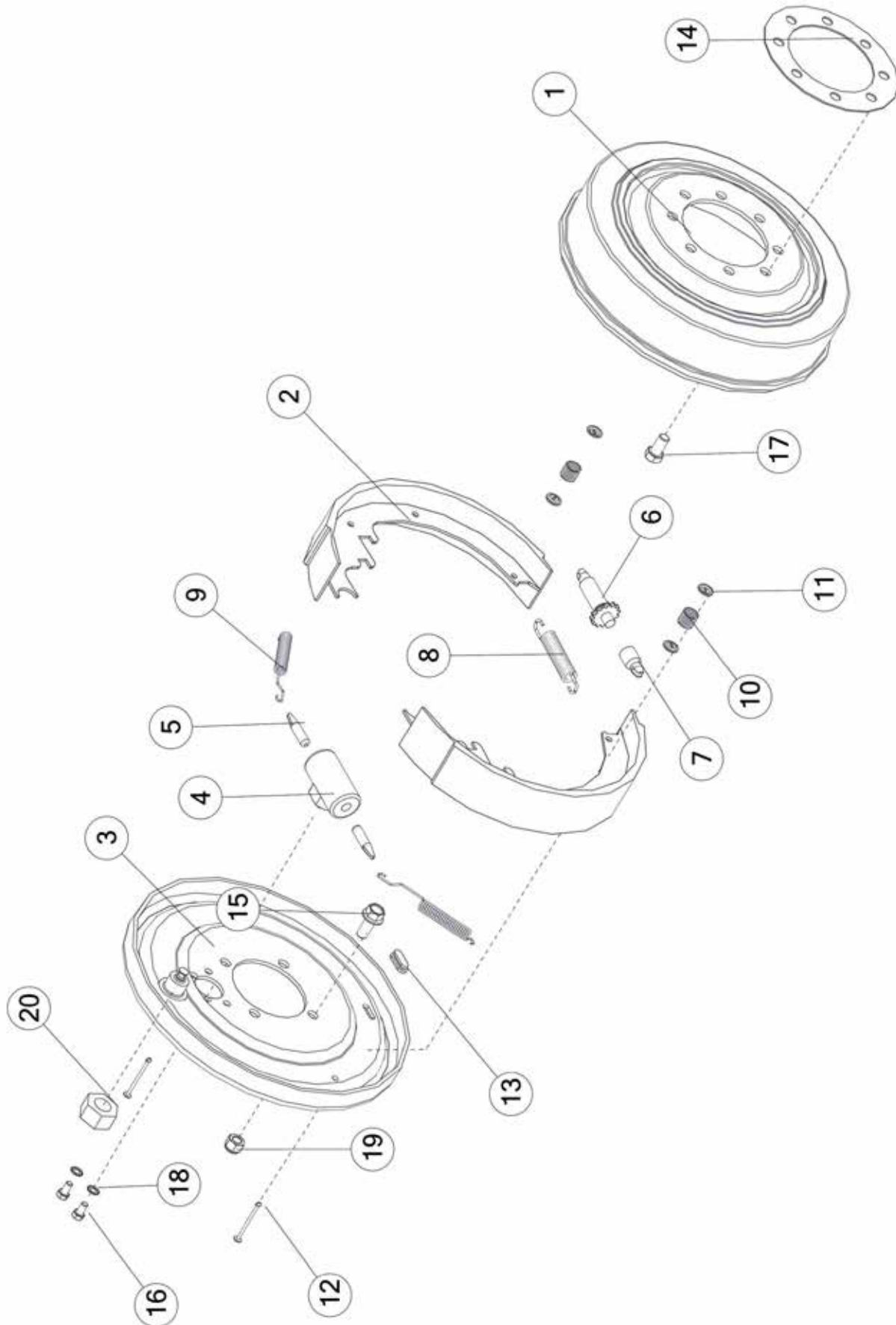


FIGURE 9

OPTIONAL CHO22BRK BRAKE SYSTEM

<u>ITEM</u>	<u>QTY</u>	<u>PART#</u>	<u>DESCRIPTION</u>
1	1	92589	BRAKE DRUM
2	2	FBC50	REAR BRAKE SHOE ASSEMBLY
3	1	74293	ASSY, BACKING PLATE, 20 TON
4	1	74292	MASTER BRAKES, 20 TON
5	2	FBC54	PUSH ROD
6	1	74289	ADJUSTING SCREW
7	1	74290	BRAKE ADJUSTER SOCKET
8	1	RGB50	SPRING ADJUSTING SCREW
9	2	RGB55	SPRING SHOE
10	2	RGB59	SPRING HOLD DOWN
11	4	RGB57	CUP SHOE HOLD DOWN
12	2	RGB56	PIN-SHOE HOLD DOWN
13	1	FBC55	ADJUSTING HOLE COVER
14	1	92564	DRUM SPACER
15	4	YBFB16125	BOLT FLANGE, 1/2 X 1-1/4 G5
16	2	YBHH10132	BOLT HEX, 5/16 X 5/8 G5
17	8	YBHH16011	BOLT HEX, 1/2 X 1 G5
18	2	YWSI10005	WASHER LOCK, STAR, 5/16
19	4	YNNY16005	NUT HEX, NYLON LOCKNUT, 1/2
20	1	YNHX32011	NUT HEX, 1 G5

FIGURE 9
OPTIONAL CHO22BRK BRAKE SYSTEM

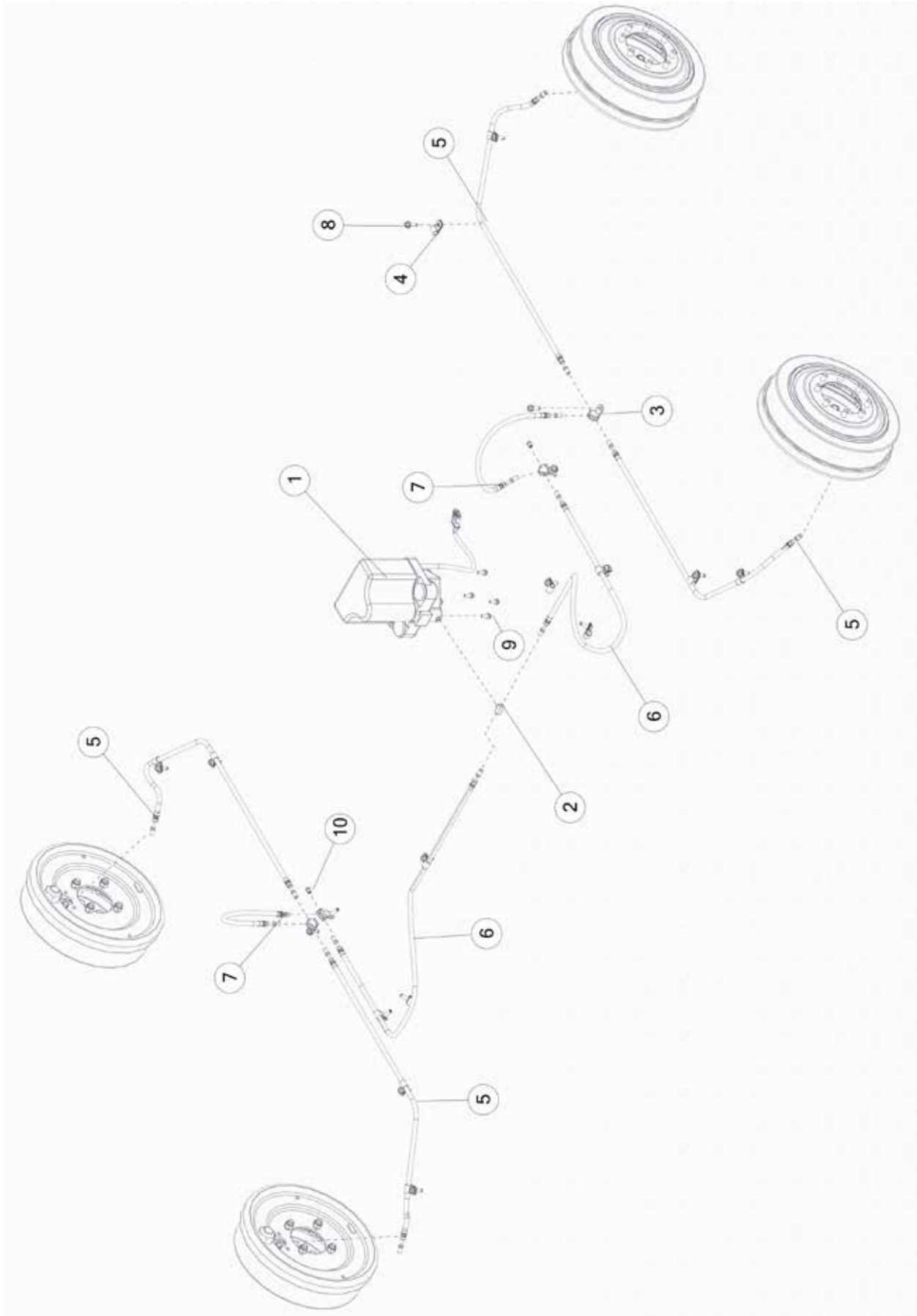


FIGURE 9
OPTIONAL CHO22BRK BRAKE SYSTEM

<u>ITEM</u>	<u>QTY</u>	<u>PART#</u>	<u>DESCRIPTION</u>
1	1	FBC41	PUMP/MASTER CYLINDER
2	1	FBC45	BRANCH TEE
3	2	RGB26	BRAKE LINE TEE
4	17	HGV162	RUBBER WIRE HOLDER, 1/2
5	4	92419	BRAKE HOSE, 36
6	2	92467	BRAKE HOSE, 48
7	2	FBC46	HYDRAULIC BRAKE HOSE
8	18	YSST10005	BOLT FLANGE, SELF THREADING, .312 X 1
9	4	YBFB08075	BOLT FLANGE, 1/4 X 3/4 G5
10	2	57176	BRAKE LINE PLUG, 3/16

FIGURE 9
OPTIONAL CHO22BRK BRAKE SYSTEM

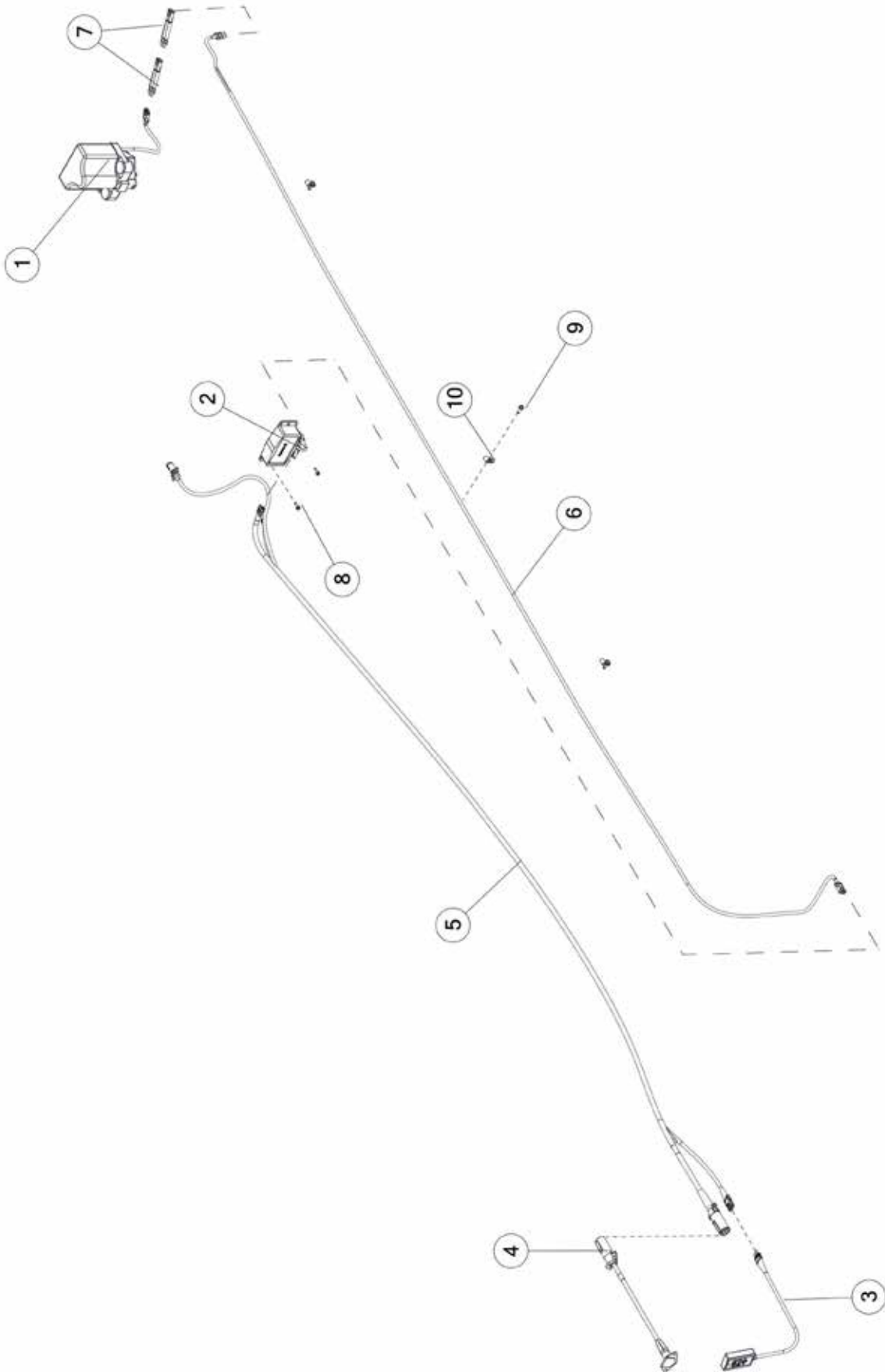


FIGURE 9
OPTIONAL CHO22BRK BRAKE SYSTEM

<u>ITEM</u>	<u>QTY</u>	<u>PART#</u>	<u>DESCRIPTION</u>
1	1	FBC41	PUMP/MASTER CYLINDER
2	1	FBC39	BRAKE CONTROL MODULE
3	1	FBC38	BRAKE CONTROL
4	1	92492	ELECTRIC HARNESS, 4 FEMALE-7 MALE
5	1	FBC30	ELECTRIC BRAKE HARNESS
6	1	FBC40	PUMP/MASTER CYLINDER HARNESS
7	2	73990	ELEC, BRAKE RESISTOR
8	2	YSDR08005	SCREW SELF DRILLING, HEX WASHER HEAD, 1/4 X 1
9	3	YSST10005	BOLT FLANGE, SELF THREADING, .312 X 1
10	3	HGV162	RUBBER WIRE HOLDER, 1/2
*	15	CIZT115	ZIPTIE, 8 X .14 X .03

CHANGE NOTES

H&S MFG. CO.

products approved

for the

FEMA

SEAL OF QUALITY



Manufactured by:

H&S MANUFACTURING CO., INC.

2608 S. HUME AVE. MARSHFIELD, WI 54449

(715) 387-3414 | hsmfgco.com

