



3123

**MANURE SPREADER
PARTS BOOK**

Part #72934

HSMFG072022

Rev. #11

Starting Ser. #221MS23036

STRONG HERITAGE - STRONG PEOPLE - STRONGER FUTURE

CONTENTS

Instructions for Ordering Parts	1
Figure 1 - Beater and Pan Assembly.	2-3
Figure 2 - Hub, Spindle and Box Parts.	4-5
Figure 3 - Front Shield and Drive Assembly.	6-9
Figure 4 - Back Shield and Drive Assembly.	10-13
Figure 5 - Hydraulic Endgate.	14-15
Figure 6 - Apron Chain Assembly.	16-17
Figure 7 - Hydraulic Endgate Cylinder	18-19
Figure 8 - PTO.	20-21
Figure 9 - Optional Second Beater	22-25
Figure 10 - Gearbox	26-29
Figure 11 - Optional Light Kit.	30-31
Parts Notes	32

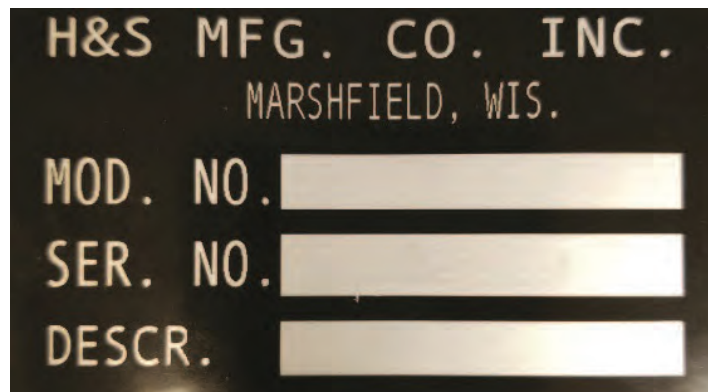
INSTRUCTIONS FOR ORDERING PARTS

All service parts should be ordered through your authorized H&S dealer. Your Dealership will be able to give you faster service if you will provide them with the following:

1. Model & Serial Number - Both can be located on the front PTO bearing support mount.
2. All references to left or right apply to the machine as viewed from the rear.
3. Parts should not be ordered from illustration only. Please order complete part number.
4. If your dealer has to order parts - give shipping instructions:

VIA truck - large pieces (please specify local truck lines)

VIA United Parcel Service (include full address)



PLEASE RECORD NUMBERS FOR YOUR UNIT FOR QUICK REFERENCE

ABOUT IMPROVEMENTS

H&S IS CONTINUALLY STRIVING TO IMPROVE ITS PRODUCTS

We must, therefore, reserve the right to make improvements or changes whenever it becomes practical to do so, without incurring any obligation to make changes or additions to the equipment previously sold.

FIGURE 1 BEATER/PAN ASSEMBLY

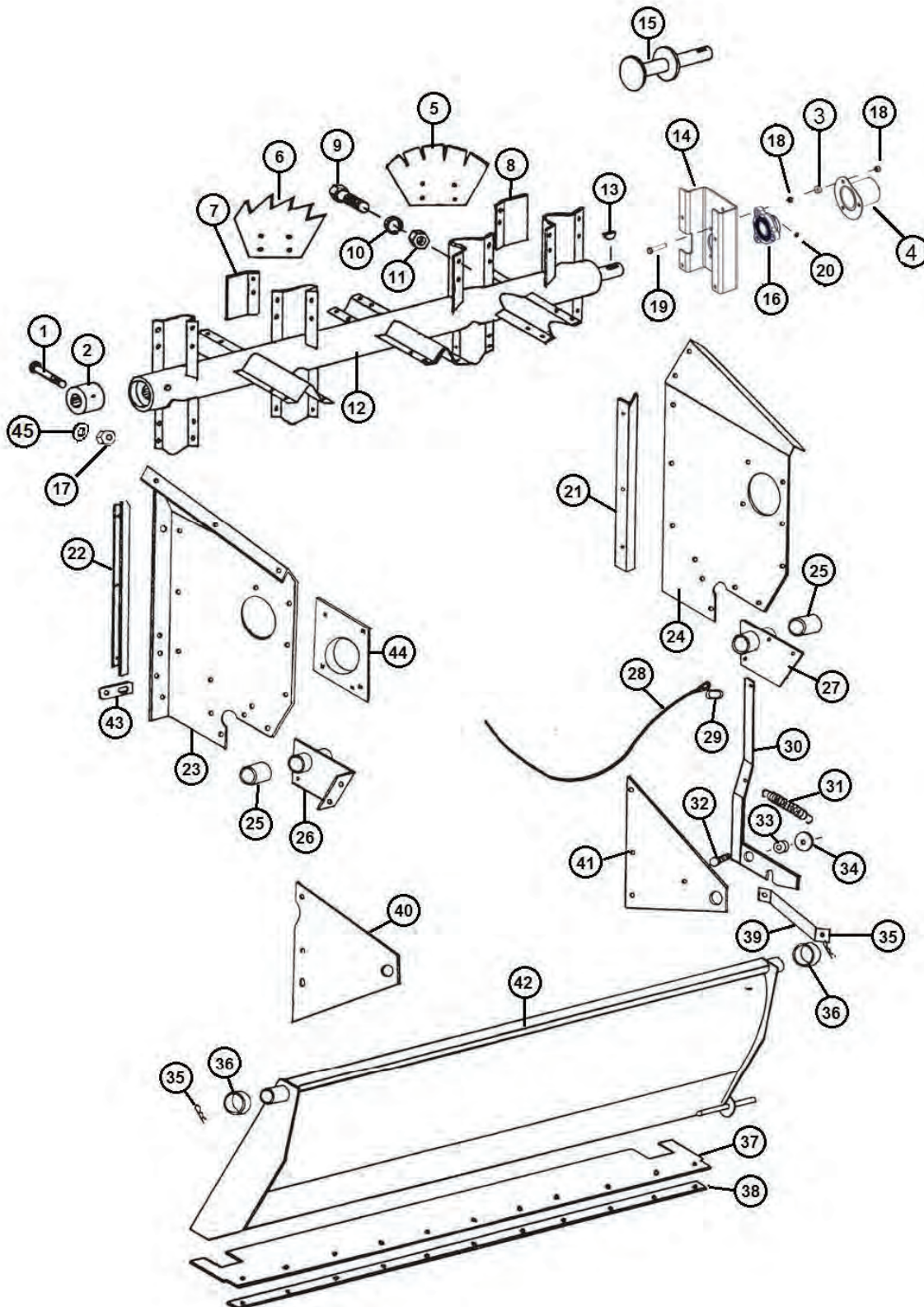


FIGURE 1

BEATER/PAN ASSEMBLY

<u>ITEM</u>	<u>QTY</u>	<u>PART#</u>	<u>DESCRIPTION</u>
1	1	YBHH10130	BOLT HEX, 5/16 X 5 G5
2	1	23N2	SPLINED BEATER INSERT
3	3	82944	SPACER
4	1	82910	BEARING COVER
5	6	23N276	BEATER BLADE - HARDENED BEATER
6	8	23N277	BLADE - HARDENED BEATER BLADE
7	1	23N7	WIPER LH
8	1	23N8	BEATER BLADE WIPER RH
9	56	YBHH16045	BOLT HEX, 1/2 X 1-1/4 G5
10	56	YWLO16005	WASHER LOCK, 1/2
11	56	YNTL16005	NUT HEX, TOP LOCK, 1/2
12	1	81158	BEATER
13	1	5B9	WOODRUFF KEY, 3/8 X 1-1/4
14	1	80794	SHAFT SUPPORT
15	1	80791	BEATER STUB SHAFT
16	1	80725	BEATER BEARING
17	1	YNFG10005	NUT FLANGE, 5/16 GF
18	6	YNFG12006	NUT FLANGE, 3/8 GF
19	3	YBFB12200	BOLT FLANGE, 3/8 X 2 G5
20	1	RG21	GREASE ZERK, 45
21	1	23N13	SIDE POLY HOLD DOWN RH
22	1	23N14	SIDE POLY HOLD DOWN LH
23	1	23N264	MAIN SIDE PANEL LH
24	1	23N265B	MAIN SIDE PANEL RH W/DECALS
25	2	23N17	DRIVE SHAFT BUSHING
26	1	23N257	DRIVE SHAFT BRACKET LH
27	1	23N19	DRIVE SHAFT BRACKET RH
28	1	27N1	PAN TRIP ROPE
29	1	R31	CLIP
30	1	95717	PAN TRIP LEVER
31	1	R27	SPRING
32	1	YBCR16010	BOLT CARRIAGE, 1/2 X 1-1/2 G5
33	1	23N23	TRIP LEVER SPACER
34	1	YWFL16005	WASHER FLAT, 1/2
35	2	YPCT06020	COTTER PIN, 3/16 X 2
36	2	F112	SPACER
37	1	23N24	PAN RUBBER FLAP
38	1	23N25	PAN STRAP
39	1	84635	PAN SUPPORT BRACE
40	1	23N268	PAN SUPPORT LH
41	1	23N29	PAN SUPPORT RH
42	1	23N30	PAN
43	1	23N64	SHIELD BRACKET
44	1	17G10	ANTI-WRAP GUARD LH
45	1	YWFL10005	WASHER, FLAT, 5/16

FIGURE 2 SPINDLE/HUB/BOX PARTS

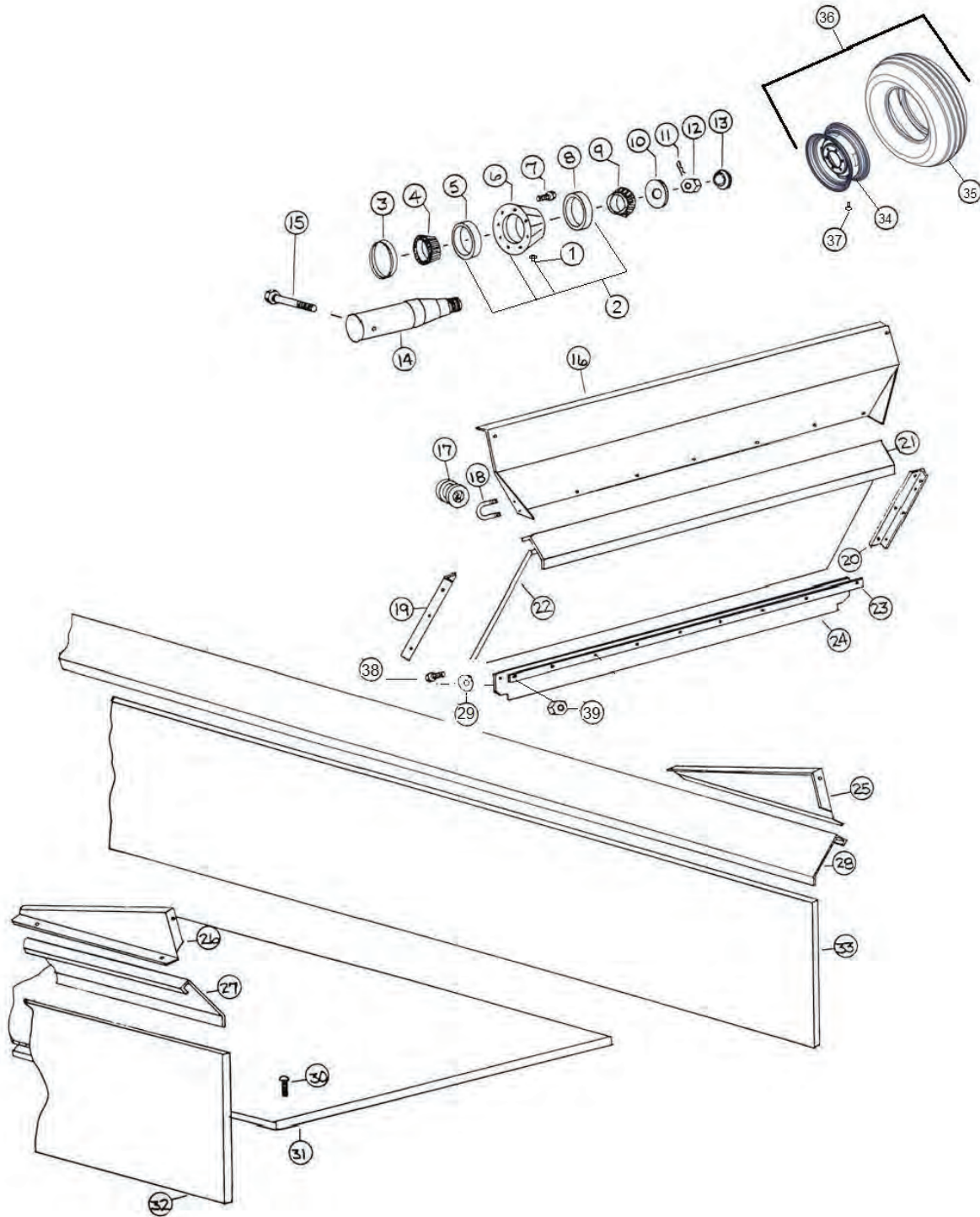


FIGURE 2

SPINDLE/HUB/BOX PARTS

<u>ITEM</u>	<u>QTY</u>	<u>PART#</u>	<u>DESCRIPTION</u>
1	2	54595	GREASE ZERK, 1/8 NPT
2	2	75955	HUB W/RACES
3	2	B8	SEAL
4	2	B7	INNER BEARING
5	2	75954	INNER RACE
6	2	B6	HUB
7	16	YBWL18005	BOLT WHEEL, 9/16 X 1-1/8 G5
8	2	75951	OUTER RACE
9	2	B5	OUTER BEARING
10	2	YWFL28005	WASHER FLAT, 7/8 USS
11	2	YPCT05020	COTTER PIN, 5/32 X 1-3/4
12	2	YNSL28005	HEX NUT, 7/8
13	2	B2	HUB CAP
14	2	B9	SPINDLE
*	2	23N304	SPINDLE FOR 14 X 16.1 WHEEL
15	1	YBHH16130	BOLT HEX, 1/2 X 4 G5
16	1	23N34	FRONT FLARE
17	1	F33	ROPE GUIDE
18	1	YBPU08005	PIPE U BOLT, 1/4 X 3/4
19	1	23N35	GATE ANGLE RH
20	1	23N36	GATE ANGLE LH
21	1	23N176	FRONT FLARE SUPPORT
22	1	23N270A	FRONT GATE PLYWOOD WITH FIBERGLASS
23	1	23N40	STRAP FOR RUBBER
24	1	23N41	FRONT GATE RUBBER
25	1	23N42	SPLASH GUARD SIDE LH
26	1	23N43	SPLASH GUARD SIDE RH
27	1	23N177	SIDE FLARE RH
28	1	23N178	SIDE FLARE LH
29	13	YWFL14005	WASHER FLAT, 7/16
30	8	YBCR12015	BOLT CARRIAGE, 3/8-16 X 1-1/2 G5
31	1	93609	POLY PANEL, FLOOR
32	1	23N272A	SIDE PLYWOOD WITH FIBERGLASS RH
33	1	23N273A	SIDE PLYWOOD WITH FIBERGLASS LH
34	2	23N179A	WHEEL 8.25 X 22.5, 8-BOLT
*	2	12V36	WHEEL 14 X 16.1 (8-BOLT) OPTIONAL
35	2	UR19	TIRE, 295/75R22.5, RECAP, HIGHWAY TREAD
36	2	32352	295-75R X 22.5 TIRE ON 8.25 X 22.5 WHEEL
37	2	72438	VALVE STEM
38	13	YBCR12015	BOLT CARRIAGE, 3/8-16 X 1-1/2 G5
39	13	YNHX12005	NUT HEX, 3/8 G2

*MEANS NOT SHOWN

FIGURE 3 FRONT SHIELDS/DRIVE ASSEMBLY

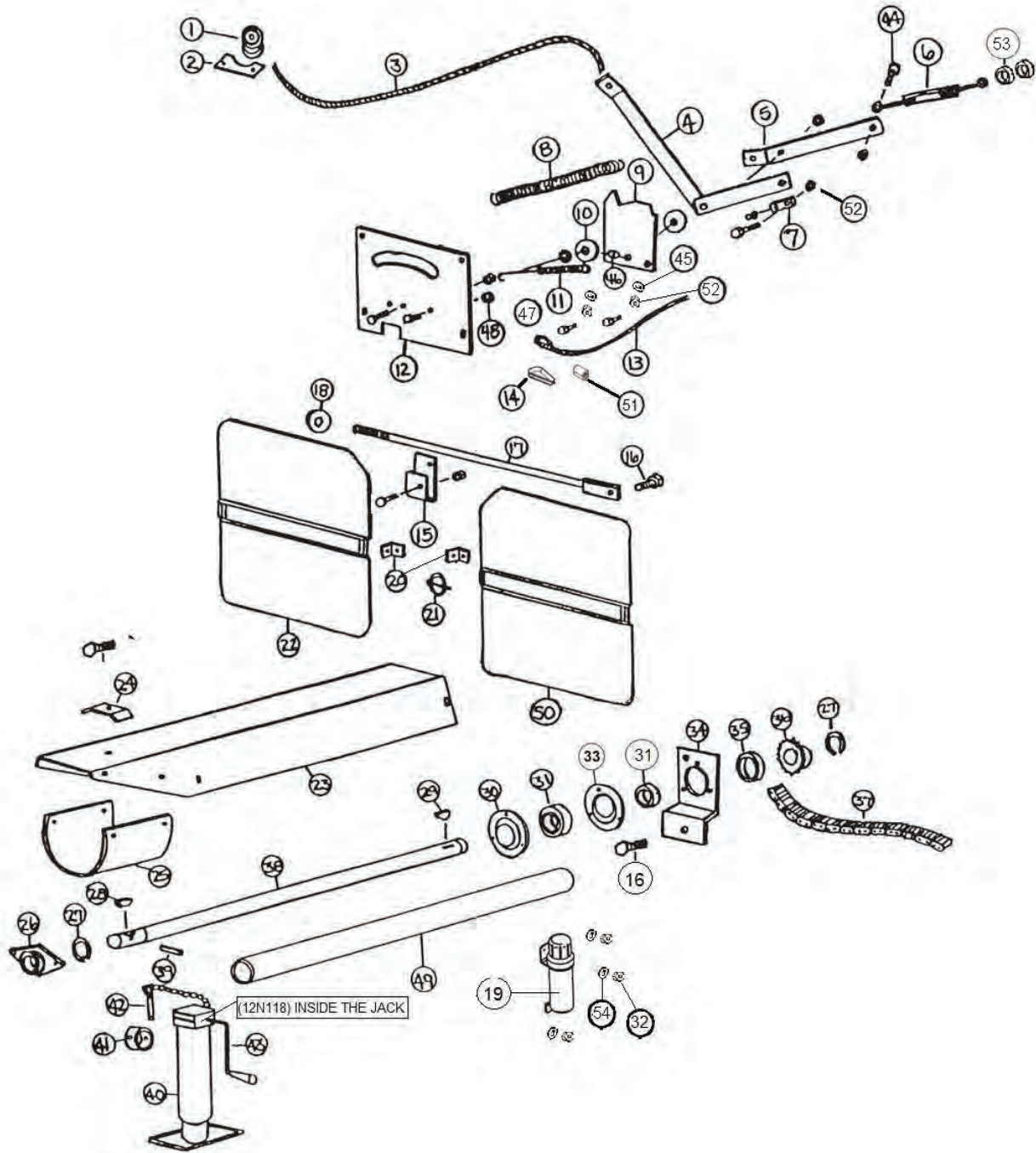


FIGURE 3
FRONT SHIELDS/DRIVE ASSEMBLY

<u>ITEM</u>	<u>QTY</u>	<u>PART#</u>	<u>DESCRIPTION</u>
1	1	F33	CABLE GUIDE
2	1	23N182	BRACKET
3	1	23N183	ROPE (15)
4	1	23N280	SHIFTER LEVER
5	1	23N281	PIVOT LINK
6	1	F84	TURNBUCKLE
7	1	23N282	SHIFTER DOG
8	1	10R14	SPRING
9	1	23N283	STOP BRACKET
10	1	YWCU12005	WASHER
11	1	23N284	SHIFTER DOG SPRING
12	1	23N285	FRONT PANEL
13	1	23N286	CABLE
14	1	ES14	CABLE LOOP
15	1	23N287	SPRING BRACKET
16	1	YBFB16150	BOLT FLANGE, 1/2 X 1-1/2 G5
17	1	23N63	TIGHTENER ROD
18	1	F129	WASHER
19	1	S522	MANUAL HOLDER
20	2	F92	SHIELD BRACKET
21	2	S122	LANYARD,CLIP PIN CABLE
22	1	23N305	FRONT SHIELD RH
23	1	23N66	SHIELD
24	1	23N67	TAILGATE HOSE BRACKET
*	1	HE42	HYDRAULIC DRIVE BRACKET (OPTIONAL)
25	1	F54	SHIELD

***MEANS NOT SHOWN**

FIGURE 3 FRONT SHIELDS/DRIVE ASSEMBLY

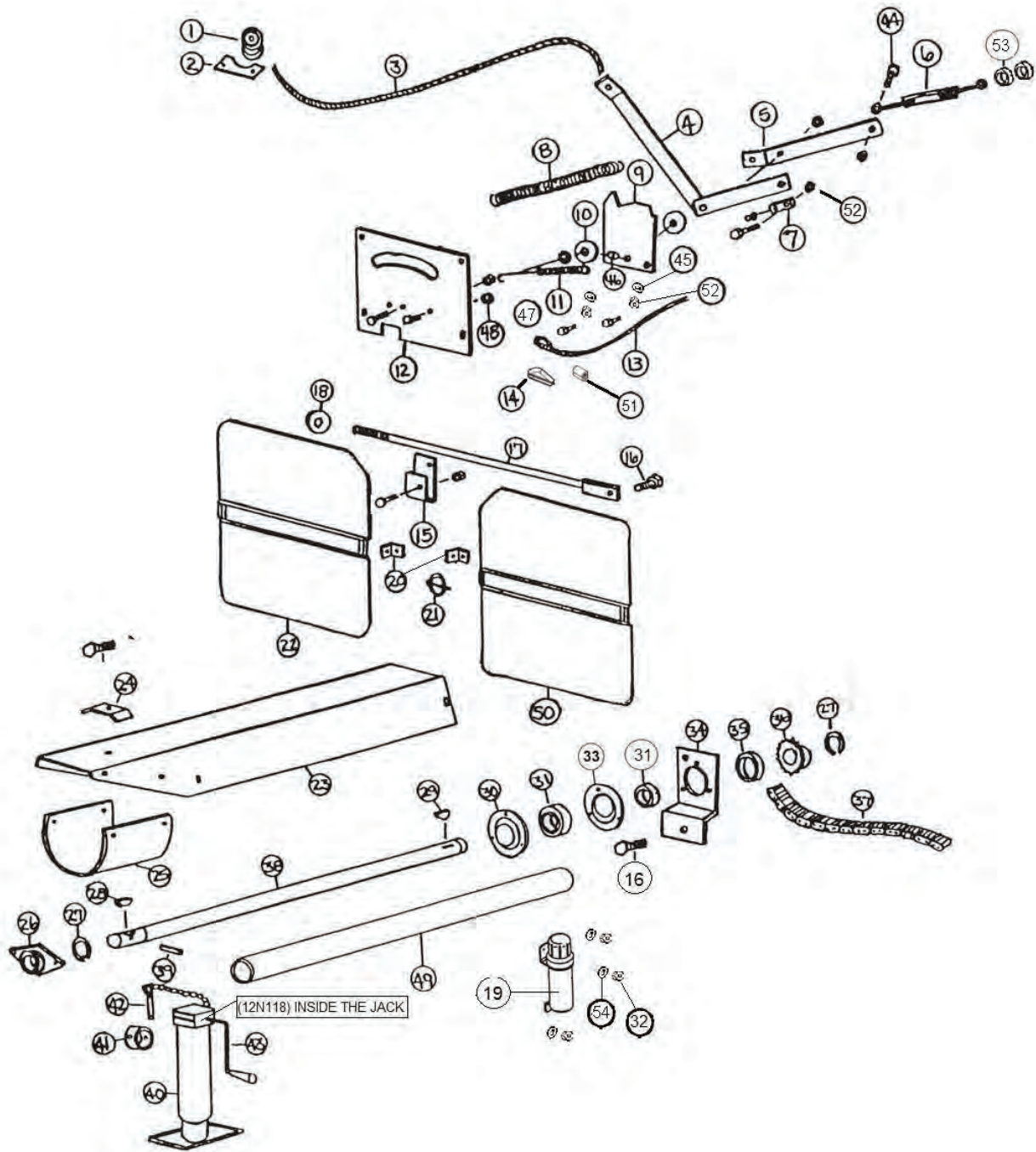


FIGURE 3

FRONT SHIELDS/DRIVE ASSEMBLY

<u>ITEM</u>	<u>QTY</u>	<u>PART#</u>	<u>DESCRIPTION</u>
26	2	12N29	BEARING
27	1	F73	SNAP RING
28	1	5B10	KEY, 1/4 X 1
29	1	5B9	WOODRUFF KEY, 3/8 X 1-1/4
30	1	F114	FLANGE, 1-1/4 W/STRAIGHT ZERK
31	2	12N122	BEARING W/ LOCK COLLAR 1-1/4
32	3	YNHX08007	NUT HEX, 1/4 G5
33	1	F14	BEARING FLANGE
34	1	23N68	FRONT ADJUSTMENT PLATE
35	1	23N69	SPACER
36	1	23N70	SPROCKET (25T)
37	1	23N245	ROLLER CHAIN (#60, 124P)
38	1	23N72	FRONT SHAFT
39	1	YPEX10025	EXPANSION PIN, 5/16 X 2-3/4
40	1	12N116	JACK
*	1	12N120	JACK GEAR REP. KIT
41	1	12N121	JACK MOUNT
42	1	12N117	JACK PIN
43	1	12N119	HANDLE
*	1	12N118	REPLACEMENT BEARING
44	1	YBCR12010	BOLT CARRIAGE, 3/8 X 1 G5
45	4	YWFL10005	WASHER, FLAT, 5/16
46	1	23N297	TUBE
47	2	YBHH12027	BOLT HEX, 3/8 X 1-1/2 G5
48	1	ST81	EXTENSION SPACER
49	1	37N74	FRONT SHAFT GUARD
50	1	23N306	FRONT SHIELD LH
51	2	71279	SLEEVE
52	3	YNRL12005	NUT HEX, REVERSIBLE-SIDE LOCK, 3/8
53	2	71279	SLEEVE
54	3	YWFL08005	WASHER FLAT, 1/4

*MEANS NOT SHOWN

FIGURE 4 BACK SHIELDS/DRIVE ASSEMBLY

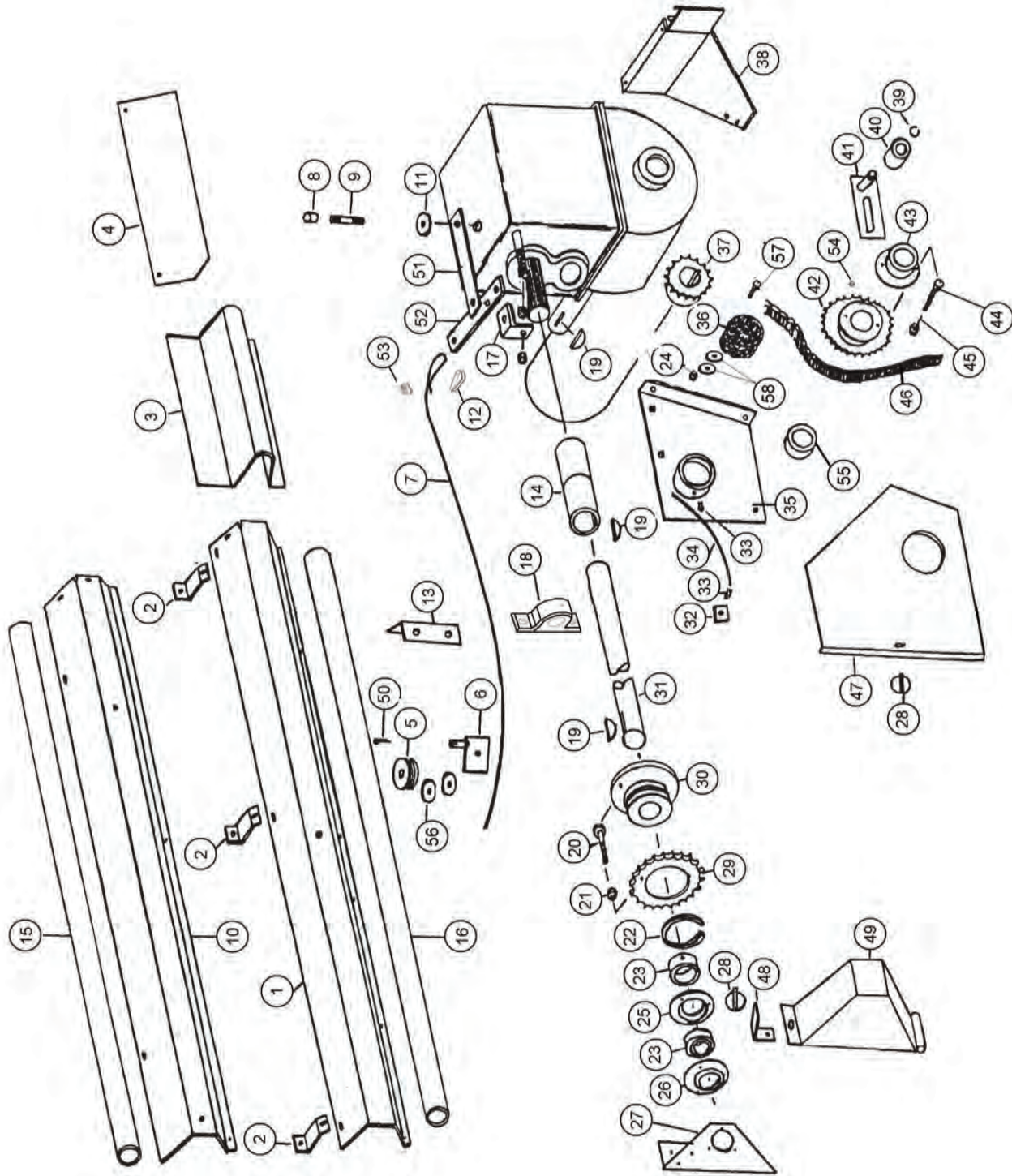


FIGURE 4

BACK SHIELDS/DRIVE ASSEMBLY

<u>ITEM</u>	<u>QTY</u>	<u>PART#</u>	<u>DESCRIPTION</u>
1	1	23N247	SIDE SHIELD
2	3	23N248	SIDE SHIELD BRACKET
3	1	23N292	COUPLER SHIELD
4	1	23N250	POLY SHIELD
5	1	23N251	POLY PULLEY
6	1	23N252	PULLEY MOUNT
7	1	23N253	CABLE
8	1	17G58	VENT CAP
9	1	23N288	PIPE NIPPLE
10	1	27N34	BACK SIDE SHIELD
11	1	17G61	WASHER
12	1	ES14	CABLE LOOP
13	1	23N269	BEARING BRACKET
14	1	17G65	COUPLER
15	1	23N295	2ND SIDE SHAFT GUARD
*	1	27N43	3RD SIDE SHAFT GUARD
*	1	27N44	4TH SIDE SHAFT GUARD
16	1	23N294	1ST SIDE SHAFT GUARD
17	1	23N291	SHIFTER ROD ANGLE
18	1	12N36	BRG, PILLOW BLOCK, 1-1/4
19	1	5B9	WOODRUFF KEY, 3/8 X 1-1/4
20	1	YBHH10030	BOLT HEX, 5/16 X 1-1/2 G5
21	1	YNTL10005	NUT HEX, TOP LOCK, 5/16
22	1	23N189	SNAP RING
23	1	12N122	BEARING W/ LOCK COLLAR 1-1/4
24	2	YNHX08007	NUT HEX, 1/4 G5
25	1	F114A	BEARING FLANGE

*MEANS NOT SHOWN

FIGURE 4 BACK SHIELDS/DRIVE ASSEMBLY

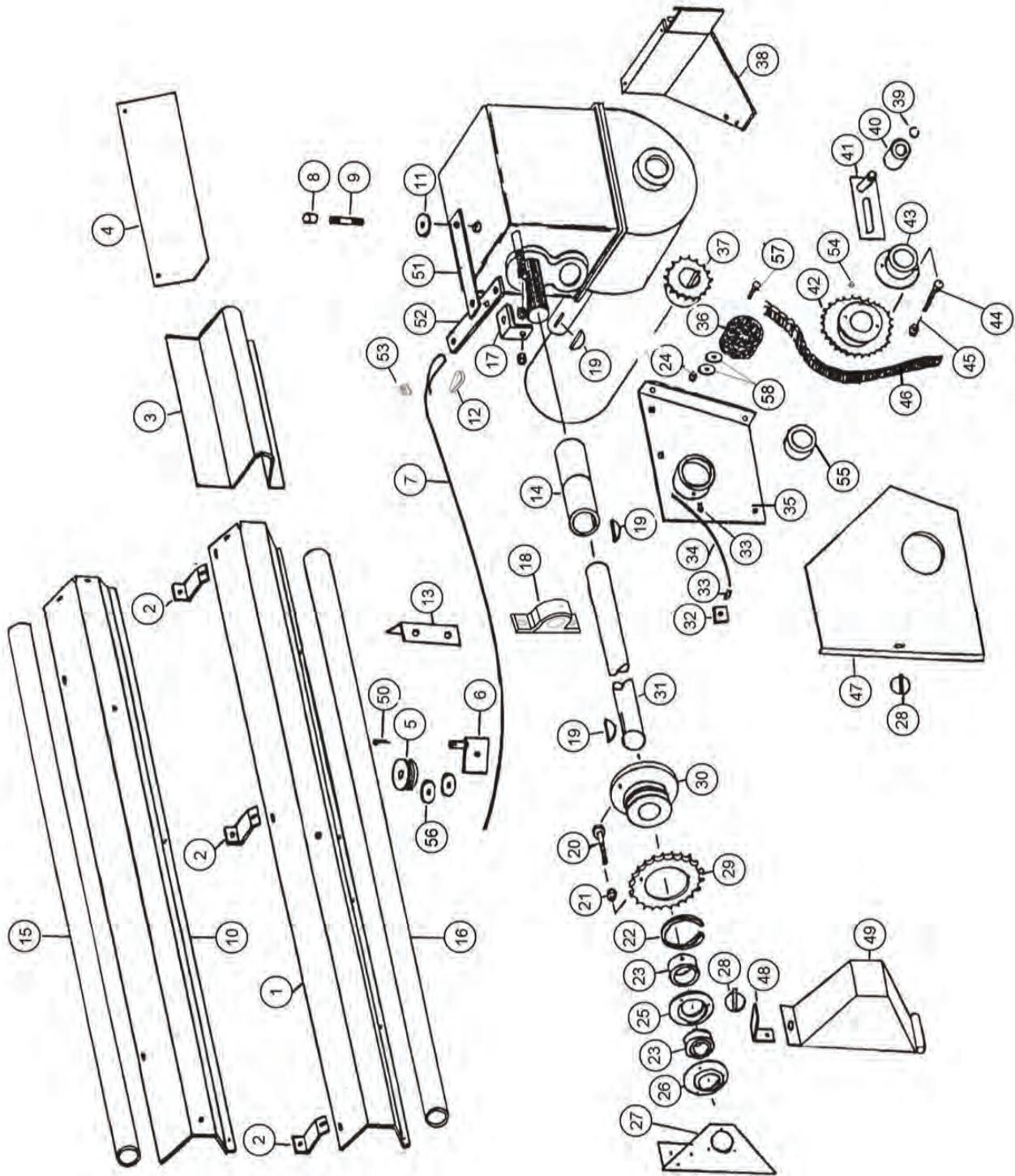


FIGURE 4

BACK SHIELDS/DRIVE ASSEMBLY

<u>ITEM</u>	<u>QTY</u>	<u>PART#</u>	<u>DESCRIPTION</u>
26	1	F14	BEARING FLANGE
27	1	23N254	SIDE BEARING PANEL
28	1	S122	LINCH PIN W/LANDYARD
29	1	23N191	SPROCKET (30T)
30	1	23N190	SHEAR HUB
31	1	23N255	SIDE SHAFT
32	1	16V9	GREASE ZERK BLOCK
33	2	S47	GREASE LINE FITTING
34	1	23N256	GREASE LINE
35	1	23N257	DRIVE SHAFT MOUNT LH
36	1	23N258	CHAIN OILER
37	1	17G67	WORM GEAR SPROCKET
38	1	23N259	GEARBOX BRACE
39	1	10R32	SNAP RING
40	1	23N238	CHAIN TIGHTENER ROLLER
41	1	17G69	CHAIN TIGHTENER BRACKET
42	1	17G68	SHEAR HUB SPROCKET (32T)
*	1	17G170	SLOW DOWN SPROCKET (40T)
*	1	23N279	SPEED UP SPROCKET (25T)
43	1	17G71	SHEAR HUB
44	1	YBHH10030	BOLT HEX, 5/16 X 1-1/2 G5
45	1	YNTL10005	NUT HEX , TOP LOCK, 5/16
46	1	23N260	CHAIN (#60, 55P)
47	1	23N261	DRIVE SHIELD
48	1	23N242	SHIELD ANGLE
49	1	22G21	SHIELD
50	1	YPCT05005	COTTER PIN, 5/32 X 1
51	1	23N289	SHIFTER ROD LEVER FULCRUM
52	1	23N290	SHIFTER ROD LEVER
53	1	BFR220	CABLE CLAMP, 3/16
54	1	G89	STRAIGHT ZERK, 1/4
55	1	23N266	PIPE SPACER
56	2	YWFL12005	WASHER FLAT, 3/8 G5
57	1	YBCR08050	BOLT CARRIAGE, 1/4-20 X 3 G5 ZC
58	2	YWFL10005	WASHER FLAT, 5/16

*MEANS NOT SHOWN

FIGURE 5 HYDRAULIC ENDGATE ASSEMBLY

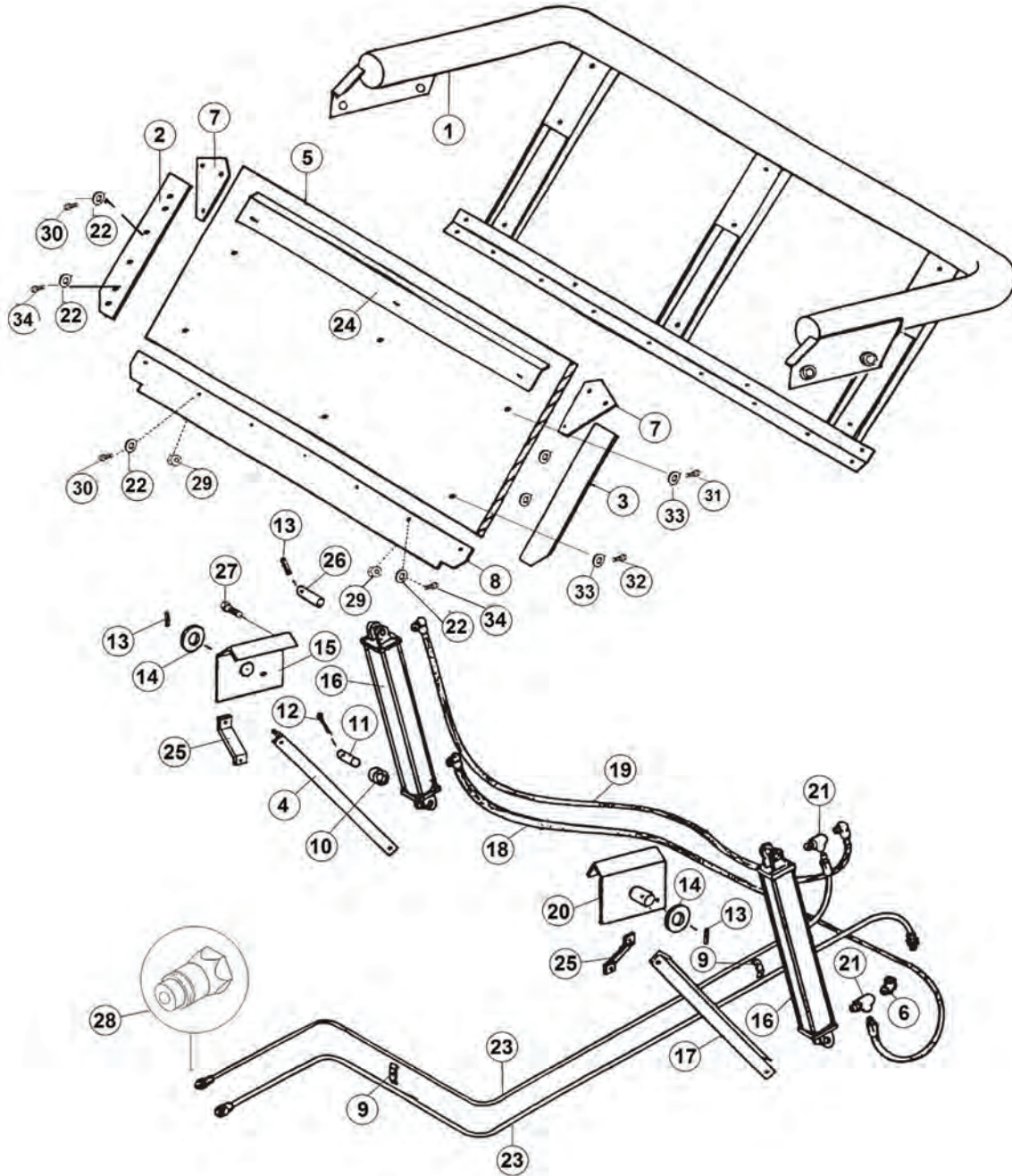


FIGURE 5

HYDRAULIC ENDGATE ASSEMBLY

<u>ITEM</u>	<u>QTY</u>	<u>PART#</u>	<u>DESCRIPTION</u>
1	1	23N298	TAILGATE FRAME
2	1	23N99	SIDE RUBBER RH
3	1	23N100	SIDE RUBBER LH
4	1	23N233	TAILGATE BRACKET BRACE
5	1	23N274A	TAILGATE PLYWOOD WITH FIBERGLASS
6	1	23N234	STREET ELBOW
7	2	23N104	TAILGATE CORNER
8	1	23N105	BOTTOM RUBBER
9	2	23N67	HOSE BRACKET
10	1	K132	SPACER
11	1	23N107	CYLINDER PIN
12	1	YPCT07005	COTTER PIN, 7/32 X 2
13	2	YPEX10015	EXPANSION PIN, 5/16 X 1-3/4
14	2	23N109	WASHER
15	1	23N299	TAILGATE MOUNT RH
16	1	56015	HYDRAULIC CYLINDER, 2 X 16
17	1	23N231	BRACE
18	1	23N113	HYD HOSE (96IN)
19	1	23N114	HYD HOSE (138IN)
20	1	23N300	TAILGATE MOUNT LH
21	2	23N116	TEE
22	19	YWFL16005	WASHER FLAT, 1/2
23	2	23N307	HYD HOSE (274IN)
24	1	23N163	TAILGATE POLY HOLD DOWN
25	2	23N232	TAILGATE BRACKET BRACE
26	1	23N301	CYLINDER PIN
27	1	YBCR16021	BOLT CARRIAGE, 1/2 X 1-3/4
28	2	DWM205	MALE QUICK COUPLER
29	12	YNHX12005	NUT HEX, 3/8 G2
30	12	YBCR12020	BOLT CARRIAGE, 3/8 X 1-1/4 G5
31	3	YBCR12055	BOLT CARRIAGE, 3/8 X 3 G5
32	2	YBCR12040	BOLT CARRIAGE, 3/8-16 X 2-1/2, G5, ZC
33	13	YWFL14005	WASHER FLAT, 7/16
34	3	YBCR12015	BOLT CARRIAGE, 3/8-16 X 1-1/2 G5

FIGURE 6 APRON CHAIN ASSEMBLY

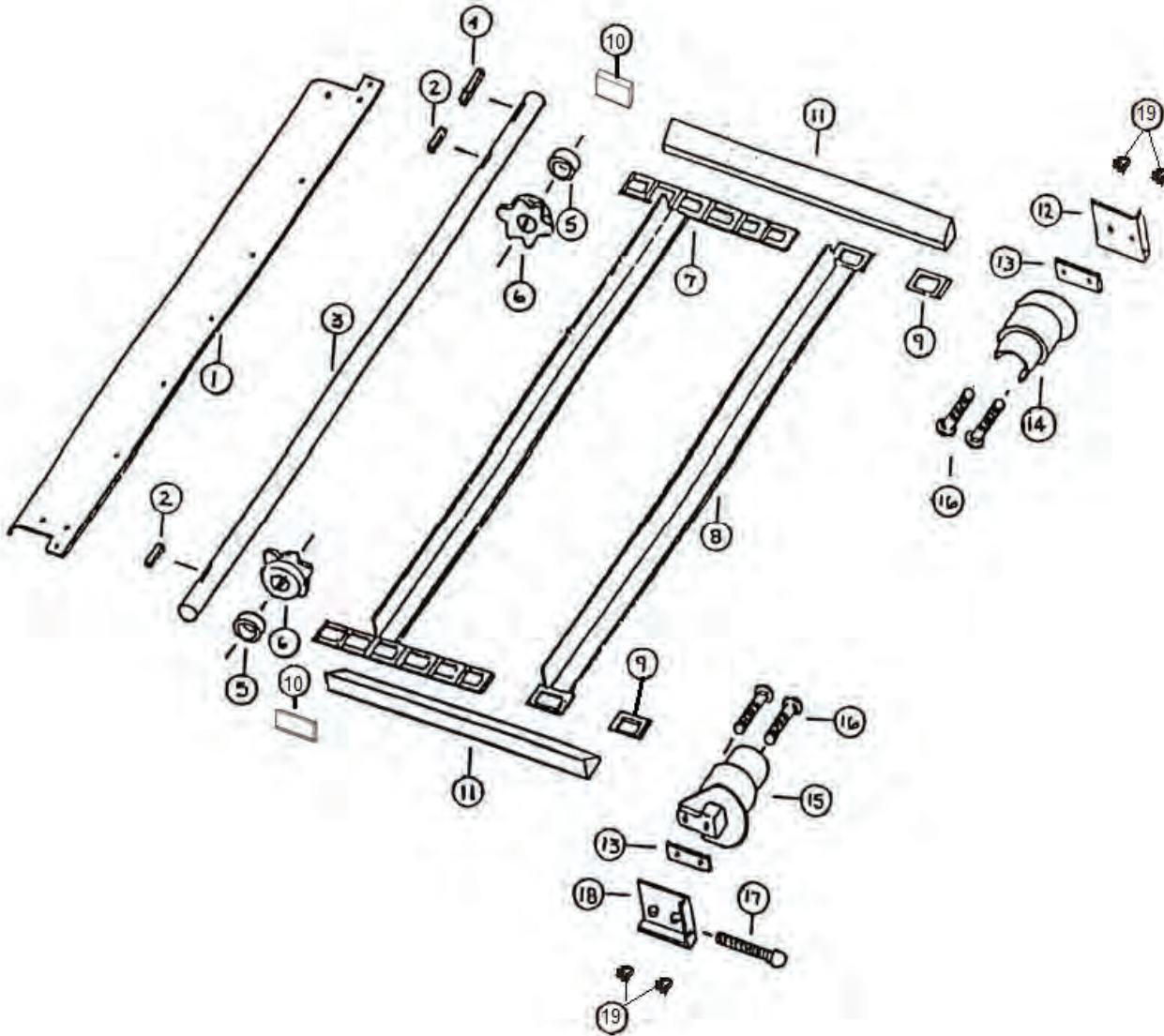


FIGURE 6

APRON CHAIN ASSEMBLY

<u>ITEM</u>	<u>QTY</u>	<u>PART#</u>	<u>DESCRIPTION</u>
1	1	37N82	DRIVE SHAFT SHIELD
2	2	23N303	SQUARE KEY, 3/8 X 1-3/4
3	1	27N35	DRIVE SHAFT
4	1	A32	SQUARE KEY W/ ROUND ENDS, 3/8 X 1-3/8
5	2	23N121	SPACER
6	2	23N122	DRIVE SPROCKET (6T)
7	1	23N123	APRON CHAIN 17 SLATS, 210 LINKS
8	1	23N124	SLAT W/ ATTACHMENT LINK
9	1	S55	T-ROD STANDARD LINK
10	2	75562	SPACER BLOCK
11	2	23N125	APRON CHAIN SIDE SPACERS
12	1	A30	CHAIN SLIDE PLATE
13	2	23N126	CHAIN SLIDE SPACER
14	1	23N127	T-ROD SLIDE LH
15	1	23N128	T-ROD SLIDE RH
16	4	YBCR16045	BOLT CARRIAGE, 1/2 X 4 G5
17	1	YBHH16140	BOLT HEX, 1/2 X 4-1/2 G5
18	1	A29	CHAIN SLIDE PLATE
19	4	YNHX16005	NUT HEX, 1/2 G2

FIGURE 7
HYDRAULIC ENDGATE CYLINDER

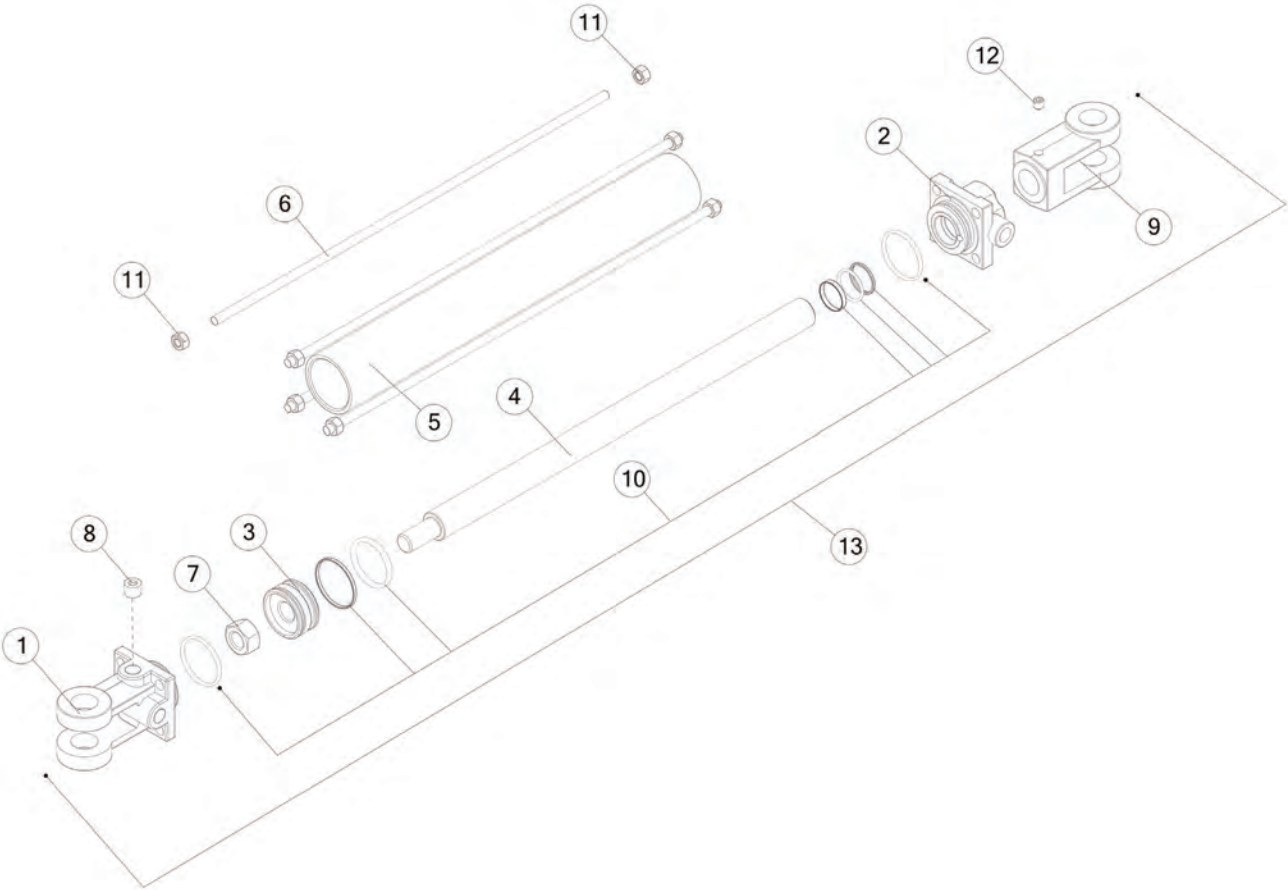


FIGURE 7
HYDRAULIC ENDGATE CYLINDER

<u>ITEM</u>	<u>QTY</u>	<u>PART#</u>	<u>DESCRIPTION</u>
1	1	23N142A	CLEVIS CAP FOR 2 IN CYLINDERS
2	1	56174	ROD CAP
3	1	56180	PISTON FOR 2 IN CYLINDER
4	1	23N145A	ROD
5	1	23N146	CYLINDER TUBE
6	4	23N147	SHAFT
7	1	23N148	PISTON NUT
8	1	23N149	PLUG
9	1	23N150A	ROD CLEVIS
10	1	56187	SEAL KIT FOR 2 IN CYLINDER
11	8	YNHX12006	NUT HEX, 3/8 G2
12	1	YSSO12015	SET SCREW, 3/8 X 3/8
13	1	56015	HYDRAULIC CYLINDER (2 X 16)

FIGURE 8 **PTO ASSEMBLY**

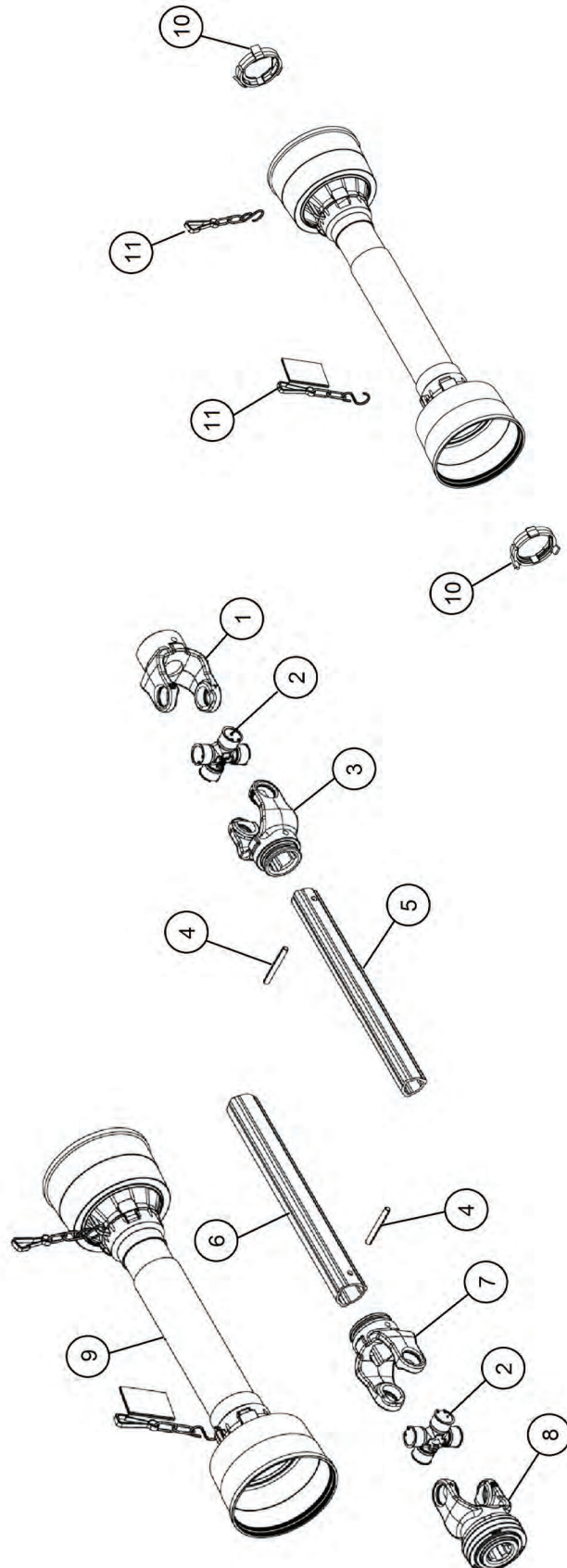


FIGURE 8 PTO ASSEMBLY

<u>ITEM</u>	<u>QTY</u>	<u>PART#</u>	<u>DESCRIPTION</u>
1	1	84671	YOKE W/BORE
2	2	87700	JOINT, UNIVERSAL
3	1	87698	YOKE, INNER
4	2	YPEX10250	EXPANSION PIN, 5/16 X 2-1/2
5	1	87882	TUBE
6	1	87699	TUBE
7	1	87884	YOKE, OUTER
8	1	87701	YOKE, END
9	1	87696	SAFETY GUARD GROUP
10	2	89228	RETAINERS
11	2	89227	CHAIN
*	1	23N152Z	COMPLETE PTO ASSEMBLY

*MEANS NOT SHOWN

FIGURE 9 OPTIONAL 2ND BEATER

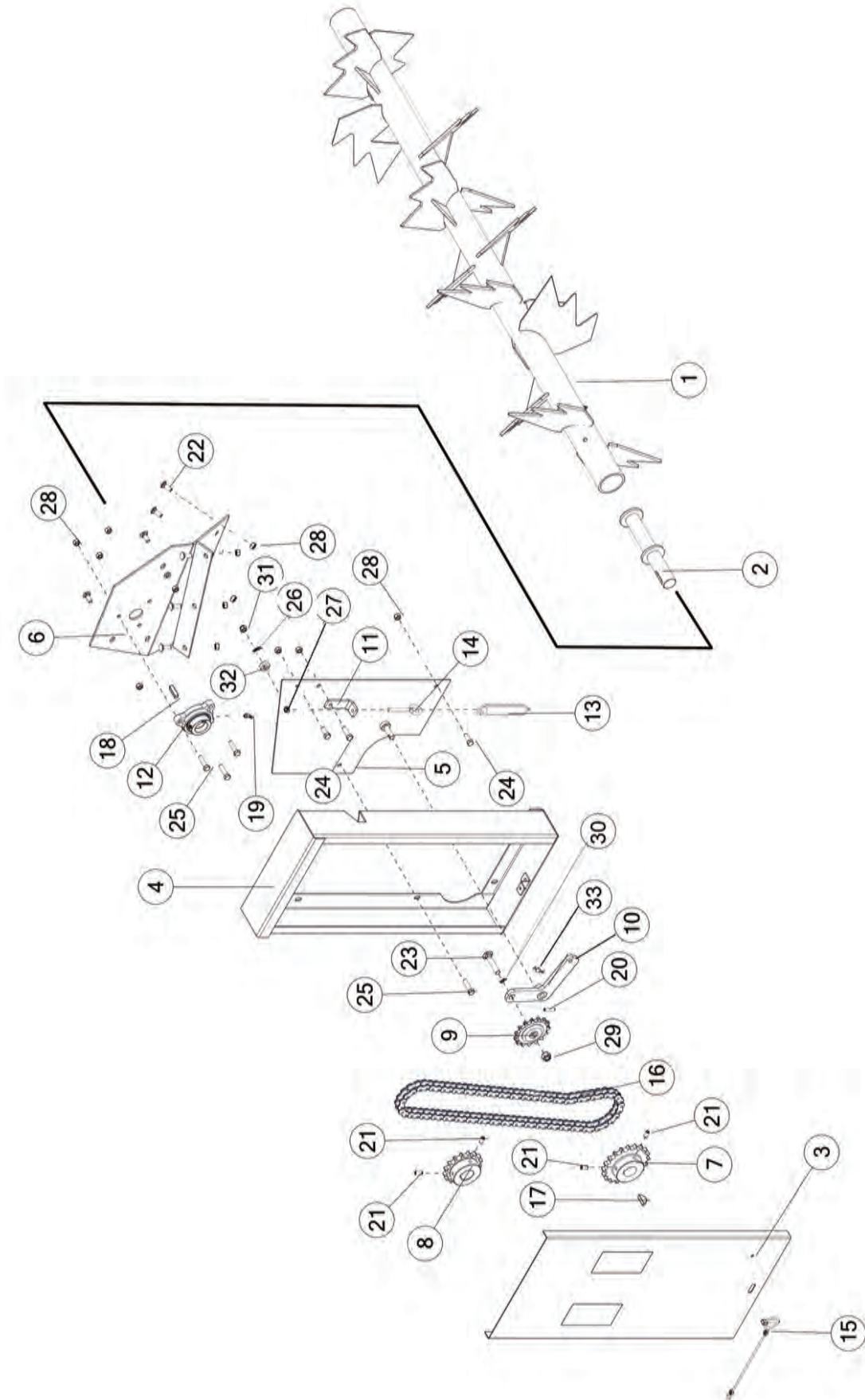


FIGURE 9

OPTIONAL 2ND BEATER

<u>ITEM</u>	<u>QTY</u>	<u>PART#</u>	<u>DESCRIPTION</u>
1	1	80724	SECOND BEATER
2	1	80723	STUB SHAFT RH
3	1	81467	FRONT SHIELD WITH DECAL
4	1	81471	BEATER SHIELD WITH DECALS
5	1	81470	BACK SHIELD WITH DECAL
6	1	80755	BEATER PANEL RH
7	1	80898	SPROCKET, 20T
8	1	D23	SPROCKET, 16T
9	1	12N42	IDLER SPROCKET,15T
10	1	80728	SPRING TENSIONER ARM
11	1	80152	SPRING TENSIONER BRKT
12	1	80725	BEATER BEARING
13	1	ST36	TENSION SPRING
14	1	YBTE10039	BOLT TURNED EYE, 5/16 X 4
15	1	S122	LANYARD CLIP PIN CABLE
16	1	37N49	ROLLER CHAIN #60
17	1	5B9	WDF KEY, 0.38 X 0.53 X 1.25
18	1	A32	SQUARE KEY, 0.38 X 0.38 X 1.38
19	1	RG21	GREASE ZERK, 45 DEGREE
20	1	YPEX08010	EXPANSION PIN, 1/4 X 1-1/4
21	4	YSKP12035	SETSCREW, 3/8 X 3/4
22	6	YBCR12010	BOLT CARRIAGE, 3/8 X 1 G5
23	1	YBCR16025	BOLT CARRIAGE, 1/2 X 2-1/2 G2
24	3	YBFB12003	BOLT FLANGE, 3/8 X 1 G5
25	3	YBFB12150	BOLT FLANGE, 3/8 X 1-1/2 G5
26	3	YWFL12005	WASHER FLAT, 3/8
27	1	YNFG10005	NUT FLANGE, 5/16 GF
28	12	YNFG12006	NUT FLANGE, 3/8 GF
29	1	YNFG16003	NUT FLANGE, 1/2 GF
30	4	YWFL14005	WASHER FLAT, 7/16
31	1	YNNY12005	NUT HEX, 3/8 LKNY G2
32	1	S246	SPACER
33	1	G89	STRAIGHT ZERK, 1/4-28 X 90

FIGURE 9 OPTIONAL 2ND BEATER

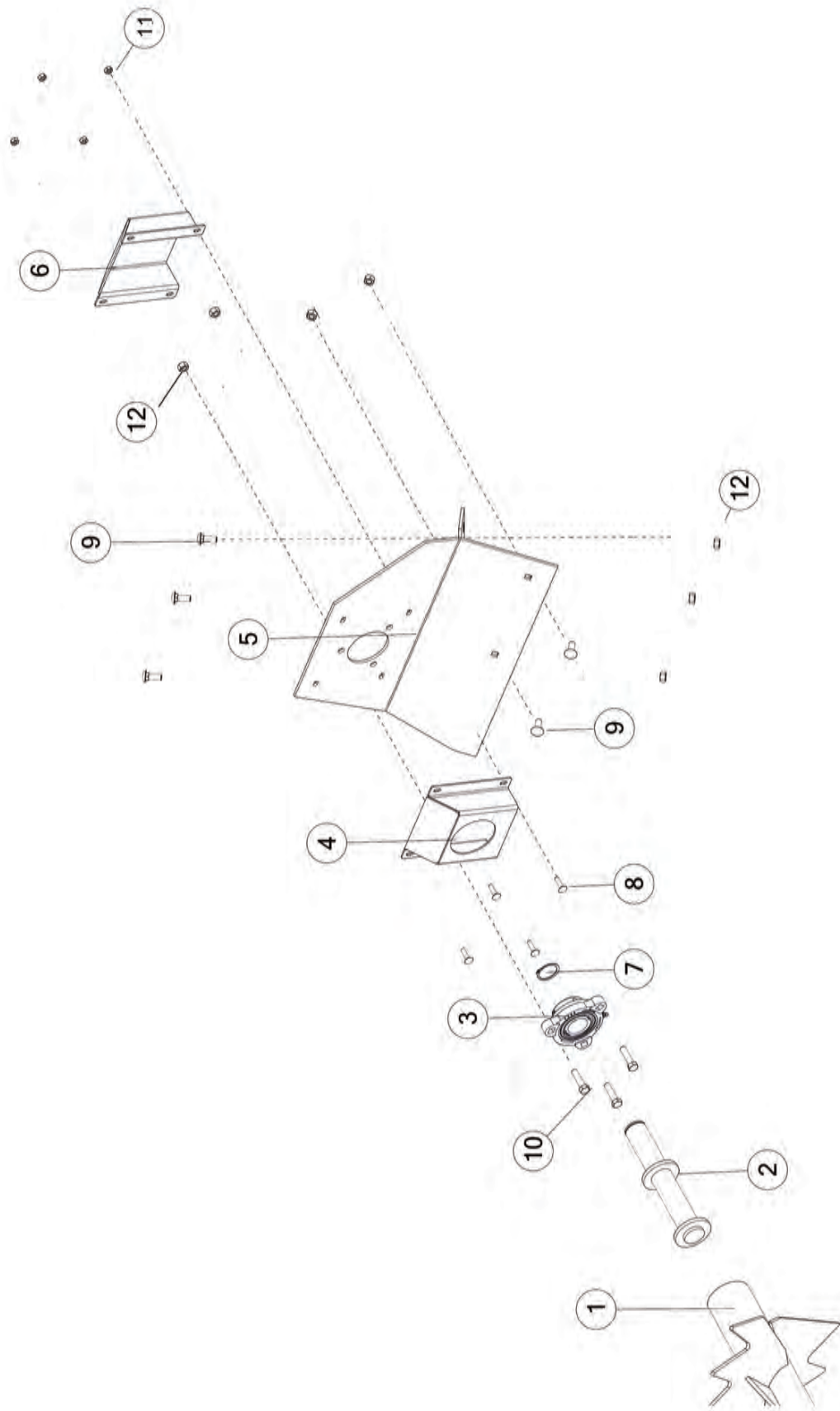


FIGURE 9
OPTIONAL 2ND BEATER

<u>ITEM</u>	<u>QTY</u>	<u>PART#</u>	<u>DESCRIPTION</u>
1	1	80724	SECOND BEATER
2	1	80721	STUB SHAFT LH
3	1	80725	BEATER BEARING
4	1	57216	BEATER BEARING PROTECTOR
5	1	80753	BEATER PANEL LH
6	1	87656	EXTERIOR BEATER BEARING PROTECTOR
7	1	81527	EXTERNAL SNAP RING 1-3/8
8	4	YBCR08005	BOLT CARRIAGE, 1/4 X 1 G5
9	5	YBCR12010	BOLT CARRIAGE, 3/8 X 1 G5
10	3	YBFB12150	BOLT FLANGE, 3/8 X 1-1/2 G5
11	4	YNFG08010	NUT FLANGE, 1/4 GF
12	8	YNFG12006	NUT FLANGE, 3/8 GF

FIGURE 10
GEARBOX

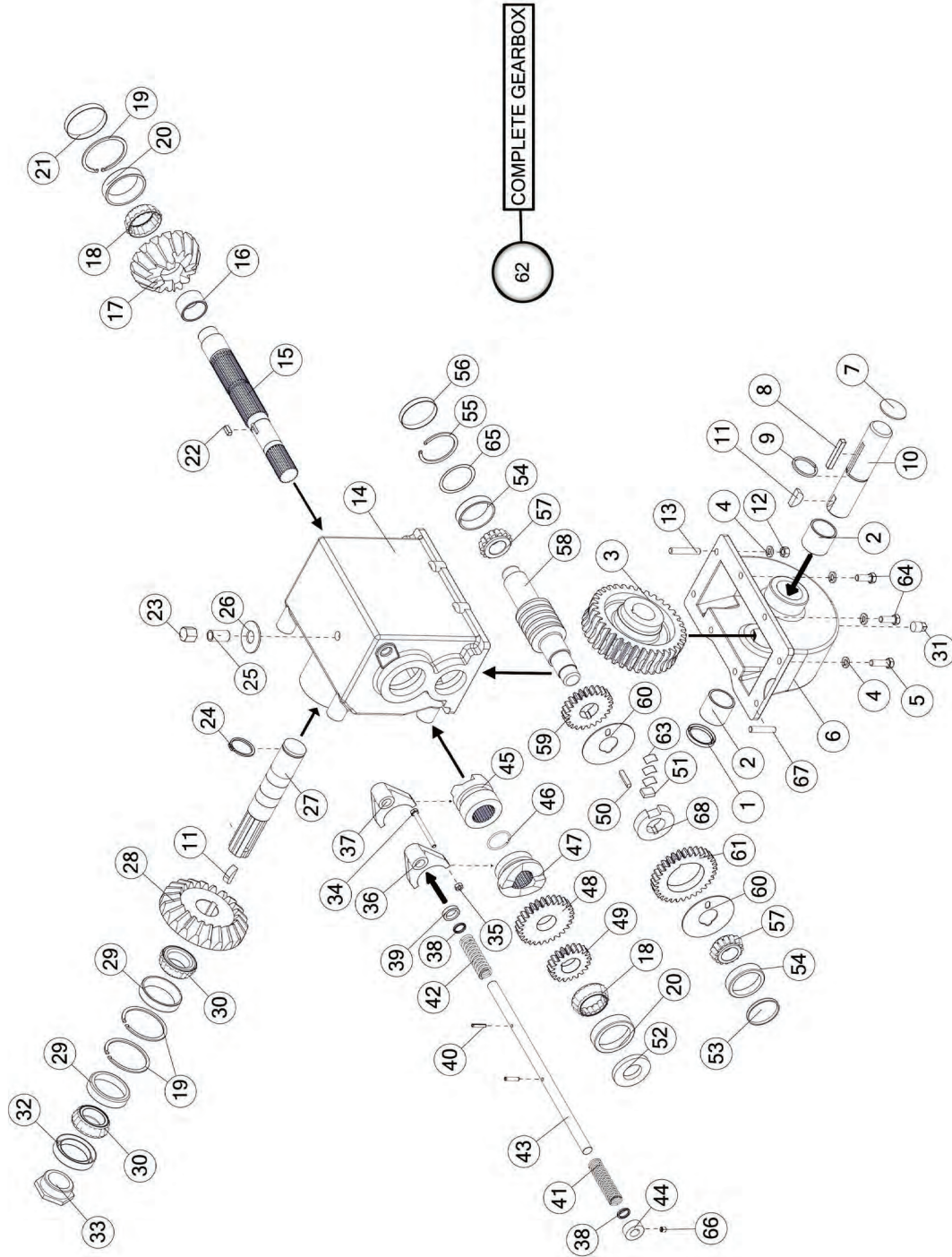


FIGURE 10 GEARBOX

<u>ITEM</u>	<u>QTY</u>	<u>PART#</u>	<u>DESCRIPTION</u>
1	1	17G133	SEAL
2	2	17G134	BUSHING
3	1	17G137	WORM GEAR 36T
4	8	YWLO12005	WASHER LOCK, 3/8
5	2	YBHH12035	BOLT HEX, 3/8 X 1-1/4 G5
6	1	17G107	LOWER GEARBOX HOUSING
7	1	17G139	CAP
8	1	17G132	SQAURE KEY
9	1	17G135	SNAP RING
10	1	17G136	OUTPUT SHAFT
11	2	5B9	WOODRUF KEY
12	2	YNHX12005	HEX NUT, 3/8 G2
13	2	17G140	STUD
14	1	17G99	UPPER GEARBOX HOUSING
15	1	17G108A	INPUT SHAFT
16	1	17G111	BRONZE BUSHING
17	1	17G110	BEVEL GEAR, (16T)
18	2	G18	TAPER BEARING
19	3	G55	INTERNAL SNAP RING
20	2	18VB25	RACE
21	1	G68	CAP
22	1	17G116	SQUARE KEY
23	1	17G58	VENT CAP
24	1	12V62	SNAP RING
25	2	23N288	PIPE NIPPLE
26	1	YWFL24005	WASHER FLAT, 3/4 USS
27	1	17G104	BEATER OUTPUT SHAFT
28	1	17G101	GEAR BEVEL (22T)
29	2	17G102	RACE
30	2	17G103	TAPER BEARING
31	1	G65	PLUG PIPE, 3/8 NPT
32	1	17G105	SEAL
33	1	17G106	NUT HEX, 1-1/2
34	1	YBHH08090	BOLT HEX, FULL THREAD, 1/4 X 3 G2
35	1	YNHX08007	NUT HEX, 1/4 G5

FIGURE 10
GEARBOX

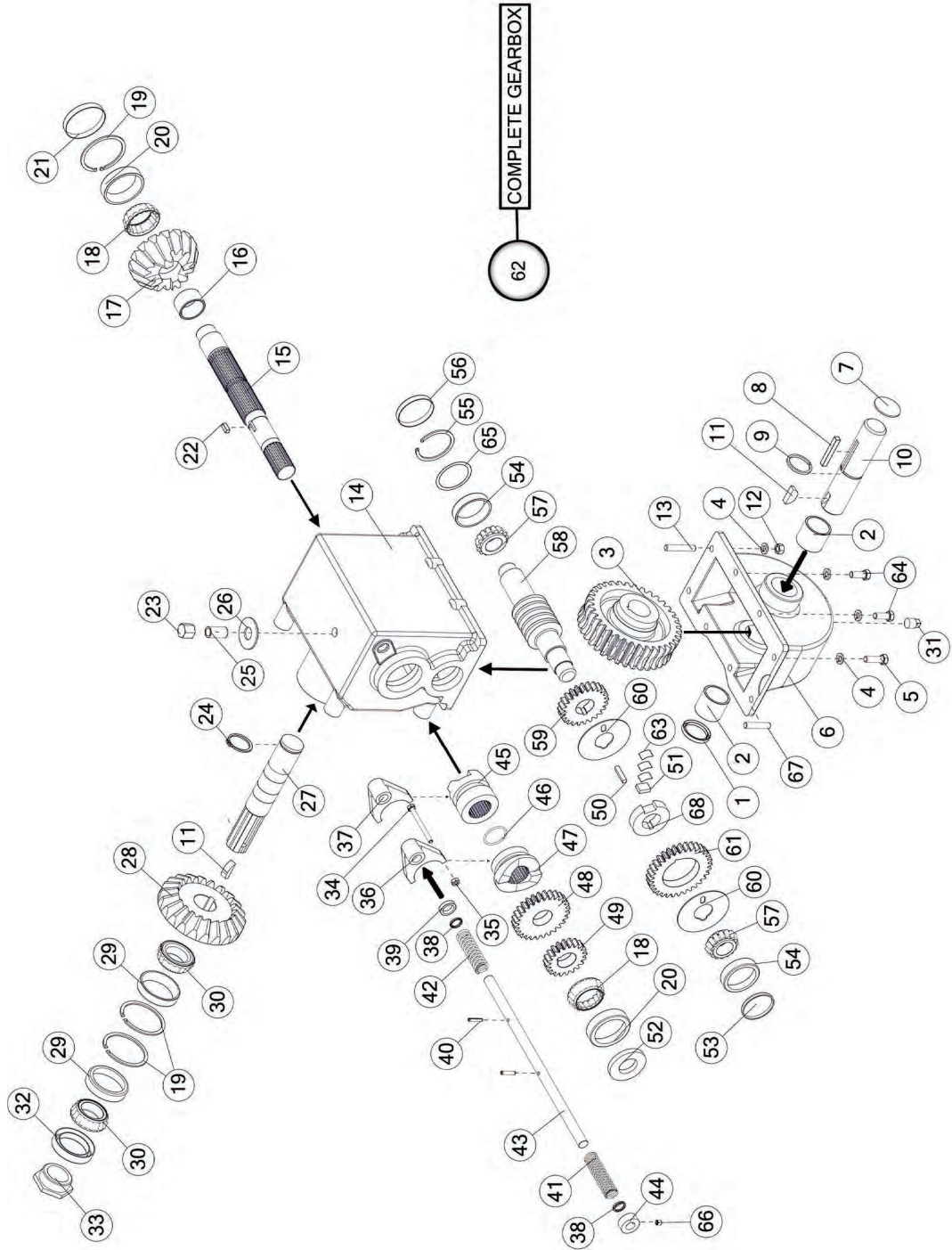


FIGURE 10 GEARBOX

<u>ITEM</u>	<u>QTY</u>	<u>PART#</u>	<u>DESCRIPTION</u>
36	1	17G125	HIGH SPEED SHIFTER YOKE
37	1	17G129	BEATER SHIFTER YOKE
38	2	17G121	SEAL
39	1	17G122	STRAIGHT ROUND TUBE
40	2	17G123	ROLL PIN
41	1	17G128	SPRING
42	1	17G130	SPRING
43	1	17G131	SHIFTER ROD SHAFT
44	1	17G171	LOCK COLLAR
45	1	17G109	BEATER CLUTCH
46	1	17G169A	SNAP RING
47	1	17G119	HIGH SPEED CLUTCH
48	1	17G118	GEAR (28T)
49	1	17G115	LOW SPEED, 2 SPEED GEAR BOX
50	1	S135	SQAURE KEY
51	1	17G124	KEY
52	1	S136	SEAL
53	2	17G100	CAP
54	2	3G18	RACE
55	1	3G19	INTERNAL SNAP RING
56	1	G90	CAP
57	2	L3G24	TAPER BEARING
58	1	17G120	SHAFT
59	1	17G117	HIGH SPEED GEAR
60	2	17G112	WASHER FLAT
61	1	17G113	LOW SPEED GEAR
62	1	17G142	COMPLETE GEARBOX
63	3	17G126	DOG SPRING
64	4	YBHH12010	BOLT HEX, 3/8 X 1 G5
65	1	G92	STAINLESS SHIM
66	1	YSKP10015	SET SCREW
67	1	17G138	STUD
68	1	17G114	LOW SPEED CLUTCH

FIGURE 11
LIGHT KIT

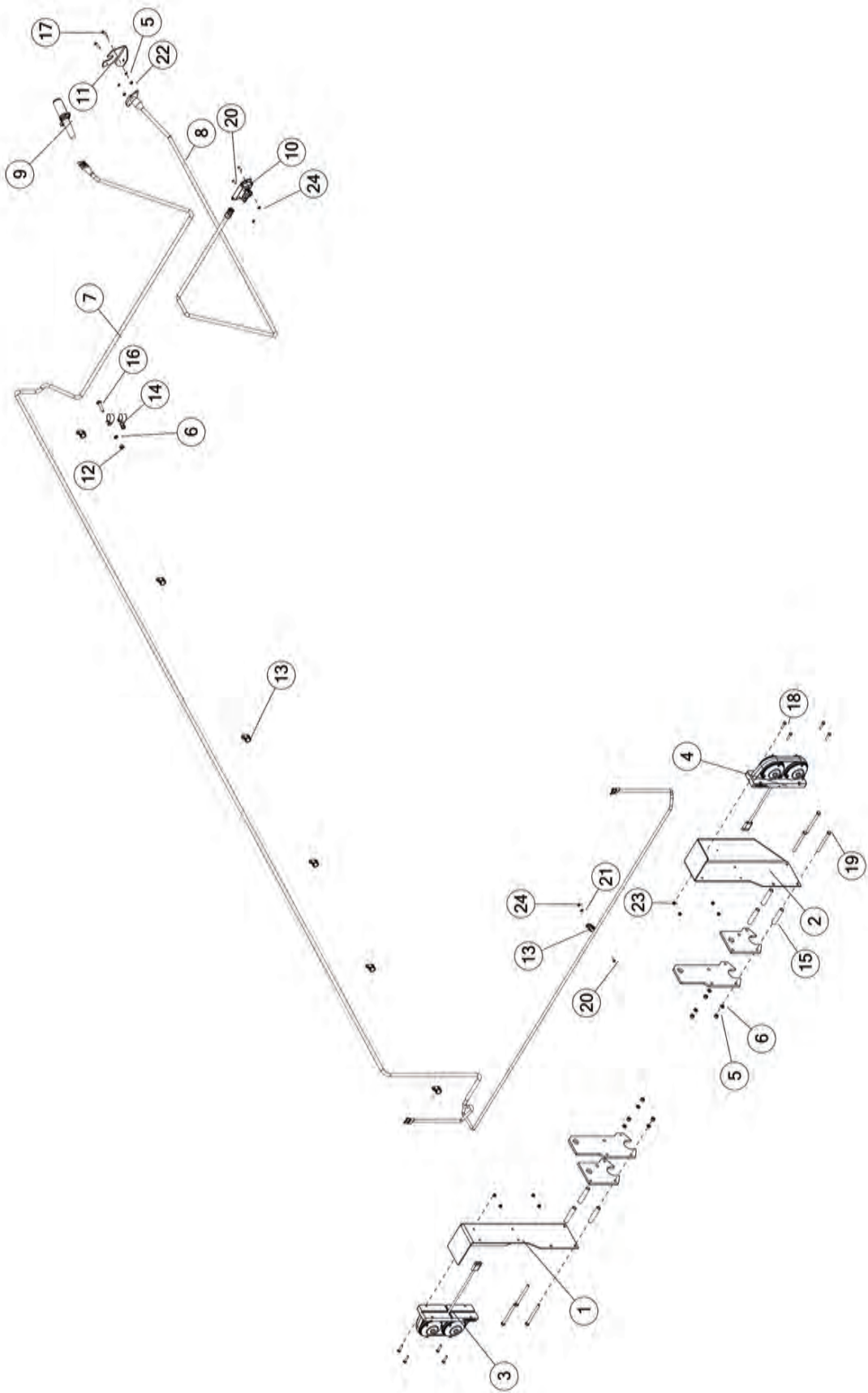


FIGURE 11 LIGHT KIT

<u>ITEM</u>	<u>QTY</u>	<u>PART#</u>	<u>DESCRIPTION</u>
1	1	77918	LIGHT BRACKET LH
2	1	77922	LIGHT BRACKET RH
3	1	77923	TAIL LIGHT ASSY LH
4	1	77924	TAIL LIGHT ASSY RH
5	6	YNL12005	NUT HEX, 3/8
6	2	YWLO12005	WASHER LOCK, 3/8
7	1	77975	ELEC HARNESS
8	1	79260	LIGHT HARNESS
9	1	TLPC	TRANSPORT LIGHT CORD
10	1	69908	MODULE CONTROL BLINKER
11	1	BFR659	LIGHT BRACKET
12	2	YNL12005	NUT HEX, 3/8
13	5	HGV162	1/2 RUBBER WIRE HOLDER
14	2	HGV72	SMALL TUBE HOLDER SPACER
15	6	ST55	BOLT CARRIAGE, 3/8 X 2
16	2	YBCR12035	BOLT CARRIAGE, 1/4 X 1
17	2	YBHH08005	BOLT HEX, 1/4 X 1-1/4
18	8	YBHH08030	BOLT HEX, 3/8 X 4-1/2
19	8	YBHH12185	MACHINE SCREW #10-24 X 5/8
20	6	YSPN64005	RIVET
21	6	YMRV06015	WASHER, 3/16
22	2	YNHX08005	NUT HEX, 1/4
23	8	YNNY08005	NUT HEX, 1/4
24	8	YNNY64005	NUT HEX, #10-24

CHANGE NOTES

H&S MFG. CO.
products approved
for the
FEMA
SEAL OF QUALITY



Manufactured by:
H&S MANUFACTURING CO., INC.
2608 S. HUME AVE. MARSHFIELD, WI 54449
(715) 387-3414 | hsmfgco.com

