



# **PARTS BOOK**

**S3123**

**MANURE SPREADER**

Part #72934

Rev. #14

HSMFG121123

Starting Ser. #421MS23001



# TABLE OF CONTENTS

<b>FIGURE #</b>	<b>CONTENTS</b>	<b>PAGE #</b>
*	INSTRUCTIONS FOR ORDERING PARTS	1
1	JACK SHAFT SHIELD & COMPONENTS	2-3
2	FRONT SHIELD & COMPONENTS	4-5
3	SHIFTING LINK & COMPONENTS	6-9
4	SPLASH GUARD & COMPONENTS	10-11
5	SIDE FLARES & OMPONENTS	12-13
6	APRON CHAIN TIGHTENERS & COMPONENTS	14-15
7	SIDE SHAFT & COMPONENTS	16-17
8	REAR DRIVE SHIELD & COMPONENTS	18-19
9	DRIVE SHAFT & COMPONENTS	20-21
10	BOTTOM BEATER & COMPONENTS	22-23
11	SIDE PANELS & COMPONENTS	24-25
12	FLOOR & COMPONENTS	26
13	APRON CHAIN	27
14	TAILGATE & COMPONENTS	28-29
15	WHEEL & HUB ASSEMBLY	30-31
16	GEARBOX	32-35
17	ENDGATE CYLINDER	36
18	PTO	37
19	OPTIONAL TOP BEATER (MSOTB327)	38-41
20	OPTIONAL 2ND CYLINDER (MSO14B)	42-43
21	OPTIONAL REAR PAN (MSOPAN235)	44-45
22	OPTIONAL HIGHWAY LIGHTING KIT (MSOLIGHT)	46-47
23	OPTIONAL 16.5 X 16.1 TIRE/WHEEL/SPINDLE/HUB (TWSHP235)	48-49
*	PARTS NOTES	50



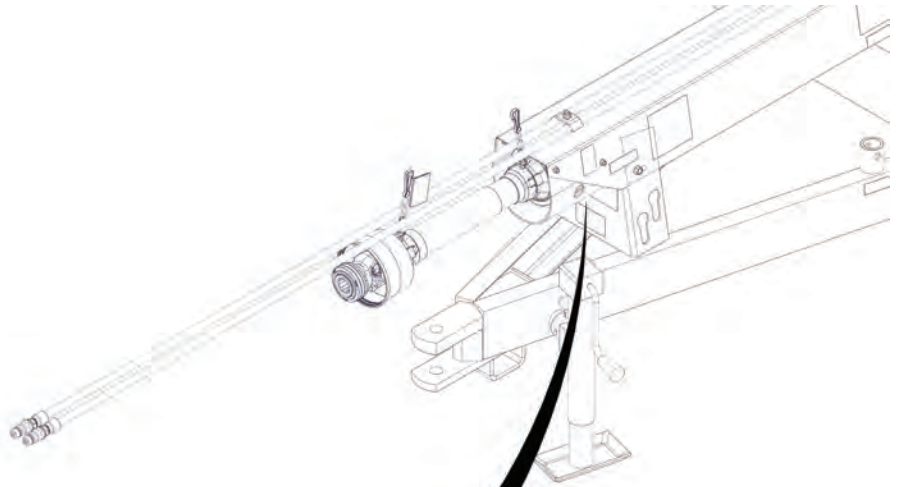
# INSTRUCTIONS FOR ORDERING PARTS

All service parts should be ordered through your authorized H&S dealer. Your Dealership will be able to give you faster service if you will provide them with the following:

1. All references to left or right apply to the machine as viewed from the rear.
2. Parts should not be ordered from illustration only. Please order complete part number.
3. If your dealer has to order parts, give shipping instructions:

VIA truck - large pieces (please specify local truck lines)

VIA United Parcel Service (include full address)

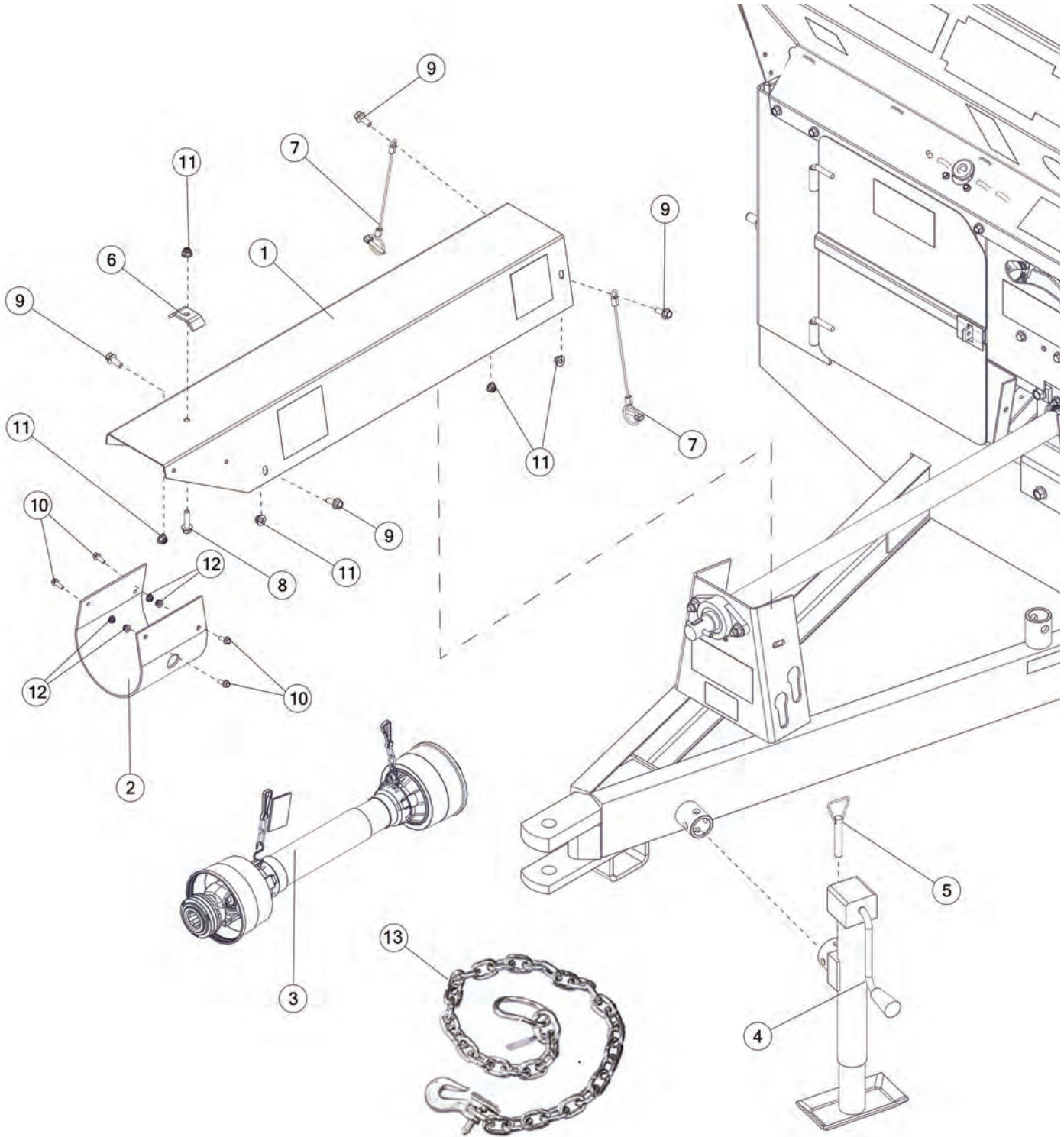


<b>H&amp;S MFG. CO. INC.</b> MARSHFIELD, WIS.	
MOD. NO.	<input type="text"/>
SER. NO.	<input type="text"/>
DESCR.	<input type="text"/>

H&S IS CONTINUALLY STRIVING TO IMPROVE ITS PRODUCTS

We must, therefore, reserve the right to make improvements or changes whenever it becomes practical to do so, without incurring any obligation to make changes or additions to the equipment previously sold.

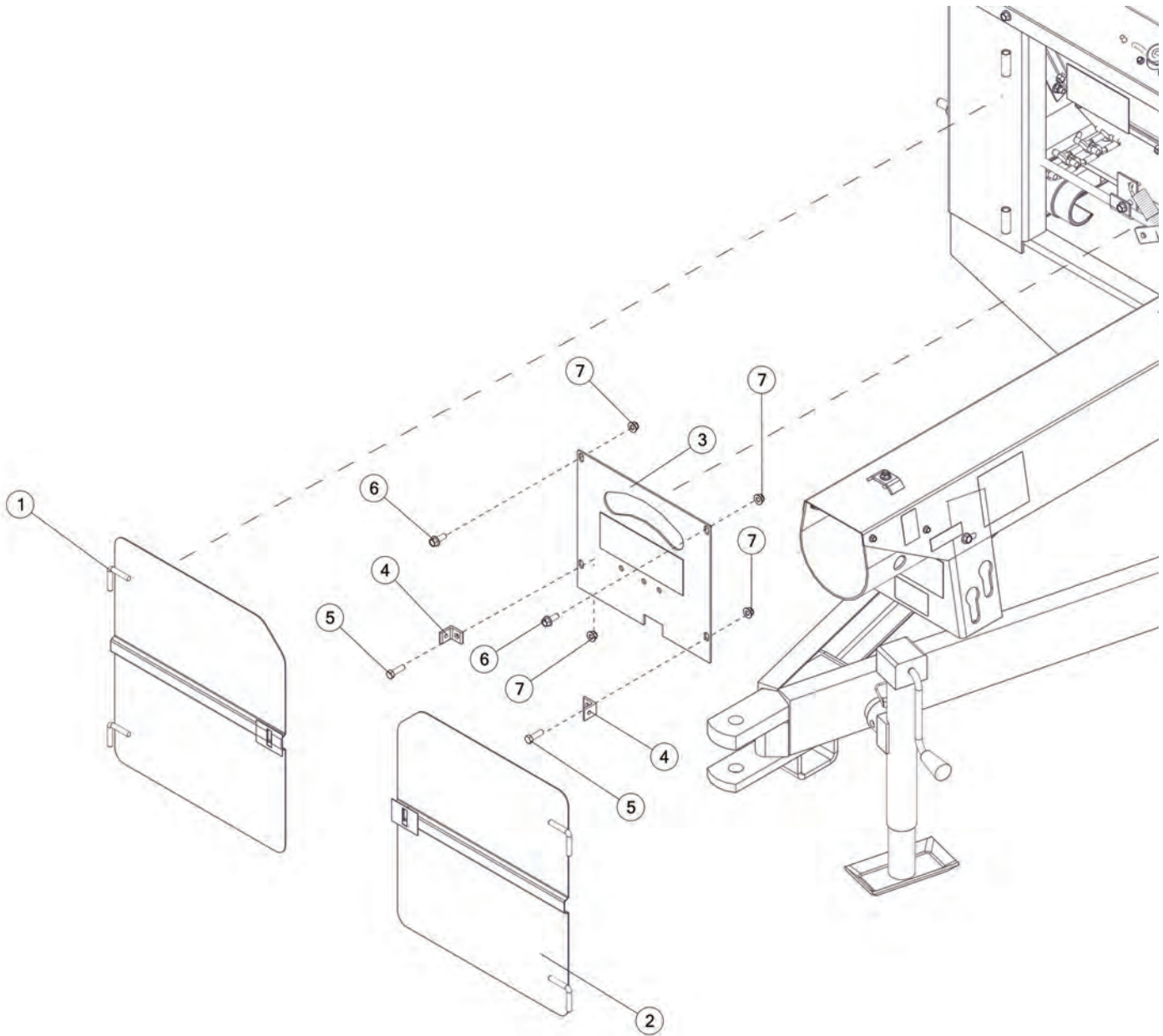








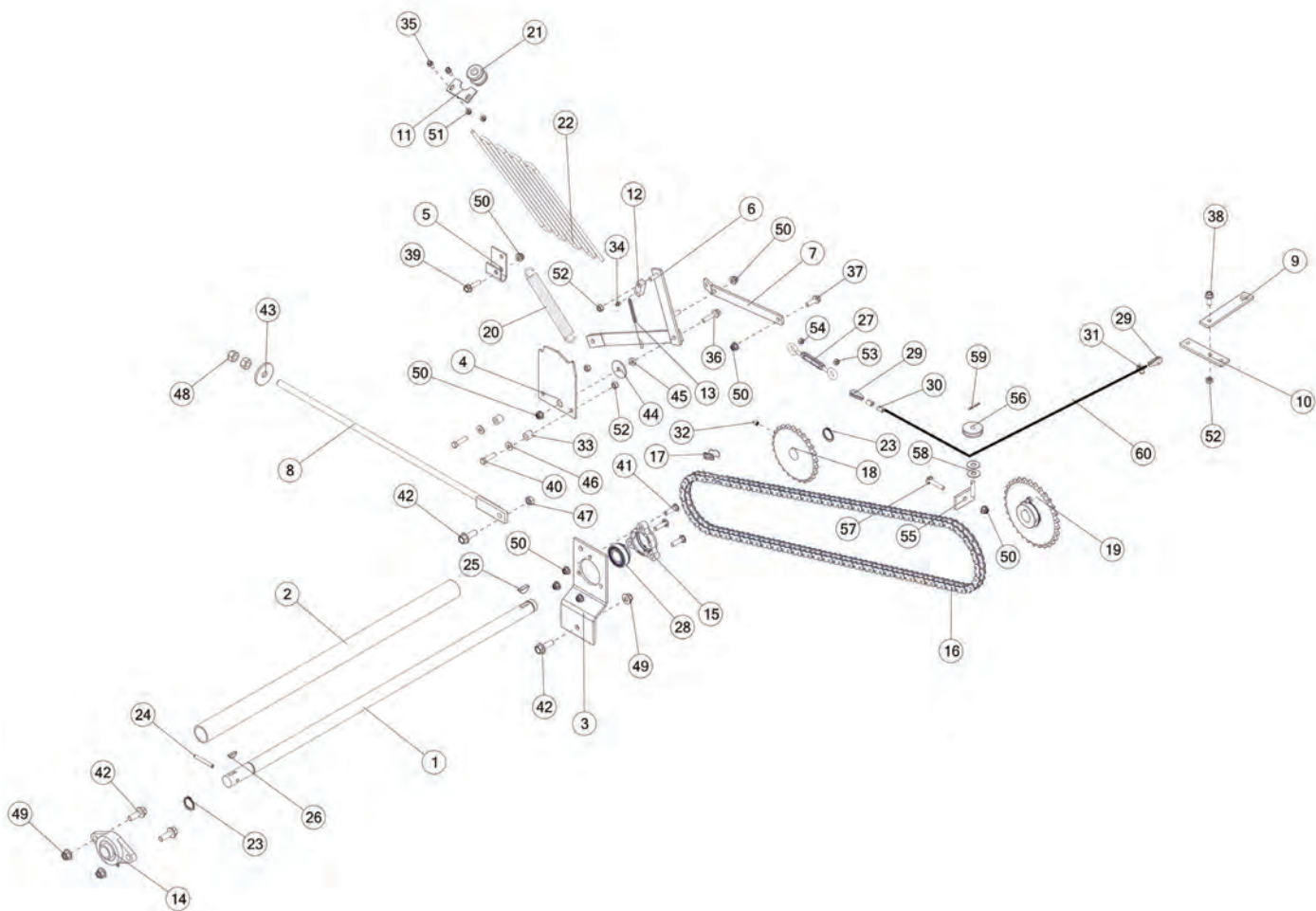
# FIGURE 2 FRONT SHIELD & COMPONENTS







**FIGURE 3**  
**SHIFTING LINKS & COMPONENTS**



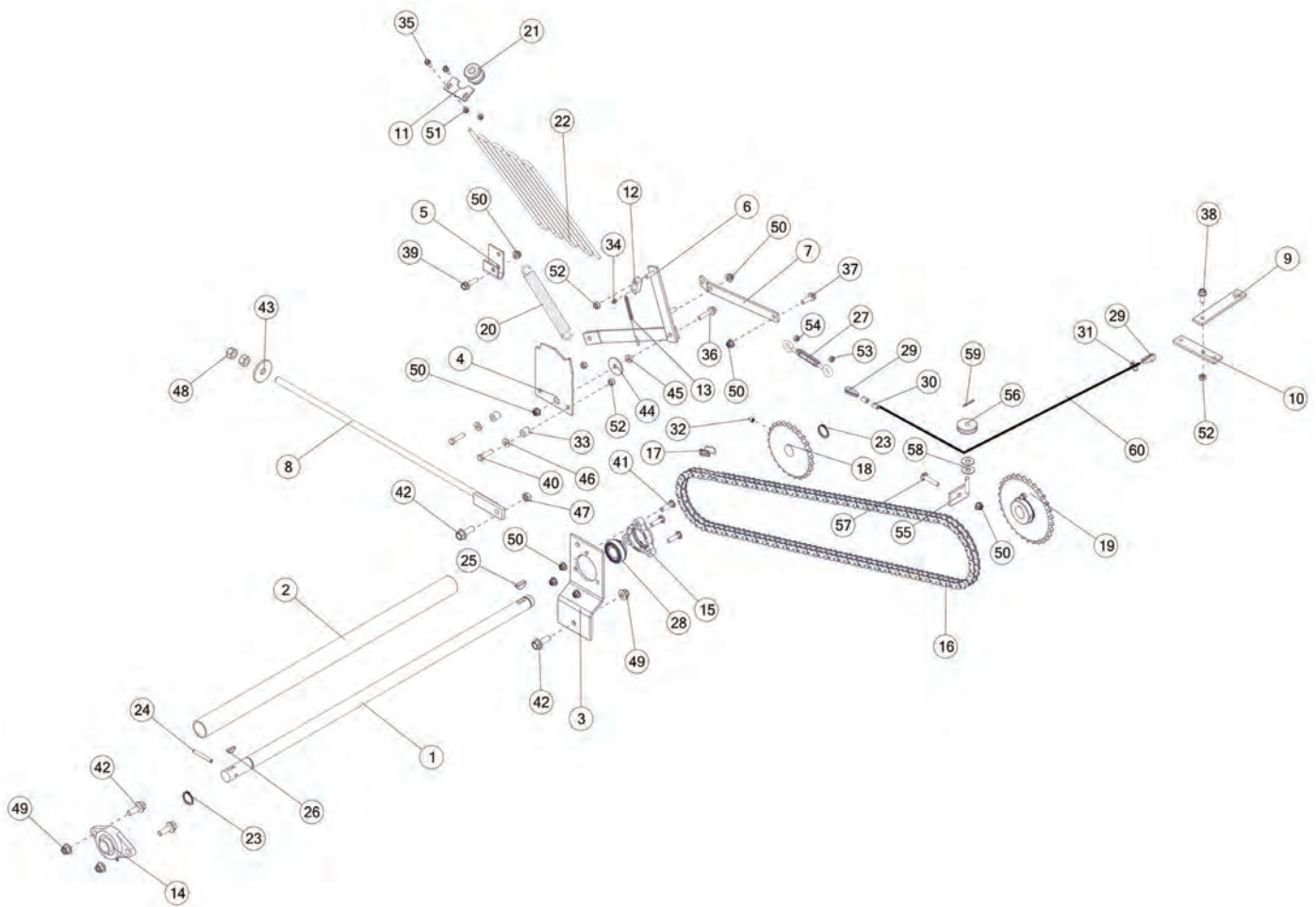


REF #	PART #	DESCRIPTION	QTY
1	23N72	FRONT SHAFT	1
2	37N74	FRONT SHAFT GUARD, 35.38	1
3	23N68	FRONT ADJUSTMENT PLATE	1
4	23N283	STOP BRACKET	1
5	23N287	SPRING BRACKET	1
6	23N280	SHIFTER LEVER	1
7	23N281	PIVOT LINK BRACKET	1
8	23N63	TIGHTENER ROD	1
9	23N289	SHIFTER ROD LEVER FULCRUM	1
10	23N290	SHIFTER ROD BRACKET	1
11	23N182	CABLE GUIDE BRACKET	1
12	23N282	SHIFTER DOG BRACKET, 5/8	1
13	23N284	SPRING, EXTENSION COIL, 5.5 X 6.95, 1.2	1
14	12N29	BEARING, FLANGE, 3.13 X 1.25 X 5.59	1
15	80662	BEARING, 1-1/4	1
16	23N245	ROLLER CHAIN, 124 PITCHES	1
17	D39	CONNECTOR LINK, #60	1
18	23N70	SPROCKET, 60 B 25 1.25 SHAFT	1
19	23N253	CABLE	1
20	10R14	SPRING, COIL, 8.5 25 TENS	1
21	F33	SIDE CABLE GUIDE	1
22	77192	ROPE, 5/16 180	1
23	F73	SNAP RING, 1-1/4	2
24	YPEX10250	EXPANSION PIN, 5/16 X 2-1/2	1
25	5B9	WOODRUFF KEY, 3/8 X 1-1/4	1
26	5B10	WOODRUFF KEY, 1/4 X 1	1
27	F84	TURNBUCKLE	1
28	80659	BEARING, 1-1/4	1
29	ES14	THIMBLE	2
30	71279	SLEEVE, .13 X .63	2
31	BFR220	CABLE CLAMP, 3/16	1
32	YSKP12010	SET SCREW, SCKT, KNURLED CUP PT, 3/8-16 X 1/2	1
33	ST81	EXTENSION SPACER, 11/16	2
34	G89	STRAIGHT ZERK, 1/4-28	1
35	YBFB08075	BOLT FLANGE, 1/4 X 3/4 G5	2
36	YBFB12175	BOLT FLANGE, 3/8 X 1-3/4 G5	1
37	YBFB12125	BOLT FLANGE, 3/8 X 1-1/4 G5	1
38	YBFB12003	BOLT FLANGE, 3/8 X 1 G5	1
39	YBFB12150	BOLT FLANGE, 3/8 X 1-1/2 G5	1





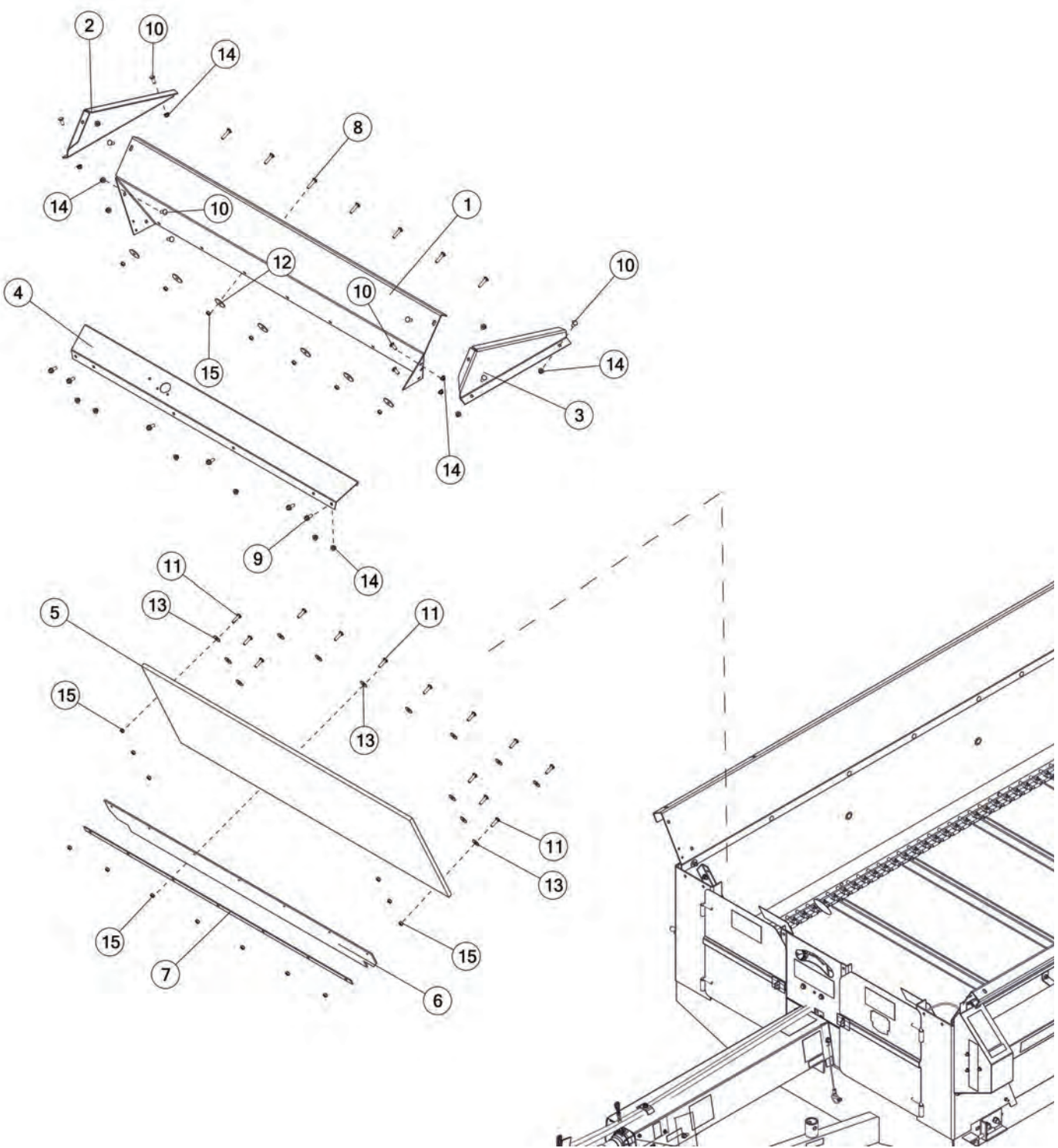
**FIGURE 3**  
**SHIFTING LINKS & COMPONENTS**







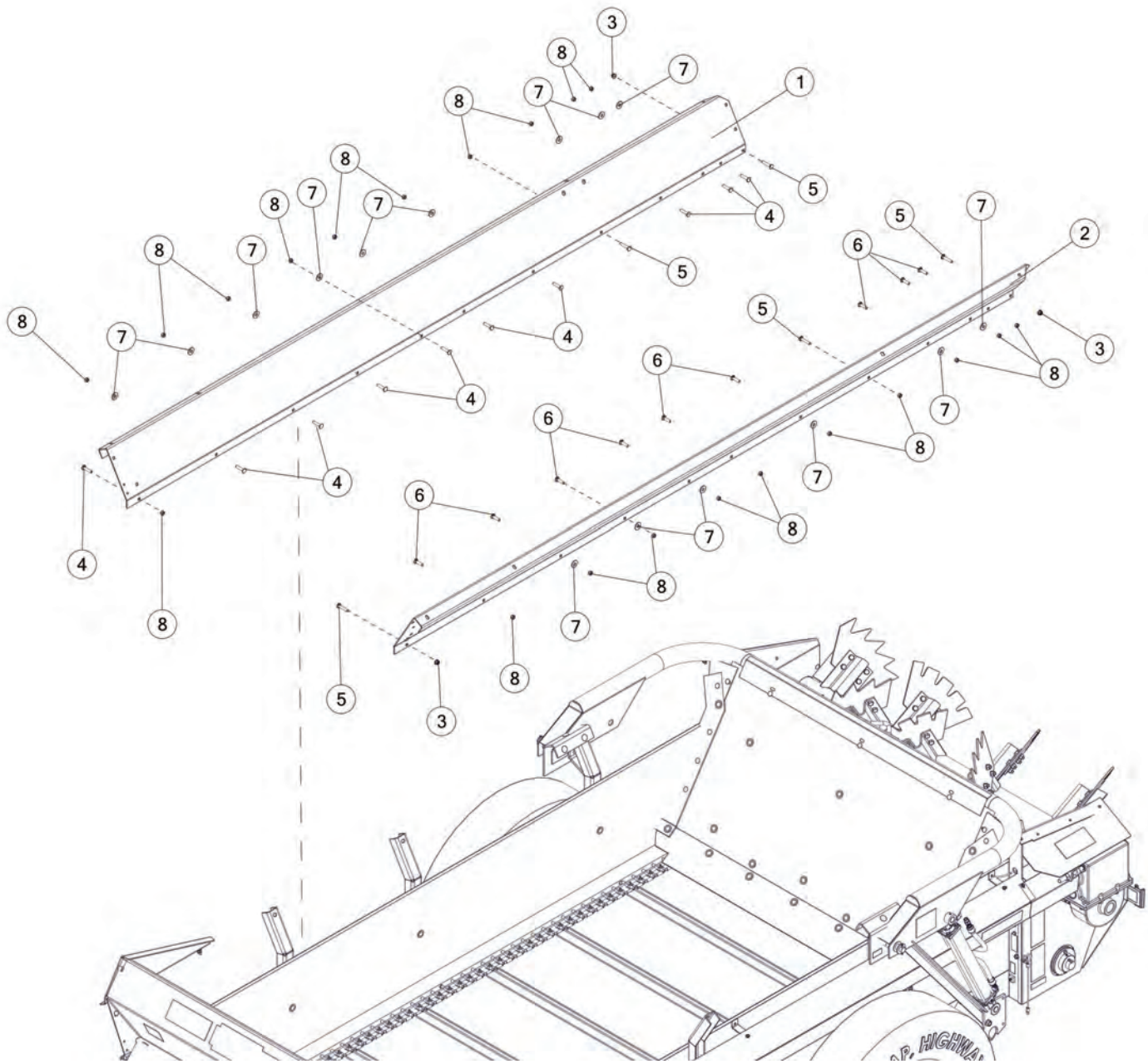
# FIGURE 4 SPLASH GUARD & COMPONENTS







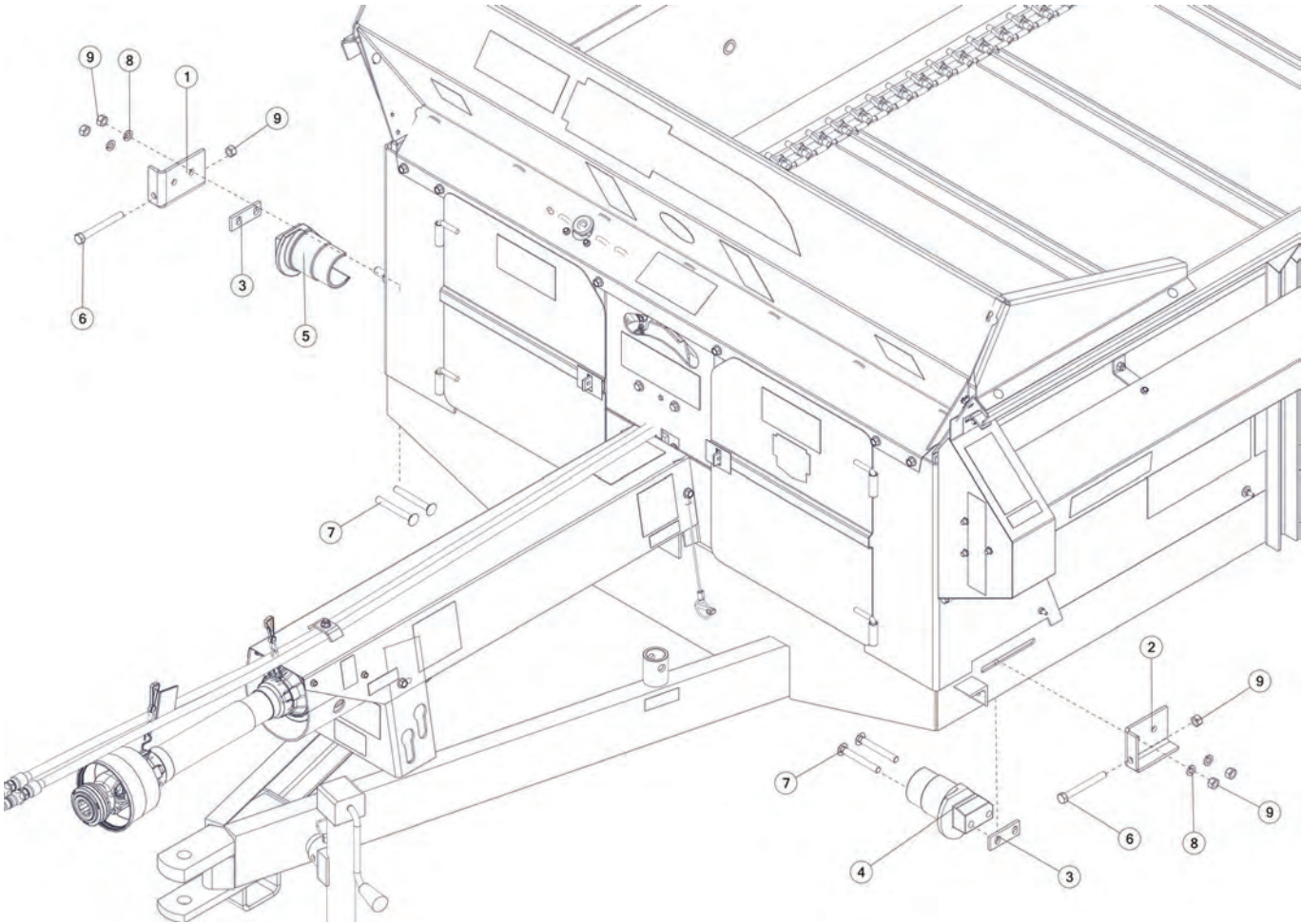
**FIGURE 5**  
**SIDE FLARES & COMPONENTS**







# FIGURE 6 APRON CHAIN TIGHTENERS & COMPONENTS

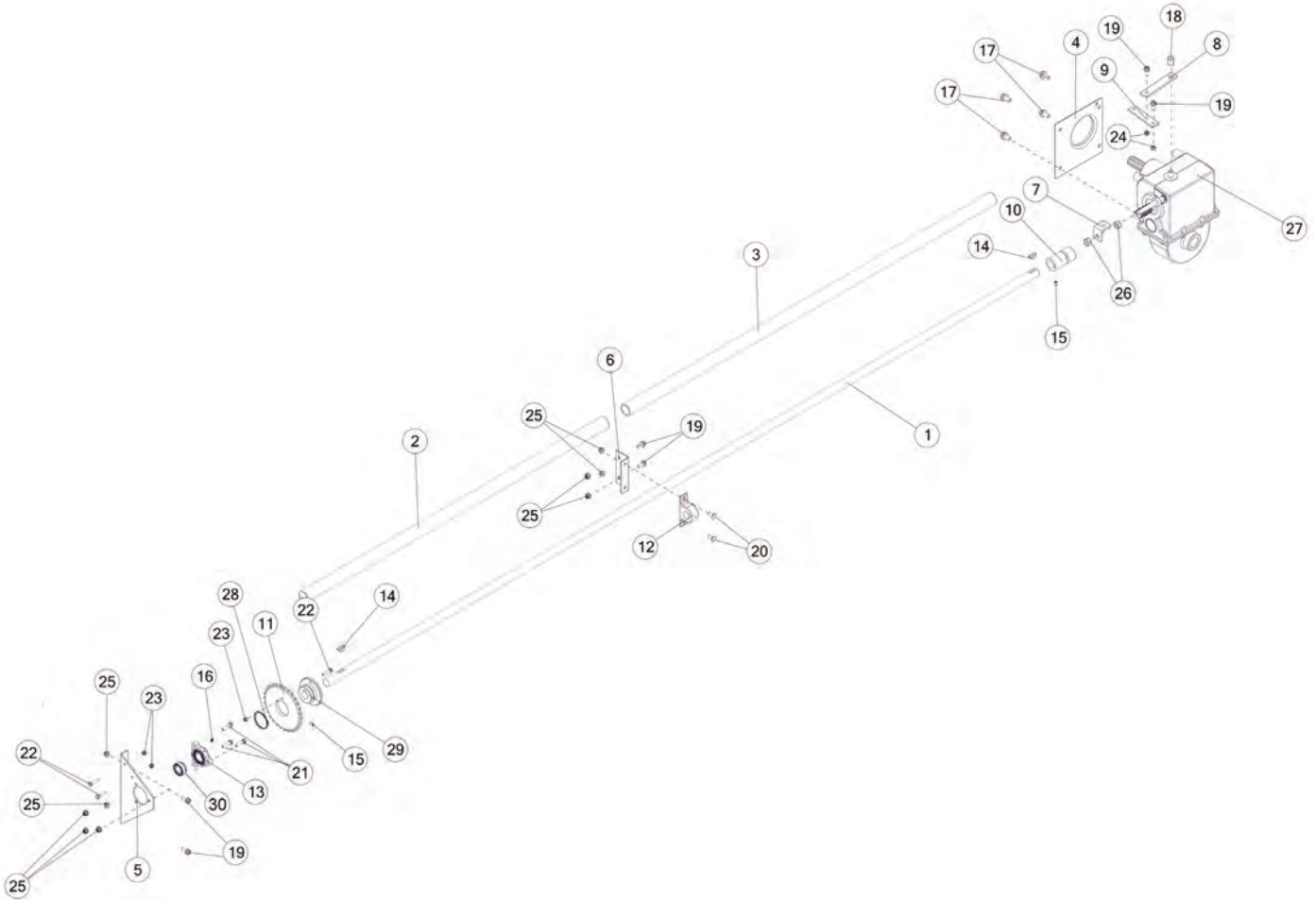




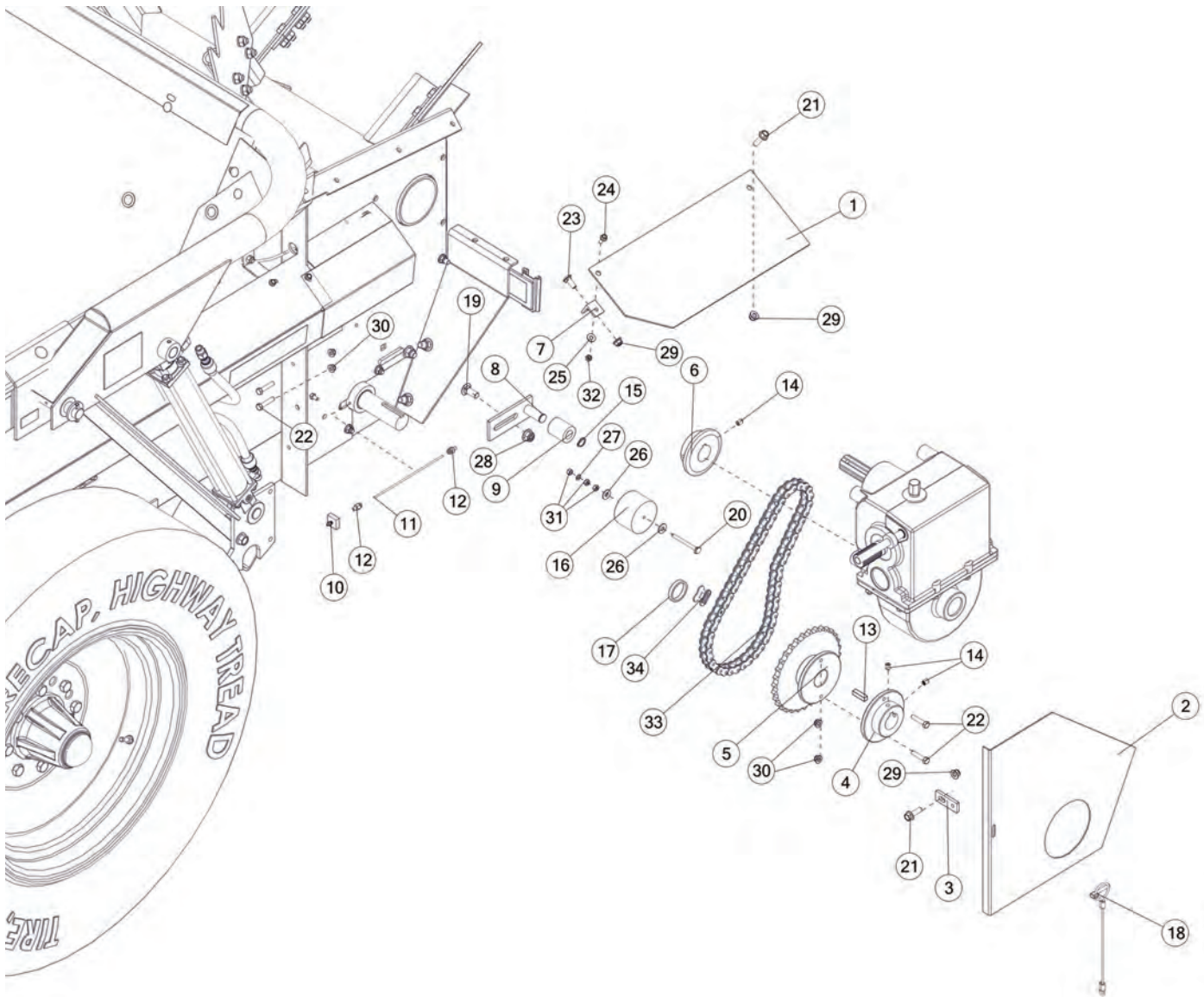




# FIGURE 7 SIDE SHAFT & COMPONENTS









# FIGURE 8

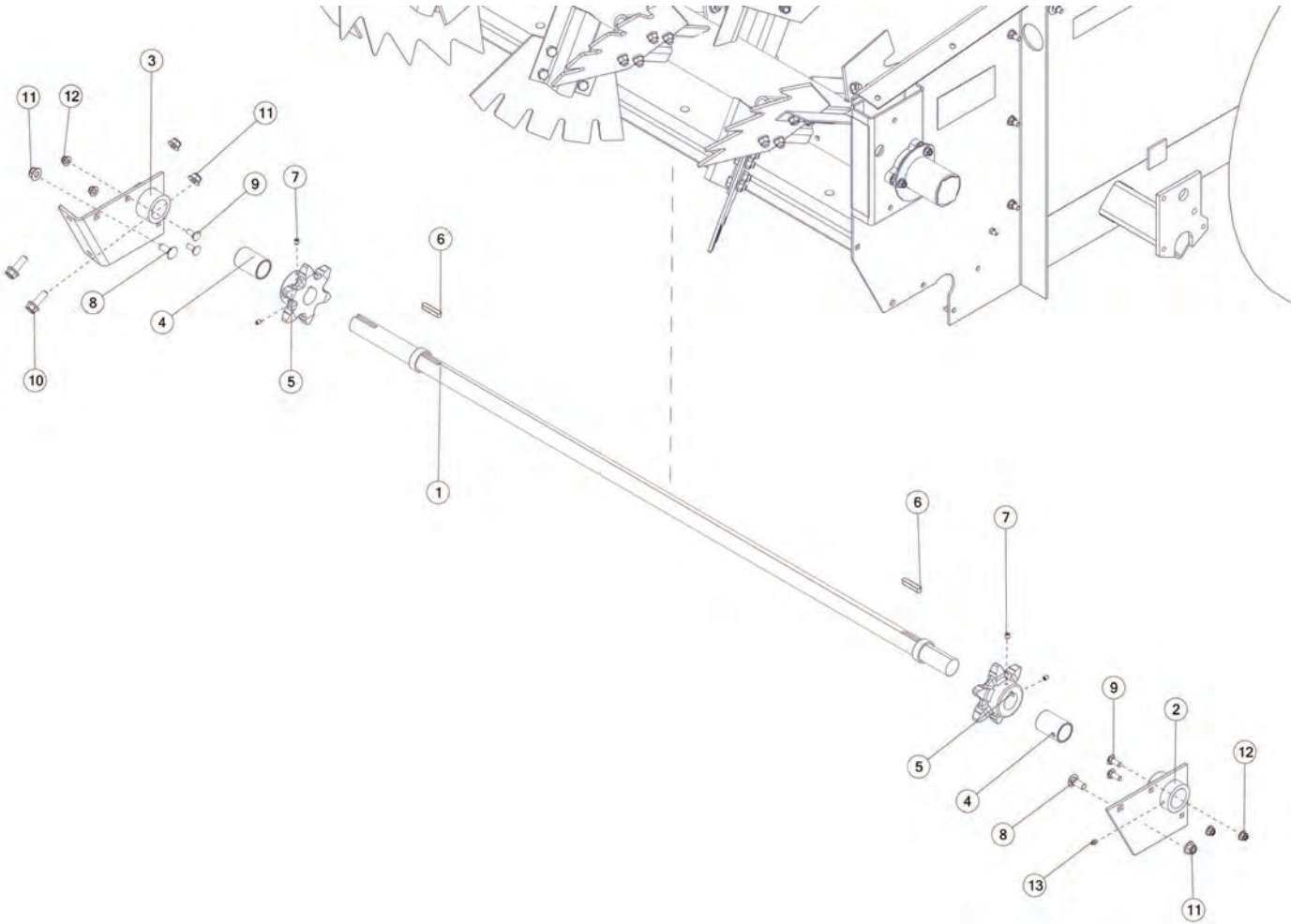
## REAR DRIVE SHIELD & COMPONENTS

REF #	PART #	DESCRIPTION	QTY
1	23N250B	SHIELD W/DECALS	1
2	23N261B	DRIVE SHIELD W/DECALS	1
3	23N64	FRONT SHIELD BRACKET	1
4	17G71	BACK SHEAR HUB	1
5	17G68	SHEAR HUB SPROCKET	1
6	17G67	SPROCKET, 60, B, 16, 1.5 SHAFT	1
7	F92	FRONT SHIELD BRACKET	1
8	17G69	REAR, CHAIN	1
9	23N238	CHAIN TIGHTENER ROLLER	1
10	16V9	ZERK BRACKET AND ZERK	1
11	23N256	GREASE LINE	1
12	S47	GREASE LINE FITTING	2
13	A32	SQUARE KEY, 3/8 X 1-3/8	1
14	YSKP12010	SET SCREW, SCKT, KNURLED CUP PT, 3/8-16 X 1/2	3
15	10R32	SNAP RING, EXTERNAL, .7	1
16	23N258	CHAIN OILER	1
17	23N266	DRIVE SHAFT SPACER	1
18	S122	LANYARD, CLIP PIN CABLE	1
19	YBCR16015	BOLT CARRIAGE, 1/2-13 X 1-1/4 G5 ZC	1
20	YBCR08050	BOLT CARRIAGE, 1/4-20 X 3.00 G5 ZC	1
21	YBFB12125	BOLT FLANGE, 3/8 X 1-1/4 G5	2
22	YBHH10030	BOLT HEX, 5/16-18 X 1-1/2 G5	4
23	YBCR12010	BOLT CARRIAGE, 3/8-16 X 1 G5 ZC	1
24	YBFB08075	BOLT FLANGE, 1/4 X 3/4 G5	1
25	YWFL08005	WASHER, FLAT, 1/4	1
26	YWFL10005	WASHER, FLAT, 5/16	2
27	YWLO08005	WASHER, LOCK, 1/4, ZC	1
28	YNFG16003	NUT FLANGE, 1/2 GF	1
29	YNFG12006	NUT FLANGE, 3/8 GF	3
30	YNFG10005	NUT FLANGE, 5/16 GF	4
31	YNHX08005	NUT HEX, 1/4-20 ZC	3
32	YNHX08010	NUT HEX, 1/4-20 G8 ZY	1
33	23N260	ROLLER CHAIN, #60	1
34	D39	CONNECTOR LINK, #60	1





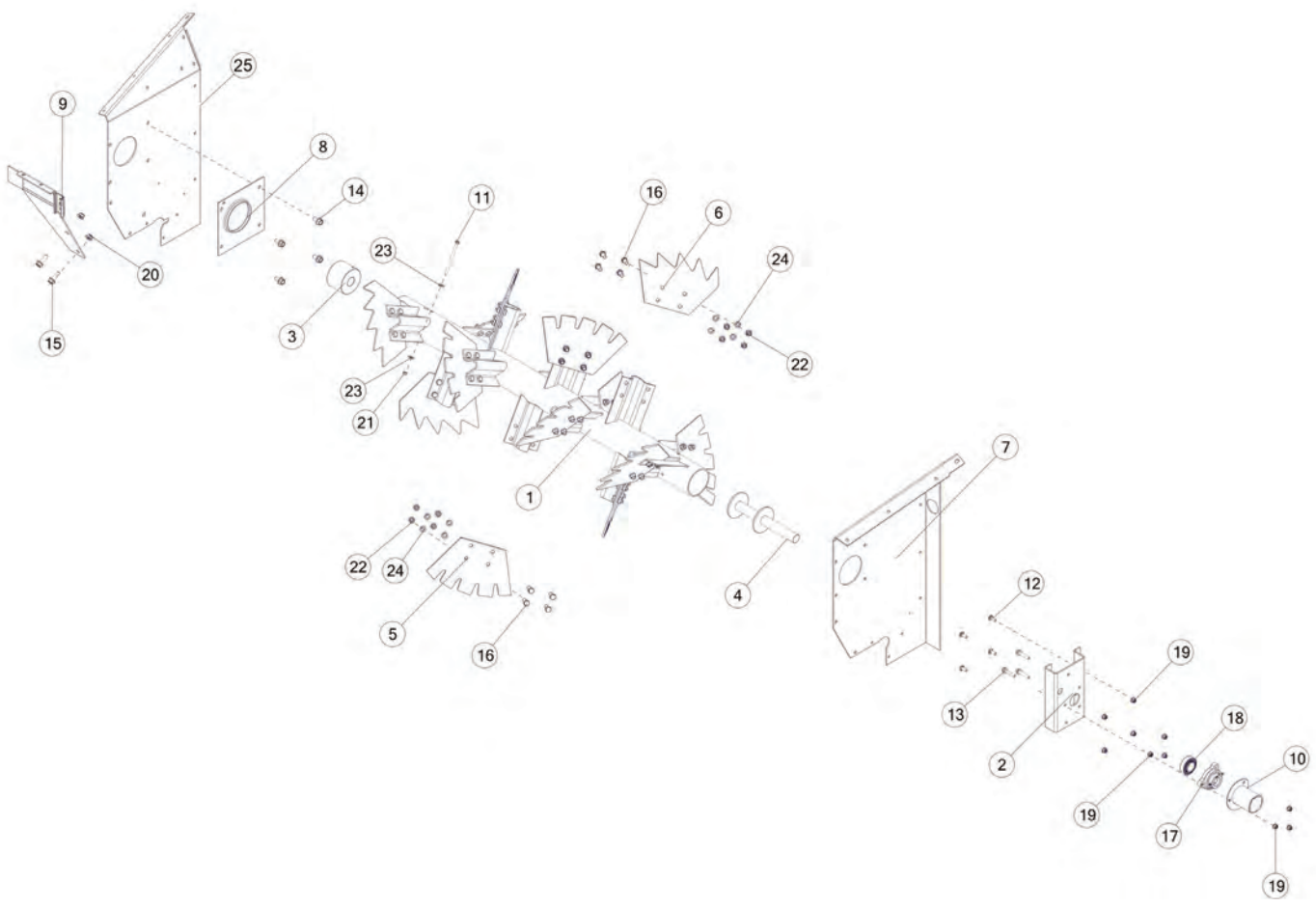
# FIGURE 9 DRIVE SHAFT & COMPONENTS







# FIGURE 10 BOTTOM BEATER & COMPONENTS

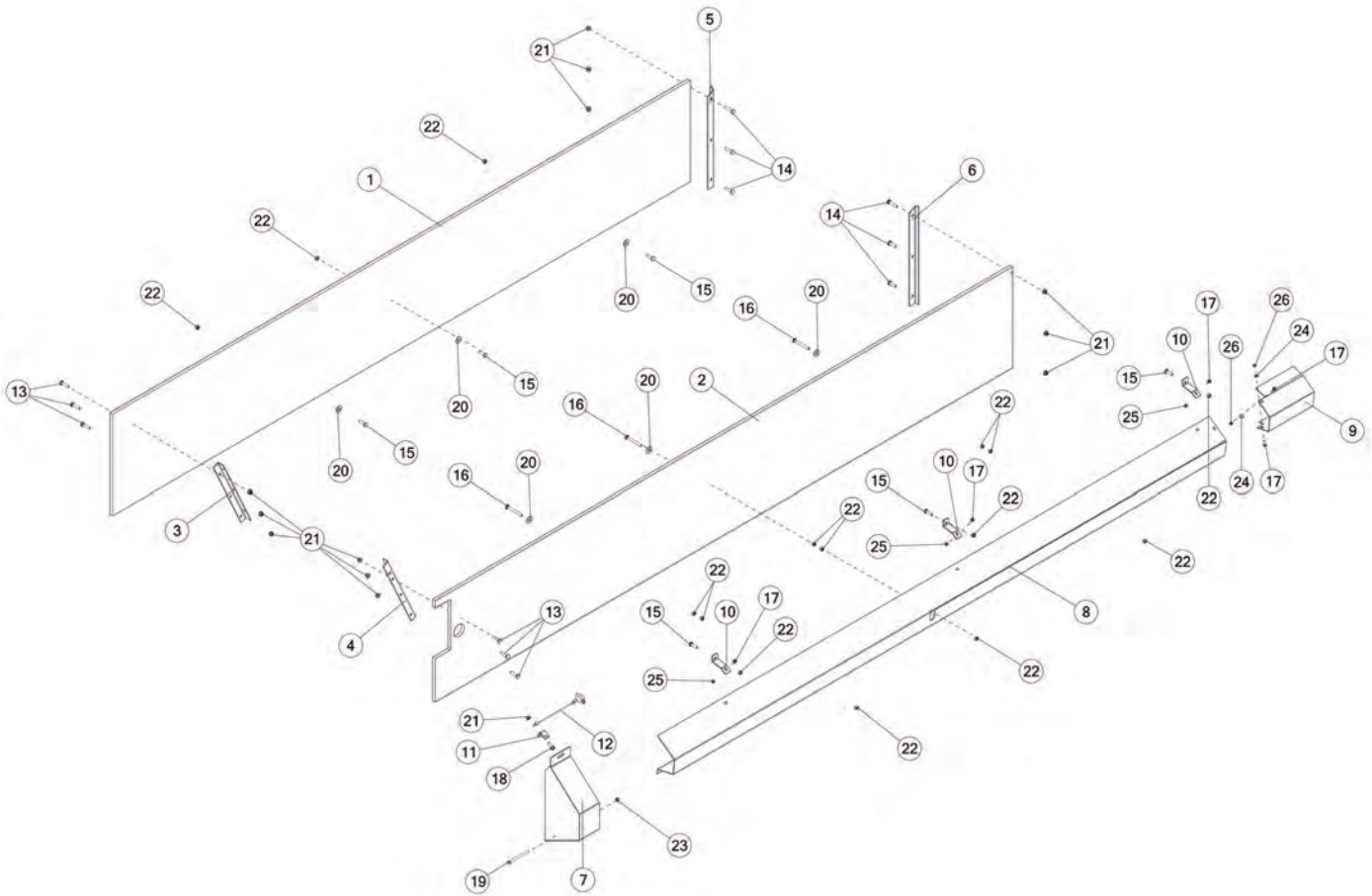








# FIGURE 11 SIDE PANELS & COMPONENTS



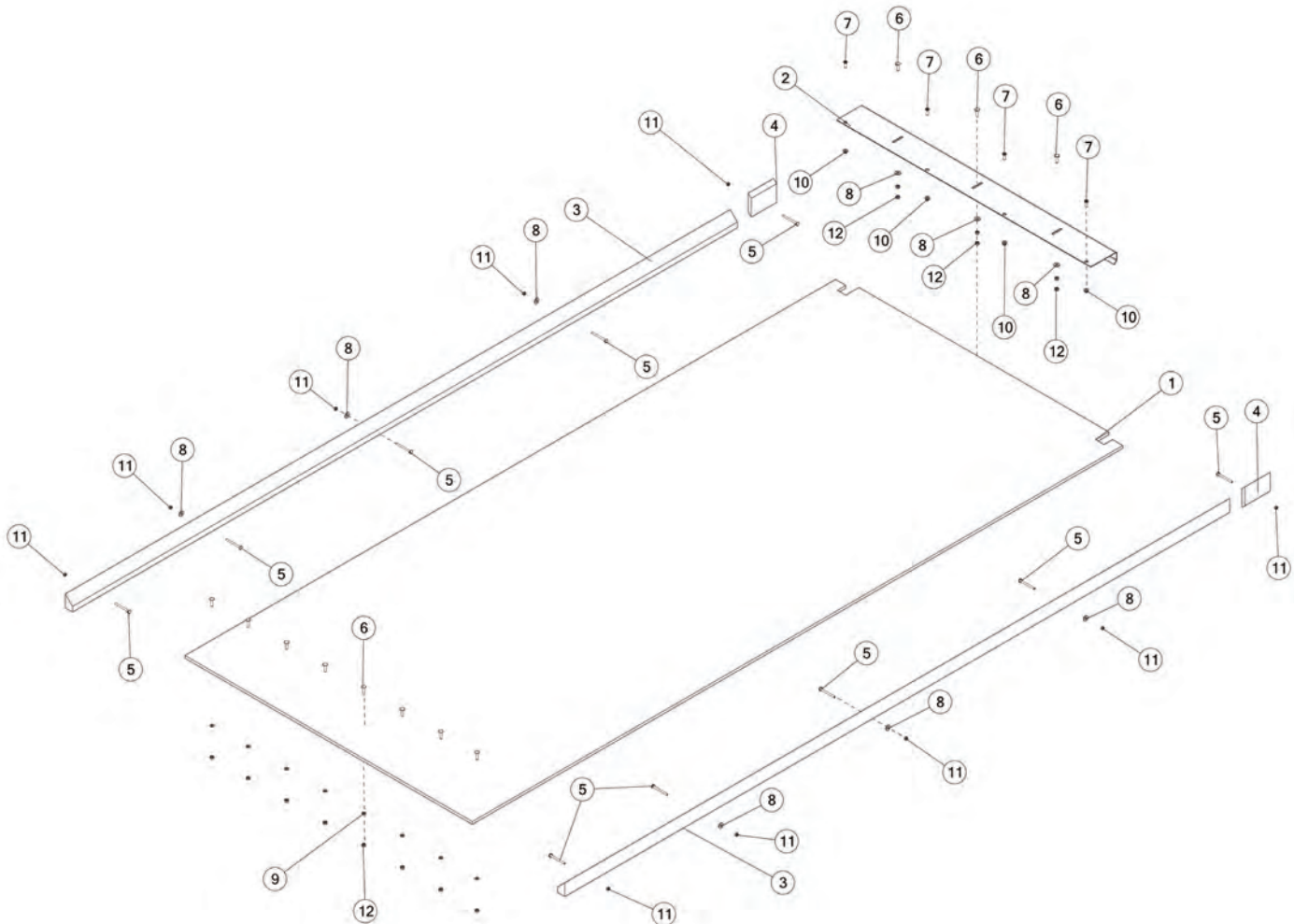


# FIGURE 11

## SIDE PANELS & COMPONENTS

REF #	PART #	DESCRIPTION	QTY
1	23N272AB	SIDE PLYWOOD W/FIBERGLASS RH W/DECALS	1
2	23N273AB	SIDE PLYWOOD W/FIBERGLASS LH W/DECALS	1
3	23N35	GATE ANGLE RH	1
4	23N36	GATE ANGLE LH	1
5	23N13	SIDE POLY HOLDOWN RH	1
6	23N14	SIDE POLY HOLDOWN LH	1
7	22G21B	SHIELD W/DECALS	1
8	23N247B	SIDE SHIELD W/DECALS	1
9	23N292	SHAFT SHIELD	1
10	23N248	SIDE SHIELD BRACKET	3
11	23N242	SHIELD ANGLE	1
12	S122	LANYARD, CLIP PIN CABLE	1
13	YBCR12030	BOLT CARRIAGE, 3/8-16 X 1-3/4 G5 ZC	6
14	YBCR12035	BOLT CARRIAGE, 3/8-16 X 2 G5 ZC	6
15	YBCR12015	BOLT CARRIAGE, 3/8-16 X 1-1/2 G5 ZC	6
16	YBCR12070	BOLT CARRIAGE, 3/8-16 X 3-1/2 G5 ZC	3
17	YBFB08075	BOLT FLANGE, 1/4 X 3/4 G5	5
18	YBHH12035	BOLT HEX, 3/8 X 1-1/4 G5	1
19	YBHH12185	BOLT HEX, 3/8 X 4-1/2 G5	1
20	YWFL14005	WASHER, FLAT, 7/16 ZC	6
21	YNFG12006	NUT FLANGE, 3/8 GF	13
22	YNHX12005	NUT HEX, 3/8-16 ZC	15
23	YNRL12005	NUT HEX, 3/8-16 LKRS ZC	1
24	YWFL08005	WASHER, FLAT, 1/4	2
25	YNFG08010	NUT FLANGE, 1/4 GF	3
26	YNHX08010	NUT HEX, 1/4-20 G8 ZY	2

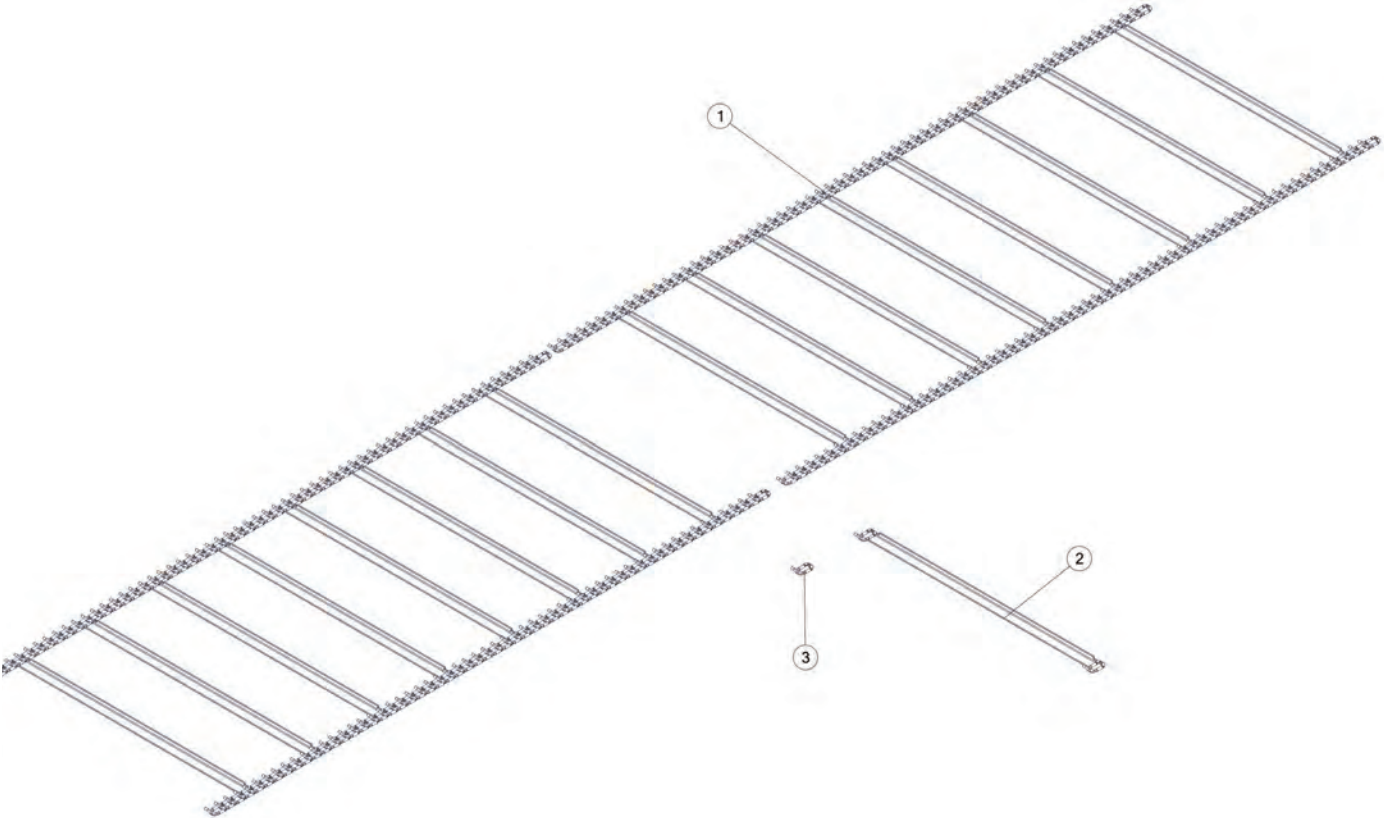




REF #	PART #	DESCRIPTION	QTY
1	93609	FLOOR	1
2	37N82	DRIVE SHAFT SHIELD	1
3	23N125	APRON CHAIN SIDE SPACER	2
4	75562	SPACER BLOCK W/O HOLE RH	2
5	YBCR08050	BOLT CARRIAGE, 1/4-20 X 3 G5 ZC	10
6	YBCR10020	BOLT CARRIAGE, 5/16-18 X 1-1/4 G5 ZC	11
7	YSFM10005	FLAT HEAD MACH, SCREW, 5/16 X 1	4
8	YWFL10005	WASHER, FLAT, 5/16	9
9	YWLO10005	WASHER, LOCK, 5/16	8
10	YNFG10005	NUT FLANGE, 5/16 GF	4
11	YNHX08005	NUT HEX, 1/4-20 ZC	10
12	YNHX10005	NUT HEX, 5/16-18 ZC	14



**FIGURE 13**  
**APRON CHAIN**

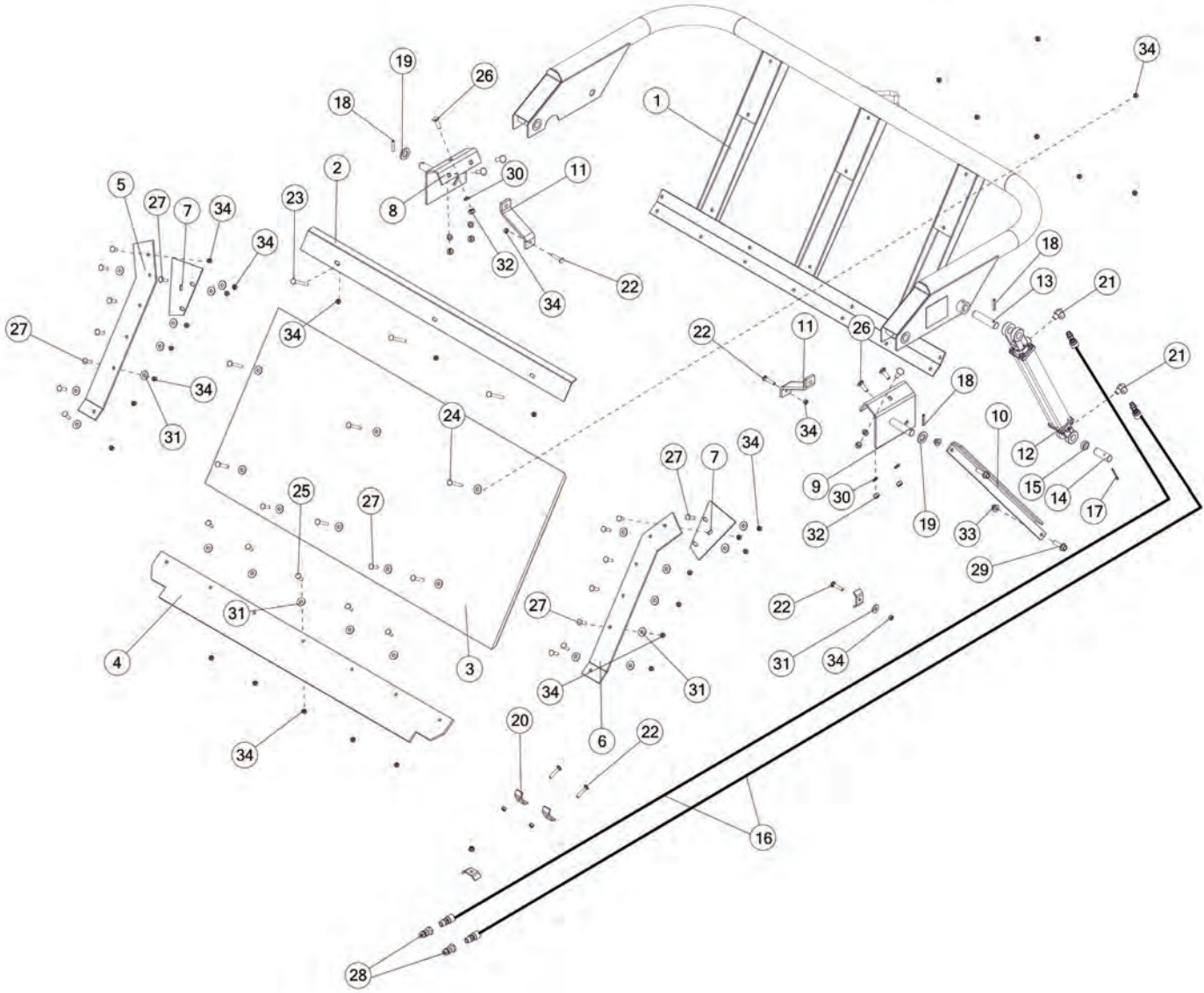


REF #	PART #	DESCRIPTION	QTY
1	23N123	APRON CHAIN 17 SLATS, 210 LINKS	1
2	23N124	T-ROD SLAT	17
3	S55	T-ROD STANDARD LINK	210





# FIGURE 14 TAILGATE & COMPONENTS



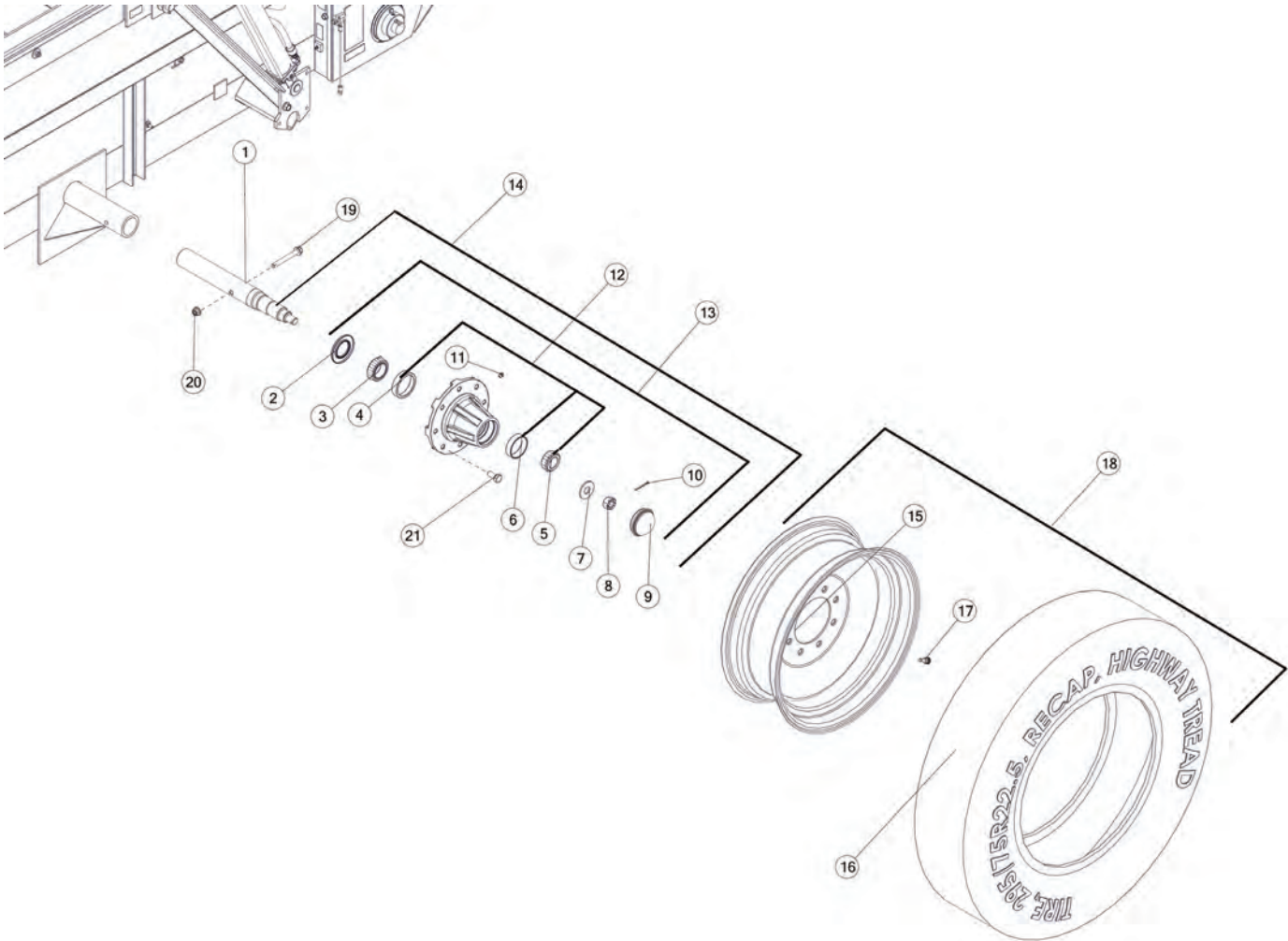


# FIGURE 14

## TAILGATE & COMPONENTS

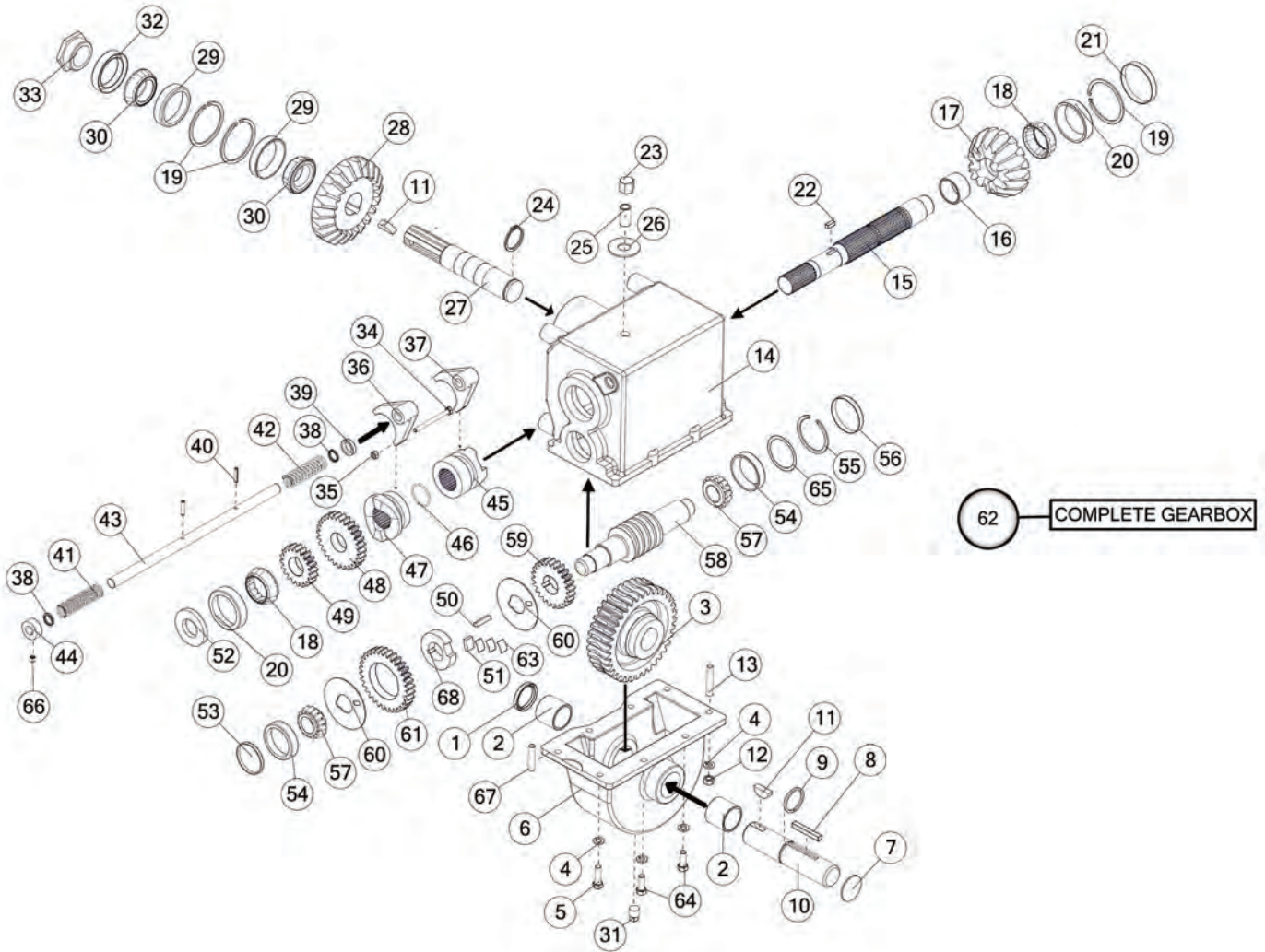
REF #	PART #	DESCRIPTION	QTY
1	23N298B	TAILGATE FRAME W/DECALS	1
2	23N163	TAILGATE POLY HOLD	1
3	31N37A	TAILGATE PLYWOOD W/FIBERGLASS	1
4	23N105	TAILGATE RUBBER	1
5	23N99	SIDE RUBBER RH	1
6	23N100	SIDE RUBBER LH	1
7	23N104	TAILGATE FILLER	2
8	23N299	TAILGATE MOUNT RH	1
9	23N300	TAILGATE MOUNT LH	1
10	23N231	TAILGATE BRACE LH	1
11	23N232	TAILGATE BRACKET	2
12	56015	HYDRAULIC CYLINDER, 2 X 16	1
13	23N301	CYLINDER PIN	1
14	23N107	CYLINDER PIN	1
15	K132	SPACER, 3/8	1
16	23N307	HYDRAULIC HOSE, 3/8 X 274	2
17	YPCT07005	COTTER PIN, 7/32 X 2	1
18	YPEX10015	EXPANSION PIN, 5/16 X 1-3/4	3
19	23N109	TAILGATE WASHER	2
20	23N67	FRONT HOSE BRACKET	1
21	23N234	FITTING, 90, 3/8NPT, 3/8NPT	2
22	YBCR12035	BOLT CARRIAGE, 3/8-16 X 2 G5 ZC	4
23	YBCR12070	BOLT CARRIAGE, 3/8-16 X 3-1/2 G5 ZC	1
24	YBCR12055	BOLT CARRIAGE, 3/8-16 X 3 G5 ZC	1
25	YBCR12020	BOLT CARRIAGE, 3/8-16 X 1-1/4 G5 ZC	1
26	YBCR16010	BOLT CARRIAGE, 1/2-13 X 1-1/2 G5 ZC	2
27	YBCR12015	BOLT CARRIAGE, 3/8-16 X 1-1/2 G5 ZC	5
28	DWM205	MALE QUICK COUPLER W/HYD TIP	2
29	YBFB16175	BOLT FLANGE, 1/2 X 1-3/4 G5	1
30	YWLO16005	WASHER, LOCK, 1/2	2
31	YWFL14005	WASHER, FLAT, 7/16 ZC	5
32	YNHX16005	NUT HEX, 1/2-13 ZC	2
33	YNFG16003	NUT FLANGE, 1/2 GF	1
34	YNHX12005	NUT HEX, 3/8-16 ZC	11







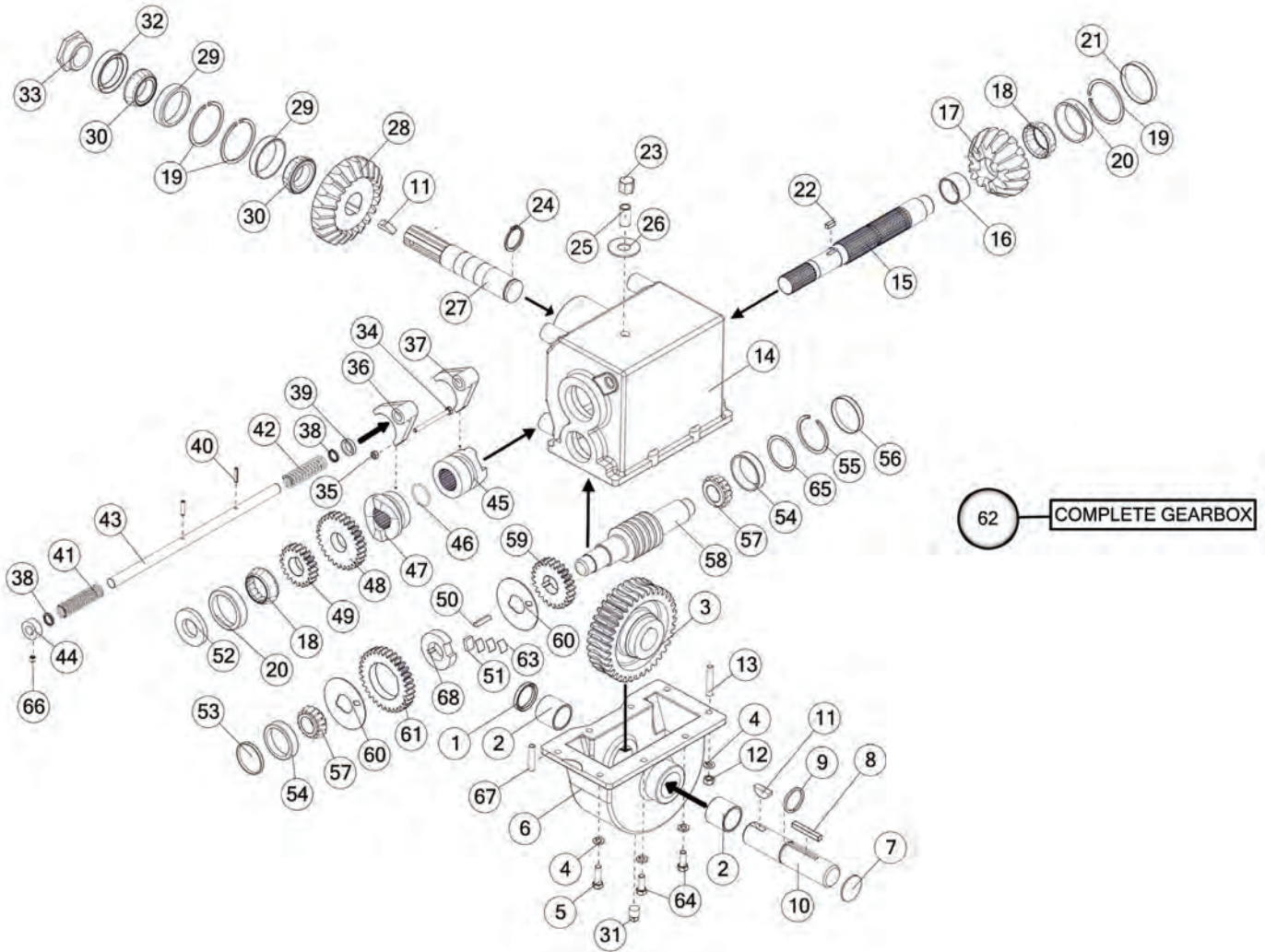




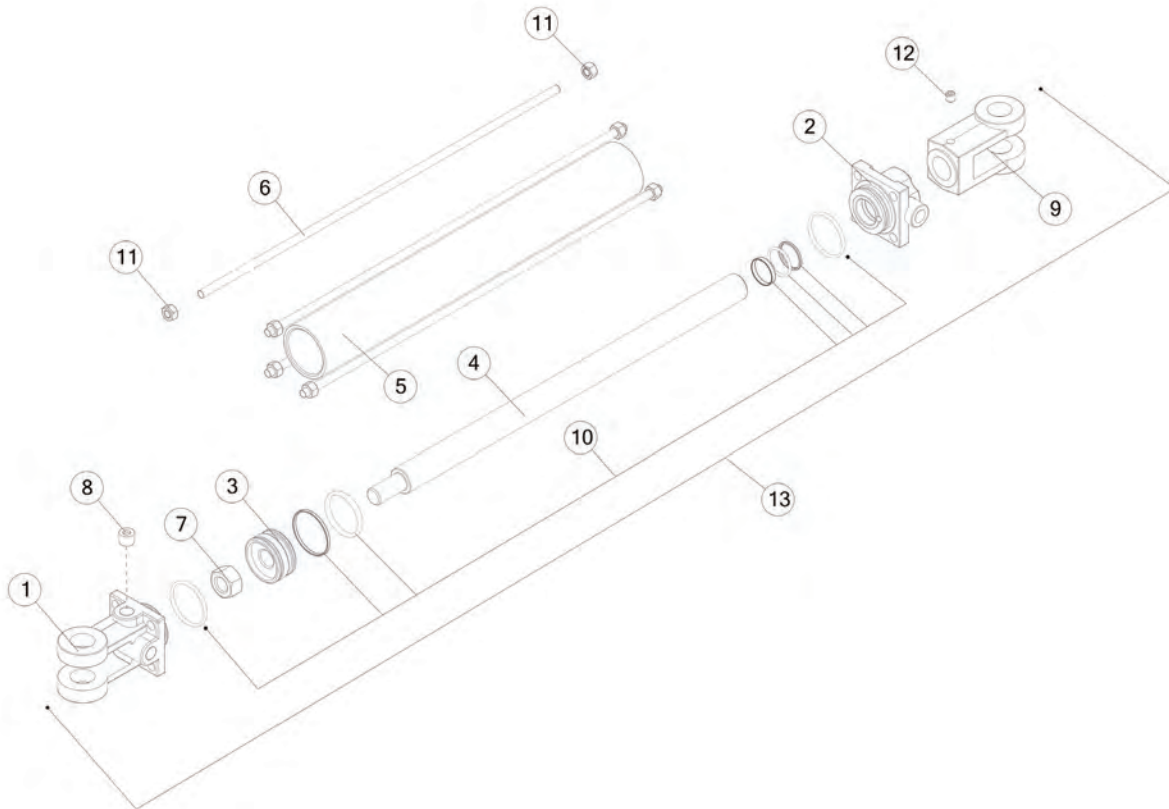


REF #	PART #	DESCRIPTION	QTY
1	17G133	SEAL	1
2	17G134	BUSHING	2
3	17G137	WORM GEAR 36T	1
4	YWLO12005	WASHER LOCK, 3/8	8
5	YBHH12035	BOLT HEX, 3/8 X 1-1/4 G5	2
6	17G107	LOWER GEARBOX HOUSING	1
7	17G139	CAP	1
8	17G132	SQUARE KEY	1
9	17G135	SNAP RING	1
10	17G136	OUTPUT SHAFT	1
11	5B9	WOODRUFF KEY	2
12	YNHX12005	HEX NUT, 3/8 G2	2
13	17G140	STUD	2
14	17G99	UPPER GEARBOX HOUSING	1
15	17G108A	INPUT SHAFT	1
16	17G111	BRONZE BUSHING	1
17	17G110	BEVEL GEAR, 16T	1
18	G18	TAPER BEARING	2
19	G55	INTERNAL SNAP RING	3
20	18VB25	RACE	2
21	G68	CAP	1
22	17G116	SQUARE KEY	1
23	17G58	VENT CAP	1
24	12V62	SNAP RING	1
25	23N288	PIPE NIPPLE	2
26	YWFL24005	WASHER FLAT, 3/4	1
27	17G104	BEATER OUTPUT SHAFT	1
28	17G101	GEAR BEVEL, 22T	1
29	17G102	RACE	2
30	17G103	TAPER BEARING	2
31	G65	PLUG PIPE, 3/8 NPT	2
32	17G105	SEAL	1
33	17G106	NUT HEX, 1-1/2	1
34	YBHH08090	BOLT HEX, FULL THREAD, 1/4 X 3 G2	1
35	YNHX08007	NUT HEX, 1/4 G5	1
36	17G125	HIGH SPEED SHIFTER YOKE	1
37	17G129	BEATER SHIFTER YOKE	1
38	17G121	SEAL	2
39	17G122	SPACER	1







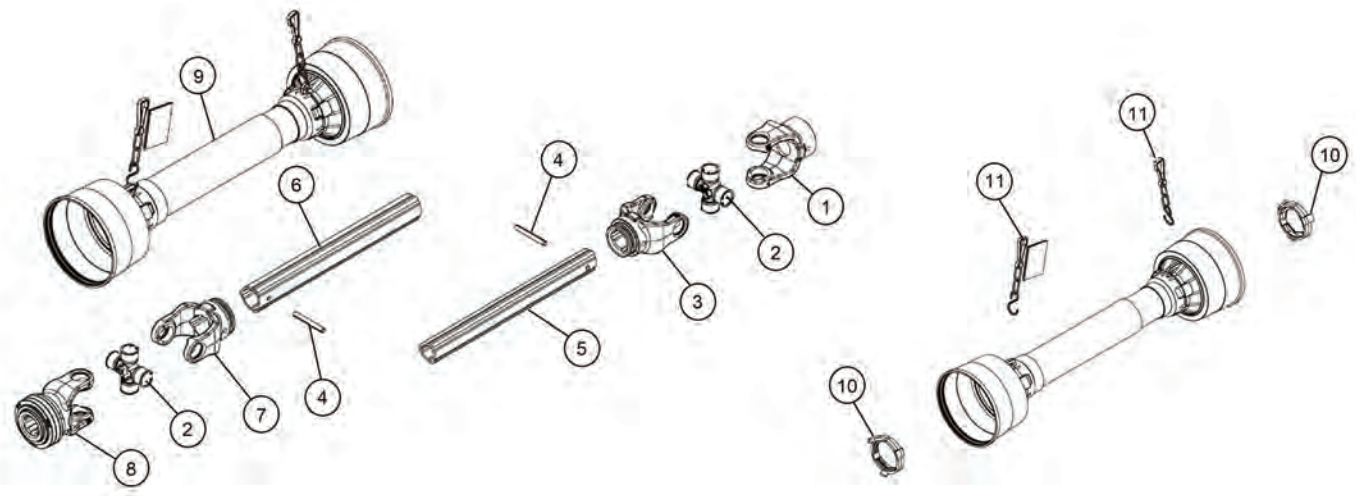


REF #	PART #	DESCRIPTION	QTY
1	23N142A	CLEVIS CAP FOR 2 IN CYLINDERS	1
2	56174	ROD CAP	1
3	56180	PISTON FOR 2 IN CYLINDER	1
4	23N145A	ROD	1
5	23N146	CYLINDER TUBE	1
6	23N147	SHAFT	4
7	23N148	PISTON NUT	1
8	23N149	PLUG	1
9	23N150A	ROD CLEVIS	1
10	56187	SEAL KIT FOR 2 IN CYLINDER	1
11	YNHX12006	NUT HEX, 3/8 G2	8
12	YSSO12015	SET SCREW, 3/8 X 3/8	1
13	56015	HYDRAULIC CYLINDER, 2 X 16	1



# FIGURE 18

PTO



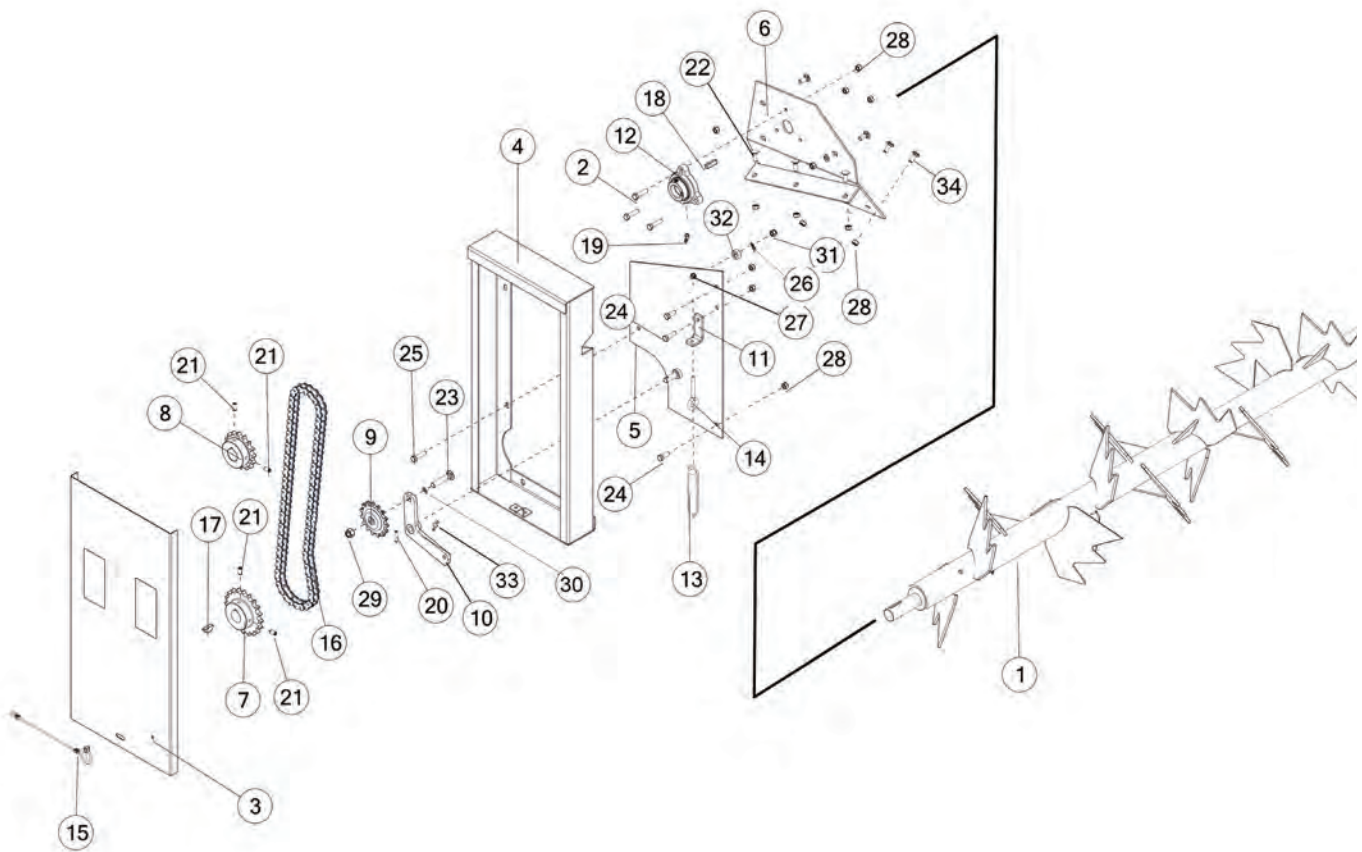
REF #	PART #	DESCRIPTION	QTY
1	84671	YOKE W/BORE	1
2	87700	JOINT, UNIVERSAL	2
3	87698	YOKE, INNER	1
4	YPEX10250	EXPANSION PIN, 5/16 X 2-1/2	2
5	87882	TUBE	1
6	87699	TUBE	1
7	87884	YOKE, OUTER	1
8	87701	YOKE, END	1
9	87696	SAFETY GUARD GROUP	1
10	89228	RETAINERS	2
11	89227	CHAIN	2
*	23N152Z	COMPLETE PTO ASSEMBLY	1





# FIGURE 19

MSOTB327  
TOP BEATER OPTION







# FIGURE 19

## MSOTB327

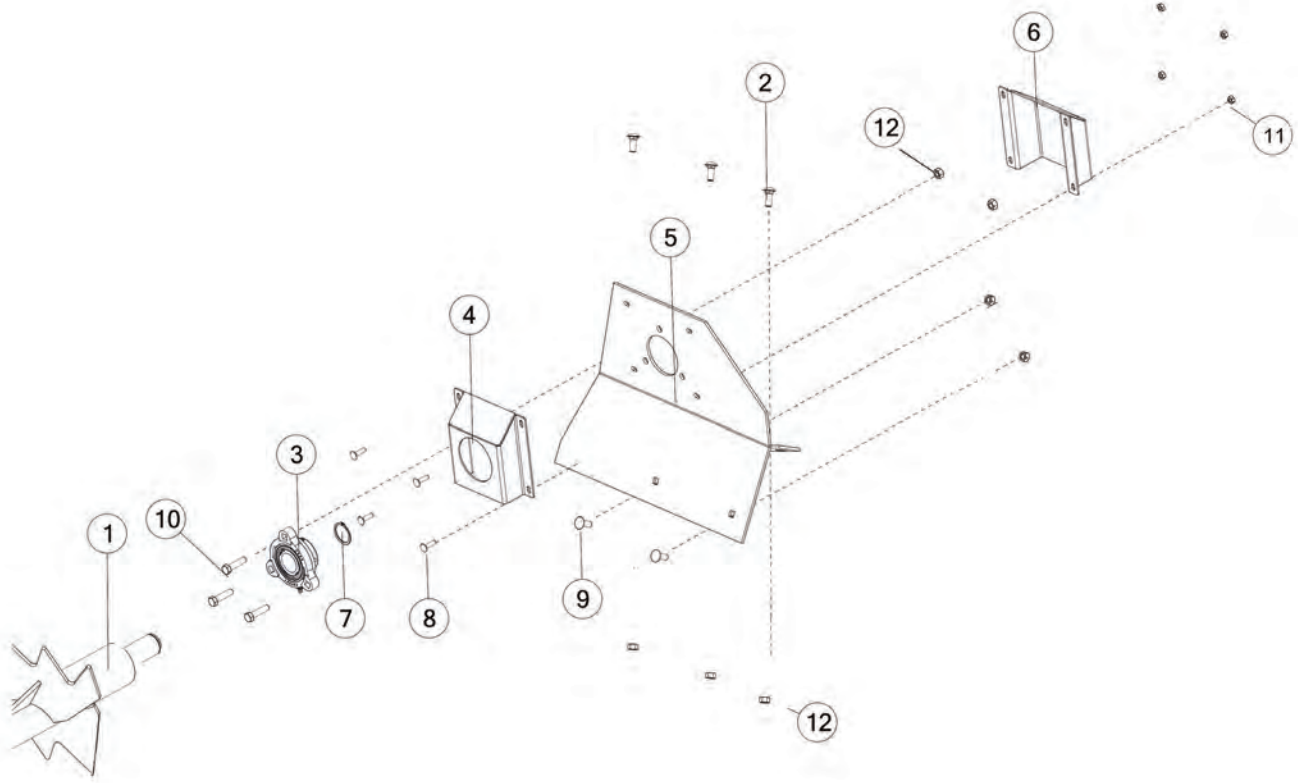
### TOP BEATER OPTION

REF #	PART #	DESCRIPTION	QTY
1	97944	SECOND BEATER	1
2	YBCR12015	BOLT CARRIAGE, 3/8-16 X 1-1/2 G5	3
3	80709B	BEATER SHIELD COVER W/DECAL	1
4	80759B	BEATER SHIELD W/DECALS	1
5	80751B	BACK SHIELD W/DECAL	1
6	80755	BEATER PANEL RH	1
7	80898	SPROCKET, 20T	1
8	D23	SPROCKET, 16T	1
9	12N42	IDLER SPROCKET, 15T	1
10	80728	SPRING TENSIONER ARM	1
11	80152	SPRING TENSIONER BRACKET	1
12	80725	BEATER BEARING	1
13	ST36	TENSION SPRING	1
14	YBTE10039	BOLT TURNED EYE, 5/16 X 4	1
15	S122	LANYARD CLIP PIN CABLE	1
16	37N49	ROLLER CHAIN, #60	1
17	5B9	WOODRUFF KEY, 3/8 X 1-1/4	1
18	A32	SQUARE KEY, .38 X .38 X 1.38	1
19	RG21	GREASE ZERK, 45 DEGREE	1
20	YPEX08010	EXPANSION PIN, 1/4 X 1-1/4	1
21	YSKP12035	SETSCREW, 3/8 X 3/4	4
22	YBCR12010	BOLT CARRIAGE, 3/8 X 1 G5	3
23	YBCR16025	BOLT CARRIAGE, 1/2 X 2-1/2 G2	1
24	YBFB12003	BOLT FLANGE, 3/8 X 1 G5	3
25	YBFB12150	BOLT FLANGE, 3/8 X 1-1/2 G5	4
26	YWFL12005	WASHER FLAT, 3/8	5
27	YNFG10005	NUT FLANGE, 5/16 GF	1
28	YNFG12006	NUT FLANGE, 3/8 GF	12
29	YNFG16003	NUT FLANGE, 1/2 GF	1
30	YWFL14005	WASHER FLAT, 7/16	4
31	YNNY12005	NUT HEX, 3/8 LKNY G2	1
32	S246	SPACER	1
33	G89	STRAIGHT ZERK, 1/4-28 X 90	1
34	YBCR12020	BOLT CARRIAGE, 3/8 X 1-1/4 G5	3





**FIGURE 19**  
MSOTB327  
TOP BEATER OPTION

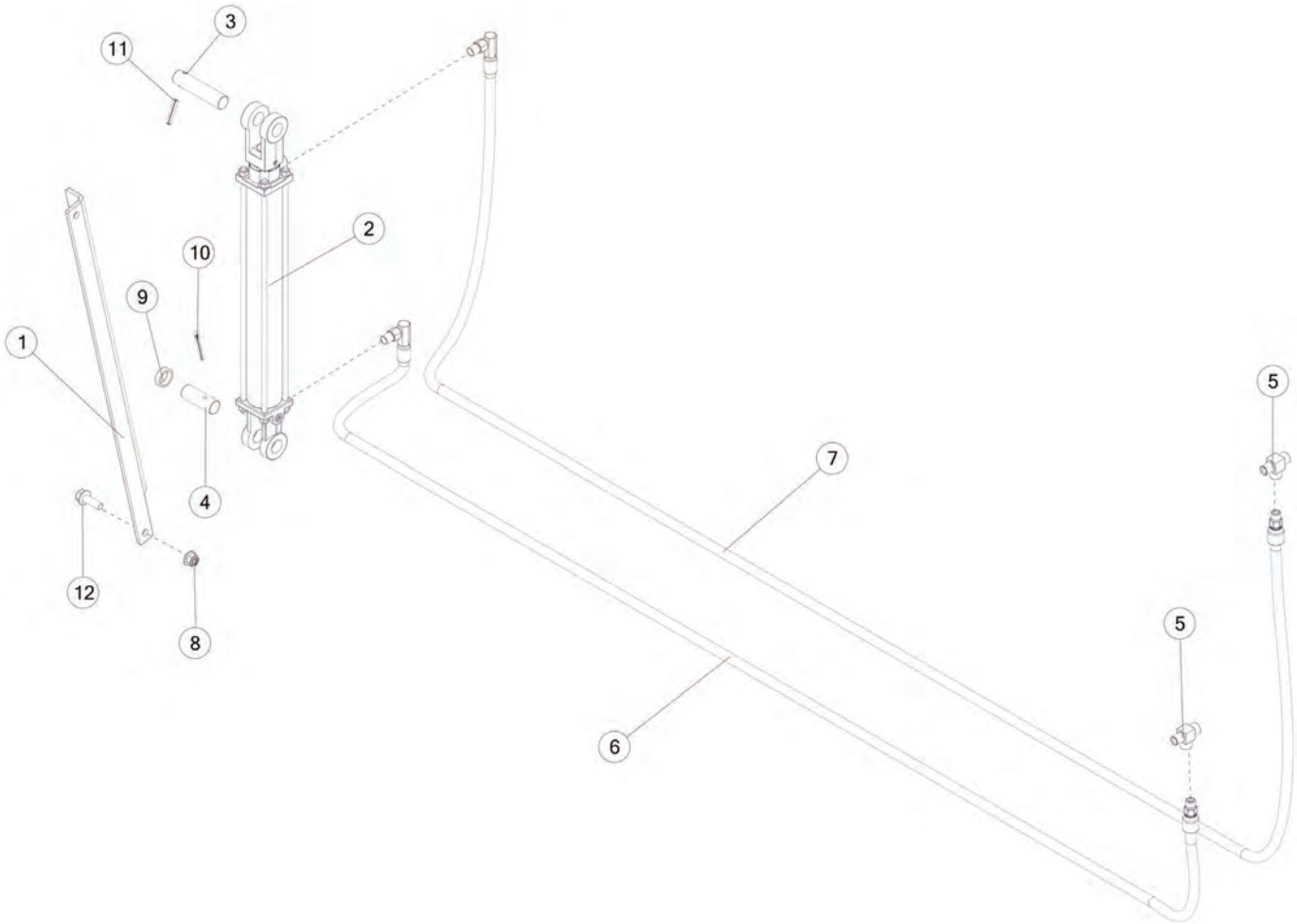






# FIGURE 20

MSO14B  
2ND CYLINDER OPTION

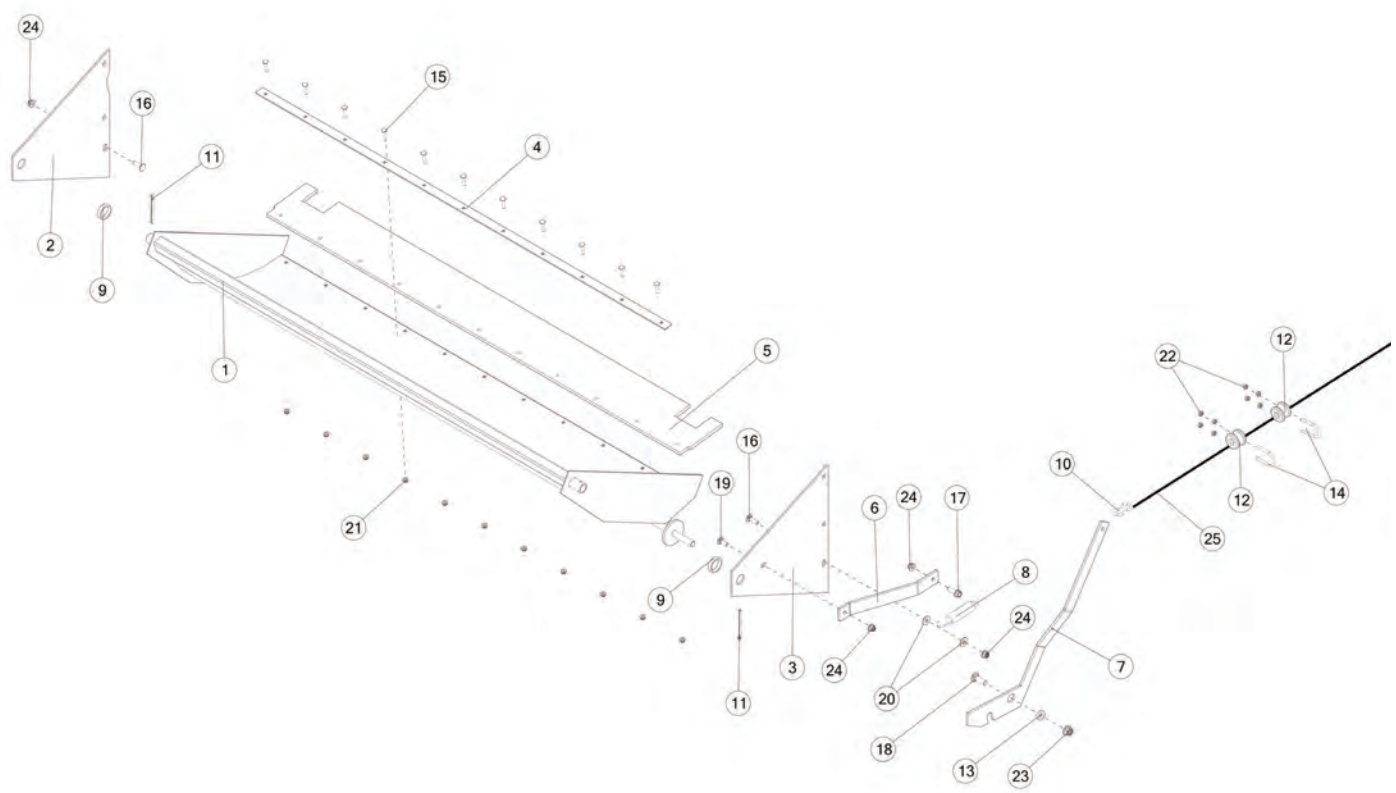






# FIGURE 21

MSOPAN235  
REAR PAN OPTION



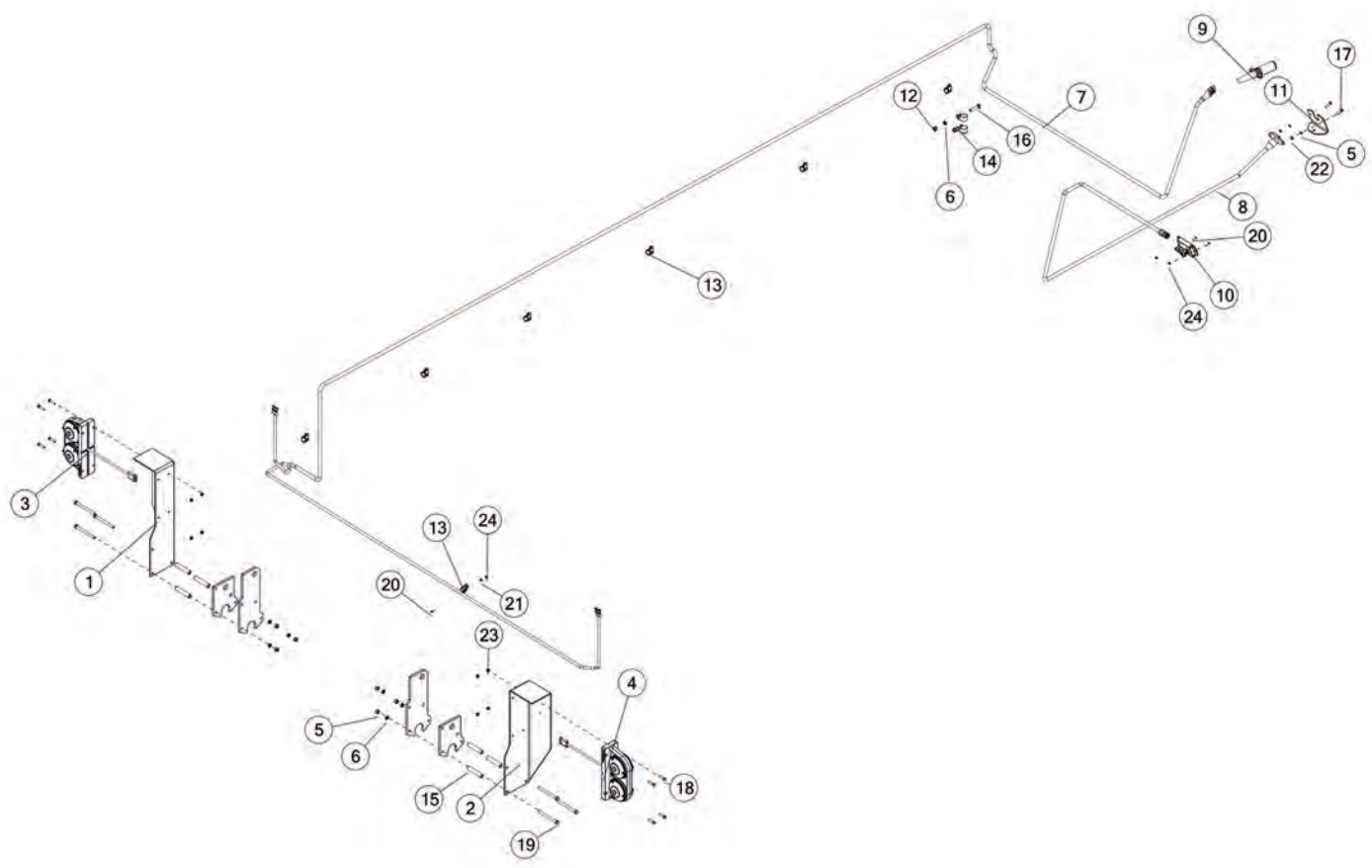




# FIGURE 22

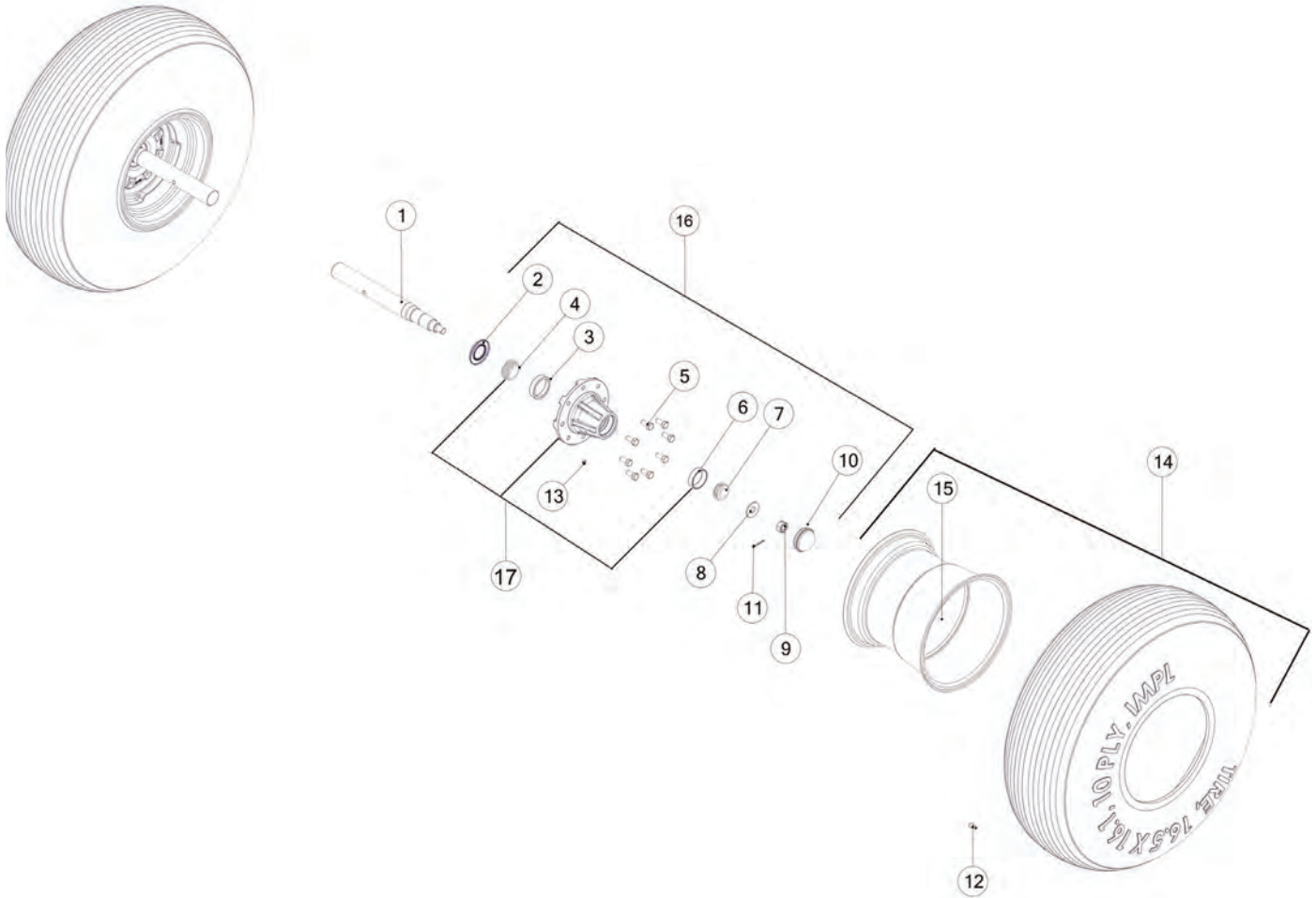
## MSOLIGHT

### HIGHWAY LIGHTING OPTION

















Manufactured By:

# H&S MANUFACTURING CO., INC.

2608 S. HUME AVE. MARSHFIELD, WI 54449  
(715) 387-3414 | hsmfgco.com

