

H&S

PARTS BOOK

3127

MANURE SPREADER



Revision #09

Starting Ser. #021MS27029

HSMFG0720

PART#72467

Manufactured by:

H&S MANUFACTURING CO., INC.

2608 S. HUME AVE. MARSHFIELD, WI 54449

(715) 387-3414 - FAX (715) 384-8736 - WWW.HSMFGCO.COM

CONTENTS

| | |
|---|--------|
| Instructions for Ordering Parts | 1 |
| Figure 1 - Beater and Pan Assembly. | 2-3 |
| Figure 2 - Hub,Spindle and Box Parts. | 4-5 |
| Figure 3 - Front Shield and Drive Assembly. | 6-9 |
| Figure 4 - Back Shield and Drive Assembly. | 10-13 |
| Figure 5 - Hydraulic Endgate Assembly | 14-15 |
| Figure 6 - Apron Chain Assembly. | 16 -17 |
| Figure 7 - Hydraulic Endgate Cylinder | 18-19 |
| Figure 8 - PTO. | 20-21 |
| Figure 9 - Optional Second Beater | 22-25 |
| Figure 10 - Gearbox | 26-29 |
| Figure 11 - 4 Hose Hydraulic Drive Assembly | 30-31 |
| Figure 12 - 2 Hose Hydraulic Drive Assembly. | 32-33 |
| Figure 13 - Hydraulic Drive Gear Box. | 34-35 |
| Figure 14 - Optional Electric Control for Hydraulic Drive | 36-37 |
| Figure 15 - Optional Light Kit. | 38-39 |
| Parts Notes | 40 |

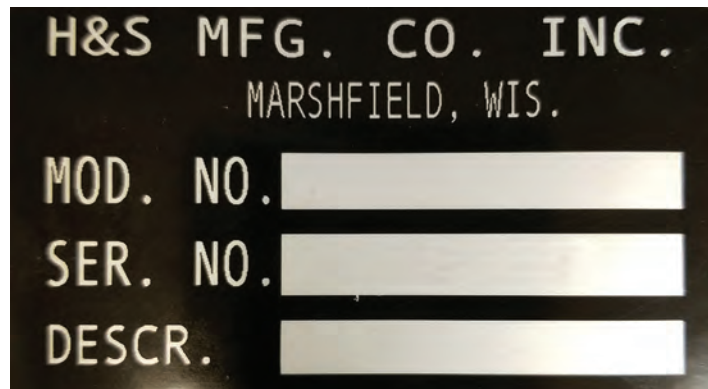
INSTRUCTIONS FOR ORDERING PARTS

All service parts should be ordered through your authorized H&S dealer. Your Dealership will be able to give you faster service if you will provide them with the following:

1. Model & Serial Number - Both can be located on the front PTO bearing support mount.
2. All references to left or right apply to the machine as viewed from the rear.
3. Parts should not be ordered from illustration only. Please order complete part number.
4. If your dealer has to order parts - give shipping instructions:

VIA truck - large pieces (please specify local truck lines)

VIA United Parcel Service (include full address)



PLEASE RECORD NUMBERS FOR YOUR UNIT FOR QUICK REFERENCE

ABOUT IMPROVEMENTS

H&S IS CONTINUALLY STRIVING TO IMPROVE IT'S PRODUCTS

We must therefore, reserve the right to make improvements or changes whenever it becomes practical to do so, without incurring any obligation to make changes or additions to the equipment previously sold.

FIGURE 1 BEATER/PAN ASSEMBLY

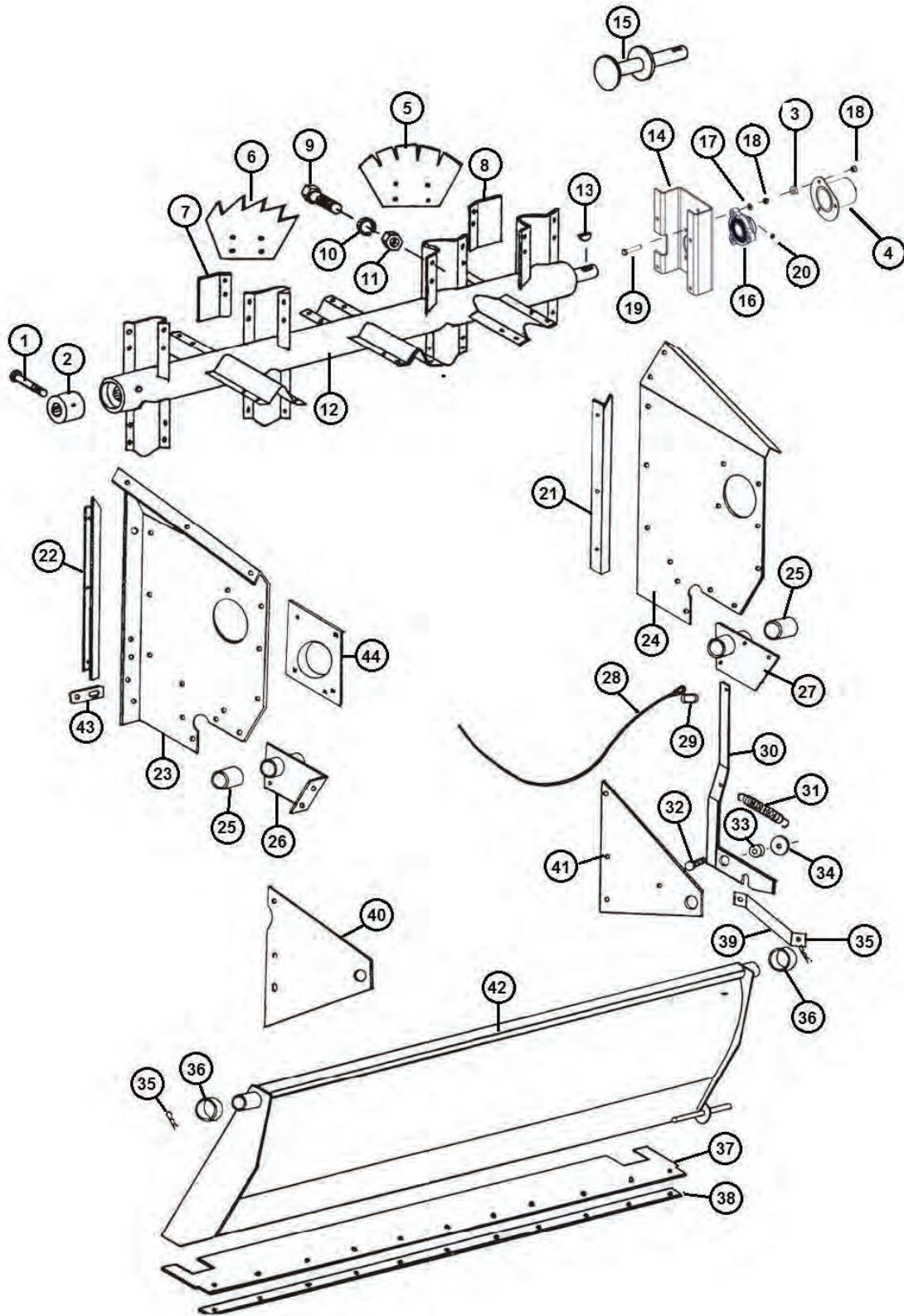


FIGURE 1

BEATER/PAN ASSEMBLY

| <u>ITEM</u> | <u>QTY</u> | <u>PART#</u> | <u>DESCRIPTION</u> |
|-------------|------------|--------------|--------------------------------|
| 1 | 1 | YBHH10130 | BOLT HEX, 5/16 X 5 G5 |
| 2 | 1 | 23N2 | SPLINED BEATER INSERT |
| 3 | 3 | 82944 | SPACER |
| 4 | 1 | 82910 | BEARING COVER |
| 5 | 6 | 23N276 | BEATER BLADE - HARDENED BEATER |
| 6 | 8 | 23N277 | BLADE - HARDENED BEATER BLADE |
| 7 | 1 | 23N7 | WIPER LH |
| 8 | 1 | 23N8 | BEATER BLADE WIPER RH |
| 9 | 56 | YBHH16045 | BOLT HEX, 1/2 X 1-1/4 G5 |
| 10 | 56 | YWLO16005 | WASHER LOCK, 1/2 |
| 11 | 56 | YNTL16005 | NUT HEX, TOP LOCK, 1/2 |
| 12 | 1 | 81158 | BEATER |
| 13 | 1 | 5B9 | WOODRUFF KEY, 3/8 X 1-1/4 |
| 14 | 1 | 80794 | SHAFT SUPPORT |
| 15 | 1 | 80791 | BEATER STUB SHAFT |
| 16 | 1 | 80725 | BEATER BEARING |
| 17 | 3 | YWLO12005 | WASHER LOCK, 3/8 |
| 18 | 6 | YNHX12004 | HEX NUT, 3/8 G2 |
| 19 | 3 | YBHH12075 | BOLT, 3/8 X 2 G5 |
| 20 | 1 | RG21 | GREASE ZERK, 45 |
| 21 | 1 | 23N13 | SIDE POLY HOLD DOWN RH |
| 22 | 1 | 23N14 | SIDE POLY HOLD DOWN LH |
| 23 | 1 | 23N264 | MAIN SIDE PANEL LH |
| 24 | 1 | 23N265 | MAIN SIDE PANEL RH |
| 25 | 2 | 23N17 | DRIVE SHAFT BUSHING |
| 26 | 1 | 23N257 | DRIVE SHAFT BRACKET LH |
| 27 | 1 | 23N19 | DRIVE SHAFT BRACKET RH |
| 28 | 1 | 27N1 | PAN TRIP ROPE |
| 29 | 1 | R31 | CLIP |
| 30 | 1 | 23N21 | PAN TRIP LEVER |
| 31 | 1 | R27 | SPRING |
| 32 | 1 | YBCR16010 | BOLT CARRIAGE, 1/2 X 1-1/2 G5 |
| 33 | 1 | 23N23 | TRIP LEVER SPACER |
| 34 | 1 | YWFL16005 | WASHER FLAT, 1/2 |
| 35 | 2 | YPCT06020 | COTTER PIN, 3/16 X 2 |
| 36 | 2 | F112 | SPACER |
| 37 | 1 | 23N24 | PAN RUBBER FLAP |
| 38 | 1 | 23N25 | PAN STRAP |
| 39 | 1 | 84635 | PAN SUPPORT BRACE |
| 40 | 1 | 23N268 | PAN SUPPORT LH |
| 41 | 1 | 23N29 | PAN SUPPORT RH |
| 42 | 1 | 23N30 | PAN |
| 43 | 1 | 23N64 | SHIELD BRACKET |
| 44 | 1 | 17G10 | ANTI-WRAP GUARD LH |

FIGURE 2 SPINDLE/HUB/BOX PARTS

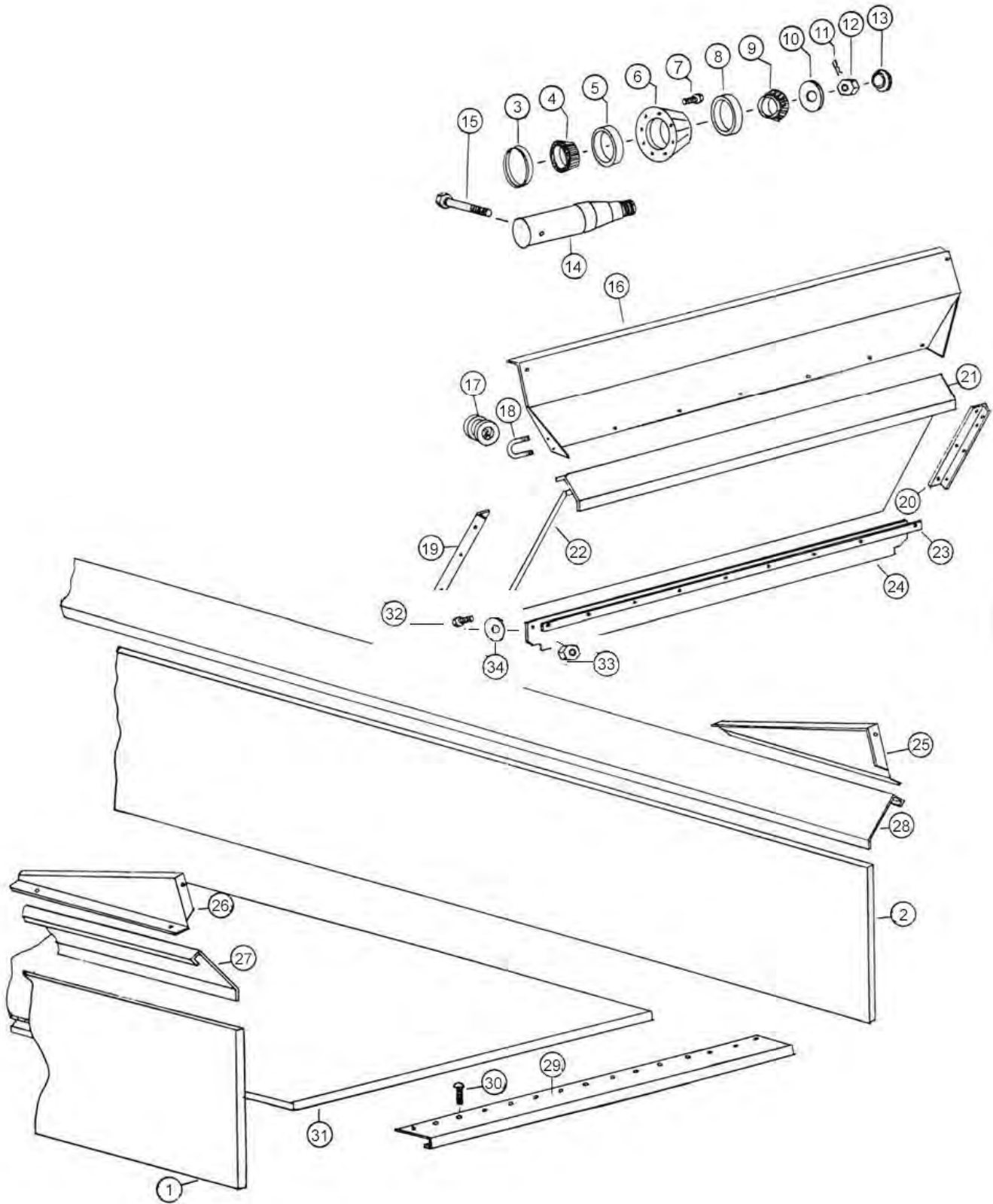


FIGURE 2

SPINDLE/HUB/BOX PARTS

| <u>ITEM</u> | <u>QTY</u> | <u>PART#</u> | <u>DESCRIPTION</u> |
|-------------|------------|--------------|---|
| 1 | 1 | 27N37A | SIDE PLYWOOD WITH FIBERGLASS RH |
| 2 | 1 | 27N38A | SIDE PLYWOOD WITH FIBERGLASS LH |
| 3 | 2 | B90 | SEAL |
| 4 | 2 | B91 | INNER BEARING |
| 5 | 2 | B91A | INNER RACE |
| 6 | 2 | 53403 | HUB W/RACE |
| * | 2 | 26G4A | HUB COMPLETE |
| * | 16 | YBSD20010 | BOLT STUD, 9/16" |
| 7 | 16 | YNWL20005 | NUT WHEEL, 5/8" |
| 8 | 2 | B94A | OUTER RACE |
| 9 | 2 | B94 | OUTER BEARING |
| 10 | 2 | YWFL28005 | WASHER FLAT, 7/8 |
| 11 | 2 | YPCT05020 | COTTER PIN, 5/32 X 1-3/4 |
| 12 | 2 | YNSL28005 | NUT HEX, SLOTTED, 7/8 |
| 13 | 2 | B2 | HUB CAP |
| 14 | 2 | 27N2 | SPINDLE |
| * | 2 | 27N46 | SPINDLE FOR 14 X 16.1 WHEEL |
| 15 | 2 | YBHH16130 | BOLT HEX, 1/2 X 4 G5 |
| 16 | 1 | 23N34 | FRONT FLARE |
| 17 | 1 | F33 | ROPE GUIDE |
| 18 | 1 | YBPU08005 | PIPE U BOLT, 1/4 |
| 19 | 1 | 23N35 | GATE ANGLE RH |
| 20 | 1 | 23N36 | GATE ANGLE LH |
| 21 | 1 | 23N176 | FRONT FLARE SUPPORT |
| 22 | 1 | 23N270A | FRONT GATE PLYWOOD WITH FIBERGLASS |
| 23 | 1 | 23N40 | STRAP FOR RUBBER |
| 24 | 1 | 23N41 | FRONT GATE RUBBER |
| 25 | 1 | 23N42 | SPLASH GUARD SIDE LH |
| 26 | 1 | 23N43 | SPLASH GUARD SIDE RH |
| 27 | 1 | 27N24 | SIDE FLARE RH |
| 28 | 1 | 27N25 | SIDE FLARE LH |
| 29 | 1 | 23N46 | FRONT POLY FLOOR HOLD DOWN |
| 30 | 15 | YSFM10010 | BOLTS FOR POLY FLOOR |
| 31 | 1 | 27N36 | FLOOR PLYWOOD WITH POLY |
| * | 2 | 23N179A | WHEEL 8 X 22.5 |
| * | 2 | 12V36 | WHEEL 14 X 16.1 |
| * | 2 | UR19 | TIRE, 295/75R22.5, RECAP, HIGHWAY TREAD |
| * | 2 | 32352 | TIRE WHEEL COMPLETE 295-75R X22.5 |
| 34 | 13 | YBCR12015 | BOLT CARRIAGE, 3/8-16 X 1-12 G5 |
| 35 | 13 | YNHX12005 | NUT HEX, 3/8 G2 |
| 36 | 13 | YWFL16005 | WASHER FLAT, 1/2 |

***MEANS NOT SHOWN**

FIGURE 3 FRONT SHIELDS/DRIVE ASSEMBLY

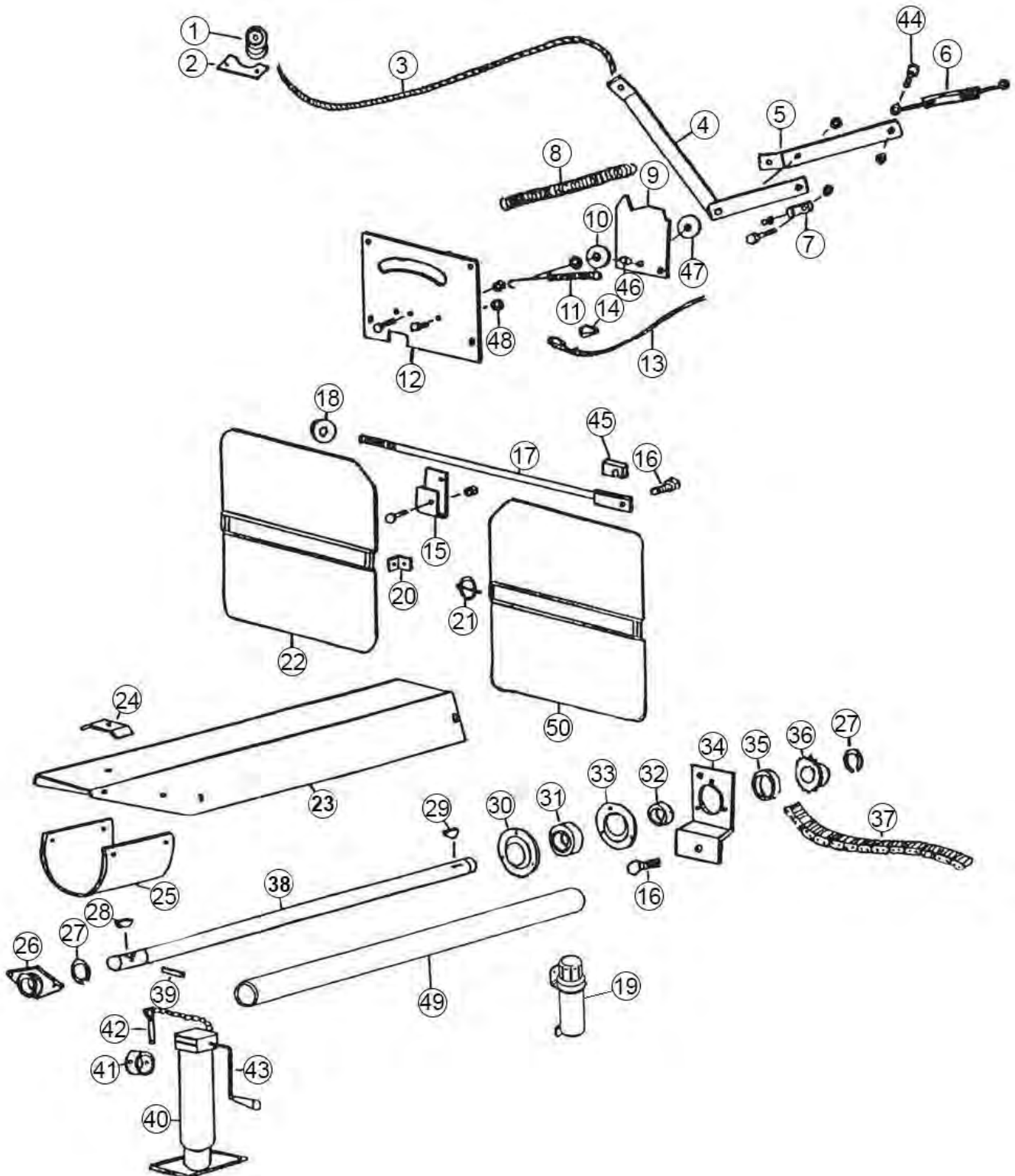


FIGURE 3
FRONT SHIELDS/DRIVE ASSEMBLY

| <u>ITEM</u> | <u>QTY</u> | <u>PART#</u> | <u>DESCRIPTION</u> |
|-------------|------------|--------------|--------------------------|
| 1 | 1 | F33 | CABLE GUIDE |
| 2 | 1 | 23N182 | BRACKET |
| 3 | 1 | 23N183 | ROPE (15) |
| 4 | 1 | 23N280 | SHIFTER LEVER |
| 5 | 1 | 23N281 | PIVOT LINK |
| 6 | 1 | F84 | TURNBUCKLE |
| 7 | 1 | 23N282 | SHIFTER DOG |
| 8 | 1 | 10R14 | SPRING |
| 9 | 1 | 23N283 | STOP BRACKET |
| 10 | 1 | YWCU12005 | WASHER, CUSTOM, FLAT |
| 11 | 1 | 23N284 | SHIFTER DOG SPRING |
| 12 | 1 | 23N285 | FRONT PANEL |
| 13 | 1 | 27N40 | CABLE |
| 14 | 1 | ES14 | CABLE LOOP |
| 15 | 1 | 23N287 | SPRING BRACKET |
| 16 | 1 | YBHH16045 | BOLT HEX, 1/2 X 1-1/4 G5 |
| 17 | 1 | 23N63 | TIGHTENER ROD |
| 18 | 1 | F129 | WASHER |
| 19 | 1 | S522 | MAUNAL HOLDER |
| 20 | 1 | F92 | SHIELD BRACKET |
| 21 | 2 | S122 | LINCH PIN W/LANYARD |
| 22 | 1 | 23N305 | FRONT SHIELD RH |
| 23 | 1 | 23N66 | SHIELD |
| 24 | 1 | 23N67 | HOSE BRACKET |
| * | 1 | HE42 | HYDRAULIC DRIVE BRACKET |
| 25 | 1 | F54 | PTO RUBBER SHIELD |

***MEANS NOT SHOWN**

FIGURE 3 FRONT SHIELDS/DRIVE ASSEMBLY

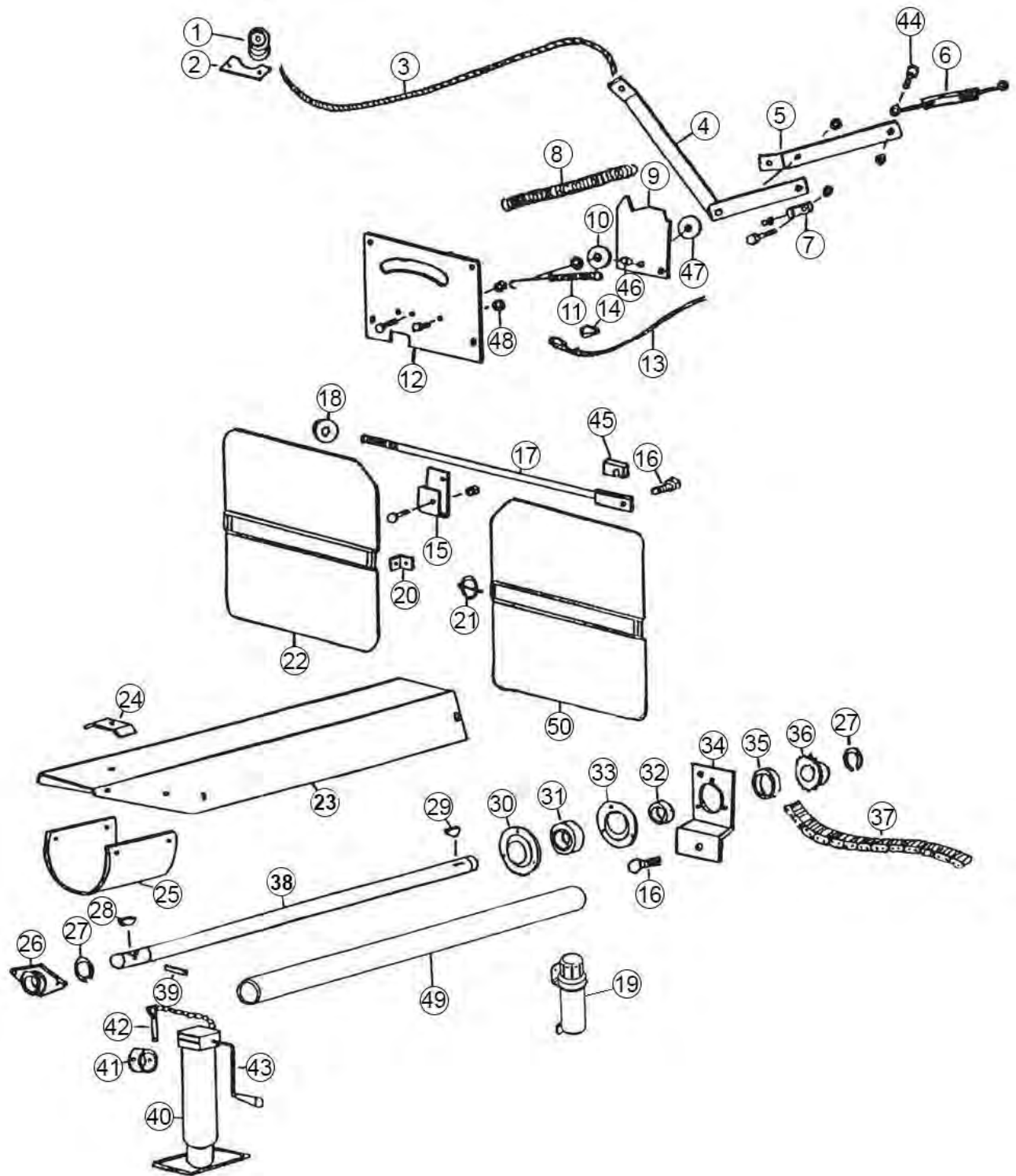


FIGURE 3

FRONT SHIELDS/DRIVE ASSEMBLY

| <u>ITEM</u> | <u>QTY</u> | <u>PART#</u> | <u>DESCRIPTION</u> |
|-------------|------------|--------------|------------------------------|
| 26 | 2 | 12N29 | BEARING |
| 27 | 2 | F73 | SNAP RING |
| 28 | 1 | 5B10 | KEY, 1/4 X 1 |
| 29 | 1 | 5B9 | WOODRUFF KEY, 3/8 X 1-1/4 |
| 30 | 1 | F114 | FLANGE 1-1/4 W/STRAIGHT ZERK |
| 31 | 1 | 12N122 | BEARING W/ LOCK COLLAR 1-1/4 |
| 32 | 1 | 12N122 | BEARING W/ LOCK COLLAR 1-1/4 |
| 33 | 1 | F14 | BEARING FLANGE |
| 34 | 1 | 23N68 | ADJUSTMENT PLATE FRONT |
| 35 | 1 | 23N69 | SPACER |
| 36 | 1 | 23N70 | SPROCKET (25T) |
| 37 | 1 | 23N245 | ROLLER CHAIN (#60, 125P) |
| 38 | 1 | 23N72 | FRONT SHAFT |
| 39 | 1 | YPEX10020 | EXPANSION PIN, 5/16 X 2-1/4 |
| 40 | 1 | 27N49 | JACK |
| * | 1 | 12N120 | JACK GEAR REP. KIT |
| 41 | 1 | 27N51 | JACK MOUNT |
| 42 | 1 | 27N50 | JACK PIN |
| 43 | 1 | 12N119 | HANDLE |
| 44 | 1 | YBCR12010 | BOLT CARRIAGE, 3/8 X 1 G5 |
| 45 | 1 | 23N278 | TIGHTENER SPACER |
| 46 | 1 | 23N297 | TUBE |
| 47 | 1 | YWCU12005 | WASHER, FLAT |
| 48 | 1 | ST81 | SPACER EXTENSION |
| 49 | 1 | 37N74 | FRONT SHAFT GUARD |
| 50 | 1 | 23N306 | FRONT SHIELD LH |

*MEANS NOT SHOWN

FIGURE 4 BACK SHIELDS/DRIVE ASSEMBLY

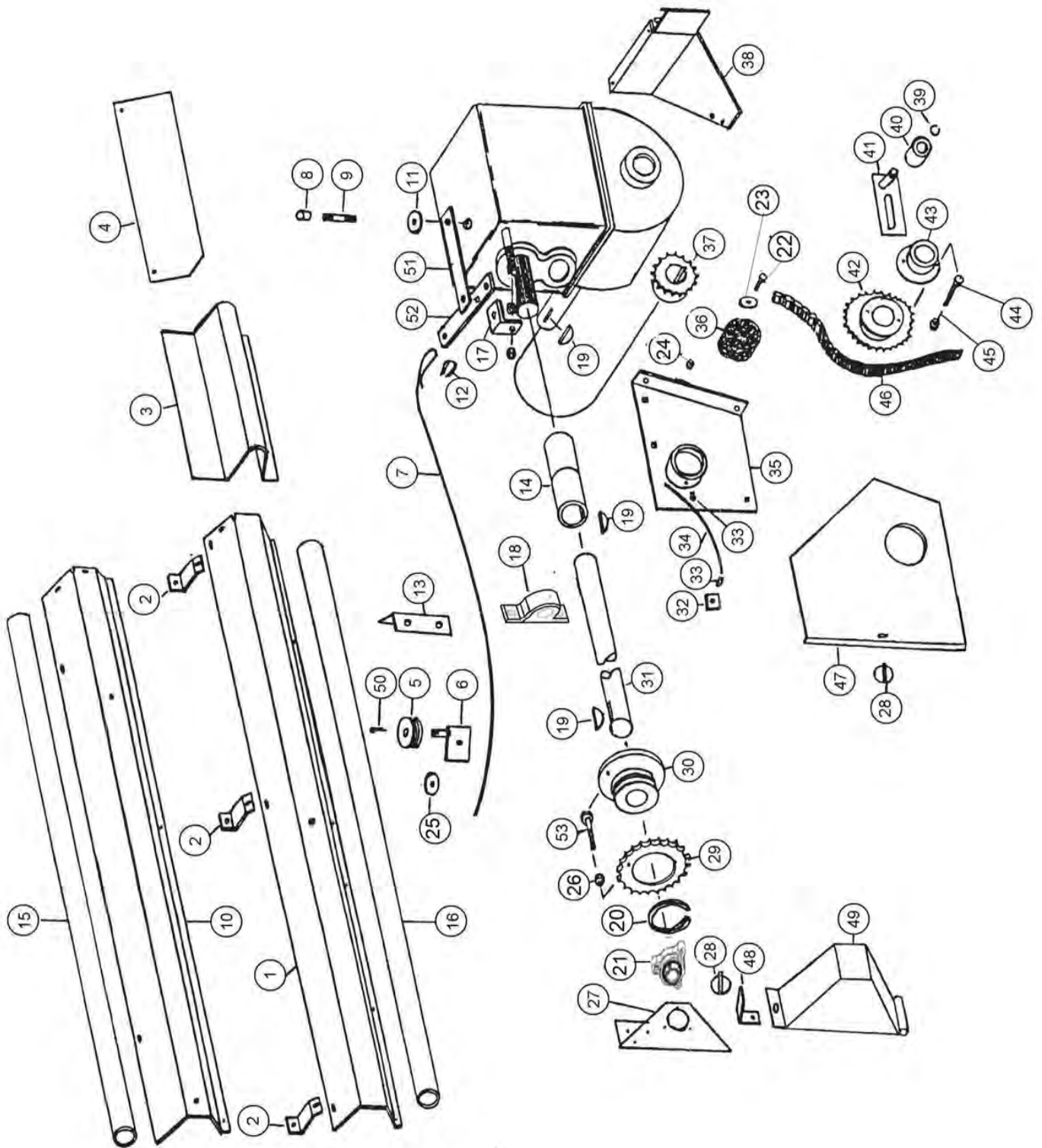


FIGURE 4

BACK SHIELDS/DRIVE ASSEMBLY

| <u>ITEM</u> | <u>QTY</u> | <u>PART#</u> | <u>DESCRIPTION</u> |
|-------------|------------|--------------|---------------------------------|
| 1 | 1 | 27N39 | SIDE SHIELD |
| 2 | 3 | 23N248 | SIDE SHIELD BRACKET COUPLER |
| 3 | 1 | 23N292 | SHIELD |
| 4 | 1 | 23N250 | POLY SHIELD |
| 5 | 1 | 23N251 | POLY PULLEY |
| 6 | 1 | 23N252 | PULLEY MOUNT |
| 7 | 1 | 27N40 | CABLE |
| 8 | 1 | 17G58 | VENT CAP |
| 9 | 1 | 23N288 | PIPE NIPPLE |
| 10 | 1 | 27N34 | BACK SIDE SHIELD |
| 11 | 1 | 17G61 | WASHER |
| 12 | 1 | ES14 | CABLE LOOP |
| 13 | 1 | 23N269 | BEARING BRACKET |
| 14 | 1 | 17G65 | COUPLER |
| 15 | 1 | 27N42 | 2ND SIDE SHAFT GUARD |
| 16 | 1 | 27N41 | 1ST SIDE SHAFT GUARD |
| 17 | 1 | 23N291 | SHIFTER ROD ANGLE |
| 18 | 1 | 12N36 | COMPLETE BEARING WOODRUFF |
| 19 | 1 | 5B9 | KEY, 3/8 X 1-1/4 |
| 20 | 1 | 23N189 | SNAP RING |
| 21 | 1 | 80662 | BEARING, 1-1/4 |
| 22 | 1 | YBCR08050 | BOLT CARRIAGE, 1/4-20 X 3 G5 ZC |
| 23 | 2 | YWFL10005 | WASHER, FLAT, 5/16 |
| 24 | 2 | YNHX08005 | NUT HEX, 1/4 G5 |
| 25 | 2 | YWFL12005 | WASHER, FLAT, 3/8 |
| 26 | 1 | YNTL10005 | NUT HEX, TOP LOCK, 5/16 |

FIGURE 4 BACK SHIELDS/DRIVE ASSEMBLY

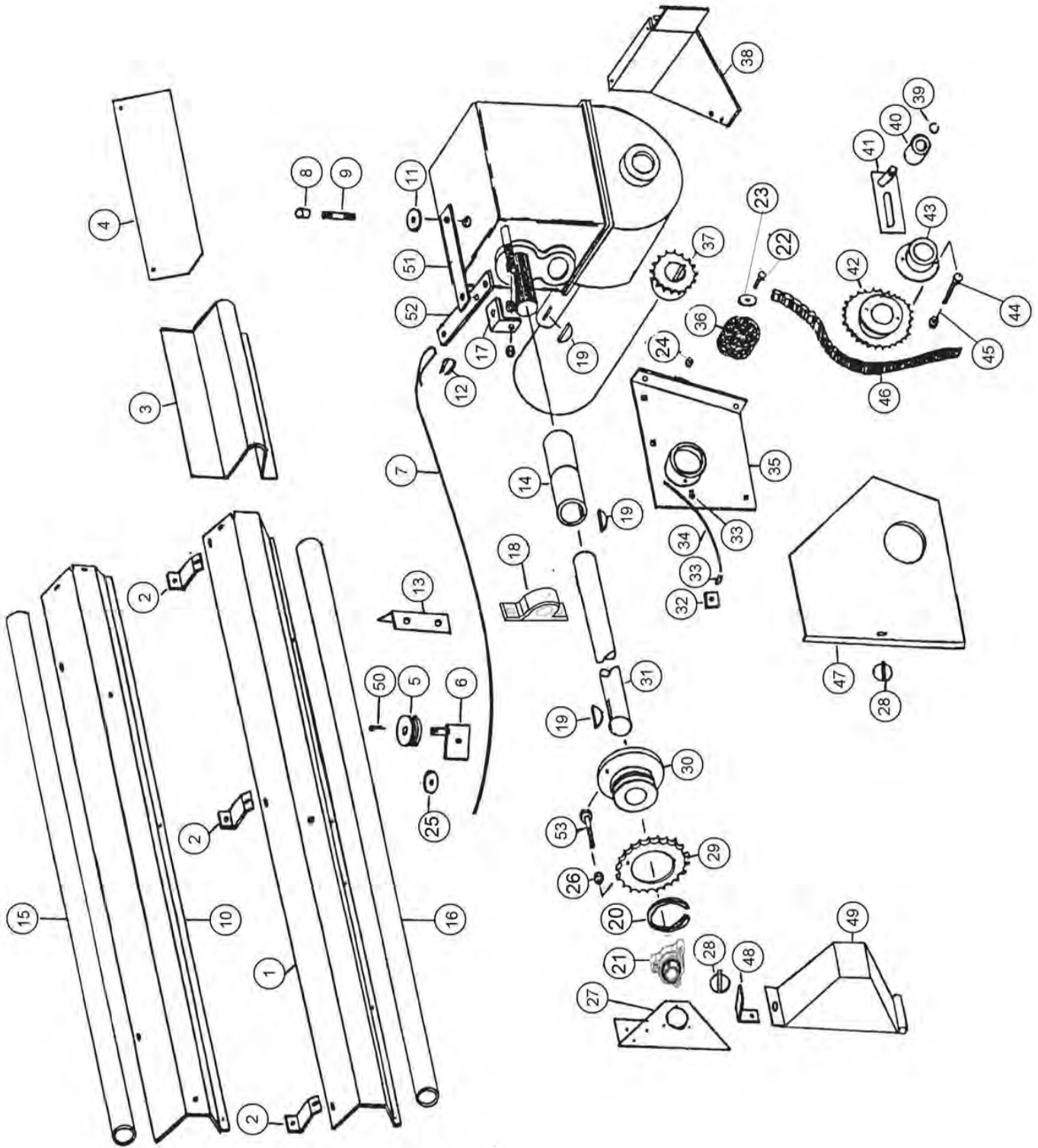


FIGURE 4

BACK SHIELDS/DRIVE ASSEMBLY

| <u>ITEM</u> | <u>QTY</u> | <u>PART#</u> | <u>DESCRIPTION</u> |
|-------------|------------|--------------|-----------------------------------|
| 27 | 1 | 23N254 | SIDE BEARING PANEL |
| 28 | 1 | S122 | LYNCH PIN W/LANYARD |
| 29 | 1 | 23N191 | SIDE SHAFT |
| 30 | 1 | 23N190 | SHEAR HUB |
| 31 | 1 | 27N33 | SIDE SHAFT |
| 32 | 1 | 16V9 | GREASE ZERK BLOCK |
| 33 | 2 | S47 | GREASE LINE FITTING |
| 34 | 1 | 23N256 | GREASE LINE |
| 35 | 1 | 23N257 | DRIVE SHAFT MOUNT LH |
| 36 | 1 | 23N258 | CHAIN OILER |
| 37 | 1 | 17G67 | WORM GEAR SPROCKET |
| 38 | 1 | 23N259 | GEARBOX BRACE |
| 39 | 1 | 10R32 | SNAP RING |
| 40 | 1 | 23N238 | ROLLER CHAIN TIGHTENER |
| 41 | 1 | 17G69 | CHAIN TIGHTENER BRACKET |
| 42 | 1 | 17G68 | SHEAR HUB SPROCKET-STANDARD (32T) |
| 43 | 1 | 17G71 | SHEAR HUB |
| 44 | 1 | YBHH10030 | BOLT HEX, 5/16 X 1-1/2 G5 |
| 45 | 1 | YNFG10005 | NUT FLANGE, 5/16 GF |
| 46 | 1 | 23N260 | ROLLER CHAIN (#60, 55P) |
| 47 | 1 | 23N261 | DRIVE SHIELD |
| 48 | 1 | 23N242 | SHIELD ANGLE |
| 49 | 1 | 22G21 | SHIELD |
| 50 | 1 | YPCT05005 | COTTER PIN, 5/32 X 1 |
| 51 | 1 | 23N289 | SHIFTER ROD LEVER FULCRUM |
| 52 | 1 | 23N290 | SHIFTER ROD LEVER |
| 53 | 1 | YBHH10030 | BOLT HEX, 5/16 X 1-1/2 G5 |
| * | 1 | 17G170 | SLOW DOWN SPROCKET (40T) |
| * | 1 | 23N279 | SPEED UP SPROCKET (25T) |

***MEANS NOT SHOWN**

FIGURE 5 HYDRAULIC ENDGATE ASSEMBLY

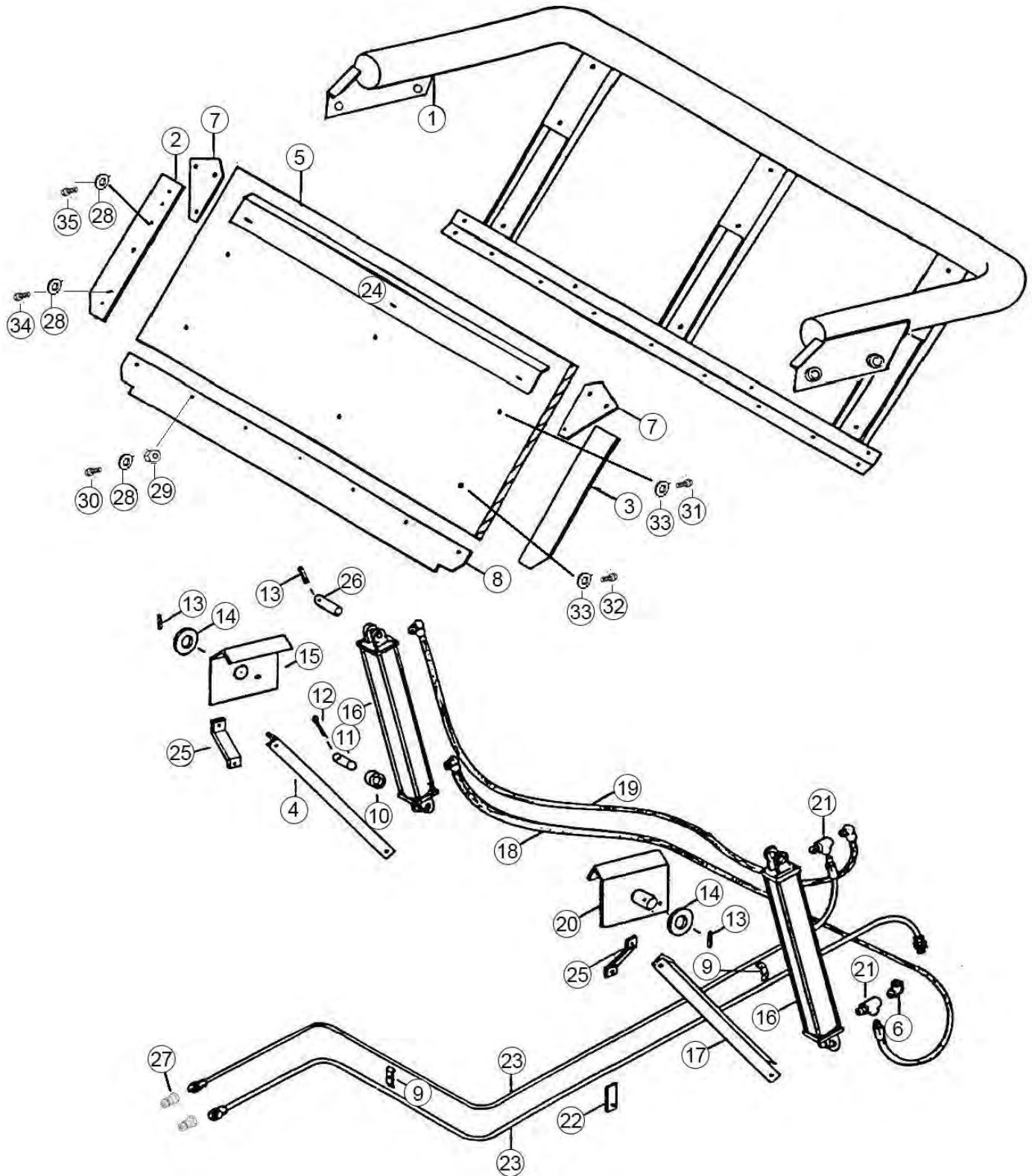


FIGURE 5

HYDRAULIC ENDGATE ASSEMBLY

| <u>ITEM</u> | <u>QTY</u> | <u>PART#</u> | <u>DESCRIPTION</u> |
|-------------|------------|--------------|---------------------------------------|
| 1 | 1 | 23N298 | TAILGATE FRAME |
| 2 | 1 | 23N99 | SIDE RUBBER RH |
| 3 | 1 | 23N100 | SIDE RUBBER LH |
| 4 | 1 | 23N233 | TAILGATE BRACKET BRACE |
| 5 | 1 | 23N274A | TAILGATE PLYWOOD WITH FIBERGLASS |
| 6 | 1 | 23N234 | STREET ELBOW |
| 7 | 1 | 23N104 | TAILGATE CORNER |
| 8 | 2 | 23N105 | BOTTOM RUBBER |
| 9 | 2 | 23N67 | HOSE BRACKET |
| 10 | 1 | K132 | SPACER |
| 11 | 1 | 23N107 | CYLINDER PIN |
| 12 | 1 | YPCT07005 | COTTER PIN, 7/32 X 2 |
| 13 | 2 | YPEX10015 | EXPANSION PIN, 5/16 X 1-3/4 |
| 14 | 2 | 23N109 | WASHER |
| 15 | 1 | 23N299 | TAILGATE MOUNT RH |
| 16 | 1 | 56015 | HYDRAULIC CYLINDER, 2 X 16 |
| 17 | 1 | 23N231 | BRACE |
| 18 | 1 | 23N113 | HYD HOSE (96IN) |
| 19 | 1 | 23N114 | HYD HOSE (138IN) |
| 20 | 1 | 23N300 | TAILGATE MOUNT LH |
| 21 | 2 | 23N116 | TEE |
| 22 | 1 | 23N117 | HOSE HOLDER |
| 23 | 2 | 27N47 | HYD HOSE (298IN) |
| 24 | 1 | 23N163 | TAILGATE POLY HOLD DOWN |
| 25 | 2 | 23N232 | TAILGATE BRACKET BRACE |
| 26 | 1 | 23N301 | CYLINDER PIN |
| 27 | 2 | DWM205 | MALE QUICK COUPLER |
| 28 | 19 | YWFL16005 | WASHER FLAT, 1/2 |
| 29 | 32 | YNHX12005 | NUT HEX, 3/8 G2 |
| 30 | 7 | YBCR12010 | BOLT CARRIAGE, 3/8 X 1 G5 |
| 31 | 3 | YBCR12055 | BOLT CARRIAGE, 3/8 X 3 G5 |
| 32 | 2 | YBCR12040 | BOLT CARRIAGE, 3/8-16 X 2-1/2, G5, ZC |
| 33 | 10 | YWFL14005 | WASHER FLAT, 7/16 |
| 34 | 2 | YBCR12035 | BOLT CARRIAGE, 3/8 X 2 G5 |
| 35 | 14 | YBCR12015 | BOLT CARRIAGE, 3/8-16 X 1-1/2 G5 |

FIGURE 6 APRON CHAIN ASSEMBLY

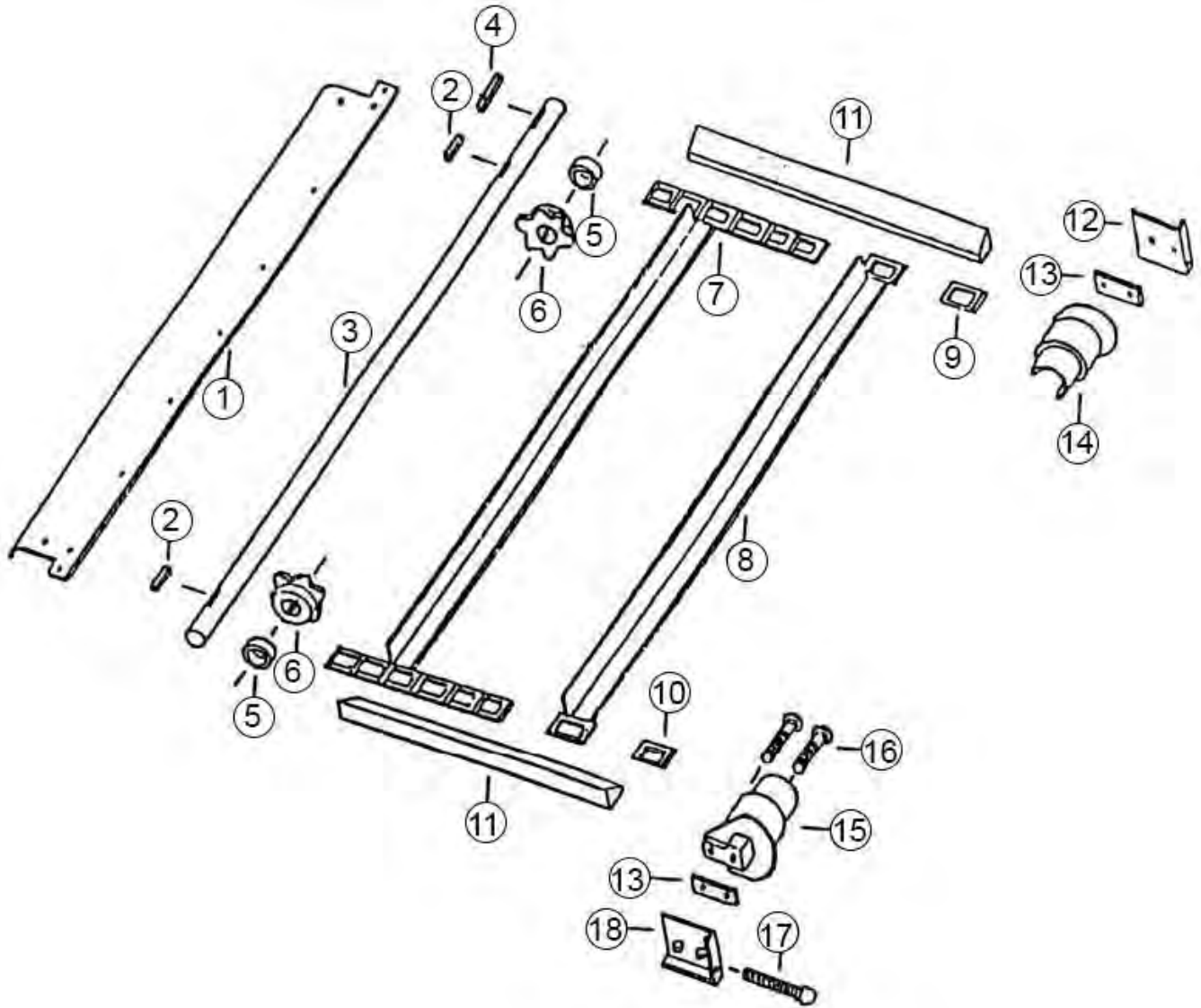


FIGURE 6

APRON CHAIN ASSEMBLY

| <u>ITEM</u> | <u>QTY</u> | <u>PART#</u> | <u>DESCRIPTION</u> |
|-------------|------------|--------------|---------------------------------------|
| 1 | 1 | 23N119 | POLY HOLD DOWN REAR |
| 2 | 2 | 23N303 | SQUARE KEY, 3/8 X 1-3/4 |
| 3 | 1 | 27N35 | DRIVE SHAFT |
| 4 | 2 | A32 | SQUARE KEY W/ ROUND ENDS, 3/8 X 1-3/8 |
| 5 | 2 | 23N121 | SPACER |
| 6 | 2 | 23N122 | DRIVE SPROCKET (6T) |
| 7 | 1 | 27N20 | APRON CHAIN 20 SLATS, 244 LINKS |
| 8 | 1 | 23N124 | SLAT W/ ATTACHMENT LINK |
| 9 | 1 | S55 | T-ROD STANDARD LINK |
| 10 | 1 | S55 | T-ROD STANDARD LINK |
| 11 | 2 | 27N21 | APRON CHAIN SIDE SPACERS |
| 12 | 1 | A30 | CHAIN SLIDE PLATE |
| 13 | 2 | 23N126 | CHAIN SLIDE SPACER |
| 14 | 1 | 23N127 | T-ROD SLIDE LH |
| 15 | 1 | 23N128 | T-ROD SLIDE RH |
| 16 | 2 | YBCR16045 | BOLT CARRIAGE, 1/2 X 4 G5 |
| 17 | 1 | YBHH16140 | BOLT HEX, 1/2 X 4-1/2 G5 |
| 18 | 1 | A29 | CHAIN SLIDE PLATE |

FIGURE 7
HYDRAULIC ENDGATE CYLINDER

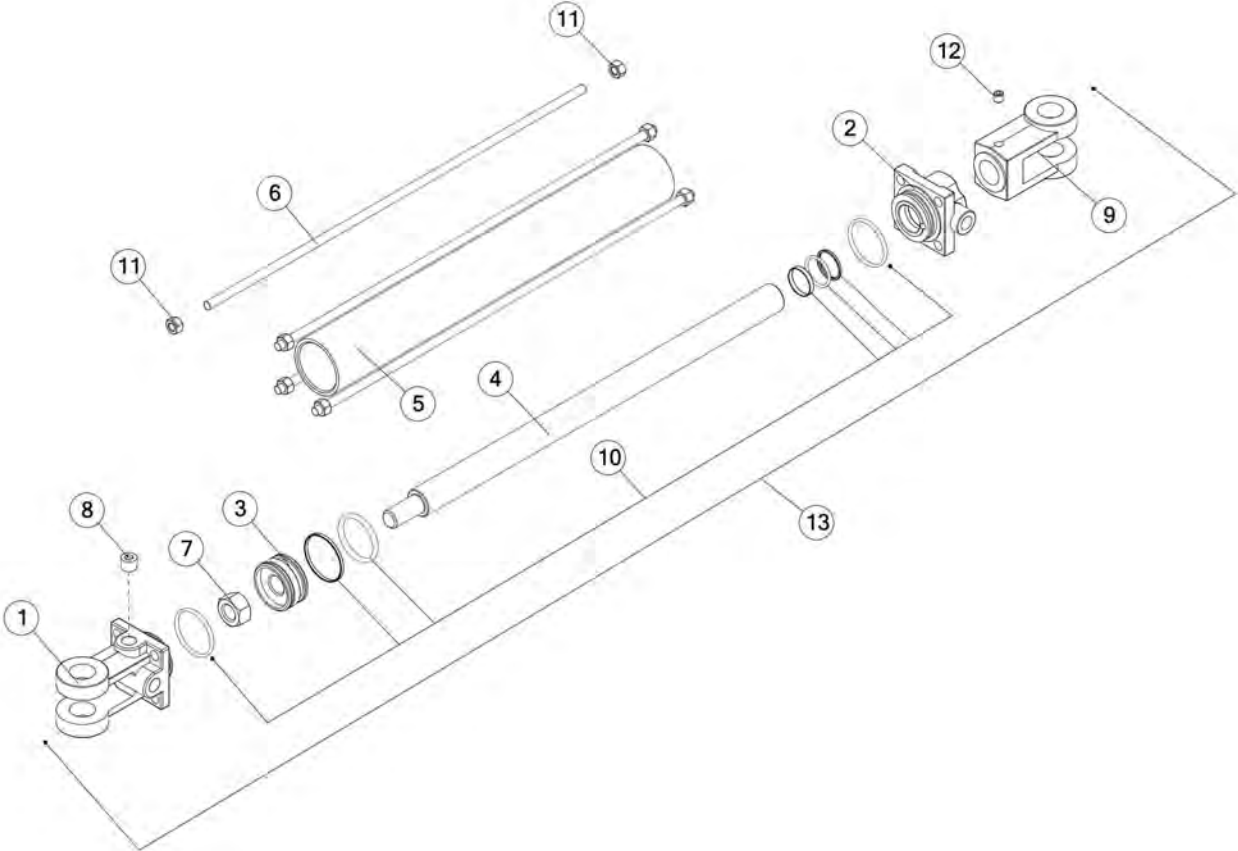


FIGURE 7 HYDRAULIC ENDGATE CYLINDER

| <u>ITEM</u> | <u>QTY</u> | <u>PART#</u> | <u>DESCRIPTION</u> |
|-------------|------------|--------------|-------------------------------|
| 1 | 1 | 23N142A | CLEVIS CAP FOR 2 IN CYLINDERS |
| 2 | 1 | 56174 | ROD CAP |
| 3 | 1 | 56180 | PISTON FOR 2 IN CYLINDER |
| 4 | 1 | 23N145A | ROD |
| 5 | 1 | 23N146 | CYLINDER TUBE |
| 6 | 4 | 23N147 | SHAFT |
| 7 | 1 | 23N148 | PISTON NUT |
| 8 | 1 | 23N149 | PLUG |
| 9 | 1 | 23N150A | ROD CLEVIS |
| 10 | 1 | 56187 | SEAL KIT FOR 2 IN CYLINDER |
| 11 | 8 | YNHX12006 | NUT HEX, 3/8 G2 |
| 12 | 1 | YSSO12015 | SET SCREW, 3/8 X 3/8 |
| 13 | 1 | 56015 | HYDRAULIC CYLINDER (2 X 16) |

FIGURE 8 PTO ASSEMBLY

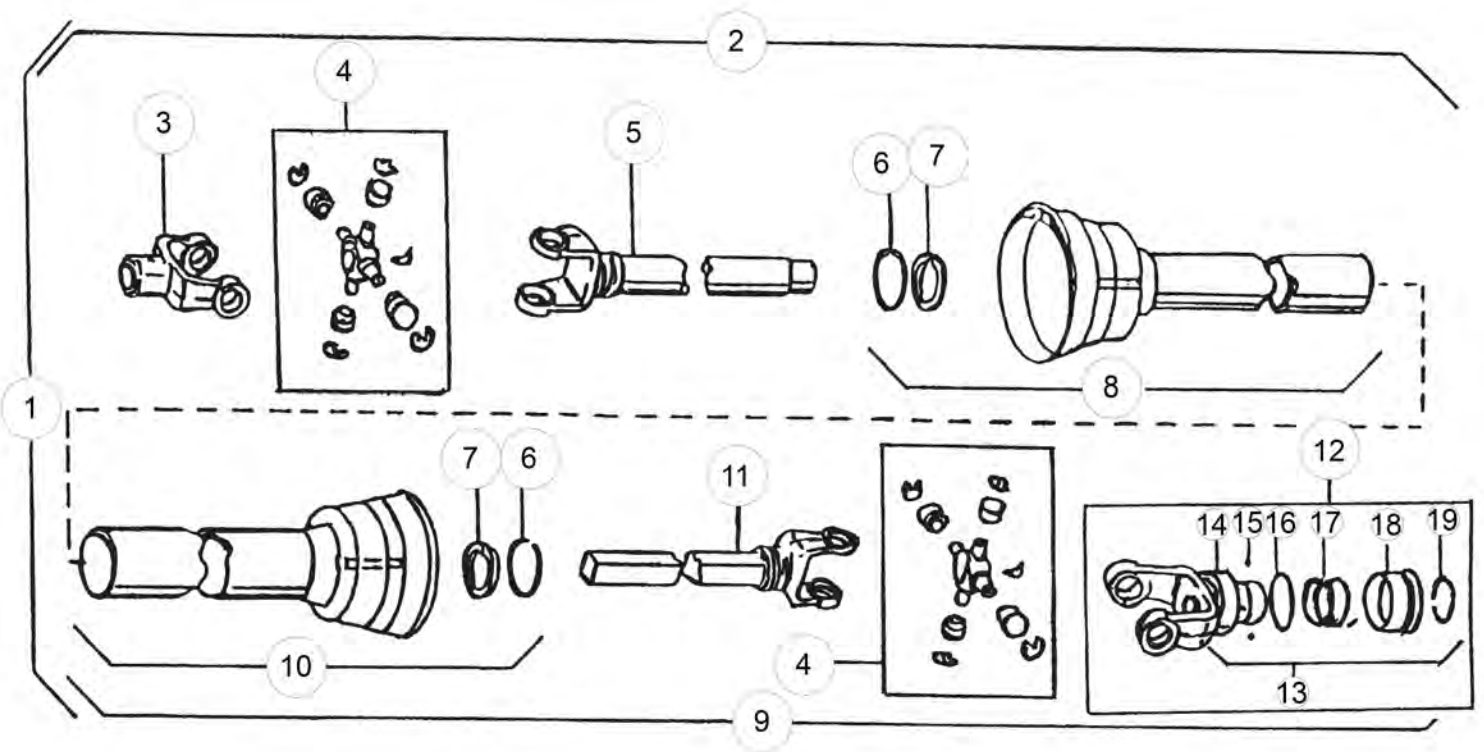


FIGURE 8 PTO ASSEMBLY

| <u>ITEM</u> | <u>QTY</u> | <u>PART#</u> | <u>DESCRIPTION</u> |
|-------------|------------|--------------|------------------------------------|
| 1 | 1 | 23N152 | COMPLETE PTO W/ SHIELDS |
| 2 | 1 | 23N153 | MACHINE HALF PTO W/ SHIELD |
| 3 | 1 | G1R35 | END YOKE MACHINE HALF |
| 4 | 2 | 14NWKIT | REPAIR KIT |
| 5 | 1 | 23N155 | YOKE AND TUBE |
| 6 | 2 | 24N26 | BEARING RETAINER |
| 7 | 2 | 4N20 | NYLON BEARING |
| 8 | 1 | 23N156 | INNER GUARD INCLUDING ITEM #6 & #7 |
| 9 | 1 | 23N157 | TRACTOR HALF PTO W/ SHIELD |
| 10 | 1 | 23N158 | OUTER GUARD INCLUDING ITEM #6 & #7 |
| 11 | 1 | 23N159 | YOKE AND SHAFT |
| 12 | 1 | 23N162 | LOCK YOKE ASSEMBLY |
| 13 | 1 | S225 | SPRING LOCK REPAIR KIT |
| 14 | | S226 | COVER |
| 15 | | S212 | STAINLESS BALL |
| 16 | | S227 | WASHER |
| 17 | | S228 | SPRING |
| 18 | | S229 | COLLAR ASSEMBLY |
| 19 | | S215 | RETAINING RING |
| * | 1 | S402 | PTO SAFETY MANUAL |

*MEANS NOT SHOWN

FIGURE 9 OPTIONAL 2ND BEATER LH

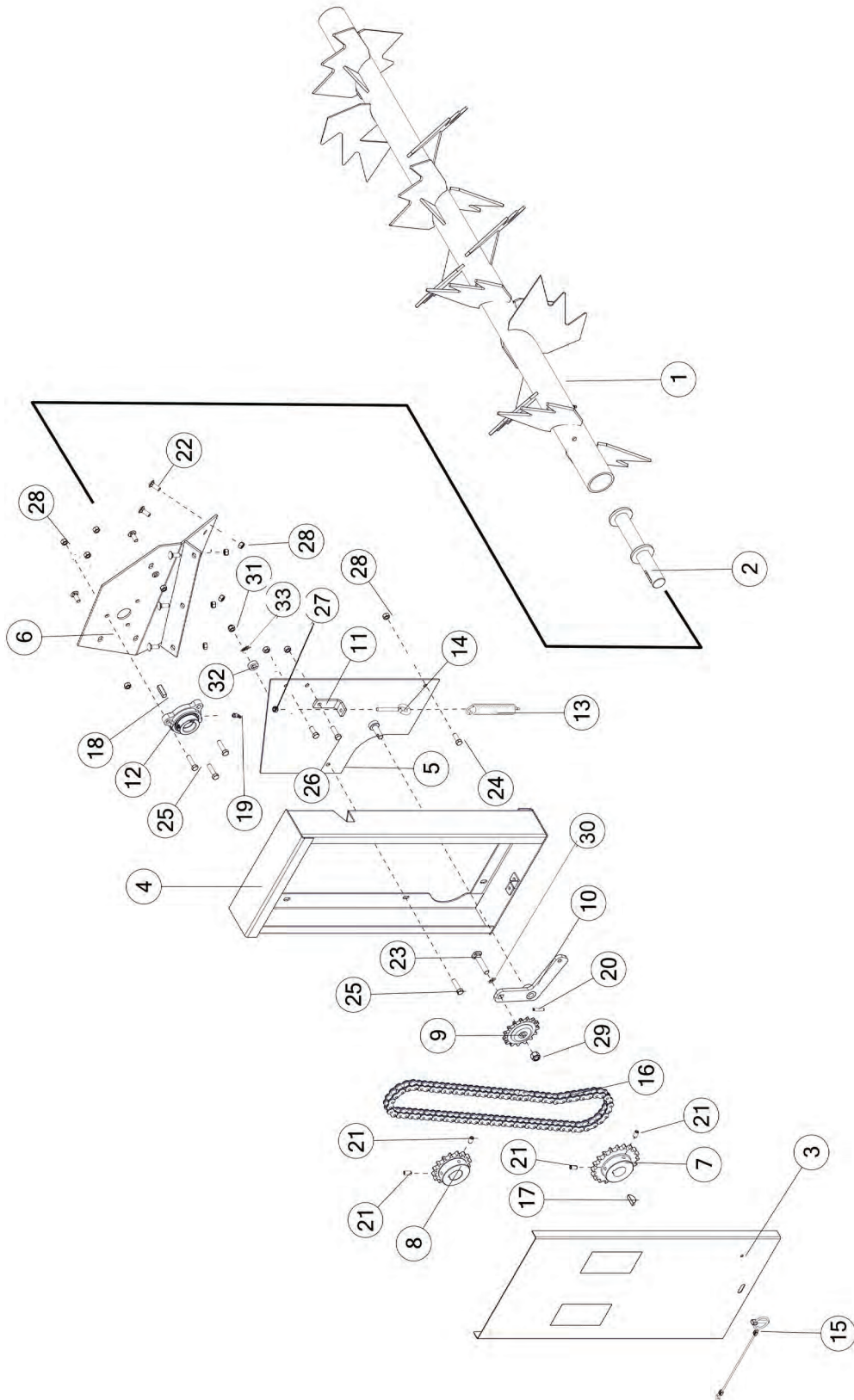


FIGURE 9

OPTIONAL 2ND BEATER LH

| <u>ITEM</u> | <u>QTY</u> | <u>PART#</u> | <u>DESCRIPTION</u> |
|-------------|------------|--------------|-------------------------------|
| 1 | 1 | 80724 | SECOND BEATER |
| 2 | 1 | 80723 | STUB SHAFT RH |
| 3 | 1 | 81467 | FRONT SHIELD WITH DECAL |
| 4 | 1 | 81471 | BEATER SHIELD WITH DECALS |
| 5 | 1 | 81470 | BACK SHIELD WITH DECAL |
| 6 | 1 | 80755 | BEATER PANEL, RH |
| 7 | 1 | 80898 | SPROCKET, 20T |
| 8 | 1 | D23 | SPROCKET, 16T |
| 9 | 1 | 12N42 | IDLER SPROCKET,15T |
| 10 | 1 | 80728 | SPRING TENSIONER ARM |
| 11 | 1 | 80152 | SPRING TENSIONER BRKT |
| 12 | 1 | 80725 | BEATER BEARING |
| 13 | 1 | ST36 | TENSION SPRING |
| 14 | 1 | YBTE10015 | BOLT TURNED EYE, 5/16 X 2-5/8 |
| 15 | 1 | S122 | LANYARD CLIP PIN CABLE |
| 16 | 1 | 37N49 | ROLLER CHAIN #60 |
| 17 | 1 | 5B9 | KEY |
| 18 | 1 | A32 | SQUARE KEY |
| 19 | 1 | RG21 | GREASE ZERK, 45 DEGREE |
| 20 | 1 | YPEX08010 | EXPANSION PIN, 1/4 X 1-1/4 |
| 21 | 4 | YSKP12035 | SETSCREW, 3/8 X 3/4 |
| 22 | 6 | YBCR12010 | BOLT CARRIAGE, 3/8 X 1 G5 |
| 23 | 1 | YBCR16025 | BOLT CARRIAGE, 1/2 X 2-1/2 G2 |
| 24 | 2 | YBFB12003 | BOLT FLANGE, 3/8 X 1 G5 |
| 25 | 3 | YBFB12150 | BOLT FLANGE, 3/8 X 1-1/2 G5 |
| 26 | 1 | YBFB12125 | BOLT FLANGE, 3/8 X 1-1/4 G5 |
| 27 | 1 | YNFG10005 | NUT FLANGE, 5/16 GF |
| 28 | 12 | YNFG12006 | NUT FLANGE, 3/8 GF |
| 29 | 1 | YNFG16003 | NUT FLANGE, 1/2 GF |
| 30 | 4 | YWFL14005 | WASHER FLAT, 7/16 |
| 31 | 1 | YNNY12005 | NUT HEX, 3/8 LKNY G2 |
| 32 | 1 | S246 | SPACER |
| 33 | 3 | YWFL12005 | WASHER FLAT, 3/8 |

FIGURE 9 **OPTIONAL 2ND BEATER RH**

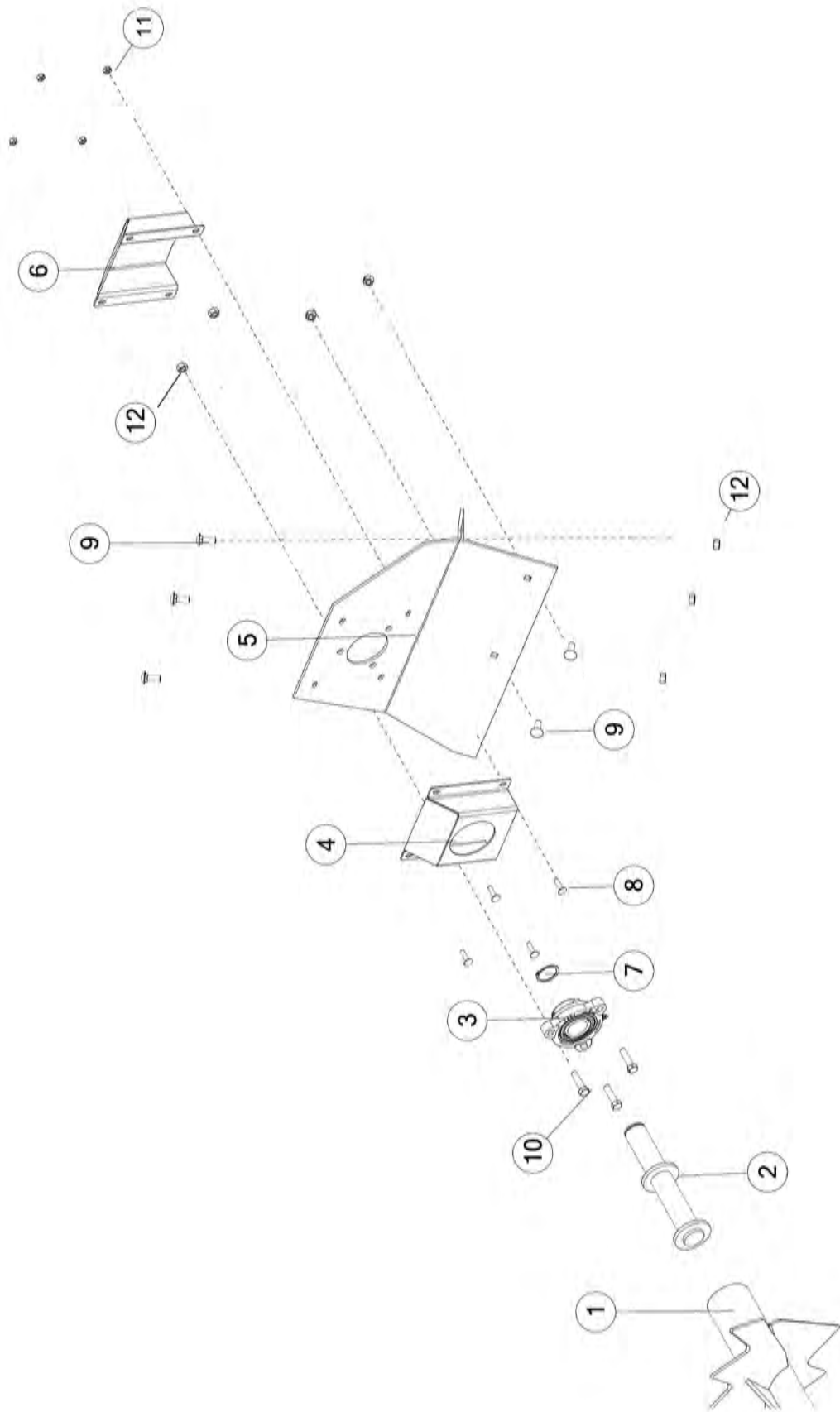


FIGURE 9
OPTIONAL 2ND BEATER RH

| <u>ITEM</u> | <u>QTY</u> | <u>PART#</u> | <u>DESCRIPTION</u> |
|--------------------|-------------------|---------------------|-----------------------------------|
| 1 | 1 | 80724 | SECOND BEATER |
| 2 | 1 | 80721 | STUB SHAFT LH |
| 3 | 1 | 80725 | BEATER BEARING |
| 4 | 1 | 57216 | BEATER BEARING PROTECTOR |
| 5 | 1 | 80753 | BEATER PANEL LH |
| 6 | 1 | 87656 | EXTERIOR BEATER BEARING PROTECTOR |
| 7 | 1 | 81527 | EXTERNAL SNAP RING 1-3/8 |
| 8 | 4 | YBCR08005 | BOLT CARRIAGE, 1/4 X 1 G5 |
| 9 | 5 | YBCR12010 | BOLT CARRIAGE, 3/8 X 1 G5 |
| 10 | 3 | YBFB12150 | BOLT FLANGE, 3/8 X 1-1/2 G5 |
| 11 | 4 | YNFG08010 | NUT FLANGE, 1/4 GF |
| 12 | 8 | YNFG12006 | NUT FLANGE, 3/8 GF |

FIGURE 10 GEARBOX

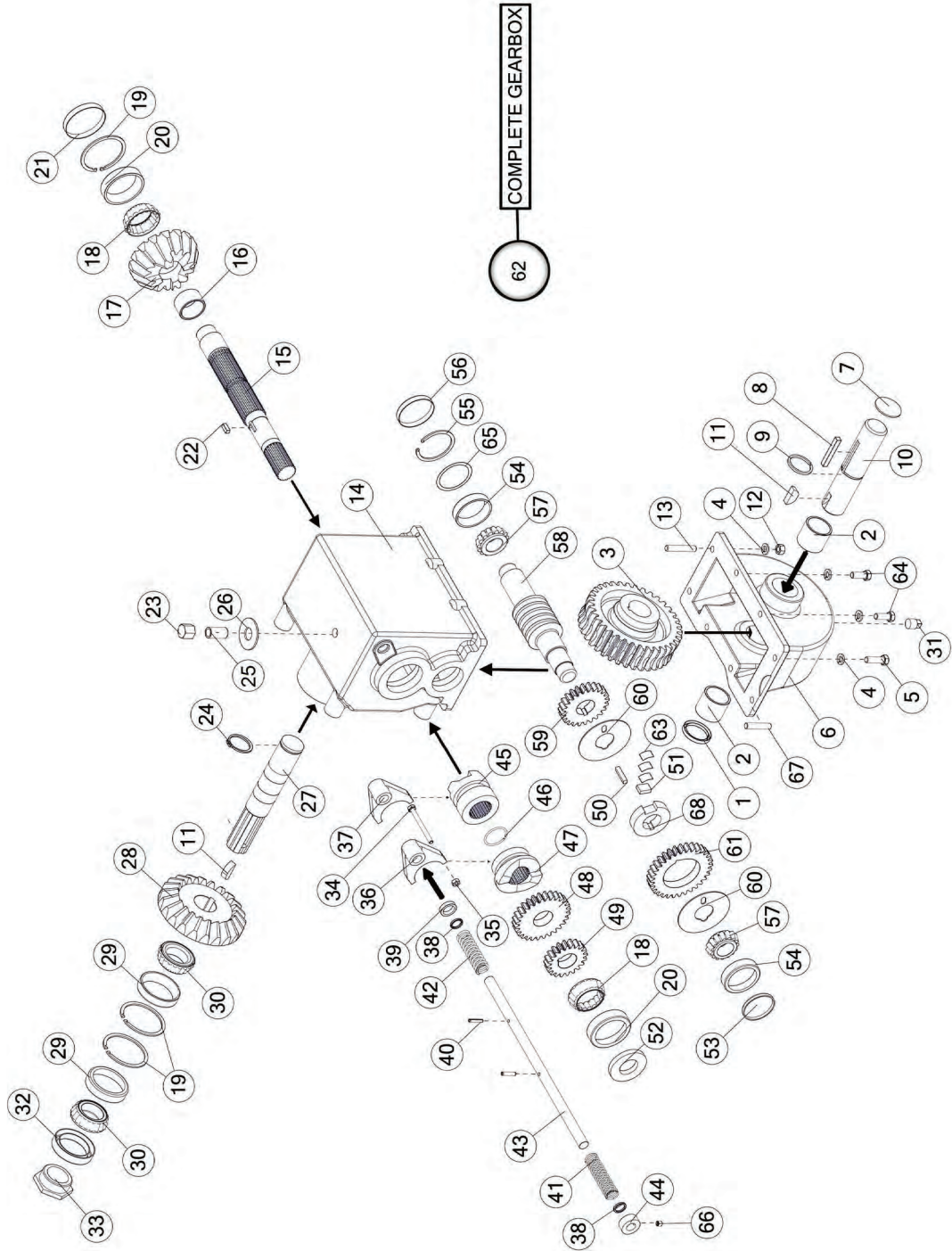


FIGURE 10 GEARBOX

| <u>ITEM</u> | <u>QTY</u> | <u>PART#</u> | <u>DESCRIPTION</u> |
|-------------|------------|--------------|----------------------------------|
| 1 | 1 | 17G133 | SEAL |
| 2 | 2 | 17G134 | BUSHING |
| 3 | 1 | 17G137 | WORM GEAR 36T |
| 4 | 8 | YWLO12005 | WASHER LOCK, 3/8 |
| 5 | 2 | YBHH12035 | BOLT HEX, 3/8 X 1-1/4 G5 |
| 6 | 1 | 17G107 | LOWER GEARBOX HOUSING |
| 7 | 1 | 17G139 | CAP |
| 8 | 1 | 17G132 | SQAURE KEY |
| 9 | 1 | 17G135 | SNAP RING |
| 10 | 1 | 17G136 | OUTPUT SHAFT |
| 11 | 2 | 5B9 | WOODRUF KEY |
| 12 | 2 | YNHX12005 | HEX NUT, 3/8 GR 2 |
| 13 | 2 | 17G140 | STUD |
| 14 | 1 | 17G99 | UPPER GEARBOX HOUSING |
| 15 | 1 | 17G108A | INPUT SHAFT |
| 16 | 1 | 17G111 | BRONZE BUSHING |
| 17 | 1 | 17G110 | BEVEL GEAR, (16T) |
| 18 | 2 | G18 | TAPER BEARING |
| 19 | 3 | G55 | INTERNAL SNAP RING |
| 20 | 2 | 18VB25 | RACE |
| 21 | 1 | G68 | CAP |
| 22 | 1 | 17G116 | SQUARE KEY |
| 23 | 1 | 17G58 | VENT CAP |
| 24 | 1 | 12V62 | SNAP RING |
| 25 | 1 | 23N288 | PIPE NIPPLE |
| 26 | 1 | YWFL24005 | WASHER FLAT, 3/4 USS |
| 27 | 1 | 17G104 | BEATER OUTPUT SHAFT |
| 28 | 1 | 17G101 | GEAR BEVEL (22T) |
| 29 | 2 | 17G102 | RACE |
| 30 | 2 | 17G103 | TAPER BEARING |
| 31 | 1 | G65 | PLUG PIPE, 3/8 NPT |
| 32 | 1 | 17G105 | SEAL |
| 33 | 1 | 17G106 | NUT HEX, 1-1/2 |
| 34 | 1 | YBHH08090 | BOLT HEX FULL THREAD, 1/4 X 3 G2 |
| 35 | 1 | YNHX08007 | NUT HEX, 1/4 G5 |

FIGURE 10
GEARBOX

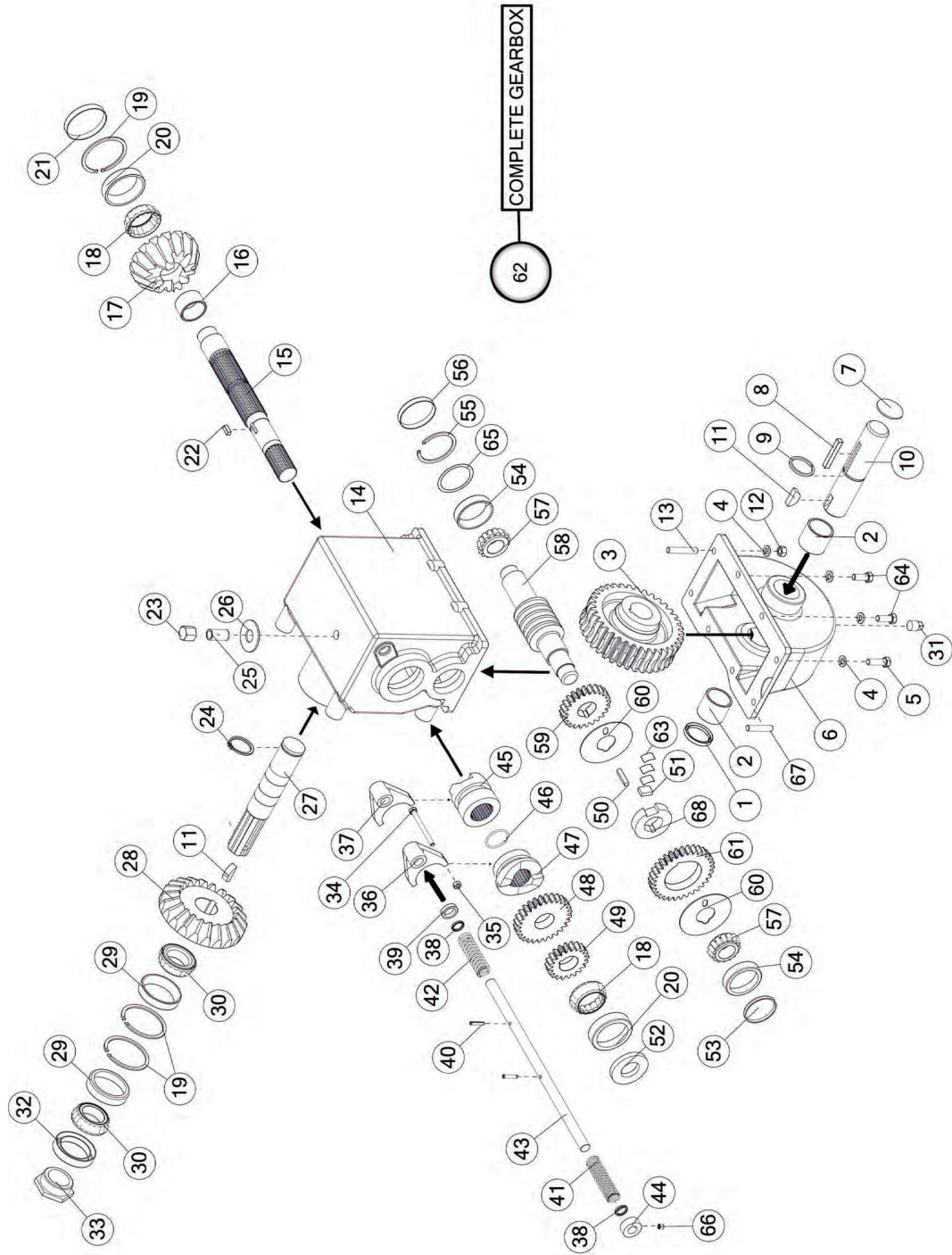


FIGURE 10 GEARBOX

| <u>ITEM</u> | <u>QTY</u> | <u>PART#</u> | <u>DESCRIPTION</u> |
|-------------|------------|--------------|-----------------------------|
| 36 | 1 | 17G125 | HIGH SPEED SHIFTER YOKE |
| 37 | 1 | 17G129 | BEATER SHIFTER YOKE |
| 38 | 2 | 17G121 | SEAL |
| 39 | 1 | 17G122 | STRAIGHT ROUND TUBE |
| 40 | 2 | 17G123 | ROLL PIN |
| 41 | 1 | 17G128 | SPRING |
| 42 | 1 | 17G130 | SPRING |
| 43 | 1 | 17G131 | SHIFTER ROD SHAFT |
| 44 | 1 | 17G171 | LOCK COLLAR |
| 45 | 1 | 17G109 | BEATER CLUTCH |
| 46 | 1 | 17G169A | SNAP RING |
| 47 | 1 | 17G119 | HIGH SPEED CLUTCH |
| 48 | 1 | 17G118 | GEAR (28T) |
| 49 | 1 | 17G115 | LOW SPEED, 2 SPEED GEAR BOX |
| 50 | 1 | S135 | SQAURE KEY |
| 51 | 1 | 17G124 | KEY |
| 52 | 1 | S136 | SEAL |
| 53 | 2 | 17G100 | CAP |
| 54 | 2 | 3G18 | RACE |
| 55 | 1 | 3G19 | INTERNAL SNAP RING |
| 56 | 1 | G90 | CAP |
| 57 | 2 | L3G24 | TAPER BEARING |
| 58 | 1 | 17G120 | SHAFT |
| 59 | 1 | 17G117 | HIGH SPEED GEAR |
| 60 | 2 | 17G112 | WASHER FLAT |
| 61 | 1 | 17G113 | LOW SPEED GEAR |
| 62 | 1 | 17G142 | COMPLETE GEARBOX |
| 63 | 3 | 17G126 | DOG SPRING |
| 64 | 4 | YBHH12010 | BOLT HEX, 3/8 X 1 G5 |
| 65 | 1 | G92 | STAINLESS SHIM |
| 66 | 1 | YSKP10015 | SET SCREW |
| 67 | 1 | 17G138 | STUD |
| 68 | 1 | 17G114 | LOW SPEED CLUTCH |
| | 1 | | |

FIGURE 11
4-HOSE HYDRAULIC DRIVE

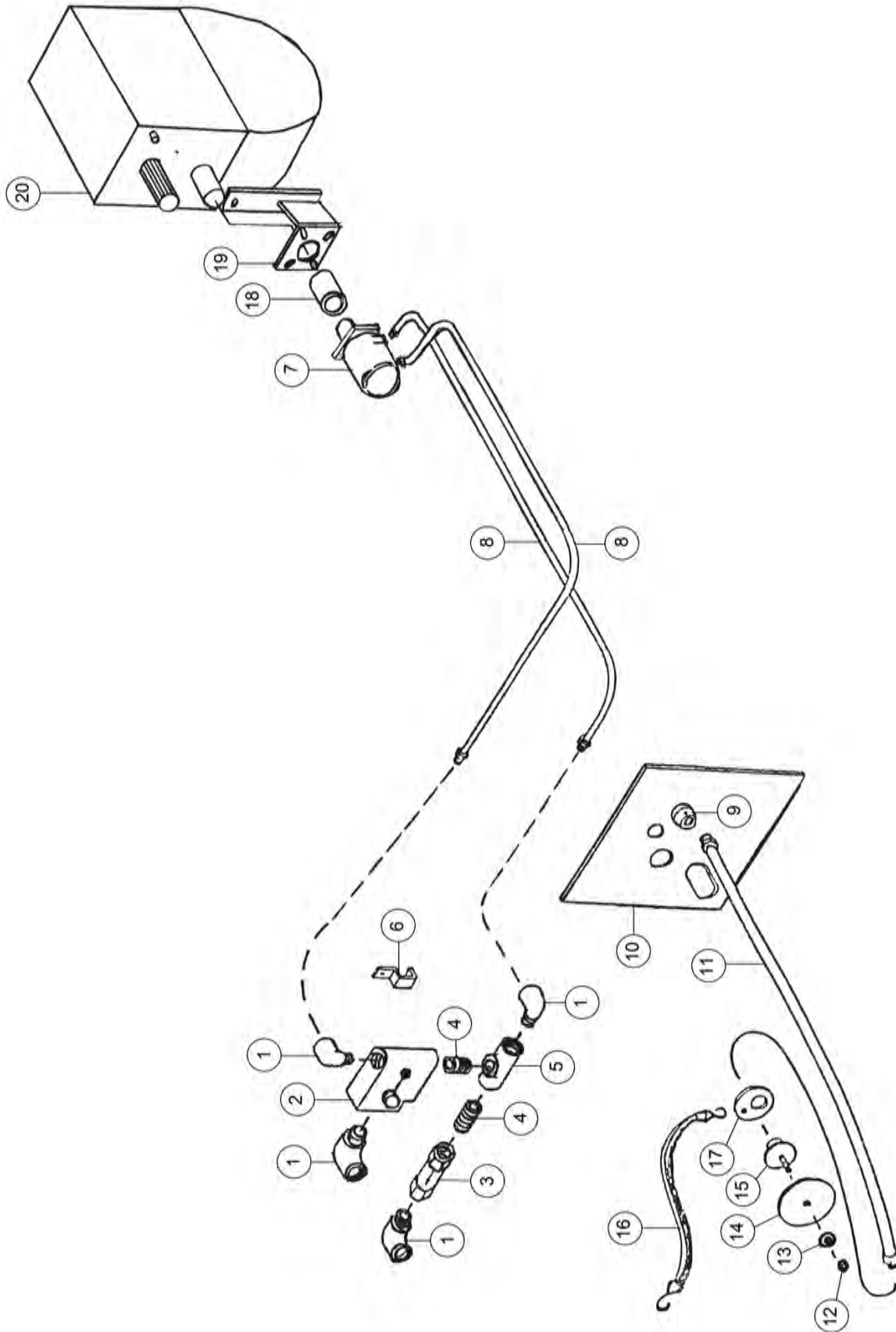


FIGURE 11

4-HOSE HYDRAULIC DRIVE

| <u>ITEM</u> | <u>QTY</u> | <u>PART#</u> | <u>DESCRIPTION</u> |
|-------------|------------|--------------|-------------------------|
| 1 | 4 | HE58 | STREET ELBOW, 90 DEGREE |
| 2 | 1 | DF15 | SPEED CONTROL |
| 3 | 1 | DF18 | CHECK VALVE |
| 4 | 2 | DF7 | NIPPLE |
| 5 | 1 | DF8 | TEE |
| 6 | 1 | HE14 | HOSE BRACKET |
| 7 | 1 | DF1 | HYDRAULIC MOTOR |
| 8 | 2 | 23N132 | HYDRAULIC MOTOR |
| 9 | 1 | DF21 | HOSE REDUCER |
| 10 | 1 | 23N133 | CONTROL PANEL |
| 11 | 1 | DF9 | HOSE FOR HANDLE |
| 12 | 1 | YNL12005 | HEX NUT TOP LOCK, 3/8 |
| 13 | 1 | DF12 | WASHER |
| 14 | 1 | DF11 | HANDLE |
| 15 | 1 | DF10 | HANDLE BRACKET |
| 16 | 1 | DF14 | STRAP |
| 17 | 1 | DF22 | RING FOR STRAP |
| 18 | 1 | 17G161 | COUPLER |
| 19 | 1 | 17G162 | MOUNTING BRACKET |
| 20 | 1 | 17G163 | COMPLETE GEARBOX |

FIGURE 12
2-HOSE HYDRAULIC DRIVE

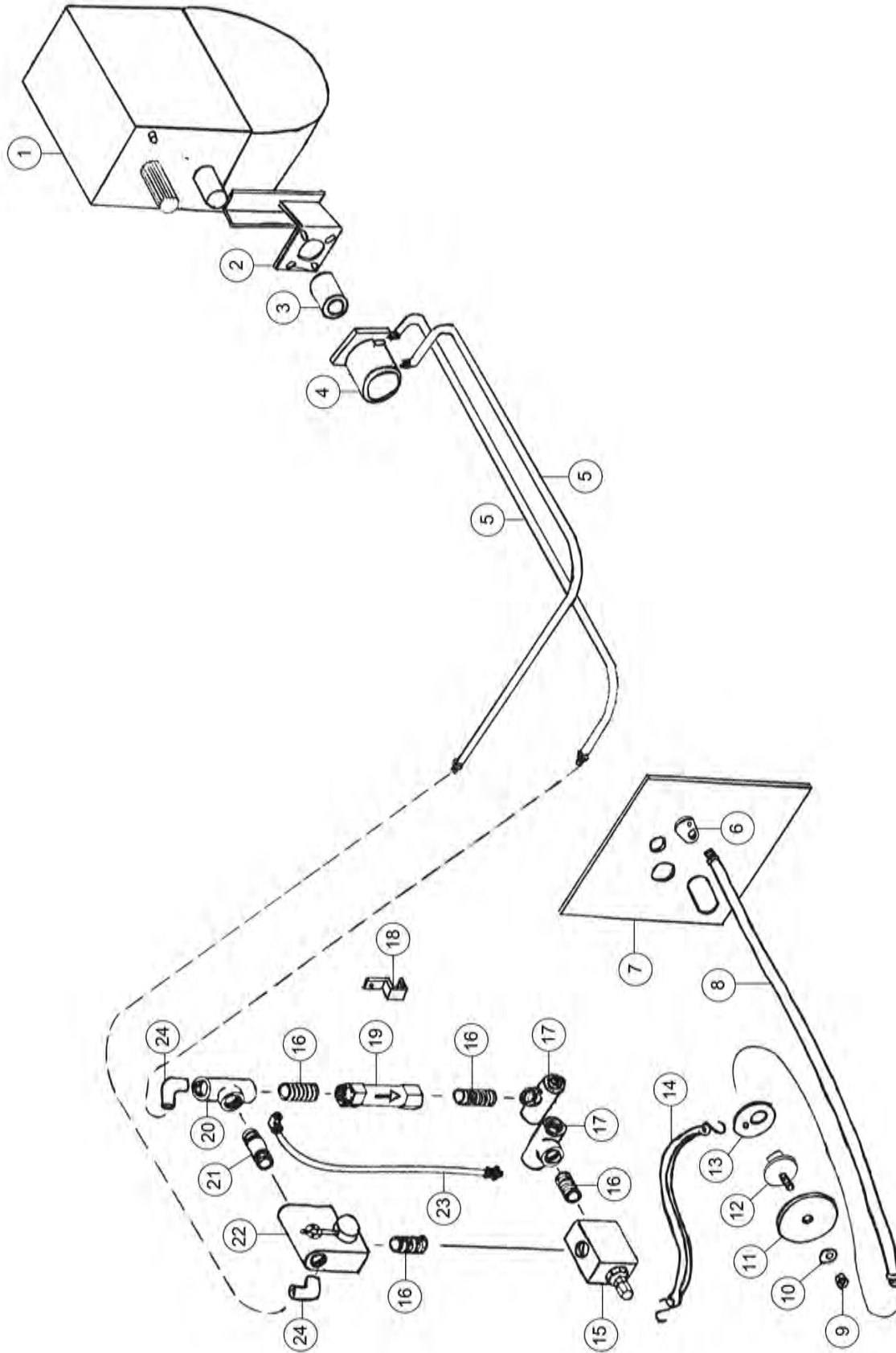


FIGURE 12

2-HOSE HYDRAULIC DRIVE

| <u>ITEM</u> | <u>QTY</u> | <u>PART#</u> | <u>DESCRIPTION</u> |
|-------------|------------|--------------|-------------------------|
| 1 | 1 | 17G163 | COMPLETE GEARBOX |
| 2 | 1 | 17G162 | MOUNTING BRACKET |
| 3 | 1 | 17G161 | COUPLER |
| 4 | 1 | DF1 | HYDRAULIC MOTOR |
| 5 | 2 | 23N132 | HYDRAULIC MOTOR HOSE |
| 6 | 1 | DF21 | REDUCER |
| 7 | 1 | 23N133 | CONTROL PANEL |
| 8 | 1 | DF9 | HOSE FOR HANDLE |
| 9 | 1 | YNTL12005 | NUT HEX, TOP LOCK, 3/8 |
| 10 | 1 | DF12 | WASHER |
| 11 | 1 | DF11 | HANDLE |
| 12 | 1 | DF10 | HANDLE BRACKET |
| 13 | 1 | DF22 | RING FOR STRAP |
| 14 | 1 | DF14 | STRAP |
| 15 | 1 | DF6 | SEQUENCE VALVE |
| 16 | 4 | DF7 | NIPPLE |
| 17 | 1 | DF8 | TEE |
| 18 | 1 | HE14 | HOSE BRACKET |
| 19 | 1 | DF18 | CHECK VALVE |
| 20 | 1 | DF19 | TEE |
| 21 | 1 | DF17 | NIPPLE |
| 22 | 1 | DF15 | SPEED CONTROL |
| 23 | 1 | DF16 | DRAIN HOSE |
| 24 | 1 | HE58 | STREET ELBOW, 90 DEGREE |

FIGURE 13 HYDRAULIC DRIVE GEARBOX

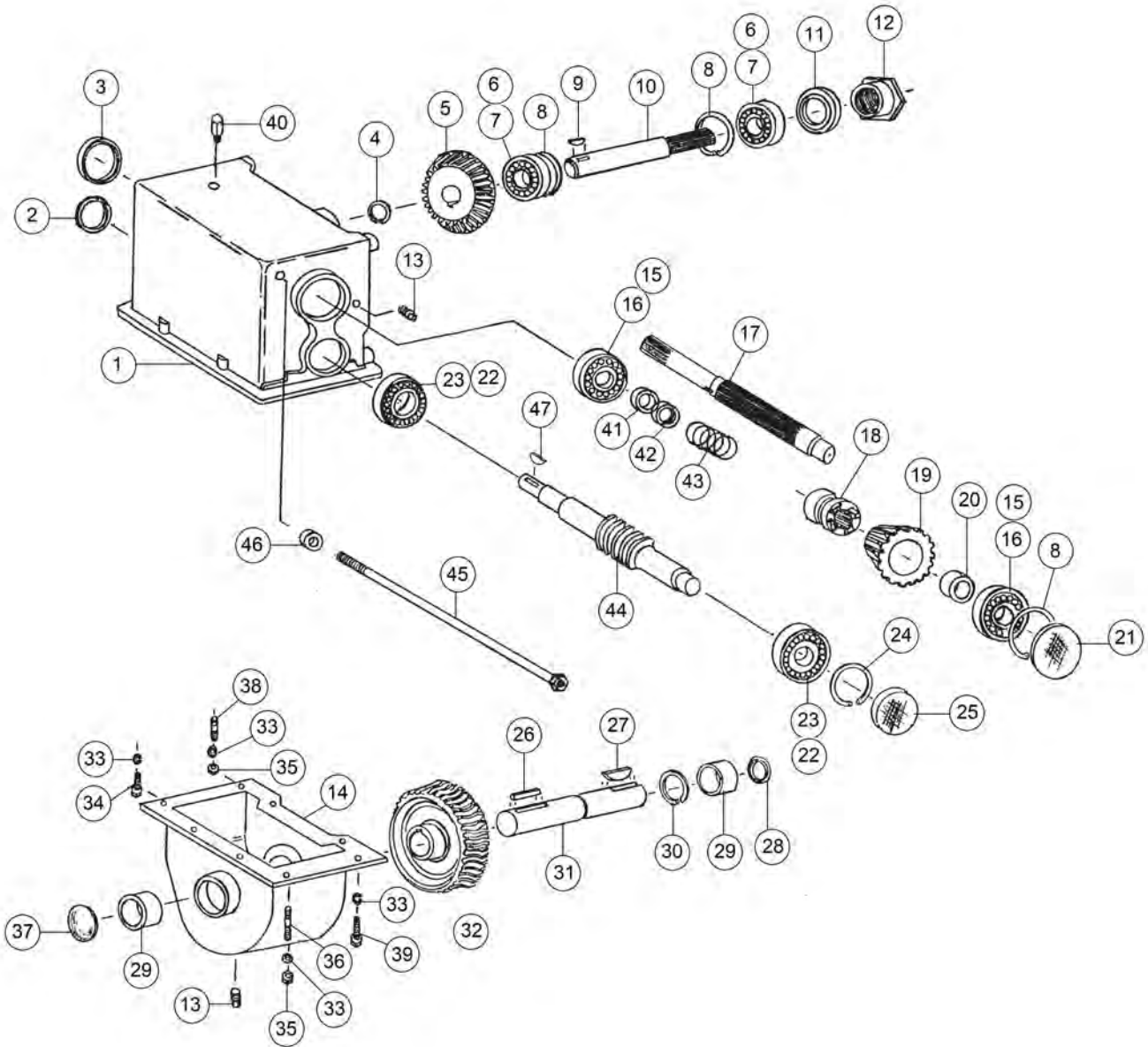


FIGURE 13

HYDRAULIC DRIVE GEARBOX

| <u>ITEM</u> | <u>QTY</u> | <u>PART#</u> | <u>DESCRIPTION</u> |
|-------------|------------|--------------|---------------------------|
| 1 | 1 | 17G99 | UPPER GEARBOX HOUSING |
| 2 | 1 | 17G164 | SEAL |
| 3 | 1 | S136 | SEAL |
| 4 | 1 | 12V62 | RETAINING RING |
| 5 | 1 | 17G101 | GEAR (22T) |
| 6 | 2 | 17G102 | RACE |
| 7 | 2 | 17G103 | BEARING |
| 8 | 3 | G55 | RETAINING RING |
| 9 | 1 | G61 | WOODRUFF KEY, 3/8 X 1-1/4 |
| 10 | 1 | 17G104 | BEATER OUTPUT SHAFT |
| 11 | 1 | 17G105 | SEAL |
| 12 | 1 | 17G106 | ADJUSTMENT NUT |
| 13 | 1 | G65 | PLUG |
| 14 | 1 | 17G107 | LOWER GEAR HOUSING |
| 15 | 2 | G54 | RACE |
| 16 | 2 | G18 | BEARING |
| 17 | 1 | 17G108A | INPUT SHAFT |
| 18 | 1 | 17G109 | BEATER CLUTCH |
| 19 | 1 | 17G110 | GEAR W/ CLUTCH (16T) |
| 20 | 1 | 17G111 | BUSHING |
| 21 | 1 | G68 | CAP |
| 22 | 2 | 3G18 | RACE |
| 23 | 2 | L3G24 | BEARING |
| 24 | 1 | 3G19 | RETAINING RING |
| 25 | 1 | G90 | CAP |
| 26 | 1 | 17G132 | KEY, 5/16 X 2-1/4 |
| 27 | 1 | 5B9 | WOODRUFF KEY, 3/8 X 1-1/4 |
| 28 | 1 | 17G133 | SEAL |
| 29 | 1 | 17G134 | BUSHING |
| 30 | 1 | 17G135 | RETAINING RING |
| 31 | 1 | 17G136 | WORM GEAR OUTPUT SHAFT |
| 32 | 1 | 17G137 | WORM GEAR |
| 33 | 8 | YWLO12005 | WASHER LOCK, 3/8 |
| 34 | 2 | YBHH12010 | BOLT HEX, 3/8 X 1 G5 |
| 35 | 1 | YNHX12005 | NUT HEX, 3/8 |
| 36 | 2 | 17G138 | STUD, 3/8 X 2 |
| 37 | 1 | 17G139 | CAP |
| 38 | 2 | 17G140 | STUD BOLT, 3/8 X 1-1/2 |
| 39 | 2 | YBHH12035 | BOLT HEX, 3/8 X 1-1/4 G5 |
| 40 | 1 | G24 | PIPE PLUG |
| 41 | 1 | 17G165 | SPACER |
| 42 | 1 | A25 | SPACER |
| 43 | 1 | 23N89 | SPRING |
| 44 | 1 | 17G166 | WORM SHAFT |
| 45 | 1 | 17G167 | BOLT |
| 46 | 1 | 17G168 | SPACER |
| 47 | 1 | 5B10 | KEY |

FIGURE 14 OPTIONAL ELECTRIC CONTROL FOR HYDRAULIC DRIVE

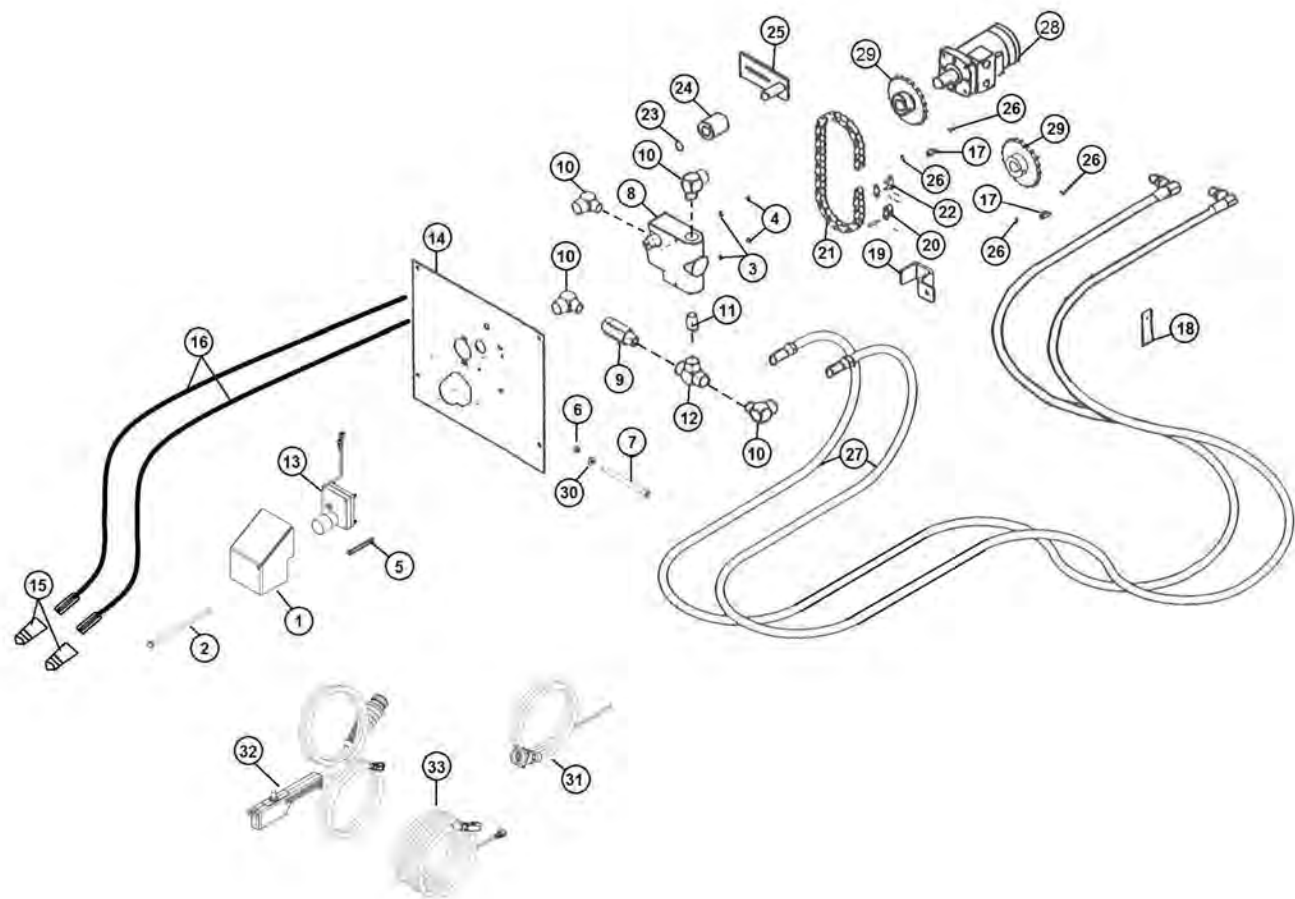


FIGURE 14

OPTIONAL ELECTRIC CONTROL FOR HYDRAULIC DRIVE

| <u>ITEM</u> | <u>QTY</u> | <u>PART#</u> | <u>DESCRIPTION</u> |
|-------------|------------|--------------|------------------------------------|
| 1 | 1 | 81058 | MOTOR SHIELD HOLDER |
| 2 | 1 | YBHH08127 | SHIELD BOLT |
| 3 | 2 | YWLO08005 | WASHER LOCK, 1/4 |
| 4 | 2 | YNTL08005 | NUT HEX, 1/4 G2 |
| 5 | 2 | YBCR08025 | BOLT CARRIAGE, 1/4 X 2-1/2 G5 |
| 6 | 1 | YNTL12005 | NUT HEX, 3/8 |
| 7 | 1 | YSHS12020 | BOLT, 3/8 X 4-1/2 |
| 8 | 1 | DF15A | FLOW CONTROL |
| 9 | 1 | DF18 | CHECK VALVE |
| 10 | 4 | HE58 | FIT, 90, 1/2NPT X 1/2NPT |
| 11 | 1 | DF4 | FIT, STRAIGHT, 1/2NPT X 1/2NPT |
| 12 | 1 | DF8 | FIT, TEE, 1/2NPT X 1/2NPT X 1/2NPT |
| 13 | 1 | 81270 | GEAR MOTOR |
| 14 | 1 | 23N133 | CONTROL PANEL |
| 15 | 2 | DWM205 | MALE QUICK COUPLER |
| 16 | 2 | 23N309 | HYD HOSE, 8 X 96 |
| 17 | 2 | 5B10 | WOODRUFF KEY, 1/4 X 1 |
| 18 | 1 | 23N117 | HOSE HOLDER |
| 19 | 1 | HE14 | PIPE BRACKET |
| 20 | 1 | X60 | OFFSET LINK (#50) |
| 21 | 1 | 23N131 | ROLLER CHAIN (#50, 40 PITCHES) |
| 22 | 1 | X61 | CONNECTOR LINK (#50) |
| 23 | 1 | 10R32 | EXTERNAL SNAP RING |
| 24 | 1 | 23N238 | CHAIN TIGHTENER ROLLER |
| 25 | 1 | L10R35 | TIGHTENER BRAKET |
| 26 | 2 | YSKP10010 | SCREW, SOCKET HEAD 5/16 X 3/8 |
| 27 | 2 | 77330 | HYD HOSE, 6, 224IN |
| 28 | 1 | DF1 | HYDRAULIC MOTOR |
| 29 | 1 | 11S19 | DRIVE SPROCKET (20T) |
| 30 | 1 | YWLO12005 | WASHER LOCK, 1/4 |
| 31 | 1 | 16SV269 | TRACTOR CONTROL HARNESS |
| 32 | 1 | 63365 | HAND CONTROLLER |
| 33 | 1 | 16SV272 | POWER SUPPLY CABLE |

FIGURE 15
LIGHT KIT

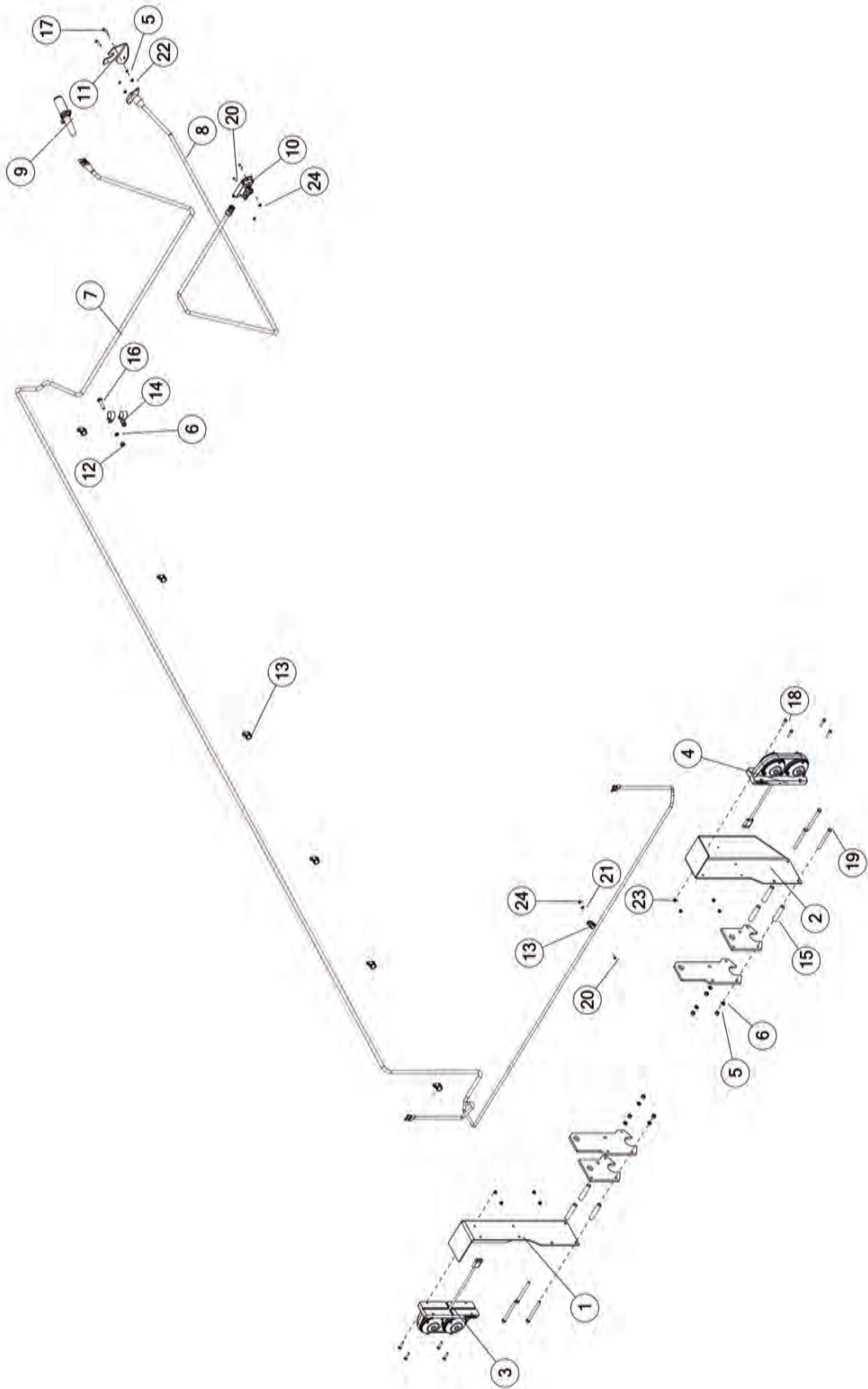


FIGURE 15 LIGHT KIT

| <u>ITEM</u> | <u>QTY</u> | <u>PART#</u> | <u>DESCRIPTION</u> |
|-------------|------------|--------------|----------------------------|
| 1 | 1 | 77918 | LIGHT BRACKET LH |
| 2 | 1 | 77922 | LIGHT BRACKET RH |
| 3 | 1 | 77923 | TAIL LIGHT ASSY LH |
| 4 | 1 | 77924 | TAIL LIGHT ASSY RH |
| 5 | 1 | YN TL12005 | NUT HEX, 3/8 |
| 6 | 2 | YWLO12005 | WASHER LOCK, 3/8 |
| 7 | 1 | 77975 | ELEC HARNESS |
| 8 | 1 | 79260 | LIGHT HARNESS |
| 9 | 1 | TLPC | TRANSPORT LIGHT CORD |
| 10 | 1 | 69908 | MODULE CONTROL BLINKER |
| 11 | 1 | BFR659 | LIGHT BRACKET |
| 12 | 2 | YN TL12005 | NUT HEX, 3/8 |
| 13 | 5 | HGV162 | 1/2 RUBBER WIRE HOLDER |
| 14 | 2 | HGV72 | SMALL TUBE HOLDER SPACER |
| 15 | 6 | ST55 | BOLT CARR, 3/8 X 2 |
| 16 | 2 | YBCR12035 | BOLT, 1/4 X 1 |
| 17 | 2 | YBHH08005 | BOLT, 1/4 X 1-1/4 |
| 18 | 8 | YBHH08030 | BOLT, 3/8 X 4-1/2 |
| 19 | 8 | YBHH12185 | MACHINE SCREW #10-24 X 5/8 |
| 20 | 6 | YSPN64005 | RIVET |
| 21 | 6 | YMRV06015 | WASHER, 3/16 |
| 22 | 2 | YNHX08005 | NUT HEX, 1/4 |
| 23 | 8 | YNNY08005 | NUT HEX, 1/4 |
| 24 | 8 | YNNY64005 | NUT HEX, #10-24 |

CHANGE NOTES

1. ADDED LIGHT KIT TO FIGURE 15.
2. ADDED ITEM 34, 35 AND 36 TO FIGURE 2
3. ADDED ITEMS 28 THRU 35 TO FIGURE 5
4. CHANGE FIGURE 9 AND UPDATE HARDWARE

H&S MFG. CO.

products approved

for the

FEMA

SEAL OF QUALITY

