



# **PARTS BOOK**

**S3127**

**MANURE SPREADER**

Part #72467

Rev. #16

HSMFG121123

Starting Ser. #421MS27001



# TABLE OF CONTENTS

FIGURE #	CONTENTS	PAGE #
*	INSTRUCTIONS FOR ORDERING PARTS	1
1	JACK SHAFT SHIELD & COMPONENTS	2-3
2	FRONT SHIELD & COMPONENTS	4-5
3	SHIFTING LINK & COMPONENTS	6-9
4	SPLASH GUARD & COMPONENTS	10-11
5	SIDE FLARES & OMPONENTS	12-13
6	APRON CHAIN TIGHTENERS & COMPONENTS	14-15
7	SIDE SHAFT & COMPONENTS	16-17
8	REAR DRIVE SHIELD & COMPONENTS	18-19
9	DRIVE SHAFT & COMPONENTS	20-21
10	BOTTOM BEATER & COMPONENTS	22-23
11	SIDE PANELS & COMPONENTS	24-25
12	FLOOR & COMPONENTS	26-27
13	APRON CHAIN	28-29
14	TAILGATE & COMPONENTS	30-31
15	WHEEL & HUB ASSEMBLY	32-33
16	GEARBOX	34-37
17	ENDGATE CYLINDER	38-39
18	PTO	40-41
19	OPTIONAL TOP BEATER (MSOTB327)	42-45
20	OPTIONAL 2ND CYLINDER (MSO14B)	46-47
21	OPTIONAL REAR PAN (MSOPAN235)	48-49
22	OPTIONAL HIGHWAY LIGHTING KIT (MSOLIGHT)	50-51
23	OPTIONAL 16.5 X 16.1 TIRE/WHEEL/SPINDLE/HUB (TWSHP270)	52-53
*	PARTS NOTES	54



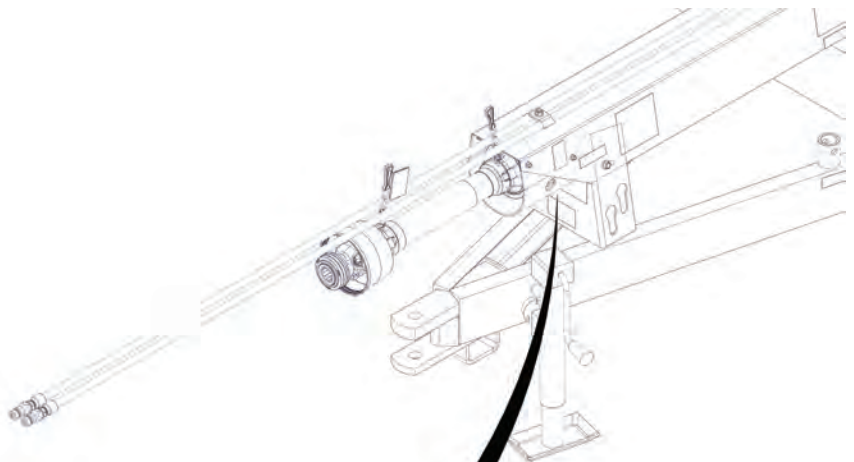
# INSTRUCTIONS FOR ORDERING PARTS

All service parts should be ordered through your authorized H&S dealer. Your Dealership will be able to give you faster service if you will provide them with the following:

1. All references to left or right apply to the machine as viewed from the rear.
2. Parts should not be ordered from illustration only. Please order complete part number.
3. If your dealer has to order parts - give shipping instructions:

VIA truck - large pieces (please specify local truck lines)

VIA United Parcel Service (include full address)



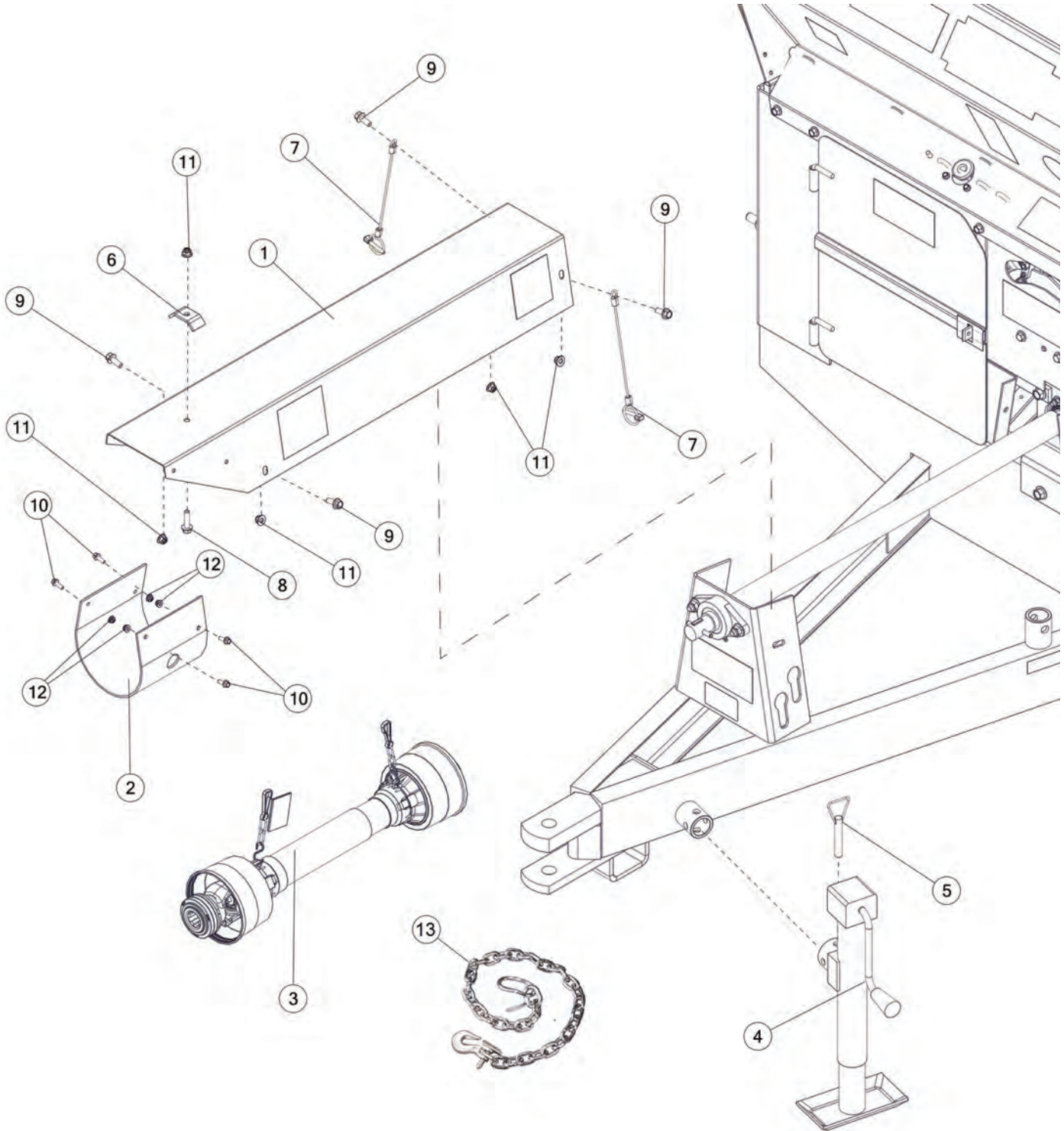
<b>H&amp;S MFG. CO. INC.</b> MARSHFIELD, WIS.	
MOD. NO.	<input type="text"/>
SER. NO.	<input type="text"/>
DESCR.	<input type="text"/>

PLEASE RECORD NUMBERS FOR YOUR UNIT FOR QUICK REFERENCE

H&S IS CONTINUALLY STRIVING TO IMPROVE ITS PRODUCTS

We must, therefore, reserve the right to make improvements or changes whenever it becomes practical to do so, without incurring any obligation to make changes or additions to the equipment previously sold.







# FIGURE 1

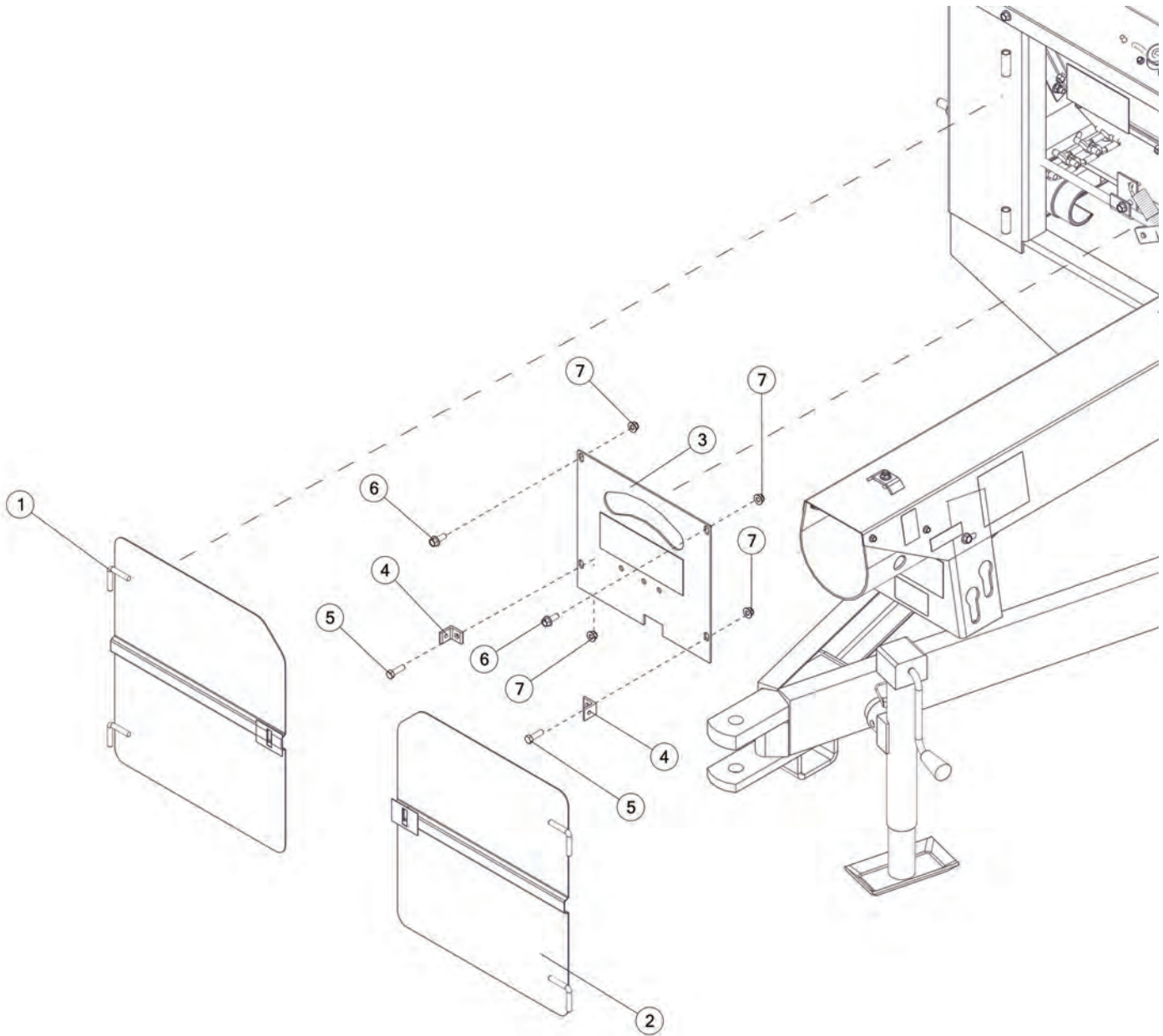
## JACK SHAFT SHIELD & COMPONENTS

REF #	PART #	DESCRIPTION	QTY
1	23N66B	JACK SHAFT SHIELD W/DECALS	1
2	F54	PTO RUBBER	1
3	23N152Z	COMPLETE PTO	1
4	12N116	JACK, 2000# SIDE WIND	1
5	12N117	JACK PIN, .56, 5.19	1
6	23N67	FRONT HOSE BRACKET	1
7	S122	LANYARD, CLIP PIN CABLE	2
8	YBFB12150	BOLT FLANGE, 3/8 X 1-1/2 G5	1
9	YBFB12003	BOLT FLANGE, 3/8 X 1 G5	4
10	YBFB08075	BOLT FLANGE, 1/4 X 3/4 G5	4
11	YNFG12006	NUT FLANGE, 3/8 GF	5
12	YNFG08010	NUT FLANGE, 1/4 GF	4
13	SC16100	SAFETY CHAIN 16,100 LB. RATING	1






# FIGURE 2 FRONT SHIELD & COMPONENTS





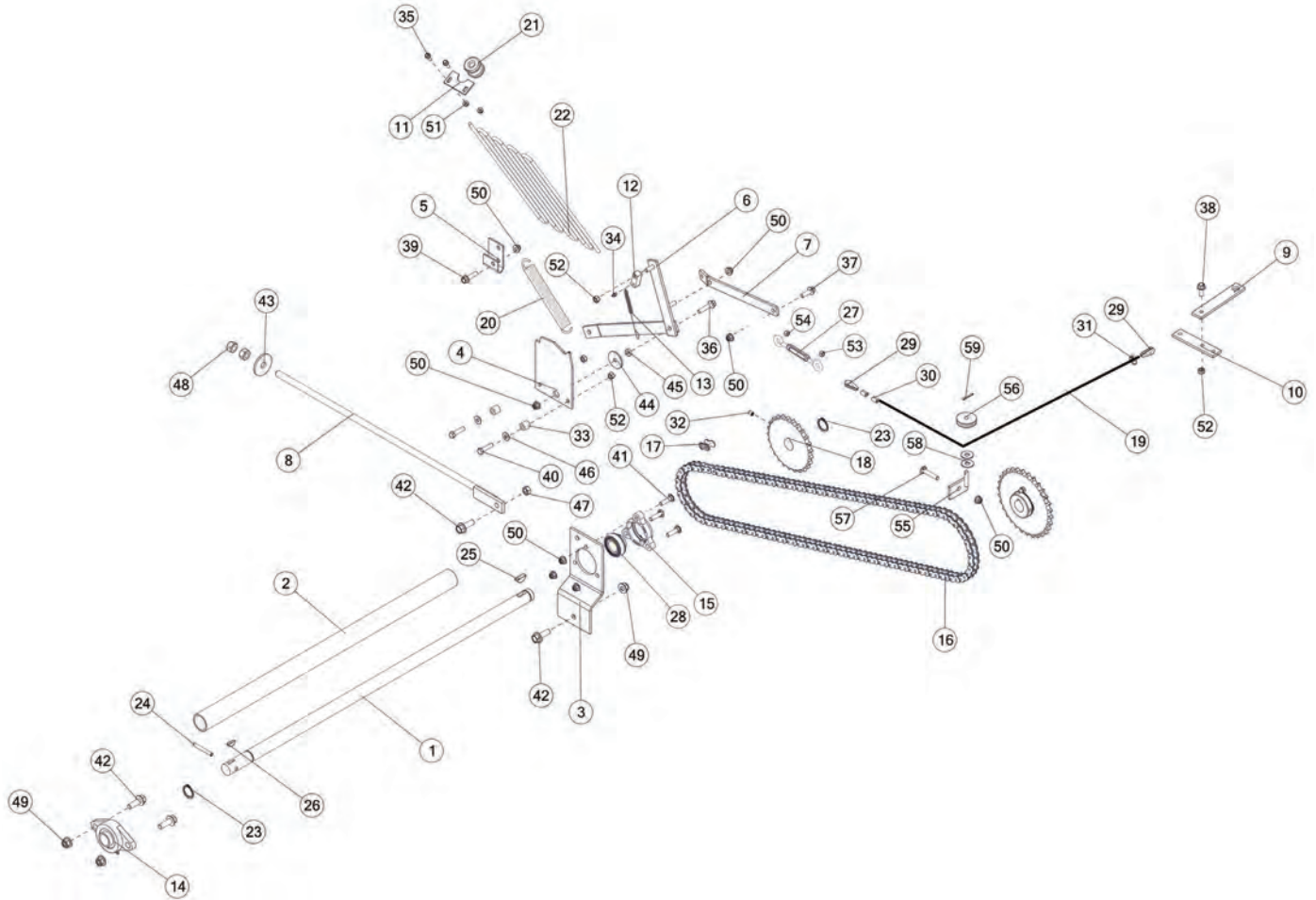
# FIGURE 2 FRONT SHIELD & COMPONENTS

REF #	PART #	DESCRIPTION	QTY
1	23N305B	FRONT SHIELD RH W/DECALS	1
2	23N306B	FRONT SHIELD LH W/DECALS	1
3	23N285	FRONT PANEL	1
4	F92	FRONT SHIELD BRACKET	2
5	YBHH12035	BOLT HEX, 3/8-16 X 1-1/4 G5	2
6	YBFB12003	BOLT FLANGE, 3/8 X 1 G5	2
7	YNFG12006	NUT FLANGE, 3/8 GF	4





**FIGURE 3**  
**SHIFTING LINKS & COMPONENTS**



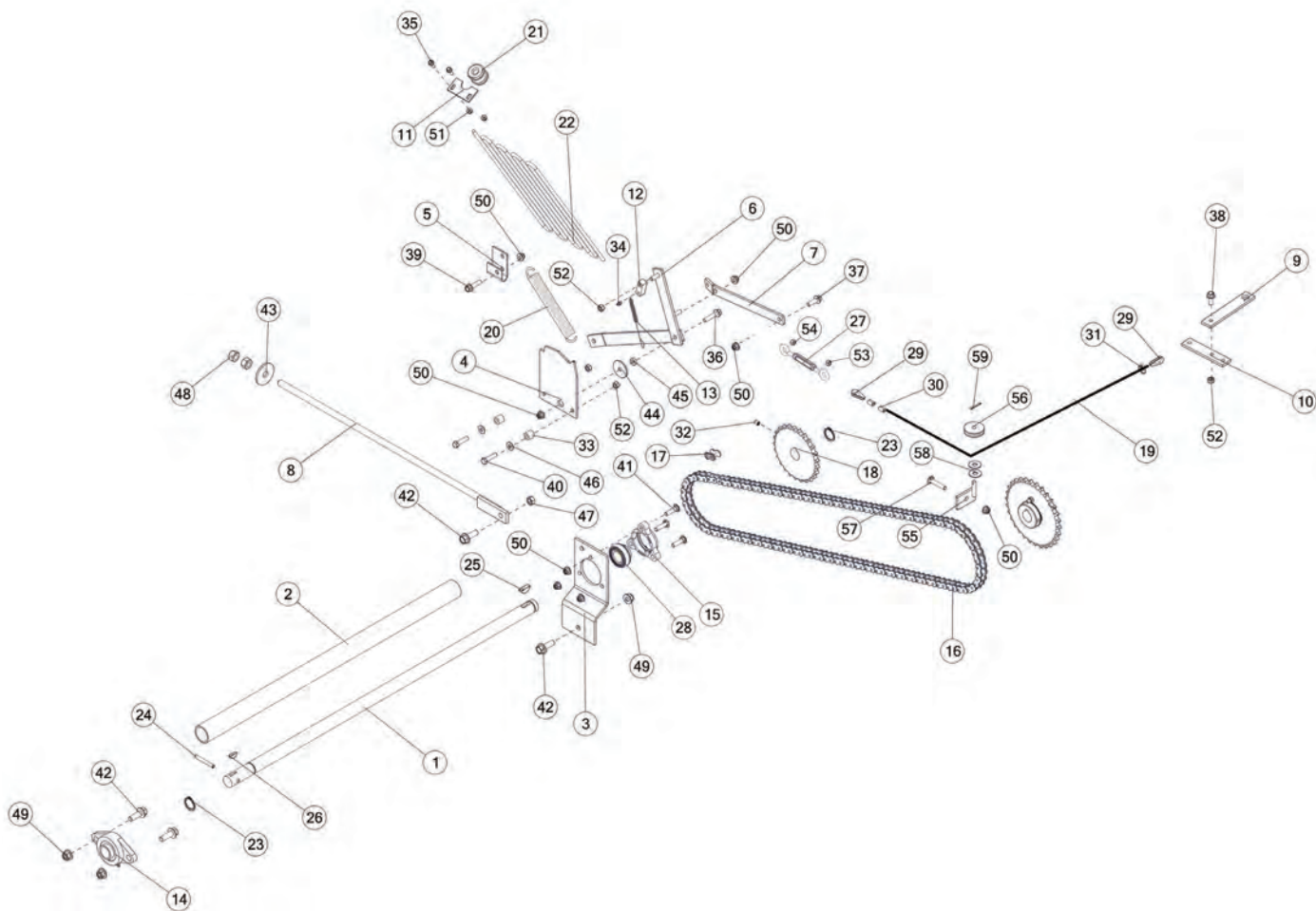


REF #	PART #	DESCRIPTION	QTY
1	23N72	FRONT SHAFT	1
2	37N74	FRONT SHAFT GUARD, 35.38	1
3	23N68	FRONT ADJUSTMENT PLATE	1
4	23N283	STOP BRACKET	1
5	23N287	SPRING BRACKET	1
6	23N280	SHIFTER LEVER	1
7	23N281	PIVOT LINK BRACKET	1
8	23N63	TIGHTENER ROD	1
9	23N289	SHIFTER ROD LEVER FULCRUM	1
10	23N290	SHIFTER ROD BRACKET	1
11	23N182	CABLE GUIDE BRACKET	1
12	23N282	SHIFTER DOG BRACKET, 5/8	1
13	23N284	SPRING, EXTENSION COIL, 5.50 X 6.95, 1.20	1
14	12N29	BEARING, FLANGE, 3.13 X 1.25 X 5.59	1
15	80662	BEARING, 1-1/4	1
16	23N245	ROLLER CHAIN, 124 PITCHES	1
17	D39	CONNECTOR LINK, #60	1
18	23N70	SPROCKET, 60 B 25 1.25 SHAFT	1
19	27N40	CABLE, 3/16 180	1
20	10R14	SPRING, COIL, 8.5 25 TENS	1
21	F33	SIDE CABLE GUIDE	1
22	77192	ROPE, 5/16 180	1
23	F73	SNAP RING, 1-1/4	2
24	YPEx10250	EXPANSION PIN, 5/16 X 2-1/2	1
25	5B9	WOODRUFF KEY, 3/8 X 1-1/4	1
26	5B10	WOODRUFF KEY, 1/4 X 1	1
27	F84	TURNBUCKLE	1
28	80659	BEARING, 1-1/4	2
29	ES14	THIMBLE	2
30	71279	SLEEVE, .13 X .63	2
31	BFR220	CABLE CLAMP, 3/16	1
32	YSKP12010	SET SCREW, SCKT, KNURLED CUP PT, 3/8-16 X 1/2	1
33	ST81	EXTENSION SPACER, 11/16	2
34	G89	STRAIGHT ZERK, 1/4-28	1
35	YBFB08075	BOLT FLANGE, 1/4 X 3/4 G5	2
36	YBFB12175	BOLT FLANGE, 3/8 X 1-3/4 G5	1
37	YBFB12125	BOLT FLANGE, 3/8 X 1-1/4 G5	1
38	YBFB12003	BOLT FLANGE, 3/8 X 1 G5	1
39	YBFB12150	BOLT FLANGE, 3/8 X 1-1/2 G5	1





**FIGURE 3**  
**SHIFTING LINKS & COMPONENTS**





# FIGURE 3

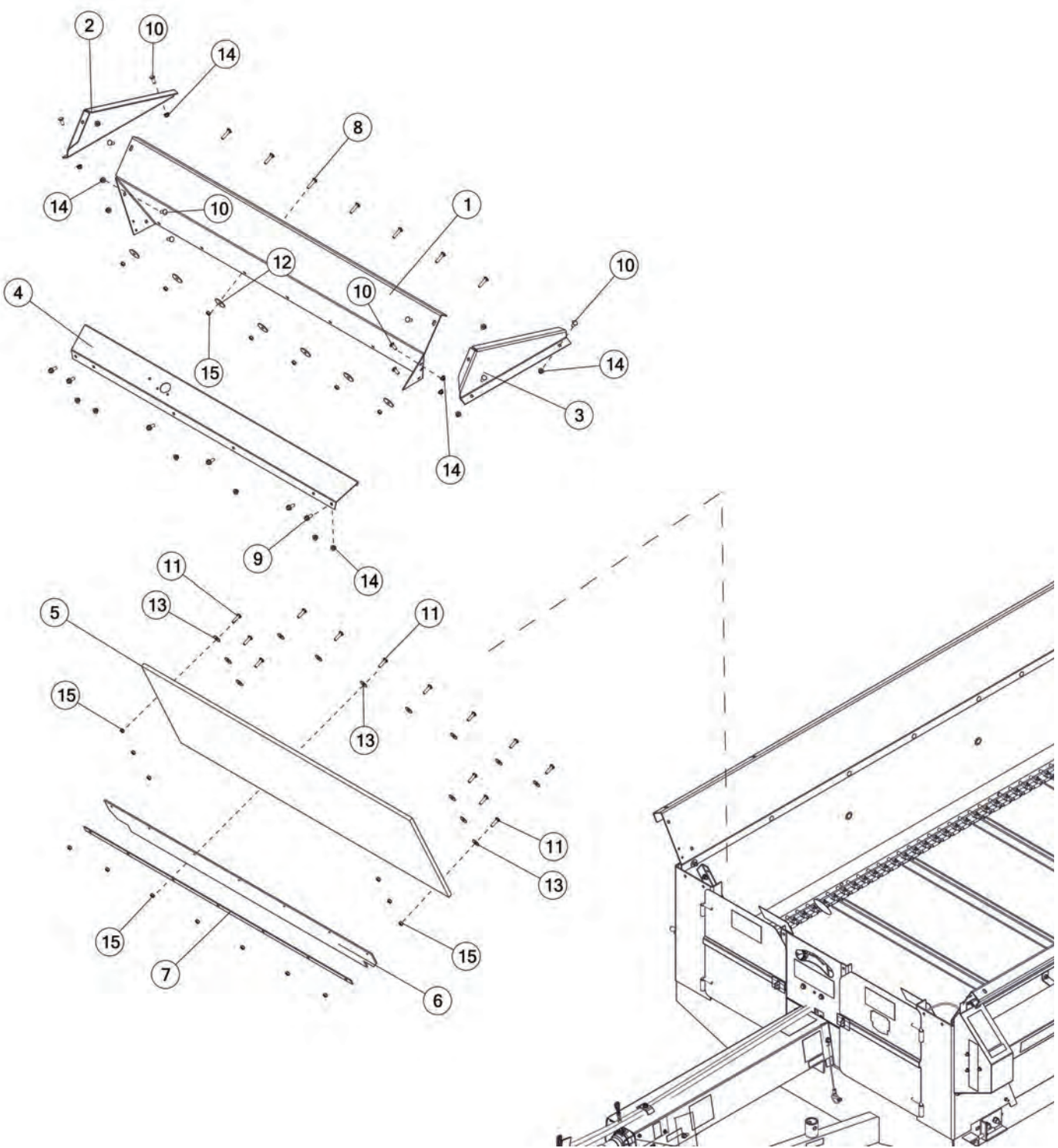
## SHIFTING LINKS & COMPONENTS

REF #	PART #	DESCRIPTION	QTY
40	YBHH12027	BOLT HEX, 3/8-16 X 1-1/2 G5	2
41	YBCR12015	BOLT CARRIAGE, 3/8-16 X 1-1/2 G5 ZC	3
42	YBFB16150	BOLT FLANGE, 1/2 X 1-1/2 G5	4
43	F129	TIGHTENER WASHER	1
44	YWCU12005	WASHER, CUST, FLAT, .435 ID. X 1-7/8 OD X .125 ZC	1
45	23N297	TUBE, ROUND, STR, .75 X .19 X .21 DOM	1
46	YWFL10005	WASHER, FLAT, 5/16	2
47	YNL16005	NUT HEX, 1/2-13 LKTL ZC	1
48	YNHX20005	NUT HEX, 5/8-11 ZC	2
49	YNFG16003	NUT FLANGE, 1/2 GF	3
50	YNFG12006	NUT FLANGE, 3/8 GF	6
51	YNFG08010	NUT FLANGE, 1/4 GF	2
52	YNRL12005	NUT HEX, 3/8-16 LKRS ZC	3
53	YNHX10005	NUT HEX, 5/16-18 ZC	1
54	YNHX10015	NUT HEX, 5/16-18 G2 ZC LH	1
55	23N252	PULLEY MOUNT	1
56	23N251	POLY PULLEY	1
57	YBCR12035	BOLT CARRIAGE, 3/8 X 2 G5	1
58	YWFL14005	WASHER FLAT, 7/16	2
59	YPCT05005	COTTER PIN, 5/32 X 1	1





**FIGURE 4**  
**SPLASH GUARD & COMPONENTS**





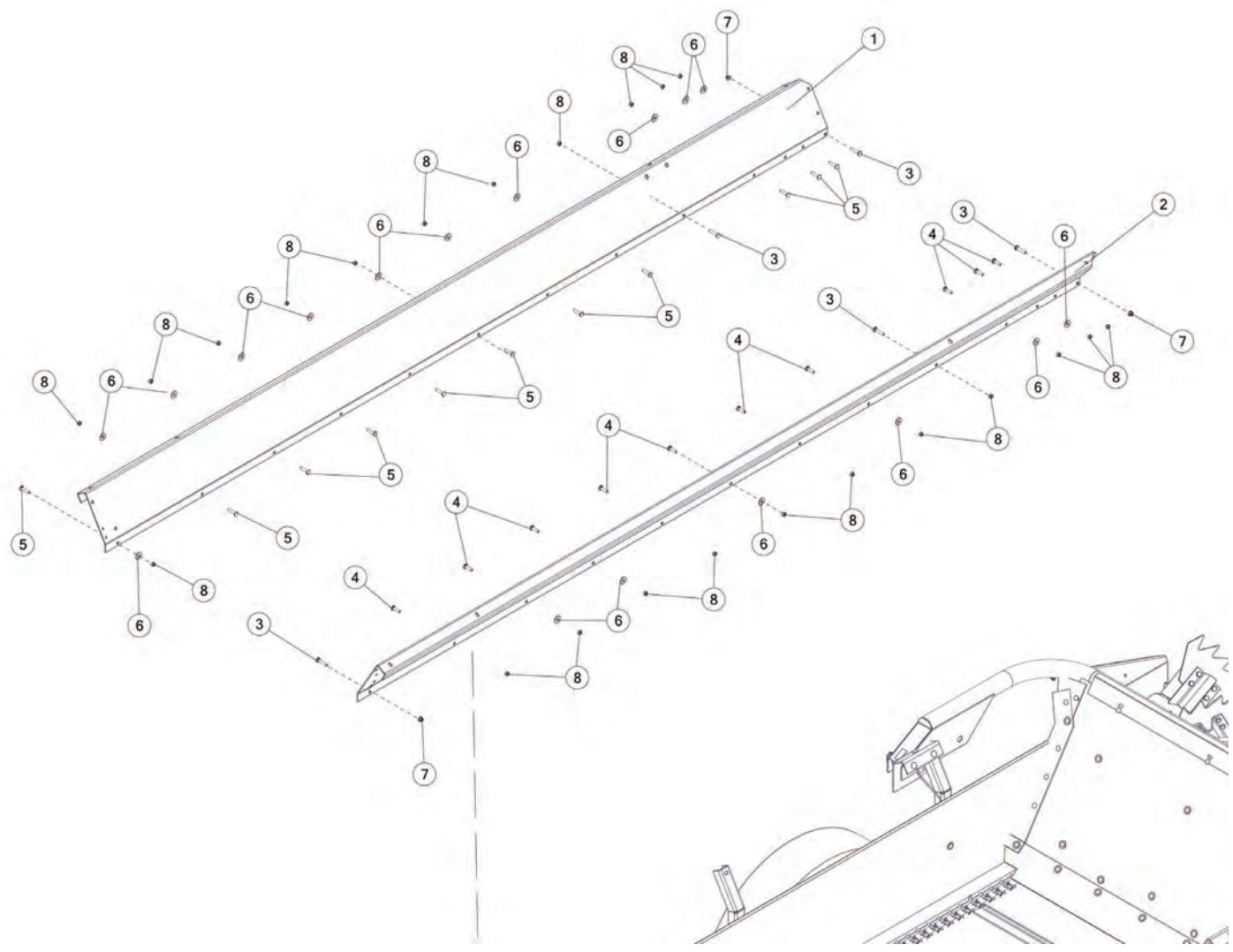
# FIGURE 4 SPLASH GUARD & COMPONENTS

REF #	PART #	DESCRIPTION	QTY
1	23N34B	FRONT FLARE W/DECALS	1
2	23N43	SPLASH GUARD RH	1
3	23N42	SPLASH GUARD LH	1
4	23N176B	FRONT FLARE SUPPORT W/DECALS	1
5	23N270AB	FRONT GATE W/DECALS	1
6	23N41	FRONT GATE RUBBER	1
7	23N40	STRAP FOR RUBBER	1
8	YBCR12030	BOLT CARRIAGE, 3/8-16 X 1-3/4 G5 ZC	7
9	YBFB12003	BOLT FLANGE, 3/8 X 1 G5	6
10	YBCR12010	BOLT CARRIAGE, 3/8-16 X 1 G5 ZC	8
11	YBCR12015	BOLT CARRIAGE, 3/8-16 X 1-1/2 G5 ZC	13
12	YWCU12005	WASHER, CUST, FLAT, .435 ID. X 1-7/8 OD. X .125 ZC	7
13	YWFL14005	WASHER, FLAT, 7/16 ZC	13
14	YNFG12006	NUT FLANGE, 3/8 GF	14
15	YNHX12005	NUT HEX, 3/8-16 ZC	20





# FIGURE 5 SIDE FLARES & COMPONENTS





# FIGURE 5

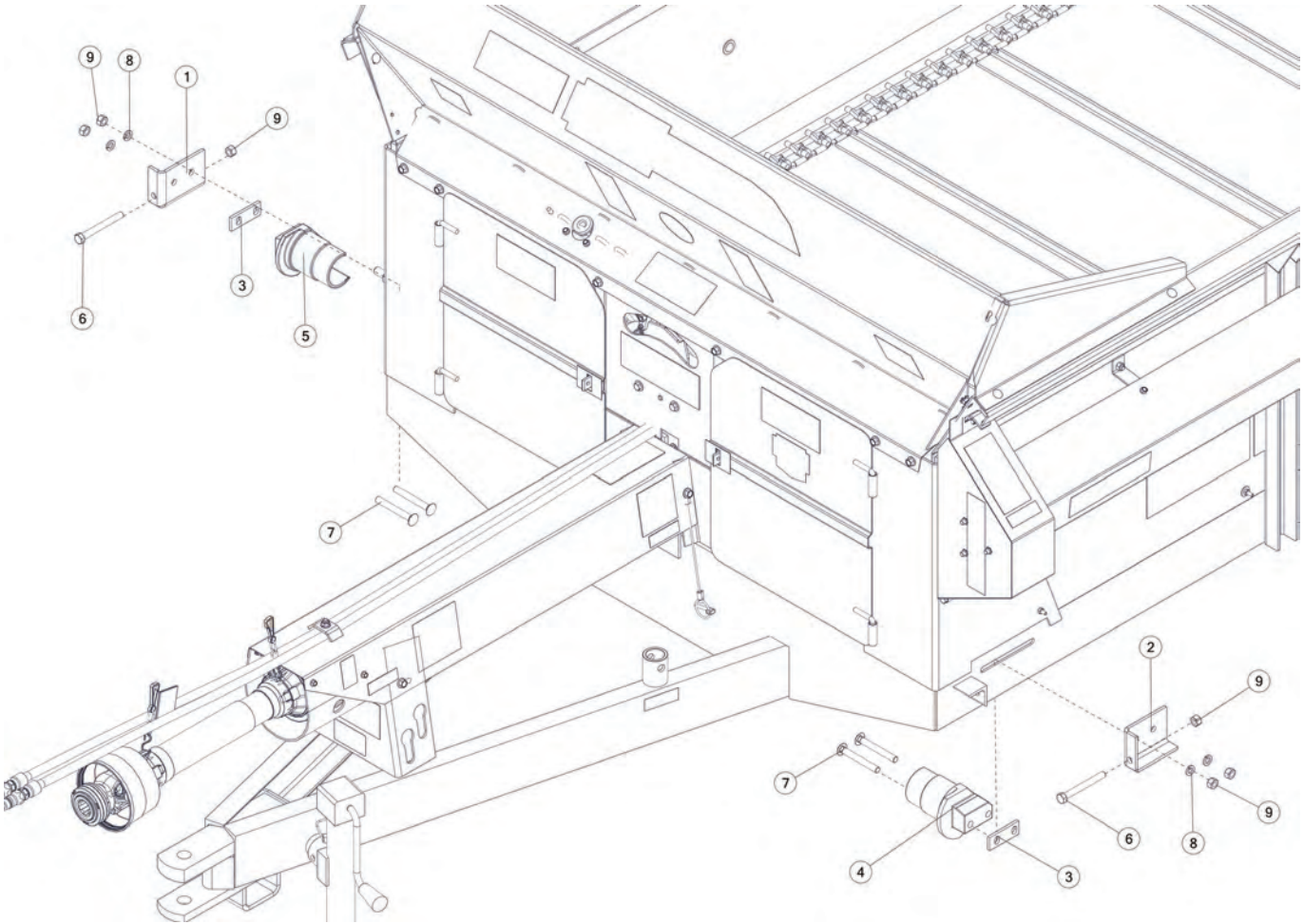
## SIDE FLARES & COMPONENTS

REF #	PART #	DESCRIPTION	QTY
1	27N24	SIDE FLARE, RH	1
2	27N25	SIDE FLARE, LH	1
3	YBCR12035	BOLT CARRIAGE, 3/8-16 X 2 G5 ZC	5
4	YBCR12015	BOLT CARRIAGE, 3/8-16 X 1-1/2 G5 ZC	9
5	YBCR12030	BOLT CARRIAGE, 3/8-16 X 1-3/4 G5 ZC	11
6	YWFL14005	WASHER, FLAT, 7/16 ZC	17
7	YNFG12006	NUT FLANGE, 3/8 GF	3
8	YNHX12005	NUT HEX, 3/8-16 ZC	23





# FIGURE 6 APRON CHAIN TIGHTENERS & COMPONENTS





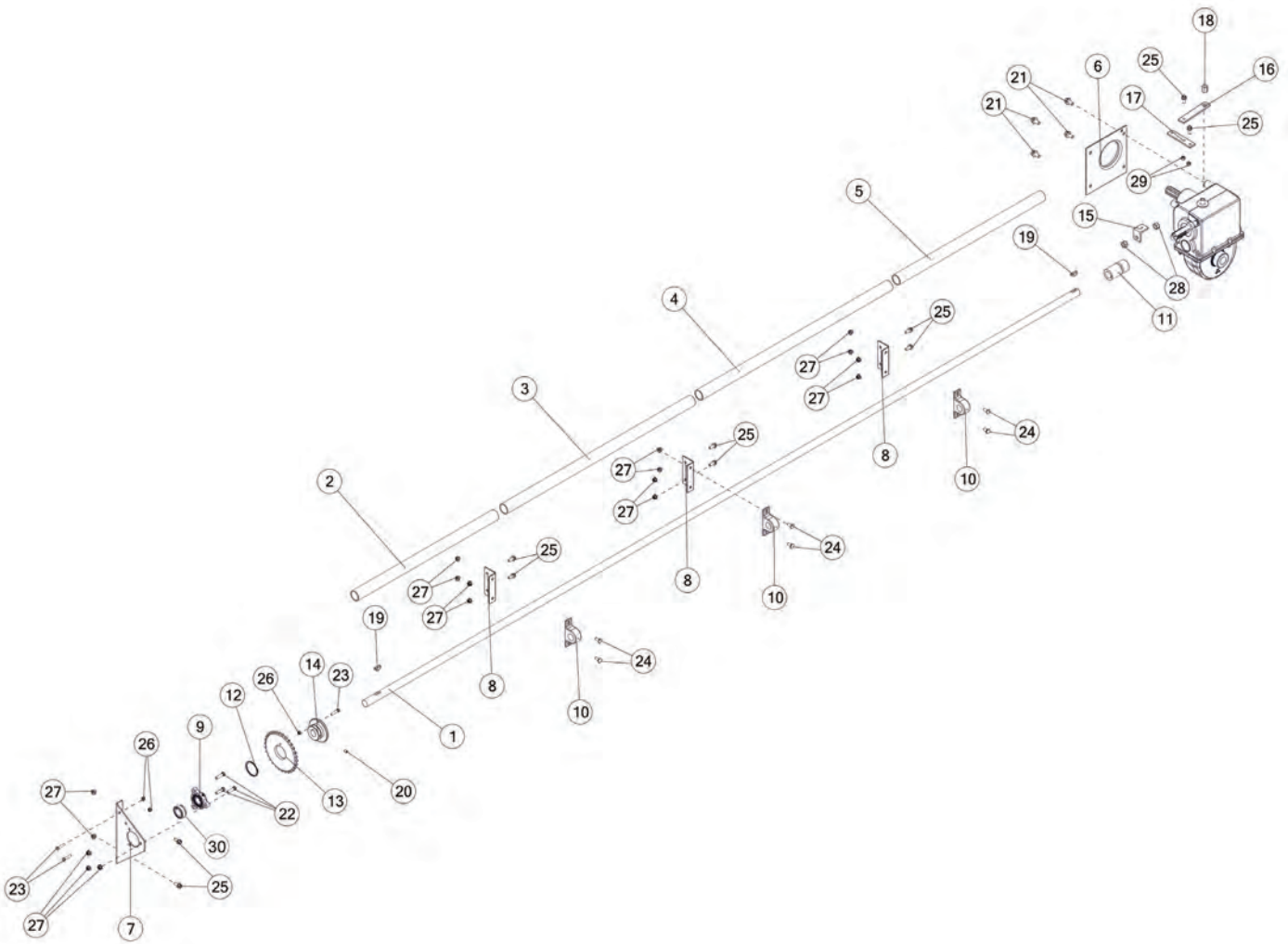


REF #	PART #	DESCRIPTION	QTY
1	A30	FRAME WASHER RH	1
2	A29	FRAME WASHER LH	1
3	23N126	APRON CHAIN TIGHTENER	2
4	23N127	T-ROD SLIDE LH	1
5	23N128	T-ROD SLIDE RH	1
6	YBHH16145	BOLT HEX, 1/2 X 4-1/2 G5 FULL THREAD	2
7	YBCR16045	BOLT CARRIAGE, 1/2-13 X 4 G5 ZC	4
8	YWLO16005	WASHER, LOCK, 1/2	4
9	YNHX16005	NUT HEX, 1/2-13 ZC	6





# FIGURE 7 SIDE SHAFT & COMPONENTS



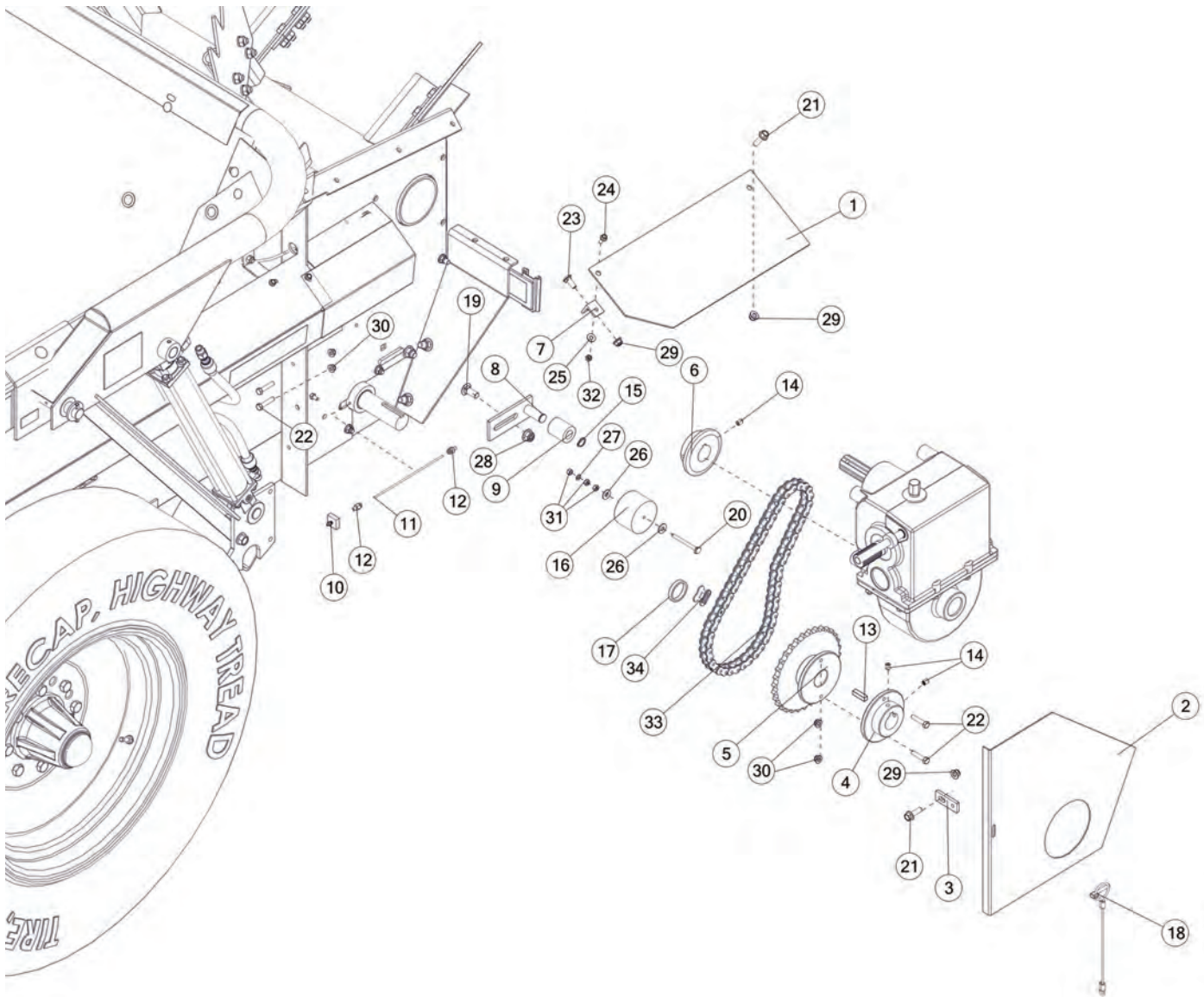


# FIGURE 7

## SIDE SHAFT & COMPONENTS

REF #	PART #	DESCRIPTION	QTY
1	27N33	SIDE SHAFT	1
2	27N41	#1 SIDE SHAFT GUARD	1
3	27N42	#2 SIDE SHAFT GUARD	1
4	27N43	#3 SIDE SHAFT GUARD	1
5	27N44	#4 SIDE SHAFT GUARD	1
6	17G10	ANTI WRAP GUARD LH	1
7	23N254B	SIDE BEARING PANEL W/DECALS	1
8	23N269	BEARING BRACKET	3
9	80662	BEARING, 1-1/4	1
10	12N36	BEARING, PILLOW BLOCK 1-1/4	3
11	17G65	COUPLER	1
12	23N189	SNAP RING, EXTERNAL, 2.44	1
13	23N191	SPROCKET, 60, A, 30, 2.625 SHAFT	1
14	23N190	SHEAR HUB	1
15	23N291	BRACKET, ROD, SHIFTER	1
16	23N289	SHIFTER ROD LEVER FULCRUM	1
17	23N290	BRACKET, SHIFTER ROD	1
18	17G58	VENT CAP	1
19	5B9	WOODRUFF KEY, 3/8 X 1-1/4	2
20	YSKP12010	SET SCRW, SOCKET, KNURLED CUP PT, 3/8-16 X 1/2	1
21	YBFB16100	BOLT FLANGE, 1/2 X 1 G5	4
22	YBHH12025	BOLT HEX, 3/8-16 X 1-1/2 G5	3
23	YBHH10030	BOLT HEX, 5/16-18 X 1-1/2 G5	3
24	YBCR12010	BOLT CARRIAGE, 3/8-16 X 1 G5 ZC	6
25	YBFB12003	BOLT FLANGE, 3/8 X 1 G5	10
26	YNNY10005	NUT HEX, 5/16-18 LKNY G2 ZC	3
27	YNFG12006	NUT FLANGE, 3/8 GF	14
28	YNHX20005	NUT HEX, 5/8-11 ZC	2
29	YNRL12005	NUT HEX, 3/8-16 LKRS ZC	2
30	80659	BEARING, 1-1/4	1







# FIGURE 8

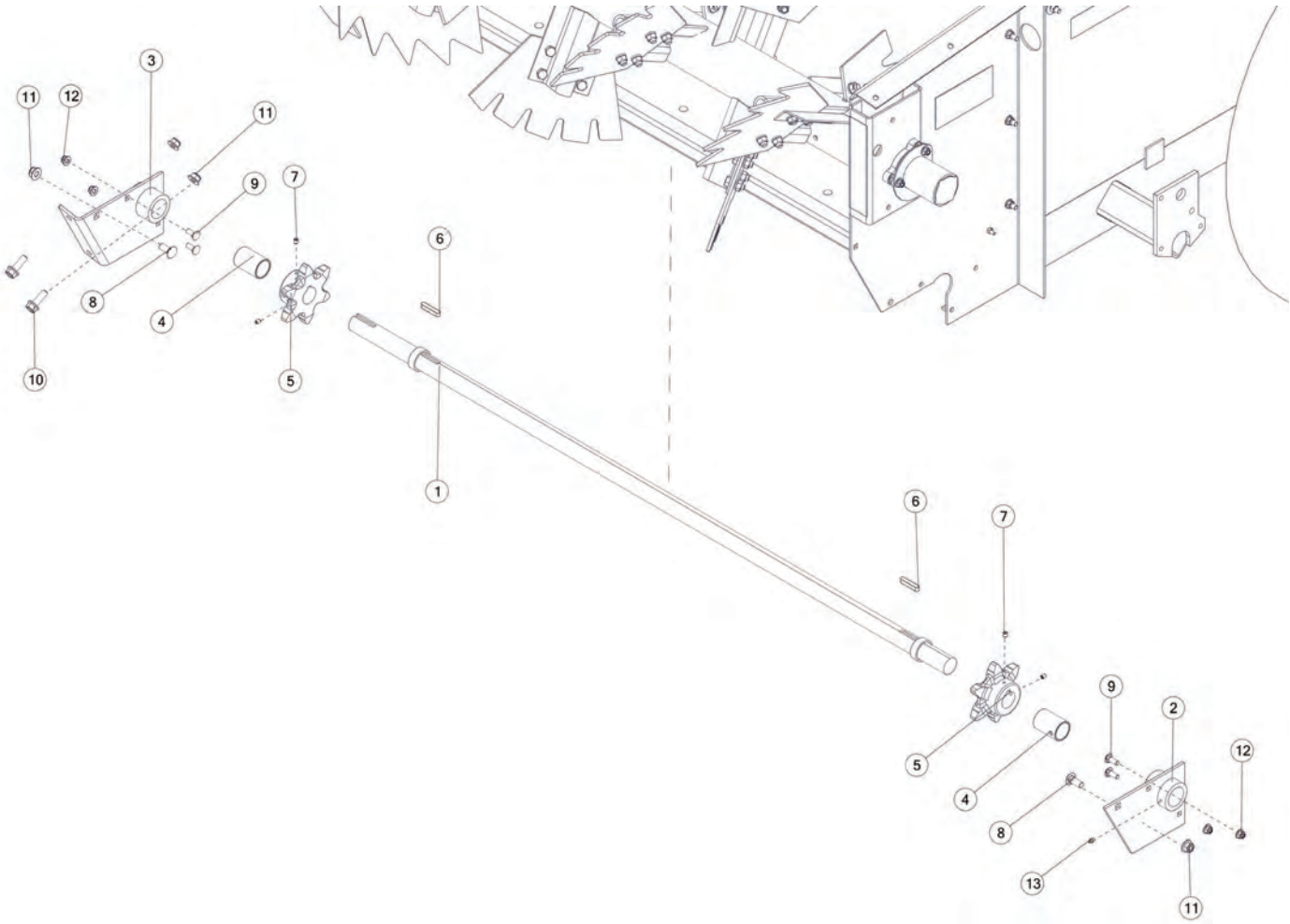
## REAR DRIVE SHIELD & COMPONENTS

REF #	PART #	DESCRIPTION	QTY
1	23N250B	SHIELD W/DECALS	1
2	23N261B	DRIVE SHIELD W/DECALS	1
3	23N64	FRONT SHIELD BRACKET	1
4	17G71	BACK SHEAR HUB	1
5	17G68	SHEAR HUB SPROCKET	1
6	17G67	SPROCKET, 60, B, 16, 1.50 SHAFT	1
7	F92	FRONT SHIELD BRACKET	1
8	17G69	REAR, CHAIN	1
9	23N238	CHAIN TIGHTENER ROLLER	1
10	16V9	ZERK BRACKET AND ZERK	1
11	23N256	GREASE LINE	1
12	S47	GREASE LINE FITTING	2
13	A32	SQUARE KEY, 3/8 X 1-3/8	1
14	YSKP12010	SET SCREW, SCKT, KNURLED CUP PT, 3/8-16 X 1/2	3
15	10R32	SNAP RING, EXTERNAL, .7	1
16	23N258	CHAIN OILER	1
17	23N266	DRIVE SHAFT SPACER	1
18	S122	LANYARD, CLIP PIN CABLE	1
19	YBCR16015	BOLT CARRIAGE, 1/2-13 X 1-1/4 G5 ZC	1
20	YBCR08050	BOLT CARRIAGE, 1/4-20 X 3 G5 ZC	1
21	YBFB12125	BOLT FLANGE, 3/8 X 1-1/4 G5	2
22	YBHH10030	BOLT HEX, 5/16-18 X 1-1/2 G5	4
23	YBCR12010	BOLT CARRIAGE, 3/8-16 X 1 G5 ZC	1
24	YBFB08075	BOLT FLANGE, 1/4 X 3/4 G5	1
25	YWFL08005	WASHER, FLAT, 1/4	1
26	YWFL10005	WASHER, FLAT, 5/16	2
27	YWLO08005	WASHER, LOCK, 1/4 ZC	1
28	YNFG16003	NUT FLANGE, 1/2 GF	1
29	YNFG12006	NUT FLANGE, 3/8 GF	3
30	YNFG10005	NUT FLANGE, 5/16 GF	4
31	YNHX08005	NUT HEX, 1/4-20 ZC	3
32	YNHX08010	NUT HEX, 1/4-20 G8 ZY	1
33	23N260	ROLLER CHAIN, #60	1
34	D39	CONNECTOR LINK, #60	1





# FIGURE 9 DRIVE SHAFT & COMPONENTS





**FIGURE 9**  
**DRIVE SHAFT & COMPONENTS**

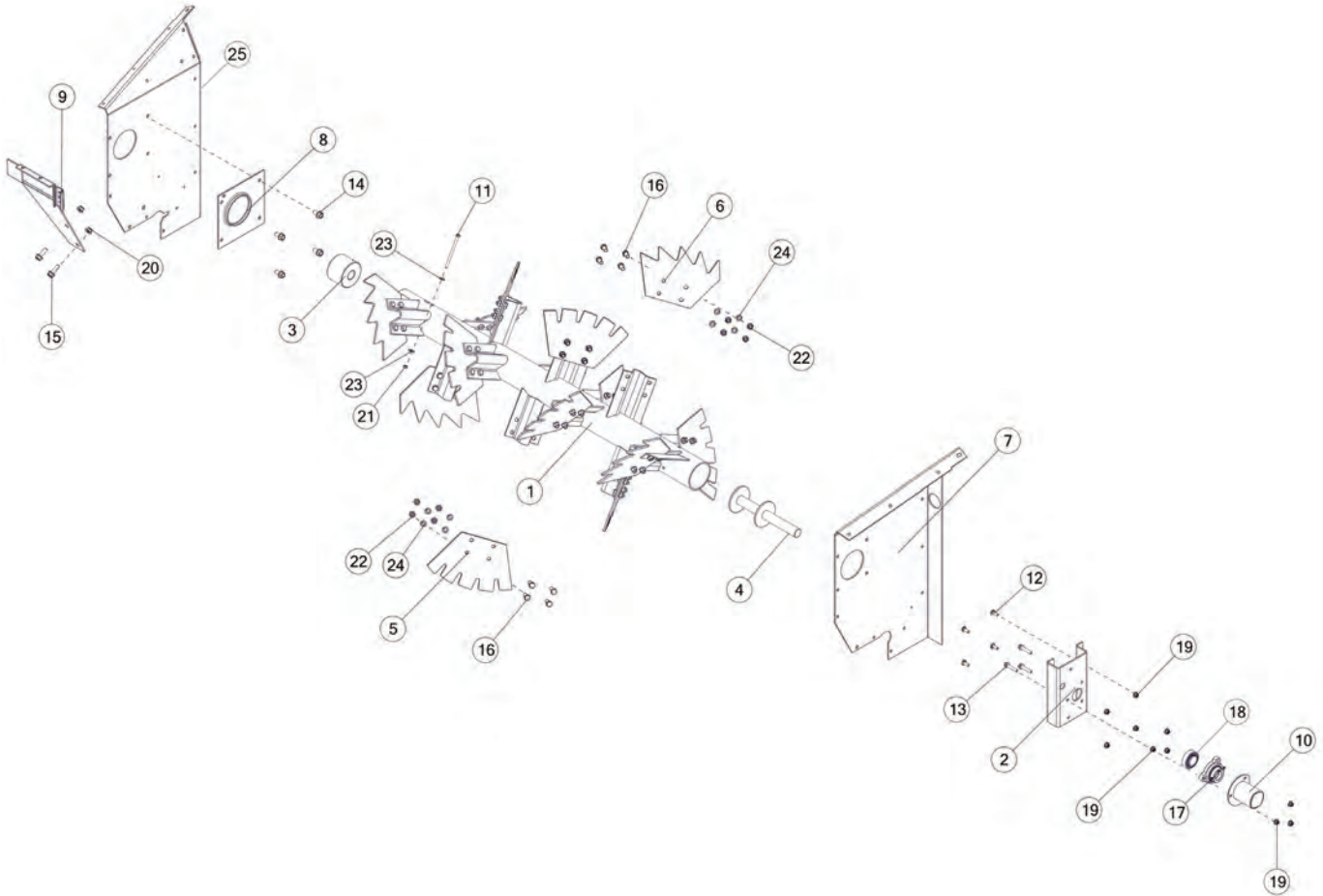
REF #	PART #	DESCRIPTION	QTY
1	27N35	DRIVE SHAFT, 1-1/2 X 68	1
2	23N19	DRIVE SHAFT BRACKET RH	1
3	23N257	DRIVE SHAFT BRACKET LH	1
4	23N17	BUSHING, DRIVE SHAFT	2
5	23N122	DRIVE SPROCKET, 6T	2
6	PB136	SQUARE KEY, 3/8 X 2	2
7	YSKP12025	SET SCREW, SCKT, KNURLED CUP PT, 3/8-16 X 3/8	4
8	YBCR16015	BOLT CARRIAGE, 1/2-13 X 1-1/4 G5 ZC	2
9	YBCR12010	BOLT CARRIAGE, 3/8-16 X 1 G5 ZC	4
10	YBFB16150	BOLT FLANGE, 1/2 X 1-1/2 G5	2
11	YNFG16003	NUT FLANGE, 1/2 GF	2
12	YNFG12006	NUT FLANGE, 3/8 GF	4
13	G89	STRAIGHT ZERK, 1/4-28	1





# FIGURE 10

## BOTTOM BEATER & COMPONENTS







# FIGURE 10

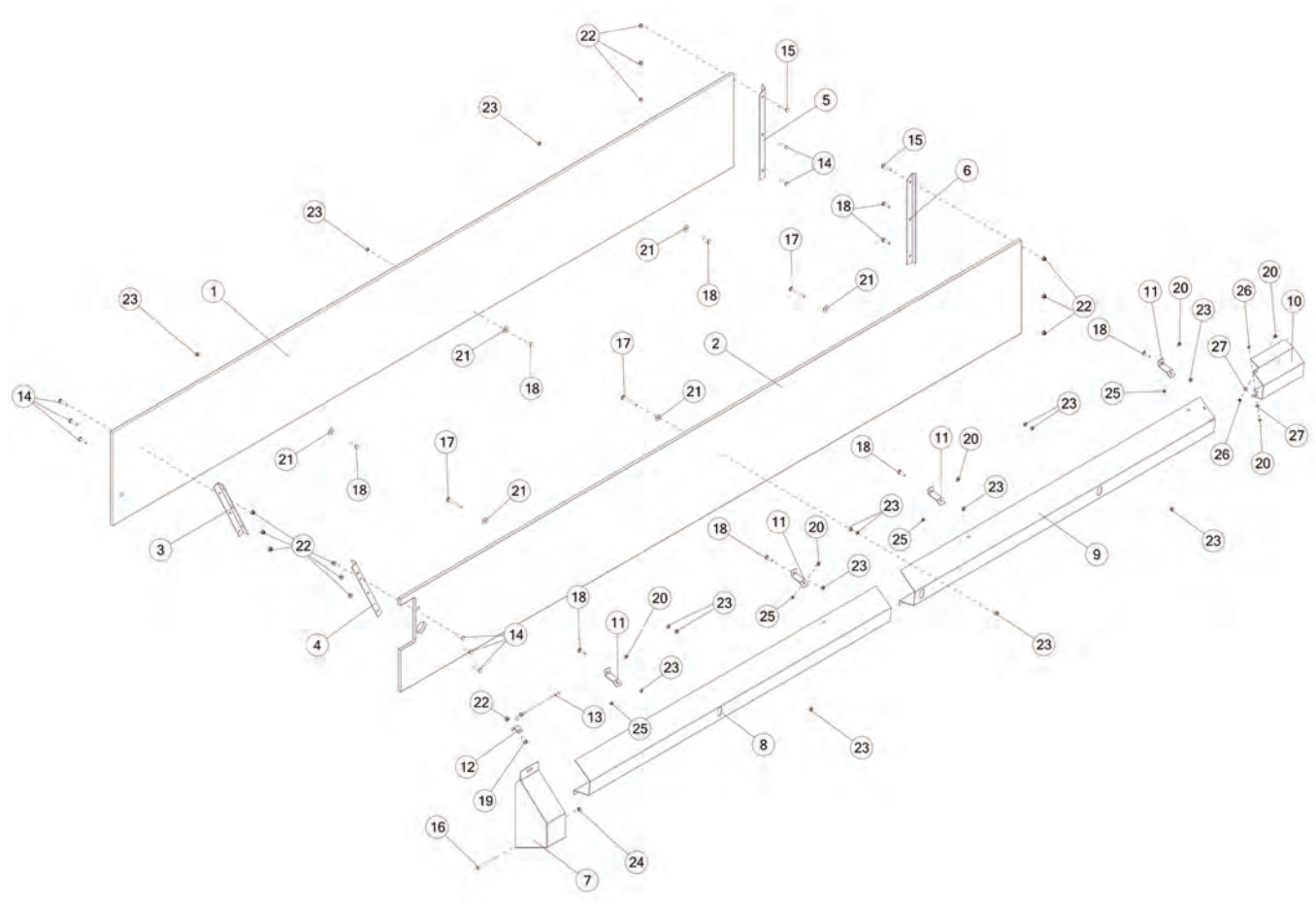
## BOTTOM BEATER & COMPONENTS

REF #	PART #	DESCRIPTION	QTY
1	81158	BEATER	1
2	80794B	SHAFT SUPPORT W/DECALS	1
3	23N2	SPLINE PIPE END	1
4	80791	BEATER STUB SHAFT	1
5	23N276	BEATER BLADE	6
6	23N277	BEATER BLADE, HARDENED	8
7	23N265B	MAIN PANEL, SIDE RH W/DECALS	1
8	17G10	ANTI WRAP GUARD LH	1
9	23N259B	GEARBOX BRACE W/DECALS	1
10	82910	BEARING FLANGE GUARD	1
11	YBHH10130	BOLT HEX, 5/16 X 5 G5	1
12	YBCR12010	BOLT CARRIAGE, 3/8-16 X 1 G5 ZC	4
13	YBHH12080	BOLT HEX, 3/8-16 X 2 G5 ZC	3
14	YBFB16100	BOLT FLANGE, 1/2 X 1 G5	4
15	YBFB16150	BOLT FLANGE, 1/2 X 1-1/2 G5	2
16	YBHH16045	BOLT HEX, 1/2-13 X 1-1/4 G5	56
17	80725	BEATER BEARING	1
18	80894	BEARING INSERT	1
19	YNFG12006	NUT FLANGE, 3/8 GF	10
20	YNFG16003	NUT FLANGE, 1/2 GF	2
21	YNRL10005	NUT HEX, 5/16-18 LKRS ZC	1
22	YNRL16005	NUT HEX, 1/2-13 LKTL ZC	56
23	YWFL10005	WASHER, FLAT, 5/16	2
24	YWLO16005	WASHER, LOCK, 1/2	56
25	23N264B	MAIN PANEL, SIDE LH W/DECALS	1





# FIGURE 11 SIDE PANELS & COMPONENTS





# FIGURE 11

## SIDE PANELS & COMPONENTS

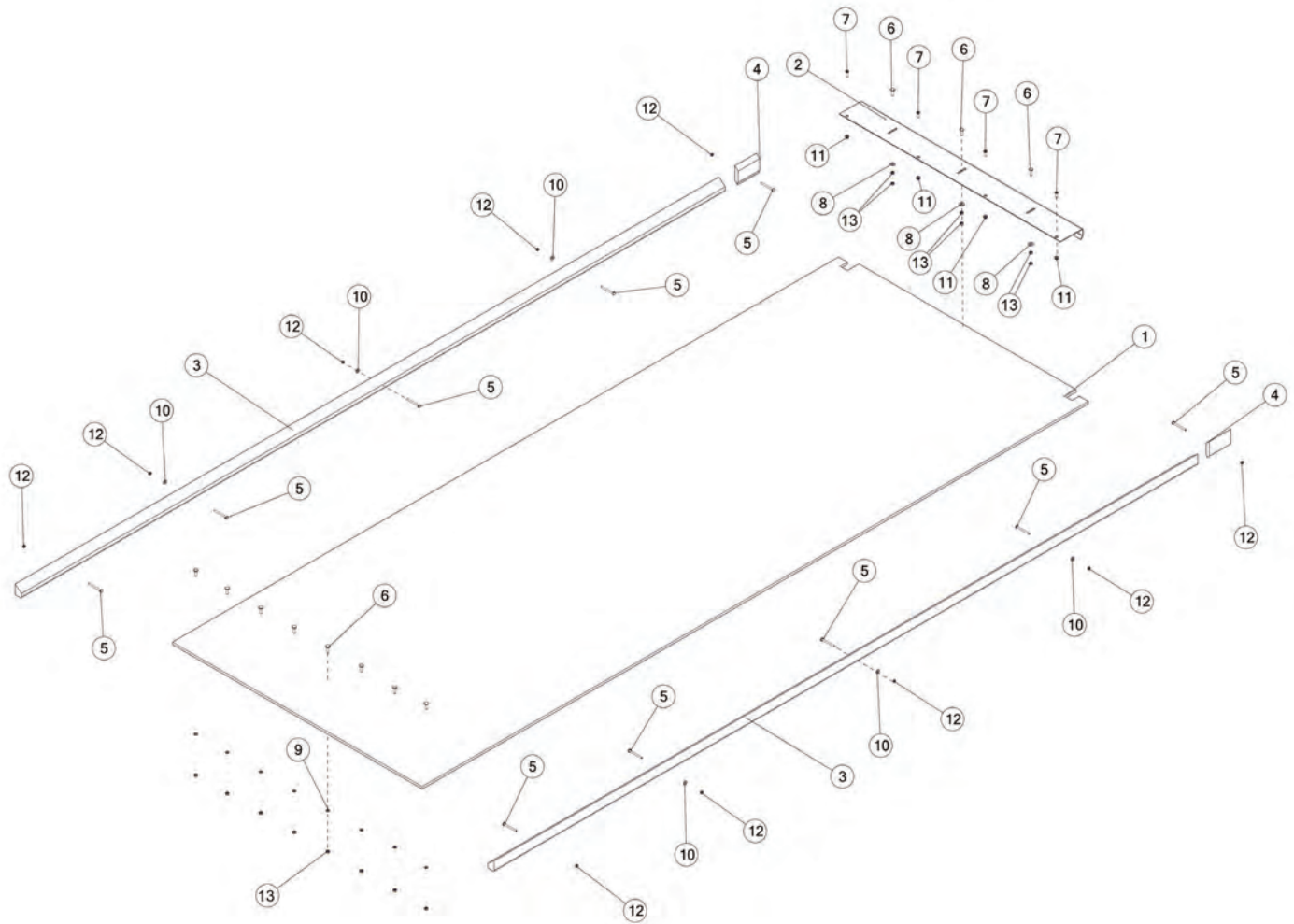
REF #	PART #	DESCRIPTION	QTY
1	27N37AB	FRP PANEL, SIDE RH W/DECALS	1
2	27N38AB	FRP PANEL, SIDE LH W/DECALS	1
3	23N35	GATE ANGLE RH	1
4	23N36	GATE ANGLE LH	1
5	23N13	SIDE POLY HOLDOWN RH	1
6	23N14	SIDE POLY HOLDOWN LH	1
7	22G21B	SHIELD W/DECALS	1
8	27N39B	SIDE SHIELD FRONT W/DECALS	1
9	27N34B	SIDE SHIELD BACK W/DECALS	1
10	23N292	SHAFT SHIELD	1
11	23N248	SIDE SHIELD BRACKET	4
12	23N242	SHIELD ANGLE	1
13	S122	LANYARD, CLIP PIN CABLE	1
14	YBCR12030	BOLT CARRIAGE, 3/8-16 X 1-3/4 G5 ZC	5
15	YBCR12035	BOLT CARRIAGE, 3/8-16 X 2 G5 ZC	2
16	YBHH12185	BOLT HEX, 3/8 X 4-1/2 G5	1
17	YBCR12070	BOLT CARRIAGE, 3/8-16 X 3-1/2 G5 ZC	3
18	YBCR12015	BOLT CARRIAGE, 3/8-16 X 1-1/2 G5 ZC	9
19	YBHH12035	BOLT HEX, 3/8 X-1-1/4 G5	1
20	YBFB08075	BOLT FLANGE, 1/4 X 3/4 G5	6
21	YWFL14005	WASHER FLAT, 7/16 ZC	6
22	YNFG12006	NUT FLANGE, 3/8 GF	13
23	YNHX12005	NUT HEX, 3/8-16 ZC	16
24	YNRL12005	NUT HEX, 3/8-16 LKRS ZC	1
25	YNFG08010	NUT FLANGE, 1/4 GF	4
26	YNHX08010	NUT HEX, 1/4-20 G8 ZY	2
27	YWFL08005	WASHER FLAT, 1/4	2





# FIGURE 12

## FLOOR & COMPONENTS





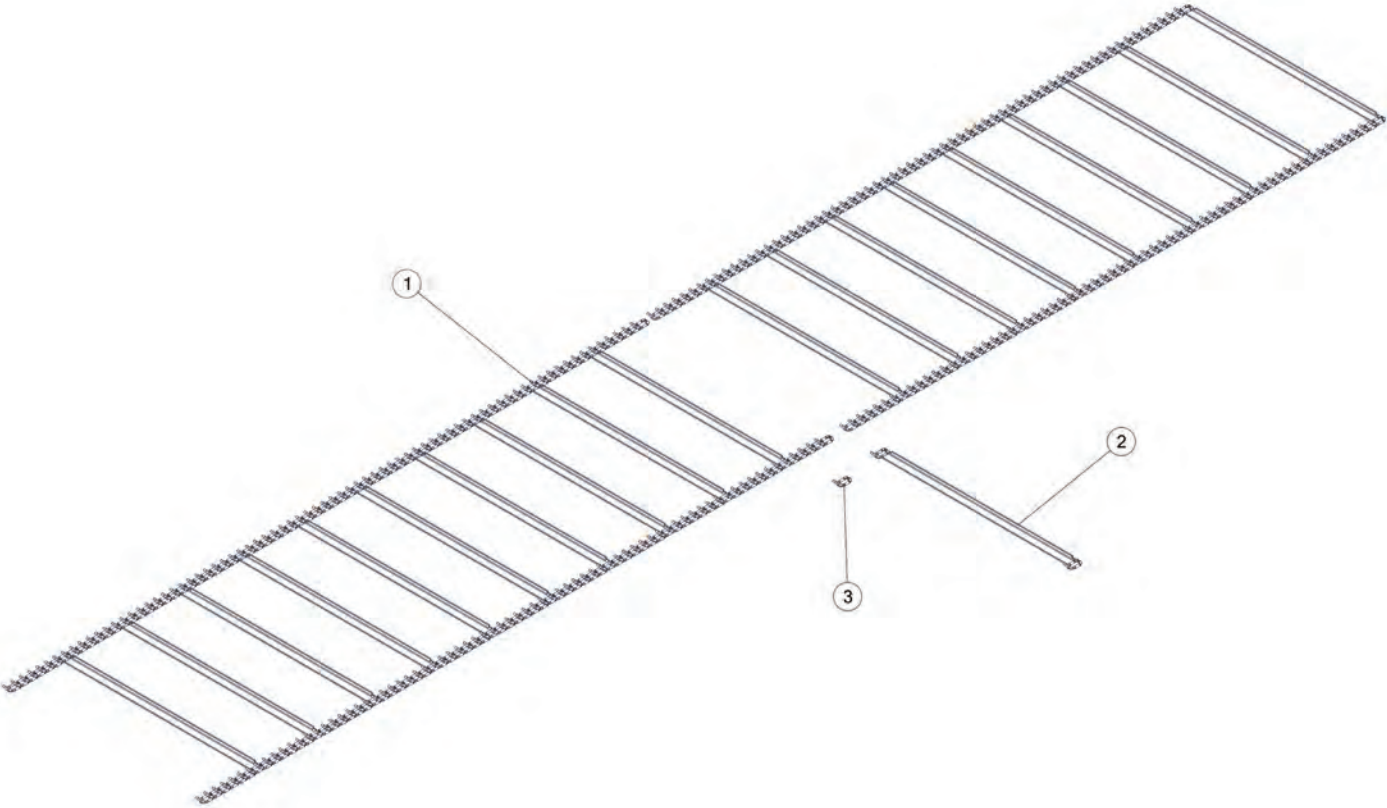
# FIGURE 12 FLOOR & COMPONENTS

REF #	PART #	DESCRIPTION	QTY
1	93582	POLY PANEL, FLOOR	1
2	37N82	DRIVE SHAFT SHIELD	1
3	27N21	APRON CHAIN SIDE SPACER	2
4	75562	SPACER BLOCK W/O HOLE RH	2
5	YBCR08050	BOLT CARRIAGE, 1/4-20 X 3 G5 ZC	10
6	YBCR10020	BOLT CARRIAGE, 5/16-18 X 1-1/4 G5 ZC	11
7	YSFM10005	FLAT HEAD MACH, SCREW, 5/16 X 1	4
8	YWFL10005	WASHER, FLAT, 5/16	3
9	YWLO10005	WASHER, LOCK, 5/16	8
10	YWFL08005	WASHER, FLAT, 1/4	6
11	YNFG10005	NUT FLANGE, 5/16 GF	4
12	YNHX08005	NUT HEX, 1/4 G5	10
13	YNHX10005	NUT HEX, 5/16 G2	14





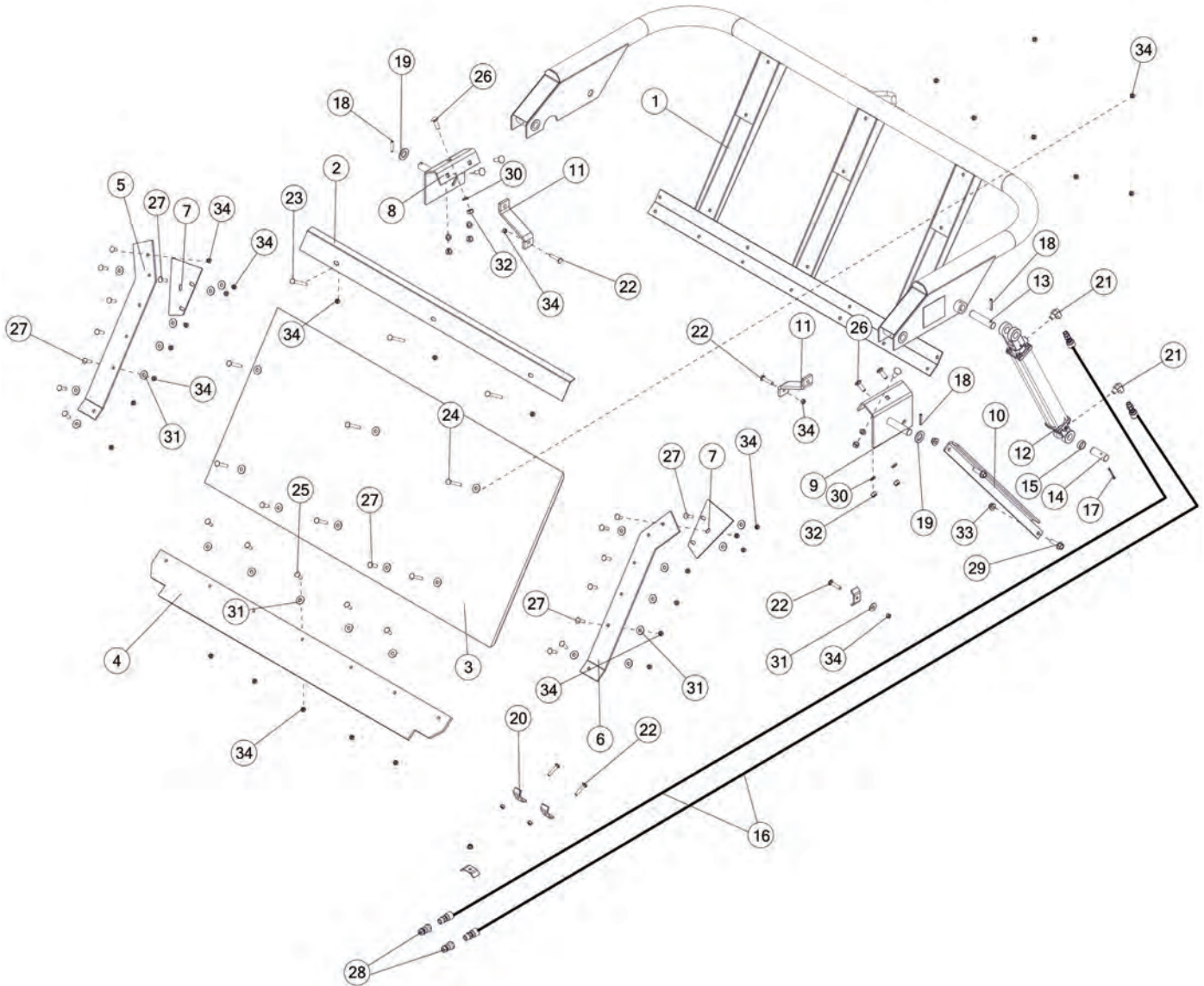
**FIGURE 13**  
**APRON CHAIN**







# FIGURE 14 TAILGATE & COMPONENTS



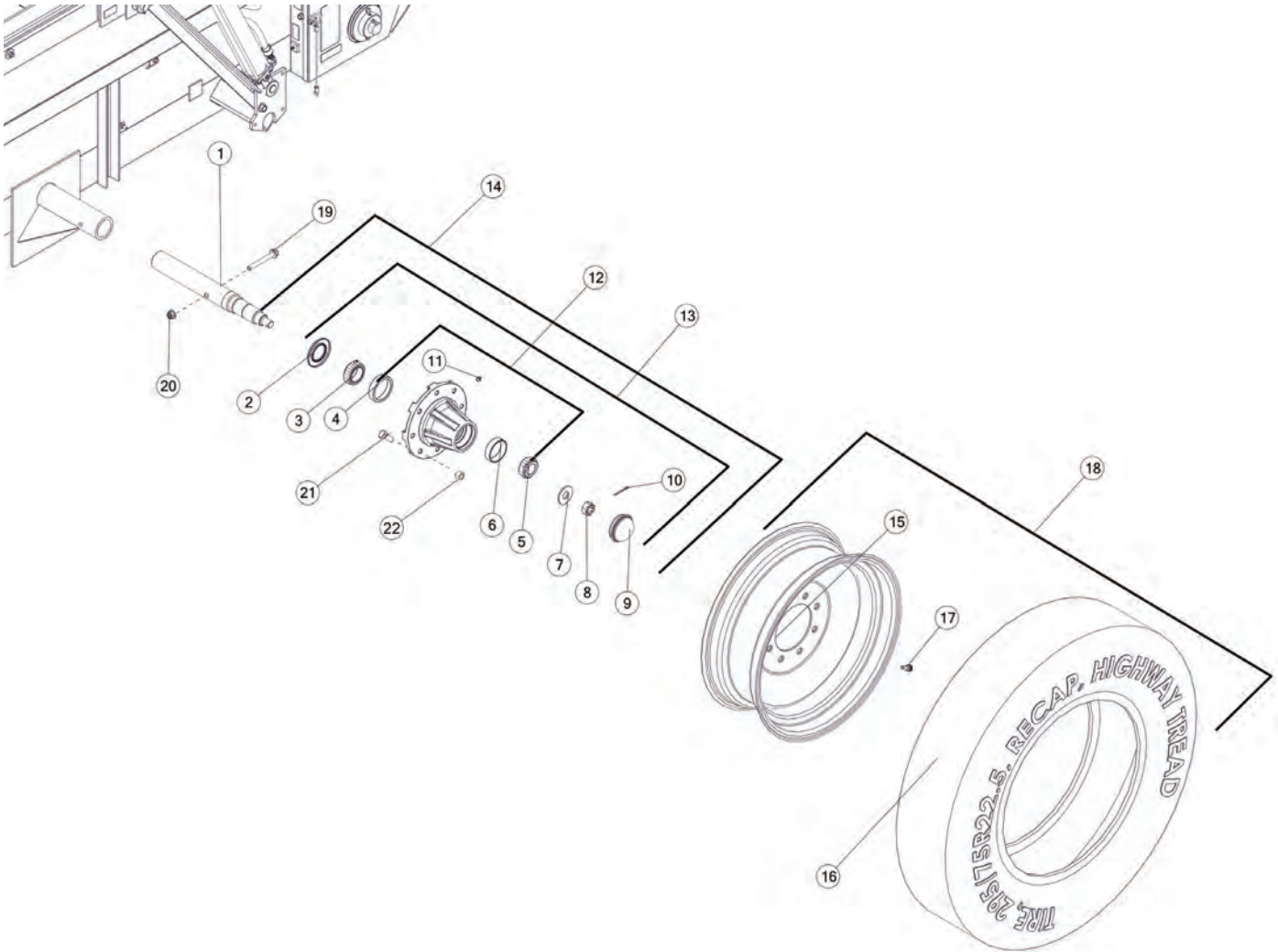




# FIGURE 14 TAILGATE & COMPONENTS

REF #	PART #	DESCRIPTION	QTY
1	23N298B	TAILGATE FRAME W/DECALS	1
2	23N163	TAILGATE POLY HOLD	1
3	31N37A	TAILGATE PLYWOOD W/FIBERGLASS	1
4	23N105	TAILGATE RUBBER	1
5	23N99	SIDE RUBBER RH	1
6	23N100	SIDE RUBBER LH	1
7	23N104	TAILGATE FILLER	2
8	23N299	TAILGATE MOUNT RH	1
9	23N300	TAILGATE MOUNT LH	1
10	23N231	TAILGATE BRACE LH	1
11	23N232	TAILGATE BRACKET	2
12	56015	HYDRAULIC CYLINDER, 2 X 16	1
13	23N301	CYLINDER PIN	1
14	23N107	CYLINDER PIN	1
15	K132	SPACER, 3/8	1
16	23N307	HYDRAULIC HOSE, 3/8 X 274	2
17	YPCT07005	COTTER PIN, 7/32 X 2	1
18	YPEX10015	EXPANSION PIN, 5/16 X 1-3/4	3
19	23N109	TAILGATE WASHER	2
20	23N67	FRONT HOSE BRACKET	1
21	23N234	FITTING, 90, 3/8NPT, 3/8NPT	2
22	YBCR12035	BOLT CARRIAGE, 3/8-16 X 2 G5 ZC	4
23	YBCR12070	BOLT CARRIAGE, 3/8-16 X 3-1/2 G5 ZC	1
24	YBCR12055	BOLT CARRIAGE, 3/8-16 X 3 G5 ZC	1
25	YBCR12020	BOLT CARRIAGE, 3/8-16 X 1-1/4 G5 ZC	1
26	YBCR16010	BOLT CARRIAGE, 1/2-13 X 1-1/2 G5 ZC	2
27	YBCR12015	BOLT CARRIAGE, 3/8-16 X 1-1/2 G5 ZC	5
28	DWM205	MALE QUICK COUPLER W/HYD TIP	2
29	YBFB16175	BOLT FLANGE, 1/2 X 1-3/4 G5	1
30	YWLO16005	WASHER, LOCK, 1/2	2
31	YWFL14005	WASHER, FLAT, 7/16 ZC	5
32	YNHX16005	NUT HEX, 1/2-13 ZC	2
33	YNFG16003	NUT FLANGE, 1/2 GF	1
34	YNHX12005	NUT HEX, 3/8-16 ZC	11



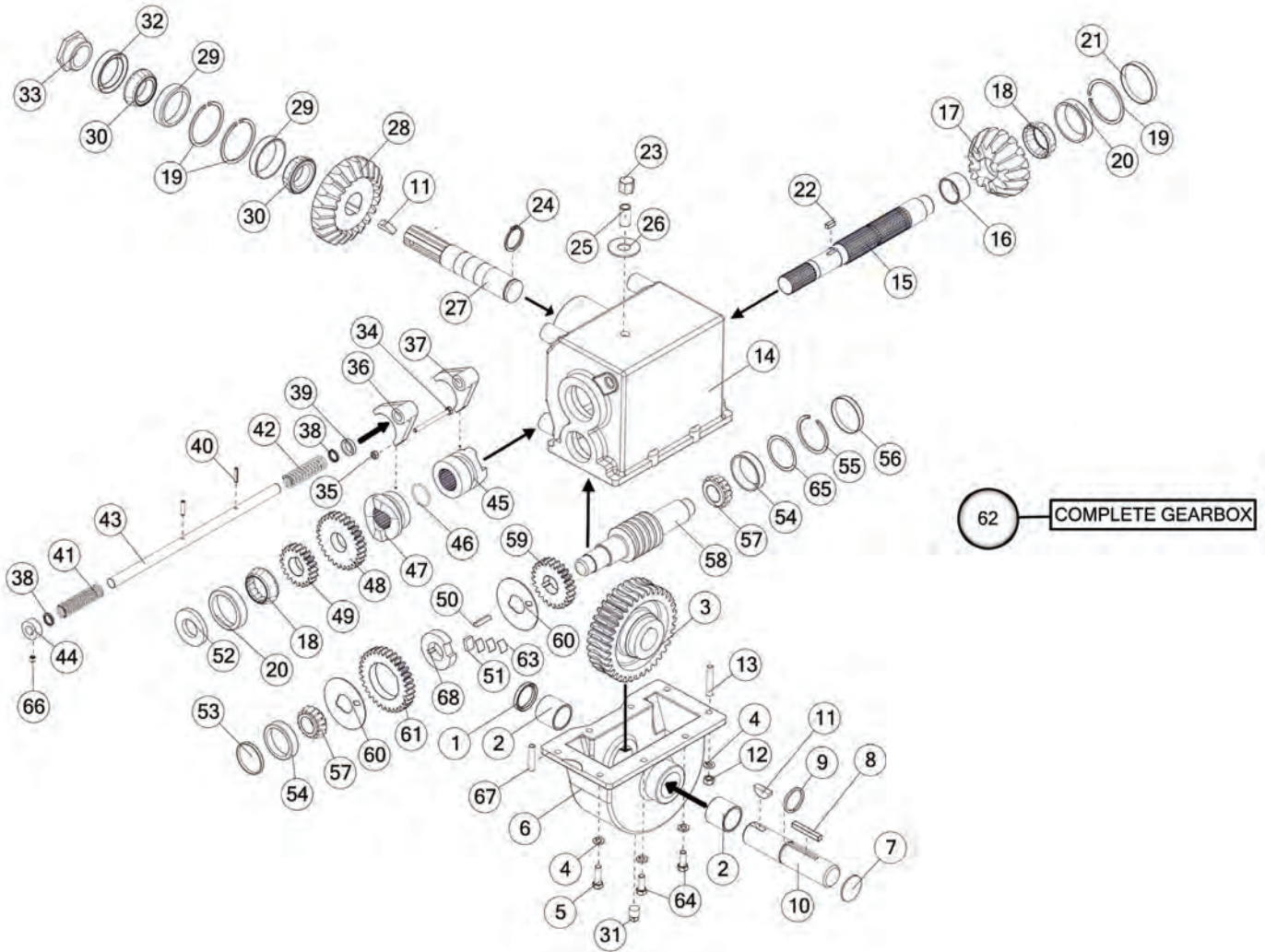




**FIGURE 15**  
**WHEEL & HUB ASSEMBLY**

REF #	PART #	DESCRIPTION	QTY
1	B9	SPINDLE	2
2	B8	GREASE SEAL	2
3	B7	INNER BEARING	2
4	75954	INNER RACE	2
5	B5	OUTER BEARING	2
6	75951	OUTER RACE	2
7	YWFL28005	WASHER, FLAT, 7/8 ZC	2
8	YNSL28005	NUT SLOT, 7/8-14 G2	2
9	B2	HUB CAP	2
10	YPCT05020	COTTER PIN, 5/32 X 1-3/4	2
11	BFR28	GREASE ZERK, 1/8 NPT	2
12	75955	HUB SUBASSEMBLY	2
13	B6	HUB ASSEMBLY	2
14	B1AS03	HUB & SPINDLE ASSEMBLY	2
15	23N179ASR	WHEEL, 8.25 X 22.5, 8 BOLT P62 SILVER	2
16	UR19	TIRE, 295-R X 22.5 TUBELESS	2
17	72438	VALVE STEM, 1-1/2 HEX NUT	2
18	32352SR	TIRE, 295-75R X 22.5 ON 8.25 X 22.5 WHEEL	2
19	YBFB16400	BOLT FLANGE, 1/2 X 4 G5	2
20	YNFG16003	NUT FLANGE, 1/2 GF	2
21	YBSD20010	BOLT STUD, 5/8 X 2-1/2 G8	16
22	YNWL20005	NUT WHEEL, 5/8 G5	16

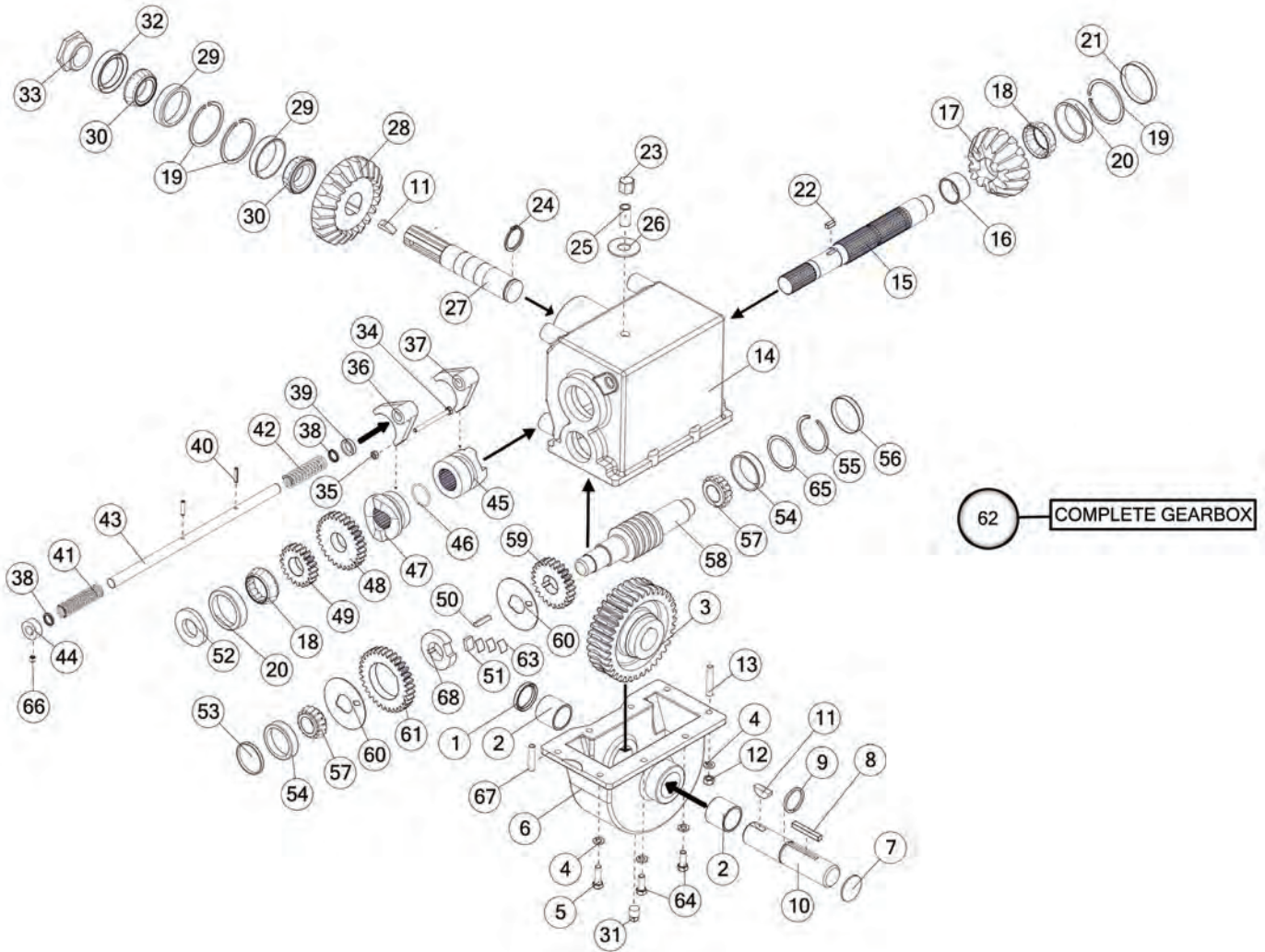






REF #	PART #	DESCRIPTION	QTY
1	17G133	SEAL	1
2	17G134	BUSHING	2
3	17G137	WORM GEAR 36T	1
4	YWLO12005	WASHER LOCK, 3/8	8
5	YBHH12035	BOLT HEX, 3/8 X 1-1/4 G5	2
6	17G107	LOWER GEARBOX HOUSING	1
7	17G139	CAP	1
8	17G132	SQUARE KEY	1
9	17G135	SNAP RING	1
10	17G136	OUTPUT SHAFT	1
11	5B9	WOODRUFF KEY	2
12	YNHX12005	HEX NUT, 3/8 G2	2
13	17G140	STUD	2
14	17G99	UPPER GEARBOX HOUSING	1
15	17G108A	INPUT SHAFT	1
16	17G111	BRONZE BUSHING	1
17	17G110	BEVEL GEAR, 16T	1
18	G18	TAPER BEARING	2
19	G55	INTERNAL SNAP RING	3
20	18VB25	RACE	2
21	G68	CAP	1
22	17G116	SQUARE KEY	1
23	17G58	VENT CAP	1
24	12V62	SNAP RING	1
25	23N288	PIPE NIPPLE	2
26	YWFL24005	WASHER FLAT, 3/4	1
27	17G104	BEATER OUTPUT SHAFT	1
28	17G101	GEAR BEVEL, 22T	1
29	17G102	RACE	2
30	17G103	TAPER BEARING	2
31	G65	PLUG PIPE, 3/8 NPT	1
32	17G105	SEAL	1
33	17G106	NUT HEX, 1-1/2	1
34	YBHH08090	BOLT HEX, FULL THREAD, 1/4 X 3 G2	1
35	YNHX08007	NUT HEX, 1/4 G5	1
36	17G125	HIGH SPEED SHIFTER YOKE	1
37	17G129	BEATER SHIFTER YOKE	1
38	17G121	SEAL	2
39	17G122	STRAIGHT ROUND TUBE	1







# FIGURE 16

## GEARBOX

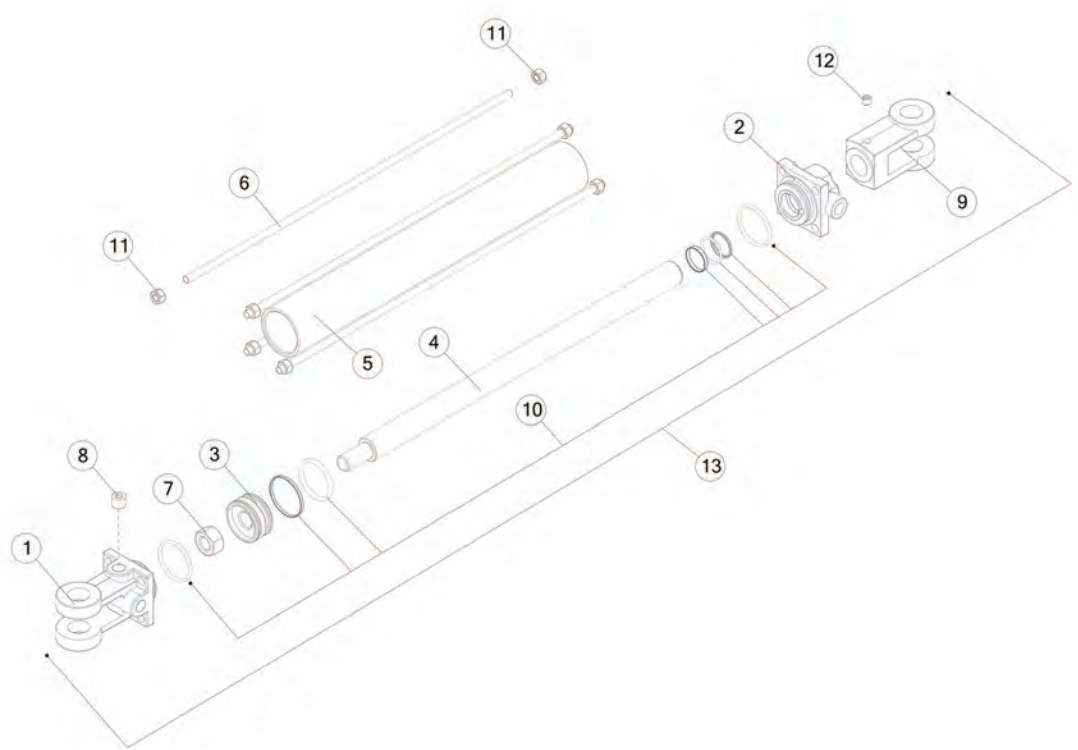
REF #	PART #	DESCRIPTION	QTY
40	17G123	ROLL PIN	2
41	17G128	SPRING	1
42	17G130	SPRING	1
43	17G131	SHIFTER ROD SHAFT	1
44	17G171	LOCK COLLAR	1
45	17G109	BEATER CLUTCH	1
46	17G169A	SNAP RING	1
47	17G119	HIGH SPEED CLUTCH	1
48	17G118	GEAR, 28T	1
49	17G115	LOW SPEED, 2 SPEED GEARBOX	1
50	S135	SQAURE KEY	1
51	17G124	KEY	1
52	S136	SEAL	1
53	17G100	CAP	2
54	3G18	RACE	2
55	3G19	INTERNAL SNAP RING	1
56	G90	CAP	1
57	L3G24	TAPER BEARING	2
58	17G120	SHAFT	1
59	17G117	HIGH SPEED GEAR	1
60	17G112	WASHER FLAT	2
61	17G113	LOW SPEED GEAR	1
62	17G142	COMPLETE GEARBOX	1
63	17G126	DOG SPRING	3
64	YBHH12010	BOLT HEX, 3/8 X 1 G5	4
65	G92	STAINLESS SHIM	1
66	YSKP10015	SET SCREW	1
67	17G138	STUD	1
68	17G114	LOW SPEED CLUTCH	1





# FIGURE 17

## ENDGATE CYLINDER







# FIGURE 17 ENDGATE CYLINDER

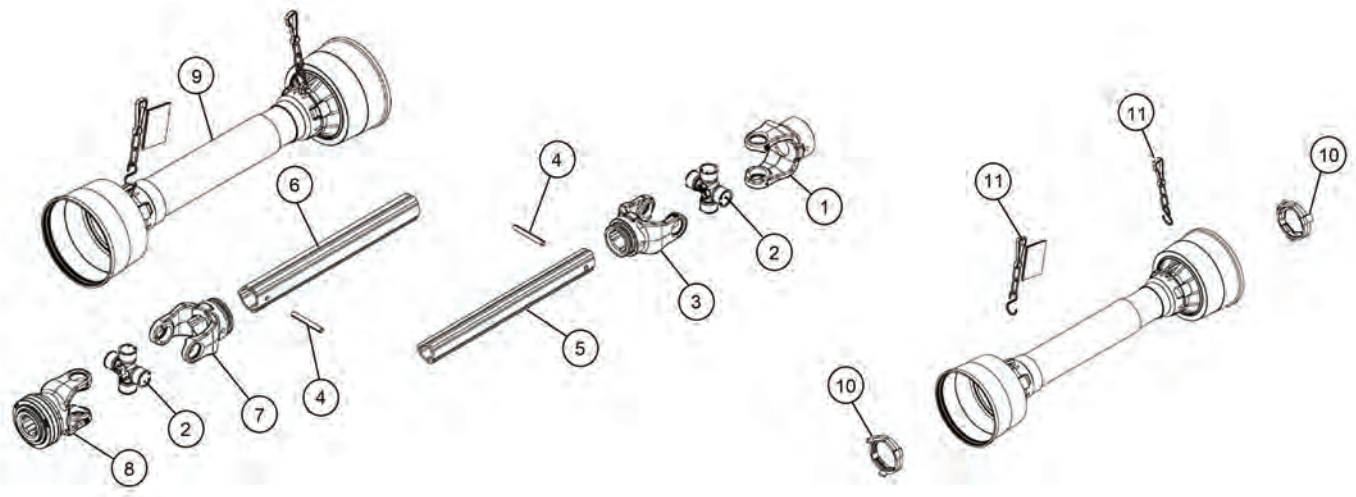
REF #	PART #	DESCRIPTION	QTY
1	23N142A	CLEVIS CAP FOR 2 IN CYLINDERS	1
2	56174	ROD CAP	1
3	56180	PISTON FOR 2 IN CYLINDER	1
4	23N145A	ROD	1
5	23N146	CYLINDER TUBE	1
6	23N147	SHAFT	4
7	23N148	PISTON NUT	1
8	23N149	PLUG	1
9	23N150A	ROD CLEVIS	1
10	56187	SEAL KIT FOR 2 IN CYLINDER	1
11	YNHX12006	NUT HEX, 3/8 G2	8
12	YSSO12015	SET SCREW, 3/8 X 3/8	1
13	56015	HYDRAULIC CYLINDER, 2 X 16	1





# FIGURE 18

PTO



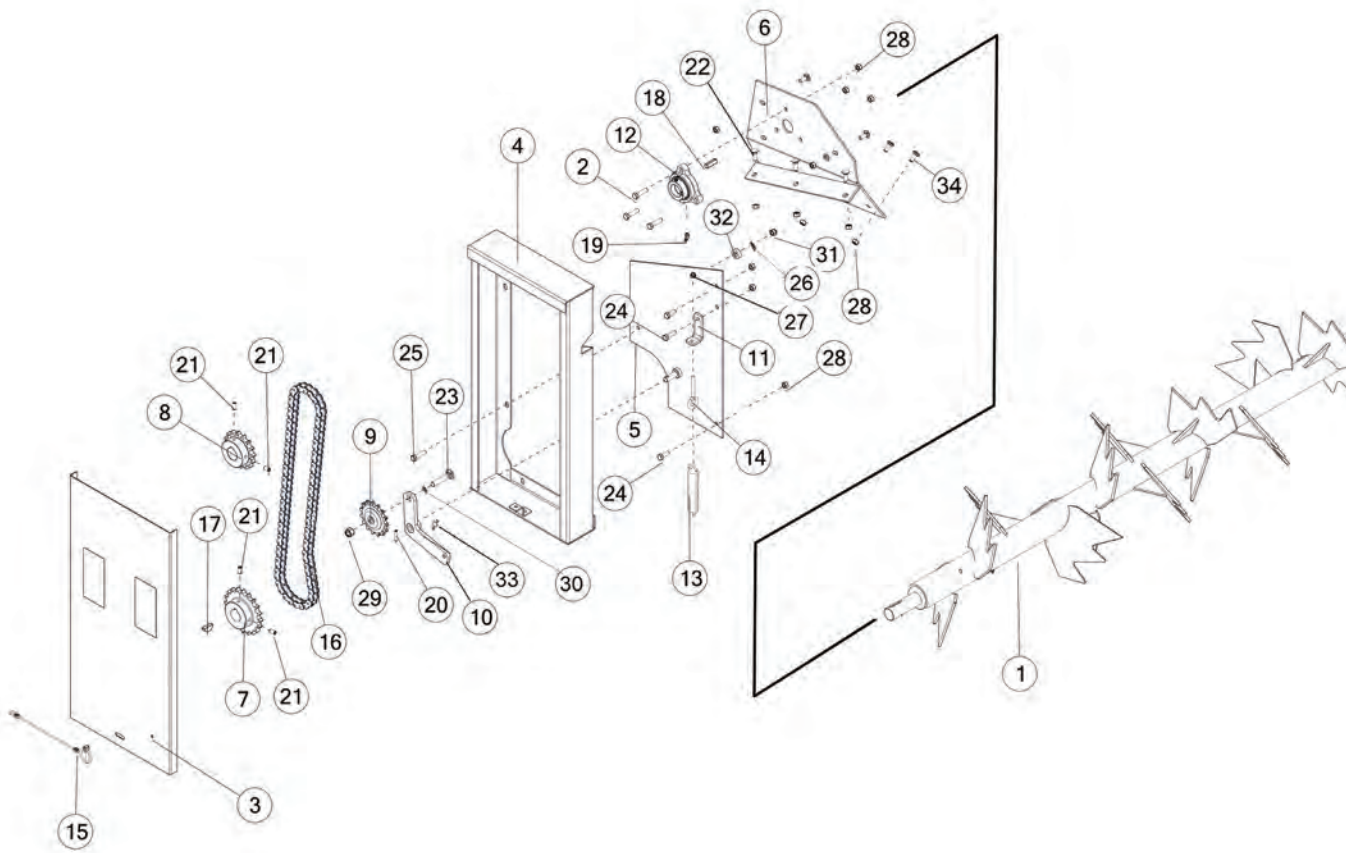


# FIGURE 18

PTO

REF #	PART #	DESCRIPTION	QTY
1	84671	YOKE W/BORE	1
2	87700	JOINT, UNIVERSAL	2
3	87698	YOKE, INNER	1
4	YPEX10250	EXPANSION PIN, 5/16 X 2-1/2	2
5	87882	TUBE	1
6	87699	TUBE	1
7	87884	YOKE, OUTER	1
8	87701	YOKE, END	1
9	87696	SAFETY GUARD GROUP	1
10	89228	RETAINERS	2
11	89227	CHAIN	2
*	23N152Z	COMPLETE PTO ASSEMBLY	1







**FIGURE 19**  
**MSOTB327**  
**TOP BEATER OPTION**

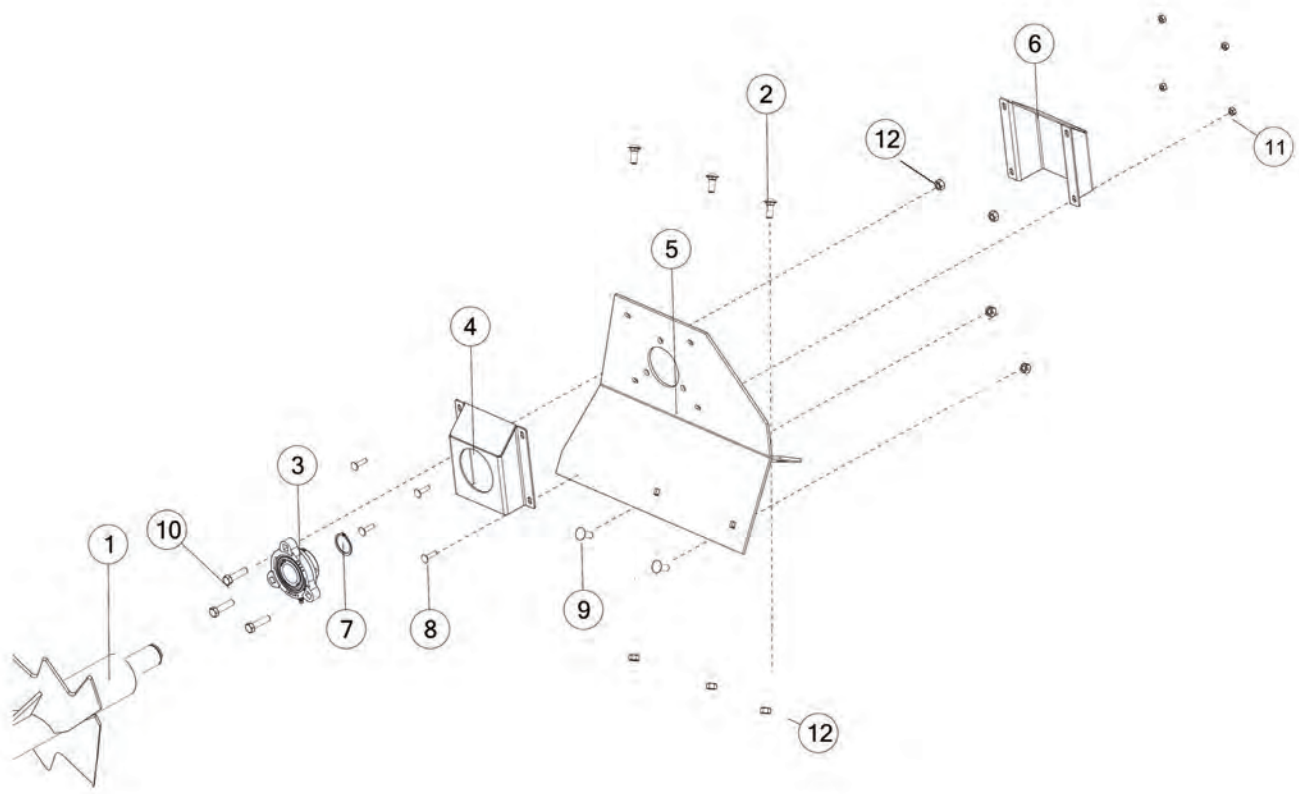
REF #	PART #	DESCRIPTION	QTY
1	97944	SECOND BEATER	1
2	YBCR12015	BOLT CARRIAGE, 3/8-16 X 1-1/2 G5	3
3	80709B	BEATER SHIELD COVER W/DECAL	1
4	80759B	BEATER SHIELD W/DECALS	1
5	80751B	BACK SHIELD W/DECAL	1
6	80755	BEATER PANEL RH	1
7	80898	SPROCKET, 20T	1
8	D23	SPROCKET, 16T	1
9	12N42	IDLER SPROCKET, 15T	1
10	80728	SPRING TENSIONER ARM	1
11	80152	SPRING TENSIONER BRACKET	1
12	80725	BEATER BEARING	1
13	ST36	TENSION SPRING	1
14	YBTE10039	BOLT TURNED EYE, 5/16 X 4	1
15	S122	LANYARD CLIP PIN CABLE	1
16	37N49	ROLLER CHAIN, #60	1
17	5B9	WOODRUFF KEY, 3/8 X 1-1/4	1
18	A32	SQUARE KEY, .38 X .38 X 1.38	1
19	RG21	GREASE ZERK, 45 DEGREE	1
20	YPEX08010	EXPANSION PIN, 1/4 X 1-1/4	1
21	YSKP12035	SETSCREW, 3/8 X 3/4	4
22	YBCR12010	BOLT CARRIAGE, 3/8 X 1 G5	3
23	YBCR16025	BOLT CARRIAGE, 1/2 X 2-1/2 G2	1
24	YBFB12003	BOLT FLANGE, 3/8 X 1 G5	3
25	YBFB12150	BOLT FLANGE, 3/8 X 1-1/2 G5	4
26	YWFL12005	WASHER FLAT, 3/8	5
27	YNFG10005	NUT FLANGE, 5/16 GF	1
28	YNFG12006	NUT FLANGE, 3/8 GF	12
29	YNFG16003	NUT FLANGE, 1/2 GF	1
30	YWFL14005	WASHER FLAT, 7/16	4
31	YNNY12005	NUT HEX, 3/8 LKNY G2	1
32	S246	SPACER	1
33	G89	STRAIGHT ZERK, 1/4-28 X 90	1
34	YBCR12020	BOLT CARRIAGE, 3/8 X 1-1/4 G5	3





# FIGURE 19

MSOTB327  
TOP BEATER OPTION





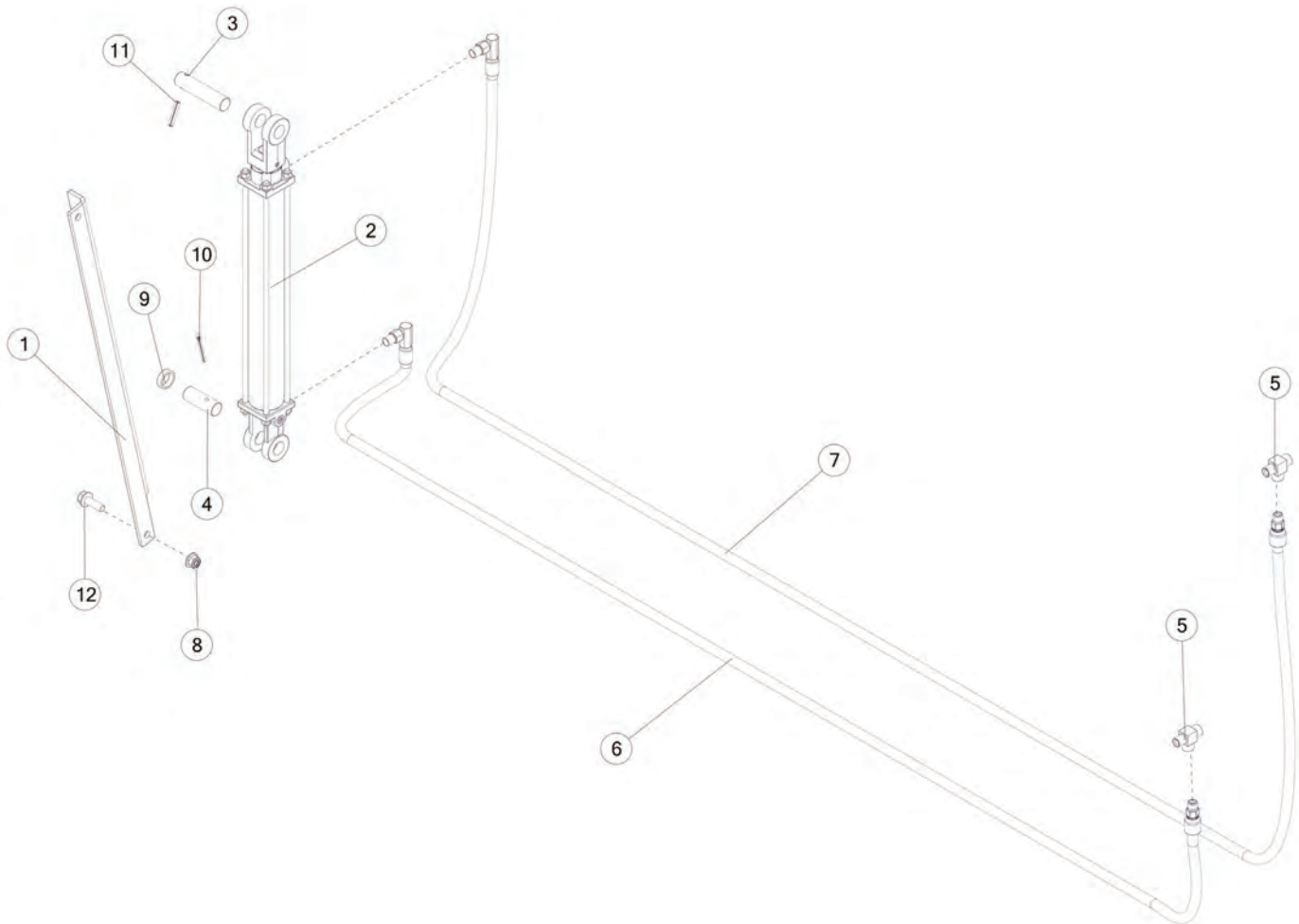
**FIGURE 19**  
**MSOTB327**  
**TOP BEATER OPTION**

REF #	PART #	DESCRIPTION	QTY
1	97944	SECOND BEATER	1
2	YBCR12020	BOLT CARRIAGE, 3/8 X 1-1/4 G5	3
3	80725	BEATER BEARING	1
4	57216	BEATER BEARING PROTECTOR	1
5	80753	BEATER PANEL LH	1
6	87656	EXTERIOR BEATER BEARING PROTECTOR	1
7	81527	EXTERNAL SNAP RING, 1-3/8	1
8	YBCR08005	BOLT CARRIAGE, 1/4 X 1 G5	4
9	YBCR12010	BOLT CARRIAGE, 3/8 X 1 G5	2
10	YBFB12150	BOLT FLANGE, 3/8 X 1-1/2 G5	3
11	YNFG08010	NUT FLANGE, 1/4 GF	4
12	YNFG12006	NUT FLANGE, 3/8 GF	8





**FIGURE 20**  
**MSO14B**  
**2ND CYLINDER OPTION**





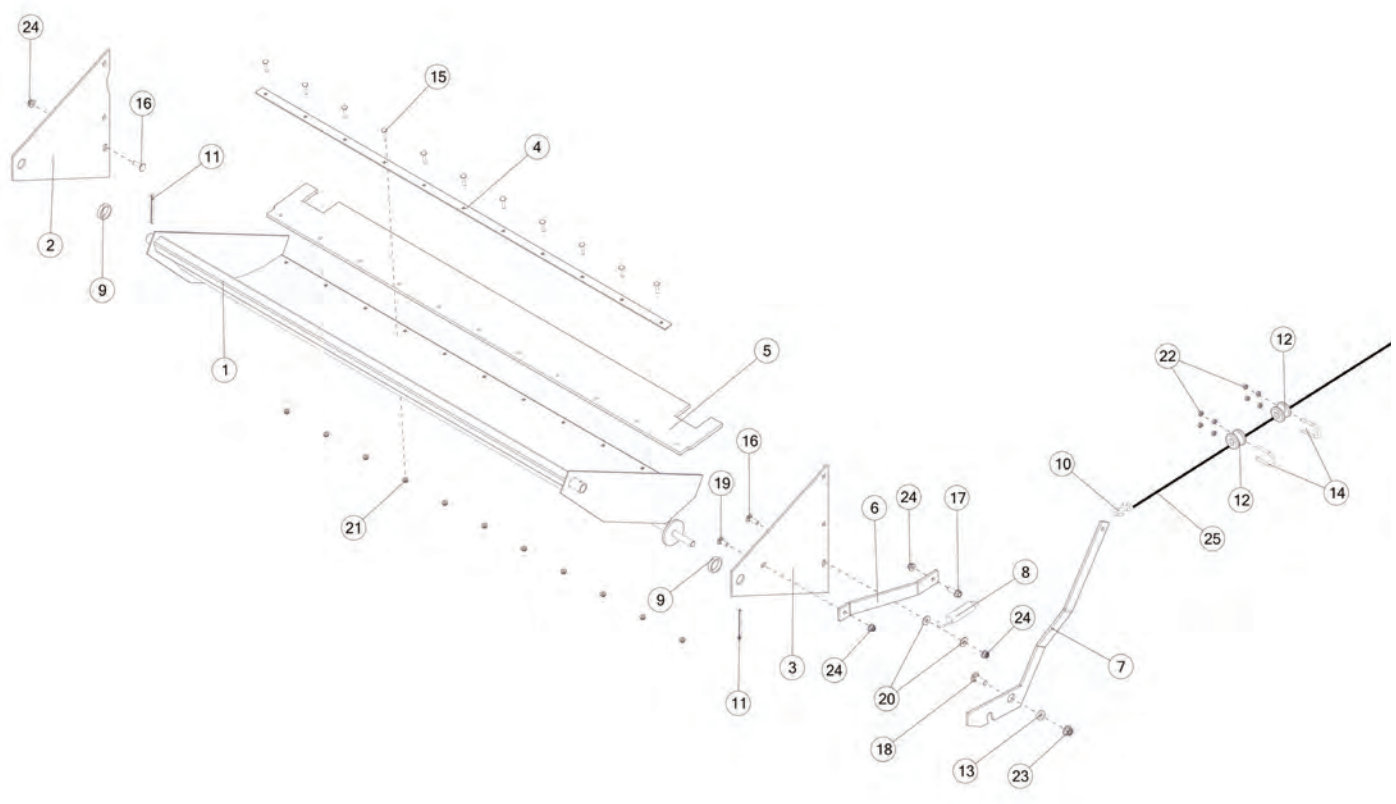


REF #	PART #	DESCRIPTION	QTY
1	23N233	TAILGATE BRACKET	1
2	56015	HYDRAULIC CYLINDER, 2 X 16	1
3	23N301	CYLINDER PIN	1
4	23N107	CYLINDER PIN	1
5	23N116	FITTING TEE, 3/8NPT X 3/8NPT X 3/8 NPT	2
6	23N113	HYDRAULIC HOSE, 6, 96IN	1
7	23N114	HYDRAULIC HOSE, 6, 138IN	1
8	YNFG16003	NUT FLANGE, 1/2 GF	1
9	K132	SPACER, 3/8	1
10	YPCT07005	COTTER PIN, 7/32 X 2	1
11	YPEX10015	EXPANSION PIN, 5/16 X 1-3/4	1
12	YBFB16150	BOLT FLANGE, 1/2 X 1-1/2 G5	1





**FIGURE 21**  
**MSOPAN235**  
**REAR PAN OPTION**





REF #	PART #	DESCRIPTION	QTY
1	23N30	PAN	1
2	23N268	PAN SUPPORT LH	1
3	23N29	PAN PLATE RH	1
4	23N25	PAN STRAP	1
5	23N24	PAN RUBBER FLAP	1
6	84635	PAN SUPPORT BRACE	1
7	95717	PAN TRIP LEVER	1
8	R27	SPRING	1
9	F112	SPACER	2
10	YMHK92005	S-HOOK, .262 X 2-1/4 X 11/16	1
11	YPCT08010	COTTER PIN, 1/4 X 2-1/2	2
12	F33	SIDE CABLE GUIDE	2
13	23N23	TRIP LEVER SPACER	1
14	YBPU08005	PIPE U-BOLT, 1/4 X 3/4	2
15	YBCR08015	BOLT CARRIAGE, 1/4-20 X 1-1/4 G5 ZC	11
16	YBCR12020	BOLT CARRIAGE, 3/8-16 X 1-1/4 G5 ZC	2
17	YBFB12125	BOLT FLANGE, 3/8 X 1-1/4 G5	1
18	YBCR16010	BOLT CARRIAGE, 1/2-13 X 1-1/2 G5 ZC	1
19	YBCR12010	BOLT CARRIAGE, 3/8-16 X 1 G5 ZC	1
20	YWFL12005	WASHER, FLAT, 3/8 USS	2
21	YNFG08010	NUT FLANGE, 1/4 GF	11
22	YNHX08005	NUT HEX, 1/4-20 ZC	8
23	YNFG16003	NUT FLANGE, 1/2 GF	1
24	YNFG12006	NUT FLANGE, 3/8 GF	4
25	27N1	TRIP ROPE	1

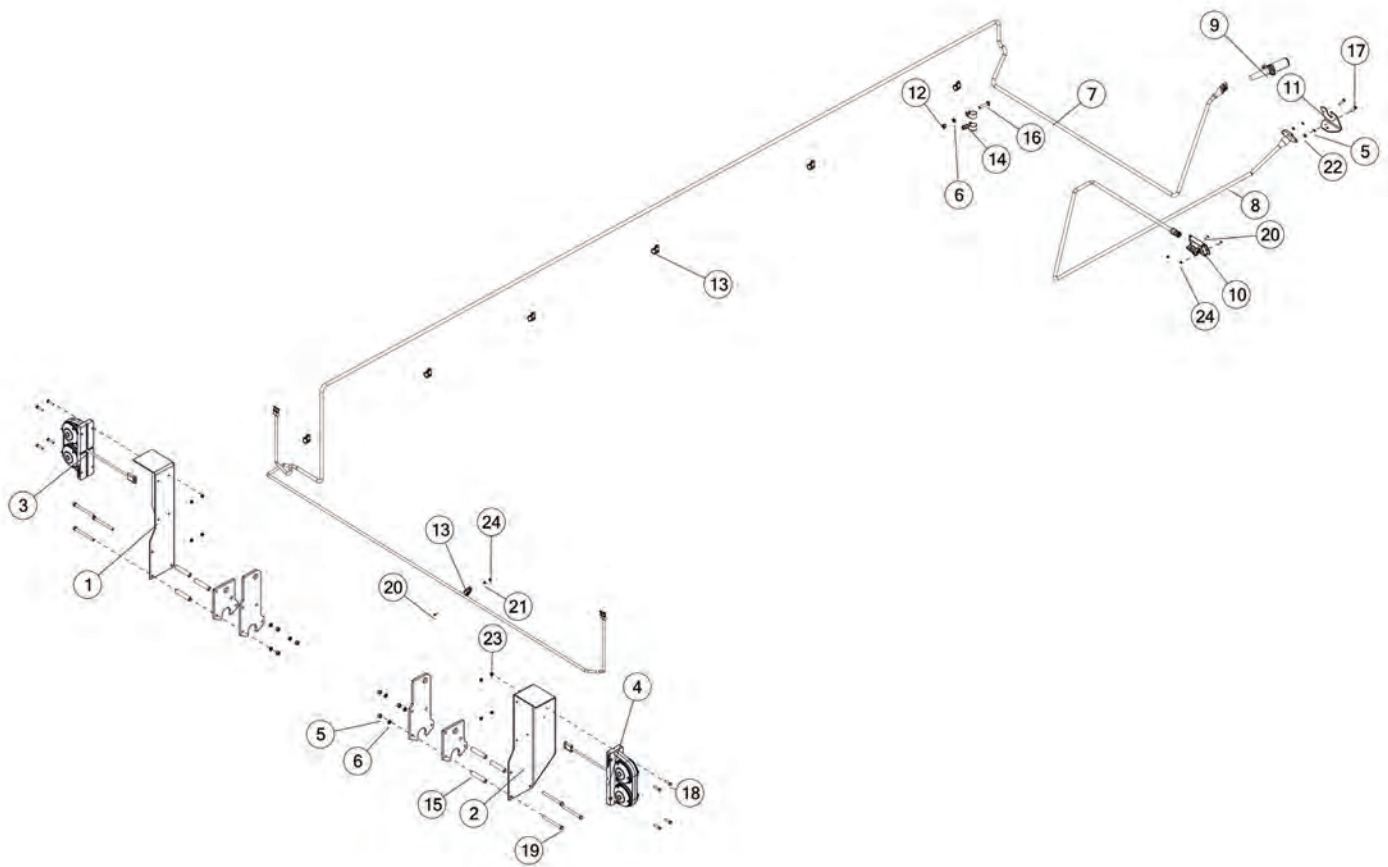




# FIGURE 22

## MSOLIGHT

### HIGHWAY LIGHTING OPTION





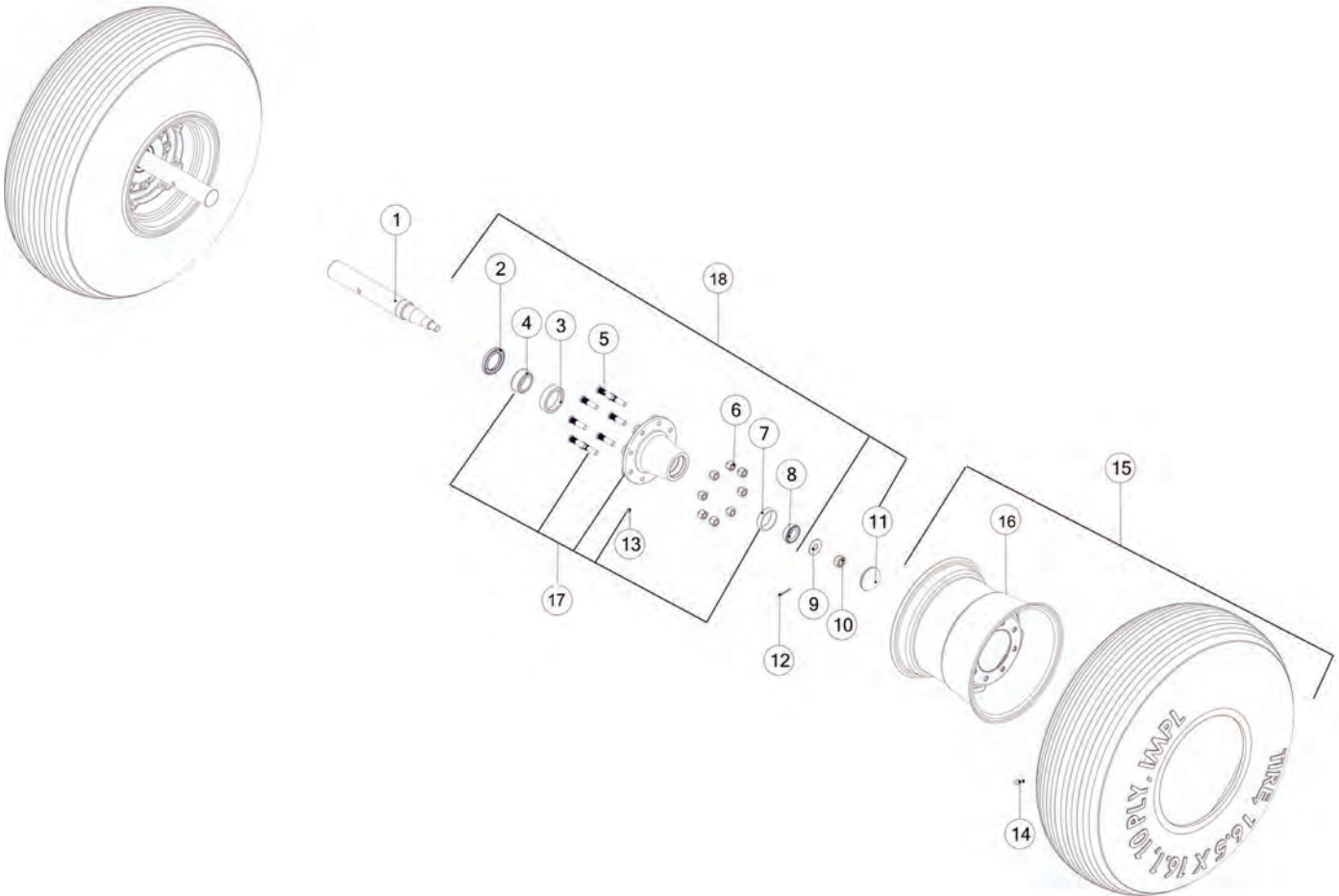
# FIGURE 22

## MSOLIGHT

## HIGHWAY LIGHTING OPTION

REF #	PART #	DESCRIPTION	QTY
1	77918	LIGHT BRACKET LH	1
2	77922	LIGHT BRACKET RH	1
3	77923	TAIL LIGHT ASSY LH	1
4	77924	TAIL LIGHT ASSY RH	1
5	YNTL12005	NUT HEX, 3/8	6
6	YWLO12005	WASHER LOCK, 3/8	2
7	77975	ELEC HARNESS	1
8	79260	LIGHT HARNESS	1
9	TLPC	TRANSPORT LIGHT CORD	1
10	69908	MODULE CONTROL BLINKER	1
11	BFR659	LIGHT BRACKET	1
12	YNTL12005	NUT HEX, 3/8	2
13	HGV162	RUBBER WIRE HOLDER, 1/2	5
14	HGV72	SMALL TUBE HOLDER SPACER	2
15	ST55	BOLT CARRIAGE, 3/8 X 2	6
16	YBCR12035	BOLT CARRIAGE, 1/4 X 1	2
17	YBHH08005	BOLT HEX, 1/4 X 1-1/4	2
18	YBHH08030	BOLT HEX, 3/8 X 4-1/2	8
19	YBHH12185	MACHINE SCREW #10-24 X 5/8	8
20	YSPN64005	RIVET	6
21	YMRV06015	WASHER, 3/16	6
22	YNHX08005	NUT HEX, 1/4	2
23	YNNY08005	NUT HEX, 1/4	8
24	YNNY64005	NUT HEX, #10-24	8







# FIGURE 23

TWSHP270

## 16.5 X 16.1 TIRE/WHEEL/SPINDLE/HUB OPTION

REF #	PART #	DESCRIPTION	QTY
1	27N46	SPINDLE	2
2	B90	GREASE SEAL	2
3	B91A	INNER RACE	2
4	B91	INNER BEARING	2
5	YBSD20010	BOLT STUD, 5/8 X 2-1/2 G8	16
6	YNWL20005	NUT WHEEL, 5/8-18 G5 ZC	16
7	B94A	OUTER RACE	2
8	B94	OUTER BEARING	2
9	YWFL28005	WASHER, FLAT, 7/8 ZC	2
10	YNSL28005	NUT SLOT, 7/8-14 G2	2
11	B2	HUB CAP	2
12	YPCT05020	COTTER PIN, 5/32 X 1-3/4	2
13	BFR28	GREASE ZERK, 1/8 NPT	2
14	72436	VALVE STEM, 1-1/2 RUBBER	2
15	32353SR	TIRE AND WHEEL ASSEMBLY	2
16	12V36SR	WHEEL, 14 X 16.1 8 BOLT SILVER	2
17	53403	HUB SUB ASSEMBLY	2
18	26G4A	HUB ASSEMBLY	2





# PARTS NOTES

---

---

---

---

---

---

---

---

---

---

---

---

---

---

---

---

---

---

---

---

---

---

---

---

---

---







Manufactured By:

# H&S MANUFACTURING CO., INC.

2608 S. HUME AVE. MARSHFIELD, WI 54449

(715) 387-3414 | hsmfgco.com

