

# **H&S** PARTS BOOK

## **S3127 SPREADER**



Revision #06  
Starting Ser. #811MS27056

Part #72467  
HSMFG0818

**2608 S. HUME AVE. , MARSHFIELD, WI 54449**  
**(715) 387-3414 FAX (715) 384-5463**  
**[www.hsmfgco.com](http://www.hsmfgco.com)**

# CONTENTS

Instructions for Ordering Parts .....	1
Figure 1 - Beater and Pan Assembly .....	2-3
Figure 2 - Hub, Spindle and Box Parts .....	4-5
Figure 3 - Front Shield and Drive Assembly .....	6-9
Figure 4 - Back Shield and Drive Assembly .....	10-13
Figure 5 - Hydraulic Endgate .....	14-15
Figure 6 - Apron Chain Assembly .....	16
Figure 7 - Hydraulic Endgate Cylinder .....	17
Figure 8 - PTO .....	18
Figure 9- Optional Second Beater .....	19
Figure 10 -Gearbox .....	20-23
Figure 11 -4 Hose Hydraulic Drive Assembly .....	24-25
Figure 12 -2 Hose Hydraulic Drive Assembly .....	26-27
Figure 13 - Hydraulic Drive Gear Box .....	28-29
Figure 14 -Optional Electric Control For Hydraulic Drive .....	30-31
Parts Notes .....	32

# **INSTRUCTIONS FOR ORDERING PARTS**

All service parts should be ordered through your authorized H&S dealer. He will be able to give you faster service if you will provide them with the following:

1. Model & Serial Number - Both can be located on the side of the center bearing post above jack mount.
2. All references to left or right apply to the machine as viewed from the rear.
3. Parts should not be ordered from illustration only. Please order complete part number.
4. If your dealer has to order parts - give shipping instructions:

VIA truck - large pieces (please specify local truck lines)

VIA United Parcel Service (include full address)

Via FED EX (Include Full Address)

<b>H&amp;S MFG. CO. INC.</b>	
MARSHFIELD, WIS.	
MOD. NO.	<input type="text"/>
SER. NO.	<input type="text"/>
DESCR.	<input type="text"/>

PLEASE RECORD NUMBERS FOR YOUR UNIT FOR QUICK REFERENCE

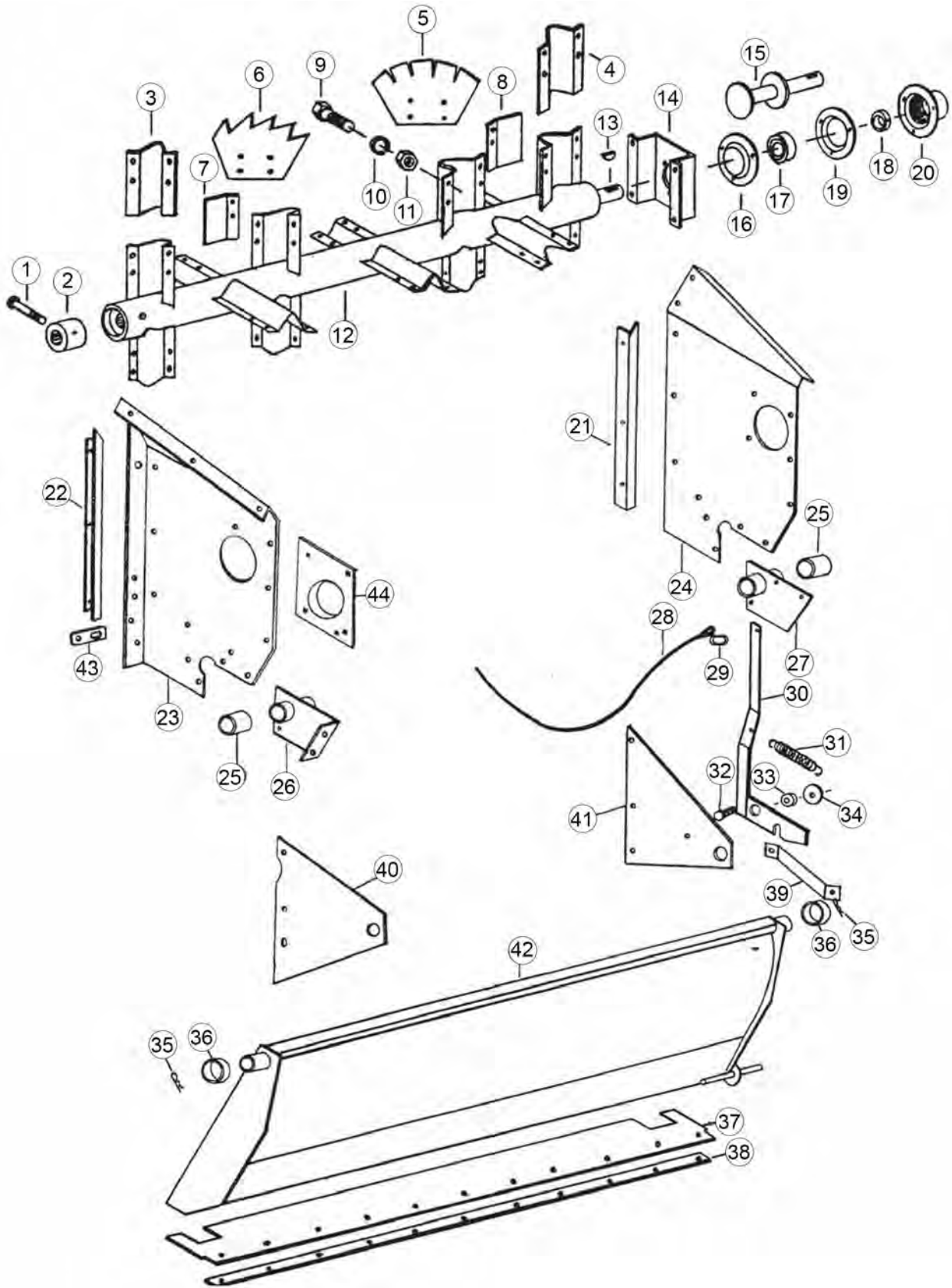
## **ABOUT IMPROVEMENTS**

H&S MFG. CO. INC. IS CONTINUALLY STRIVING TO IMPROVE IT'S PRODUCTS

We must therefore, reserve the right to make improvements or changes whenever it becomes practical to do so, without incurring any obligation to make changes or additions to the equipment previously sold.

# FIGURE 1

## BEATER/PAN ASSEMBLY



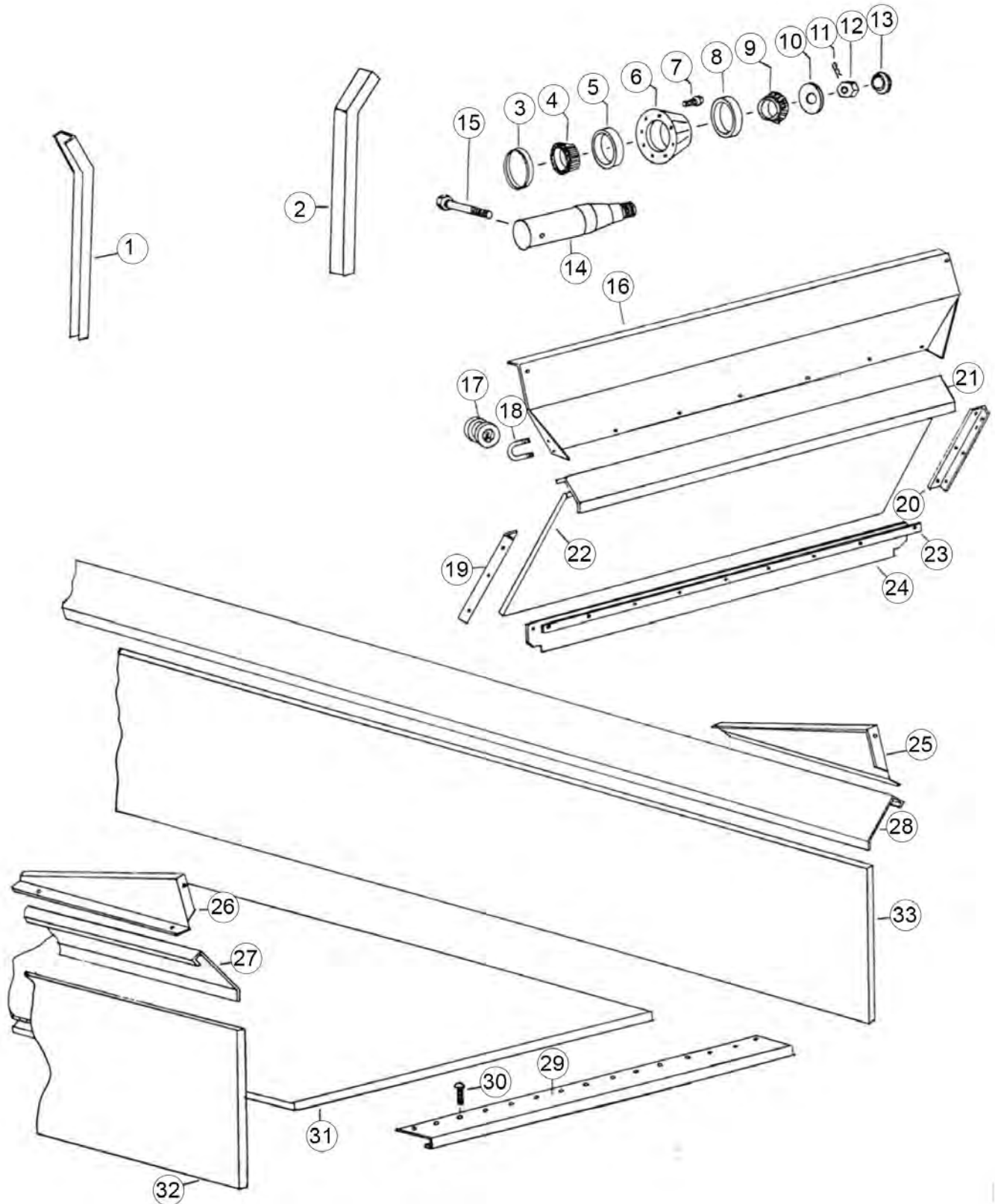
# FIGURE 1

## BEATER/PAN ASSEMBLY

<u>ITEM</u>	<u>QTY</u>	<u>PART #</u>	<u>DESCRIPTION</u>
1	1	YBHH10130	BOLT HEX, 5/16 X 5 G5
2	1	23N2	SPLINED BEATER INSERT
3	6	23N3	BEATER BLADE HOLDER LH
4	8	23N4	BEATER BLADE HOLDER RH
5	6	23N276	BEATER BLADE - HARDENED
6	8	23N277	BEATER BLADE - HARDENED
7	1	23N7	BEATER BLADE WIPER LH
8	1	23N8	BEATER BLADE WIPER RH
9	56	YBHH16045	BOLT HEX, 1/2 X 1-1/4 G5
10	56	YWLO16005	WASHER LOCK, 1/2
11	56	YNTL16005	NUT HEX, TOP LOCK, 1/2
12	1	23N263	BEATER
13	1	5B9	WOODRUFF KEY, 3/8 X 1-1/4
14	1	23N10	BEATER SHAFT SUPPORT
15	1	23N11	BEATER STUB SHAFT
16	1	F116	BEARING FLANGE (HEAVY DUTY)
17	1	12N122	BEARING W/ LOCK COLLAR 1-1/4
18	1	12N122	BEARING W/ LOCK COLLAR 1-1/4
19	1	F114A	BEARING FLANGE W/ ZERK 45 DEGREE
20	1	23N12	BEARING FLANGE GUARD
21	1	23N13	SIDE POLY HOLD DOWN RH
22	1	23N14	SIDE POLY HOLD DOWN LH
23	1	23N264	MAIN SIDE PANEL LH
24	1	23N265	MAIN SIDE PANEL RH
25	2	23N17	DRIVE SHAFT BUSHING
26	1	23N257	DRIVE SHAFT BRACKET LH
27	1	23N19	DRIVE SHAFT BRACKET RH
28	1	27N1	PAN TRIP ROPE
29	1	R31	CLIP
30	1	23N21	PAN TRIP LEVER
31	1	R27	SPRING
32	1	YBCR16010	BOLT CARRIAGE, 1/2 X 1-1/2 G5
33	1	23N23	TRIP LEVER SPACER
34	1	YWFL16005	WASHER FLAT, 1/2
35	2	YPCT06020	COTTER PIN, 3/16 X 2
36	2	F112	SPACER
37	1	23N24	PAN RUBBER FLAP
38	1	23N25	PAN STRAP
39	1	23N267	PAN SUPPORT BRACE
40	1	23N268	PAN SUPPORT LH
41	1	23N29	PAN SUPPORT RH
42	1	23N30	PAN
43	1	23N64	SHIELD BRACKET
44	1	17G10	ANTI-WRAP GUARD LH

# FIGURE 2

## SPINDLE/HUB/BOX PARTS



## FIGURE 2

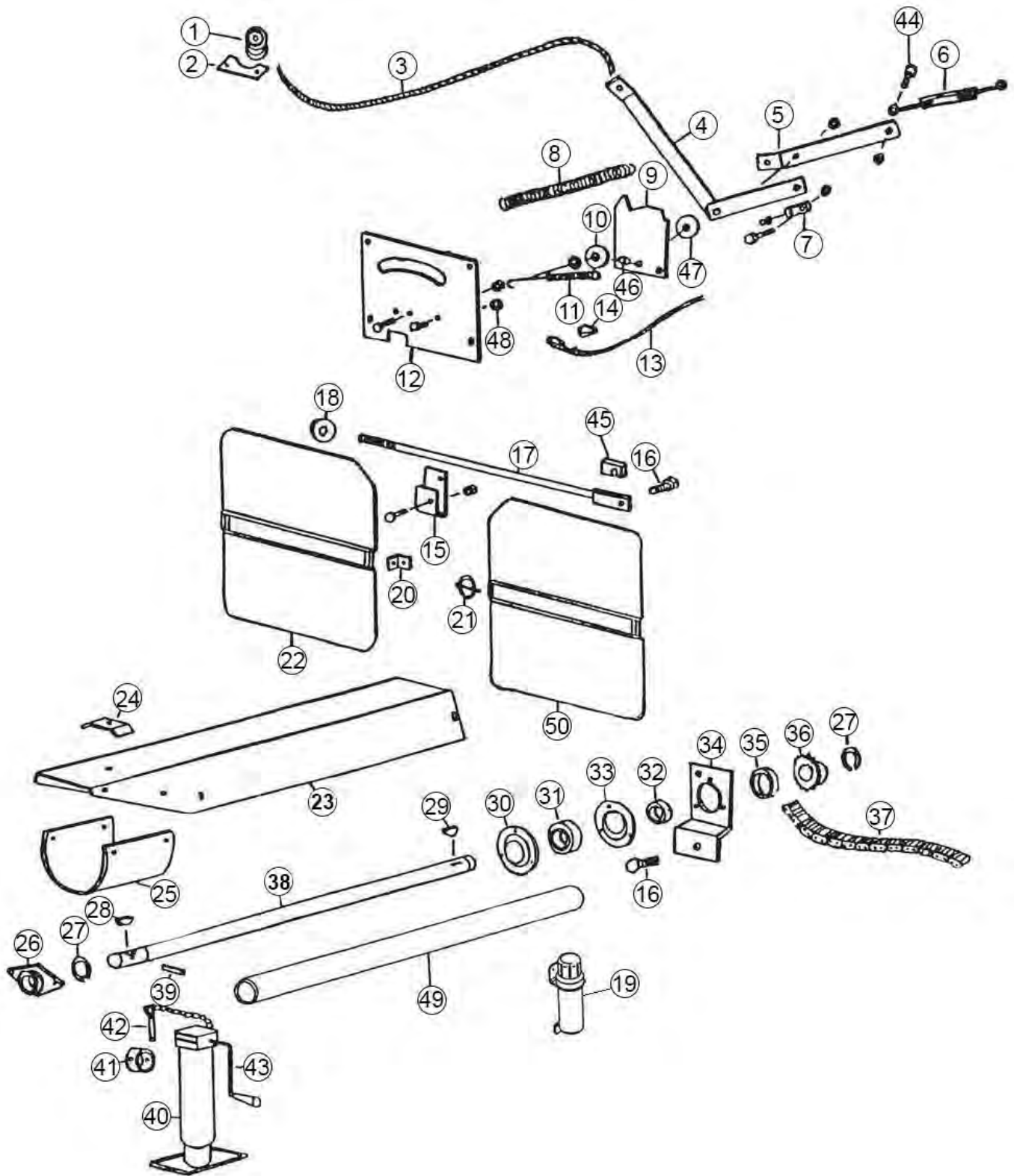
### SPINDLE/HUB/BOX PARTS

<u>ITEM</u>	<u>QTY</u>	<u>PART #</u>	<u>DESCRIPTION</u>
1	1	23N31	SIDE STAKE RH
2	1	23N32	SIDE STAKE LH
3	2	B90	SEAL
4	2	B91	INNER BEARING
5	2	B91A	INNER RACE
6	2	26G4A	HUB
*	16	YNWL20005	NUT WHEEL, 5/8
7	16	YBSD20010	BOLT STUD, 5/8 X 2 1/2 X 7/8
8	2	B94A	OUTER RACE
9	2	B94	OUTER BEARING
10	2	YWFL28005	WASHER FLAT, 7/8
11	2	YPCT05020	COTTER PIN, 5/32 X 1-3/4
12	2	YNSL28005	NUT HEX, SLOTTED, 7/8
13	2	B2	HUB CAP
14	1	27N2	SPINDLE
*	1	27N46	SPINDLE FOR 14 X 16.1 WHEEL
15	2	YBHH16130	BOLT HEX, 1/2 X 4 G5
16	1	23N34	FRONT FLARE
17	1	F33	ROPE GUIDE
18	1	YBPU08005	PIPE U BOLT, 1/4
19	1	23N35	GATE ANGLE RH
20	1	23N36	GATE ANGLE LH
21	1	23N176	FRONT FLARE SUPPORT
22	1	23N270A	FRONT GATE PLYWOOD WITH FIBERGLASS
23	1	23N40	STRAP FOR RUBBER
24	1	23N41	FRONT GATE RUBBER
25	1	23N42	SPLASH GUARD SIDE LH
26	1	23N43	SPLASH GUARD SIDE RH
27	1	27N24	SIDE FLARE RH
28	1	27N25	SIDE FLARE LH
29	1	23N46	FRONT POLY FLOOR HOLD DOWN
30	15	YSFM10010	BOLTS FOR POLY FLOOR
31	1	27N36	FLOOR PLYWOOD WITH POLY
32	1	27N37A	SIDE PLYWOOD WITH FIBERGLASS RH
33	1	27N38A	SIDE PLYWOOD WITH FIBERGLASS LH
*	2	12V36	WHEEL 14 X 16.1
*	2	23N179A	WHEEL 8 X 22.5
*	2	UR19	TIRE, 295/75R22.5, RECAP, HIGHWAY TREAD

**\* MEANS NOT SHOWN**

# FIGURE 3

## FRONT SHIELDS/DRIVE ASSEMBLY





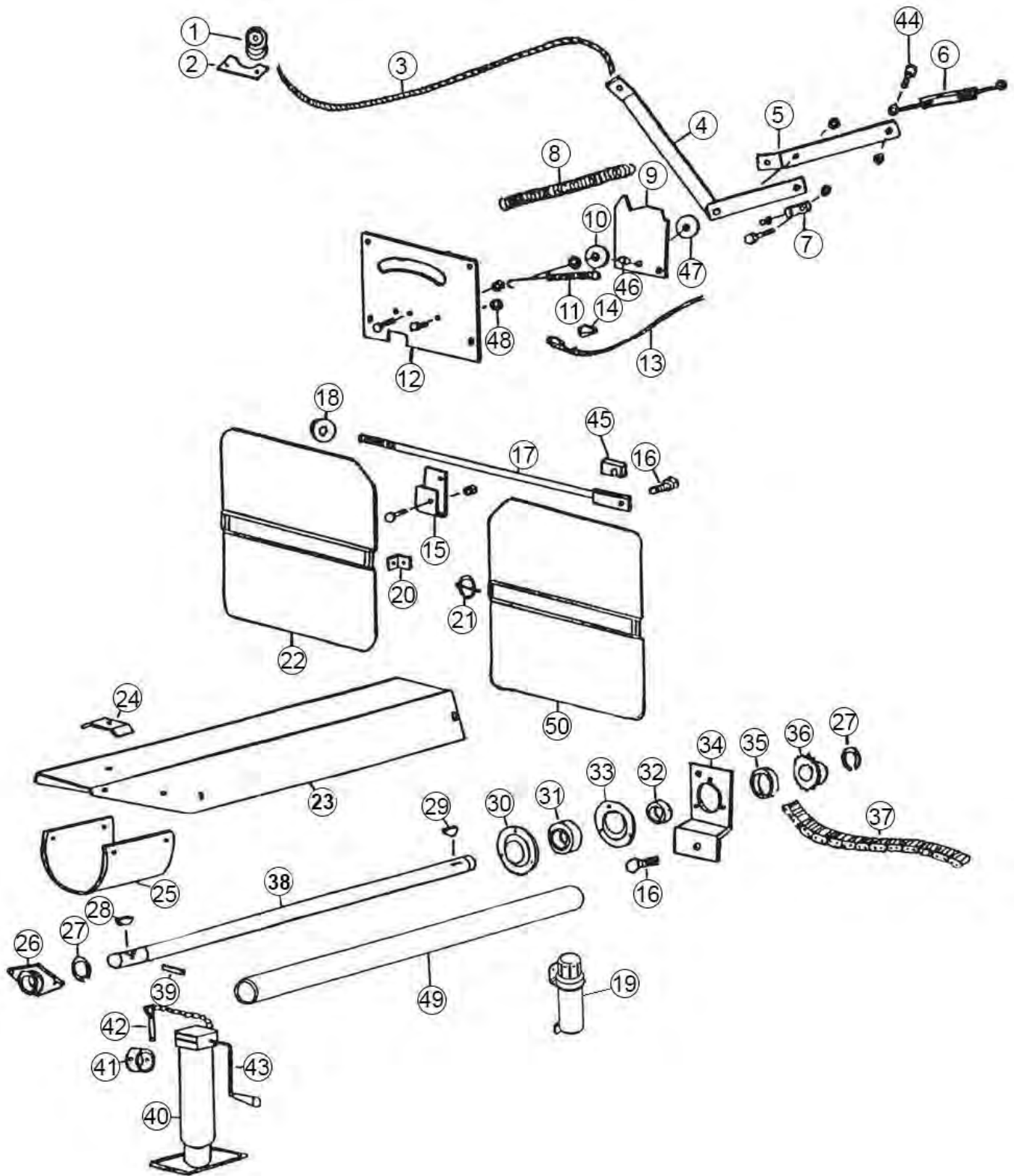
## **FIGURE 3**

### **FRONT SHIELDS/DRIVE ASSEMBLY**

<b><u>ITEM</u></b>	<b><u>QTY</u></b>	<b><u>PART #</u></b>	<b><u>DESCRIPTION</u></b>
1	1	F33	CABLE GUIDE
2	1	23N182	BRACKET
3	1	23N183	ROPE (15)
4	1	23N280	SHIFTER LEVER
5	1	23N281	PIVOT LINK
6	1	F84	TURNBUCKLE
7	1	23N282	SHIFTER DOG
8	1	10R14	SPRING
9	1	23N283	STOP BRACKET
10	1	YWCU12005	WASHER, CUSTOM, FLAT
11	1	23N284	SHIFTER DOG SPRING
12	1	23N285	FRONT PANEL
13	1	27N40	CABLE
14	1	ES14	CABLE LOOP
15	1	23N287	SPRING BRACKET
16	1	YBHH16045	BOLT HEX, 1/2 X 1-1/4 G5
17	1	23N63	TIGHTENER ROD
18	1	F129	WASHER
19	1	S522	MAUNAL HOLDER
20	1	F92	SHIELD BRACKET
21	2	S122	LINCH PIN W/LANYARD
22	1	23N305	FRONT SHIELD RH
23	1	23N66	SHIELD
24	1	23N67	HOSE BRACKET
*	1	HE42	HYDRAULIC DRIVE BRACKET
25	1	F54	PTO RUBBER SHIELD
26	1	12N29	BEARING
27	2	F73	SNAP RING

**\* MEANS NOT SHOWN**

**FIGURE 3**  
**FRONT SHIELDS/DRIVE ASSEMBLY**



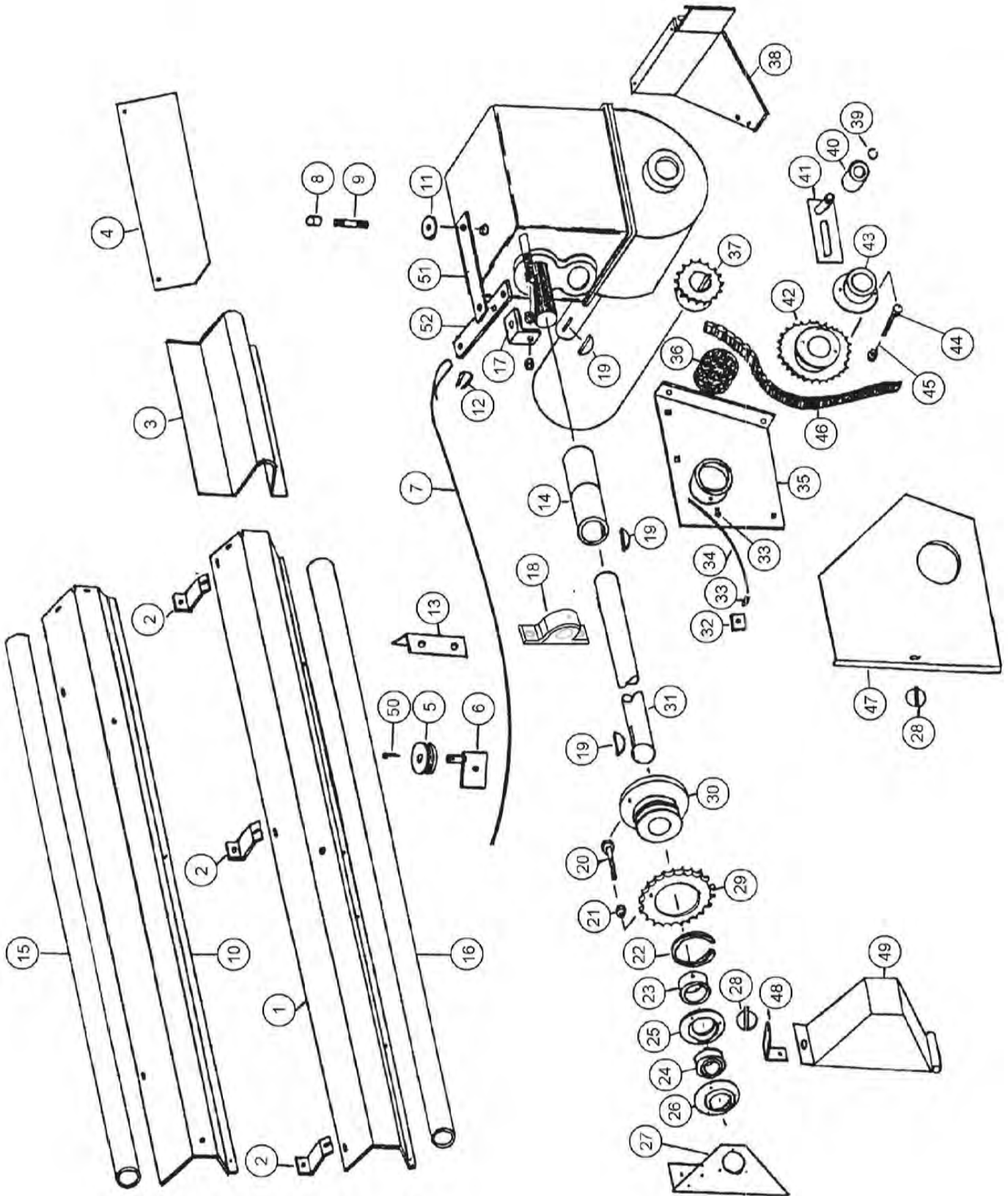
## FIGURE 3

### FRONT SHIELDS/DRIVE ASSEMBLY

<u>ITEM</u>	<u>QTY</u>	<u>PART #</u>	<u>DESCRIPTION</u>
28	1	5B10	KEY, 1/4 X 1
29	1	5B9	WOODRUFF KEY, 3/8 X 1-1/4
30	1	F114	FLANGE 1-1/4 W/STRAIGHT ZERK
31	1	12N122	BEARING W/ LOCK COLLAR 1-1/4
32	1	12N122	BEARING W/ LOCK COLLAR 1-1/4
33	1	F14	BEARING FLANGE
34	1	23N68	ADJUSTMENT PLATE FRONT
35	1	23N69	SPACER
36	1	23N70	SPROCKET (25T)
37	1	23N245	ROLLER CHAIN (#60, 125P)
38	1	23N72	FRONT SHAFT
39	1	YPEX10020	EXPANSION PIN, 5/16 X 2-1/4
40	1	27N49	JACK
*	1	12N120	JACK GEAR REP. KIT
41	1	27N51	JACK MOUNT
42	1	27N50	JACK PIN
43	1	12N119	HANDLE
44	1	YBCR12010	BOLT CARRIAGE, 3/8 X 1 G5
45	1	23N278	TIGHTENER SPACER
46	1	23N297	TUBE, RND, STR
47	1	YWCU12005	WASHER, CUSTOM, FLAT
48	1	ST81	SPACER EXTENSION
49	1	37N74	FRONT SHAFT GUARD
50	1	23N306	FRONT SHIELD LH

\* MEANS NOT SHOWN

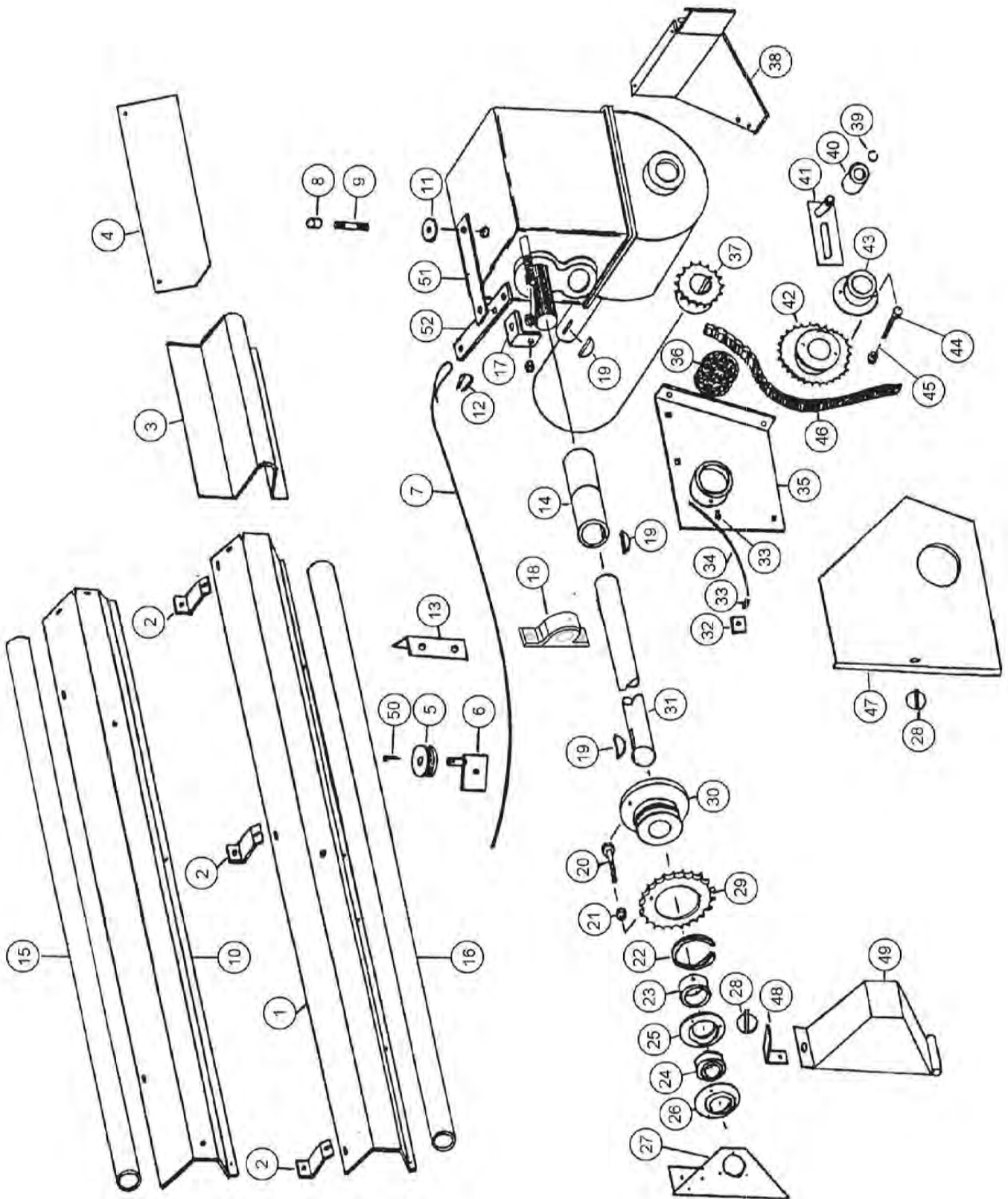
**FIGURE 4**  
**BACK SHIELDS/DRIVE ASSEMBLY**



**FIGURE 4**  
**BACK SHIELDS/DRIVE ASSEMBLY**

<b><u>ITEM</u></b>	<b><u>QTY</u></b>	<b><u>PART #</u></b>	<b><u>DESCRIPTION</u></b>
1	1	27N39	SIDE SHIELD
2	3	23N248	SIDE SHIELD BRACKET
3	1	23N292	COUPLER SHIELD
4	1	23N250	POLY SHIELD
5	1	23N251	POLY PULLEY
6	1	23N252	PULLEY MOUNT
7	1	27N40	CABLE
8	1	17G58	VENT CAP
9	1	23N288	PIPE NIPPLE
10	1	27N34	BACK SIDE SHIELD
11	1	17G61	WASHER
12	1	ES14	CABLE LOOP
13	1	23N269	BEARING BRACKET
14	1	17G65	COUPLER
15	1	23N42	2ND SIDE SHAFT GUARD
16	1	23N41	1ST SIDE SHAFT GUARD
17	1	23N291	SHIFTER ROD ANGLE
18	1	12N36	COMPLETE BEARING
19	1	5B9	WOODRUFF KEY, 3/8 X 1-1/4
20	1	YBHH10030	BOLT HEX, 5/16 X 1-1/2 G5
21	1	YNL10005	NUT HEX, TOP LOCK, 5/16
22	1	23N189	SNAP RING
23	1	12N122	BEARING W/ LOCK COLLAR 1-1/4
24	1	12N122	BEARING W/ LOCK COLLAR 1-1/4
25	1	F114A	FLANGE
26	1	F14	BEARING FLANGE
27	1	23N254	SIDE BEARING PANEL
28	1	S122	LINCH PIN W/LANYARD
29	1	23N191	SPROCKET (30T)
30	1	23N190	SHEAR HUB
31	1	27N33	SIDE SHAFT

**FIGURE 4**  
**BACK SHIELDS/DRIVE ASSEMBLY**



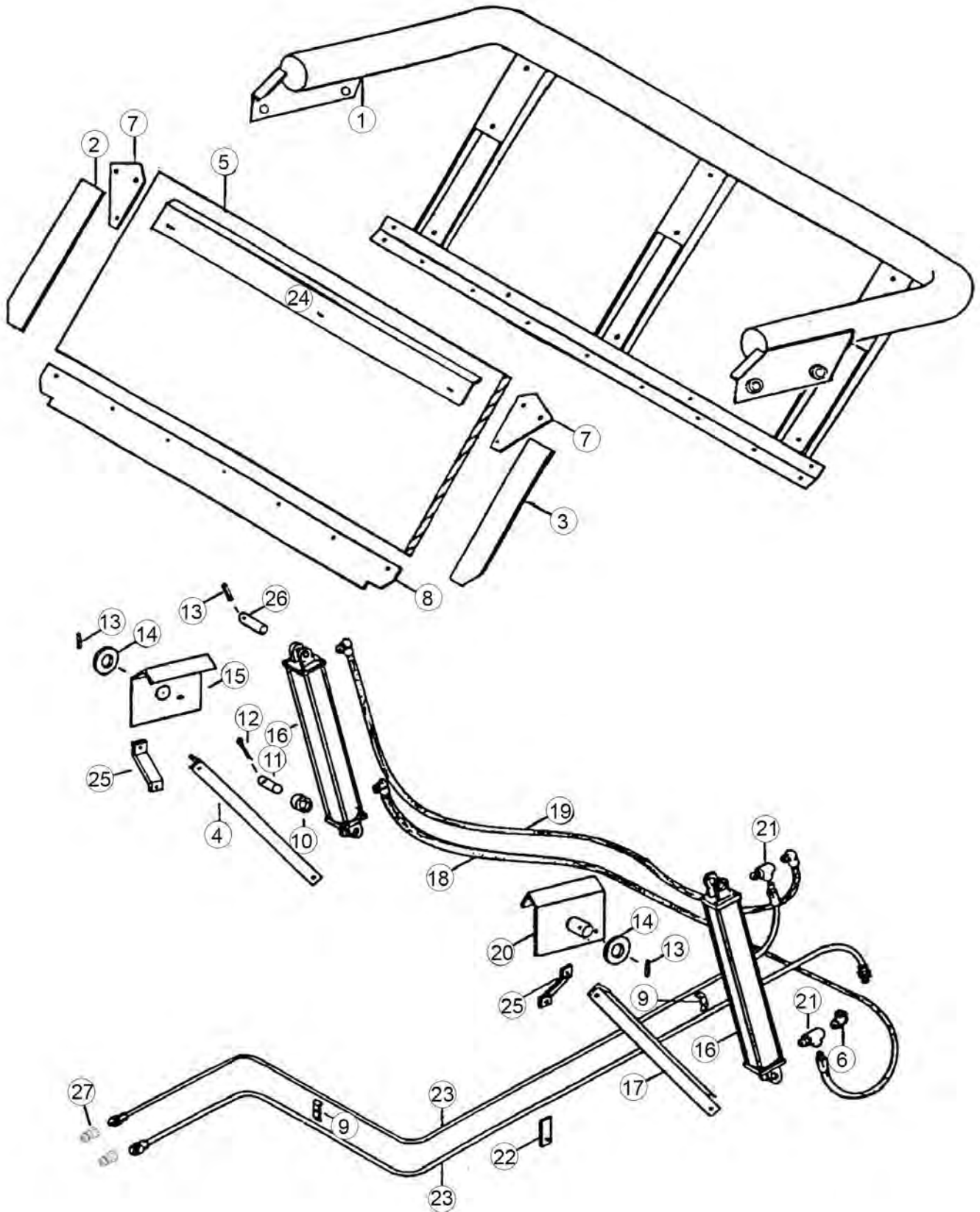
## FIGURE 4

### BACK SHIELDS/DRIVE ASSEMBLY

<u>ITEM</u>	<u>QTY</u>	<u>PART #</u>	<u>DESCRIPTION</u>
32	1	16V9	GREASE ZERK BLOCK
33	2	S47	GREASE LINE FITTING
34	1	23N256	GREASE LINE
35	1	23N257	DRIVE SHAFT MOUNT LH
36	1	23N258	CHAIN OILER
37	1	17G67	WORM GEAR SPROCKET
38	1	23N259	GEARBOX BRACE
39	1	10R32	SNAP RING
40	1	23N238	ROLLER CHAIN TIGHTENER
41	1	17G69	CHAIN TIGHTENER BRACKET
42	1	17G68	SHEAR HUB SPROCKET-STANDARD (32T)
*	1	17G170	SLOW DOWN SPROCKET (40T)
*	1	23N279	SPEED UP SPROCKET (25T)
43	1	17G71	SHEAR HUB
44	1	YBHH10030	BOLT HEX, 5/16 X 1-1/2 G5
45	1	YNL10005	NUT HEX, TOP LOCK, 5/16
46	1	23N260	ROLLER CHAIN (#60, 55P)
47	1	23N261	DRIVE SHIELD
48	1	23N242	SHIELD ANGLE
49	1	22G21	SHIELD
50	1	YPCT04005	COTTER PIN, 1/8 X 1
51	1	23N289	SHIFTER ROD LEVER FULCRUM
52	1	23N290	SHIFTER ROD LEVER

\* MEANS NOT SHOWN

**FIGURE 5**  
**HYDRAULIC ENDGATE ASSEMBLY**





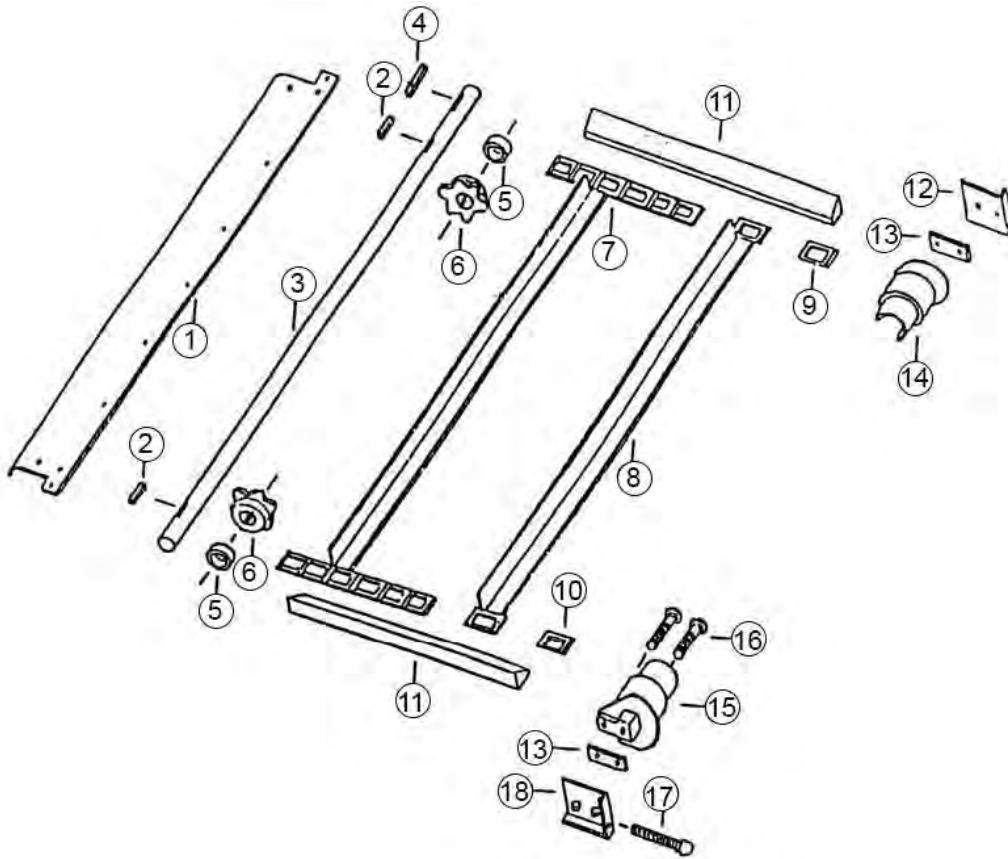
# FIGURE 5

## HYDRAULIC ENDGATE ASSEMBLY

<u>ITEM</u>	<u>QTY</u>	<u>PART #</u>	<u>DESCRIPTION</u>
1	1	23N298	TAILGATE FRAME
2	1	23N99	SIDE RUBBER RH
3	1	23N100	SIDE RUBBER LH
4	1	23N233	TAILGATE BRACKET BRACE
5	1	23N274A	TAILGATE PLYWOOD WITH FIBERGLASS
6	1	23N234	90° STREET ELBOW, 3/8
7	2	23N104	TAILGATE CORNER
8	1	23N105	BOTTOM RUBBER
9	2	23N67	HOSE BRACKET
10	1	K132	SPACER
11	1	23N107	CYLINDER PIN
12	1	YPCT07005	COTTER PIN, 7/32 X 2
13	2	YPEX10015	EXPANSION PIN, 5/16 X 1-3/4
14	2	23N109	WASHER
15	1	23N299	TAILGATE MOUNT RH
16	1	56015	HYD CYLINDER (2 X 16)
17	1	23N231	BRACE
18	1	23N113	HOSE (96 IN)
19	1	23N114	HOSE (138 IN)
20	1	23N300	TAILGATE MOUNT LH
21	2	23N116	TEE
22	1	23N117	HOSE HOLDER
23	2	27N47	HOSE (298 IN)
24	1	23N163	TAILGATE POLY HOLD DOWN
25	1	23N232	TAILGATE BRACKET BRACE
26	1	23N301	CYLINDER PIN
27	2	DWM205	MALE QUICK COUPLER

# FIGURE 6

## APRON CHAIN ASSEMBLY

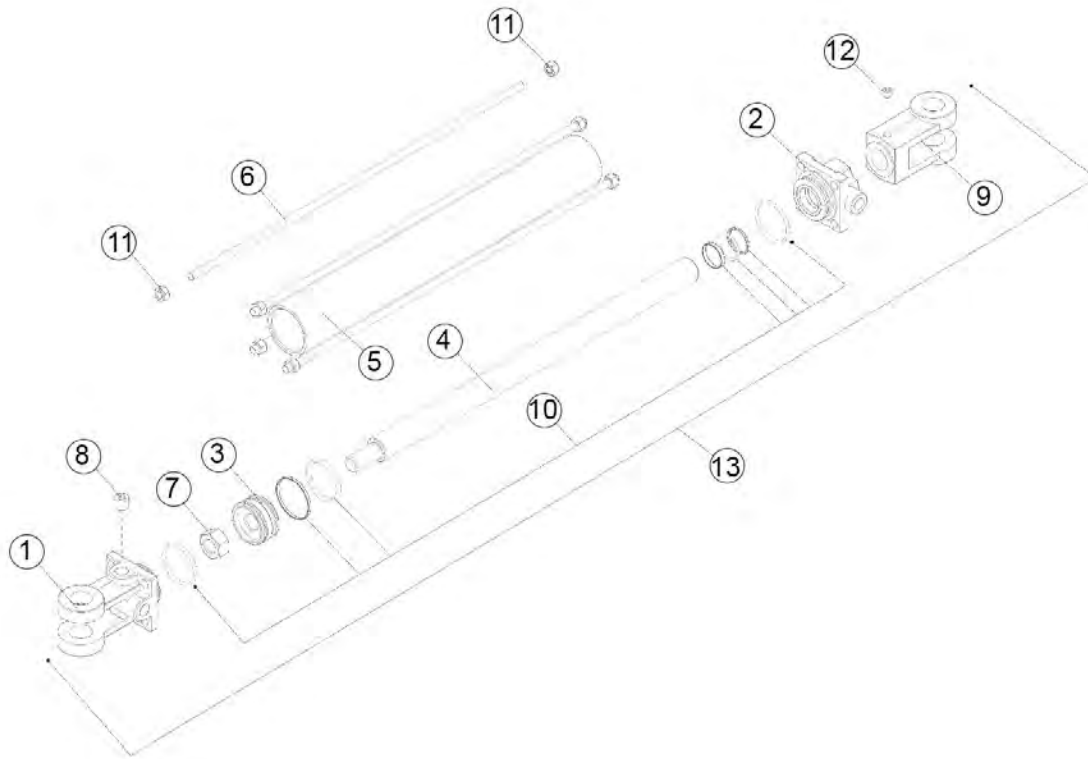


<u>ITEM</u>	<u>QTY</u>	<u>PART #</u>	<u>DESCRIPTION</u>
1	1	23N119	POLY HOLD DOWN REAR
2	2	23N303	SQUARE KEY, 3/8 X 1-3/4
3	1	27N35	DRIVE SHAFT
4	2	A32	SQUARE KEY W/ ROUND ENDS 3/8 X 1-3/8
5	2	23N121	SPACER
6	2	23N122	DRIVE SPROCKET (6T)
7	1	27N20	APRON CHAIN 20 SLATS, 244 LINKS
8	1	23N124	SLAT W/ ATTACHMENT LINK
9	1	S55	T-ROD STANDARD LINK
10	1	S55	T-ROD STANDARD LINK
11	2	27N21	APRON CHAIN SIDE SPACERS
12	1	A30	CHAIN SLIDE PLATE
13	2	23N126	CHAIN SLIDE SPACER
14	1	23N127	T-ROD SLIDE LH
15	1	23N128	T-ROD SLIDE RH
16	2	YBCR16045	BOLT CARRIAGE, 1/2 X 4 G5
17	1	YBHH16140	BOLT HEX, 1/2 X 4-1/2 G5
18	1	A29	CHAIN SLIDE PLATE

\* MEANS NOT SHOWN

# FIGURE 7

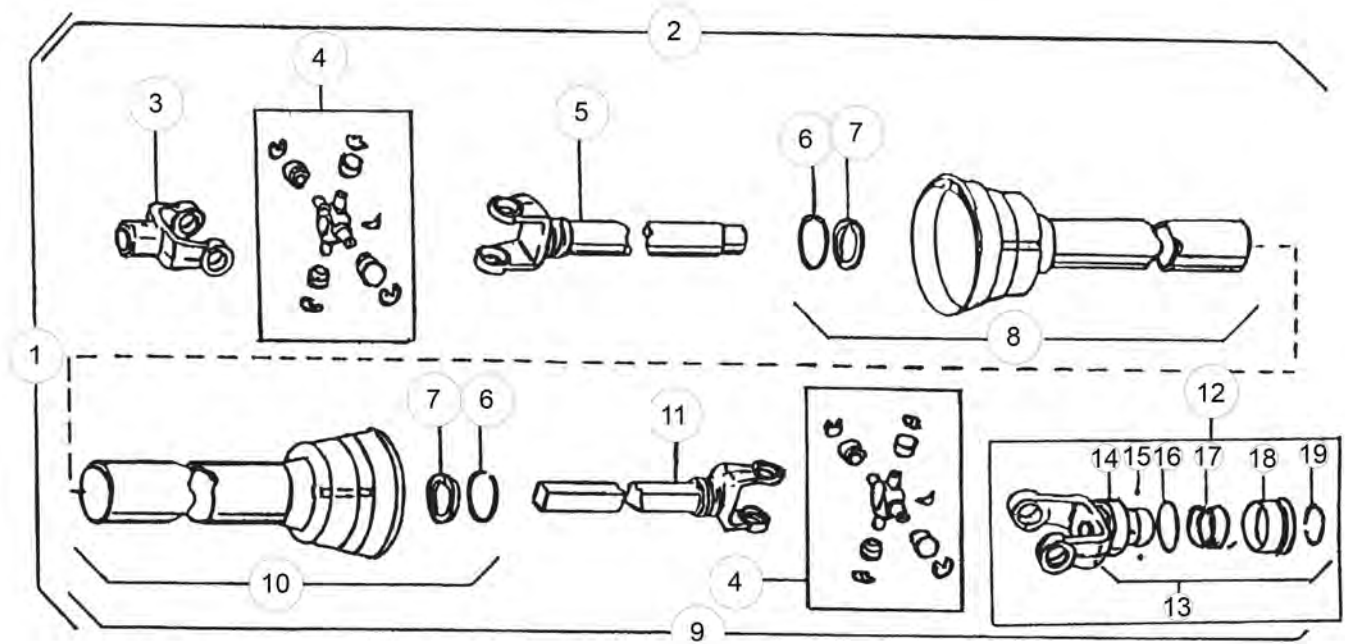
## HYDRAULIC ENDGATE CYLINDER



<u>ITEM</u>	<u>QTY</u>	<u>PART #</u>	<u>DESCRIPTION</u>
1	1	23N142A	CLEVIS CAP FOR 2 IN CYLINDERS
2	1	56174	ROD CAP
3	1	56180	PISTON FOR 2 IN CYLINDER
4	1	23N145A	ROD
5	1	23N146	CYLINDER TUBE
6	4	23N147	SHAFT, RND, 0.33 X 20.19
7	1	23N148	PISTON NUT
8	1	23N149	PLUG
9	1	23N150A	ROD CLEVIS
10	1	56187	SEAL KIT FOR 2 IN CYLINDER
11	8	YNHX12006	NUT, HEX, 3/8 G2
12	1	YSS012015	SET SCREW, SOCKET, 3/8 X 3/8
13	1	56015	HYDRAULIC CYLINDER (2 X 16)

# FIGURE 8

## PTO ASSEMBLY

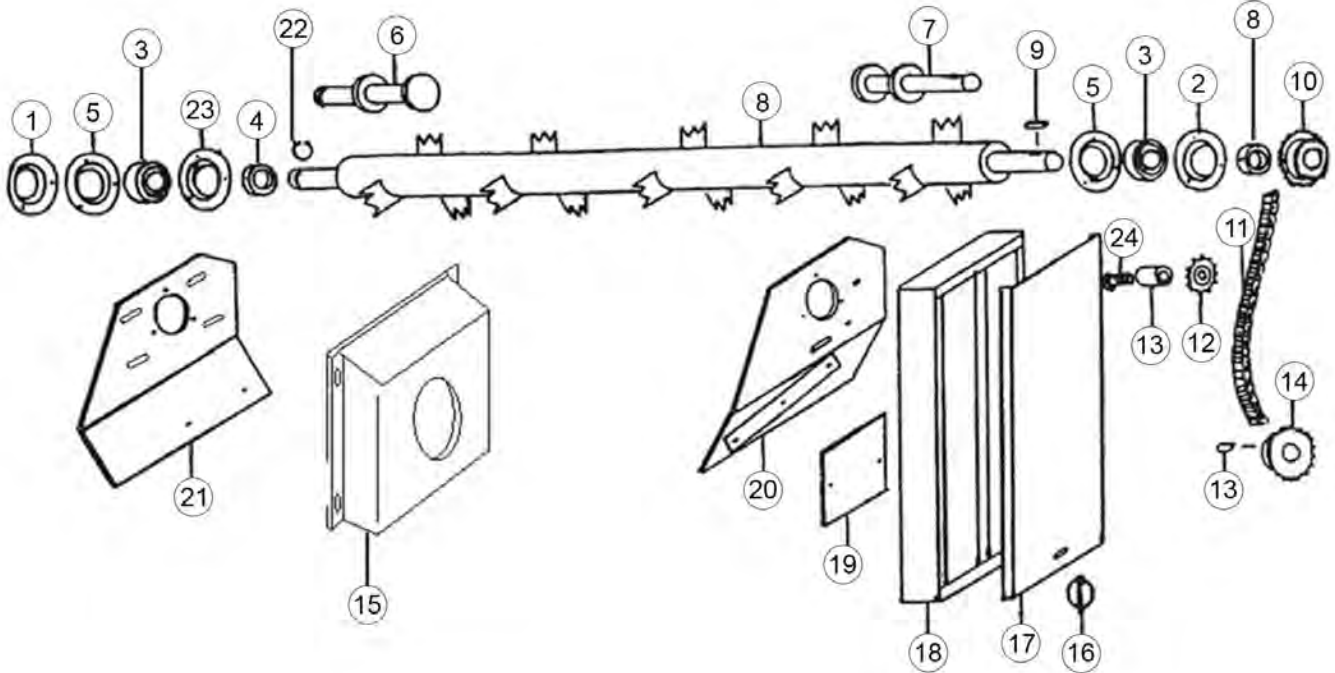


<u>ITEM</u>	<u>QTY</u>	<u>PART #</u>	<u>DESCRIPTION</u>
1	1	23N152	COMPLETE PTO W/ SHIELDS
2	1	23N153	MACHINE HALF PTO W/ SHIELD
3	1	G1R35	END YOKE MACHINE HALF
4	2	14NWKIT	REPAIR KIT
5	1	23N155	YOKE AND TUBE
6	2	24N26	BEARING RETAINER
7	2	4N20	NYLON BEARING
8	1	23N156	INNER GUARD INCLUDING ITEM #6 & #7
9	1	23N157	TRACTOR HALF PTO W/ SHIELD
10	1	23N158	OUTER GUARD INCLUDING ITEM #6 & #7
11	1	23N159	YOKE AND SHAFT
12	1	23N162	LOCK YOKE ASSEMBLY
13	1	S225	SPRING LOCK REPAIR KIT
14		S226	COVER
15		S212	STAINLESS BALL
16		S227	WASHER
17		S228	SPRING
18		S229	COLLAR ASSEMBLY
19		S215	RETAINING RING
*	1	S402	PTO SAFETY MANUAL

\* MEANS NOT SHOWN

## FIGURE 9

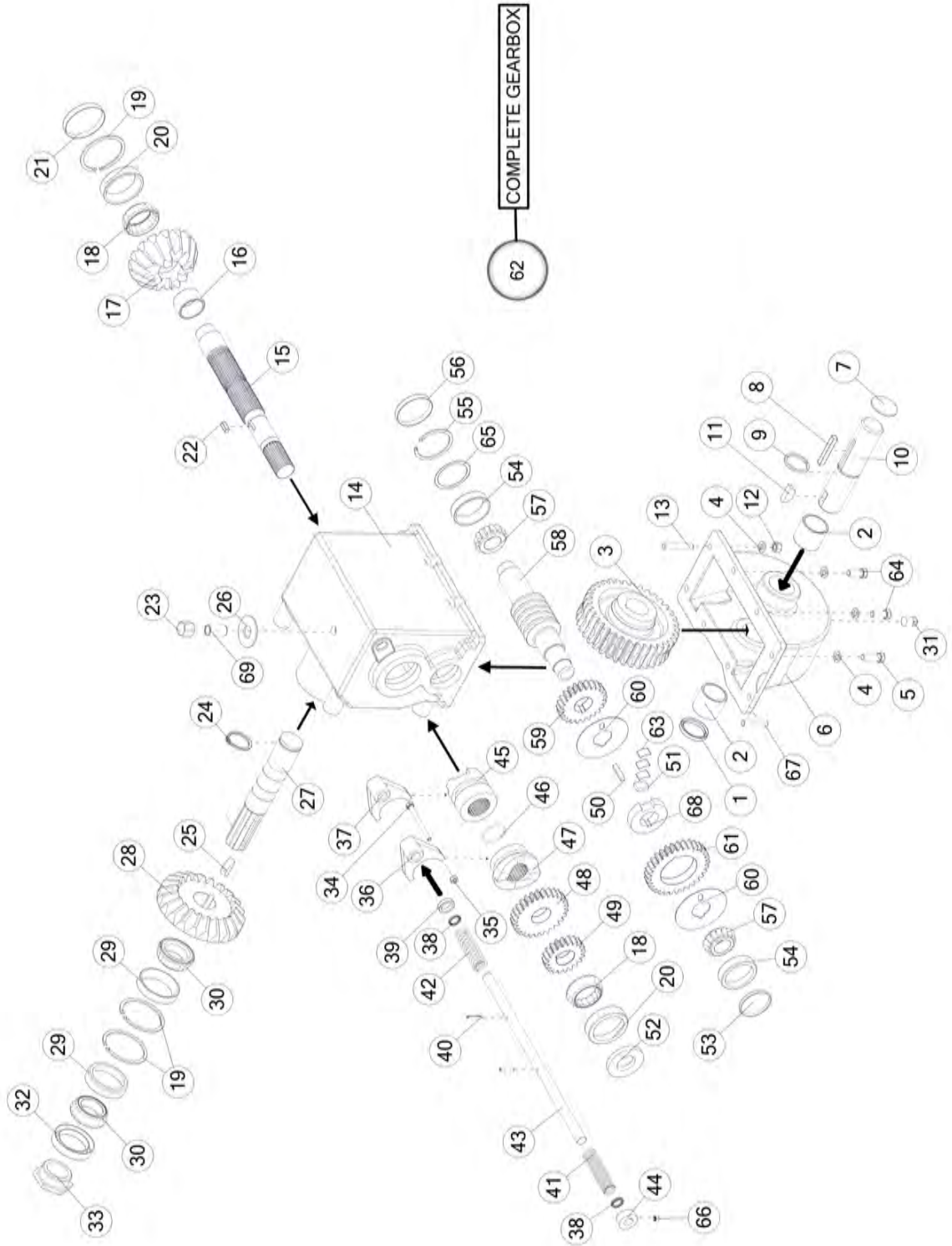
### OPTIONAL 2ND BEATER



<u>ITEM</u>	<u>QTY</u>	<u>PART #</u>	<u>DESCRIPTION</u>
1	1	77318	BEARING FLANGE
2	1	F114A	BEARING FLANGE W/45 DEG ZERK
3	2	12N122	BEARING W/LOCK COLLAR 1-1/4
4	2	12N122	BEARING W/LOCK COLLAR 1-1/4
5	2	F14	BEARING FLANGE W/ZERK
6	1	23N164	STUB SHAFT LH
7	1	23N165	STUB SHAFT RH
8	1	23N166	SECOND BEATER
9	1	G23	SQUARE KEY, 5/16 X 1-1/4
10	1	D18	SPROCKET (16T)
11	1	23N167	ROLLER CHAIN, (#50, 81 PITCHES)
12	1	12N42	IDLER SPROCKET (15T)
13	1	23N168	SPACER
14	1	F13	SPROCKET (20T)
15	1	57216	BEARING PROTECTOR
16	1	S122	LYNCH PIN W/CABLE
17	1	23N169	COVER
18	1	23N170	SHIELD
19	1	23N171	SHIELD
20	1	23N172	BEATER PANEL RH
21	1	23N173	BEATER PANEL LH
22	1	F73	SNAP RING
23	1	F114A	BEARING FLANGE W/45 DEG ZERK
24	1	YBCR1604	BOLT CARRIAGE, 1/2 X 3-1/2 G5

# FIGURE 10

## GEARBOX



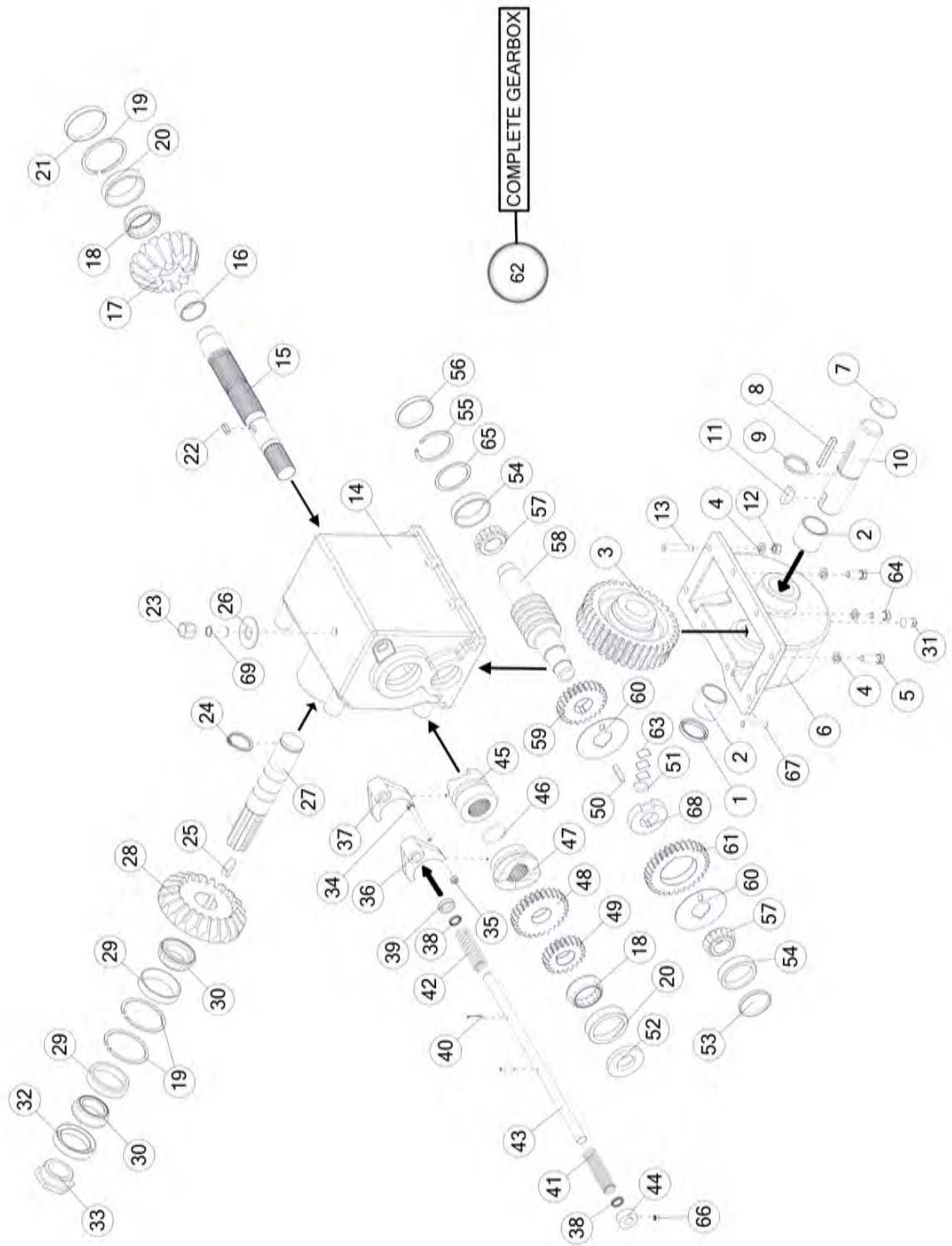
# FIGURE 10

## GEARBOX

<u>ITEM</u>	<u>QTY</u>	<u>PART #</u>	<u>DESCRIPTION</u>
1	1	17G133	SEAL
2	2	17G134	BRONZE BUSHING
3	1	17G137	WORM GEAR (36T)
4	8	YWLO12005	WASHER LOCK, 3/8
5	2	YBHH12035	BOLT HEX, 3/8-16 X 1-1/4 G5
6	1	17G107	LOWER GEARBOX HOUSING
7	1	17G139	CAP
8	1	17G132	SQUARE KEY
9	1	17G135	SNAP RING
10	1	17G136	WORM GEAR SHAFT
11	1	5B9	WOODRUFF KEY
12	2	YNHX12005	NUT HEX, 3/8 G2
13	2	17G140	SCR, STUD, 0.38-16 X 1.81
14	1	17G99	UPPER GEARBOX HOUSING
15	1	17G108A	SHAFT
16	1	17G111	BRONZE BUSHING
17	1	17G110	BEVEL GEAR
18	2	G18	TAPER BEARING
19	3	G55	SNAP RING
20	2	18VB25	RACE
21	1	G68	CAP
22	1	17G116	SQUARE KEY
23	1	17G58	VENT CAP
24	1	12V62	HEAVY DUTY EXTERNAL SNAP RING, 1.50
25	1	G61	WOODRUFF KEY
26	1	YWFL24005	WASHER FLAT, 3/4
27	1	17G104	SHAFT, RND
28	1	17G101	BEVEL GEAR (22T)
29	2	17G102	RACE
30	2	17G103	TAPER BEARING
31	1	G65	PIPE PLUG, 3/8 NPT

# FIGURE 10

## GEARBOX



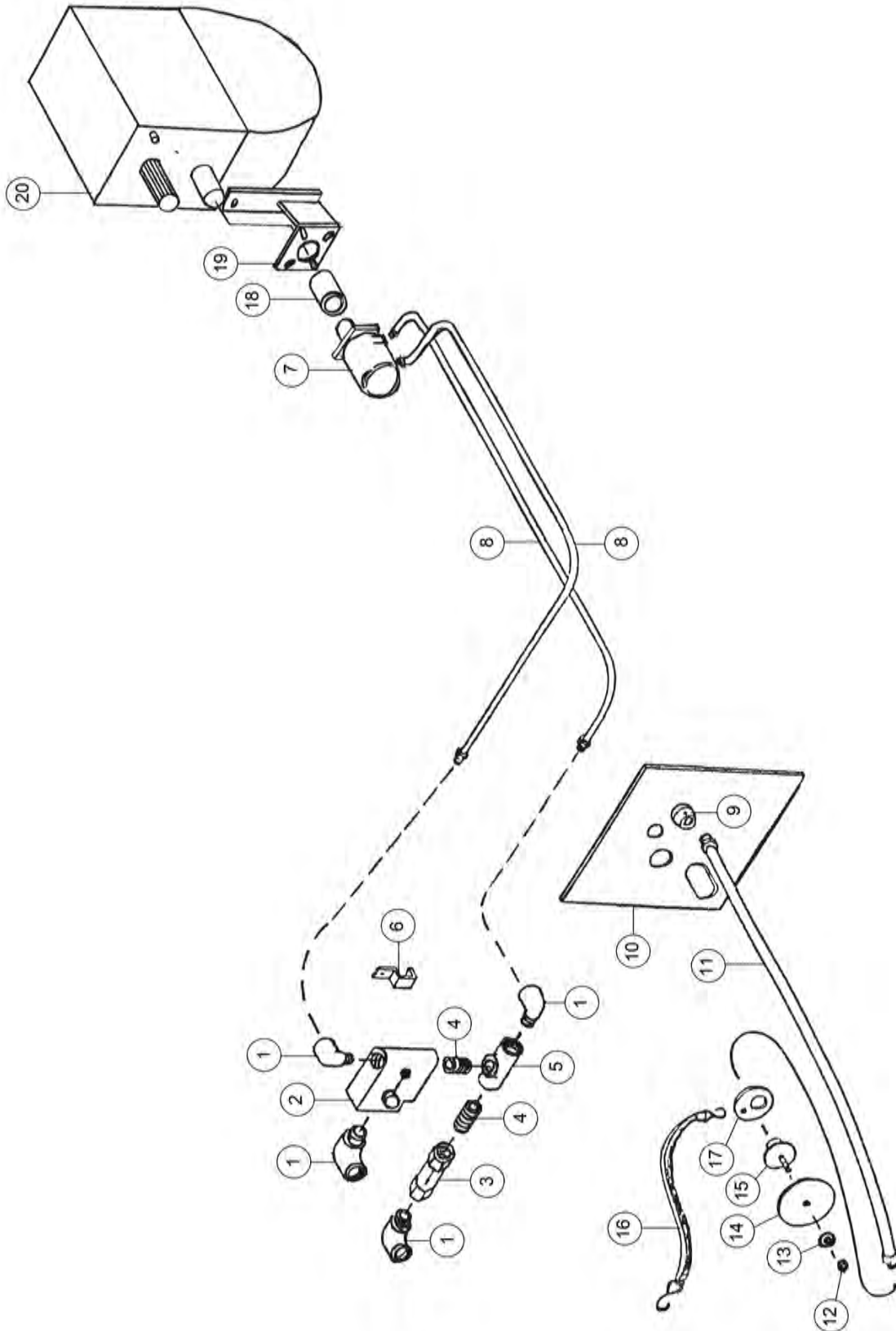


# FIGURE 10

## GEARBOX

<u>ITEM</u>	<u>QTY</u>	<u>PART #</u>	<u>DESCRIPTION</u>
32	1	17G105	SEAL
33	1	17G106	NUT HEX
34	1	YBHH08090	BOLT HEX, FULL THREAD 1/4 X 3 G2
35	1	YNHX08007	NUT HEX, 1/4 G5
36	1	17G125	HIGH SPEED SHIFTER YOKE
37	1	17G129	BEATER SHIFTER YOKE
38	2	17G121	SEAL
39	1	17G122	TUBE, RND, STR
40	2	17G123	ROLL PIN
41	1	17G128	SPING
42	1	17G130	SPRING
43	1	17G131	SHIFTER ROD
44	1	17G171	COLLAR LOCK
45	1	17G109	BEATER CLUTCH
46	1	17G169A	SNAP RING
47	1	17G119	HIGH SPEED CLUTCH
48	1	17G118	GEAR W/CLUTCH (28T)
49	1	17G115	GEAR (20T)
50	1	S135	SQUARE KEY
51	1	17G124	KEY
52	1	S136	SEAL
53	1	17G100	CAP
54	2	3G18	RACE
55	1	3G19	RETAINING RING
56	1	G90	CAP
57	2	L3G24	TAPER BREARING
58	1	17G120	SHAFT, RND
59	1	17G117	GEAR (24T)
60	2	17G112	WASHER, FLAT
61	1	17G113	GEAR W/ CLUTCH (32T)
62	1	17G142	COMPLETE GEARBOX
63	3	17G126	DOG SPRING
64	4	YBHH12010	BOLT HEX, 3/8 X 1 G5
65	1	G92	SHIM
66	1	YSKP10015	SET SCREW, 5/16 X 5/16
67	1	17G138	SCR, STUD, 0.38-16 X 2.0
68	1	17G114	GEAR HUB W/CLUTCH
69	1	23N288	PIPE NIPPLE

**FIGURE 11**  
**4-HOSE HYDRAULIC DRIVE**

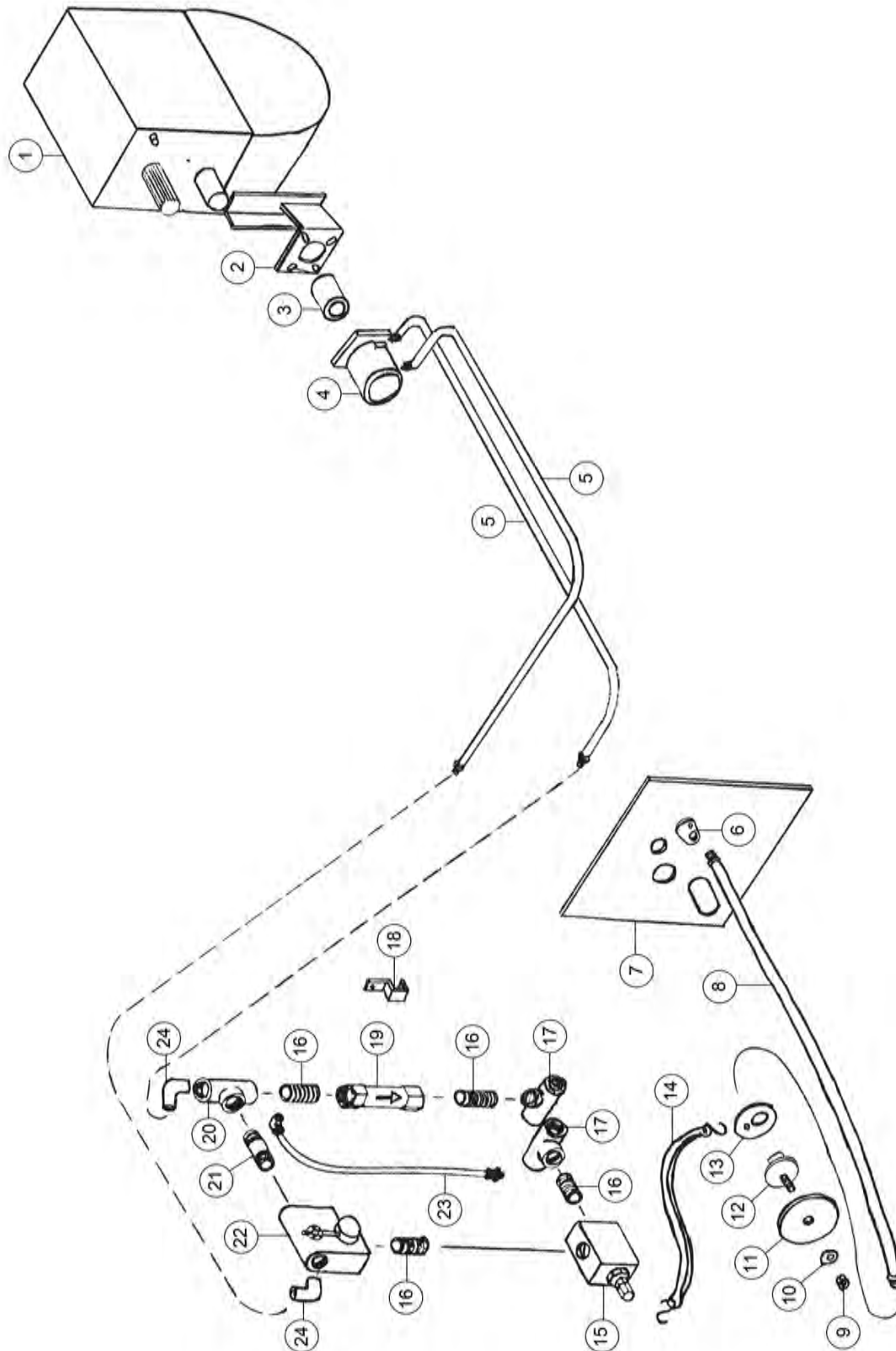


## FIGURE 11

### 4-HOSE HYDRAULIC DRIVE

<u>ITEM</u>	<u>QTY</u>	<u>PART #</u>	<u>DESCRIPTION</u>
1	4	HE58	STREET ELBOW, 90 DEGREE
2	1	DF15	SPEED CONTROL
3	1	DF18	CHECK VALVE
4	2	DF7	NIPPLE
5	1	DF8	TEE
6	1	HE14	HOSE BRACKET
7	1	DF1	HYDRAULIC MOTOR
8	2	23N132	HYDRAULIC MOTOR
9	1	DF21	HOSE REDUCER
10	1	23N133	CONTROL PANEL
11	1	DF9	HOSE FOR HANDLE
12	1	YN12005	HEX NUT, TOP LOCK, 3/8
13	1	DF12	WASHER
14	1	DF11	HANDLE
15	1	DF10	HANDLE BRACKET
16	1	DF14	STRAP
17	1	DF22	RING FOR STRAP
18	1	17G161	COUPLER
19	1	17G162	MOUNTING BRACKET
20	1	17G163	COMPLETE GEARBOX

**FIGURE 12**  
**2-HOSE HYDRAULIC DRIVE**



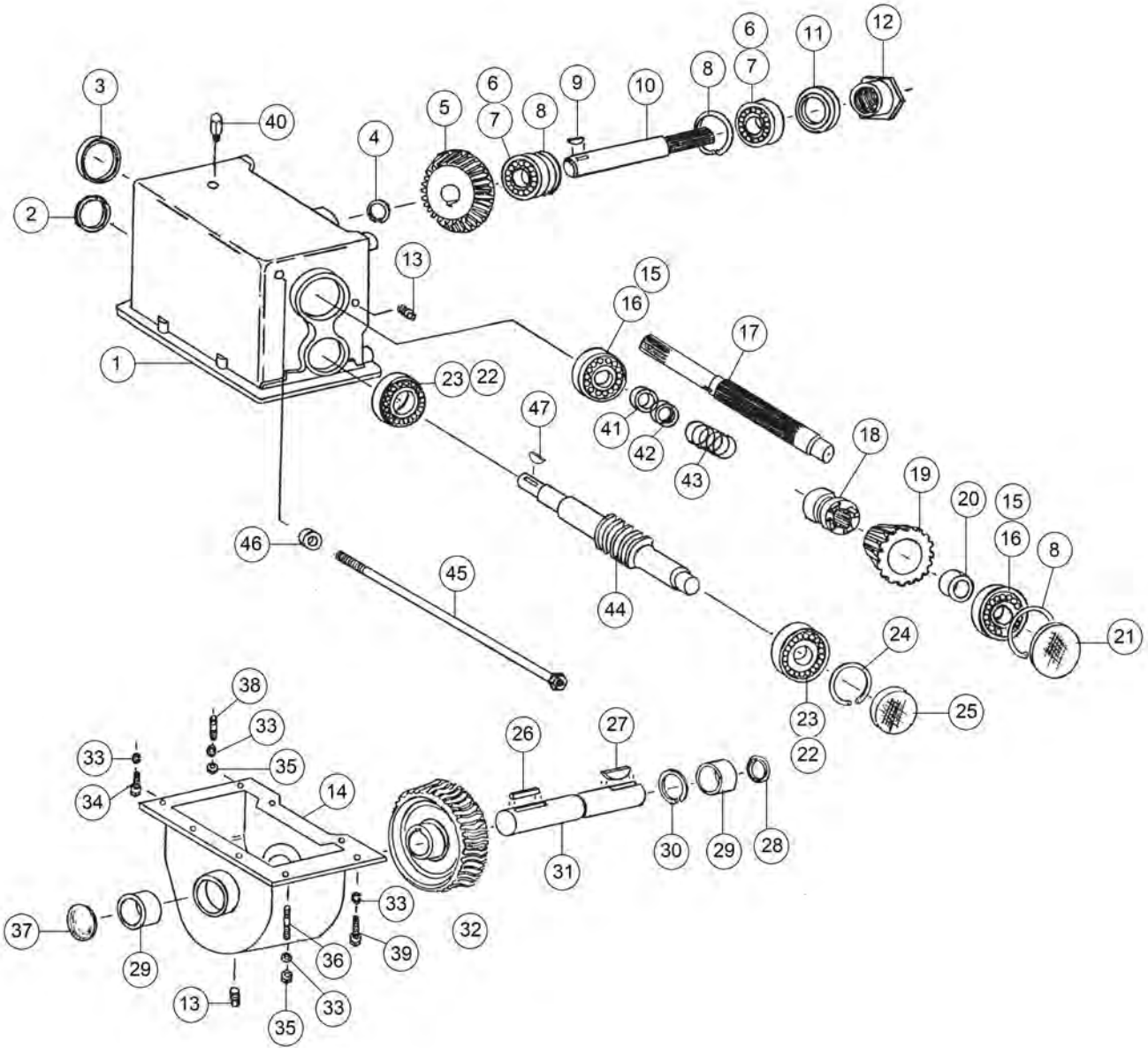
## FIGURE 12

### 2-HOSE HYDRAULIC DRIVE

<u>ITEM</u>	<u>QTY</u>	<u>PART #</u>	<u>DESCRIPTION</u>
1	1	17G163	COMPLETE GEARBOX
2	1	17G162	MOUNTING BRACKET
3	1	17G161	COUPLER
4	1	DF1	HYDRAULIC MOTOR
5	2	23N132	HYDRAULIC MOTOR HOSE
6	1	DF21	REDUCER
7	1	23N133	CONTROL PANEL
8	1	DF9	HOSE FOR HANDLE
9	1	YNTL12005	HEX NUT, TOP LOCK, 3/8
10	1	DF12	WASHER
11	1	DF11	HANDLE
12	1	DF10	HANDLE BRACKET
13	1	DF22	RING FOR STRAP
14	1	DF14	STRAP
15	1	DF6	SEQUENCE VALVE
16	4	DF7	NIPPLE
17	1	DF8	TEE
18	1	HE14	HOSE BRACKET
19	1	DF18	CHECK VALVE
20	1	DF19	TEE
21	1	DF17	NIPPLE
22	1	DF15	SPEED CONTROL
23	1	DF16	DRAIN HOSE
24	1	HE58	STREET ELBOW, 90 DEGREE

# FIGURE 13

## HYDRAULIC DRIVE GEARBOX



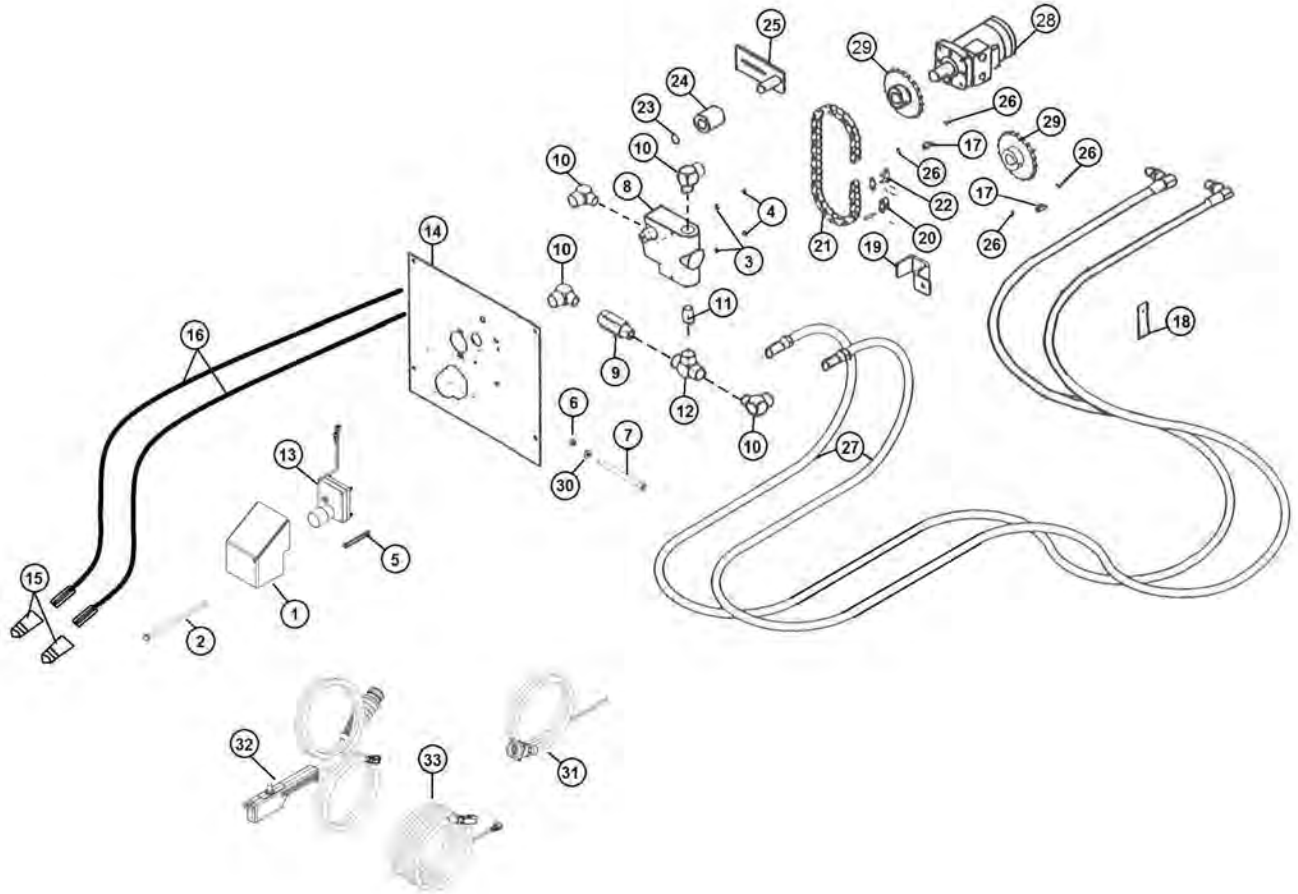
## FIGURE 13

### HYDRAULIC DRIVE GEARBOX

<u>ITEM</u>	<u>QTY</u>	<u>PART #</u>	<u>DESCRIPTION</u>
1	1	17G99	UPPER GEARBOX HOUSING
2	1	17G164	SEAL
3	1	S136	SEAL
4	1	12V62	RETAINING RING
5	1	17G101	GEAR (22T)
6	2	17G102	RACE
7	2	17G103	BEARING
8	3	G55	RETAINING RING
9	1	G61	WOODRUFF KEY, 3/8 X 1-1/4
10	1	17G104	BEATER OUTPUT SHAFT
11	1	17G105	SEAL
12	1	17G106	ADJUSTMENT NUT
13	1	G65	PLUG
14	1	17G107	LOWER GEAR HOUSING
15	2	G54	RACE
16	2	G18	BEARING
17	1	17G108A	INPUT SHAFT
18	1	17G109	BEATER CLUTCH
19	1	17G110	GEAR W/ CLUTCH (16T)
20	1	17G111	BUSHING
21	1	G68	CAP
22	2	3G18	RACE
23	2	L3G24	BEARING
24	1	3G19	RETAINING RING
25	1	G90	CAP
26	1	17G132	KEY, 5/16 X 2-1/4
27	1	5B9	WOODRUFF KEY, 3/8 X 1-1/4
28	1	17G133	SEAL
29	1	17G134	BUSHING
30	1	17G135	RETAINING RING
31	1	17G136	WORM GEAR OUTPUT SHAFT
32	1	17G137	WORM GEAR
33	8	YWLO12005	WASHER LOCK, 3/8
34	2	YBHH12010	BOLT HEX, 3/8 X 1 G5
35	1	YNHX12005	NUT HEX, 3/8
36	2	17G138	STUD, 3/8 X 2
37	1	17G139	CAP
38	2	17G140	STUD BOLT, 3/8 X 1-1/2
39	2	YBHH12035	BOLT HEX 3/8 X 1-1/4 G5
40	1	G24	PIPE PLUG
41	1	17G165	SPACER
42	1	A25	SPACER
43	1	23N89	SPRING
44	1	17G166	WORM SHAFT
45	1	17G167	BOLT
46	1	17G168	SPACER
47	1	5B10	KEY

\* MEANS NOT SHOWN

**FIGURE 14**  
**OPTIONAL ELECTRIC CONTROL FOR HYDRAULIC DRIVE**





## FIGURE 14

### OPTIONAL ELECTRIC CONTROL FOR HYDRAULIC DRIVE

<u>ITEM</u>	<u>QTY</u>	<u>PART #</u>	<u>DESCRIPTION</u>
1	1	81058	MOTOR SHIELD HOLDER
2	1	YBHH08127	SHIELD BOLT
3	2	YWLO08005	WASHER LOCK, 1/4
4	2	YNL08005	NUT HEX, 1/4 G2
5	2	YBCR08025	BOLT CARRIAGE, 1/4 X 2-1/2 G5
6	1	YNL12005	NUT HEX, 3/8
7	1	YSHS12020	BOLT 3/8 X 4-1/2
8	1	DF15A	FLOW CONTROL
9	1	DF18	CHECK VALVE
10	4	HE58	FIT, 90, 1/2NPT X 1/2NPT
11	1	DF4	FIT, STRAIGHT, 1/2NPT X 1/2NPT
12	1	DF8	FIT, TEE, 1/2NPT X 1/2NPT X 1/2NPT
13	1	81270	GEAR MOTOR
14	1	23N133	CONTROL PANEL
15	2	DWM205	MALE QUICK COUPLER
16	2	23N309	HYD HOSE, 8 X 96
17	2	5B10	WOODRUFF KEY, 1/4 X 1
18	1	23N117	HOSE HOLDER
19	1	HE14	PIPE BRACKET
20	1	X60	OFFSET LINK (#50)
21	1	23N131	ROLLER CHAIN (#50, 40 PITCHES)
22	1	X61	CONNECTOR LINK (#50)
23	1	10R32	EXTERNAL SNAP RING
24	1	23N238	CHAIN TIGHTENER ROLLER
25	1	L10R35	TIGHTENER BRACKET
26	2	YSKP10010	SCREW, SOCKET HEAD 5/16 X 3/8
27	2	77330	HYD HOSE, 6, 224IN
28	1	DF1	HYDRAULIC MOTOR
29	1	11S19	DRIVE SPROCKET (20T)
30	1	YWLO12005	WASHER LOCK, 1/4
31	1	16SV269	TRACTOR CONTROL HARNESS
32	1	63365	HAND CONTROLLER
33	1	16SV272	POWER SUPPLY CABLE









**H&S Manufacturing products are approved for the  
FEMA SEAL OF QUALITY**

**P.O. BOX 768, MARSHFIELD, WI 54449  
(715) 387-3414 FAX (715) 384-5463  
[www.hsmfgco.com](http://www.hsmfgco.com)**