

# **H&S** PARTS BOOK

## 3131 SPREADER



Revision #07  
Starting Ser. #911MS31001

HSMFG1018

PART#72464

Manufactured By  
**H&S MANUFACTURING CO., INC.**  
2608 S. HUME AVE. MARSHFIELD, WI 54449  
(715) 387-3414 FAX (715) 384-8736

# CONTENTS

Instructions for Ordering Parts - About Improvements . . . . .	1
Figure 1 - Beater and Pan Assembly. . . . .	2-3
Figure 2 - Hub,Spindle and Box Parts. . . . .	4-5
Figure 3 - Front Shield and Drive Assembly. . . . .	6-9
Figure 4 - Back Shield and Drive Assembly. . . . .	10-13
Figure 5 - Hydraulic Endgate Assembly. . . . .	14-15
Figure 6 - Apron Chain Assembly. . . . .	16-17
Figure 7 - Optional Hydraulic Drive Assembly . . . . .	18-19
Figure 8 - Worm Gearbox Assembly. . . . .	20-21
Figure 9 - Bevel Gearbox . . . . .	22-23
Figure 10 - Hydraulic Cylinder. . . . .	24-25
Figure 11 - PTO Assembly . . . . .	26-27
Figure 12 - PTO Assembly (1000RPM) . . . . .	28-29
Figure 13 - Optional Second Beater . . . . .	30-33
Figure 14 - Optional Electric Control for Hydraulic Drive. . . . .	34-35
Figure 15 - Electric Control . . . . .	36-37
Figure 16 - Optional Light Kit . . . . .	38-39
Parts Notes . . . . .	40

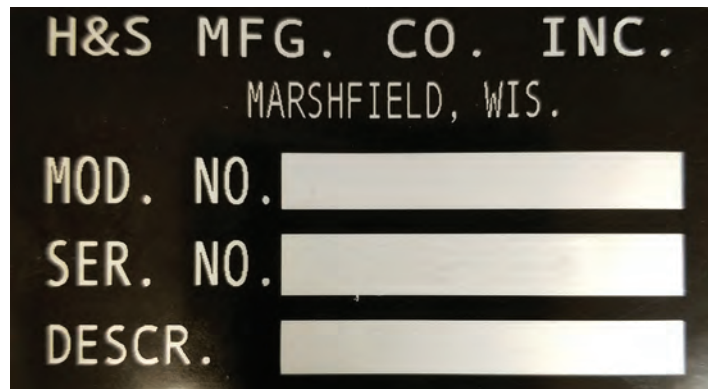
# **INSTRUCTIONS FOR ORDERING PARTS**

All service parts should be ordered through your authorized H&S dealer. He will be able to give you faster service if you will provide them with the following:

1. Model & Serial Number - Both can be located on the front PTO bearing support mount.
2. All references to left or right apply to the machine as viewed from the rear.
3. Parts should not be ordered from illustration only. Please order complete part number.
4. If your dealer has to order parts - give shipping instructions:

VIA truck - large pieces (please specify local truck lines)

VIA United Parcel Service (include full address)



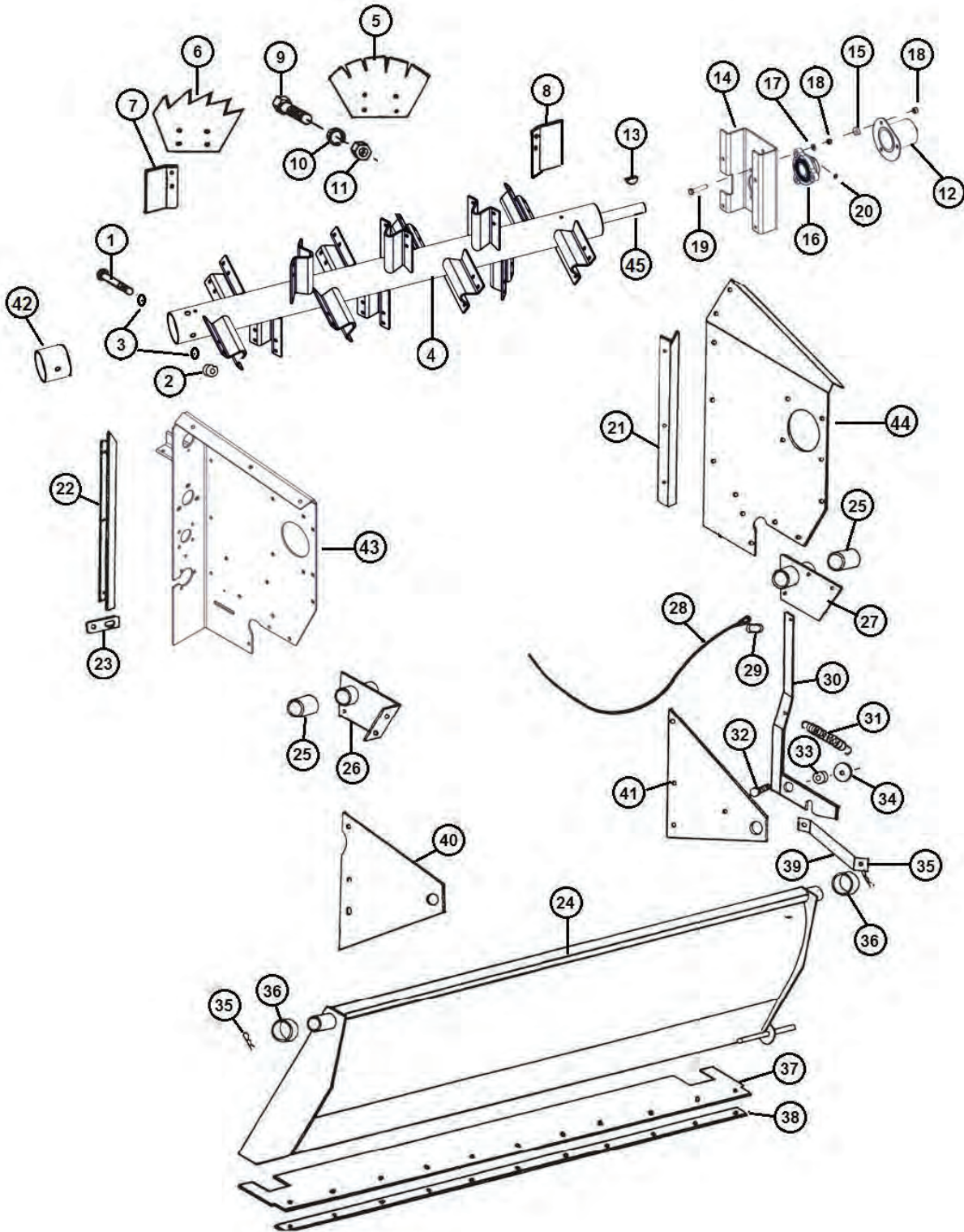
PLEASE RECORD NUMBERS FOR YOUR UNIT FOR QUICK REFERENCE

## **ABOUT IMPROVEMENTS**

H&S IS CONTINUALLY STRIVING TO IMPROVE IT'S PRODUCTS

We must therefore, reserve the right to make improvements or changes whenever it becomes practical to do so, without incurring any obligation to make changes or additions to the equipment previously sold.

# FIGURE 1 BEATER & PAN ASSEMBLY



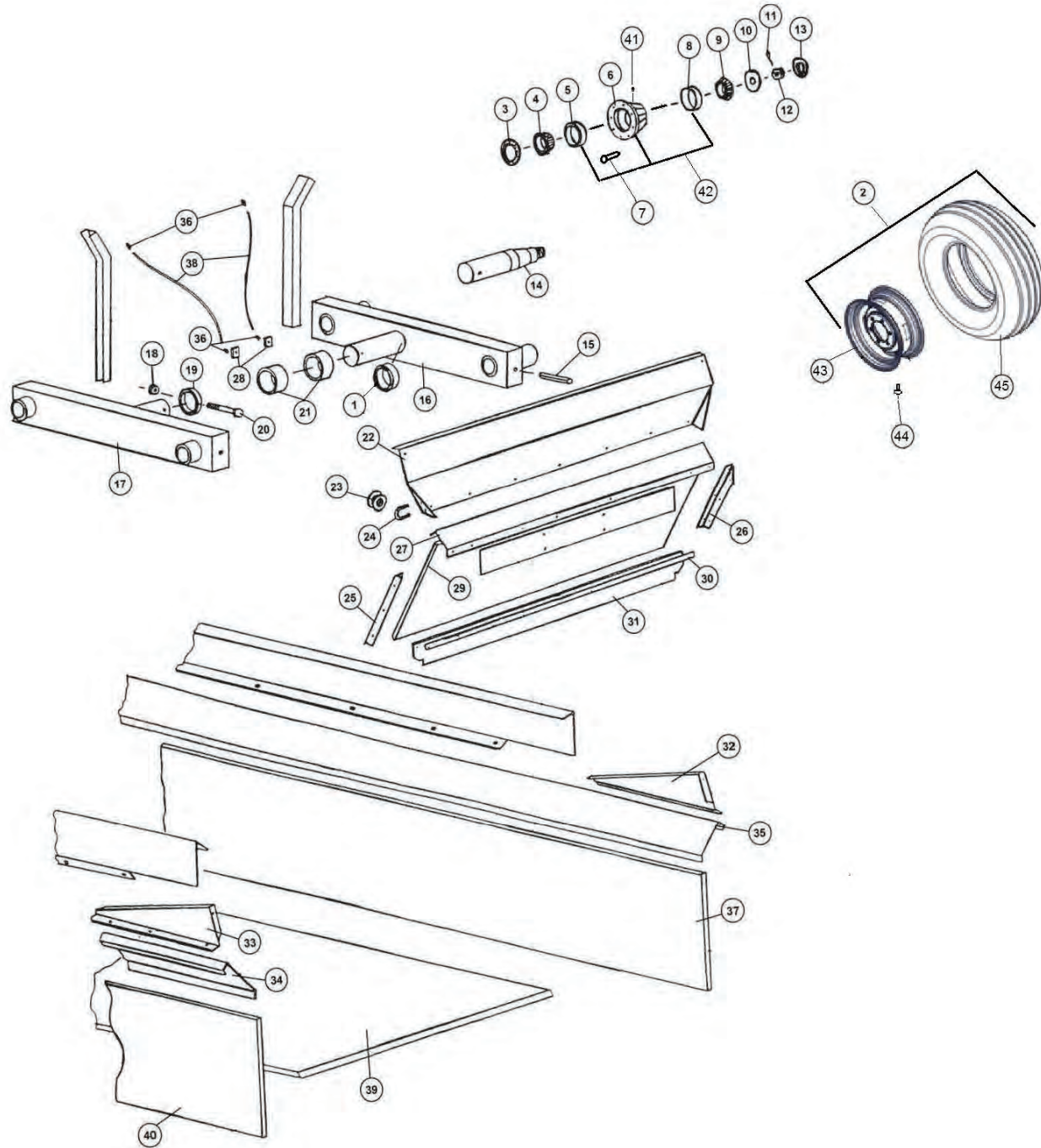


# FIGURE 1

## BEATER & PAN ASSEMBLY

<u>ITEM</u>	<u>QTY</u>	<u>PART#</u>	<u>DESCRIPTION</u>
1	1	YBHH10130	BOLT HEX, 5/16 X 5 G5
2	1	YNRL10005	HEX NUT, SIDE LOCK, 5/16 G5
3	2	YWFL10005	WASHER FLAT, 5/16
4	1	81161	BEATER
5	6	23N276	BEATER BLADE - HARDENED BEATER
6	8	23N277	BLADE - HARDENED BEATER BLADE
7	1	23N7	WIPER LH
8	1	23N8	WIPER RH
9	56	YBHH16045	BOLT HEX, 1/2 X 1-1/4 G5
10	56	YWLO16005	WASHER LOCK, 1/2
11	56	YNTL16005	NUT HEX, TOP LOCK, 1/2
12	1	82910	BEARING COVER
13	1	5B9	WOODRUFF KEY, 3/8 X 1-1/4
14	1	80794	SHAFT SUPPORT
15	3	82944	SPACER
16	1	80725	BEATER BEARING
17	3	YWLO12005	WASHER LOCK, 3/8
18	6	YNHX12004	HEX NUT, 3/8 G2
19	3	YBHH12075	BOLT HEX, 3/8 X 2 G5
20	1	RG21	GREASE ZERK, 45
21	1	23N13	SIDE POLY HOLD DOWN RH
22	1	23N14	SIDE POLY HOLD DOWN LH
23	1	23N64	SHIELD BRACKET
24	1	23N30	PAN
25	2	23N17	DRIVE SHAFT BUSHING
26	1	23N257	DRIVE SHAFT BRACKET LH
27	1	23N19	DRIVE SHAFT BRACKET RH
28	1	27N1	PAN TRIP ROPE
29	1	R31	CLIP
30	1	23N21	PAN TRIP LEVER
31	1	R27	SPRING
32	1	YBCR16010	BOLT CARRIAGE, 1/2 X 1-1/2 G5
33	1	23N23	TRIP LEVER SPACER
34	1	YWFL16005	WASHER FLAT, 1/2
35	2	YPCT06020	COTTER PIN, 3/16 X 2
36	2	F112	SPACER
37	1	23N24	PAN RUBBER FLAP
38	1	23N25	PAN STRAP
39	1	23N267	PAN SUPPORT BRACE
40	1	23N268	PAN SUPPORT LH
41	1	23N29	PAN SUPPORT RH
42	1	23N2	SPLINED BEATER INSERT
43	1	86135	MAIN PANEL LH
44	1	23N16	MAIN PANEL RH
45	1	80791	BEATER STUB SHAFT

# FIGURE 2 HUB, SPINDLE & BOX PARTS



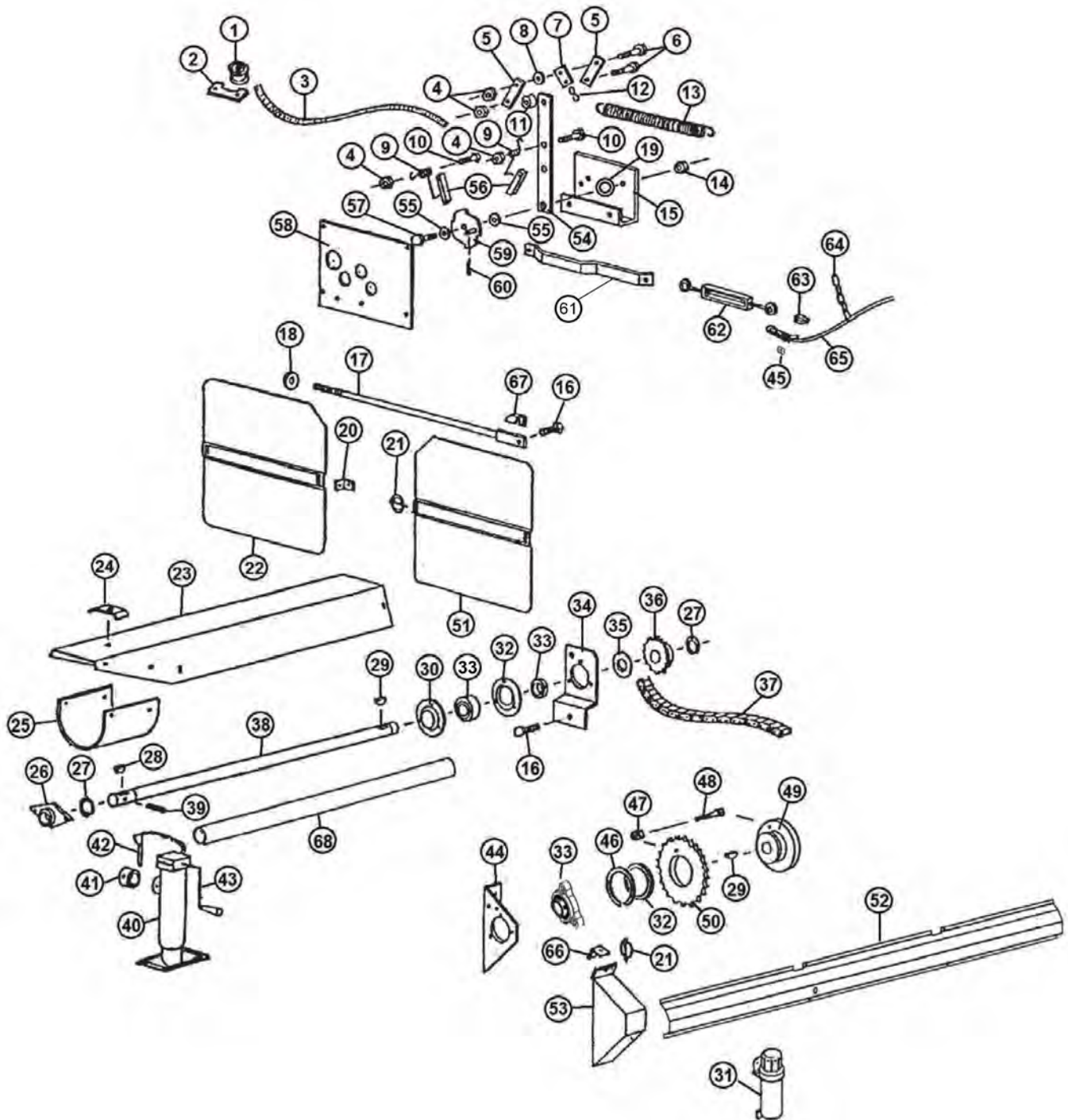
## FIGURE 2

### HUB, SPINDLE & BOX PARTS

<u>ITEM</u>	<u>QTY</u>	<u>PART#</u>	<u>DESCRIPTION</u>
1	2	70162	POLY BUSHING
2	2	32352	COMPLETE ASSEMBLY
3	2	B8	SEAL
4	2	75954	INNER BEARING
5	2	B7	INNER RACE
6	2	B6	HUB
7	12	B32	HUB BOLT 16
8	2	75951	OUTER RACE
9	2	B5	OUTER BEARING
10	2	YWFL28005	WASHER FLAT, 7/8 USS
11	2	YPCT05020	COTTER PIN, 5/32 X 1-3/4
12	2	YNSL28005	NUT SLOT, 7/8 G2
13	2	B2	HUB CAP
14	2	31N2	SPINDLE
*	2	31N48	SPINDLE FOR WHEEL
15	4	YPEX16020	EXPANSION PIN, 1/2 X 4
16	1	31N5	TANDEM BEAM LH
17	1	31N6	TANDEM BEAM RH
18	2	YNTL16005	NUT HEX, TOP LOCK, 1/2
19	2	B60	RING
20	2	YBHH16150	BOLT HEX, 1/2 X 4-3/4 G5
21	2	70150	POLY BUSHING
22	1	23N34	FRONT FLARE
23	1	F33	ROPE GUIDE
24	1	YBPU08005	PIPE U BOLT
25	1	23N35	GATE ANGLE RH
26	1	23N36	GATE ANGLE LH
27	1	23N176	FRONT FLARE SUPPORT
28	2	16V9	GREASE LINE BRACKET
29	1	23N270A	FRONT GATE PLYWOOD WITH FIBERGLASS
30	1	23N40	STRAP FOR RUBBER
31	1	23N41	FRONT GATE RUBBER
32	1	23N42	SPLASH GUARD SIDE LH
33	1	23N43	SPLASH GUARD SIDE RH
34	1	31N24	SIDE FLARE RH
35	1	31N25	SIDE FLARE LH
36	4	S47	GREASE LINE FITTING
37	1	31N32A	SIDE PLYWOOD WITH FIBERGLASS LH
38	2	31N43	GREASE LINE
39	1	31N49	POLY FLOOR
40	1	31N31A	SIDE PLYWOOD WITH FIBERGLASS RH
41	2	54595	GREASE ZERK, 1/8 NPT
42	2	75955	HUB W/RACES
43	2	23N179A	WHEEL, 8.25 X 22.5, 8-BOLT
44	2	72438	VALVE STEM
45	2	UR19	TIRE, 295/75R22.5

\*MEANS NOT SHOWN

# FIGURE 3 FRONT SHIELD & DRIVE ASSEMBLY





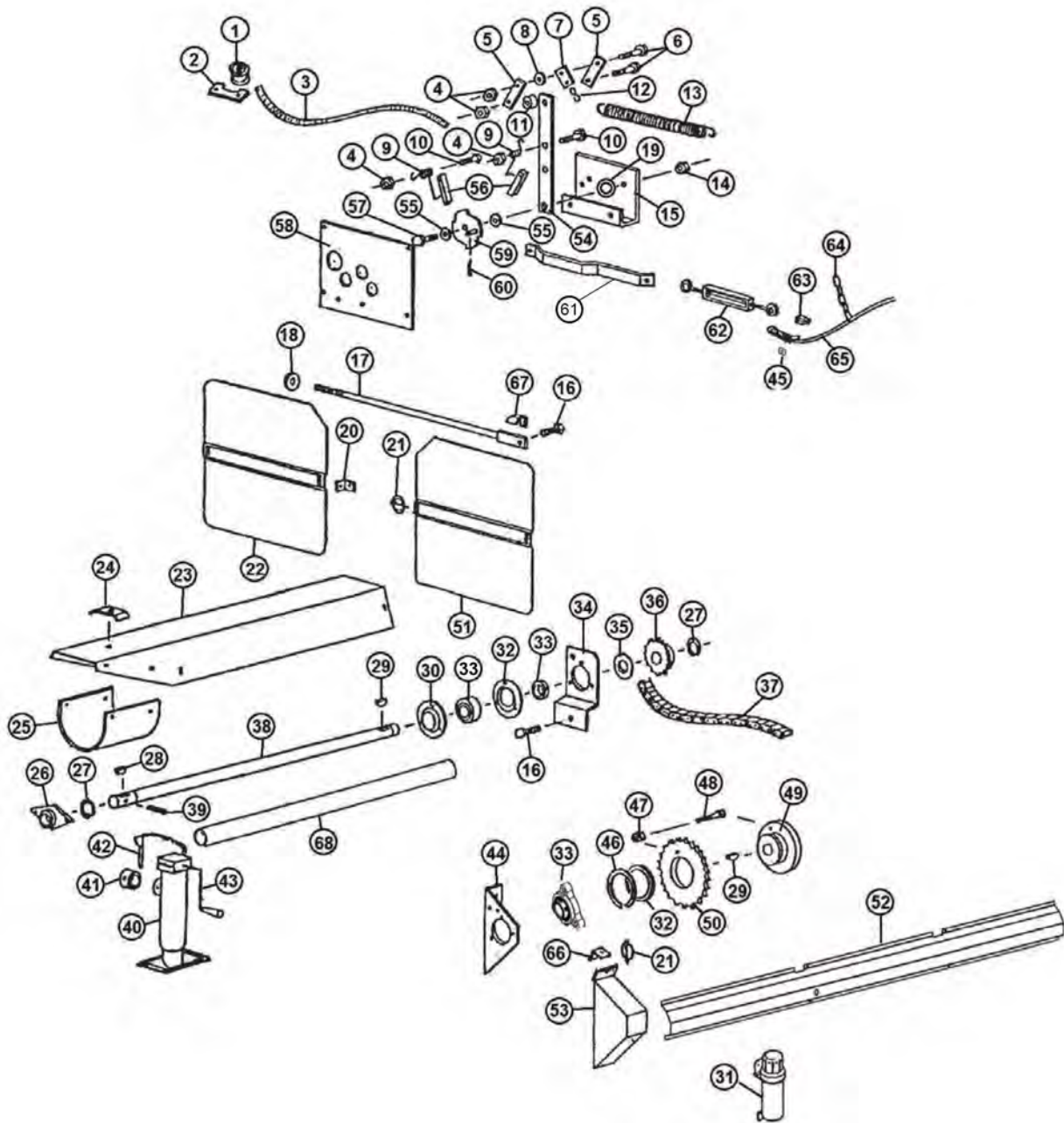
## FIGURE 3

### FRONT SHIELD & DRIVE ASSEMBLY

<u>ITEM</u>	<u>QTY</u>	<u>PART#</u>	<u>DESCRIPTION</u>
1	1	F33	CABLE GUIDE
2	1	23N182	BRACKET
3	1	23N183	ROPE (15)
4	4	YNL12005	NUT HEX, 3/8
5	2	23N184	BRACKET
6	2	YBHH12035	BOLT HEX 3/8 X 1-1/4 G5
7	1	23N185	SPRING BRACKET
8	1	YWFL12005	WASHER FLAT, 3/8
9	1	23N186	DOG SPRING
10	2	YBHH12010	BOLT 3/8 X 1 G5
11	1	D107	SPACER
12	1	X79	S- HOOK
13	1	23N187	SPRING
14	1	YNHX16005	NUT HEX, 1/2
15	1	23N188	SHIFTER BRACKET
16	2	YBHH16045	BOLT HEX, 1/2 X 1-1/4 G5
17	1	23N63	TIGHTENER ROD
18	1	F129	WASHER
19	1	31N51	SHIFTER SPACER WASHER
20	1	F92	SHIELD BRACKET
21	2	YPLY08010	LYNCH PIN, 1/4 X 1-1/2
22	1	23N305	FRONT SHIELD
23	1	23N66	SHIELD
24	1	23N67	TAILGATE HOSE BRACKET
*	1	HE42	HYDRAULIC DRIVE BRACKET
25	1	F54	SHIELD
26	1	12N29	BEARING
27	2	F73	SNAP RING
28	1	5B10	WOODRUFF KEY, 1/4 X 1
29	2	5B9	WOODRUFF KEY, 3/8 X 1-1/4
30	1	F114	FLANGE W/STRAIGHT ZERK
31	1	S522	MANUAL HOLDER
32	2	C112G01	BEARING FLANGE
33	2	80662	BEARING 1-1/4
34	1	23N68	JACK SHAFT BRACKET
35	1	23N69	FRONT SHAFT SPACER

\*MEANS NOT SHOWN

# FIGURE 3 FRONT SHIELD & DRIVE ASSEMBLY



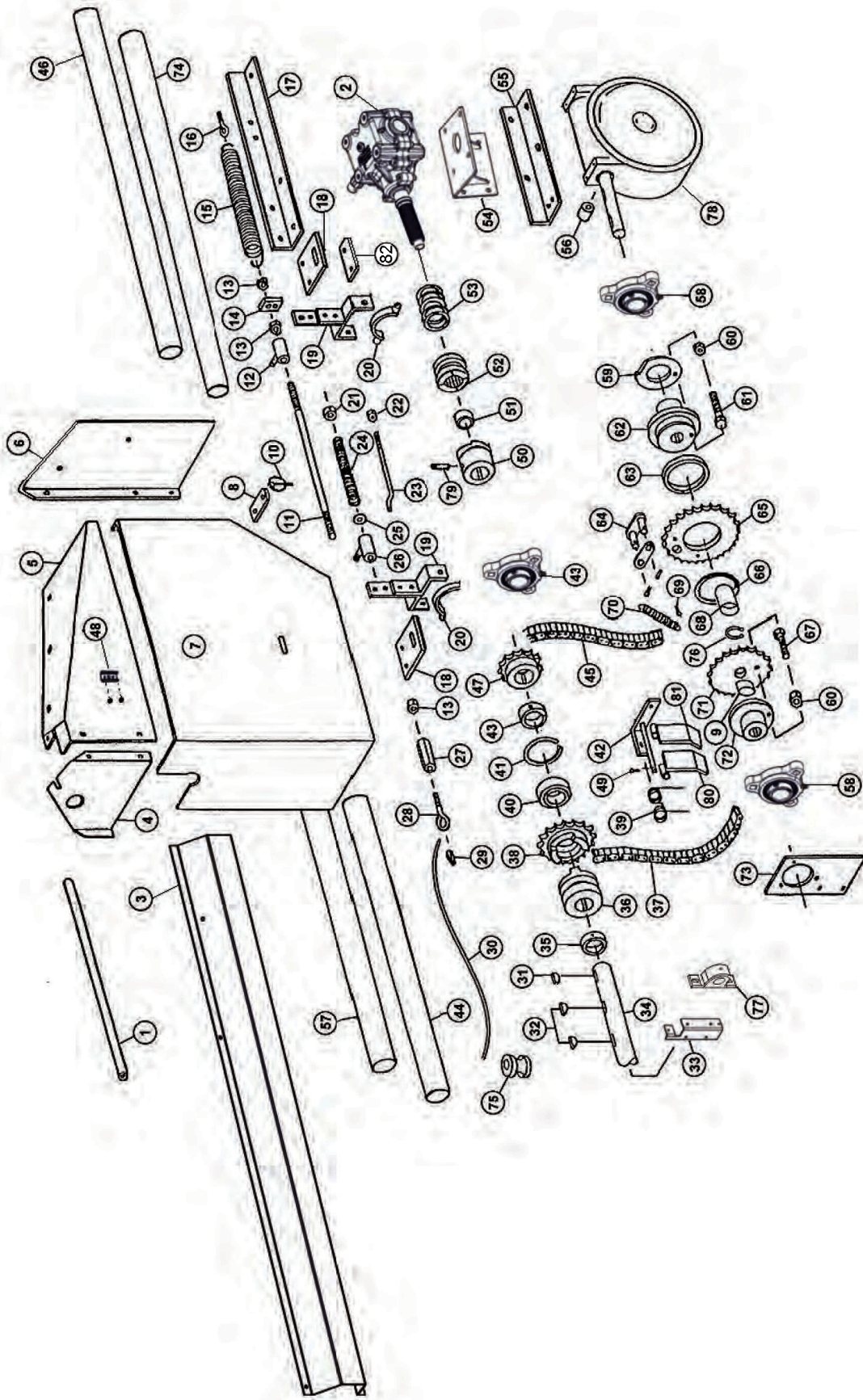
## FIGURE 3

### FRONT SHIELD & DRIVE ASSEMBLY

<u>ITEM</u>	<u>QTY</u>	<u>PART#</u>	<u>DESCRIPTION</u>
36	1	23N70	SPROCKET (25T)
*	1	37N72	SPROCKET (16T) (OPTIONAL 1000 RPM)
37	1	23N71	ROLLER CHAIN, (#60 122 PITCHES)
38	1	23N72	FRONT SHAFT
39	1	YPEX10020	EXPANSION PIN, 5/16 X 2-1/4
40	1	27N49	JACK
*	1	12N120	JACK GEAR REPAIR KIT
41	1	27N51	JACK MOUNT
42	1	27N50	JACK PIN
43	1	12N119	HANDLE
*	1	12N118	REPLACEMENT BEARING
44	1	85014	BEARING PLATE
45	1	ES15	CABLE CLAMP, 1/8
46	1	23N189	SNAP RING
47	1	YNTL12005	NUT HEX, TOP LOCK, 3/8
48	1	YBHH12025	BOLT HEX, 3/8 X 1-1/2 G5
49	1	45N71	SHEAR HUB
50	1	C1MS01	SHEAR SPROCKET
51	1	85156	FRONT SHIELD LH
52	1	86094B	SIDE SHIELD
53	1	85034B	SHIELD
54	1	23N192	FRONT SHIFTER ARM
55	2	YWFL16005	WASHER FLAT, 1/2
56	2	23N193	DOG
57	1	YBHH16055	BOLT HEX, 1/2 X 1-3/4 G5
58	1	23N195	SHIFTER PANEL
59	1	23N196	SPEED SELECTOR
60	1	YPCT04005	COTTER PIN, 1/8 X 1
61	1	23N197	SHIFTER A RM
62	1	F84	TURNBUCKLE
63	1	ES14	CABLE LOOP
64	1	23N198	CABLE CHAIN
65	1	31N27	CABLE
66	1	23N242	SHIELD BRACKET
67	1	23N278	SPACER
68	1	37N74	FRONT SHAFT GUARD

\*MEANS NOT SHOWN

# FIGURE 4 BACK SHIELDS & DRIVE ASSEMBLY





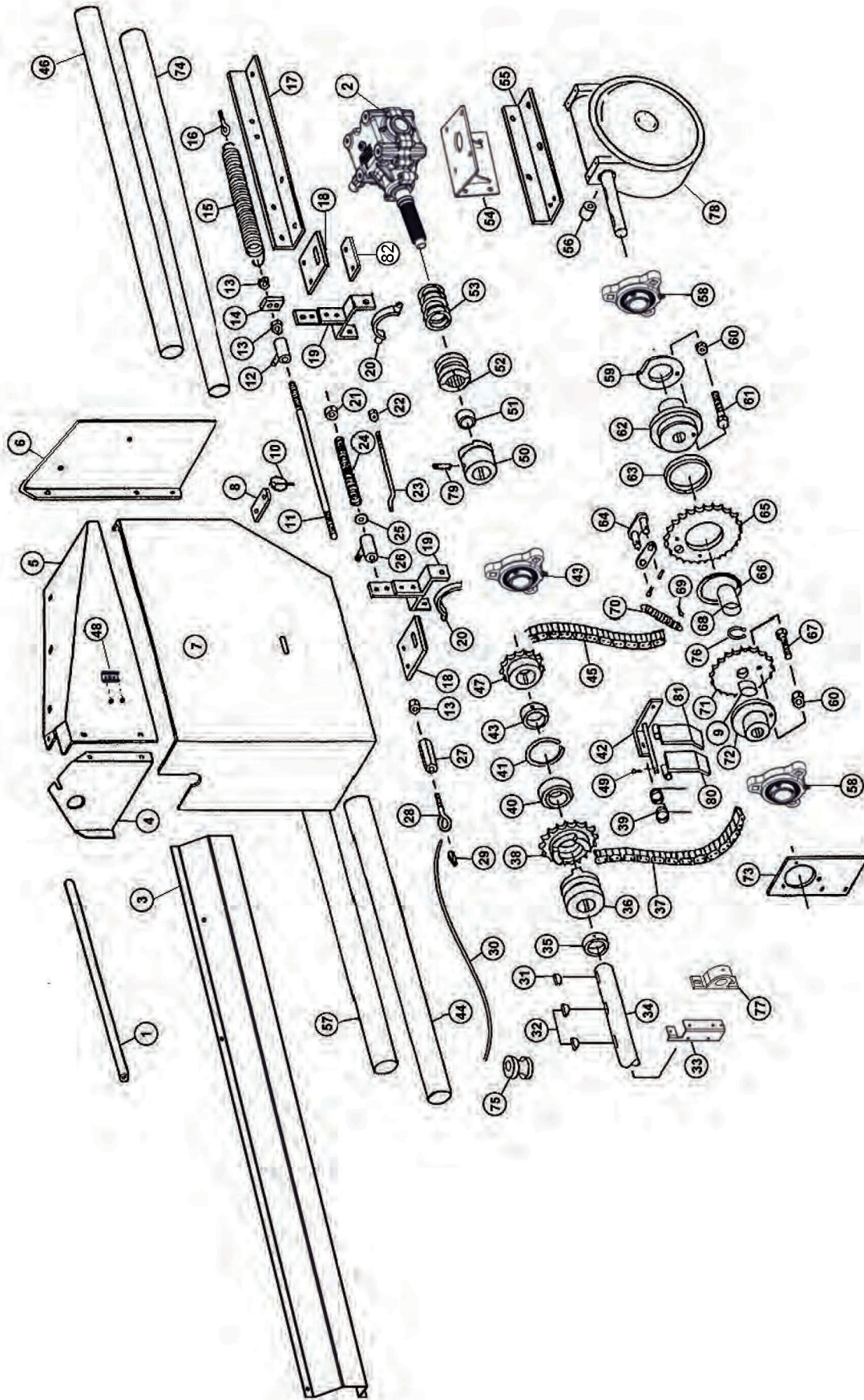
## FIGURE 4

### BACK SHIELDS & DRIVE ASSEMBLY

<u>ITEM</u>	<u>QTY</u>	<u>PART#</u>	<u>DESCRIPTION</u>
1	1	23N200	CABLE GUARD
2	1	85385	GEAR BOX
3	1	86123B	SIDE SHIELD
4	1	86108	SHIELD
5	1	86114	BACK SHIELD TOP
6	1	86109	BACK SHIELD
7	1	86103	COVER
8	1	86101	SHIELD BRACKET
9	1	56027	BUSHING
10	1	S122	LYNCH PIN W/CABLE
11	1	23N205	CLUTCH ROD
12	1	23N206	SHIFTING ROD BRACKET
13	3	YNHX12005	NUT HEX, 3/8
14	1	23N207	SPRING BRACKET
15	1	K103	SPRING
16	1	YBTE08005	TURNUED EYE BOLT, 1/4 X 1 FULL THREAD
17	1	85010	TOP ANGLE
18	2	85006	SHIFTER BRACKET
19	2	D57	SHIFTER LEVER
20	2	23N208	YOKE W/ ZERK
21	1	23N209	COLLAR
22	1	YNTL08005	NUT HEX, TOP LOCK, 1/4
23	1	23N210	SHIFTING ROD
24	1	23N211	SPRING BRACKET
25	1	YWFL12005	WASHER FLAT, 3/8
26	1	23N206	ROD BRACKET
27	1	23N212	COUPLING NUT
28	1	YBTE12005	TURNUED EYE BOLT, 3/8 X 1
29	1	ES14	CABLE LOOP
30	1	31N27	CABLE
31	1	5B9	WOODRUFF KEY, 3/8 X 1-1/4
32	2	5B10	WOODRUFF KEY, 1/4 X 1
33	1	86107	SIDE BEARING BRACKET
34	1	31N29	SIDE SHAFT
35	1	F6	COLLAR
36	1	23N215	CLUTCH THROW-OUT
37	1	23N93	CHAIN (#50 60 PITCHES)
38	1	23N216	CLUTCH SPROCKET
*	1	61138	INCLUDES (SPROCKET,BEARING,SNAP RING)
39	1	31N33	SPRING TIGHTENER
40	1	BFR525	BEARING
41	1	3G19	SNAP RING
42	1	31N36	TIGHTENER BRACKET
43	2	80662	BEARING

\*MEANS NOT SHOWN

# FIGURE 4 BACK SHIELDS & DRIVE ASSEMBLY



## FIGURE 4

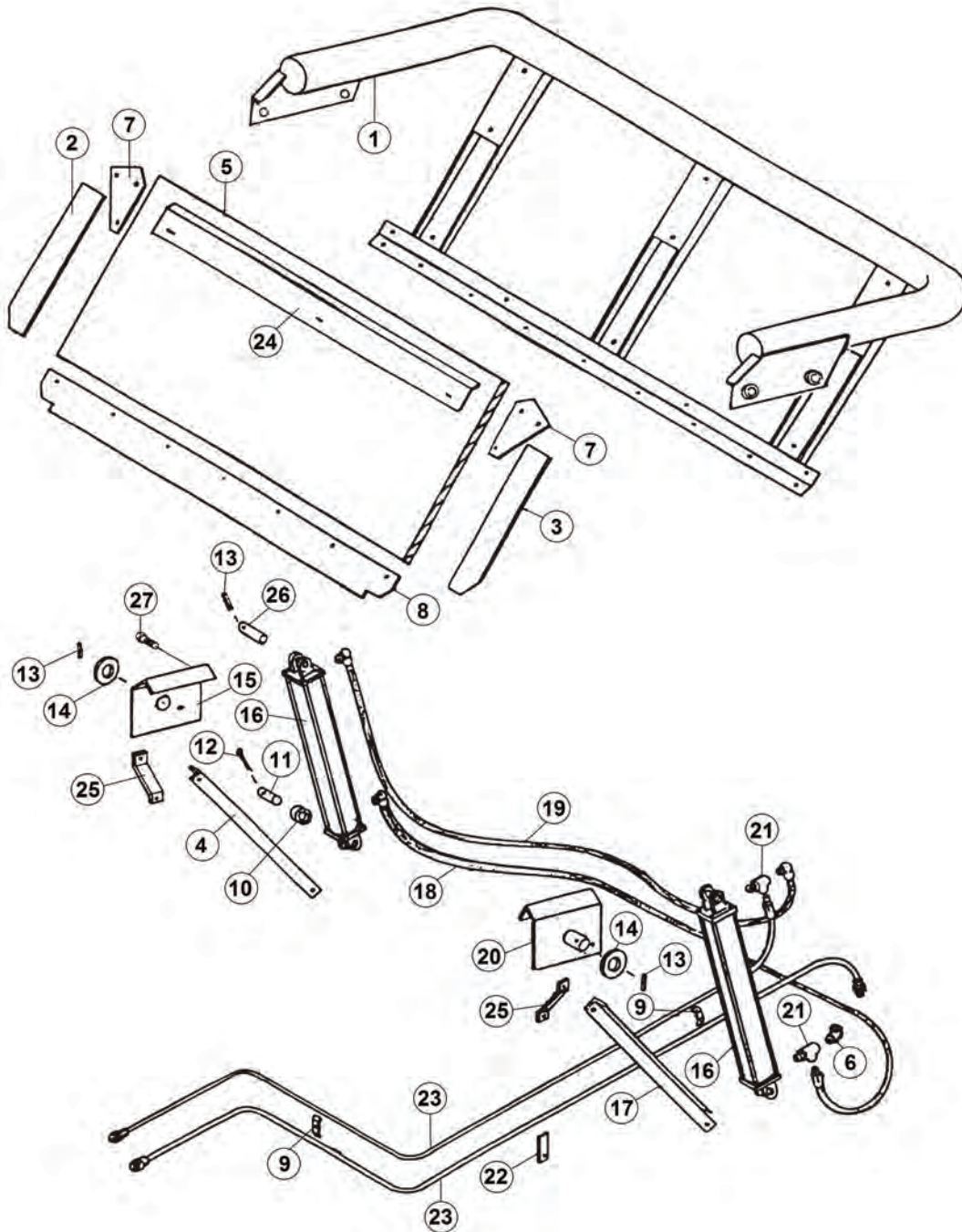
### BACK SHIELDS & DRIVE ASSEMBLY

<u>ITEM</u>	<u>QTY</u>	<u>PART#</u>	<u>DESCRIPTION</u>
44	1	31N45	#1 SIDE SHAFT GUARD
45	1	23N93	CHAIN (#50 60 PITCHES)
46	1	60643	#4 SIDE SHAFT GUARD
*	1	56036	SPROCKET BUSHING
47	1	10R11	SPROCKET (13T)
48	1	F97	SMV BRACKET
49	1	23N174	FLANGE SPACER
50	1	23N241	CLUTCH
51	1	D68	BRONZE BUSHING
52	1	23N90	CLUTCH
53	1	23N89	SPRING
54	1	85205	BOTTOM ANGLE
55	1	23N95	WORM BOX HOLDER
56	1	23N94	SPACER
57	1	31N44	#2 SIDE SHAFT GUARD
58	2	80530	BEARING W/ SETSCREWS
59	1	23N222	SHEAR PLATE
60	2	YNTL08005	NUT HEX, TOP LOCK, 1/4
61	1	YBHH08035	BOLT HEX, 1/4 X 1-1/4 G5
62	1	23N224	SHEAR HUB
63	1	23N225	BUSHING, BRONZE
64	1	60531	CONNECTOR LINK W/ PINS
*	1	74381	SPROCKET
65	1	23N226	SPROCKET W/BUSHING
66	1	23N227	SNAP RING
67	1	YBHH08035	BOLT HEX, 1/4 X 1-1/4 G5
68	1	56029	SPACER
69	1	YPCT04005	COTTER PIN, 1/8 X 1
70	1	23N229	DOG SPRING
71	1	56026	SPROCKET
72	1	56025	SHEAR HUB
73	1	23N230	BEARING PANEL
74	1	31N46	SIDE SHAFT GUARD CABLE
75	1	F33	GUIDE
76	1	56024	EXTERNAL SNAP RING 1-1/2
77	1	17G7	PILLOW BLOCK BEARING
78	1	85385	GEAR BOX
79	1	YSFD12005	SET SCREW, 3/8X 3/4
80	1	31N34	TIGHTENER BAR LH
81	1	31N35	TIGHTENER BAR RH
82	1	23n239	OFFSET LINK (#50)
*	1	X60	CONNTOR (#50)
*	1	X61	CHAIN TIGHTENER ASSEMBLY
*	1	31N38	SHIFTER SUPPORT

\*MEANS NOT SHOWN



# FIGURE 5 HYDRAULIC ENDGATE ASSEMBLY



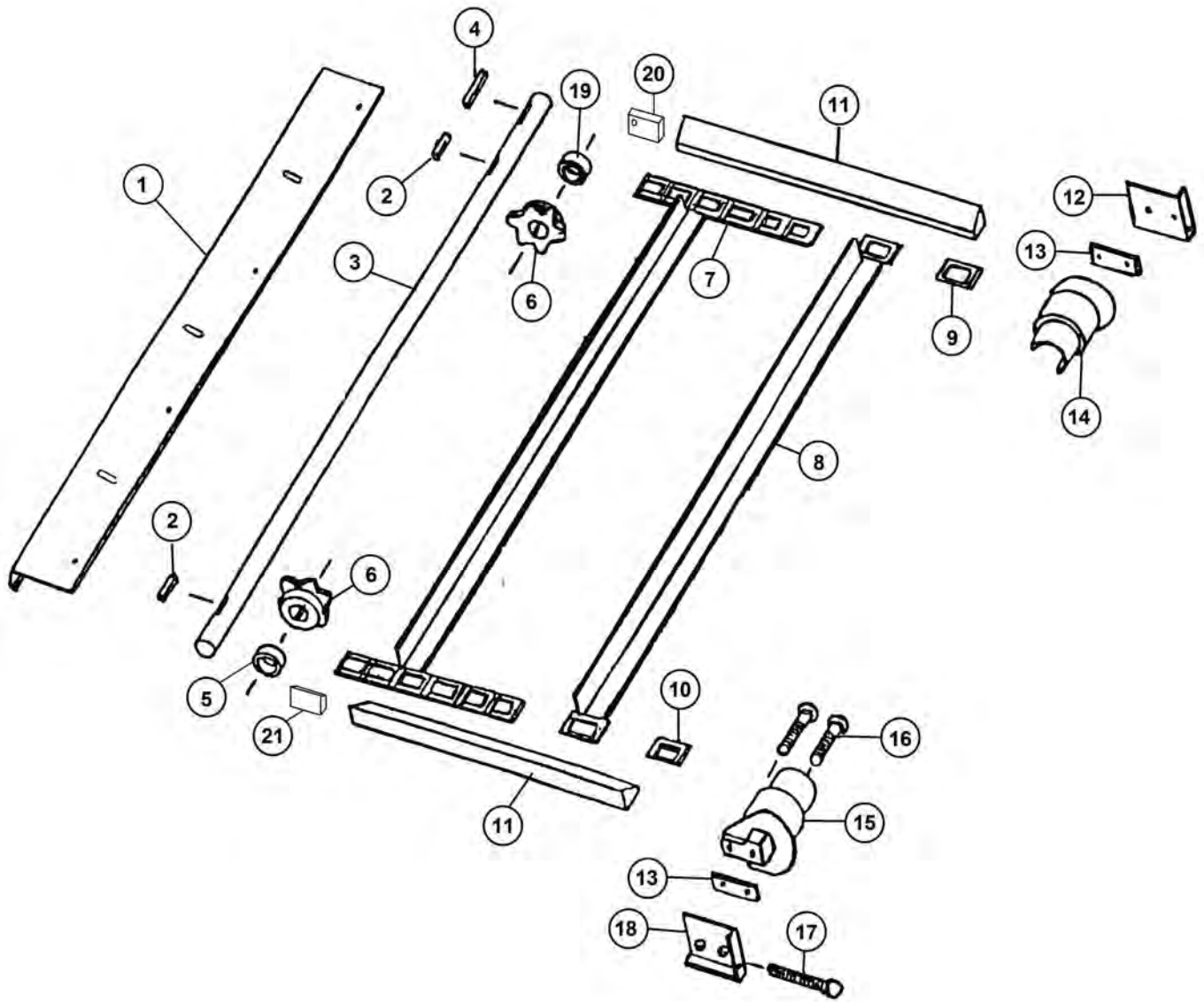


## FIGURE 5

### HYDRAULIC ENDGATE ASSEMBLY

<u>ITEM</u>	<u>QTY</u>	<u>PART#</u>	<u>DESCRIPTION</u>
1	1	23N298	TAILGATE FRAME
2	1	23N99	SIDE RUBBER RH
3	1	23N100	SIDE RUBBER LH
4	1	23N233	TAILGATE BRACKET
5	1	31N37A	TAILGATE PLYWOOD W/FIBERGLASS
6	1	23N234	FITTING 90, 3/8NPT X 1/4NPT
7	2	23N104	TAILGATE CORNER
8	1	23N105	BOTTOM RUBBER
9	2	23N67	HOSE BRACKET
10	1	K132	SPACER
11	1	23N107	CYLINDER PIN
12	1	YPCT07005	COTTER PIN, 7/32 X 2
13	2	YPEX10015	EXPANSION PIN, 5/16 X 1-3/4
14	2	23N109	SPACER
15	1	23N299	TAILGATE MOUNT, RH
16	2	56015	HYD CYLINDER, 2 X 16
17	1	23N231	TAILGATE BRACE LH
18	1	23N113	HYDRAULIC HOSE, 6 X 96
19	1	23N114	HYDRAULIC HOSE, 6 X 138
20	1	23N300	TAILGATE MOUNT LH
21	2	23N116	FITTING TEE, 3/8NPT X 3/8NPT X 3/8 NPT
22	2	23N117	HOSE HOLDER
23	2	31N50	HYDRAULIC HOSE, 6 X 316
24	1	23N163	TAILGATE POLY HOLD DOWN
25	2	23N232	TAILGATE BRACKET
26	1	23N301	CYLINDER PIN
27	1	YBCR16021	BOLT CARRIAGE, 1/2 X 1-3-4 G5

# FIGURE 6 APRON CHAIN ASSEMBLY

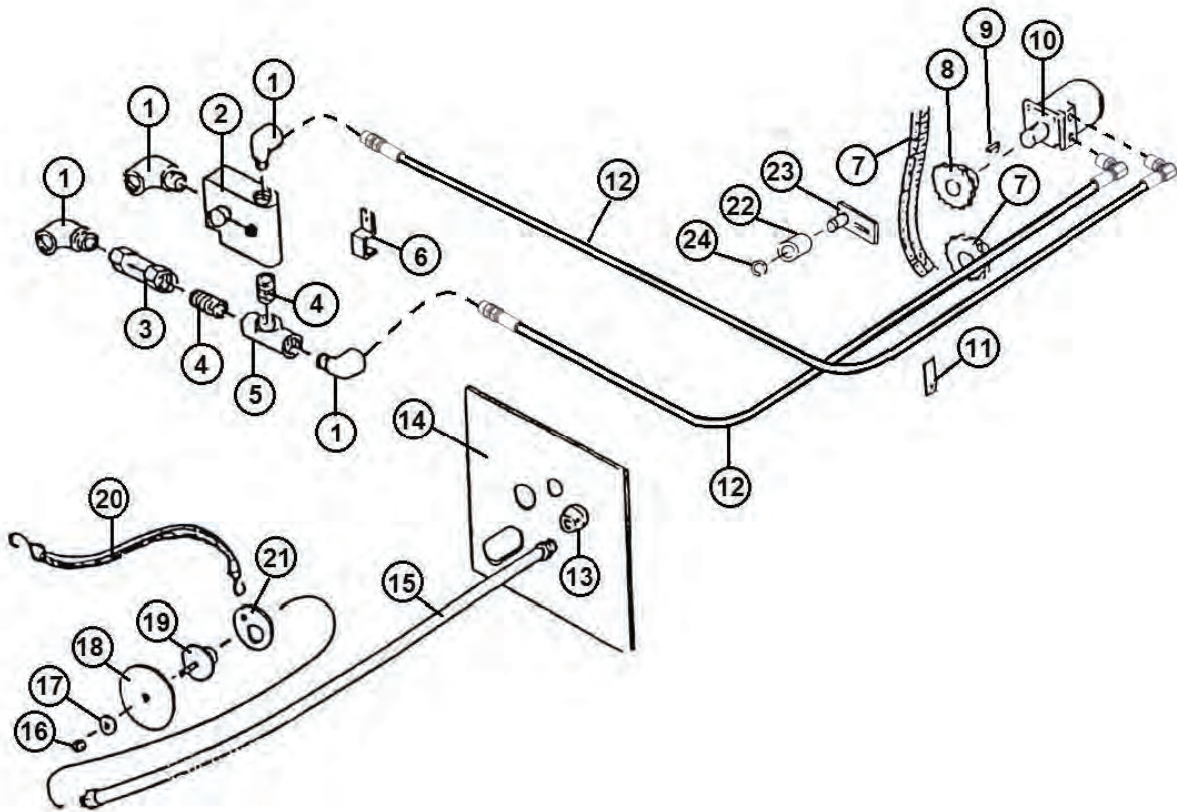


## FIGURE 6

### APRON CHAIN ASSEMBLY

<u>ITEM</u>	<u>QTY</u>	<u>PART#</u>	<u>DESCRIPTION</u>
1	1	37N82	DRIVE SHAFT SHIELD
2	2	23N303	SQUARE KEY, 3/8 X 1-3/4
3	1	27N19	DRIVE SHAFT
4	1	S138	ROUND KEY, 3/8 X 2-3/8
5	1	23N121	SPACER
6	2	23N122	DRIVE SPROCKET (6T)
7	1	31N21	APRON CHAIN, 26 SLATS 262 LINKS
8	1	23N124	SLAT W/ ATTACHMENT LINKS
9	1	S55	T-ROD STANDARD LINK
10	1	S56	T-ROD CONNECTOR LINK
11	2	31N22	APRON CHAIN SIDE SPACERS
12	1	A30	CHAIN SLIDE PLATE LH
13	2	23N126	CHAIN SLIDE SPACER
14	1	23N127	T-ROD SLIDE LH
15	1	23N128	T-ROD SLIDE RH
16	2	YBCR16045	BOLT CARRIAGE, 1/2 X 4 G5
17	1	YBHH16145	BOLT HEX, 1/2 X 4-1/2 G5
18	1	A29	CHAIN SLIDE PLATE RH
19	1	23N266	PIPE SPACER
20	1	75563	SPACER BLOCK W/HOLE LH
21	1	75562	SPACER BLOCK W/O HOLE RH

# FIGURE 7 OPTIONAL HYDRAULIC DRIVE ASSEMBLY



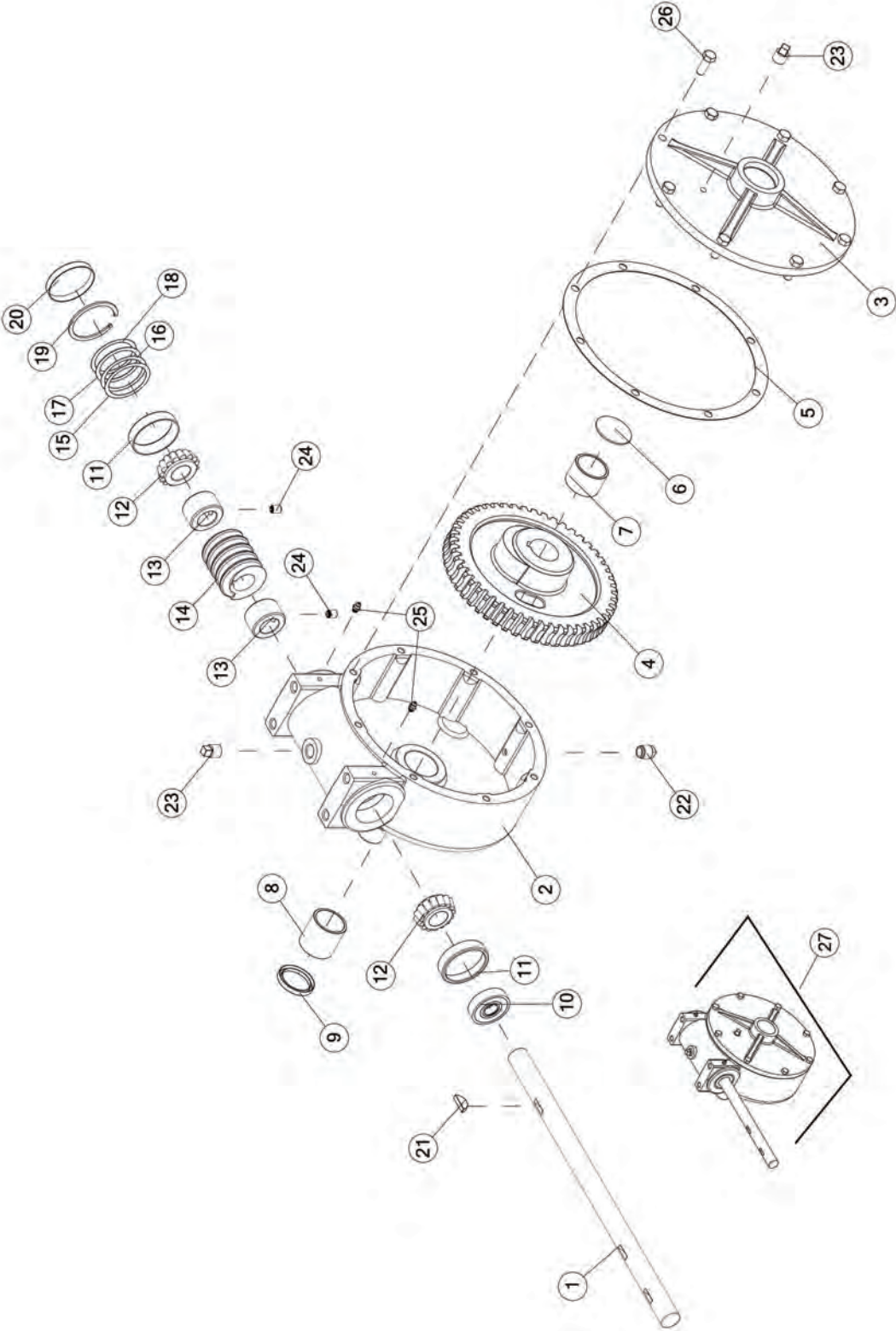


## FIGURE 7

### OPTIONAL HYDRAULIC DRIVE ASSEMBLY

<u>ITEM</u>	<u>QTY</u>	<u>PART#</u>	<u>DESCRIPTION</u>
1	4	HE58	FIT 90, 1/2NPT X 1/2NPT
2	1	DF15A	SPEED CONTROL
3	1	DF18	CHECK VALVE
4	2	DF7	FIT STRAIGHT, 1/2NPT X 1/2NPT
5	1	DF8	FIT TEE, 1/2NPT X 1/2NPT X 1/2NPT
6	1	HE14	PIPE BRACKET
7	1	23N131	ROLLAR CHAIN, (#50, 40 PITCHES)
8	1	11S19	SINGLE SPROCKET (20T)
9	1	5B10	WOODRUFF KEY, 1/4 X 1
10	1	DF1	HYDRAULIC MOTOR
11	1	23N117	HOSE HOLDER
12	2	77330	HYD HOSE, 6 X 224
13	1	DF21	REDUCER
14	1	23N133	CONTROL PANEL
15	1	DF9	HYD HOSE, 8, 72
16	1	YNTL12005	NUT HEX, 3/8
17	1	DF12	SPACER
18	1	DF11	CONTROL HANDLE
19	1	DF10	HANDLE BRACKET
20	1	DF14	STRAP
21	1	DF22	RING FOR STRAP
22	1	23N238	CHAIN TIGHTENER ROLLER
23	1	L10R35	CHAIN TIGHTENER
24	1	10R32	SNAP RING, EXTERNAL

**FIGURE 8**  
**WORM GEARBOX ASSEMBLY**

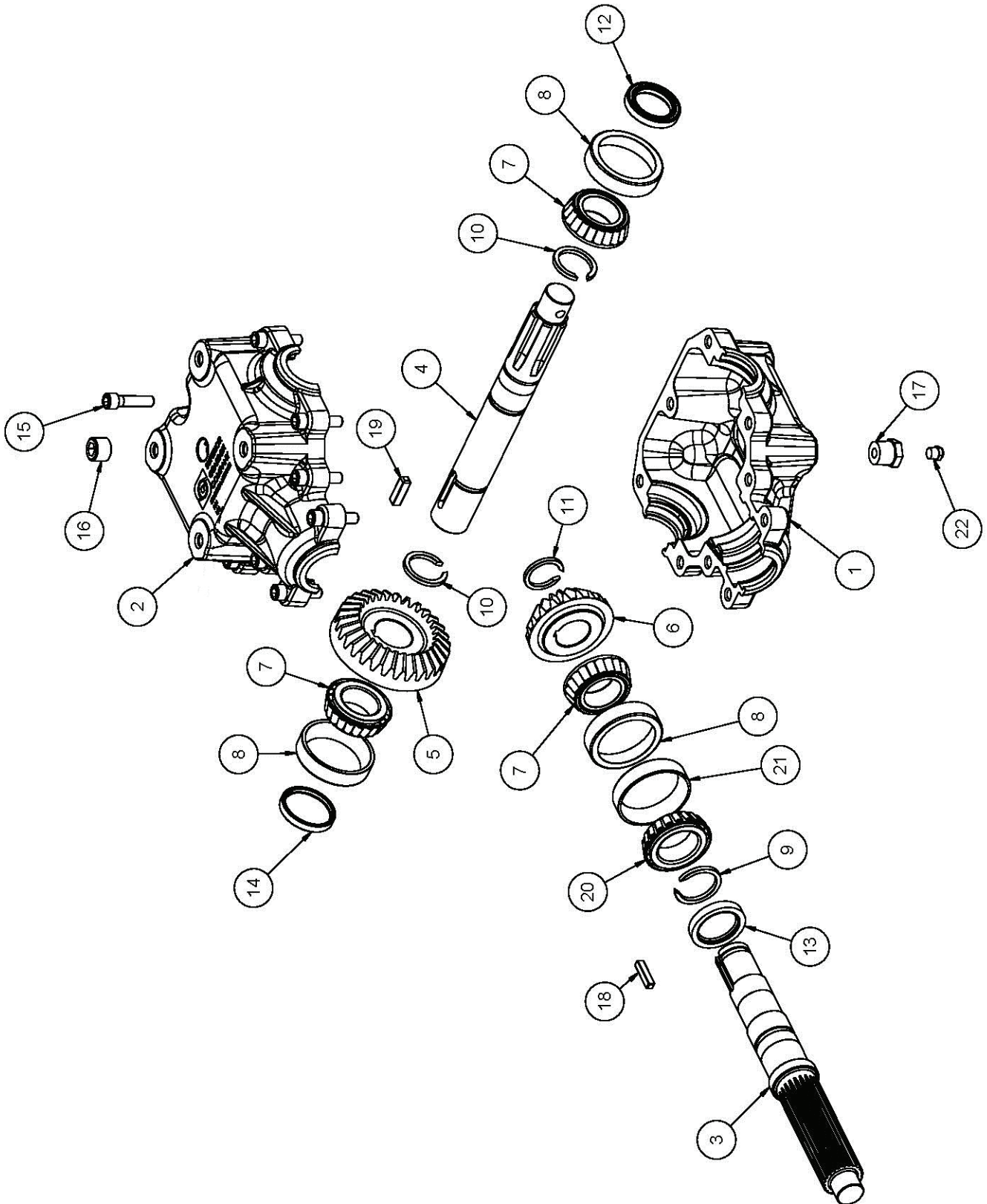


## FIGURE 8

### WORM GEARBOX ASSEMBLY

<u>ITEM</u>	<u>QTY</u>	<u>PART#</u>	<u>DESCRIPTION</u>
1	1	23N236	WORM GEAR SHAFT
2	1	G114	GEAR BOX HOUSING
3	1	G116	WORM GEAR BOX COVER
4	1	G77	WORM GEAR ASSEMBLY
5	1	G88	GASKET
6	1	G117	CAP
7	1	X75	BUSHING
8	1	X8	BUSHING
9	1	17G133	SEAL
10	1	G123	SEAL
11	2	12N19	INNER RACE
12	2	3G7	TAPER BEARING
13	2	X9	SPACER
14	1	G76	WORM
15	1	G92	SHIM STAINLESS, .010
16	1	59249	SHIM STOCK .005
17	1	59250	SHIM STOCK .020
18	1	58748	SHIM STOCK .007
19	1	3G19	SNAP RING, INTERNAL
20	1	G90	CAP
21	1	5B10	WOODRUFF KEY, 1/4 X 1
22	1	3G20	VENT PLUG
23	2	G65	PLUG PIPE, 3/8 NPT
24	2	YSKP12010	SCREW SOCKET, 3/8 X 1/2
25	2	G89	STRAIGHT ZERK, 1/4
26	8	YBHH12010	BOLT HEX, 3/8 X 1 G5
27	1	G122	WORM GEAR BOX

**FIGURE 9**  
**BEVEL GEARBOX**



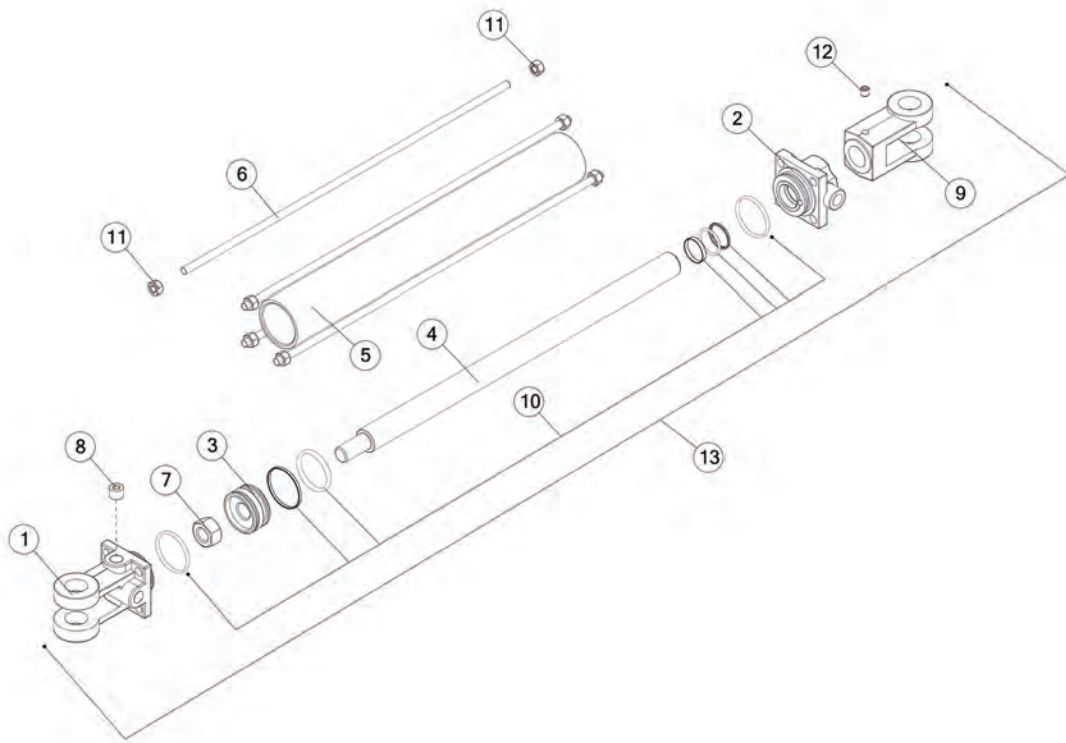


## FIGURE 9 BEVEL GEARBOX

<u>ITEM</u>	<u>QTY</u>	<u>PART#</u>	<u>DESCRIPTION</u>
1	1	18VB20	BOTTOM HOUSING
2	1	86140	TOP HOUSING
3	1	86141	SHAFT
4	1	86142	SHAFT
5	1	86143	GEAR
6	1	86144	GEAR
7	3	86145	BEARING CONE
8	3	86146	BEARING CUP
9	1	86147	RETAINING RING
10	1	86148	RETAINING RING
11	1	86149	RETAINING RING
12	1	18VB26	SEAL
13	1	18VB34	SEAL
14	1	86150	SEAL
15	1	YSHS12008	BOLT, 3/8 X 1-1/2
16	1	HGV95	PLUG 1/2-14
17	1	SD133	BUSHING
18	1	86152	KEY
19	1	86153	KEY
20	1	86154	BEARING CONE
21	1	86155	BEARING CUP
22	1	86156	PLUG 1/8-27
*	1	85385	COMPLETE GEARBOX

\*MEANS NOT SHOWN

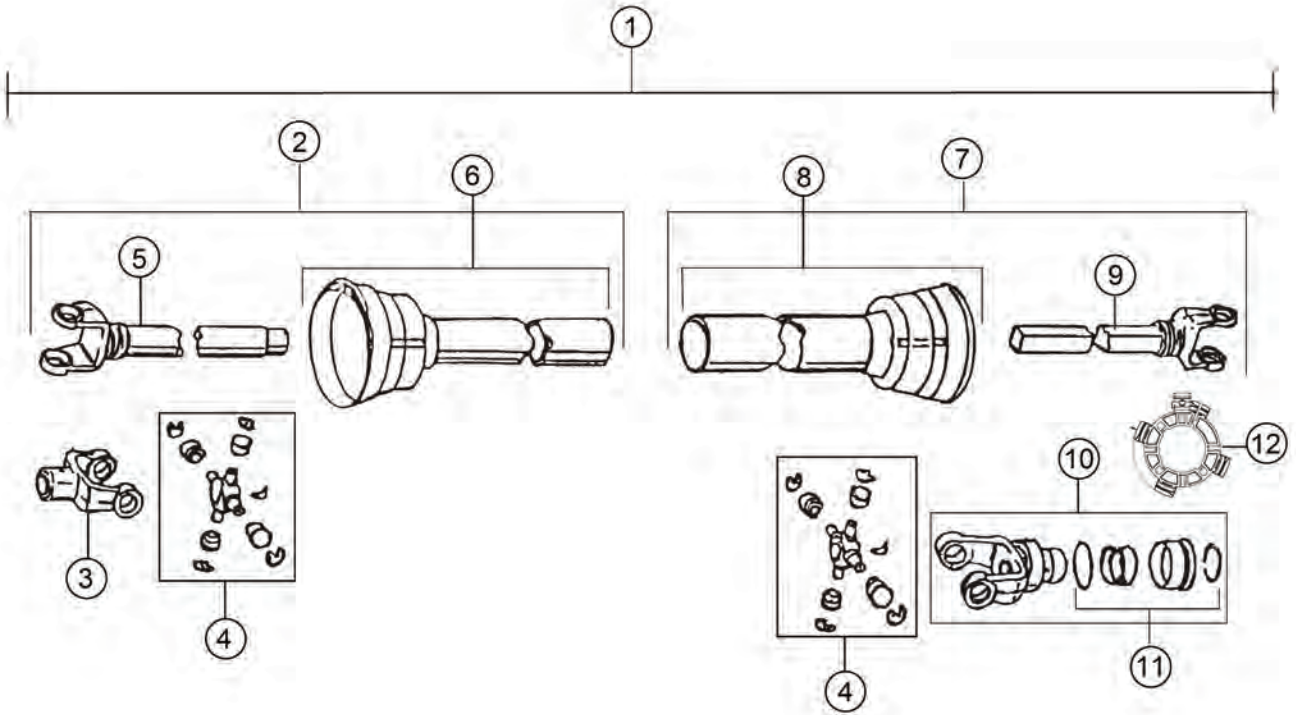
# FIGURE 10 HYDRAULIC CYLINDER



**FIGURE 10**  
**HYDRAULIC CYLINDER**

<b><u>ITEM</u></b>	<b><u>QTY</u></b>	<b><u>PART#</u></b>	<b><u>DESCRIPTION</u></b>
1	1	23N142A	CLEVIS CAP
2	1	56174	ROD CAP
3	1	56180	PISTON
4	1	23N145A	ROD
5	1	23N146	CYLINDER TUBE
6	4	23N147	SHAFT
7	1	23N148	PISTON NUT
8	1	23N149	PLUG
9	1	23N150A	ROD CLEVIS
10	1	56187	SEAL KIT
11	8	YNHX12006	NUT HEX, 3/8 G2
12	1	YSSO12015	SET SCREW, SOCKET, 3/8 X 3/8
13	1	56015	HYDRAULIC CYLINDER

# FIGURE 11 PTO ASSEMBLY



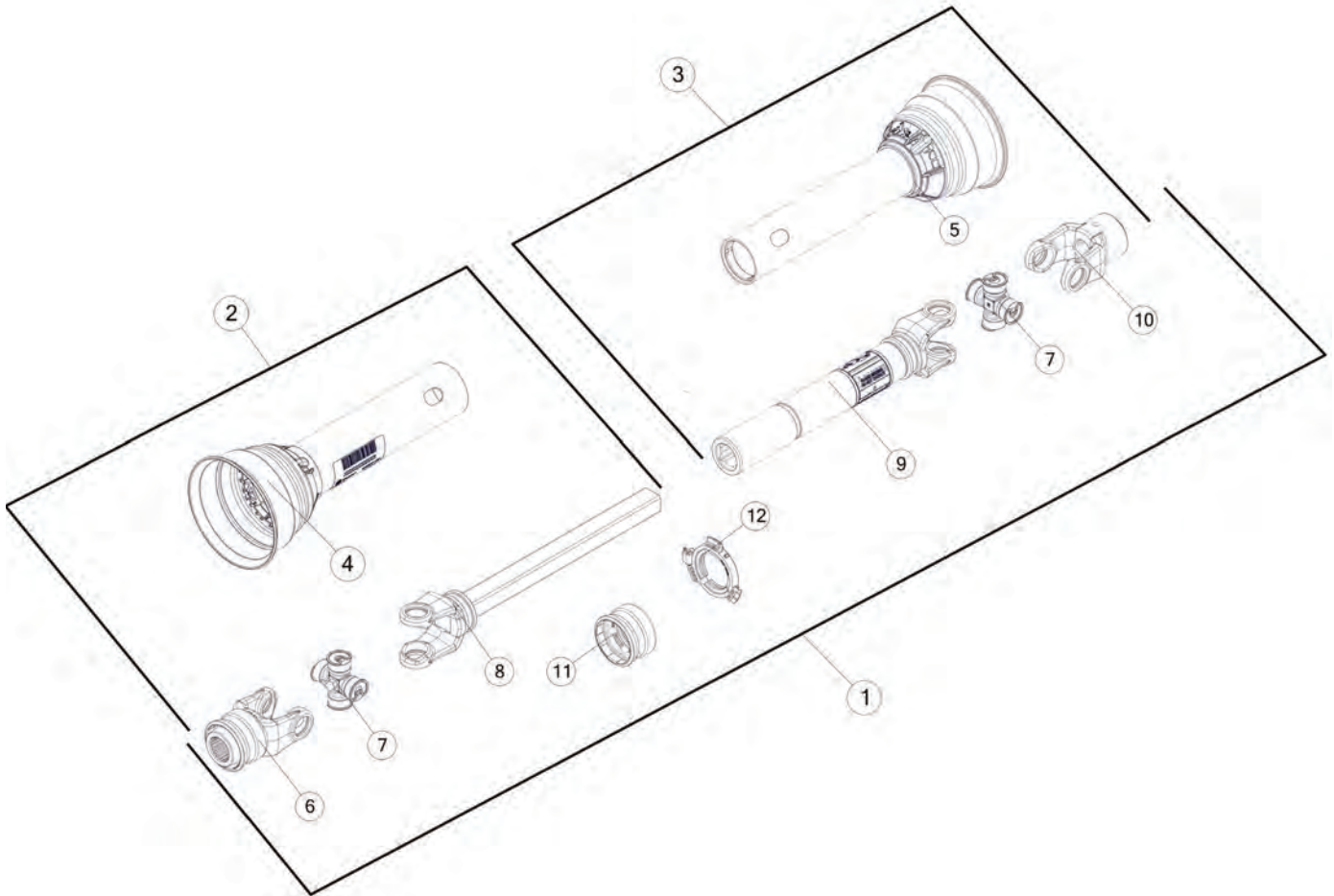
## **FIGURE 11** **PTO ASSEMBLY**

<b><u>ITEM</u></b>	<b><u>QTY</u></b>	<b><u>PART#</u></b>	<b><u>DESCRIPTION</u></b>
1	1	23N152	COMPLETE PTO
2	1	23N153	MACHINE HALF PTO W/SHIELD
3	1	G1R35	YOKE, 1-1/4
4	2	14NW KIT	14R CROSS & BEARING KIT
5	1	23N155	YOKE AND TUBE
6	1	23N156	INNER GUARD
7	1	23N157	TRACTOR HALF PTO W/SHIELD
8	1	23N158	OUTER GUARD
9	1	23N159	YOKE AND SHAFT
10	1	23N162	PTO LOCK YOKE ASSEMBLY (540)
11	1	S225	SPRING-LOK REPAIR KIT
12	1	16SV181	NYLON REPAIR
*	1	S402	ADMA SAFETY MANUAL

**\*MEANS NOT SHOWN**



**FIGURE 12**  
**PTO ASSEMBLY (1000RPM)**

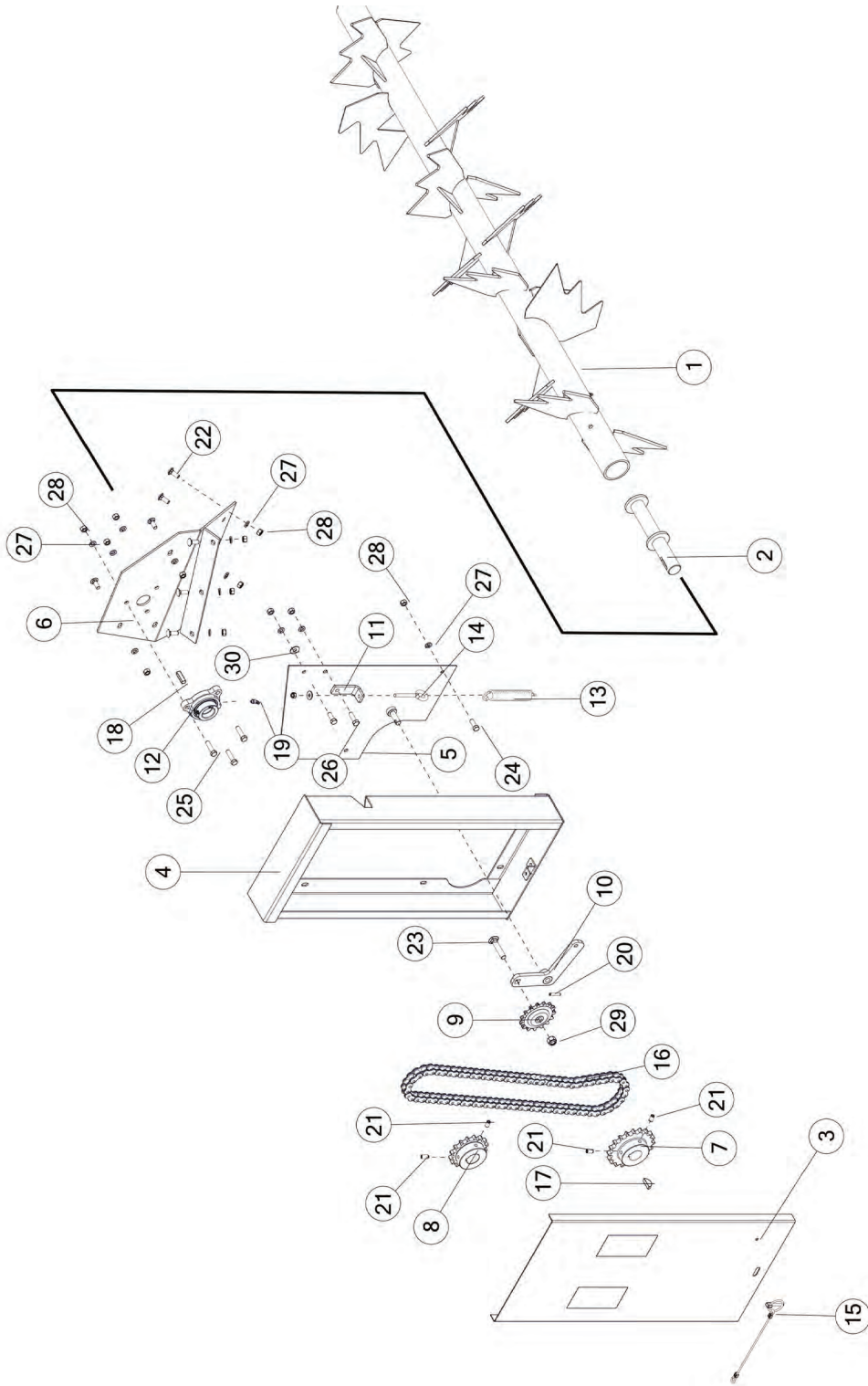


**FIGURE 12**  
**PTO ASSEMBLY (1000RPM)**

<u>ITEM</u>	<u>QTY</u>	<u>PART#</u>	<u>DESCRIPTION</u>
1	1	23N313	COMPLETE PTO
2	1	23N314	TRACTOR HALF W/SHIELD
3	1	23N153	MACHINE HALF PTO W/SHIELD
4	1	55864	OUTER GUARD
5	1	23N156	INNER GUARD
6	1	37N73	1000 RPM YOKE
7	2	14NW	14R CROSS & BEARING KIT
8	1	23N159	YOKE AND SHAFT
9	1	23N155	YOKE AND TUBE
10	1	G1R35	YOKE, 1-1/4
11	1	S225	SPRING-LOK REPAIR KIT
12	1	55861	GUARD REPAIR KIT
*	1	S402	ADMA SAFETY MANUAL

**\*MEANS NOT SHOWN**

# FIGURE 13 OPTIONAL 2ND BEATER LH

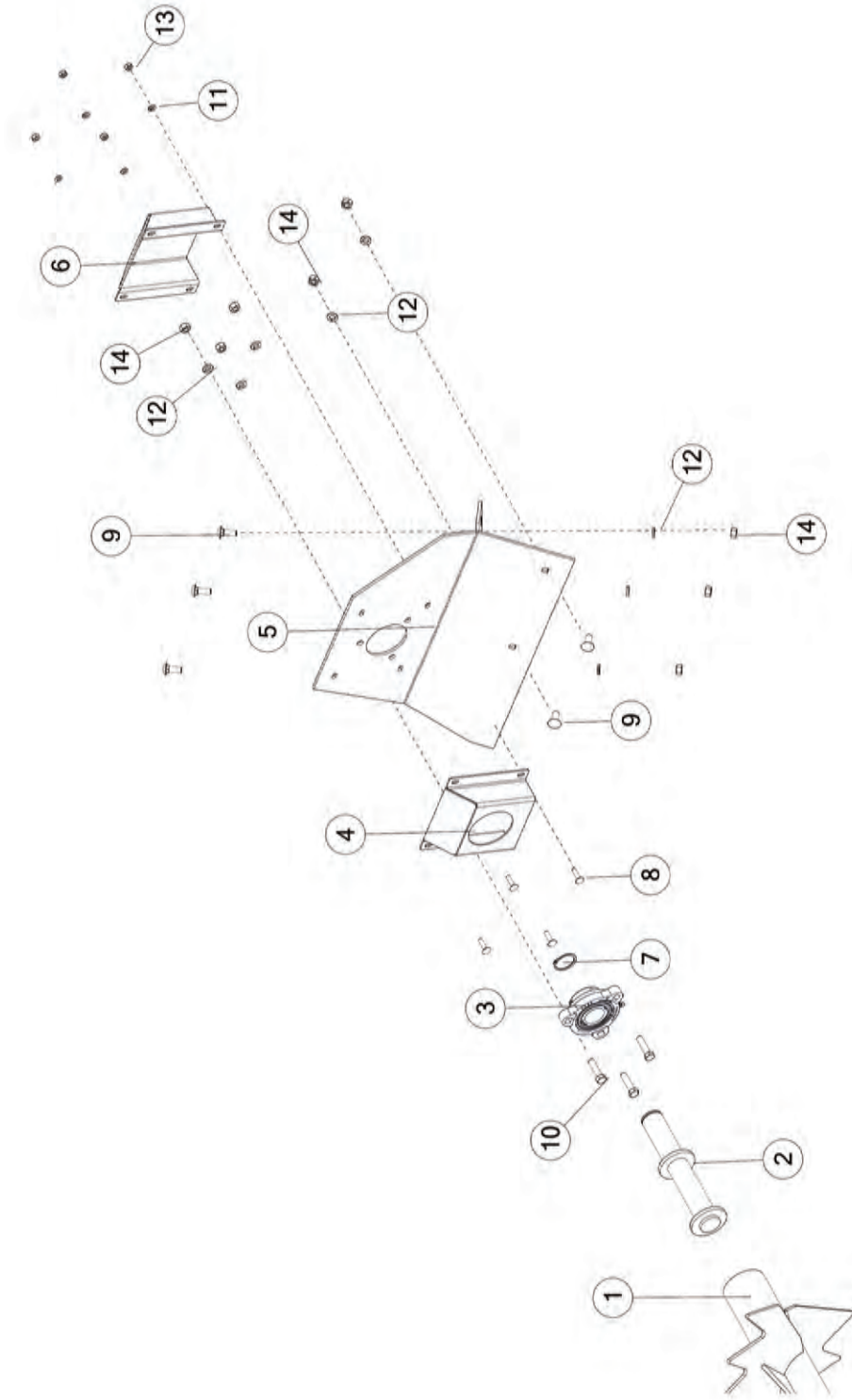


## FIGURE 13

### OPTIONAL 2ND BEATER LH

<u>ITEM</u>	<u>QTY</u>	<u>PART#</u>	<u>DESCRIPTION</u>
1	1	80724	SECOND BEATER
2	1	80723	STUB SHAFT RH
3	1	81467	FRONT SHIELD WITH DECAL
4	1	81471	BEATER SHIELD WITH DECALS
5	1	81465	BACK SHIELD WITH DECAL
6	1	80755	BEATER PANEL RH
7	1	80898	SPROCKET, 20T
8	1	D23	SPROCKET, 16T
9	1	12N42	IDLER SPROCKET,15T
10	1	80728	SPRING TENSIONER ARM
11	1	80152	SPRING TENSIONER BRKT
12	1	80725	BEATER BEARING
13	1	ST36	TENSION SPRING
14	1	YBTE10015	BOLT TURNED EYE, 5/16 X 2-5/8
15	1	S122	LANYARD CLIP PIN CABLE
16	1	37N49	ROLLER CHAIN, #60
17	1	5B9	WOODRUFF KEY, 0.38 X 0.53 X 1.25
18	1	A32	SQUARE KEY, 0.38 X 0.38 X 1.38
19	1	RG21	GREASE ZERK, 45 DEGREE
20	1	YPEX08010	EXPANSION PIN, 1/4 X 1-1/4
21	4	YSKP12035	SETSCREW, 3/8 X 3/4
22	6	YBCR12010	BOLT CARRIAGE, 3/8 X 1 G5
23	1	YBCR16025	BOLT CARRIAGE, 1/2 X 2-1/2 G2
24	2	YBHH12005	BOLT HEX, 3/8 X 1 G2
25	3	YBHH12025	BOLT HEX, 3/8 X 1-1/2 G5
26	1	YBHH12030	BOLT HEX, 3/8 X 1-1/4 G2
27	12	YWLO12005	WASHER LOCK, 3/8
28	12	YNHX12004	NUT HEX, 3/8 G2,
29	1	YNNY16005	NUT HEX, 1/2 G2,
30	1	YWFL12005	WASHER FLAT, 3/8

# FIGURE 13 OPTIONAL 2ND BEATER RH

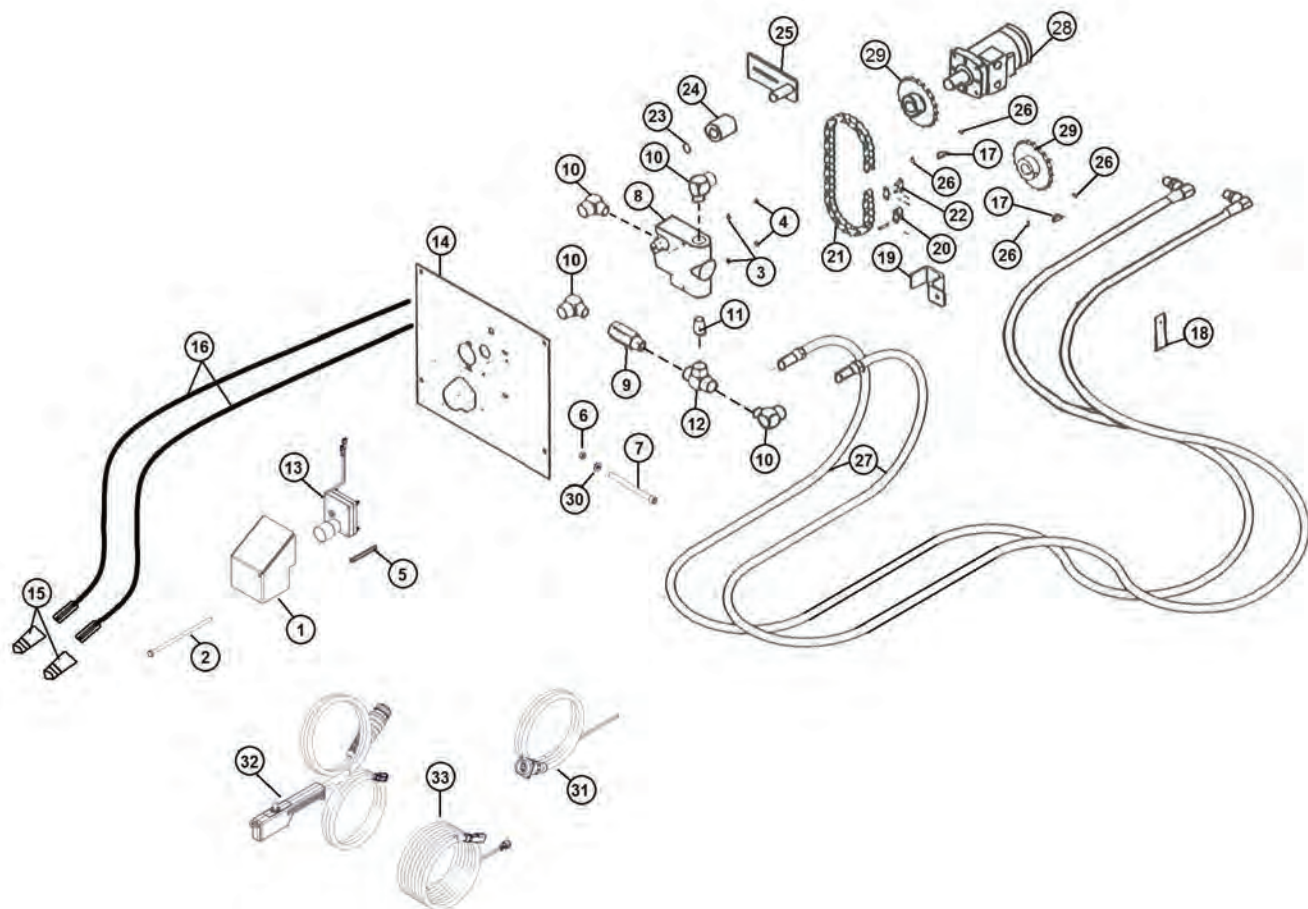




**FIGURE 13**  
**OPTIONAL 2ND BEATER RH**

<u>ITEM</u>	<u>QTY</u>	<u>PART#</u>	<u>DESCRIPTION</u>
1	1	80724	SECOND BEATER
2	1	80721	STUB SHAFT LH
3	1	80725	BEATER BEARING
4	1	57216	BEATER BEARING PROTECTOR
5	1	80753	BEATER PANEL LH
6	1	80729	EXTERIOR BEATER BEARING PROTECTOR
7	1	81527	EXTERNAL SNAP RING 1-3/8
8	4	YBCR08005	BOLT CARRIAGE, 1/4 X 1 G5
9	5	YBCR12010	BOLT CARRIAGE, 3/8 X 1 G5
10	3	YBHH12025	BOLT HEX, 3/8 X 1-1/2 G5
11	4	YWLO08010	WASHER LOCK, 1/4 G8
12	8	YWLO12005	WASHER LOCK, 3/8
13	4	YNHX08005	NUT HEX, 1/4
14	8	YNHX12004	NUT HEX, 3/8 G2

# FIGURE 14 OPTIONAL ELECTRIC CONTROL FOR HYDRAULIC DRIVE

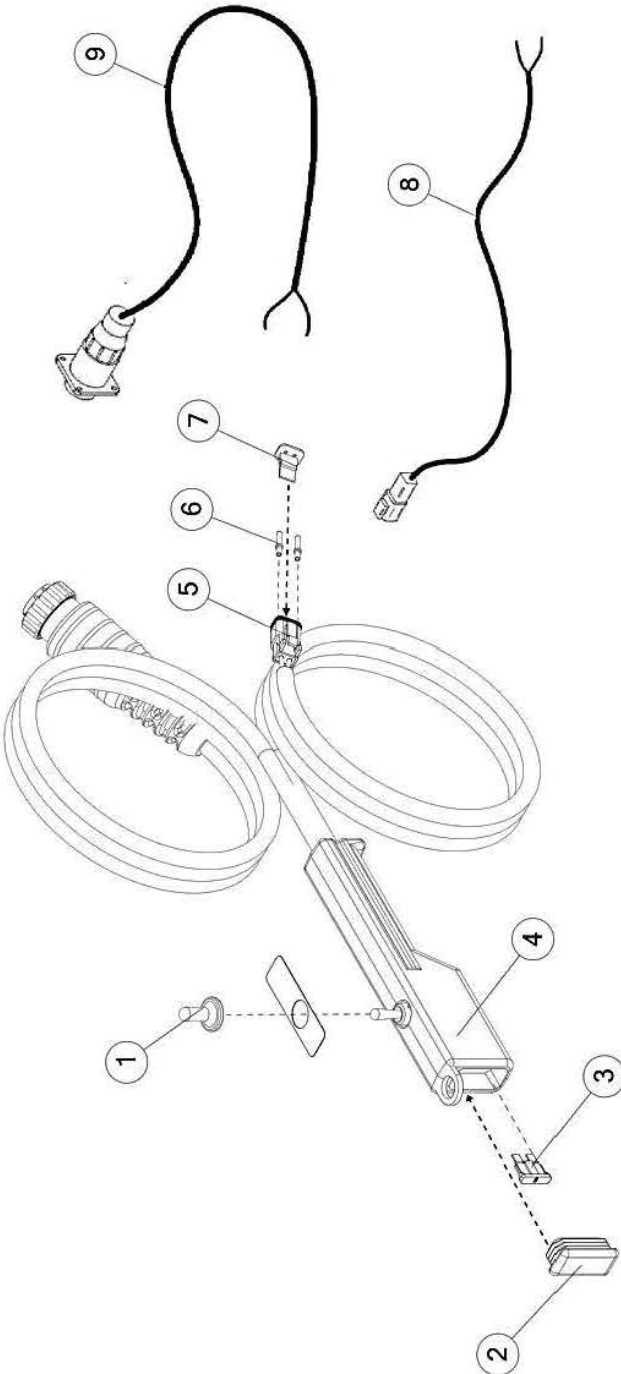


## FIGURE 14

### OPTIONAL ELECTRIC CONTROL FOR HYDRAULIC DRIVE

<u>ITEM</u>	<u>QTY</u>	<u>PART#</u>	<u>DESCRIPTION</u>
1	1	81058	MOTOR SHIELD HOLDER
2	1	YBHH08127	SHIELD BOLT
3	2	YWLO08005	WASHER LOCK, 1/4
4	2	YNL08005	NUT HEX, 1/4 G2
5	2	YBCR08025	BOLT CARRIAGE, 1/4 X 2-1/2 G5
6	1	YNL12005	NUT HEX, 3/8
7	1	YSHS12020	BOLT SOCKET, 3/8 X 4-1/2
8	1	DF15A	FLOW CONTROL
9	1	DF18	CHECK VALVE
10	4	HE58	FIT, 90, 1/2NPT X 1/2NPT
11	1	DF4	FIT, STRAIGHT, 1/2NPT X 1/2NPT
12	1	DF8	FIT, TEE, 1/2NPT X 1/2NPT X 1/2NPT
13	1	81270	GEAR MOTOR
*	1	81269	MOTOR CAP
14	1	23N133	CONTROL PANEL
15	2	DWM205	MALE QUICK COUPLER
16	2	23N309	HYD HOSE, 8 X 96
17	2	5B10	WOODRUFF KEY, 1/4 X 1
18	1	23N117	HOSE HOLDER
19	1	HE14	PIPE BRACKET
20	1	X60	OFFSET LINK (#50)
21	1	23N131	ROLLER CHAIN (#50, 40 PITCHES)
22	1	X61	CONNECTOR LINK (#50)
23	1	10R32	EXTERNAL SNAP RING
24	1	23N238	CHAIN TIGHTENER ROLLER
25	1	L10R35	TIGHTENER BRAKET
26	2	YSKP10010	SCREW, SOCKET HEAD 5/16 X 3/8
27	2	77330	HYD HOSE, 6, 224IN
28	1	DF1	HYDRAULIC MOTOR
29	1	11S19	DRIVE SPROCKET (20T)
30	1	YWLO12005	WASHER LOCK, 1/4
31	1	16SV269	TRACTOR CONTROL HARNESS
32	1	63365	HAND CONTROLLER
33	1	16SV272	POWER SUPPLY CABLE

**FIGURE 15**  
**ELECTRIC CONTROL**

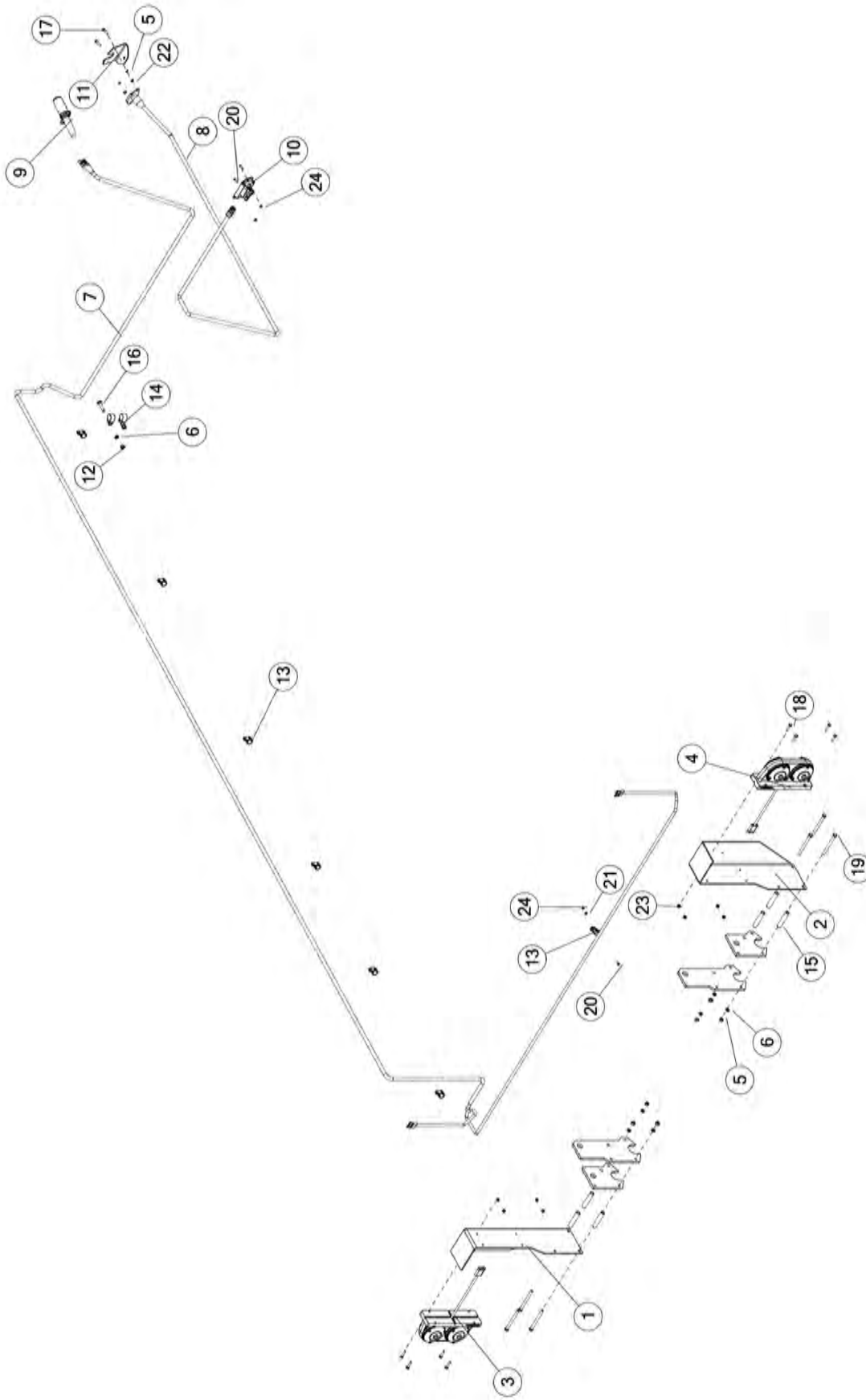


**FIGURE 15**  
**ELECTRIC CONTROL**

<b><u>ITEM</u></b>	<b><u>QTY</u></b>	<b><u>PART#</u></b>	<b><u>DESCRIPTION</u></b>
1	1	16SV235	SWITCH BOOTS
2	1	61564	CAP
3	1	61597	FUSE, BLADE, 5AMP
4	1	63365	HAND CONTROLLER (ON-OFF-ON)
5	1	58790	DEUTSCH 2 PIN PLUG
6	2	56760	DEUTSCH SOCKET, SOLID, 14-16 GA.
7	1	58793	LOCKING WEDGE FOR DT06-2S CONNECTOR
8	1	56N134	SPREADER CONTROL CORD
9	1	16SV269	TRACTOR CONTROL CABLE



**FIGURE 16**  
**LIGHT KIT**



## FIGURE 16 LIGHT KIT

<u>ITEM</u>	<u>QTY</u>	<u>PART#</u>	<u>DESCRIPTION</u>
1	1	77918	LIGHT BRACKET LH
2	1	77922	LIGHT BRACKET RH
3	1	77923	TAIL LIGHT ASSY LH
4	1	77924	TAIL LIGHT ASSY RH
5	1	YNL12005	NUT HEX, 3/8
6	2	YWLO12005	WASHER LOCK, 3/8
7	1	77975	ELEC HARNESS
8	1	79260	LIGHT HARNESS
9	1	TLPC	TRANSPORT LIGHT CORD
10	1	69908	MODULE CONTROL BLINKER
11	1	BFR659	LIGHT BRACKET
12	2	YNL12005	NUT HEX, 3/8
13	5	HGV162	1/2 RUBBER WIRE HOLDER
14	2	HGV72	SMALL TUBE HOLDER SPACER
15	6	ST55	BOLT CARRIAGE, 3/8 X 2
16	2	YBCR12035	BOLT CARRIAGE, 1/4 X 1
17	2	YBHH08005	BOLT HEX, 1/4 X 1-1/4
18	8	YBHH08030	BOLT HEX, 3/8 X 4-1/2
19	8	YBHH12185	MACHINE SCREW #10-24 X 5/8
20	6	YSPN64005	RIVET
21	6	YMRV06015	WASHER, 3/16
22	2	YNHX08005	NUT HEX, 1/4
23	8	YNNY08005	NUT HEX, 1/4
24	8	YNNY64005	NUT HEX, #10-24

## PARTS NOTES

---

---

---

---

---

---

---

---

---

---

---

---

---

---

---

---

---

---

---

---

---

---

---

---

---

---

---

---

---

---

## CHANGE NOTES

1. Added part 81269 to Figure 14 under item 13.
2. Added light kit to figure 16.

**H&S MFG. CO.**

products approved

for the

**FEMA**

**SEAL OF QUALITY**

