

# H&S

## PARTS BOOK

# S3143 SPREADER



Revision #04  
Starting Ser. #811MS43035

Part #72639  
HSMFG0318

**2608 S. HUME AVE. , MARSHFIELD, WI 54449**  
**(715) 387-3414 FAX (715) 384-5463**  
**[www.hsmfgco.com](http://www.hsmfgco.com)**

# CONTENTS

Instructions for Ordering Parts - About Improvements .....	1
Figure 1 - Beater and Pan Assembly .....	2-3
Figure 2 - Hub, Spindle and Box Parts .....	4-7
Figure 3 - Front Shield and Drive Assembly .....	8-11
Figure 4 - Back Shield and Drive Assembly .....	12-15
Figure 5 - Hydraulic Endgate .....	16-17
Figure 6 - Apron Chain Assembly .....	17-19
Figure 7 - Optional Hydraulic Drive Assembly .....	20-21
Figure 8 - Worm Gearbox Assembly .....	21-22
Figure 9 - Bevel Gearbox .....	22-24
Figure 10 - Hydraulic Cylinder .....	26
Figure 11 - PTO .....	27
Figure 12 - PTO 1000RPM .....	28-29
Figure 13 - Optional Second Beater .....	30-31
Figure 14 - Optional Electric Control for Hydraulic Drive .....	32-33
Figure 15 - Electric Control for Hydraulic Drive .....	34

# INSTRUCTIONS FOR ORDERING PARTS

All service parts should be ordered through your authorized H&S dealer. They will be able to give you faster service if you will provide them with the following

1. Model & Serial number is located in the front center of the Manure Spreader.
2. All reference to left or right apply to the Manure Spreader as viewed from the rear.
3. Parts should not be ordered from illustration only. Please order by complete part number.
4. If your dealer has to order parts - give shipping instructions:

VIA truck - large pieces (please specify local truck lines)

VIA United Parcel Service (include full address)

H&S MFG. CO. INC.	
MARSHFIELD, WIS.	
MOD. NO.	<input type="text"/>
SER. NO.	<input type="text"/>
DESCR.	<input type="text"/>

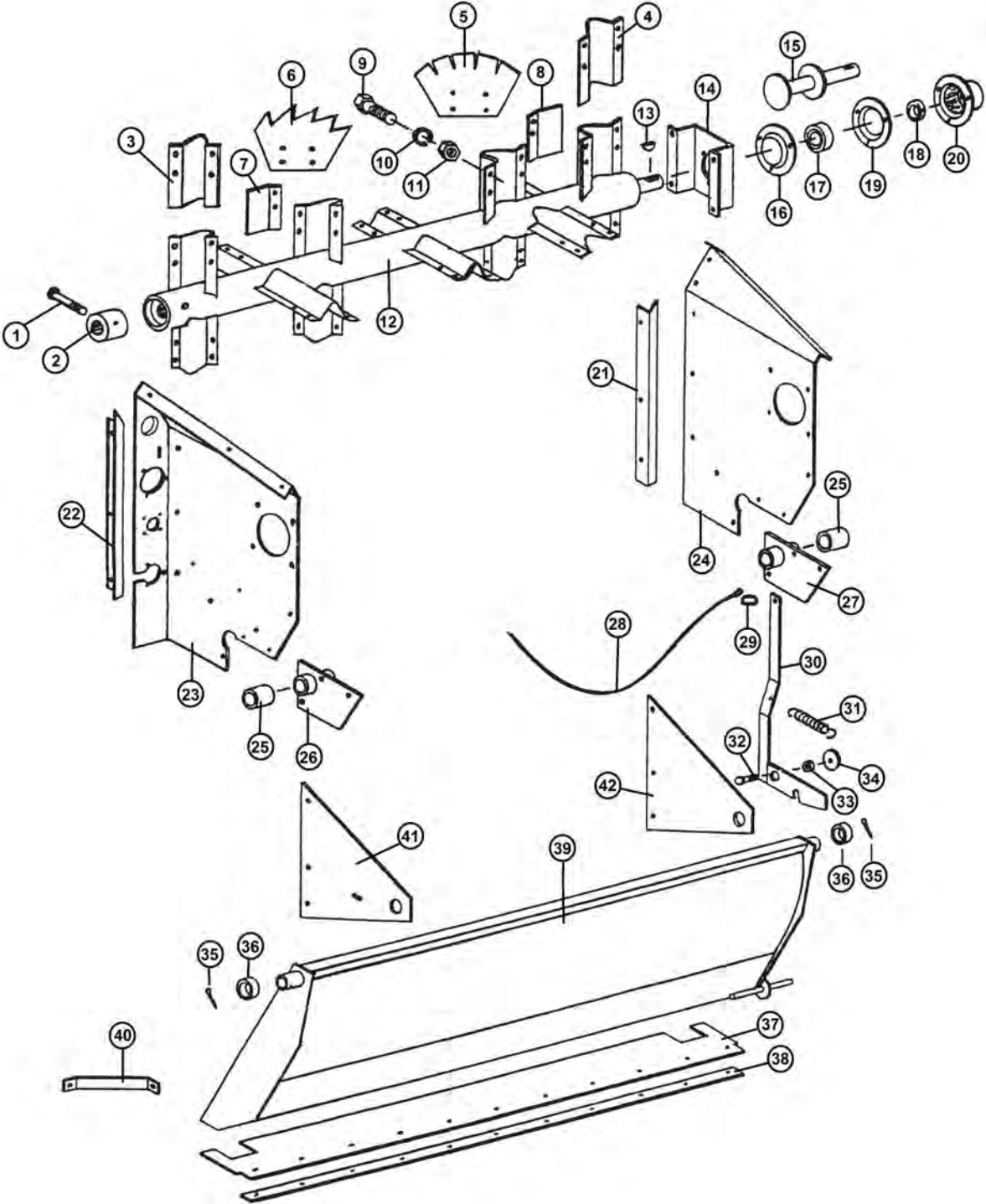
PLEASE RECORD NUMBERS FOR YOUR UNIT FOR QUICK REFERENCE

## ABOUT IMPROVEMENTS

H&S IS CONTINUALLY STRIVING TO IMPROVE IT'S PRODUCTS

We must therefore, reserve the right to make improvements or changes whenever it becomes practical to do so without incurring any obligation to make changes or additions to the equipment previously sold.

**FIGURE 1**  
**BEATER & PAN ASSEMBLY**



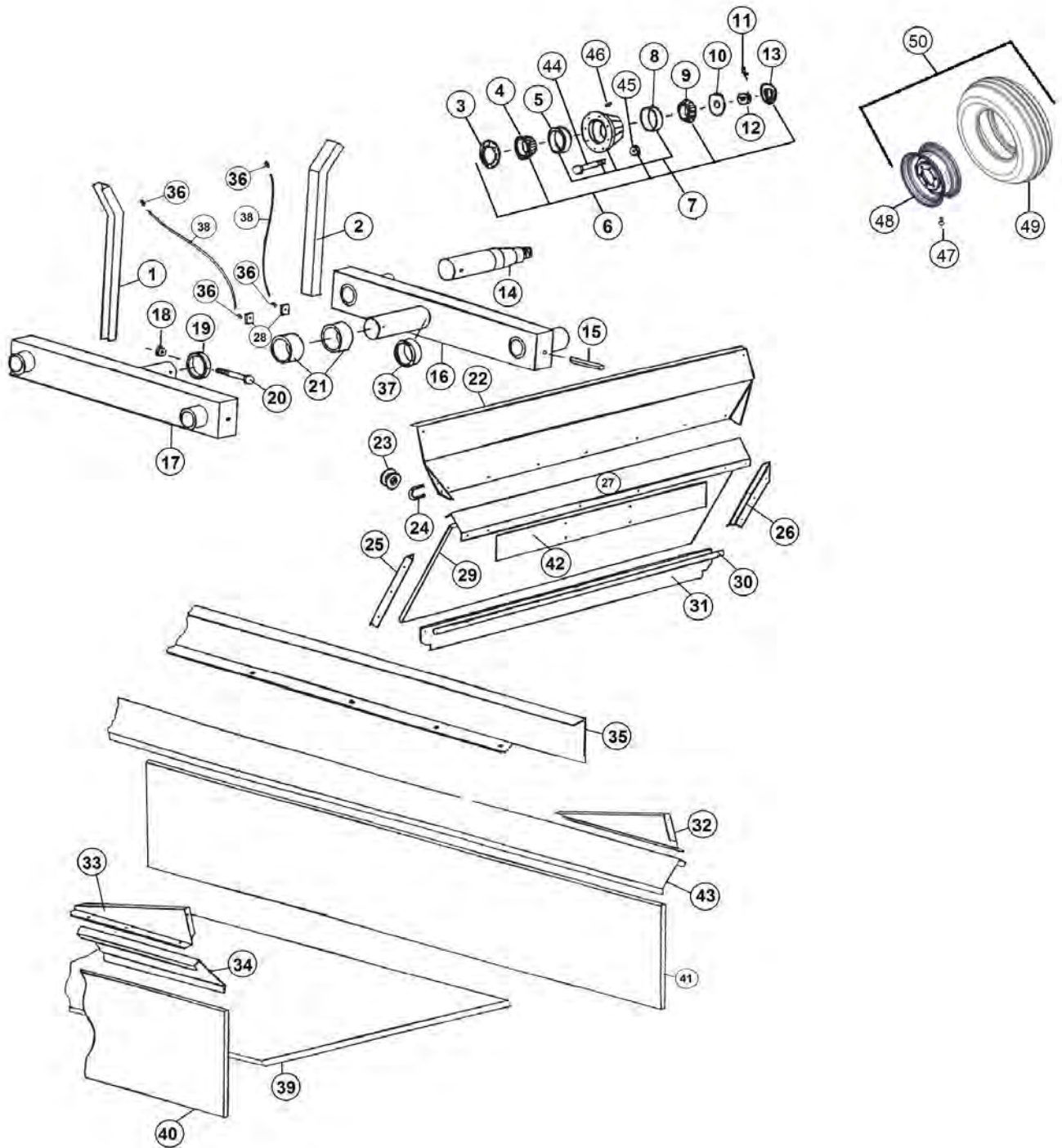
# FIGURE 1

## BEATER & PAN ASSEMBLY

<u>ITEM</u>	<u>PART #</u>	<u>DESCRIPTION</u>
1	YBHH10130	BOLT HEX, 5/16 X 5 G5
2	23N2	SPLINED BEATER INSERT
3	23N3	BEATER BLADE HOLDER LH
4	23N4	BEATER BLADE HOLDER RH
5	23N276	BEATER BLADE - HARDENED
6	23N277	BEATER BLADE - HARDENED
7	23N7	BEATER BLADE WIPER LH
8	23N8	BEATER BLADE WIPER RH
9	YBHH16045	BOLT HEX, 1/2 X 1-1/4 G5
10	YWLO16005	WASHER LOCK, 1/2
11	YNL16005	NUT HEX, 1/2 G5
12	23N9	BEATER
13	5B9	WOODRUFF KEY, 3/8 X 1-1/4
14	23N10	BEATER SHAFT SUPPORT
15	23N11	BEATER STUB SHAFT
16	F116	BEARING FLANGE (HEAVY DUTY)
17	12N122	BEARING W/LOCK COLLAR ASSEMBLY
18	12N122	BEARING W/LOCK COLLAR ASSEMBLY
19	F114A	BEARING FLANGE W/ 45 DEG ZERK
20	23N12	BEARING FLANGE GUARD
21	37N1	SIDE POLY HOLD DOWN RH
22	37N2	SIDE POLY HOLD DOWN LH
23	23N175	MAIN PANEL LH
24	23N16	MAIN PANEL RH
25	23N17	DRIVE SHAFT BUSHING
26	37N78	DRIVE SHAFT BRACKET W/BUSHING LH
27	23N19	DRIVE SHAFT BRACKET W/BUSHING RH
28	31N1	PAN TRIP ROPE
29	R31	CLIP
30	23N21	PAN TRIP LEVER
31	R27	SPRING
32	YBCR16010	BOLT CARRIAGE, 1/2 X 1-1/2 G5
33	23N23	TRIP LEVER SPACER
34	YWFL16005	WASHER FLAT, 1/2 USS
35	YPCT06020	COTTER PIN, 3/16 X 2
36	F112	SPACER
37	23N24	PAN RUBBER FLAP
38	23N25	PAN STRAP
39	23N30	PAN
40	23N27	PAN BRACE
41	23N28	PAN SUPPORT LH
42	23N29	PAN SUPPORT RH

# FIGURE 2

## HUB, SPINDLE & BOX PARTS



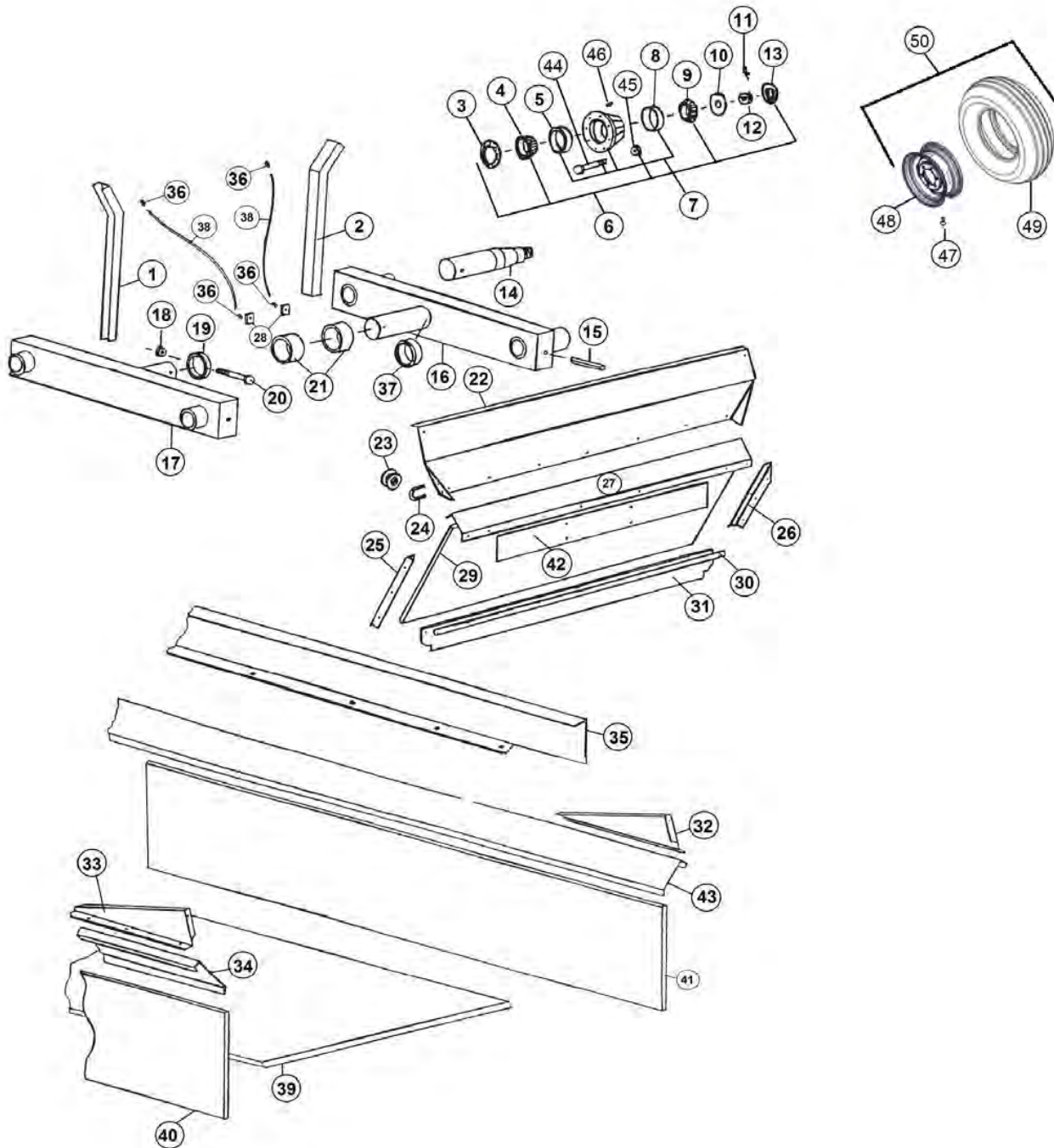
## FIGURE 2

### HUB, SPINDLE AND BOX PARTS

<u>ITEM</u>	<u>PART #</u>	<u>DESCRIPTION</u>
1	37N6	SIDE STAKE RH
2	37N7	SIDE STAKE LH
3	B90	GREASE SEAL
4	B91	INNER BEARING
5	B91A	INNER RACE
6	26G4A	HUB COMPLETE
7	53403	HUB WITH RACES OUTER
8	B94A	RACE
9	B94	OUTER BEARING
10	YWFL28005	WASHER FLAT, 7/8
11	YPCT05020	COTTER PIN, 5/32 X 1-3/4
12	YNSL28005	HEX NUT SLOTTED, 7/8
13	B2	HUB CAP
14	16SV203	SPINDLE
15	YPEX16020	EXPANSION PIN, 1/2 X 4
16	37N85	TANDEM AXLE LH
17	37N84	TANDEM AXLE RH
18	YNTL16005	HEX NUT, TOP LOCK, 1/2
19	37N86	RING
20	YBHH16150	BOLT HEX, 1/2 X 4-3/4 G5
21	70150	POLY BUSHING
22	23N34	FRONT FLARE
23	F33	SIDE CABLE GUIDE
24	YBPU08005	PIPE U BOLT, 1/4 X 3/4
25	37N12	PLYWOOD ANGLE RH

# FIGURE 2

## HUB, SPINDLE AND BOX PARTS





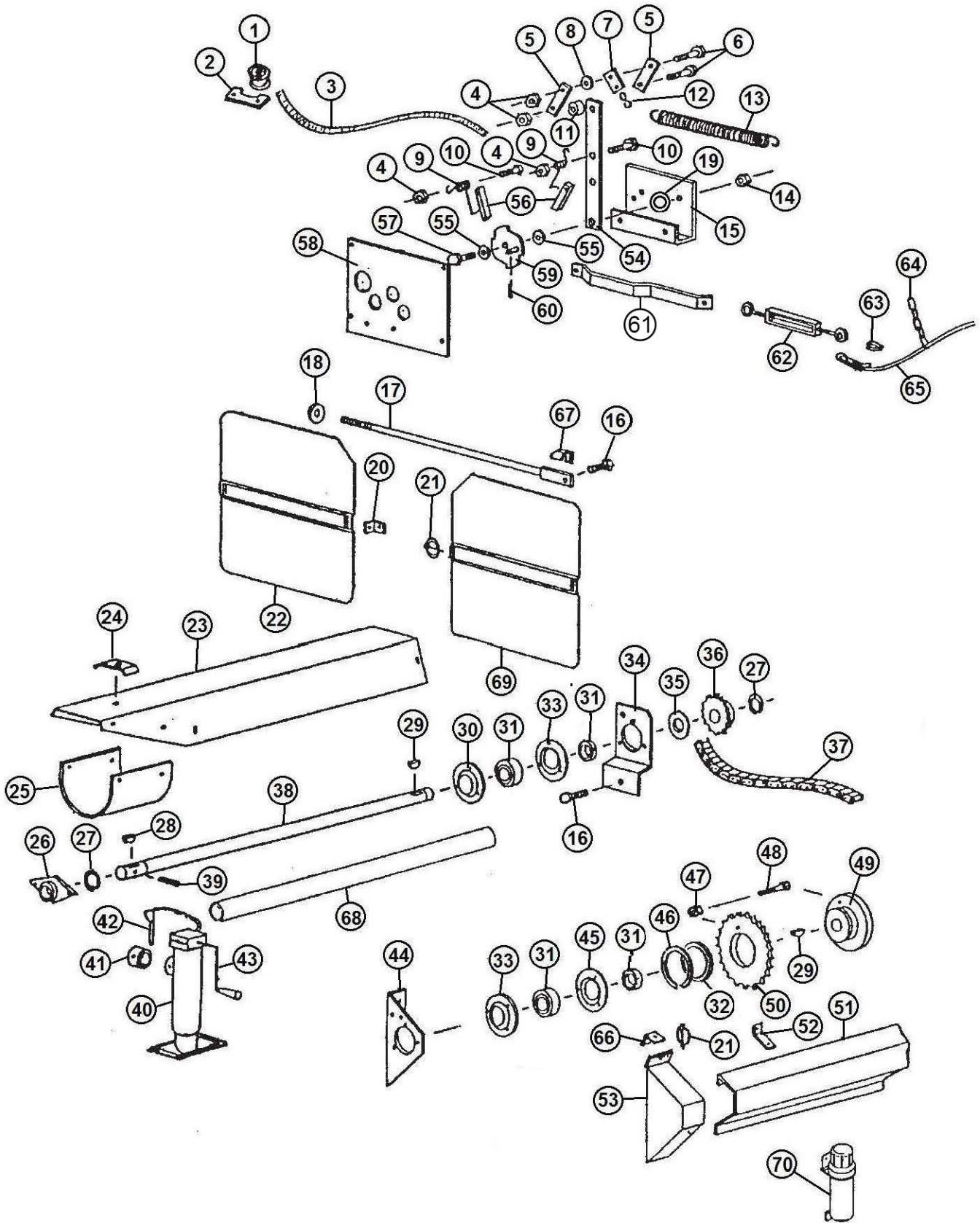
## FIGURE 2

### HUB, SPINDLE AND BOX PARTS

<u>ITEM</u>	<u>PART #</u>	<u>DESCRIPTION</u>
26	37N13	PLYWOOD ANGLE LH
27	23N176	FRONT END BRACE
28	16V9	GREASE ZERK BRACKET
29	37N65A	FRONT GATE PLYWOOD W/FIBERGLASS
30	23N40	STRAP FOR RUBBER
31	23N41	FRONT GATE RUBBER
32	23N42	SPLASH GUARD LH
33	23N43	SPLASH GUARD RH
34	43N3	SIDE FLARE RH
35	43N1	SIDE EXTENSION LH
36	S47	GREASE LINE FITTING
37	70162	POLY BUSHING
38	31N43	GREASE LINE
39	37N81	SOLID POLY FLOOR
40	37N67A	BONDED POLY/PLYWOOD SIDE RH
41	37N68A	BONDED POLY/PLYWOOD SIDE LH
42	37N51	FRONT PANEL
43	43N4	SIDE FLARE LH
44	YBSD20010	BOLT STUD, 5/8 X 2-1/2 X 7/8 G8
45	YNWL20005	NUT WHEEL, 5/8 G5
46	BFR28	GREASE ZERK, 1/8 NPT
47	72436	VALVE STEM 1-1/2 RUBBER
48	12V36	WHEEL 16.1 X 14 8 BOLT (OFF-WHITE)
49	UR5	16.5 X 16.1 10 PLY IMPL TIRES
50	32353	16.5 X 16.1 ON 14 X 16.1, 8-BOLT

# FIGURE 3

## FRONT SHIELD & DRIVE ASSEMBLY



## **FIGURE 3**

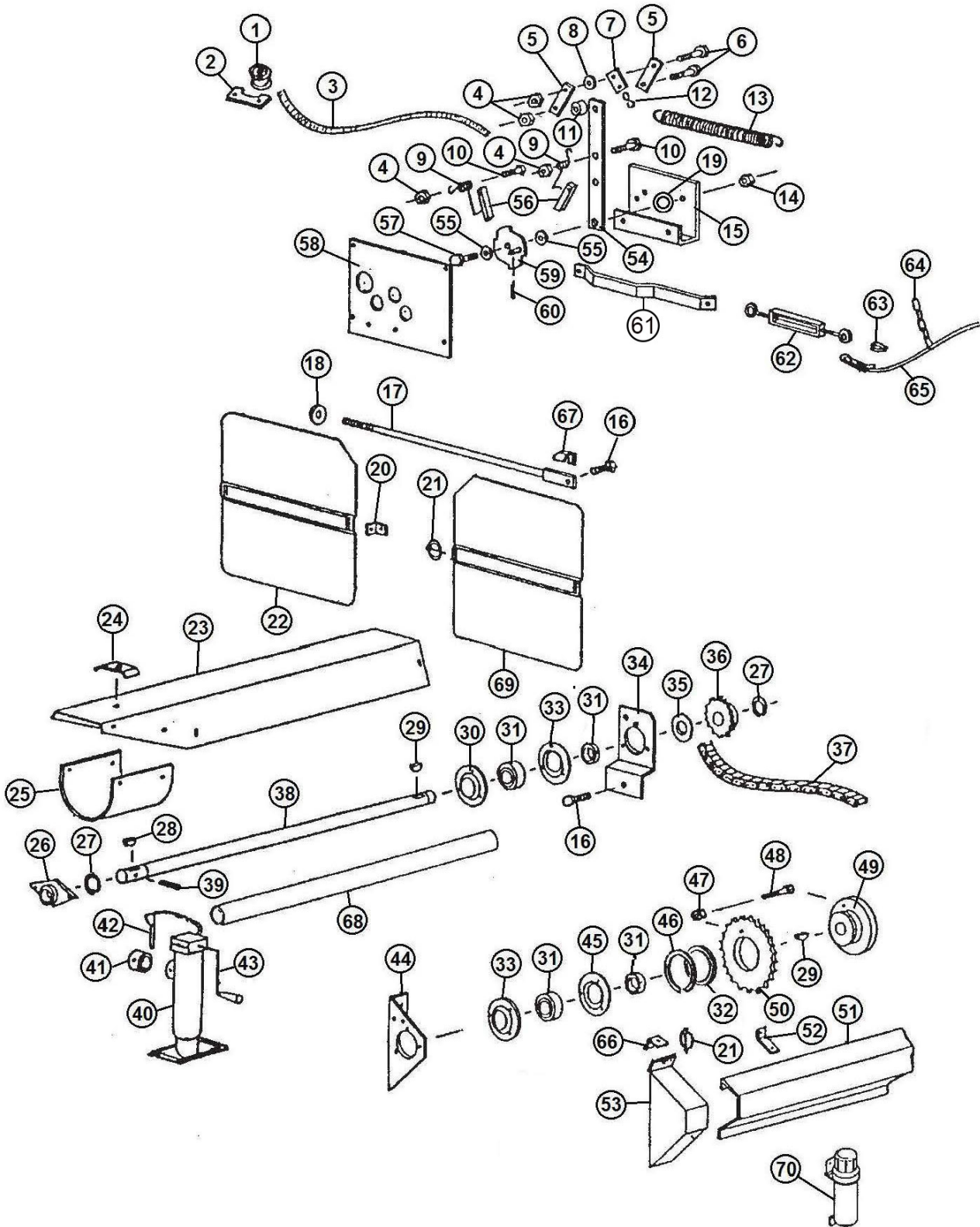
### **FRONT SHIELD & DRIVE ASSEMBLY**

<b><u>ITEM</u></b>	<b><u>PART #</u></b>	<b><u>DESCRIPTION</u></b>
1	F33	CABLE
2	23N182	GUIDE BRACKET
3	77192	ROPE (15)
4	YNTL12005	NUTHEX, TOP LOCK, 3/8
5	23N184	BRACKET
6	YBHH12035	BOLTHEX, 3/8 X 1-1/4 G5
7	23N185	SPRING BRACKET
8	YWFL12005	WASHER FLAT, 3/8
9	23N186	DOG SPRING
10	YBHH12010	BOLT HEX, 3/8 X 1 G5
11	D107	SHIELD SPACER
12	X79	S-HOOK
13	23N187	SPRING
14	YNHX16005	NUTHEX, 1/2
15	23N188	SHIFTER BRACKET
16	YBHH16045	BOLTHEX, 1/2 X 1-1/4 G5
17	23N63	TIGHTENER ROD
18	F129	WASHER
19	31N51	SHIFTER SPACER WASHER
20	F92	SHIELD BRACKET
21	S122	LYNCH PIN W/LANDYARD
22	23N305	FRONT SHIELD
23	23N66	SHIELD
24	23N67	HOSE BRACKET
*	HE42	HYDRAULIC DRIVE BRACKET
25	F54	SHIELD
26	12N29	BEARING
27	F73	SNAP RING
28	5B10	KEY, 1/4 X 1
29	5B9	KEY, 3/8 X 1-1/4
30	F114	FLANGE 1-1/4 STRAIGHT ZERK
31	12N122	BEARING W/LOCK COLLAR
32	C112G01	SHEAR HUB SPACER
33	F14	FLANGE
34	23N68	FRONT ADJUSTMENT PLATE
35	23N69	SPACER
36	23N70	SPROCKET (25T)
*	37N72	SPROCKET (16T) (OPTIONAL 1000 RPM)

**\* MEANS NOT SHOWN**

# FIGURE 3

## FRONT SHIELD & DRIVE ASSEMBLY



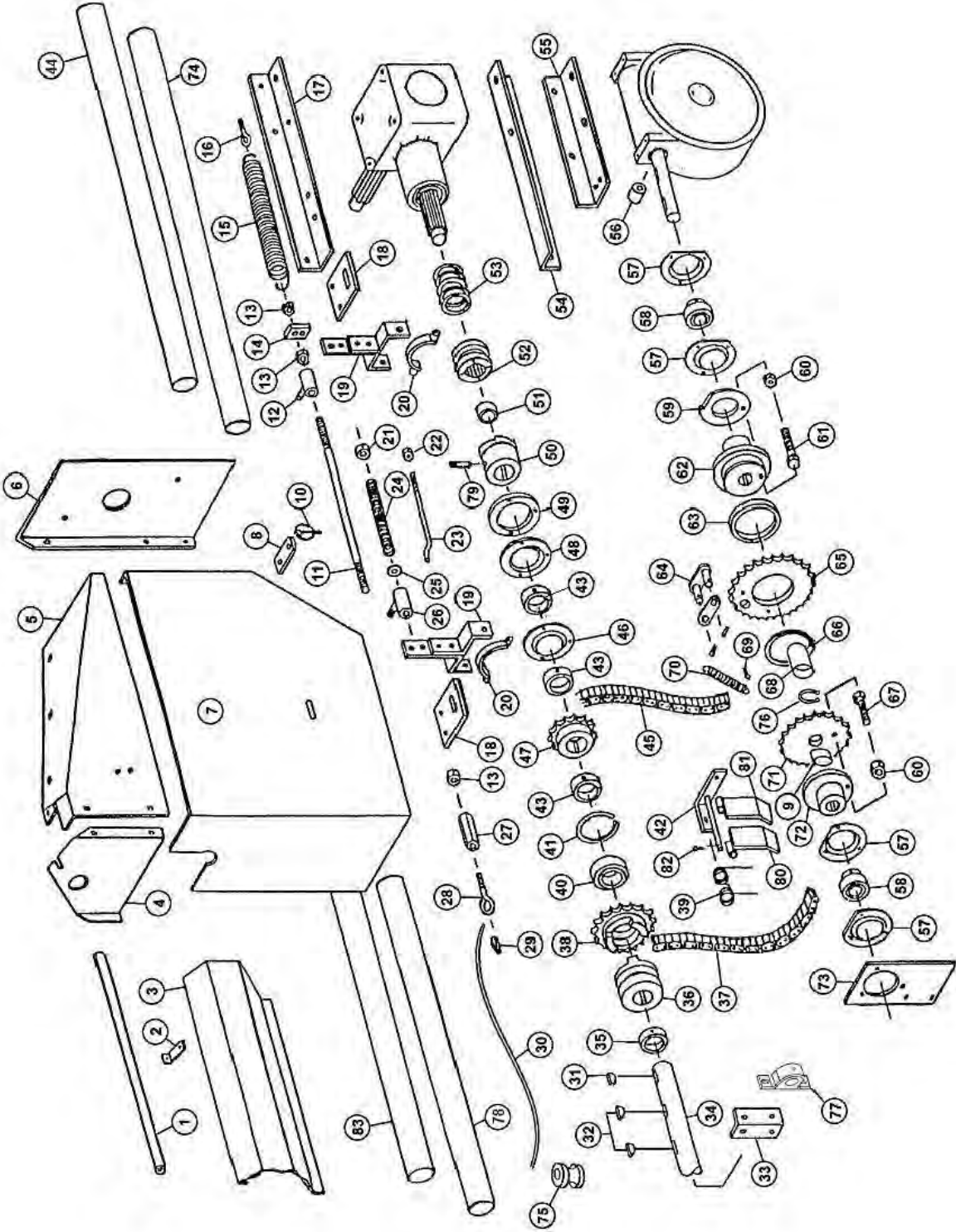
## **FIGURE 3**

### **FRONT SHIELD & DRIVE ASSEMBLY**

<b><u>ITEM</u></b>	<b><u>PART #</u></b>	<b><u>DESCRIPTION</u></b>
37	23N71	ROLLER CHAIN (#60, 122P)
38	23N72	FRONT SHAFT
39	YPEX10020	EXPANSION PIN, 5/16 X 2-1/4
40	27N49	JACK
*	12N120	JACK GEAR REPAIR KIT
41	27N51	JACK MOUNT
42	27N50	JACK PIN
43	12N119	HANDLE
*	12N118	REPLACEMENT BEARING
44	23N74	BEARING PLATE
45	F114A	FLANGE
46	23N189	SNAPRING
47	YNL12005	NUT HEX, TOP LOCK, 3/8
48	YBHH12025	BOLT HEX, 3/8 X 1-1/2 G5
49	45N71	SHEAR HUB
50	C1MS01	SPROCKET (60T A 30T)
51	37N27	SIDE SHIELD
52	23N79	BRACKET
53	23N80	SHIELD
54	23N192	FRONT SHIFTER ARM
55	YWFL16005	WASHER FLAT, 1/2
56	23N193	DOG
57	YBHH16055	BOLT HEX, 1/2 X 1-3/4 G5
58	23N195	SHIFTER PANEL
59	23N196	SPEED SELECTOR
60	YPCT04005	COTTER PIN, 1/8 X 1
61	23N197	SHIFTER ARM
62	F84	TURNBUCKLE
63	ES14	THIMBLE
64	37N64	CABLE CHAIN
65	37N53	CABLE
66	F92	SHIELD BRACKET
67	23N278	SPACER
68	37N74	FRONT SHAFT GUARD
69	23N306	FRONT SHIELD LH MANUAL
70	S522	HOLDER

**\* MEANS NOT SHOWN**

**FIGURE 4**  
**BACK SHIELDS & DRIVE ASSEMBLY**



## FIGURE 4

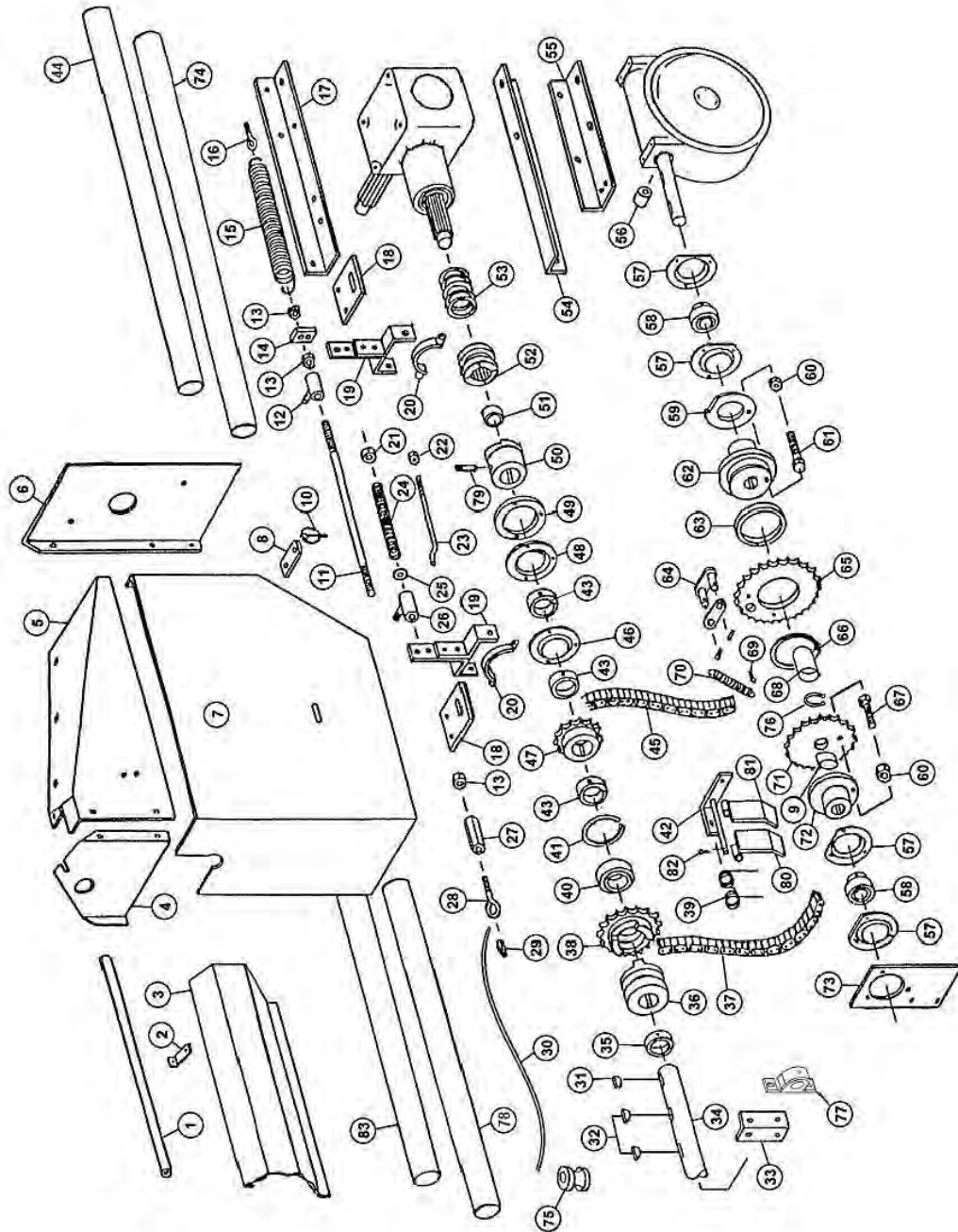
### BACK SHIELDS & DRIVE ASSEMBLY

<u>ITEM</u>	<u>PART #</u>	<u>DESCRIPTION</u>
1	23N200	CABLE GUARD
2	23N79	SIDE SHIELD BRACKET
3	37N54	SIDE SHIELD
4	37N55	SHIELD
5	37N56	BACK SHIELD TOP
6	37N57	BACK SHIELD
7	23N204	COVER
8	23N96	SHIELD BRACKET
9	56027	BUSHING
10	S122	LYNCH PIN /W LANDYARD
11	23N205	CLUTCH ROD
12	23N206	SHIFTING ROD BRACKET
13	YNHX12005	NUT HEX, 3/8
14	23N207	SPRING BRACKET
15	K103	SPRING
16	YBTE08005	TURNED EYE BOLT, 1/4 X 1 FULL
17	23N85	TOP ANGLE
18	23N86	SHIFTER BRACKET
19	D57	SHIFTER LEVER
20	23N208	YOKE W/ ZERK
21	23N209	COLLAR
22	YNTL08005	NUT HEX, TOP LOCK, 1/4
23	23N210	SHIFTING ROD
24	23N211	SPRING BRACKET
25	YWFL12005	WASHER FLAT, 3/8
26	23N206	ROD BRACKET
27	YNCO12005	NUT HEX COUPLING, 3/8 X 1-1/8
28	YBTE12005	TURNED EYE BOLT, 3/8 X 1
29	ES14	CABLE LOOP
30	37N53	CABLE
31	5B9	WOODRUFF KEY, 3/8 X 1-1/4
32	5B10	WOODRUFF KEY, 1/4 X 1
33	23N97	SIDE BEARING BRACKET
34	37N58	SIDE SHAFT
35	F6	COLLAR
36	23N215	THROW-OUT CLUTCH
37	23N93	CHAIN (#50, 60P)
38	23N216	CLUTCH SPROCKET
*	61138	CLUTCH SPROCKET
39	31N33	COMPLETE SPRING TIGHTENER
40	BFR525	BEARING
41	3G19	SNAP RING
42	31N36	TIGHTENER BRACKET
43	12N122	BEARING W/LOCK COLLAR 1-1/4
44	37N76	#4 SIDE SHAFT GUARD
45	23N93	CHAIN (#50 60P)
46	F114A	FLANGE
47	10R11	SPROCKET (13T)

\* MEANS NOT SHOWN

# FIGURE 4

## BACK SHIELDS & DRIVE ASSEMBLY





# FIGURE 4

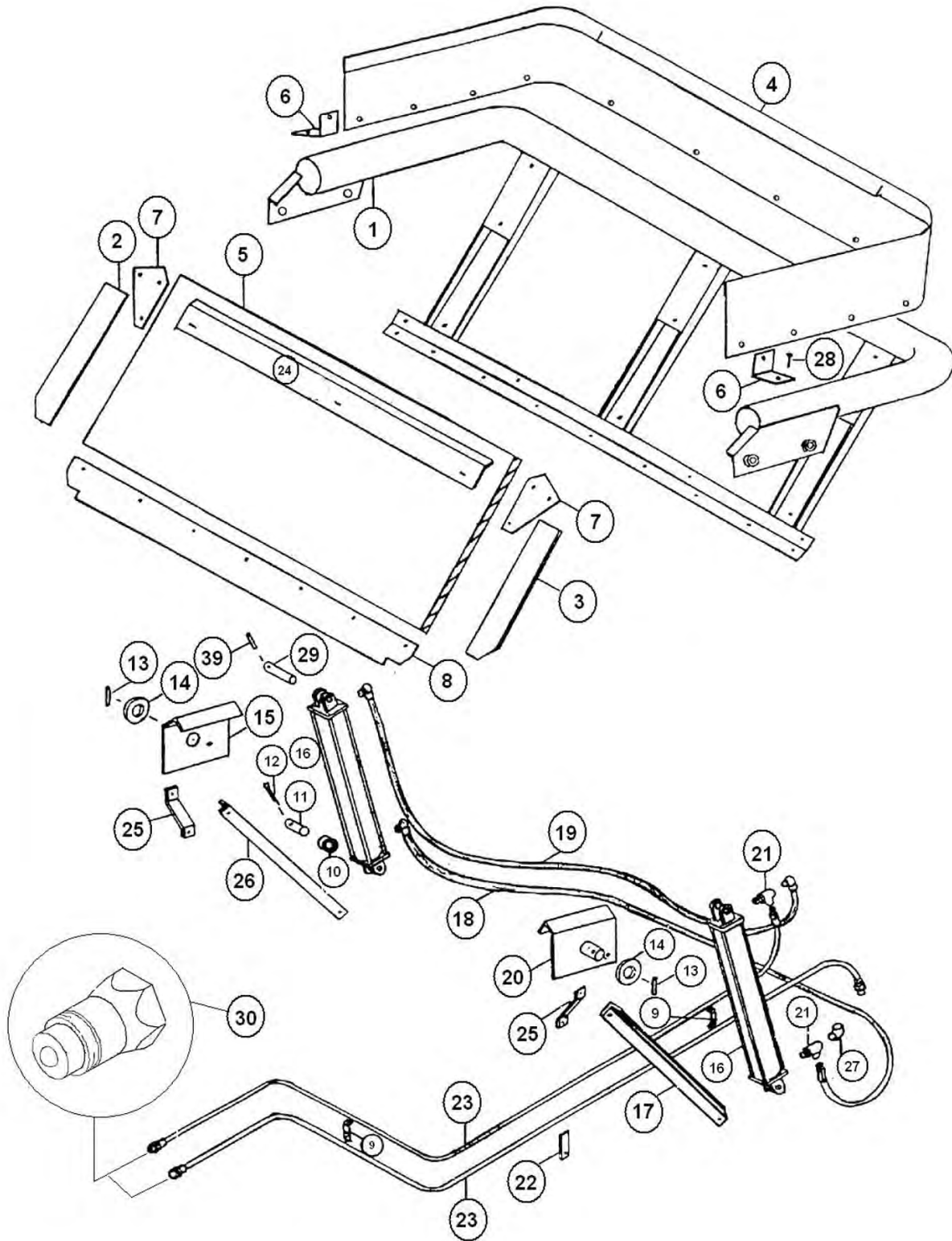
## BACK SHIELDS & DRIVE ASSEMBLY

<u>ITEM</u>	<u>PART #</u>	<u>DESCRIPTION</u>
48	F14	FLANGE
49	23N174	FLANGE SPACER
50	23N241	CLUTCH
51	D68	BRONZE BUSHING
52	23N90	CLUTCH
53	23N89	SPRING
54	23N88	BOTTOM ANGLE
55	23N95	WORM BOX HOLDER
56	23N94	SPACER
57	X85	FLANGE
58	23N221	BEARING W/SETSCREWS
59	23N222	SHEAR PLATE
60	YNTL08005	HEX NUT, TOP LOCK 1/4
61	YBHH08035	BOLT HEX 1/4 X 1-1/4 G5
62	23N224	SHEAR HUB
63	23N225	BRONZE BUSHING
64	60531	CONNECTOR LINK W/ PINS
65	74381	SPROCKET (50T A 30T)
*	23N226	SPROCKET W/BUSHING (50T A 30T)
66	23N227	SNAPRING
67	YBHH08035	BOLT HEX 1/4 X 1-1/4 G5
68	56029	SPACER
69	YPCT04005	COTTER PIN, 1/8 X 1
70	23N229	DOG SPRING
71	56026	SPROCKET (25T)
72	56025	SHEAR HUB
73	23N230	BEARING PANEL
74	37N77	#3 SIDE SHAFT GUARD
75	F33	CABLE GUIDE
76	56024	EXTERNAL SNAP RING, 1-1/2
77	12N36	PILLOW BLOCK BEARING
78	37N75	#1 SIDE SHAFT GUARD
79	YSFD12005	SET SCREW SOCKET FULL DOG PT, 3/8 X 3/4
80	31N34	TIGHTENER BAR LH
81	31N35	TIGHTENER BAR RH
82	YPCT04005	COTTER PIN, 1/8 X 1
*	X60	OFFSET LINK #50
*	X61	CONNECTOR LINK #50
*	31N38	CHAIN TIGHTENER ASSEMBLY
83	37N76	#2 SIDE SHAFT GUARD
*	56036	SPROCKET BUSHING ASSEMBLY (INCLUDES ITEM 71 & 9)

**\* MEANS NOT SHOWN**

# FIGURE 5

## HYDRAULIC ENDGATE ASSEMBLY



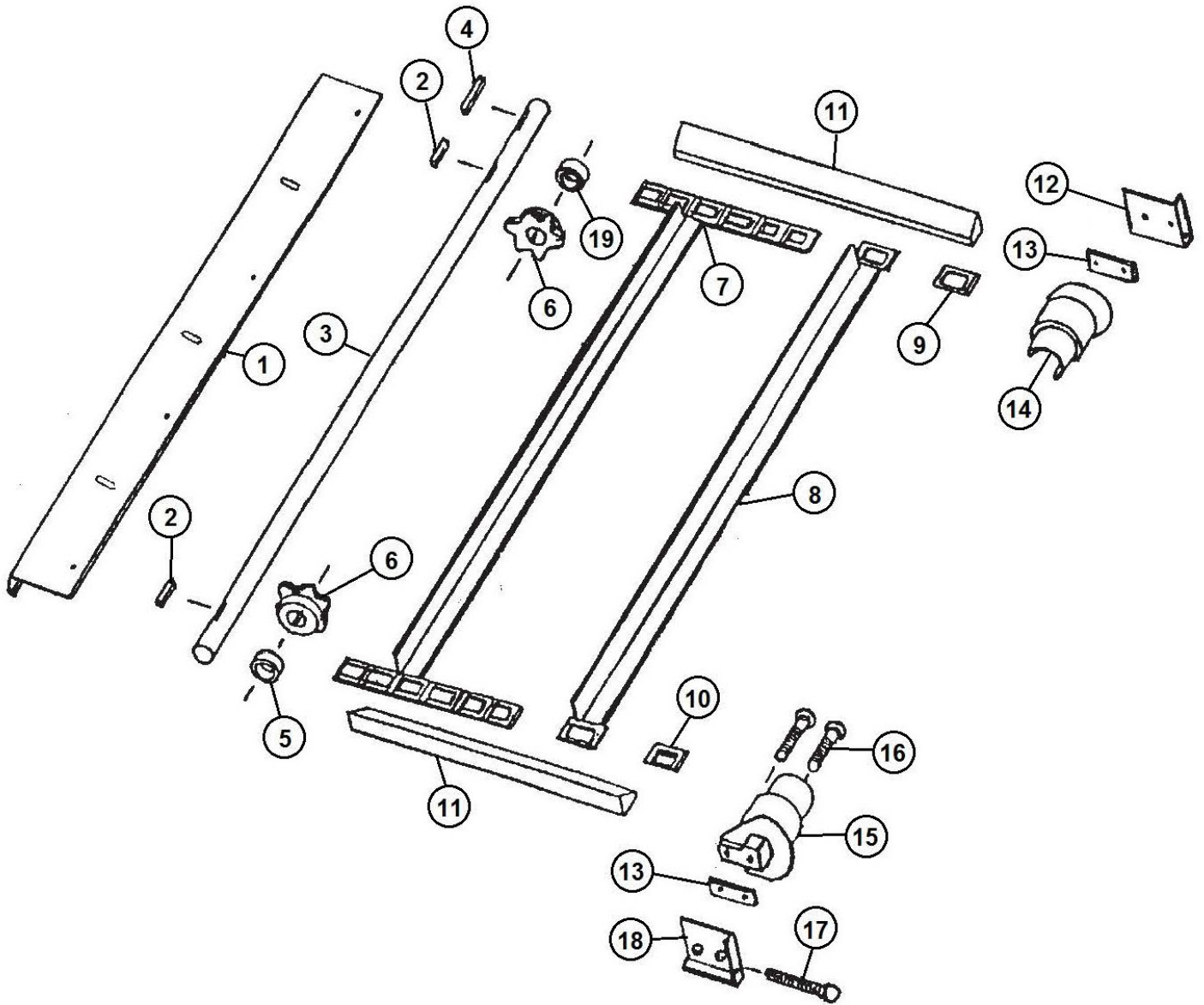
# FIGURE 5

## HYDRAULIC ENDGATE ASSEMBLY

<u>ITEM</u>	<u>PART #</u>	<u>DESCRIPTION</u>
1	37N34	TAILGATE FRAME
2	37N35	SIDE RUBBER RH
3	37N36	SIDE RUBBER LH
4	43N5	BACK EXTENSION
5	37N69A	TAILGATE PLYWOOD W/FIBERGLASS
6	43N6	EXTENSION ANGLE
7	23N104	TAILGATE CORNER
8	23N105	BOTTOM RUBBER
9	23N67	HOSE BRACKET
10	K132	SPACER
11	23N107	CYLINDER PIN
12	YPCT07005	COTTER PIN, 7/32 X 2
13	YPEX10015	EXPANSION PIN, 5/16 X 1-3/4
14	23N109	SPACER
15	23N110	TAILGATE MOUNT RH
16	23N111A	HYDRAULIC CYLINDER
*	56015	HYDRAULIC CYLINDER (2 x 16)
17	37N59	TAILGATE BRACE LH
18	37N60	HYD HOSE, 6, 96IN
19	37N61	HYD HOSE, 6, 138IN
20	23N115	TAILGATE MOUNT LH
21	23N116	TEE
22	23N117	HOSE HOLDER
23	37N83	HYD HOSE, 6 X 238
24	23N163	TAILGATE POLY HOLD DOWN
25	23N232	TAILGATE BRACKET BRACE
26	37N62	TAILGATE BRACKET BRACE
27	23N234	FITTING, 90, 3/8NPT
28	12V3	SELF TAPPING BOLT
29	23N301	CYLINDER PIN
30	DWM205	MALE QUICK COUPLER

# FIGURE 6

## APRON CHAIN ASSEMBLY

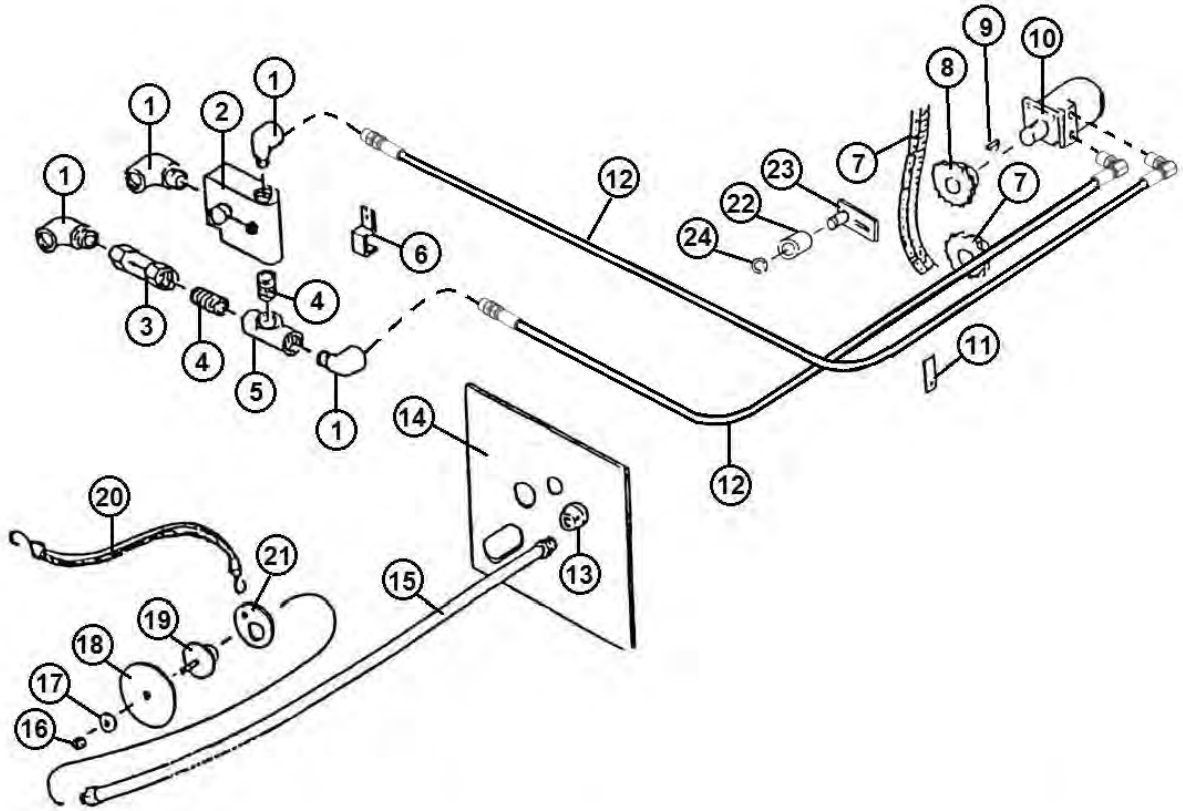


**FIGURE 6**  
**APRON CHAIN ASSEMBLY**

<b><u>ITEM</u></b>	<b><u>PART #</u></b>	<b><u>DESCRIPTION</u></b>
1	37N82	DRIVE SHAFT SHIELD
2	23N303	SQUARE KEY, 3/8 X 1-3/4
3	27N19	DRIVE SHAFT
4	S138	SQ. KEY W/ROUND ENDS, 3/8 X 2-3/8
5	23N121	SPACER
6	23N122	DRIVE SPROCKET (6T)
7	37N42	APRON CHAIN 28 SLATS, 280 LINKS
8	23N124	SLAT W/ATTACHMENT LINKS
9	S55	T-ROD STANDARD LINK
10	S55	T-ROD STANDARD LINK
11	37N43	APRON CHAIN SIDE SPACERS
12	A30	CHAIN SLIDE PLATE LH
13	23N126	CHAIN SLIDE SPACER
14	23N127	T-ROD SLIDE LH
15	23N128	T-ROD SLIDE RH
16	YBCR16045	BOLT CARRIAGE, 1/2 X 4 G5
17	YBHH16145	BOLT HEX, 1/2 X 4-1/2 G5
18	A29	CHAIN SLIDE PLATE RH
19	23N266	SPACER, 5/16

# FIGURE 7

## OPTIONAL HYDRAULIC DRIVE ASSEMBLY

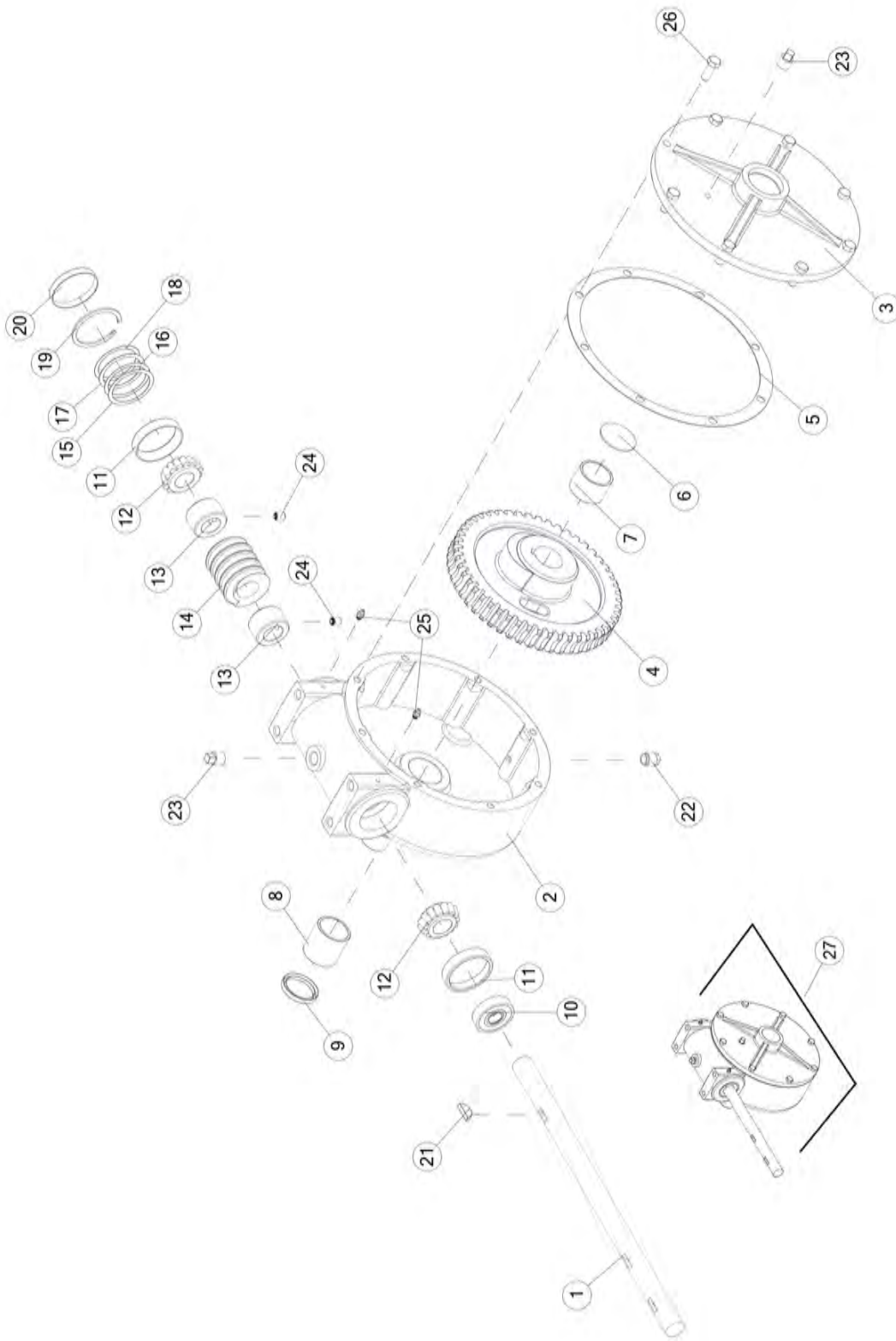


# FIGURE 7

## OPTIONAL HYDRAULIC DRIVE ASSEMBLY

<u>ITEM</u>	<u>PART #</u>	<u>DESCRIPTION</u>
1	HE58	FITTING, 90, 1/2NPT, 1/2NPT
2	DF15	SPEED CONTROL
3	DF18	CHECK VALVE
4	DF7	FITTING STRAIGHT, 1/2NPT, 1/2NPT
5	DF8	FITTING TEE, 1/2NPT, 1/2NPT, 1/2NPT
6	HE14	PIPE BRACKET
7	23N131	ROLLAR CHAIN (#50)
8	11S19	SINGLE SPROCKET (20T)
9	5B10	WOODRUFF KEY, 1/4 X 1
10	DF1	HYD MOTOR
11	23N117	HOSE HOLDER
12	77330	HYD HOSE, 6, 224IN
13	DF21	REDUCER
14	23N133	CONTROL PANEL
15	DF9	HYD HOSE, 8, 72IN
16	YNTL12005	HEX NUT, 3/8
17	DF12	SPACER
18	DF11	CONTROL HANDLE
19	DF10	HANDLE BRACKET
20	DF14	STRAP
21	DF22	RING FOR STRAP
22	23N238	CHAIN TIGHTENER ROLLER
23	L10R35	CHAIN TIGHTENER
24	10R32	SNAP RING EXTERNAL

**FIGURE 8**  
**WORM GEARBOX ASSEMBLY**





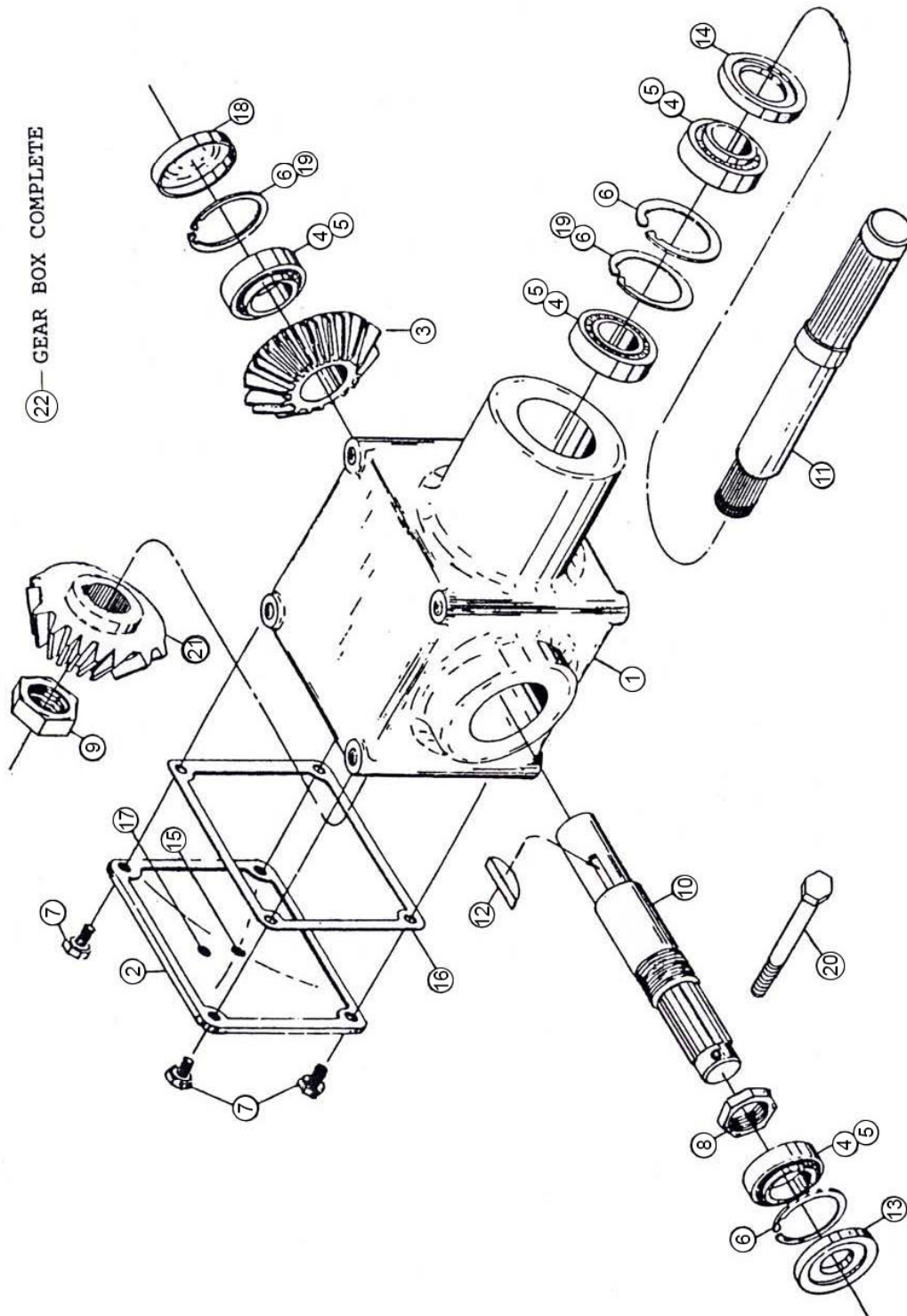
# FIGURE 8

## WORM GEARBOX ASSEMBLY

<u>ITEM</u>	<u>PART #</u>	<u>DESCRIPTION</u>
1	23N236	WORM GEAR SHAFT
2	G114	GEAR BOX HOUSING
3	G116	WORM GEAR BOX COVER
4	G77	WORM GEAR ASSEMBLY
5	G88	GASKET
6	G117	FROST PLUG, 1-7/8
7	X75	BEARING OIL 1-1/2 X 1-3/4 X 1/4
8	X8	BUSHING, 1-3/4 OD X 1-1/2 ID X 1-3/4 LONG
9	17G133	SEAL
10	G123	OIL SEAL
11	12N19	INNER RACE
12	3G7	TAPER BEARING
13	X9	SPACER
14	G76	WORM
15	G92	SHIM
16	59249	SHIM
17	59250	SHIM
18	58748	SHIM
19	3G19	SNAP RING INTERNAL
20	G90	CAP
21	5B10	WOODRUFF KEY, 1/4 X 1
22	3G20	PLASTIC PIPE PLUG, 3/8
23	G65	PLUG PIPE, 3/8 NPT
24	YSKP12010	SET SCREW, SOCKET, KNURLED CUP PT, 3/8 X 1/2
25	G89	STRAIGHT ZERK, 1/4
26	YBHH12010	BOLT HEX, 3/8 X 1 G5
27	G122	WORM GEAR BOX

# FIGURE 9

## BEVEL GEARBOX



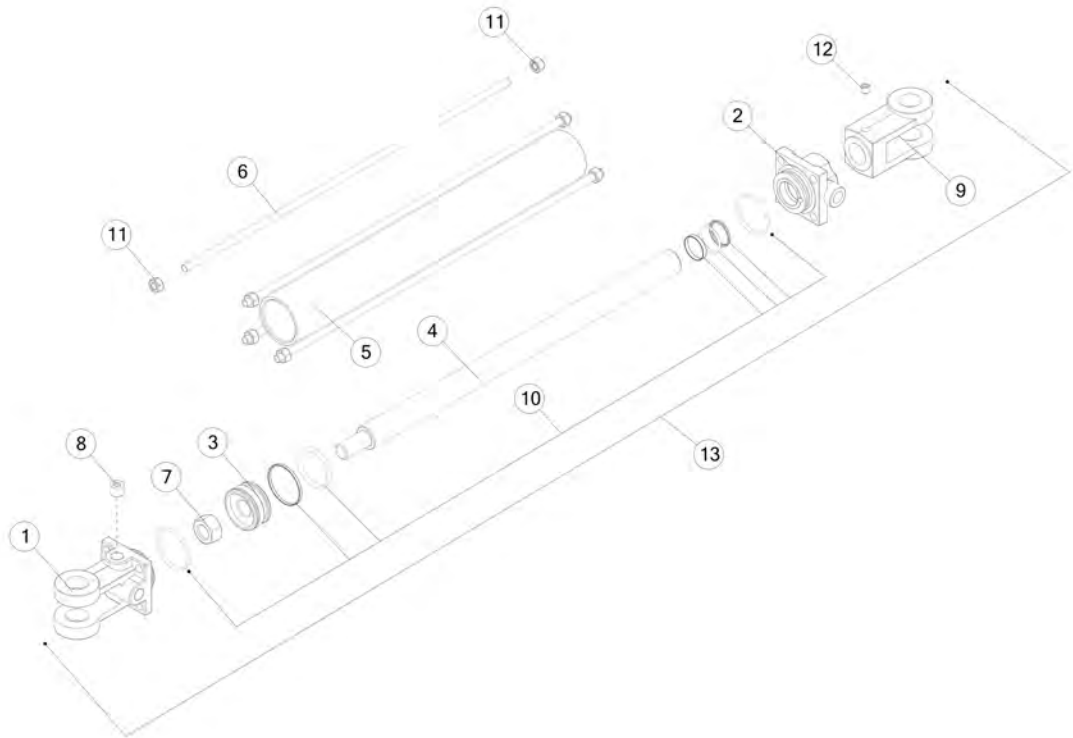
# FIGURE 9

## BEVEL GEARBOX

<u>ITEM</u>	<u>PART #</u>	<u>DESCRIPTION</u>
1	G50	HOUSING
2	G51	COVER
3	23N136	BEVEL GEAR (24T)
4	G53	BEARING
5	18VB25	RACE
6	G55	SNAP RING
7	YBHH10132	CAPSCREW, 5/16 X 5/8
8	G57	STAKE NUT, 1-1/2
9	31N39	STAKE NUT, 1-1/8
10	23N137	SHAFT OUTPUT
11	31N40	SHAFT INPUT
12	G61	WOODRUFF KEY
13	G63	SEAL OUTPUT
14	G64	SEAL INPUT
15	G65	PLUG, 1/8 NPT
16	G66	GASKET
17	G67	PLUG, 1/8 NPT
18	G68	CAP
19	G69	SHIM
20	YBHH10130	BOLT HEX, 5/16 X 5 G5
21	31N41	BEVEL GEAR, SPLINED (16T)
22	31N42	BEVEL GEARBOX COMPLETE

# FIGURE 10

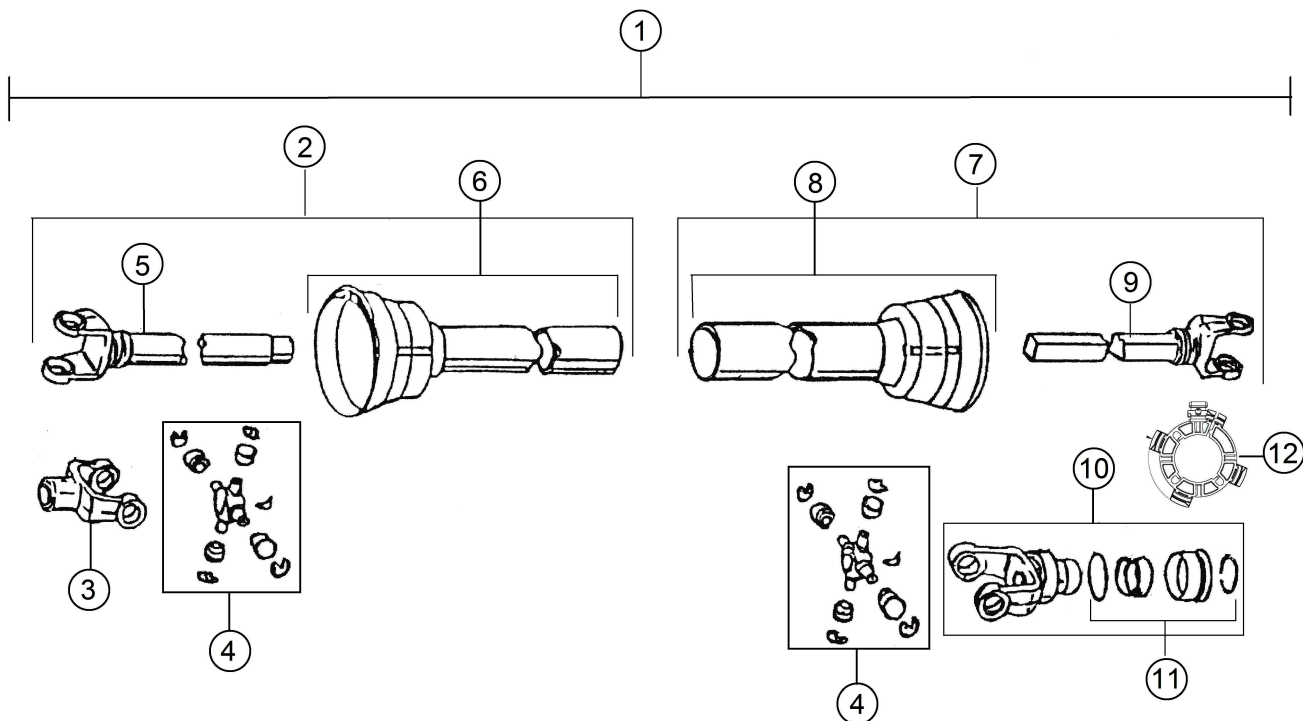
## HYDRAULIC CYLINDER



<u>ITEM</u>	<u>PART #</u>	<u>DESCRIPTION</u>
1	23N142A	CLEVIS CAP FOR 2 IN CYLINDER
2	56174	ROD CAP
3	56180	PISTON FOR 2 IN CYLINDER
4	23N145A	ROD
5	23N146	CYLINDER TUBE
6	23N147	SHAFT RND 0.33 X 20.19
7	23N148	PISTON NUT
8	23N149	PLUG
9	23N150A	ROD CLEVIS
10	56187	SEAL KIT FOR 2 IN CYLINDER
11	YNHX12006	NUT HEX, 3/8 G2
12	YSSO12015	SET SCREW SOCKET, 3/8 X 3/8
13	56015	HYDRAULIC CYLINDER (2 X 16)

# FIGURE 11

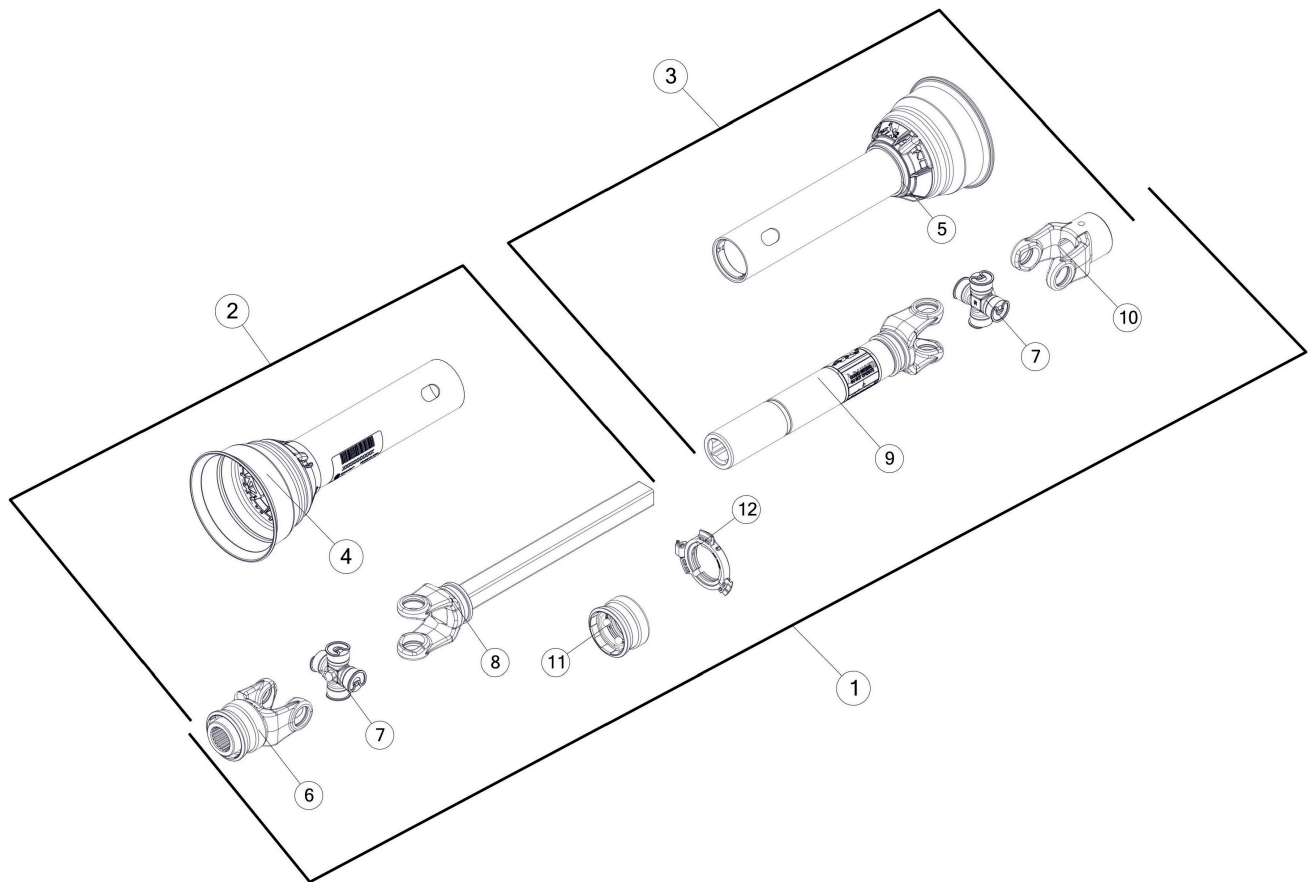
## PTO ASSEMBLY



<u>ITEM</u>	<u>540 RPM</u>	<u>DESCRIPTION</u>
1	23N152	COMPLETE PTO
2	23N153	MACHINE HALF PTO W/SHIELD
3	G1R35	YOKE 1-1/4
4	14NW	14R CROSS & BEARING KIT
5	23N155	YOKE AND TUBE
6	23N156	INNER GUARD
7	23N157	TRACTOR HALF PTO W/SHIELD
8	23N158	OUTER GUARD
9	23N159	YOKE AND SHAFT
10	23N162	PTO LOCK YOKE ASSEMBLY (540)
11	S225	SPRING-LOK REPAIR KIT
12	16SV181	NYLON REPAIR
*	S402	ADMA SAFETY MANUAL

\* MEANS NOT SHOWN

**FIGURE 12**  
**PTO ASSEMBLY (1000RPM)**

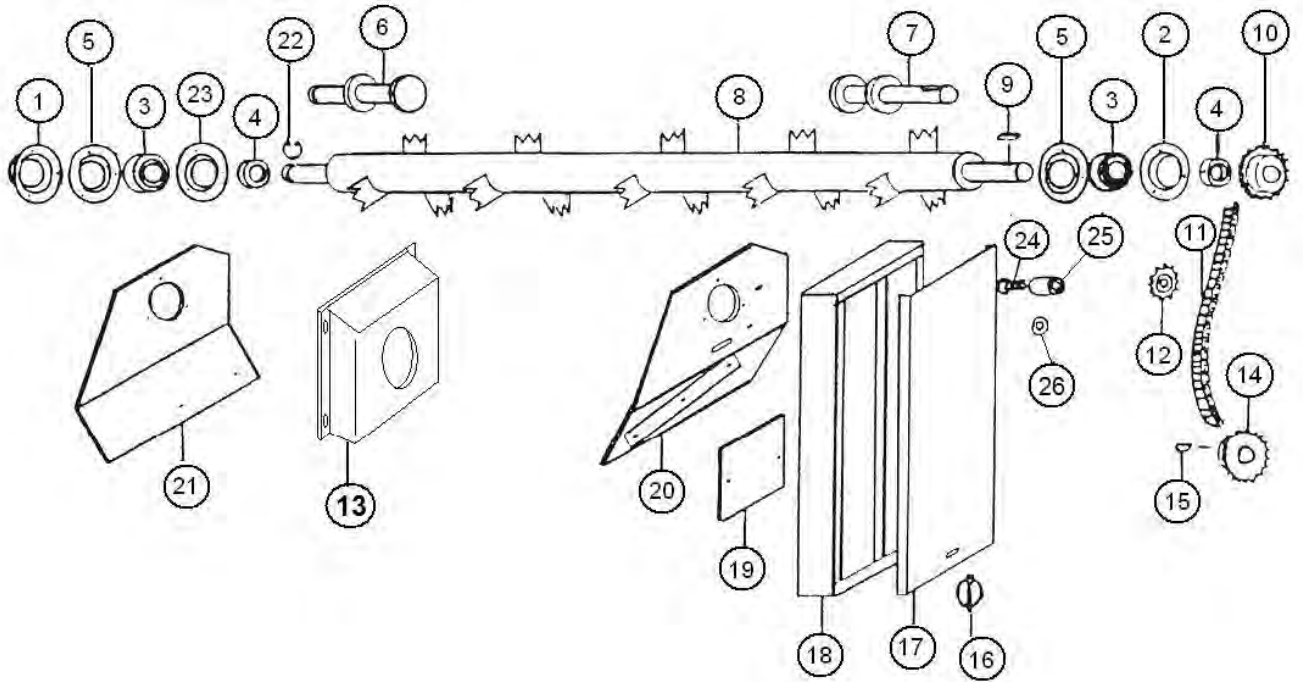


**FIGURE 12**  
**PTO ASSEMBLY (1000RPM)**

<b><u>ITEM</u></b>	<b><u>PART #</u></b>	<b><u>DESCRIPTION</u></b>
1	23N313	COMPLETE PTO
2	23N314	PTO TRACTOR HALF W/SHIELD
3	23N153	MACHINE HALF PTO W/SHIELD
4	55864	OUTER GUARD
5	23N156	INNER GUARD
6	37N73	1000 RPM YOKE
7	14NW	14R CROSS & BEARING KIT
8	23N159	YOKE AND SHAFT
9	23N155	YOKE AND TUBE
10	G1R35	YOKE 1-1/4
11	S225	SPRING-LOK REPAIR KIT
12	55861	GUARD REPAIR KIT
*	S402	ADMA SAFETY MANUAL

**\* MEANS NOT SHOWN**

**FIGURE 13**  
**OPTIONAL 2ND BEATER**



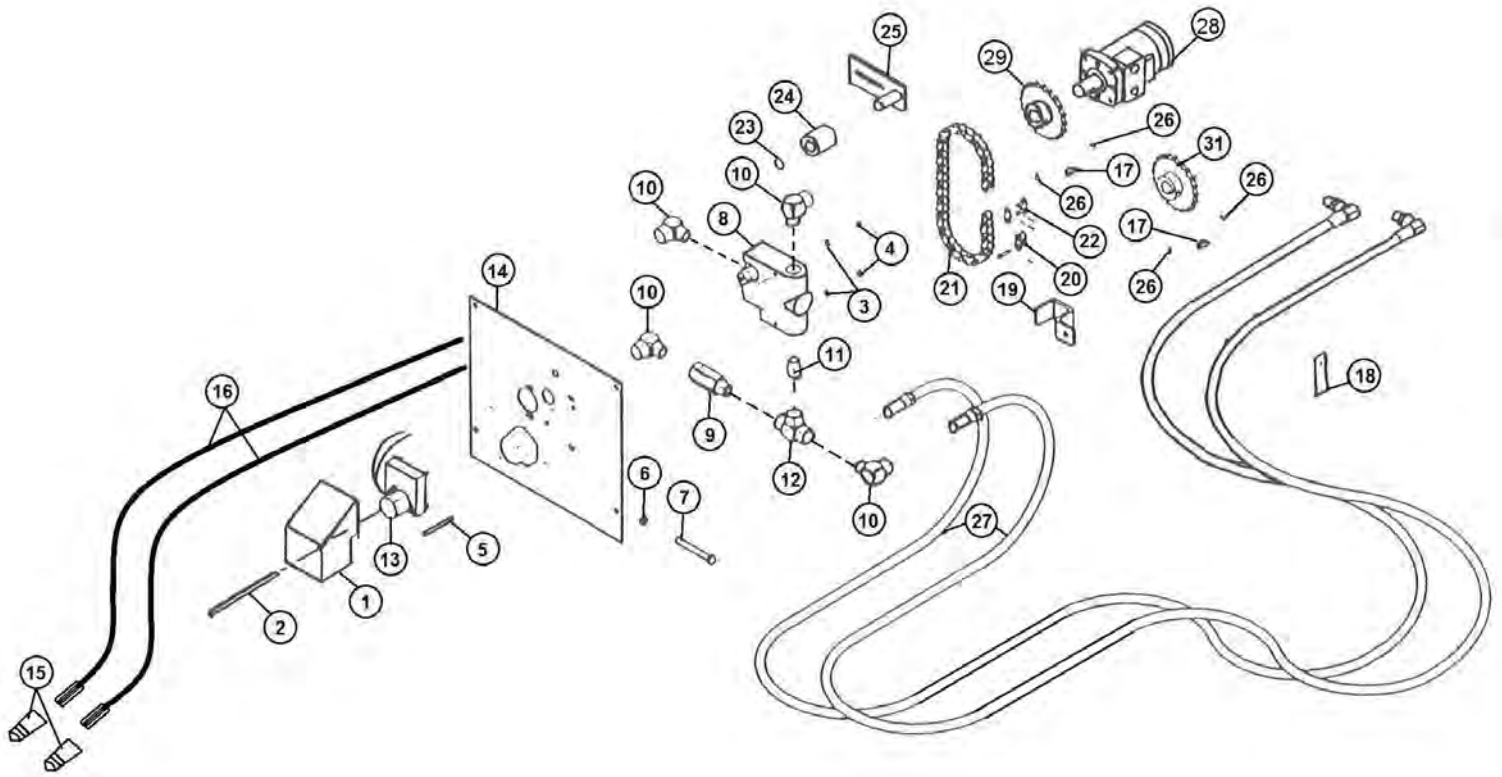


## FIGURE 13

### OPTIONAL 2ND BEATER

<u>ITEM</u>	<u>PART #</u>	<u>DESCRIPTION</u>
1	77318	BEARING FLANGE
2	F114A	BEARING FLANGE W/45 DEG ZERK
3	12N122	BALL BEARING
4	12N122	BALL BEARING
5	F14	BEARING FLANGE W/ZERK
6	23N164	STUB SHAFT LH
7	23N165	STUB SHAFT RH
8	23N166	SECOND BEATER
9	G23	SQUARE KEY, 5/16 X 1-1/4
10	D18	SPROCKET (16T)
11	37N49	ROLLER CHAIN (#60)
12	12N42	IDLER SPROCKET (15T)
13	57216	BEATER BEARING PROTECTOR
14	F13	SPROCKET (20T)
15	5B9	WOODRUFF KEY, 3/8 X 1-1/4
16	F56	LYNCH PIN W/ LANDYARD
17	23N169	COVER
18	37N48	SHIELD
19	77610	SHIELD
20	37N46	PANEL RH
21	37N47	PANEL LH
22	F73	SNAP RING, 1-1/4
23	F114A	FLANGE W/ STRAIGHT ZERK
24	YBCR16030	BOLT CARRIAGE, 1/2-13 X 2-1/2 G5
25	23N168	SPACER
26	12N44	SHIM

**FIGURE 14**  
**OPTIONAL ELECTRIC CONTROL FOR HYDRAULIC DRIVE**



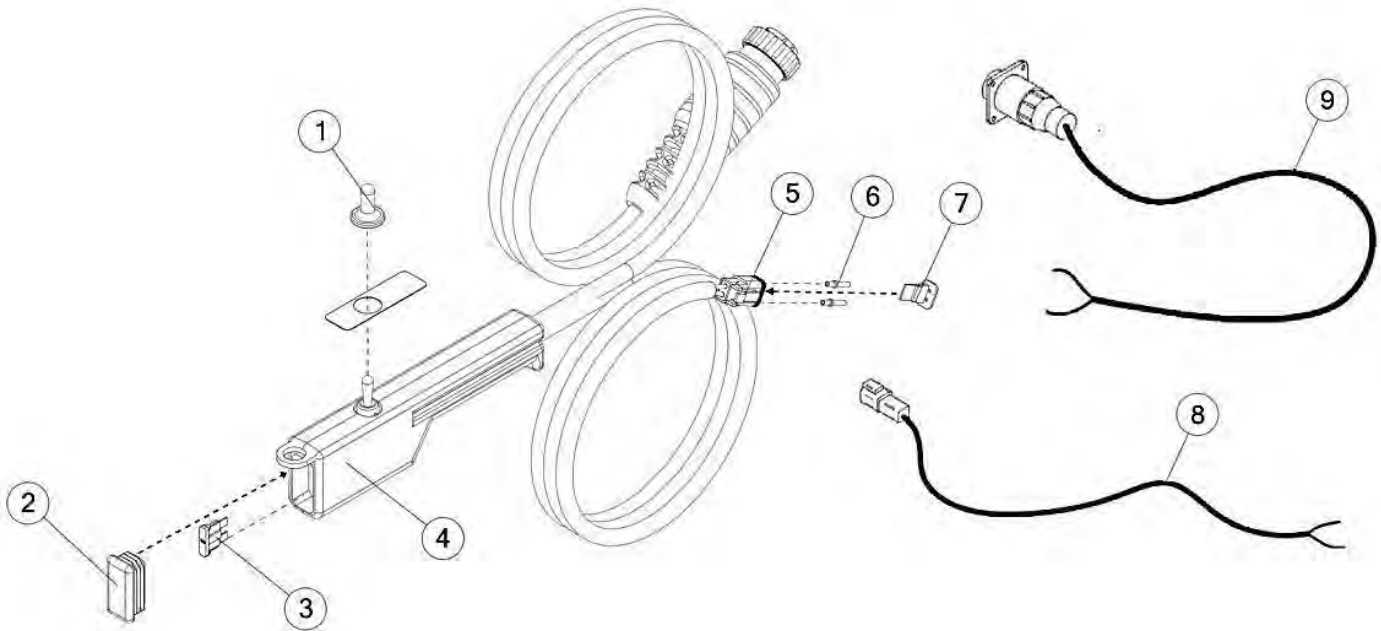
## **FIGURE 14**

### **OPTIONAL ELECTRIC CONTROL FOR HYDRAULIC DRIVE**

<b><u>ITEM</u></b>	<b><u>PART #</u></b>	<b><u>DESCRIPTION</u></b>
1.	43H1	MOTOR SHIELD HOLDER
2.	43H3	SHIELD BOLT
3.	YWLO08005	LOCK WASHER, 1/4
4.	YNTL08005	HEX NUT, 1/4 G2
5.	YBCR08025	BOLT CARRIAGE, 1/4 X 2-1/2 G5
6.	YNTL12005	NUT HEX, 3/8
7.	43H5	FLOW INDICATOR BOLT, 3/8 X 3 G2
8.	DF15A	FLOW CONTROL
9.	DF18	CHECK VALVE
10.	HE58	FITTING 90, 1/2NPT, 1/2NPT
11.	DF4	FITTING STRAIGHT, 1/2NPT, 1/2NPT
12.	DF8	FITTING TEE, 1/2NPT, 1/2NPT, 1/2NPT
13.	16SV246	GEAR MOTOR
14.	23N133	CONTROL PANEL
15.	DWM205	MALE QUICK COUPLER
16.	23N309	HYD HOSE, 8, 96IN
17.	5B10	WOODRUFF KEY, 1/4 X 1
18.	23N117	HOSE HOLDER
19.	HE14	PIPE BRACKET
20.	X60	OFFSET LINK (#50)
21.	23N131	ROLLER CHAIN (#50)
22.	X61	CONNECTOR LINK (#50)
23.	10R32	SNAP RING EXTERNAL
24.	23N238	CHAIN TIGHTENER ROLLER
25.	L10R35	TIGHTENER BRAKET
26.	YSKP10010	SCREW SOCKET HEAD, 5/16 X 3/8
27.	77330	HYD HOSE, 6, 224IN
28.	DF1	HYDRAULIC MOTOR
29.	11S19	DRIVE SPROCKET (20T)

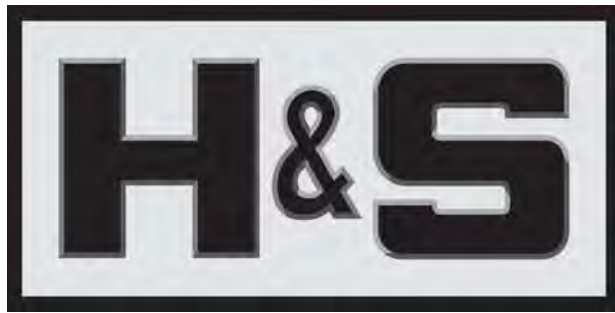
## FIGURE 15

### ELECTRIC CONTROL



<u>ITEM</u>	<u>QTY</u>	<u>PART #</u>	<u>DESCRIPTION</u>
1	1	16SV235	SWITCH BOOTS
2	1	61564	CAP
3	1	61597	FUSE BLADE 5AMP
4	1	63365	HAND CONTROLLER COMPLETE
5	1	58790	DEUTSCH 2 PIN PLUG
6	2	56760	DEUTSCH SOCKET SOLID 14-16 GA
7	1	58793	LOCKING WEDGE FOR DT06-2S CONNECTOR
8	1	56N134	SPREADER CONTROL CORD
9	1	16SV269	TRACTOR CONTROL CABLE





**H&S Manufacturing products are approved for the  
FEMA SEAL OF QUALITY**

**P.O. BOX 768, MARSHFIELD, WI 54449  
(715) 387-3414 FAX (715) 384-5463  
[www.hsmfgco.com](http://www.hsmfgco.com)**