

H&S PARTS BOOK

S3143 MANURE SPREADER



Revision #07
Starting Ser. #911MS43010

HSMFG0719

PART#72639

Manufactured by
H&S MANUFACTURING CO., INC.
2608 S. HUME AVE. MARSHFIELD, WI 54449
(715) 387-3414 | hsmfgco.com



CONTENTS

| | |
|--|-------|
| Instructions for Ordering Parts - About Improvements | 1 |
| Figure 1 - Beater and Pan Assembly. | 2-3 |
| Figure 2 - Hub,Spindle and Box Parts. | 4-7 |
| Figure 3 - Front Shield and Drive Assembly. | 8-11 |
| Figure 4 - Back Shields and Drive Assembly. | 12-15 |
| Figure 5 - Hydraulic Endgate Assembly. | 16-17 |
| Figure 6 - Apron Chain Assembly. | 18-19 |
| Figure 7 - Optional Hydraulic Drive Assembly | 20-21 |
| Figure 8 - Worm Gearbox Assembly. | 22-23 |
| Figure 9 - Bevel Gearbox | 24-25 |
| Figure 10 - Hydraulic Cylinder. | 26-27 |
| Figure 11 - PTO Assembly. | 28-29 |
| Figure 12 - PTO Assembly (1000RPM) | 30-31 |
| Figure 13 - Optional Second Beater | 32-35 |
| Figure 14 - Optional Electric Control for Hydraulic Drive. | 36-37 |
| Figure 15 - Electric Control | 38-39 |
| Figure 16 - Optional Light Kit | 40-41 |
| Parts Notes | 42 |

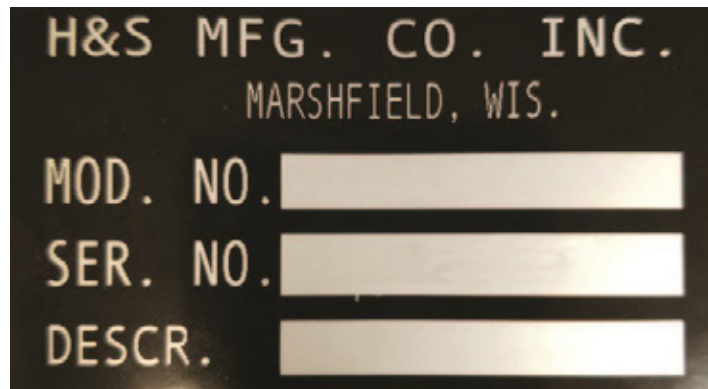
INSTRUCTIONS FOR ORDERING PARTS

All service parts should be ordered through your authorized H&S dealer. He will be able to give you faster service if you will provide them with the following:

1. Model & Serial Number - Both can be located on the front PTO bearing support mount.
2. All references to left or right apply to the machine as viewed from the rear.
3. Parts should not be ordered from illustration only. Please order complete part number.
4. If your dealer has to order parts - give shipping instructions:

VIA truck - large pieces (please specify local truck lines)

VIA United Parcel Service (include full address)



PLEASE RECORD NUMBERS FOR YOUR UNIT FOR QUICK REFERENCE

ABOUT IMPROVEMENTS

H&S IS CONTINUALLY STRIVING TO IMPROVE ITS PRODUCTS

We must, therefore, reserve the right to make improvements or changes whenever it becomes practical to do so, without incurring any obligation to make changes or additions to the equipment previously sold.

FIGURE 1 BEATER & PAN ASSEMBLY

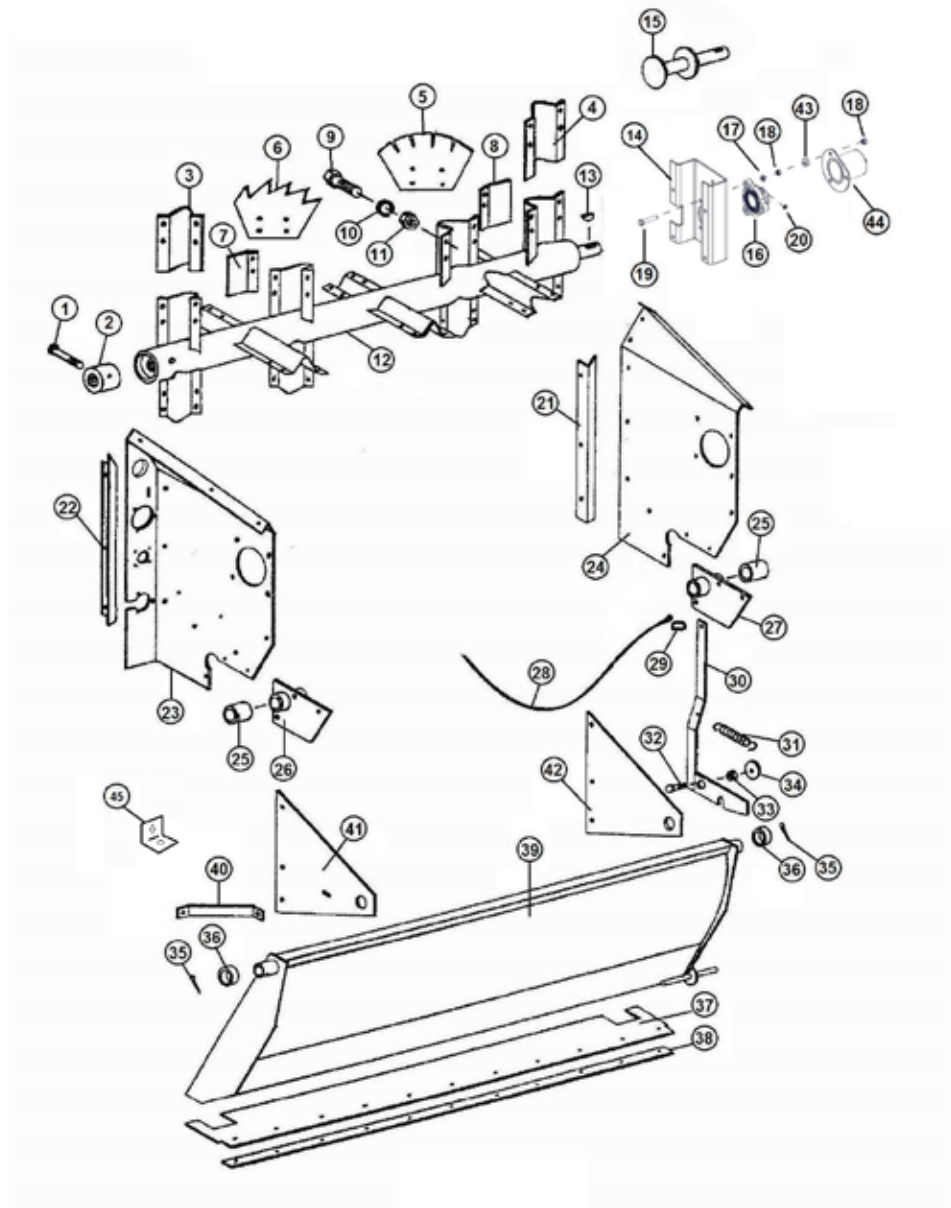


FIGURE 1

BEATER & PAN ASSEMBLY

| <u>ITEM</u> | <u>QTY</u> | <u>PART#</u> | <u>DESCRIPTION</u> |
|-------------|------------|--------------|-------------------------------|
| 1 | 1 | YBHH10130 | BOLT HEX, 5/16 X 5 G5 |
| 2 | 1 | 23N2 | SPLINED BEATER INSERT |
| 3 | 6 | 23N3 | BEATER BLADE HOLDER LH |
| 4 | 8 | 23N4 | BEATER BLADE HOLDER RH |
| 5 | 6 | 23N276 | BEATER BLADE - HARDENED |
| 6 | 8 | 23N277 | BEATER BLADE - HARDENED |
| 7 | 1 | 23N7 | BEATER BLADE WIPER LH |
| 8 | 1 | 23N8 | BEATER BLADE WIPER RH |
| 9 | 56 | YBHH16045 | BOLT HEX, 1/2 X 1-1/4 G5 |
| 10 | 56 | YWLO16005 | WASHER LOCK , 1/2 |
| 11 | 56 | YNTL16005 | NUT HEX TOP LOCK, 1/2 |
| 12 | 1 | 81161 | BEATER |
| 13 | 1 | 5B9 | WOODRUFF KEY |
| 14 | 1 | 80794 | BEATER SHAFT SUPPORT |
| 15 | 1 | 80791 | BEATER STUB SHAFT |
| 16 | 1 | 80725 | BEATER BEARING DUTY |
| 17 | 3 | YWFL12005 | WASHER, 3/8 |
| 18 | 6 | YNFG12006 | HEX NUT, 3/8 |
| 19 | 3 | YBFB12200 | BOLT, 3/8 X 2 |
| 20 | 1 | RG21 | GREASE ZERK, 45 |
| 21 | 1 | 37N1 | POLY HOLDDOWN RH SIDE |
| 22 | 1 | 75596 | POLY HOLDDOWN LH MAIN |
| 23 | 1 | 43NW3 | PANEL LH |
| 24 | 1 | 37N4 | PANEL RH |
| 25 | 2 | 23N17 | DRIVE SHAFT BUSHING |
| 26 | 1 | 37N78 | DRIVE SHAFT BRACKET LH |
| 27 | 1 | 23N19 | DRIVE SHAFT BRACKET RH |
| 28 | 1 | 37N5 | PAN TRIP ROPE |
| 29 | 1 | R31 | CLIP |
| 30 | 1 | 23N21 | PAN TRIP LEVER |
| 31 | 1 | R27 | SPRING |
| 32 | 1 | YBCR16010 | BOLT CARRIAGE, 1/2 X 1-1/2 G5 |
| 33 | 1 | 23N23 | TRIP LEVER SPACER WASHER |
| 34 | 1 | YWFL16005 | WASHER FLAT, 1/2 |
| 35 | 2 | YPCT06020 | COTTER PIN, 3/16 X 2 |
| 36 | 2 | F112 | SPACER |
| 37 | 1 | 23N24 | PAN RUBBER FLAP |
| 38 | 1 | 23N25 | PAN STRAP |
| 39 | 1 | 23N30 | PAN |
| 40 | 1 | 23N27 | PAN SUPPORT BRACE |
| 41 | 1 | 23N28 | PAN SUPPORT LH |
| 42 | 1 | 23N29 | PAN SUPPORT RH |
| 43 | 1 | 82944 | SPACER |
| 44 | 1 | 82910 | BEARING COVER |
| 45 | 1 | 23N26 | PAN BRACE |

FIGURE 2 HUB, SPINDLE & BOX PARTS

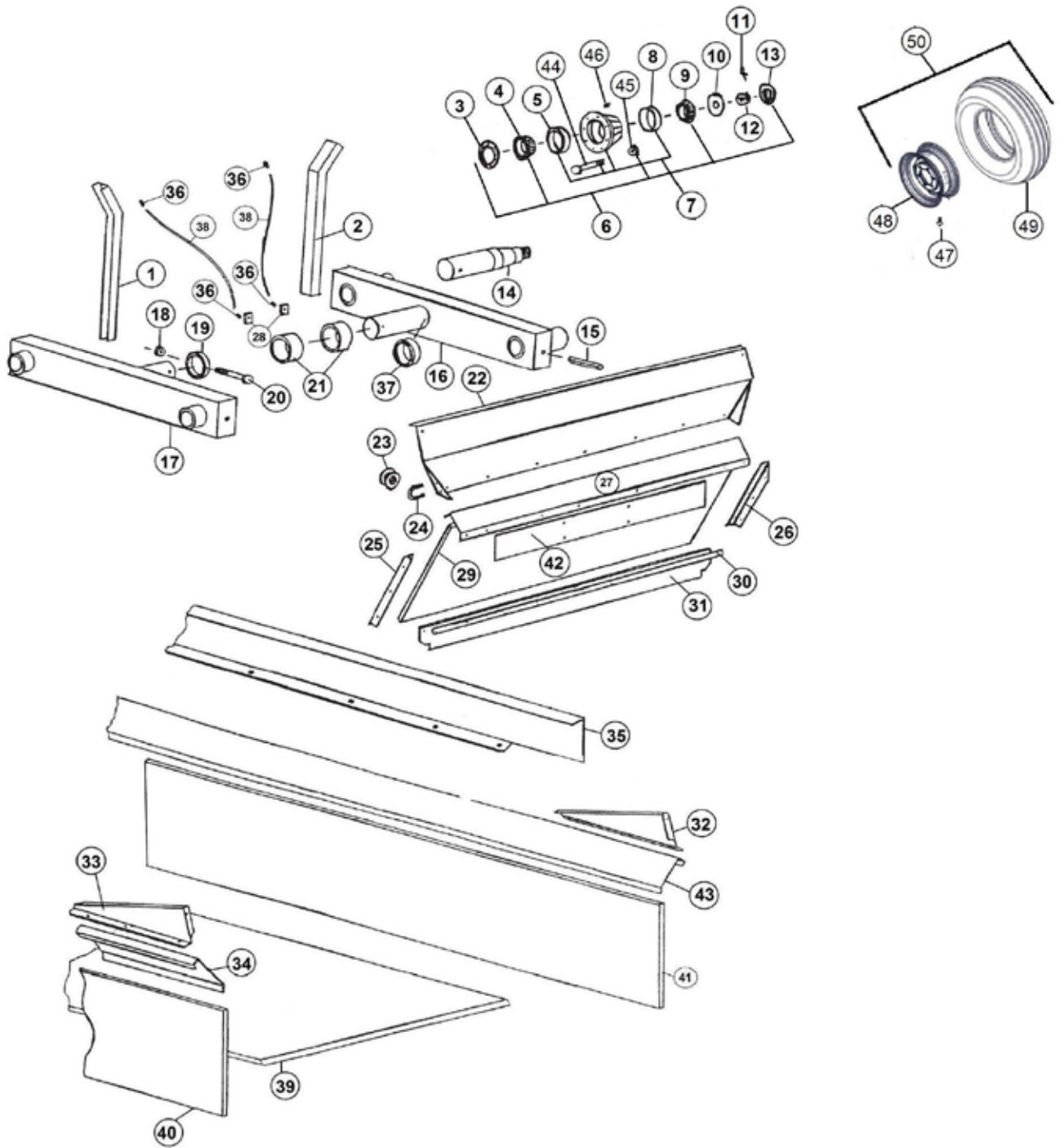


FIGURE 2

HUB, SPINDLE & BOX PARTS

| <u>ITEM</u> | <u>QTY</u> | <u>PART#</u> | <u>DESCRIPTION</u> |
|-------------|------------|--------------|--------------------------|
| 1 | 1 | 37N6 | SIDE STAKE RH |
| 2 | 1 | 37N7 | SIDE STAKE LH |
| 3 | 11 | B90 | GREASE SEAL |
| 4 | 1 | B91 | INNER BEARING |
| 5 | 1 | B91A | INNER RACE |
| 6 | 1 | 26G4A | HUB COMPLETE |
| 4 | 1 | 53403 | HUB WITH RACES OUTER |
| 8 | 1 | B94A | RACE |
| 9 | 1 | B94 | OUTER BEARING |
| 10 | 1 | YWFL28005 | WASHER FLAT, 7/8 |
| 11 | 1 | YPCT05020 | COTTER PIN, 5/32 X 1-3/4 |
| 12 | 1 | YNSL28005 | NUT HEX, SLOTTED, 7/8 |
| 13 | 1 | B2 | HUB CAP |
| 14 | 4 | 16SV203 | SPINDLE |
| 15 | 4 | YPEX16020 | EXPANSION PIN, 1/2 X 4 |
| 16 | 1 | 37N85 | TANDEM AXLE LH |
| 17 | 1 | 37N84 | TANDEM AXLE RH |
| 18 | 2 | YNL16005 | NUT HEX, TOP LOCK, 1/2 |
| 19 | 2 | 37N86 | RING |
| 20 | 2 | YBHH16150 | BOLT HEX, 1/2 X 4-3/4 G5 |
| 21 | 2 | 70150 | POLY BUSHING |
| 22 | 1 | 23N34 | FRONT FLARE |
| 23 | 1 | F33 | SIDE CABLE GUIDE |
| 24 | 1 | YBPU08005 | PIPE U BOLT, 1/4 X 3/4 |
| 25 | 1 | 37N12 | PLYWOOD ANGLE RH |

FIGURE 2 HUB, SPINDLE & BOX PARTS

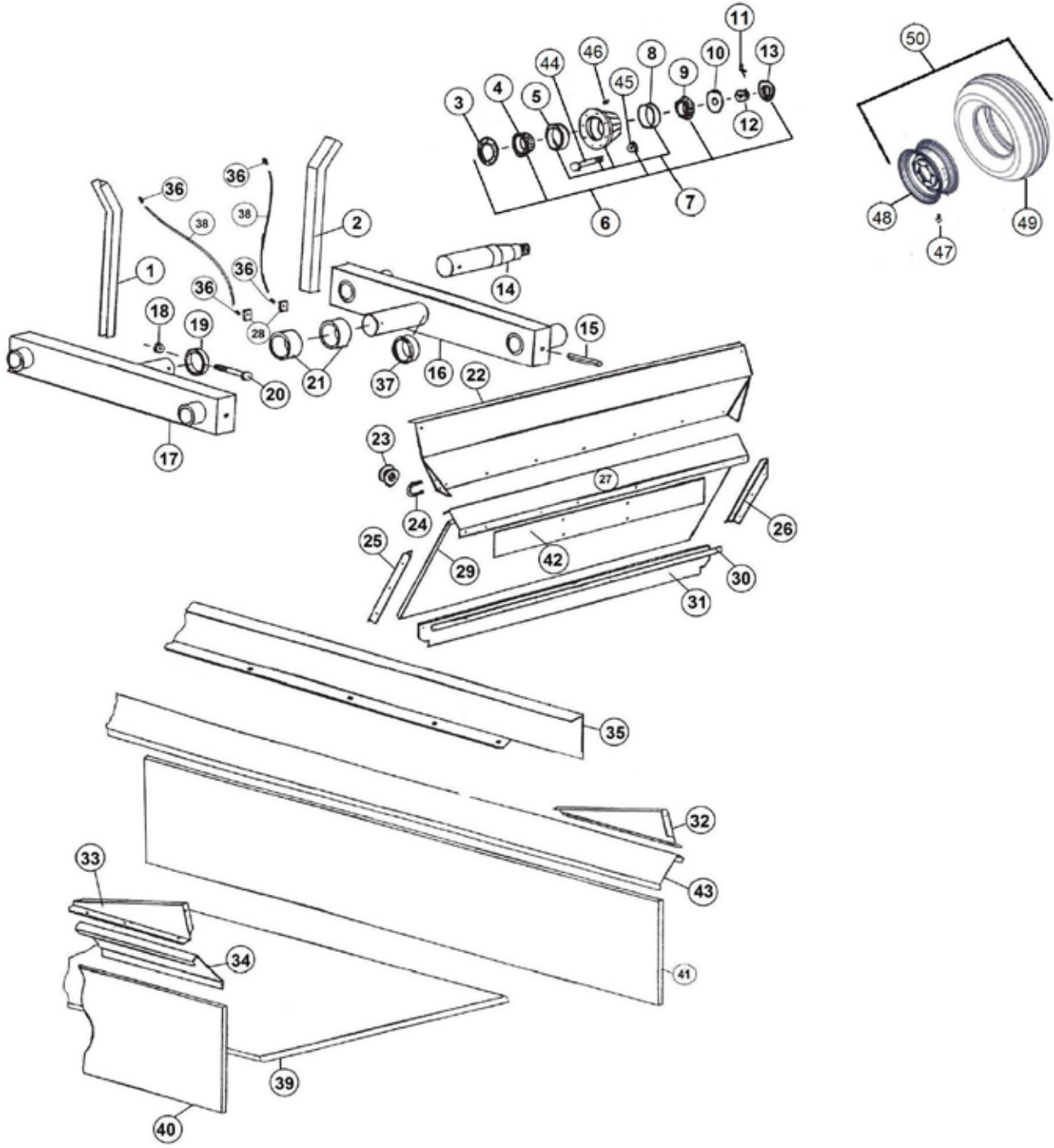


FIGURE 2

HUB, SPINDLE & BOX PARTS

| <u>ITEM</u> | <u>QTY</u> | <u>PART#</u> | <u>DESCRIPTION</u> |
|-------------|------------|--------------|------------------------------------|
| 26 | 1 | 37N13 | PLYWOOD ANGLE LH |
| 27 | 1 | 23N176 | FRONT END BRACE |
| 28 | 2 | 16V9 | GREASE ZERK BRACKET |
| 29 | 1 | 37N65A | FRONT GATE PLYWOOD W/FIBERGLASS |
| 30 | 1 | 23N40 | STRAP FOR RUBBER |
| 31 | 1 | 23N41 | FRONT GATE RUBBER |
| 32 | 1 | 23N42 | SPLASH GUARD LH |
| 33 | 1 | 23N43 | SPLASH GUARD RH |
| 34 | 1 | 43N3 | SIDE FLARE RH |
| 35 | 1 | 43N1 | SIDE EXTENSION LH |
| 36 | 4 | S47 | GREASE LINE FITTING |
| 37 | 2 | 70162 | POLY BUSHING |
| 38 | 2 | 31N43 | GREASE LINE |
| 39 | 1 | 37N81 | SOLID POLY FLOOR |
| 40 | 1 | 37N67A | BONDED POLY/PLYWOOD SIDE RH |
| 41 | 1 | 37N68A | BONDED POLY/PLYWOOD SIDE LH |
| 42 | 1 | 37N51 | FRONT PANEL |
| 43 | 1 | 43N4 | SIDE FLARE LH |
| 44 | 8 | YBSD20010 | BOLT STUD, 5/8 X 2-1/2 X 7/8 G8 |
| 45 | 8 | YNWL20005 | NUT WHEEL, 5/8 G5 |
| 46 | 2 | BFR28 | GREASE ZERK, 1/8 NPT |
| 47 | 2 | 72436 | VALVE STEM 1-1/2 RUBBER |
| 48 | 2 | 12V36 | WHEEL 16.1 X 14 8 BOLT (OFF-WHITE) |
| 49 | 2 | UR5 | 16.5 X 16.1 10 PLY IMPL TIRES |
| 50 | 2 | 32353 | 16.5 X 16.1 ON 14 X 16.1, 8-BOLT |

FIGURE 3 FRONT SHIELD & DRIVE ASSEMBLY

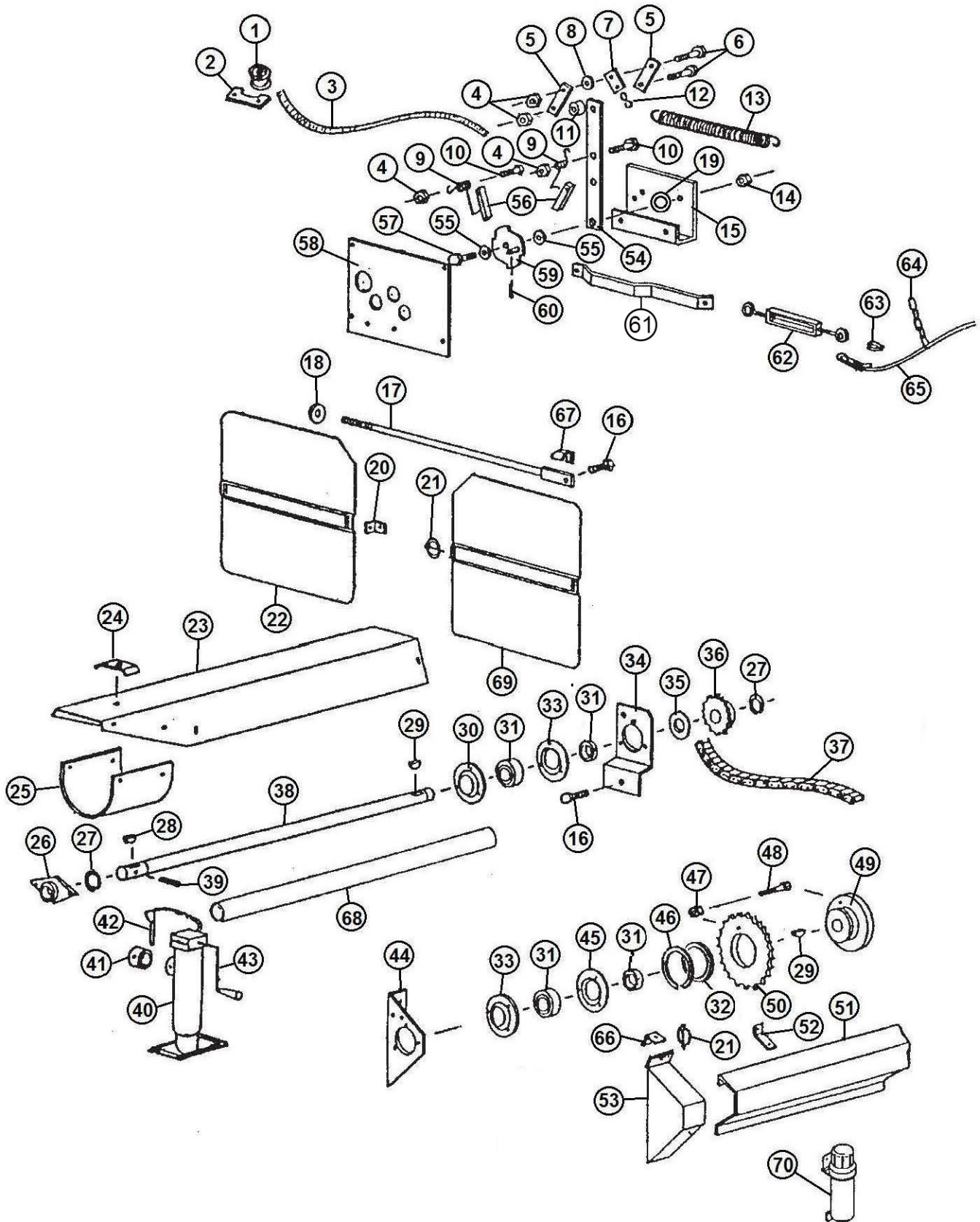


FIGURE 3

FRONT SHIELD & DRIVE ASSEMBLY

| <u>ITEM</u> | <u>QTY</u> | <u>PART#</u> | <u>DESCRIPTION</u> |
|-------------|------------|--------------|----------------------------|
| 1 | 1 | F33 | CABLE |
| 2 | 1 | 23N182 | GUIDE BRACKET |
| 3 | 1 | 77192 | ROPE (15) |
| 4 | 4 | YNTH12005 | NUT HEX, TOP LOCK, 3/8 |
| 5 | 2 | 23N184 | BRACKET |
| 6 | 2 | YBHH12035 | BOLT HEX, 3/8 X 1-1/4 G5 |
| 7 | 1 | 23N185 | SPRING BRACKET |
| 8 | 1 | YWFL12005 | WASHER FLAT, 3/8 |
| 9 | 2 | 23N186 | DOG SPRING |
| 10 | 1 | YBHH12010 | BOLT HEX, 3/8 X 1 G5 |
| 11 | 1 | D107 | SHIELD SPACER |
| 12 | 1 | X79 | S-HOOK |
| 13 | 1 | 23N187 | SPRING |
| 14 | 1 | YNHX16005 | NUT HEX , 1/2 |
| 15 | 1 | 23N188 | SHIFTER BRACKET |
| 16 | 2 | YBHH16045 | BOLT HEX, 1/2 X 1-1/4 G5 |
| 17 | 1 | 23N63 | TIGHTENER ROD |
| 18 | 1 | F129 | WASHER |
| 19 | 1 | 31N51 | SHIFTER SPACER WASHER |
| 20 | 1 | F92 | SHIELD BRACKET |
| 21 | 2 | S122 | LYNCH PIN W/LANDYARD |
| 22 | 1 | 23N305 | FRONT SHIELD |
| 23 | 1 | 23N66 | SHIELD |
| 24 | 1 | 23N67 | HOSE BRACKET |
| * | 1 | HE42 | HYDRAULIC DRIVE BRACKET |
| 25 | 1 | F54 | SHIELD |
| 26 | 1 | 12N29 | BEARING |
| 27 | 2 | F73 | SNAP RING |
| 28 | 1 | 5B10 | KEY, 1/4 X 1 |
| 29 | 1 | 5B9 | KEY, 3/8 X 1-1/4 |
| 30 | 1 | F114 | FLANGE 1-1/4 STRAIGHT ZERK |
| 31 | 4 | 12N122 | BEARING W/LOCK COLLAR |
| 32 | 1 | C112G01 | SHEAR HUB SPACER |
| 33 | 2 | F14 | FLANGE |
| 34 | 1 | 23N68 | FRONT ADJUSTMENT PLATE |
| 35 | 1 | 23N69 | SPACER |

***MEANS NOT SHOWN**

FIGURE 3 FRONT SHIELD & DRIVE ASSEMBLY

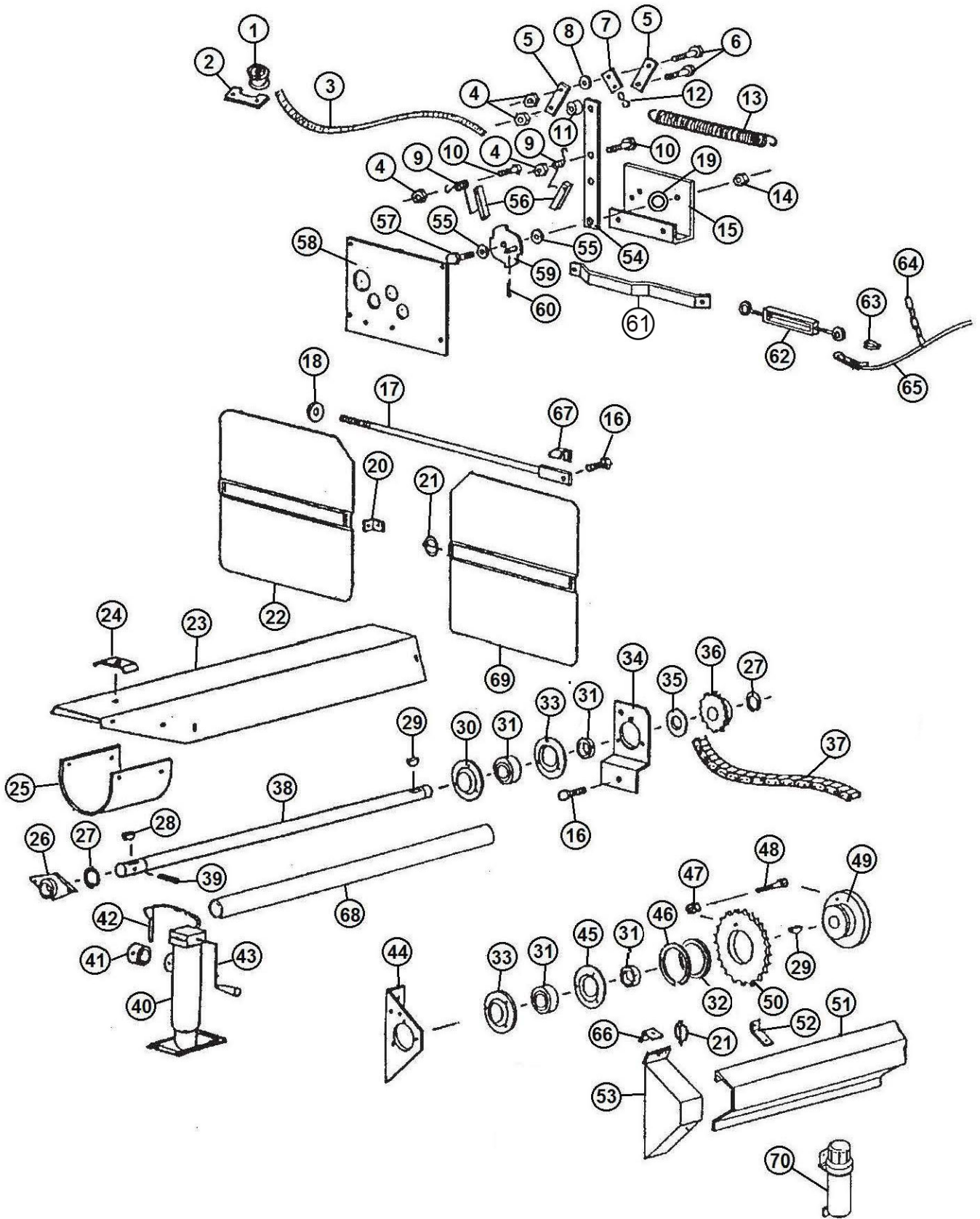


FIGURE 3

FRONT SHIELD & DRIVE ASSEMBLY

| <u>ITEM</u> | <u>QTY</u> | <u>PART#</u> | <u>DESCRIPTION</u> |
|-------------|------------|--------------|------------------------------------|
| 36 | 1 | 23N70 | SPROCKET (25T) |
| * | 1 | 37N72 | SPROCKET (16T) (OPTIONAL 1000 RPM) |
| 37 | 1 | 23N71 | ROLLER CHAIN (#60, 122P) |
| 38 | 1 | 23N72 | FRONT SHAFT |
| 39 | 1 | YPEX10020 | EXPANSION PIN, 5/16 X 2-1/4 |
| 40 | 1 | 27N49 | JACK |
| * | 1 | 12N120 | JACK GEAR REPAIR KIT |
| 41 | 1 | 27N51 | JACK MOUNT |
| 42 | 1 | 27N50 | JACK PIN |
| 43 | 1 | 12N119 | HANDLE |
| * | 1 | 12N118 | REPLACEMENT BEARING |
| 44 | 1 | 23N74 | BEARING PLATE |
| 45 | 1 | F114A | FLANGE |
| 46 | 1 | 23N189 | SNAP RING |
| 47 | 1 | YNTL12005 | NUT HEX, TOP LOCK, 3/8 |
| 48 | 1 | YBHH12025 | BOLT HEX, 3/8 X 1-1/2 G5 |
| 49 | 1 | 45N71 | SHEAR HUB |
| 50 | 1 | C1MS01 | SPROCKET (60T A 30T) |
| 51 | 1 | 37N27 | SIDE SHIELD |
| 52 | 1 | 23N79 | BRACKET |
| 53 | 1 | 23N80 | SHIELD |
| 54 | 1 | 23N192 | FRONT SHIFTER ARM |
| 55 | 2 | YWFL16005 | WASHER FLAT ,1/2 |
| 56 | 2 | 23N193 | DOG |
| 57 | 1 | YBHH16055 | BOLT HEX, 1/2 X 1-3/4 G5 |
| 58 | 1 | 23N195 | SHIFTER PANEL |
| 59 | 1 | 23N196 | SPEED SELECTOR |
| 60 | 1 | YPCT04005 | COTTER PIN, 1/8 X 1 |
| 61 | 1 | 23N197 | SHIFTER ARM |
| 62 | 1 | F84 | TURNBUCKLE |
| 63 | 1 | ES14 | THIMBLE |
| 64 | 1 | 37N64 | CABLE CHAIN |
| 65 | 11 | 37N53 | CABLE |
| 66 | 1 | F92 | SHIELD BRACKET |
| 67 | 1 | 23N278 | SPACER |
| 68 | 1 | 37N74 | FRONT SHAFT GUARD |
| 69 | 1 | 23N30 | FRONT SHIELD LH |
| 70 | 1 | S522 | MANUAL HOLDER |

*MEANS NOT SHOWN

FIGURE 4 BACK SHIELDS & DRIVE ASSEMBLY

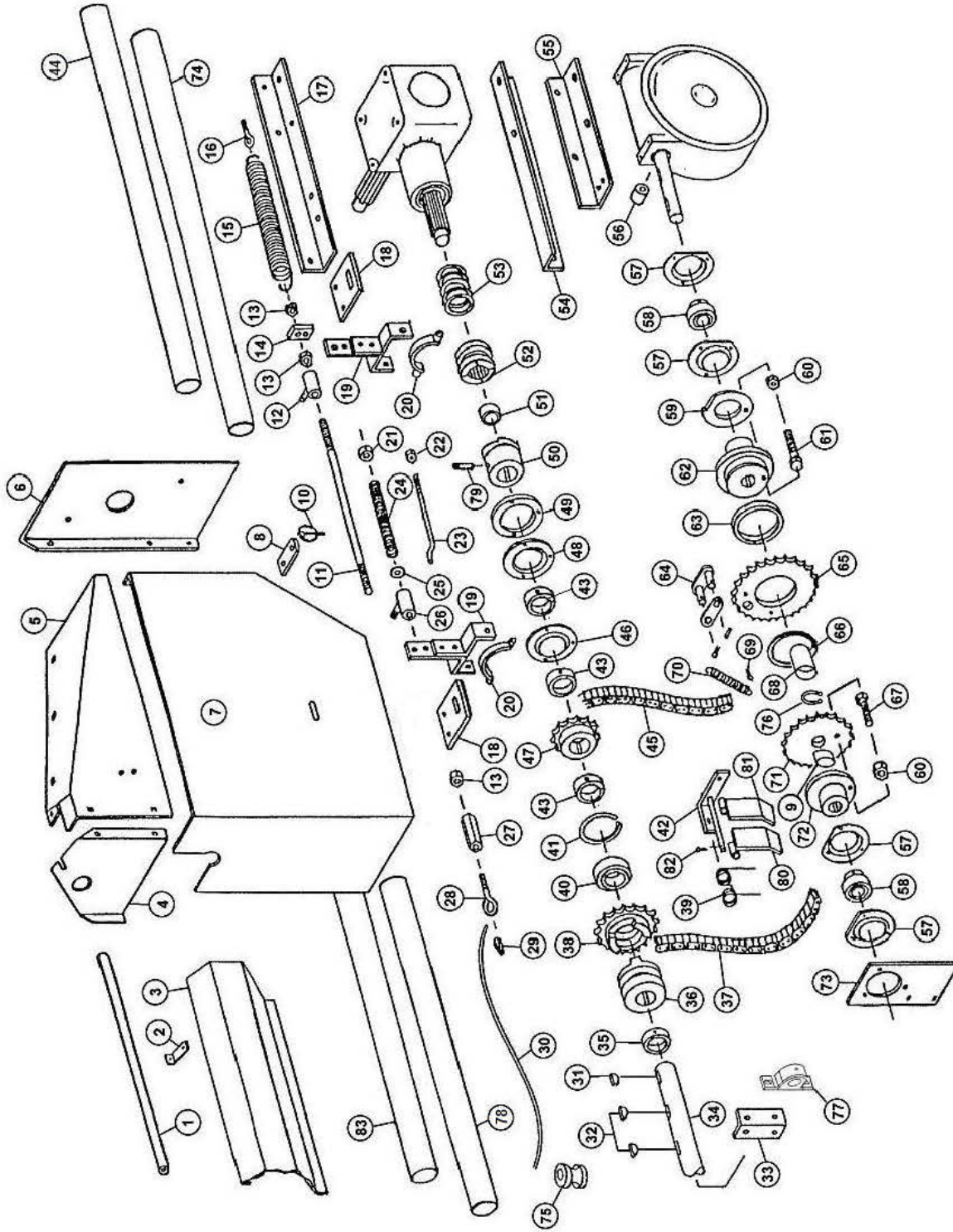


FIGURE 4

BACK SHIELDS & DRIVE ASSEMBLY

| <u>ITEM</u> | <u>QTY</u> | <u>PART#</u> | <u>DESCRIPTION</u> |
|-------------|------------|--------------|-------------------------------|
| 1 | 1 | 23N200 | CABLE GUARD |
| 2 | 1 | 23N79 | SIDE SHIELD BRACKET |
| 3 | 1 | 37N54 | SIDE SHIELD |
| 4 | 1 | 37N55 | SHIELD |
| 5 | 1 | 37N56 | BACK SHIELD TOP |
| 6 | 1 | 37N57 | BACK SHIELD |
| 7 | 1 | 23N204 | COVER |
| 8 | 1 | 23N96 | SHIELD BRACKET |
| 9 | 1 | 56027 | BUSHING |
| 10 | 1 | S122 | LYNCH PIN /W LANDYARD |
| 11 | 1 | 23N205 | CLUTCH ROD |
| 12 | 1 | 23N206 | SHIFTING ROD BRACKET |
| 13 | 3 | YNHX12005 | NUT HEX, 3/8 |
| 14 | 1 | 23N207 | SPRING BRACKET |
| 15 | 1 | K103 | SPRING |
| 16 | 1 | YBTE08005 | TURNED EYE BOLT, 1/4 X 1 FULL |
| 17 | 1 | 23N85 | TOP ANGLE |
| 18 | 2 | 23N86 | SHIFTER BRACKET |
| 19 | 2 | D57 | SHIFTER LEVER |
| 20 | 2 | 23N208 | YOKE W/ ZERK |
| 21 | 1 | 23N209 | COLLAR |
| 22 | 1 | YNTL08005 | NUT HEX, TOP LOCK, 1/4 |
| 23 | 1 | 23N210 | SHIFTING ROD |
| 24 | 1 | 23N211 | SPRING BRACKET |
| 25 | 1 | YWFL12005 | WASHER FLAT, 3/8 |
| 26 | 1 | 23N206 | ROD BRACKET |
| 27 | 1 | YNCO12005 | NUT HEX COUPLING, 3/8 X 1-1/8 |
| 28 | 1 | YBTE12005 | TURNED EYE BOLT, 3/8 X 1 |
| 29 | 1 | ES14 | CABLE LOOP |
| 30 | 1 | 37N53 | CABLE |
| 31 | 1 | 5B9 | WOODRUFF KEY, 3/8 X 1-1/4 |
| 32 | 2 | 5B10 | WOODRUFF KEY, 1/4 X 1 |
| 33 | 1 | 23N97 | SIDE BEARING BRACKET |
| 34 | 1 | 37N58 | SIDE SHAFT |
| 35 | 1 | F6 | COLLAR |
| 36 | 1 | 23N215 | THROW-OUT CLUTCH |
| 37 | 1 | 23N93 | CHAIN (#50, 60P) |
| 38 | 1 | 23N216 | CLUTCH SPROCKET |
| * | 1 | 61138 | CLUTCH SPROCKET |
| 39 | 2 | 31N33 | COMPLETE SPRING TIGHTENER |
| 40 | 1 | BFR525 | BEARING |
| 41 | 1 | 3G19 | SNAP RING |
| 42 | 1 | 31N36 | TIGHTENER BRACKET |

***MEANS NOT SHOWN**

FIGURE 4 BACK SHIELDS & DRIVE ASSEMBLY

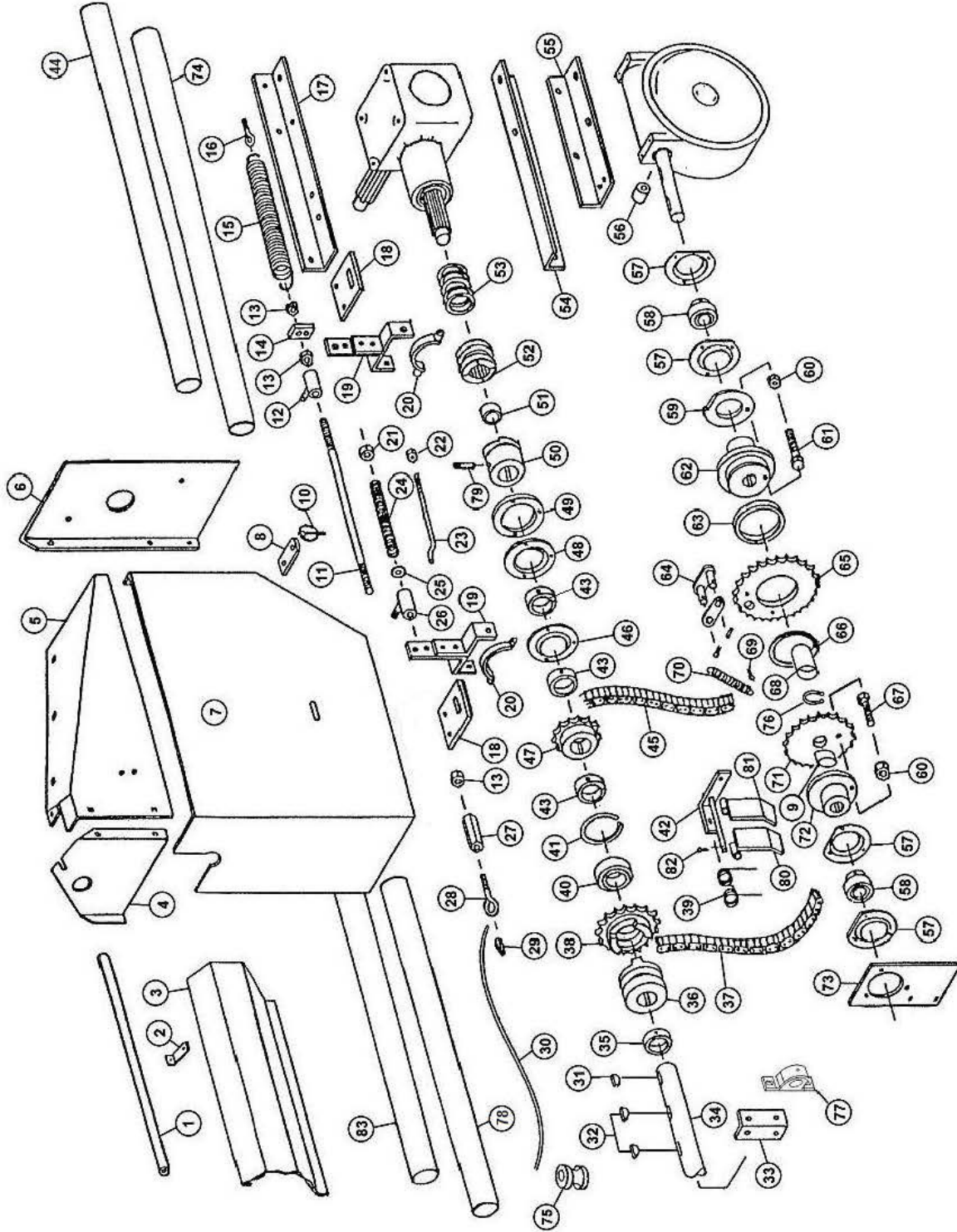


FIGURE 4

BACK SHIELDS & DRIVE ASSEMBLY

| <u>ITEM</u> | <u>QTY</u> | <u>PART#</u> | <u>DESCRIPTION</u> |
|-------------|------------|--------------|--|
| 43 | 3 | 12N122 | BEARING W/LOCK COLLAR 1-1/4 |
| 44 | 1 | 37N76 | #4 SIDE SHAFT GUARD |
| 45 | 1 | 23N93 | CHAIN (#50 60P) |
| 46 | 1 | F114A | FLANGE |
| 47 | 1 | 10R11 | SPROCKET (13T) |
| 48 | 1 | F14 | FLANGE |
| 49 | 1 | 23N174 | FLANGE SPACER |
| 50 | 1 | 23N241 | CLUTCH |
| 51 | 1 | D68 | BRONZE BUSHING |
| 52 | 1 | 23N90 | CLUTCH |
| 53 | 1 | 23N89 | SPRING |
| 54 | 1 | 23N88 | BOTTOM ANGLE |
| 55 | 1 | 23N95 | WORM BOX HOLDER |
| 56 | 1 | 23N94 | SPACER |
| 57 | 2 | X85 | FLANGE |
| 58 | 2 | 23N221 | BEARING W/SETSCREWS |
| 59 | 1 | 23N222 | SHEAR PLATE |
| 60 | 2 | YNTL08005 | HEX NUT, TOP LOCK 1/4 |
| 61 | 1 | YBHH08035 | BOLT HEX 1/4 X 1-1/4 G5 |
| 62 | 1 | 23N224 | SHEAR HUB |
| 63 | 1 | 23N225 | BRONZE BUSHING |
| 64 | 1 | 60531 | CONNECTOR LINK W/ PINS |
| * | 1 | 74381 | SPROCKET (50T A 30T) |
| 65 | 1 | 23N226 | SPROCKET W/BUSHING (50T A 30T) |
| 66 | 1 | 23N227 | SNAP RING |
| 67 | 1 | YBHH08035 | BOLT HEX 1/4 X 1-1/4 G5 |
| 68 | 1 | 56029 | SPACER |
| 69 | 1 | YPCT04005 | COTTER PIN, 1/8 X 1 |
| 70 | 1 | 23N229 | DOG SPRING |
| 71 | 1 | 56026 | SPROCKET (25T) |
| 72 | 1 | 56025 | SHEAR HUB |
| 73 | 1 | 23N230 | BEARING PANEL |
| 74 | 1 | 37N77 | #3 SIDE SHAFT GUARD |
| 75 | 1 | F33 | CABLE GUIDE |
| 76 | 1 | 56024 | EXTERNAL SNAP RING, 1-1/2 |
| 77 | 1 | 12N36 | PILLOW BLOCK BEARING |
| 78 | 1 | 37N75 | #1 SIDE SHAFT GUARD |
| 79 | 1 | YSFD12005 | SCREW SOCKET HEAD, 3/8 X 3/4 |
| 80 | 1 | 31N34 | TIGHTENER BAR LH |
| 81 | 1 | 31N35 | TIGHTENER BAR RH |
| 82 | 1 | YPCT04005 | COTTER PIN, 1/8 X 1 |
| * | 1 | X60 | OFFSET LINK #50 |
| * | 1 | X61 | CONNECTOR LINK #50 |
| * | 1 | 31N38 | CHAIN TIGHTENER ASSEMBLY |
| 83 | 1 | 37N76 | #2 SIDE SHAFT GUARD |
| * | 1 | 56036 | SPROCKET BUSHING ASSEMBLY (INCLUDES ITEM 71 & 9) |

*MEANS NOT SHOWN

FIGURE 5
HYDRAULIC ENDGATE ASSEMBLY

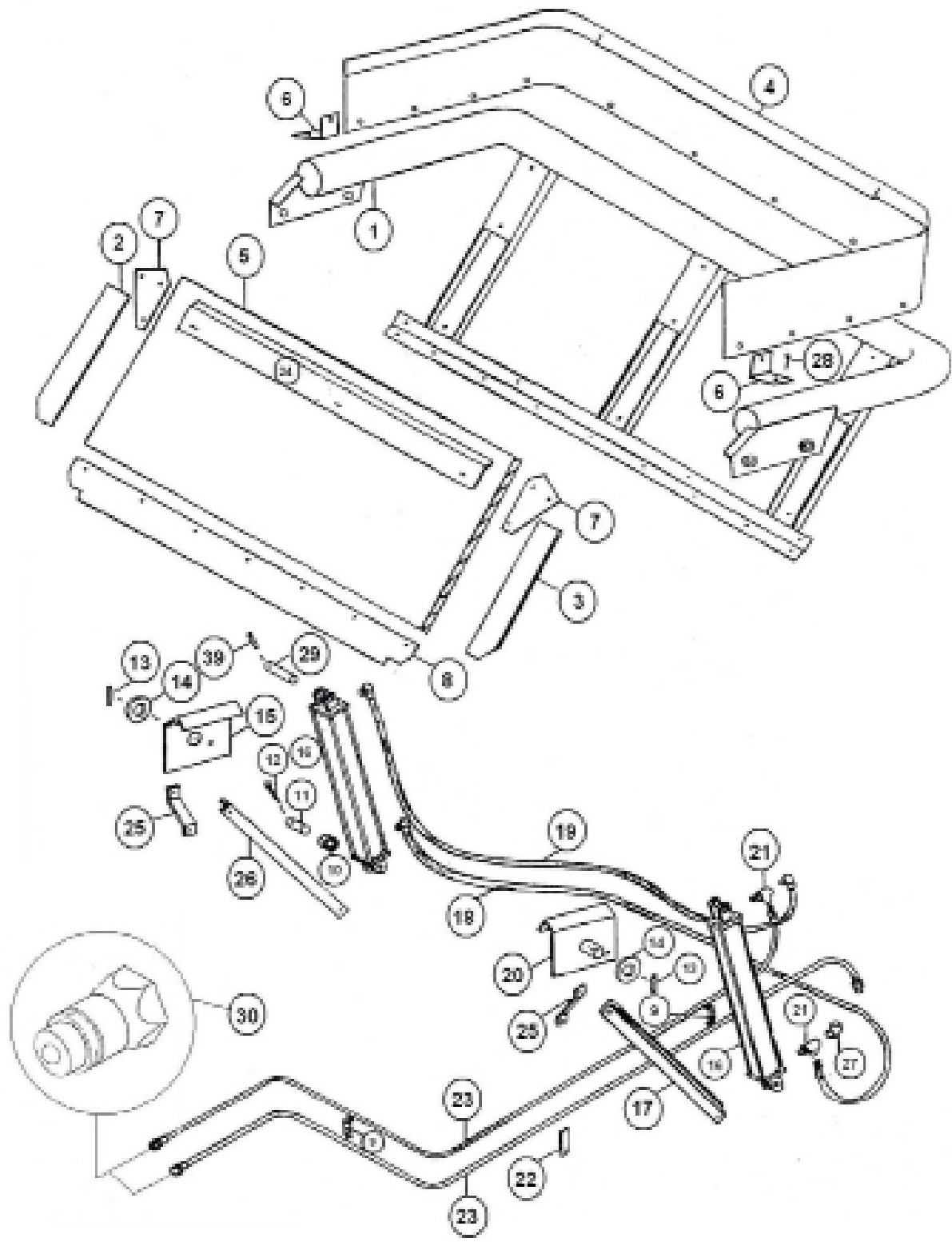


FIGURE 5

HYDRAULIC ENDGATE ASSEMBLY

| <u>ITEM</u> | <u>QTY</u> | <u>PART#</u> | <u>DESCRIPTION</u> |
|-------------|------------|--------------|-------------------------------|
| 1 | 1 | 37N34 | TAILGATE FRAME |
| 2 | 1 | 37N35 | SIDE RUBBER RH |
| 3 | 1 | 37N36 | SIDE RUBBER LH |
| 4 | 1 | 43N5 | BACK EXTENSION |
| 5 | 1 | 37N69A | TAILGATE PLYWOOD W/FIBERGLASS |
| 6 | 1 | 43N6 | EXTENSION ANGLE |
| 7 | 2 | 23N104 | TAILGATE CORNER |
| 8 | 1 | 23N105 | BOTTOM RUBBER |
| 9 | 2 | 23N67 | HOSE BRACKET |
| 10 | 1 | K132 | SPACER |
| 11 | 1 | 23N107 | CYLINDER PIN |
| 12 | 1 | YPCT07005 | COTTER PIN, 7/32 X 2 |
| 13 | 2 | YPEX10015 | EXPANSION PIN, 5/16 X 1-3/4 |
| 14 | 2 | 23N109 | SPACER |
| 15 | 1 | 23N110 | TAILGATE MOUNT RH |
| 16 | 1 | 56015 | HYDRAULIC CYLINDER |
| 17 | 1 | 37N59 | TAILGATE BRACE LH |
| 18 | 2 | 37N60 | HYD HOSE, 108 |
| 19 | 1 | 37N61 | HYD HOSE, 152 |
| 20 | 1 | 23N115 | TAILGATE MOUNT LH |
| 21 | 2 | 23N116 | TEE, 3/8 |
| 22 | 1 | 23N117 | HOSE HOLDER |
| 23 | 2 | 37N83 | HYD HOSE, 6 X 328 |
| 24 | 1 | 23N163 | TAILGATE POLY HOLD DOWN |
| 25 | 2 | 23N232 | TAILGATE BRACKET BRACE |
| 26 | 1 | 37N62 | TAILGATE BRACKET BRACE |
| 27 | 1 | 23N234 | FITTING, 90, 3/8NPT |
| 28 | 1 | 12V3 | SELF TAPPING BOLT |
| 29 | 1 | 23N107 | CYLINDER PIN |
| 30 | 2 | DWM205 | MALE QUICK COUPLER |

***MEANS NOT SHOWN**

FIGURE 6 APRON CHAIN ASSEMBLY

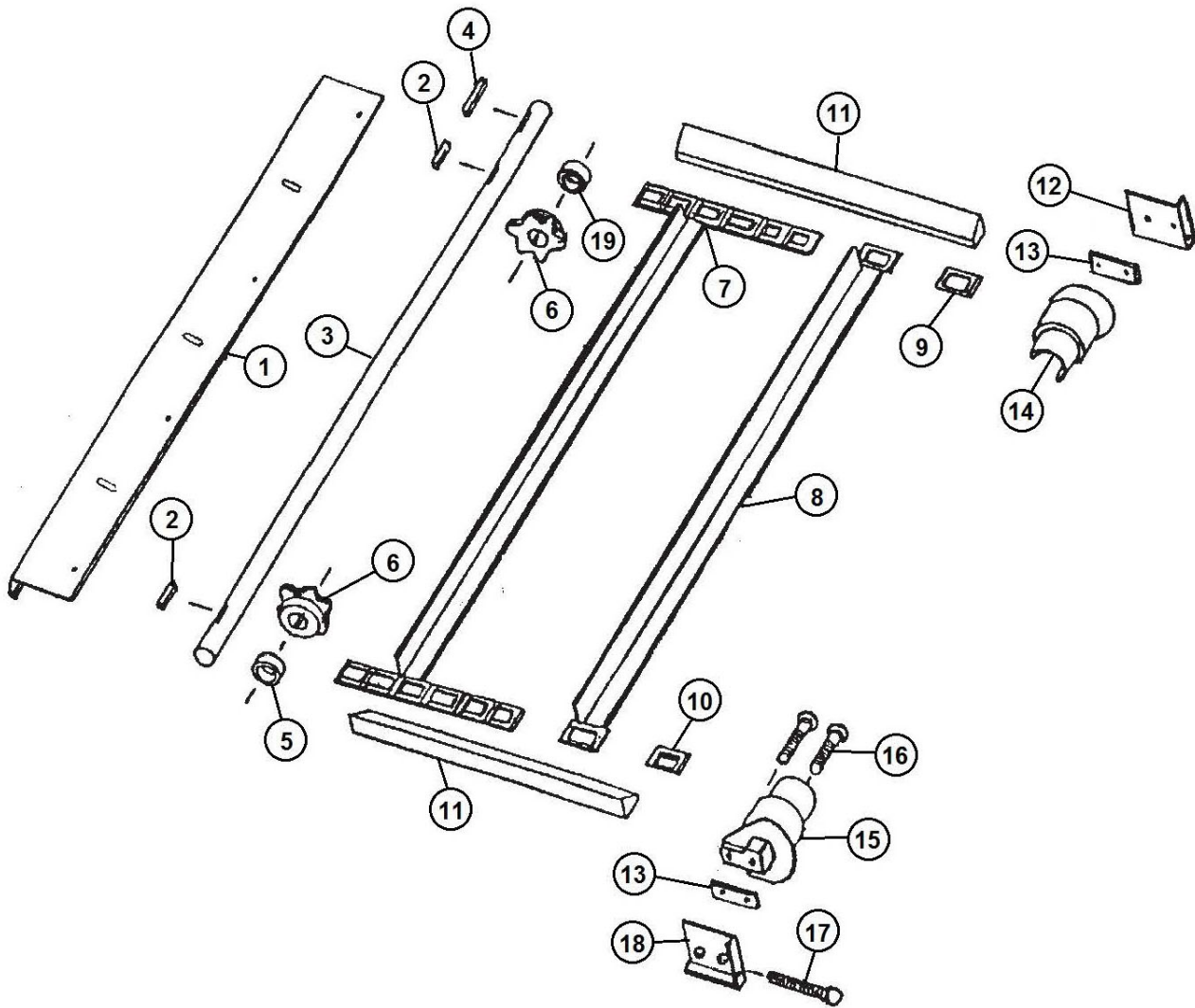


FIGURE 6

APRON CHAIN ASSEMBLY

| <u>ITEM</u> | <u>QTY</u> | <u>PART#</u> | <u>DESCRIPTION</u> |
|-------------|------------|--------------|-----------------------------------|
| 1 | 1 | 37N82 | DRIVE SHAFT SHIELD |
| 2 | 2 | 23N303 | SQUARE KEY, 3/8 X 1-3/4 |
| 3 | 1 | 27N19 | DRIVE SHAFT |
| 4 | 1 | S138 | SQ. KEY W/ROUND ENDS, 3/8 X 2-3/8 |
| 5 | 1 | 23N121 | SPACER, 5/8 |
| 6 | 2 | 23N122 | DRIVE SPROCKET (6T) |
| 7 | 1 | 37N42 | APRON CHAIN 28 SLATS, 280 LINKS |
| 8 | 1 | 23N124 | SLAT W/ATTACHMENT LINKS |
| 9 | 1 | S55 | T-ROD STANDARD LINK |
| 10 | 1 | S55 | T-ROD STANDARD LINK |
| 11 | 2 | 37N43 | APRON CHAIN SIDE SPACERS |
| 12 | 1 | A30 | CHAIN SLIDE PLATE LH |
| 13 | 2 | 23N126 | CHAIN SLIDE SPACER |
| 14 | 1 | 23N127 | T-ROD SLIDE LH |
| 15 | 1 | 23N128 | T-ROD SLIDE RH |
| 16 | 2 | YBCR16045 | BOLT CARRIAGE, 1/2 X 4 G5 |
| 17 | 1 | YBHH16145 | BOLT HEX, 1/2 X 4-1/2 G5 |
| 18 | 1 | A29 | CHAIN SLIDE PLATE RH |
| 19 | 1 | 23N266 | SPACER, 5/16 |

FIGURE 7 OPTIONAL HYDRAULIC DRIVE ASSEMBLY

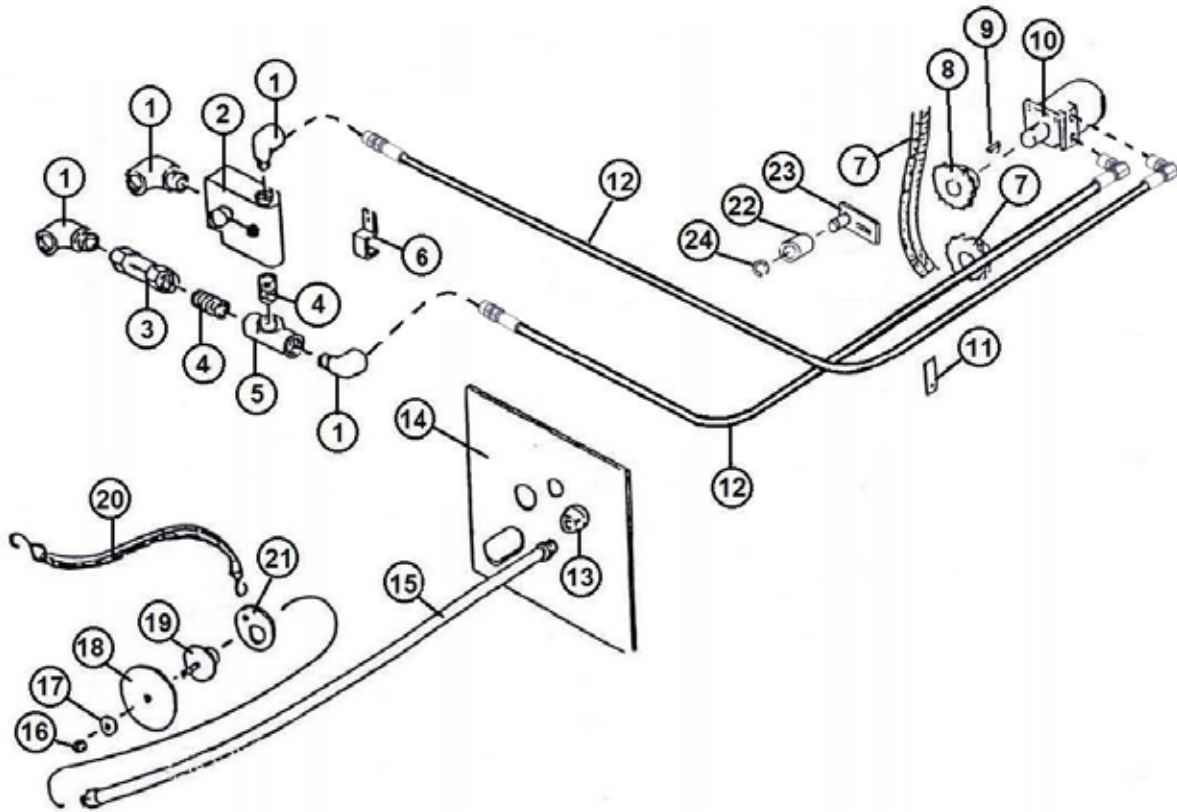


FIGURE 7

OPTIONAL HYDRAULIC DRIVE ASSEMBLY

| <u>ITEM</u> | <u>QTY</u> | <u>PART#</u> | <u>DESCRIPTION</u> |
|-------------|------------|--------------|-----------------------------------|
| 1 | 4 | HE58 | FIT 90, 1/2NPT X 1/2NPT |
| 2 | 1 | DF15A | SPEED CONTROL |
| 3 | 1 | DF18 | CHECK VALVE |
| 4 | 2 | DF7 | FIT STRAIGHT, 1/2NPT X 1/2NPT |
| 5 | 1 | DF8 | FIT TEE, 1/2NPT X 1/2NPT X 1/2NPT |
| 6 | 1 | HE14 | PIPE BRACKET |
| 7 | 1 | 23N131 | ROLLAR CHAIN, (#50, 40 PITCHES) |
| 8 | 1 | 11S19 | SINGLE SPROCKET (20T) |
| 9 | 1 | 5B10 | WOODRUFF KEY |
| 10 | 1 | DF1 | HYD MOTOR |
| 11 | 1 | 23N117 | HOSE HOLDER |
| 12 | 2 | 77330 | HYDRAULIC HOSE, 224 |
| 13 | 1 | DF21 | REDUCER |
| 14 | 1 | 23N133 | CONTROL PANEL |
| 15 | 1 | DF9 | HYDRAULIC HOSE, 72 |
| 16 | 1 | YNTL12005 | NUT HEX, 3/8 |
| 17 | 1 | DF12 | SPACER |
| 18 | 1 | DF11 | CONTROL HANDLE |
| 19 | 1 | DF10 | HANDLE BRACKET |
| 20 | 1 | DF14 | STRAP |
| 21 | 1 | DF22 | RING FOR STRAP |
| 22 | 1 | 23N238 | CHAIN TIGHTENER ROLLER |
| 23 | 1 | L10R35 | CHAIN TIGHTENER |
| 24 | 1 | 10R32 | SNAP RING |

FIGURE 8
WORM GEARBOX ASSEMBLY

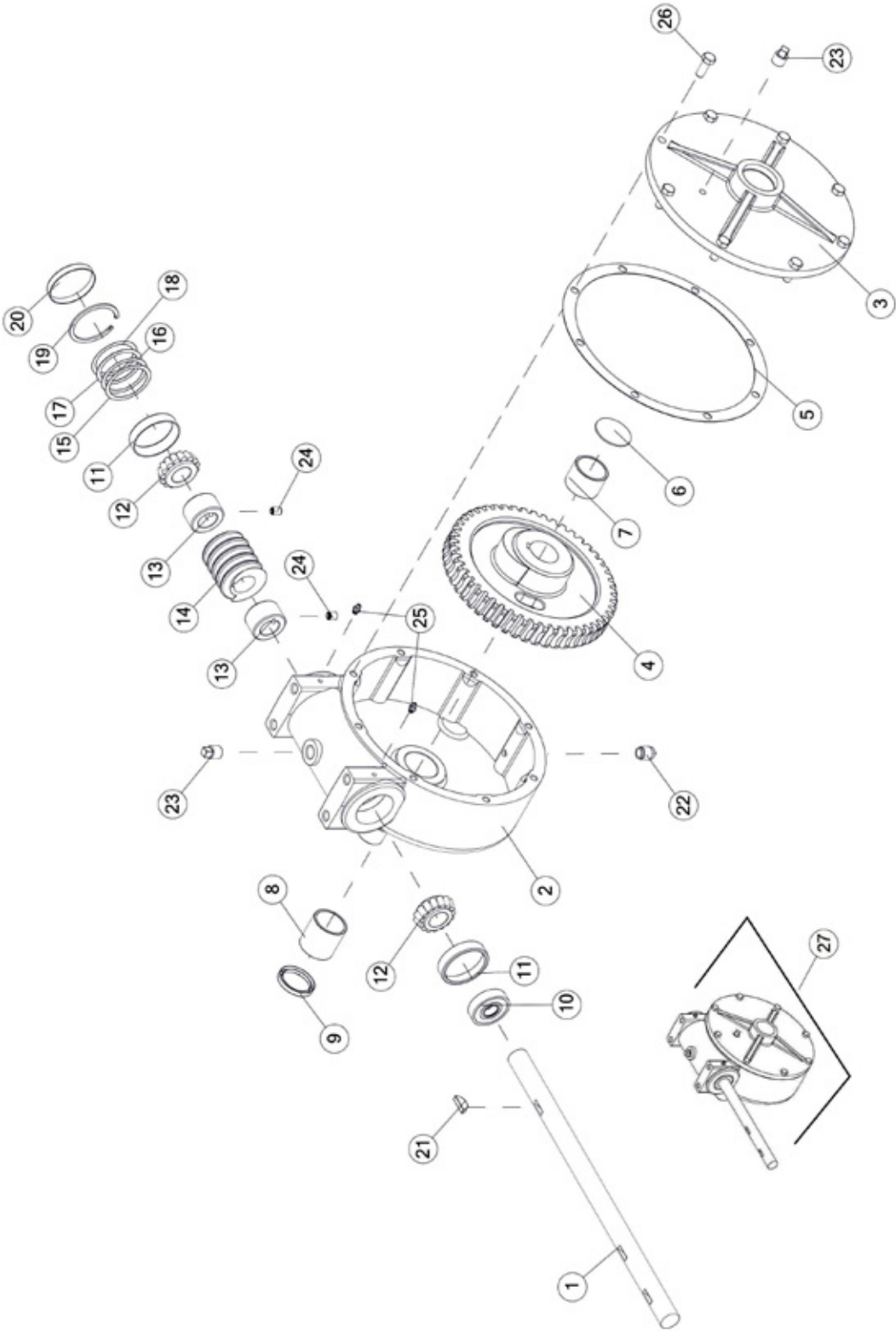


FIGURE 8

WORM GEARBOX ASSEMBLY

| <u>ITEM</u> | <u>QTY</u> | <u>PART#</u> | <u>DESCRIPTION</u> |
|-------------|------------|--------------|---|
| 1 | 1 | 23N236 | WORM GEAR SHAFT |
| 2 | 1 | G114 | GEAR BOX HOUSING |
| 3 | 1 | G116 | WORM GEAR BOX COVER |
| 4 | 1 | G77 | WORM GEAR ASSEMBLY |
| 5 | 1 | G88 | GASKET |
| 6 | 1 | G117 | FROST PLUG, 1-7/8 |
| 7 | 1 | X75 | BEARING OIL 1-1/2 X 1-3/4 X 1/4 |
| 8 | 1 | X8 | BUSHING, 1-3/4 OD X 1-1/2 ID X 1-3/4 LONG |
| 9 | 1 | 17G133 | SEAL |
| 10 | 1 | G123 | OIL SEAL |
| 11 | 2 | 12N19 | INNER RACE |
| 12 | 2 | 3G7 | TAPER BEARING |
| 13 | 2 | X9 | SPACER |
| 14 | 1 | G76 | WORM |
| 15 | 1 | G92 | SHIM |
| 16 | 1 | 59249 | SHIM |
| 17 | 1 | 59250 | SHIM |
| 18 | 1 | 58748 | SHIM |
| 19 | 1 | 3G19 | SNAP RING INTERNAL |
| 20 | 1 | G90 | CAP |
| 21 | 1 | 5B10 | WOODRUFF KEY, 1/4 X 1 |
| 22 | 1 | 3G20 | PLASTIC PIPE PLUG, 3/8 |
| 23 | 2 | G65 | PLUG PIPE, 3/8 NPT |
| 24 | 1 | YSKP12010 | SCREW SOCKET HEAD, 3/8 X 1/2 |
| 25 | 2 | G89 | STRAIGHT ZERK, 1/4 |
| 26 | 8 | YBHH12010 | BOLT HEX, 3/8 X 1 G5 |
| 27 | 1 | G122 | WORM GEAR BOX |

***MEANS NOT SHOWN**

FIGURE 9 BEVEL GEARBOX

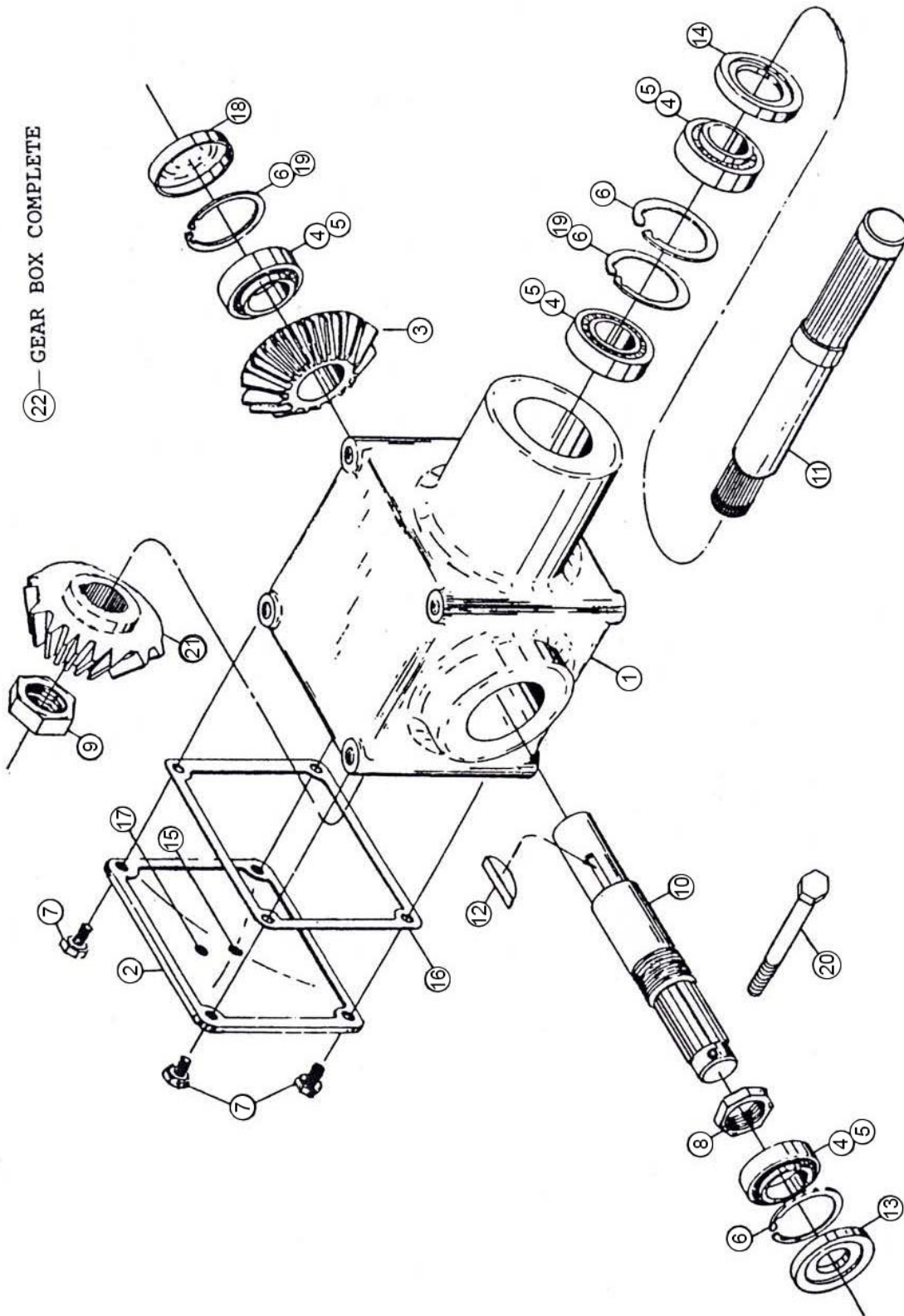


FIGURE 9 BEVEL GEARBOX

| <u>ITEM</u> | <u>QTY</u> | <u>PART#</u> | <u>DESCRIPTION</u> |
|-------------|------------|--------------|-----------------------------|
| 1 | 1 | G50 | HOUSING |
| 2 | 1 | G51 | COVER |
| 3 | 1 | 23N136 | BEVEL GEARBOX (24T) |
| 4 | 4 | G53 | BEARING |
| 5 | 4 | G54 | RACE |
| 6 | 4 | G55 | SNAP RING |
| 7 | 4 | YBHH10132 | CAPSCREW, 5/16 X 5/8 |
| 8 | 1 | G57 | STAKE NUT 1-1/2 |
| 9 | 1 | 31N39 | STAKE NUT 1-1/8 |
| 10 | 1 | 23N137 | OUTPUT SHAFT |
| 11 | 1 | 31N40 | INPUT SHAFT, DOUBLE SPLINED |
| 12 | 1 | G61 | WOODRUFF KEY |
| 13 | 1 | G63 | OUTPUT SEAL |
| 14 | 1 | G64 | INPUT SEAL |
| 15 | 1 | G65 | PLUG, 1/8 NPT |
| 16 | 1 | G66 | GASKET |
| 17 | 1 | G67 | PLUG, 1/8 NPT |
| 18 | 1 | G68 | CAP |
| 19 | 1 | G69 | SHIM |
| 20 | 1 | YBHH10130 | BOLT HEX, 5/16 X 5 G5 |
| 21 | 1 | 31N41 | BEVEL GEAR (16T) |
| 22 | 1 | 31N42 | COMPLETE GEARBOX |
| * | 1 | 18VB25 | RACE |

*MEANS NOT SHOWN

FIGURE 10 HYDRAULIC CYLINDER

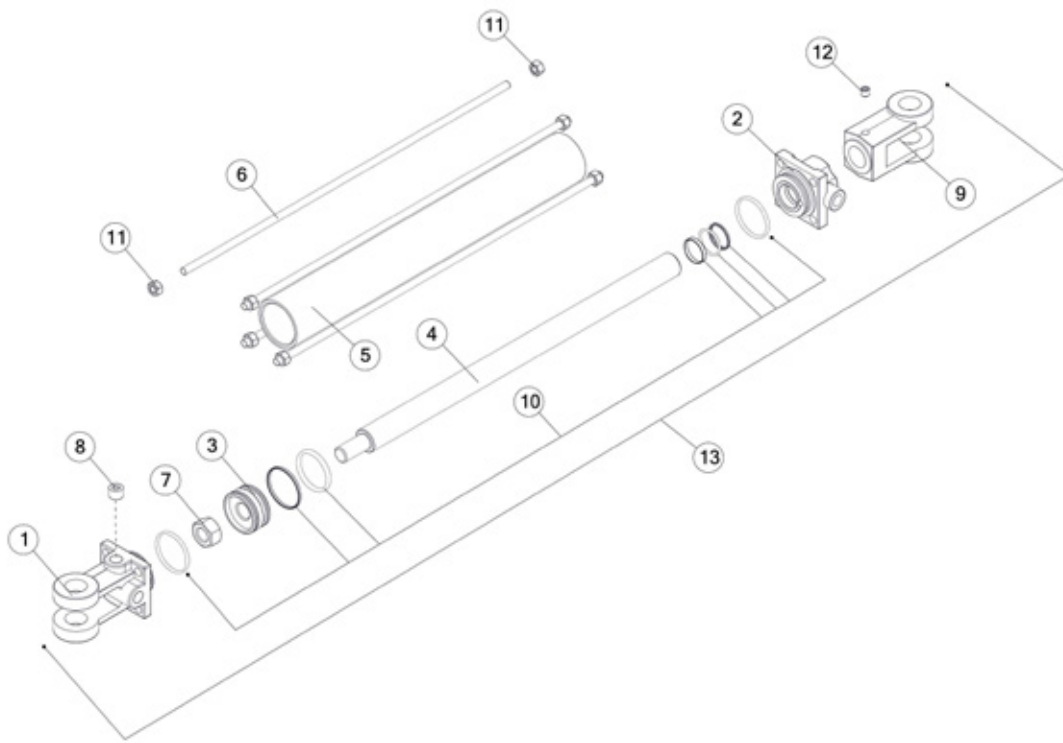


FIGURE 10 **HYDRAULIC CYLINDER**

| <u>ITEM</u> | <u>QTY</u> | <u>PART#</u> | <u>DESCRIPTION</u> |
|--------------------|-------------------|---------------------|------------------------------|
| 1 | 1 | 23N142A | CLEVIS CAP FOR 2 IN CYLINDER |
| 2 | 1 | 56174 | ROD CAP |
| 3 | 1 | 56180 | PISTON FOR 2 IN CYLINDER |
| 4 | 1 | 23N145A | ROD |
| 5 | 1 | 23N146 | CYLINDER TUBE |
| 6 | 4 | 23N147 | SHAFT |
| 7 | 1 | 23N148 | PISTON NUT |
| 8 | 1 | 23N149 | PLUG |
| 9 | 1 | 23N150A | ROD CLEVIS |
| 10 | 1 | 56187 | SEAL KIT FOR 2 IN CYLINDER |
| 11 | 8 | YNHX12006 | NUT HEX, 3/8 G2 |
| 12 | 1 | YSSO12015 | SET SCREW SOCKET, 3/8 X 3/8 |
| 13 | 1 | 56015 | HYDRAULIC CYLINDER (2 X 16) |

FIGURE 11 PTO ASSEMBLY

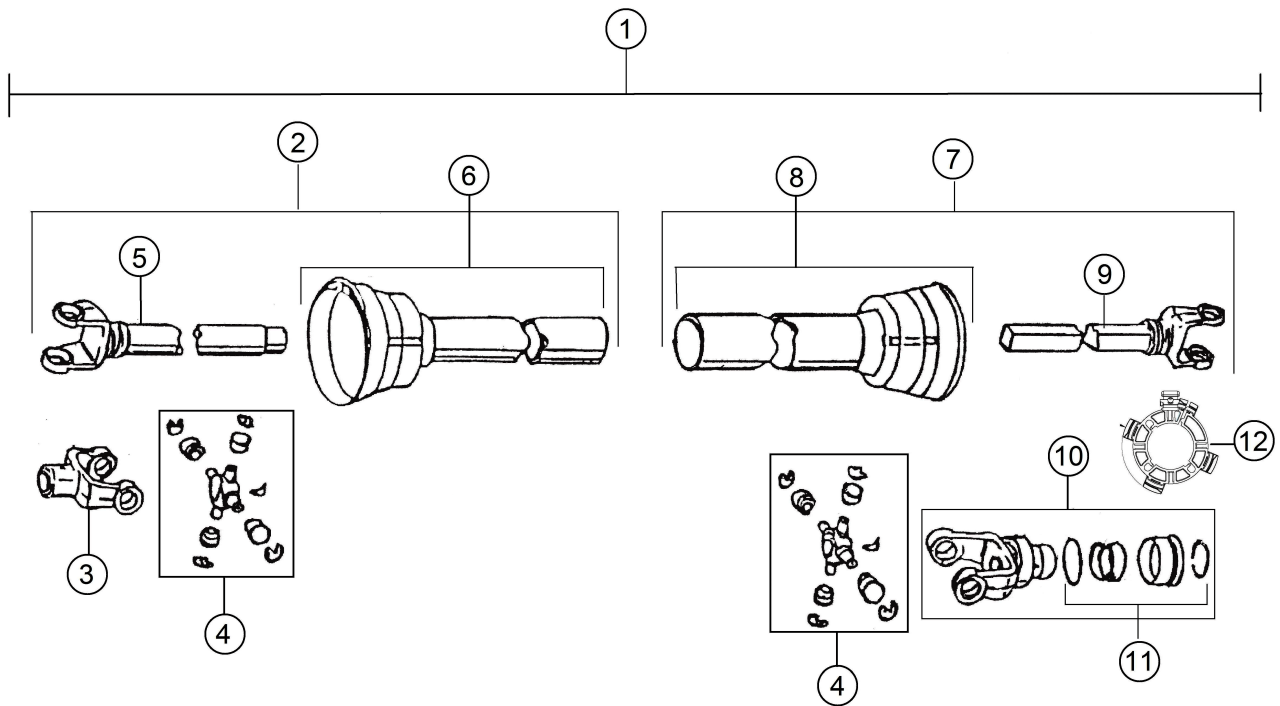


FIGURE 11 **PTO ASSEMBLY**

| <u>ITEM</u> | <u>QTY</u> | <u>PART#</u> | <u>DESCRIPTION</u> |
|--------------------|-------------------|---------------------|------------------------------------|
| 1 | 1 | 23N152 | PTO COMPLETE W/SHIELDS |
| 2 | 1 | 23N153 | MACHINE HALF PTO W/SHIELDS |
| 3 | 1 | G1R35 | END YOKE MACHINE HALF |
| 4 | 2 | 14NW | REPAIR KIT |
| 5 | 1 | 23N155 | YOKE AND TUBE |
| 6 | 2 | 23N156 | BEARING RETAINER |
| 7 | 2 | 23N157 | NYLON BEARING |
| 8 | 1 | 23N158 | INNER GUARD INCLUDING ITEM #6 & #7 |
| 9 | 1 | 23N159 | TRACTOR HALF PTO W/SHIELD |
| 10 | 1 | 23N162 | OUTER GUARD INCLUDING ITEM #6 & #7 |
| 11 | 1 | S225 | YOKE AND SHAFT |
| 12 | 1 | 16SV181 | LOCK YOKE ASSEMBLY |
| * | 1 | S402 | PTO SAFETY MANUAL |

***MEANS NOT SHOWN**

FIGURE 12
PTO ASSEMBLY (1000RPM)

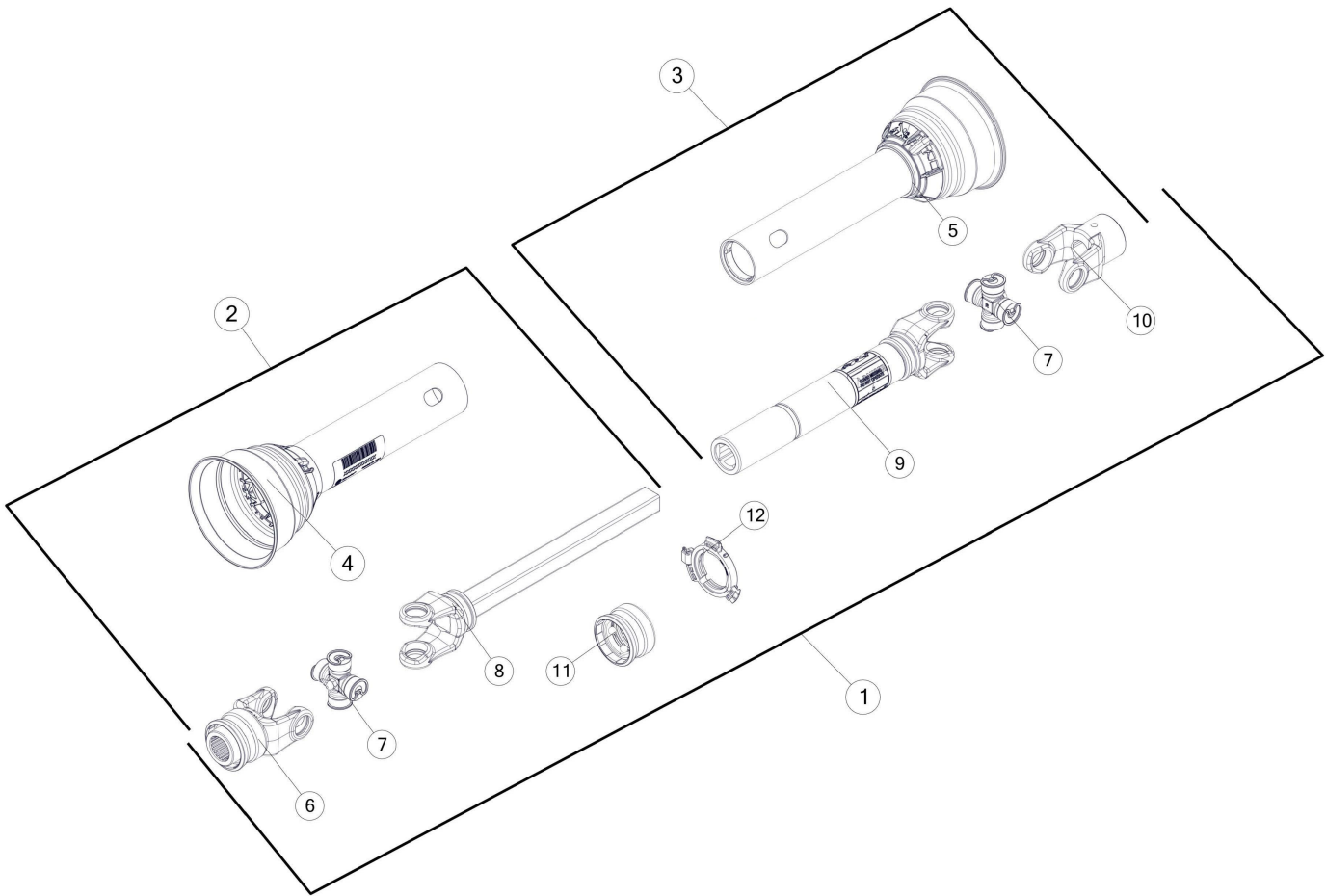


FIGURE 12
PTO ASSEMBLY (1000RPM)

| <u>ITEM</u> | <u>QTY</u> | <u>PART#</u> | <u>DESCRIPTION</u> |
|-------------|------------|--------------|---------------------------|
| 1 | 1 | 23N313 | COMPLETE PTO |
| 2 | 1 | 23N314 | TRACTOR HALF W/SHIELD |
| 3 | 1 | 23N153 | MACHINE HALF PTO W/SHIELD |
| 4 | 1 | 55864 | OUTER GUARD |
| 5 | 1 | 23N156 | INNER GUARD |
| 6 | 1 | 37N73 | 1000 RPM YOKE |
| 7 | 2 | 14NW | 14R CROSS & BEARING KIT |
| 8 | 1 | 23N159 | YOKE AND SHAFT |
| 9 | 1 | 23N155 | YOKE AND TUBE |
| 10 | 1 | G1R35 | YOKE 1-1/4 |
| 11 | 1 | S225 | SPRING-LOK REPAIR KIT |
| 12 | 1 | 55861 | GUARD REPAIR KIT |
| * | 1 | S402 | ADMA SAFETY MANUAL |

***MEANS NOT SHOWN**

FIGURE 13 OPTIONAL 2ND BEATER LH

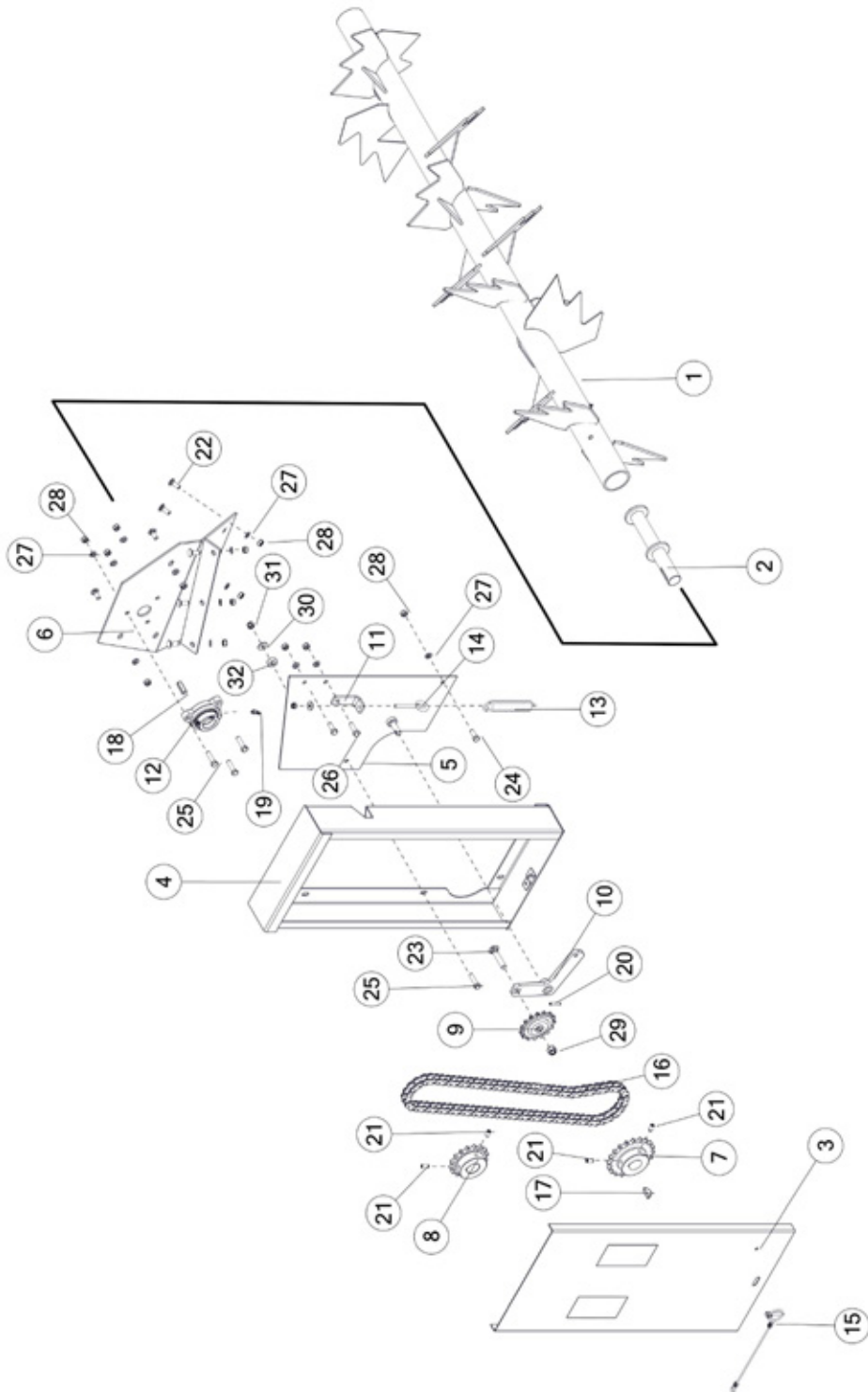


FIGURE 13

OPTIONAL 2ND BEATER LH

| <u>ITEM</u> | <u>QTY</u> | <u>PART#</u> | <u>DESCRIPTION</u> |
|-------------|------------|--------------|-------------------------------|
| 1 | 1 | 80724 | SECOND BEATER |
| 2 | 1 | 80723 | STUB SHAFT, RH |
| 3 | 1 | 81467 | FRONT SHIELD WITH DECAL |
| 4 | 1 | 81468 | BEATER SHIELD WITH DECALS |
| 5 | 1 | 81465 | BACK SHIELD WITH DECAL |
| 6 | 1 | 80718 | BEATER PANEL, RH |
| 7 | 1 | 80898 | SPROCKET, 20T |
| 8 | 1 | D23 | SPROCKET, 16T |
| 9 | 1 | 12N42 | IDLER SPROCKET,15T |
| 10 | 1 | 80728 | SPRING TENSIONER ARM |
| 11 | 1 | 80152 | SPRING TENSIONER BRKT |
| 12 | 1 | 80725 | BEATER BEARING |
| 13 | 1 | ST36 | TENSION SPRING |
| 14 | 1 | YBTE10015 | BOLT TURNED EYE, 5/16 X 2-5/8 |
| 15 | 1 | S122 | LANYARD CLIP PIN CABLE |
| 16 | 1 | 37N49 | ROLLER CHAIN #60 |
| 17 | 1 | 5B9 | KEY |
| 18 | 1 | A32 | SQUARE KEY |
| 19 | 1 | RG21 | GREASE ZERK, 45 DEGREE |
| 20 | 1 | YPEX08010 | EXPANSION PIN, 1/4 X 1-1/4 |
| 21 | 4 | YSKP12035 | SETSCREW, 3/8 X 3/4 |
| 22 | 6 | YBCR12010 | BOLT CARRIAGE, 3/8 X 1 G5 |
| 23 | 1 | YBCR16025 | BOLT CARRIAGE, 1/2 X 2-1/2 G2 |
| 24 | 2 | YBHH12005 | BOLT HEX, 3/8 X 1 G2 |
| 25 | 3 | YBHH12025 | BOLT HEX, 3/8 X 1-1/2 G5 |
| 26 | 1 | YBHH12030 | BOLT HEX, 3/8 X 1-1/4 G2 |
| 27 | 12 | YWLO12005 | WASHER LOCK, 3/8 |
| 28 | 12 | YNHX12004 | NUT HEX, 3/8 G2, |
| 29 | 1 | YNNY16005 | NUT HEX, 1/2 G2, |
| 30 | 1 | YWFL12005 | WASHER FLAT, 3/8 |

FIGURE 13
OPTIONAL 2ND BEATER RH

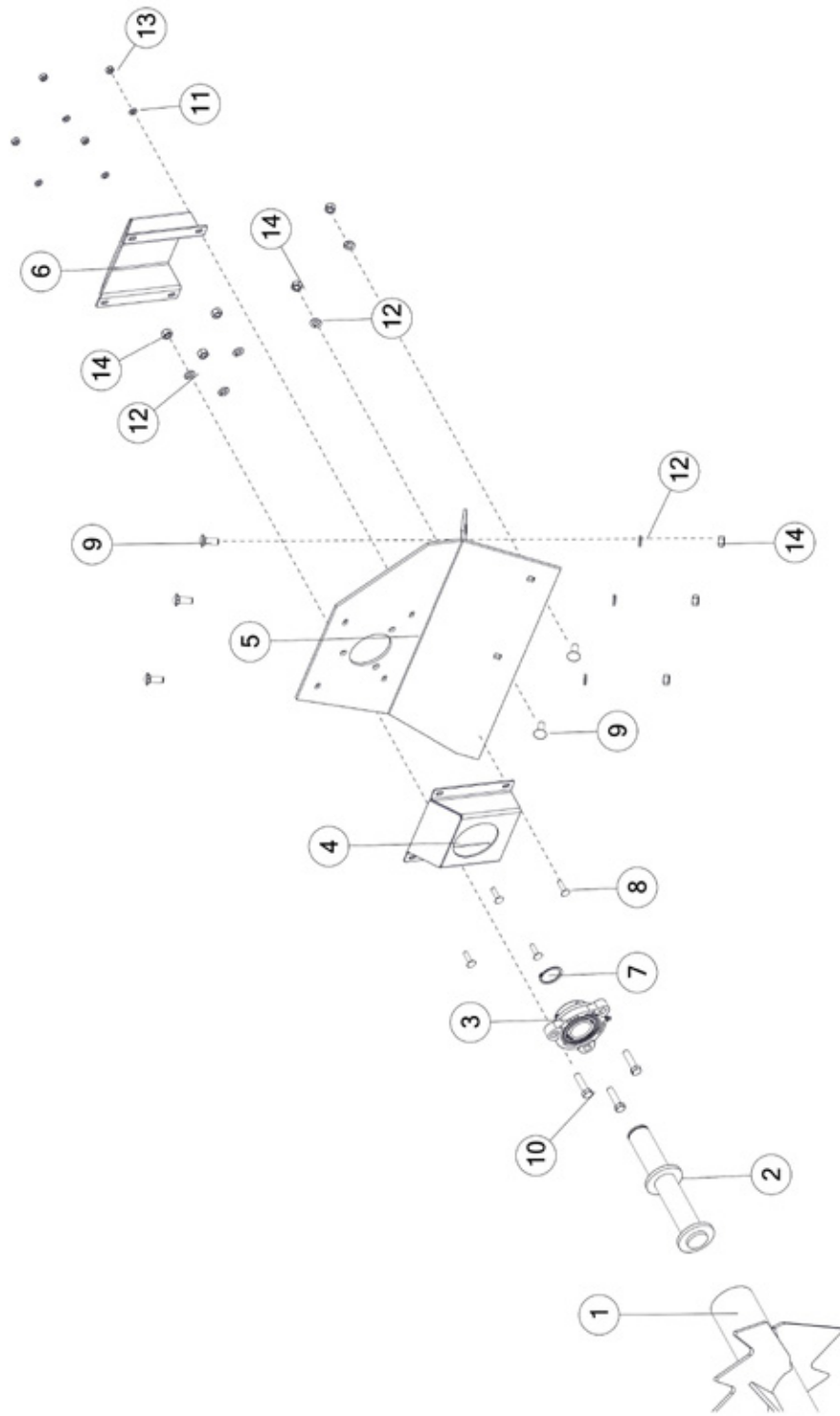


FIGURE 13
OPTIONAL 2ND BEATER RH

| <u>ITEM</u> | <u>QTY</u> | <u>PART#</u> | <u>DESCRIPTION</u> |
|--------------------|-------------------|---------------------|-----------------------------------|
| 1 | 1 | 80724 | SECOND BEATER |
| 2 | 1 | 80721 | STUB SHAFT LH |
| 3 | 1 | 80725 | BEATER BEARING |
| 4 | 1 | 57216 | BEATER BEARING PROTECTOR |
| 5 | 1 | 80716 | BEATER PANEL LH |
| 6 | 1 | 80729 | EXTERIOR BEATER BEARING PROTECTOR |
| 7 | 1 | 81527 | EXTERNAL SNAP RING 1-3/8 |
| 8 | 4 | YBCR08005 | BOLT CARRIAGE, 1/4 X 1 G5 |
| 9 | 5 | YBCR12010 | BOLT CARRIAGE, 3/8 X 1 G5 |
| 10 | 3 | YBHH12025 | BOLT HEX, 3/8 X 1-1/2 G5 |
| 11 | 4 | YWLO08010 | WASHER LOCK, 1/4 G8 |
| 12 | 8 | YWLO12005 | WASHER LOCK, 3/8 |
| 13 | 4 | YNHX08005 | NUT HEX, 1/4 |
| 14 | 8 | YNHX12004 | NUT HEX, 3/8 G2 |

FIGURE 14 **OPTIONAL ELECTRIC CONTROL FOR HYDRAULIC DRIVE**

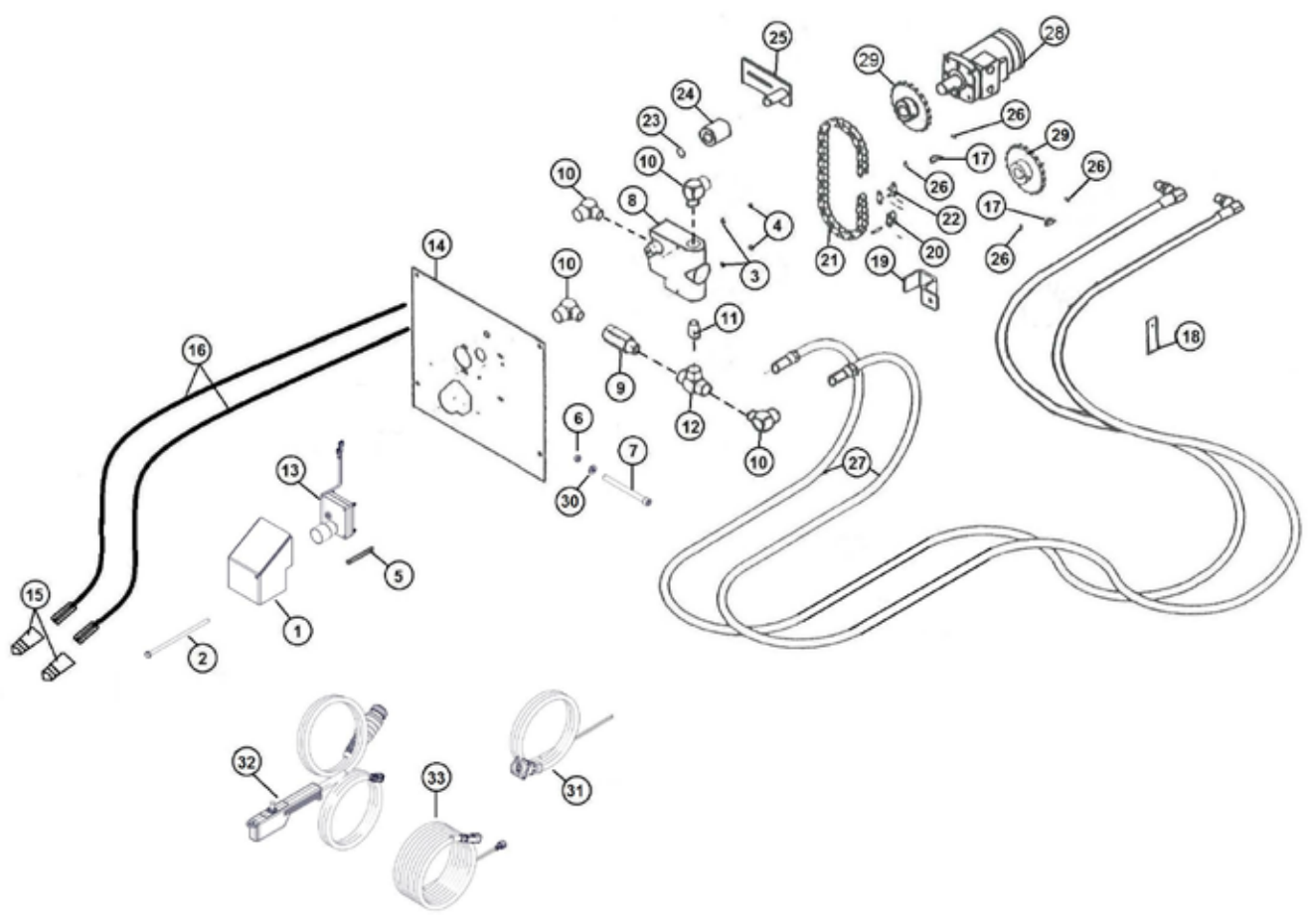


FIGURE 14

OPTIONAL ELECTRIC CONTROL FOR HYDRAULIC DRIVE

| <u>ITEM</u> | <u>QTY</u> | <u>PART#</u> | <u>DESCRIPTION</u> |
|-------------|------------|--------------|------------------------------------|
| 1 | 1 | 81058 | MOTOR SHIELD HOLDER |
| 2 | 1 | YBHH08127 | SHIELD BOLT |
| 3 | 2 | YWLO08005 | WASHER LOCK, 1/4 |
| 4 | 2 | YNTL08005 | NUT HEX, 1/4 G2 |
| 5 | 2 | YBCR08025 | BOLT CARRIAGE, 1/4 X 2-1/2 G5 |
| 6 | 1 | YNTL12005 | NUT HEX, 3/8 |
| 7 | 1 | YSHS12020 | BOLT SOCKET, 3/8 X 4-1/2 |
| 8 | 1 | DF15A | FLOW CONTROL |
| 9 | 1 | DF18 | CHECK VALVE |
| 10 | 4 | HE58 | FIT, 90, 1/2NPT X 1/2NPT |
| 11 | 1 | DF4 | FIT, STRAIGHT, 1/2NPT X 1/2NPT |
| 12 | 1 | DF8 | FIT, TEE, 1/2NPT X 1/2NPT X 1/2NPT |
| 13 | 1 | 81270 | GEAR MOTOR |
| * | 1 | 81269 | MOTOR CAP |
| 14 | 1 | 23N133 | CONTROL PANEL |
| 15 | 2 | DWM205 | MALE QUICK COUPLER |
| 16 | 2 | 23N309 | HYD HOSE, 8 X 96 |
| 17 | 2 | 5B10 | WOODRUFF KEY, 1/4 X 1 |
| 18 | 1 | 23N117 | HOSE HOLDER |
| 19 | 1 | HE14 | PIPE BRACKET |
| 20 | 1 | X60 | OFFSET LINK (#50) |
| 21 | 1 | 23N131 | ROLLER CHAIN (#50, 40 PITCHES) |
| 22 | 1 | X61 | CONNECTOR LINK (#50) |
| 23 | 1 | 10R32 | EXTERNAL SNAP RING |
| 24 | 1 | 23N238 | CHAIN TIGHTENER ROLLER |
| 25 | 1 | L10R35 | TIGHTENER BRAKET |
| 26 | 2 | YSKP10010 | SCREW SOCKET HEAD, 5/16 X 3/8 |
| 27 | 2 | 77330 | HYDRAULIC HOSE, 6, 224IN |
| 28 | 1 | DF1 | HYDRAULIC MOTOR |
| 29 | 1 | 11S19 | DRIVE SPROCKET (20T) |
| 30 | 1 | YWLO12005 | WASHER LOCK, 1/4 |
| 31 | 1 | 16SV269 | TRACTOR CONTROL HARNESS |
| 32 | 1 | 63365 | HAND CONTROLLER |
| 33 | 1 | 16SV272 | POWER SUPPLY CABLE |

FIGURE 15
ELECTRIC CONTROL

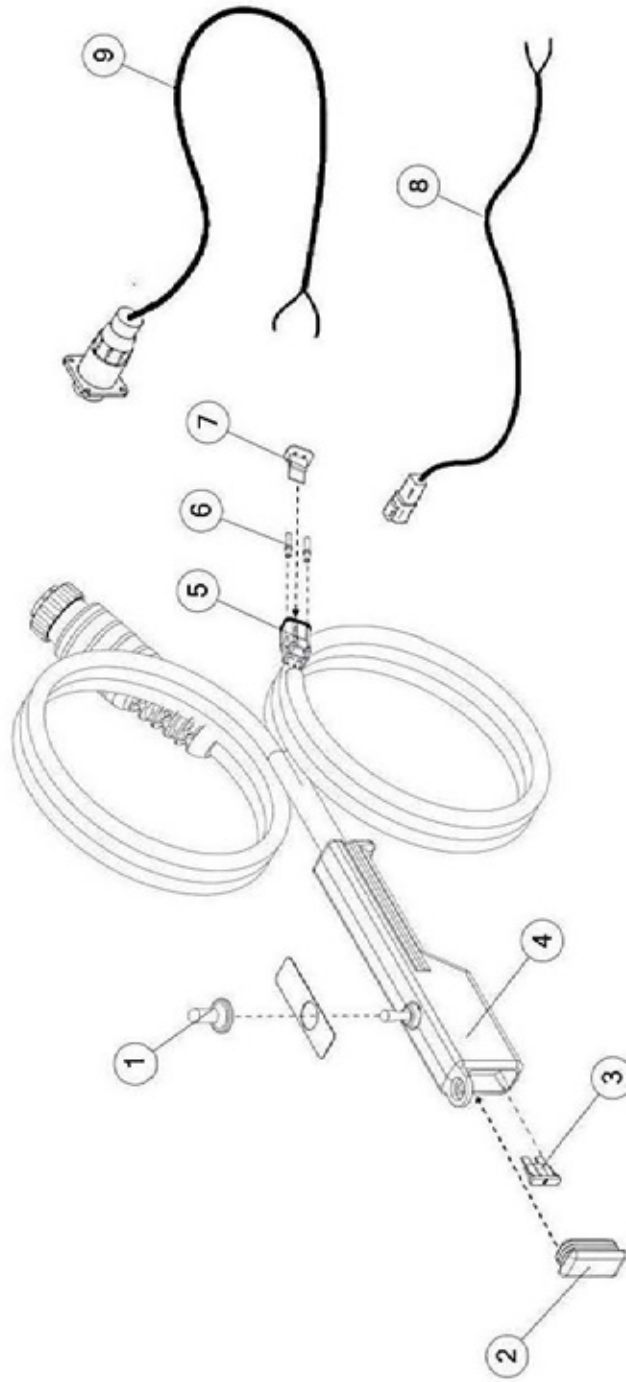


FIGURE 15
ELECTRIC CONTROL

| <u>ITEM</u> | <u>QTY</u> | <u>PART#</u> | <u>DESCRIPTION</u> |
|--------------------|-------------------|---------------------|-------------------------------------|
| 1 | 1 | 16SV235 | SWITCH BOOTS |
| 2 | 1 | 61564 | CAP |
| 3 | 1 | 61597 | FUSE, BLADE, 5AMP |
| 4 | 1 | 63365 | HAND CONTROLLER (ON-OFF-ON) |
| 5 | 1 | 58790 | DEUTSCH 2 PIN PLUG |
| 6 | 2 | 56760 | DEUTSCH SOCKET, SOLID, 14-16 GA. |
| 7 | 1 | 58793 | LOCKING WEDGE FOR DT06-2S CONNECTOR |
| 8 | 1 | 56N134 | SPREADER CONTROL CORD |
| 9 | 1 | 16SV269 | TRACTOR CONTROL CABLE |

FIGURE 16
LIGHT KIT

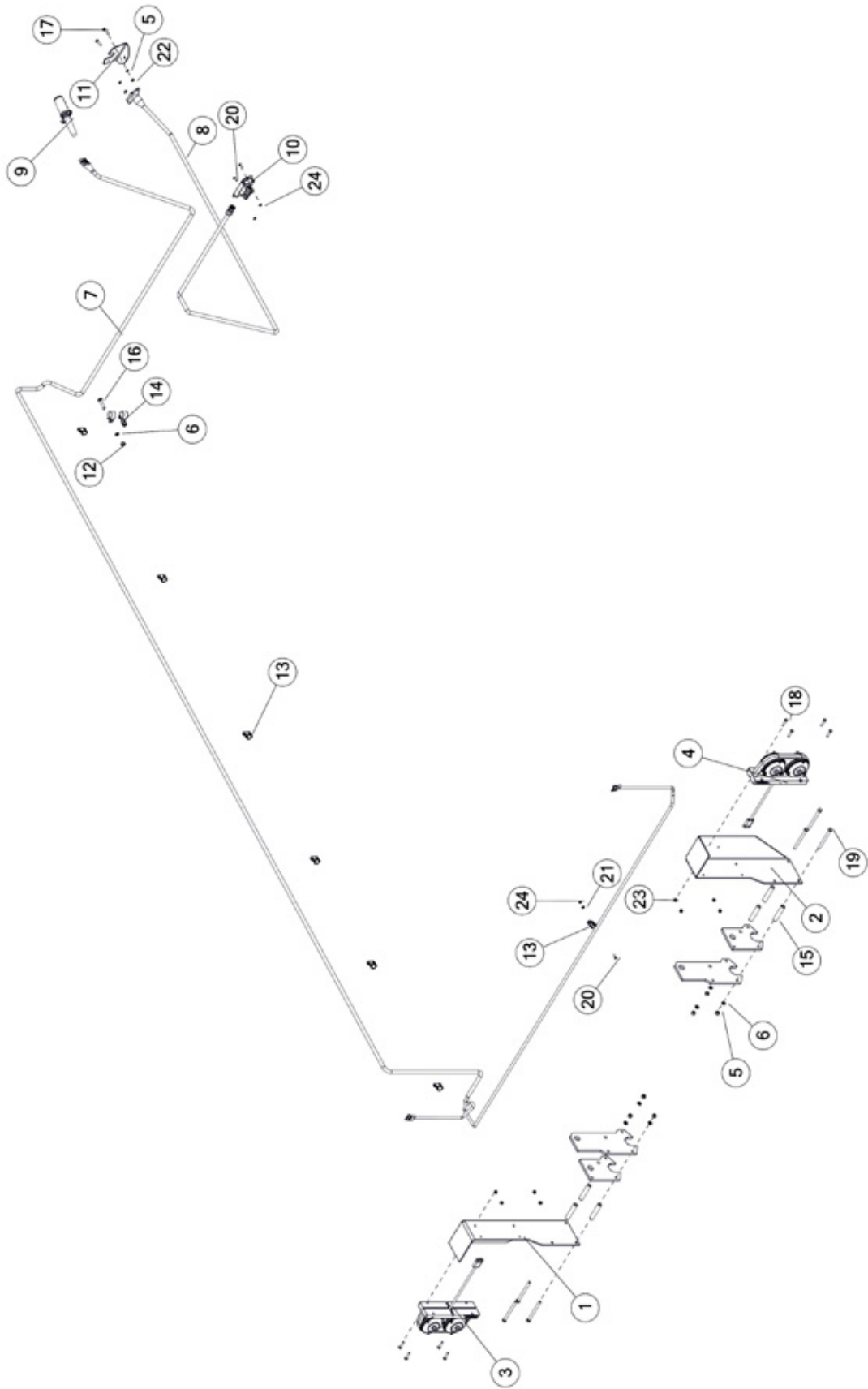


FIGURE 16 LIGHT KIT

| <u>ITEM</u> | <u>QTY</u> | <u>PART#</u> | <u>DESCRIPTION</u> |
|-------------|------------|--------------|----------------------------|
| 1 | 1 | 77918 | LIGHT BRACKET LH |
| 2 | 1 | 77922 | LIGHT BRACKET RH |
| 3 | 1 | 77923 | TAIL LIGHT ASSY LH |
| 4 | 1 | 77924 | TAIL LIGHT ASSY RH |
| 5 | 1 | YNL12005 | NUT HEX, 3/8 |
| 6 | 2 | YWLO12005 | WASHER LOCK, 3/8 |
| 7 | 1 | 77975 | ELEC HARNESS |
| 8 | 1 | 79260 | LIGHT HARNESS |
| 9 | 1 | TLPC | TRANSPORT LIGHT CORD |
| 10 | 1 | 69908 | MODULE CONTROL BLINKER |
| 11 | 1 | BFR659 | LIGHT BRACKET |
| 12 | 2 | YNL12005 | NUT HEX, 3/8 |
| 13 | 5 | HGV162 | 1/2 RUBBER WIRE HOLDER |
| 14 | 2 | HGV72 | SMALL TUBE HOLDER SPACER |
| 15 | 6 | ST55 | BOLT CARRIAGE, 3/8 X 2 |
| 16 | 2 | YBCR12035 | BOLT, CARRIAGE 1/4 X 1 |
| 17 | 2 | YBHH08005 | BOLT HEX, 1/4 X 1-1/4 |
| 18 | 8 | YBHH08030 | BOLT HEX, 3/8 X 4-1/2 |
| 19 | 8 | YBHH12185 | MACHINE SCREW #10-24 X 5/8 |
| 20 | 6 | YSPN64005 | RIVET |
| 21 | 6 | YMRV06015 | WASHER, 3/16 |
| 22 | 2 | YNHX08005 | NUT HEX, 1/4 |
| 23 | 8 | YNNY08005 | NUT HEX, 1/4 |
| 24 | 8 | YNNY64005 | NUT HEX, #10-24 |

CHANGE NOTES

1. Added 81269 to Figure 14
2. Added light kit to Figure 16

H&S MFG. CO.

products approved

for the

FEMA

SEAL OF QUALITY

