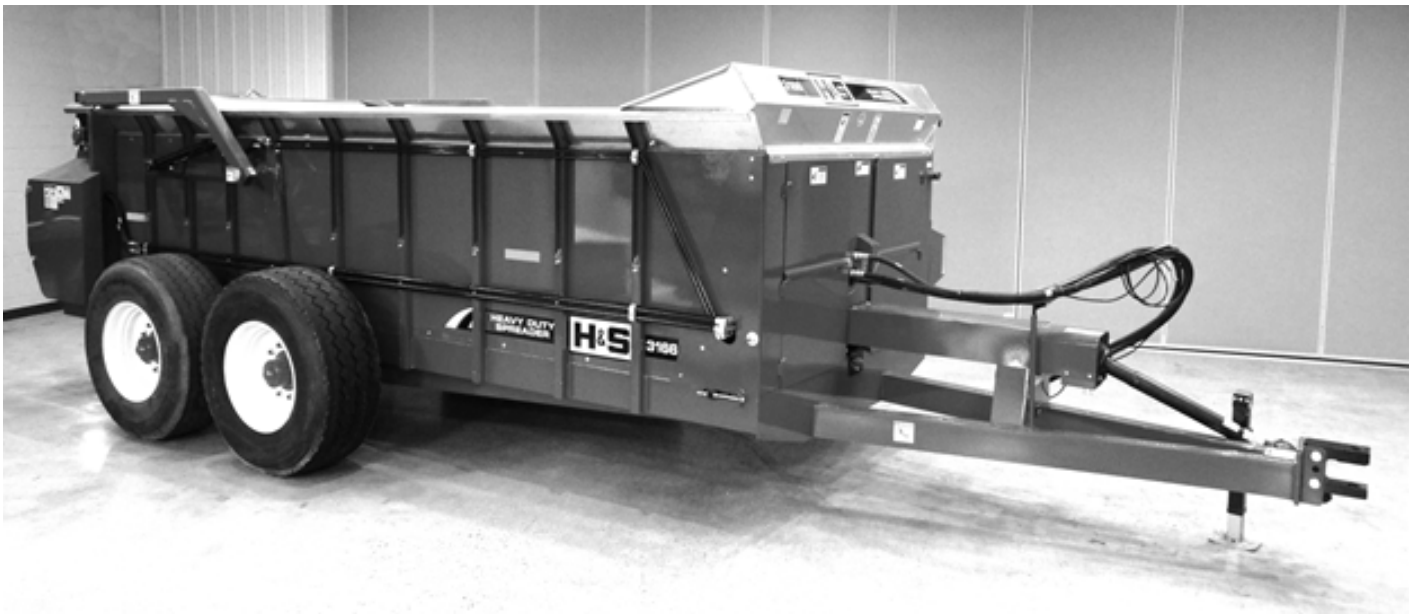


H&S

PARTS BOOK

S3156 SPREADER



Revision #01
Starting Ser. #911MS56001

Part #77583
HSMFG0718

2608 S. HUME AVE. , MARSHFIELD, WI 54449
(715) 387-3414 FAX (715) 384-5463
www.hsmfgco.com

CONTENTS

Instructions for Ordering Parts	1
Figure 1 - Tandem Axles	2-3
Figure 2 - Optional Tandem Axles	4-5
Figure 3 - Front Gate	6-7
Figure 4 - Front Shield	8-9
Figure 5 - Right Side Flare	10-11
Figure 6 - Left Side Flare	12-13
Figure 7 - Rear Shields	14-15
Figure 8 - Beater Drive Train	16-19
Figure 9 - Beater Drive	20-21
Figure 10 - Top Beater	22-23
Figure 11 - Bottom Beater	24-25
Figure 12 - End Gate	26-27
Figure 13 - Hydraulics	28-31
Figure 14 - Apron Gearbox	32-33
Figure 15 - Apron Chain	34-35
Figure 16 - Electric Control	36-37
Figure 17 - Hydraulic Cylinder	38-39
Figure 18 - Optional Pan	40-41
Figure 19 - Bevel Gearbox	42-43
Figure 20 - Lights	44-45
Figure 21 - PTO	46
Figure 22 - PTO (Optional).....	47
Parts Notes	48-49

INSTRUCTIONS FOR ORDERING PARTS

All service parts should be ordered through your authorized H&S dealer. He will be able to give you faster service if you will provide them with the following:

1. Model & Serial Number - Both can be located on the side of the center bearing post above jack mount.
2. All references to left or right apply to the machine as viewed from the rear.
3. Parts should not be ordered from illustration only. Please order complete part number.
4. If your dealer has to order parts - give shipping instructions:

VIA truck - large pieces (please specify local truck lines)

VIA United Parcel Service (include full address)

H&S MFG. CO. INC.	
MARSHFIELD, WIS.	
MOD. NO.	<input type="text"/>
SER. NO.	<input type="text"/>
DESCR.	<input type="text"/>

PLEASE RECORD NUMBERS FOR YOUR UNIT FOR QUICK REFERENCE

ABOUT IMPROVEMENTS

H&S IS CONTINUALLY STRIVING TO IMPROVE IT'S PRODUCTS

We must therefore, reserve the right to make improvements or changes whenever it becomes practical to do so, without incurring any obligation to make changes or additions to the equipment previously sold.

FIGURE 1

TANDEM AXLES

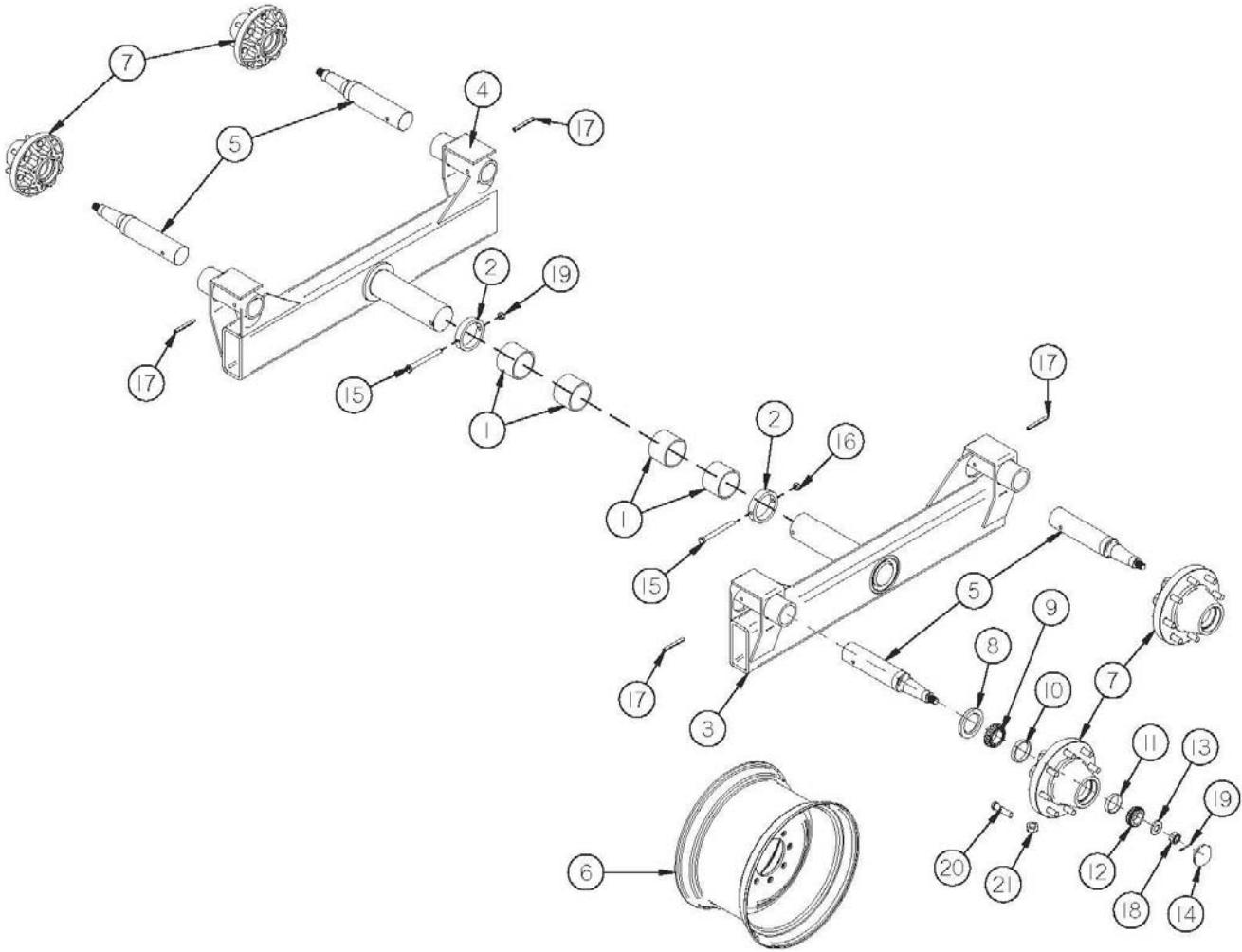


FIGURE 1

TANDEM AXLES

<u>ITEM</u>	<u>QTY</u>	<u>PART #</u>	<u>DESCRIPTION</u>
1	4	70157	POLY BUSHING
2	2	16SV214	COLLAR FOR AXLE
3	1	56N157	TANDEM AXLE LH
4	1	56N158	TANDEM AXLE RH
5	4	57186	SPINDLE
6	4	16SV89	WHEEL 13.5 X 22.5
*	4	16SV88	TIRE (425 X 22.5 TRUCK)
7	4	RG275	COMPLETE HUB
8	4	33SV42	SEAL
9	4	33SV43	INNER BEARING
10	4	33SV44	INNER RACE
11	4	17G149	OUTER RACE
12	4	17G150	OUTER BEARING
13	4	33SV95	WASHER
14	4	RG171	HUB CAP
15	2	YBHH16165	BOLTHEX, 1/2 X 6 G5
16	2	YNL16005	NUT HEX , TOP LOCK, 1/2
17	4	YPEX16020	EXPANSION PIN, 1/2 X 4
18	4	YNSL32005	NUT HEX, SLOTTED, 1
19	4	YPCT07005	COTTER PIN, 7/32 X 2
20	32	YBSD20010	STUD BOLT, 5/8 UNF X 2-1/2 (7/8 SHOULDER)
21	32	YNWL20005	WHEEL NUT, 5/8 UNF

NOTE: * MEANS NOT SHOWN

FIGURE 2
(OPTIONAL) TANDEM AXLES

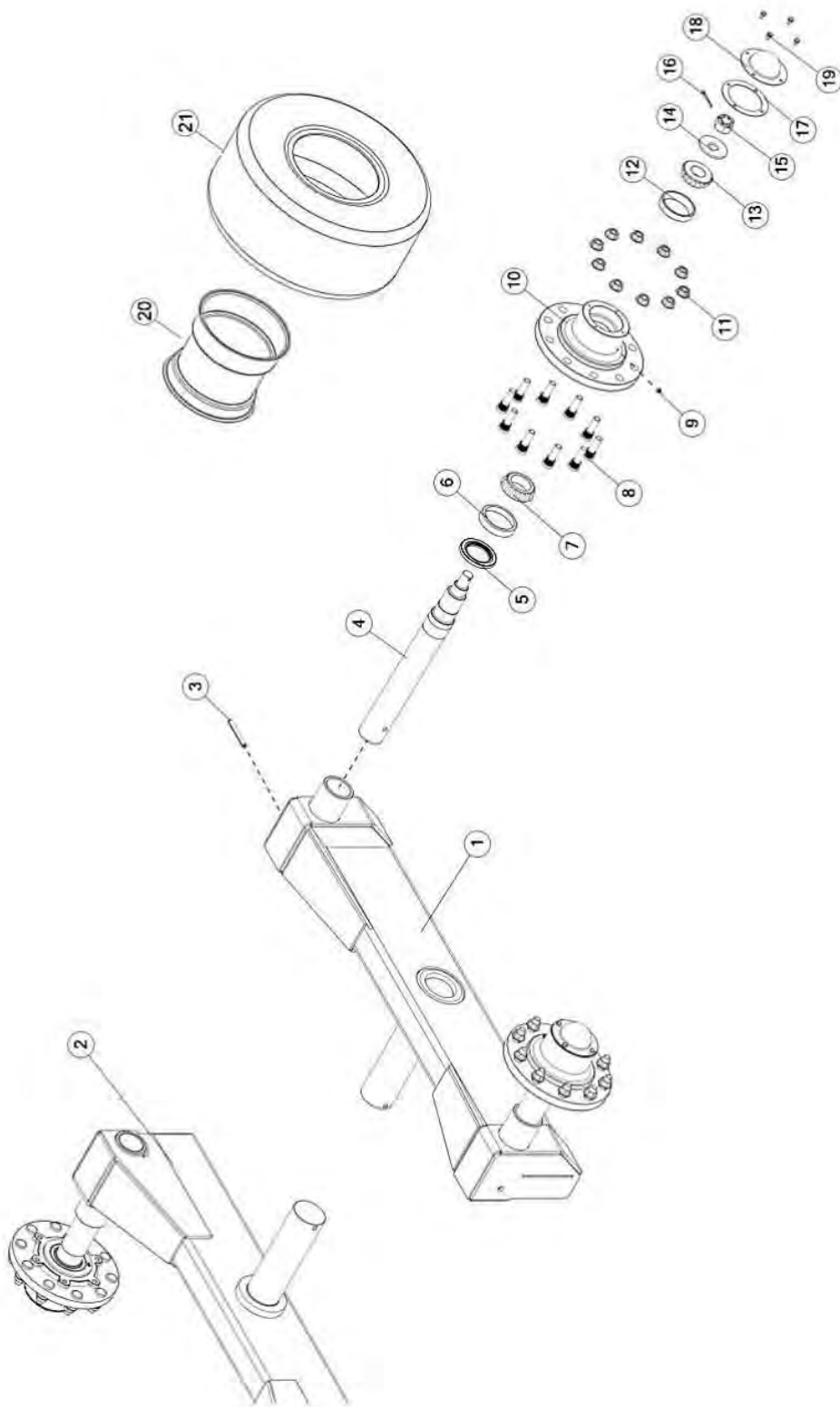


FIGURE 2

(OPTIONAL) TANDEM AXLES

<u>ITEM</u>	<u>QTY</u>	<u>PART #</u>	<u>DESCRIPTION</u>
1	1	59595	TANDEM AXLE LH
2	1	59596	TANDEM AXLE RH
3	4	YPEX16020	EXPANSION PIN, 1/2 X 4
4	4	FBC31	TANDEM SPINDLE
5	4	60N5	SEAL
6	4	60N6	INNER RACE
7	4	60N7	INNER BEARING
8	40	YBSD24010	STUD BOLT, 3/4 UNF X 2-3/4 (3/4 SHOULDER)
9	4	BFR28	GREASE ZERK, 1/8 NPT
10	4	60N8	HUB W/RACES (10 BOLT)
11	40	YNWL24005	NUT HEX , FLANGE , 3/4 UNF, G8
12	4	60N10	OUTER RACE
13	4	60N9	OUTER BEARING
14	4	60N2	SPINDLE WASHER
15	4	YNCA36005	NUT HEX , CASTLE, 1-1/4
16	4	YPCT07005	COTTER PIN, 7/32 X 2
17	4	56234	HUB CAP GASKET
18	4	60N11	HUB CAP
19	16	YBHH10020	BOLT HEX, 5/16 X 1/2 G5
20	4	66777	WHEEL 22.5 X 20
21	4	FBC36	TIRE, 600/50-22.5
*	4	59918	TIRE, 600/50R22.5, ON 22.5X20, 10 BOLT

NOTE: *MEANS NOT SHOWN

FIGURE 3
FRONT GATE

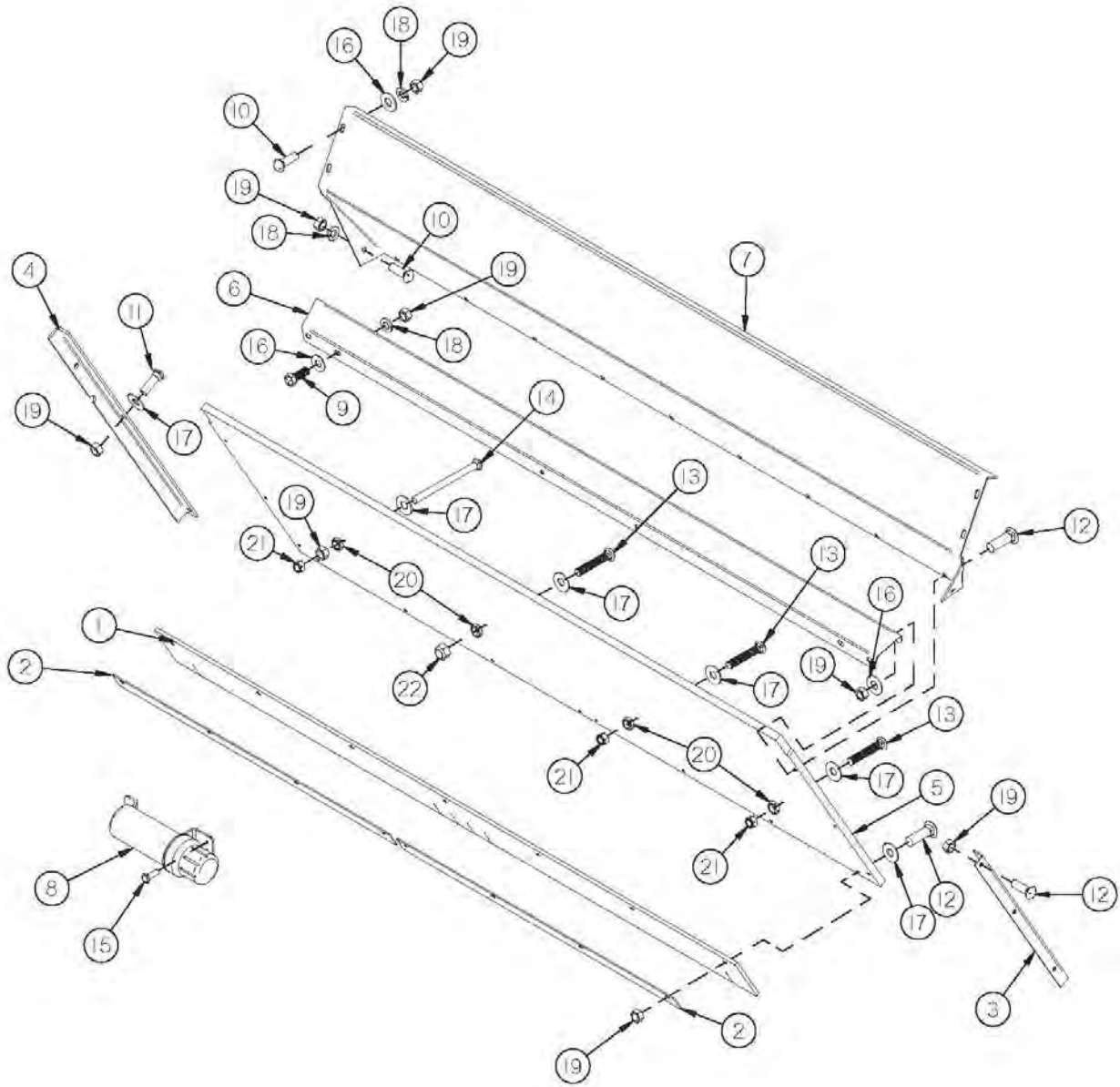


FIGURE 3

FRONT GATE

<u>ITEM</u>	<u>QTY</u>	<u>PART #</u>	<u>DESCRIPTION</u>
1	1	56N16	FRONT RUBBER
2	1	50N51	FRONT PANEL STRAP
3	1	56N17	PLYWOOD ANGLE LH
4	1	56N18	PLYWOOD ANGLE RH
5	1	56N19	FRONT GATE
*	1	56N135	FIBERGLASS REINFORCED PLYWOOD LH
*	1	56N136	FIBERGLASS REINFORCED PLYWOOD RH
*	1	56N137	POLY FLOOR
6	1	56N20	FRONT END BRACE
7	1	56N21	FRONT FLARE
8	1	S522	MANUAL HOLDER
9	6	YBHH12010	BOLT HEX, 3/8 X 1 G5
10	6	YBCR12065	BOLT CARRIAGE, 3/8 X 3/4 G5
11	6	YBCR12020	BOLT CARRIAGE, 3/8 X 1-1/4 G5
12	23	YBCR12015	BOLT CARRIAGE, 3/8 X 1-1/2 G5
13	3	YBCR12035	BOLT CARRIAGE, 3/8 X 2 G5
14	1	YBCR12080	BOLT CARRIAGE, 3/8 X 3-1/4 G5
15	3	YSDR08005	SELF DRILLING SCREW, HEX WASHER HEAD 1/4 X 1
16	19	YWFL12005	WASHER FLAT, 3/8 USS
17	18	YWFL16005	WASHER FLAT, 1/2 USS
18	12	YWLO12005	WASHER LOCK, 3/8 USS
19	42	YNHX12005	NUT HEX, 3/8
20	4	YNJM12005	NUT HEX, JAM, 3/8
21	4	YNNY12005	NUTHEX, NYLON LOCKNUT, 3/8
22	1	YNL12005	NUTHEX, TOP LOCK, 3/8

NOTE: * MEANS NOT SHOWN

FIGURE 4

FRONT SHIELDS

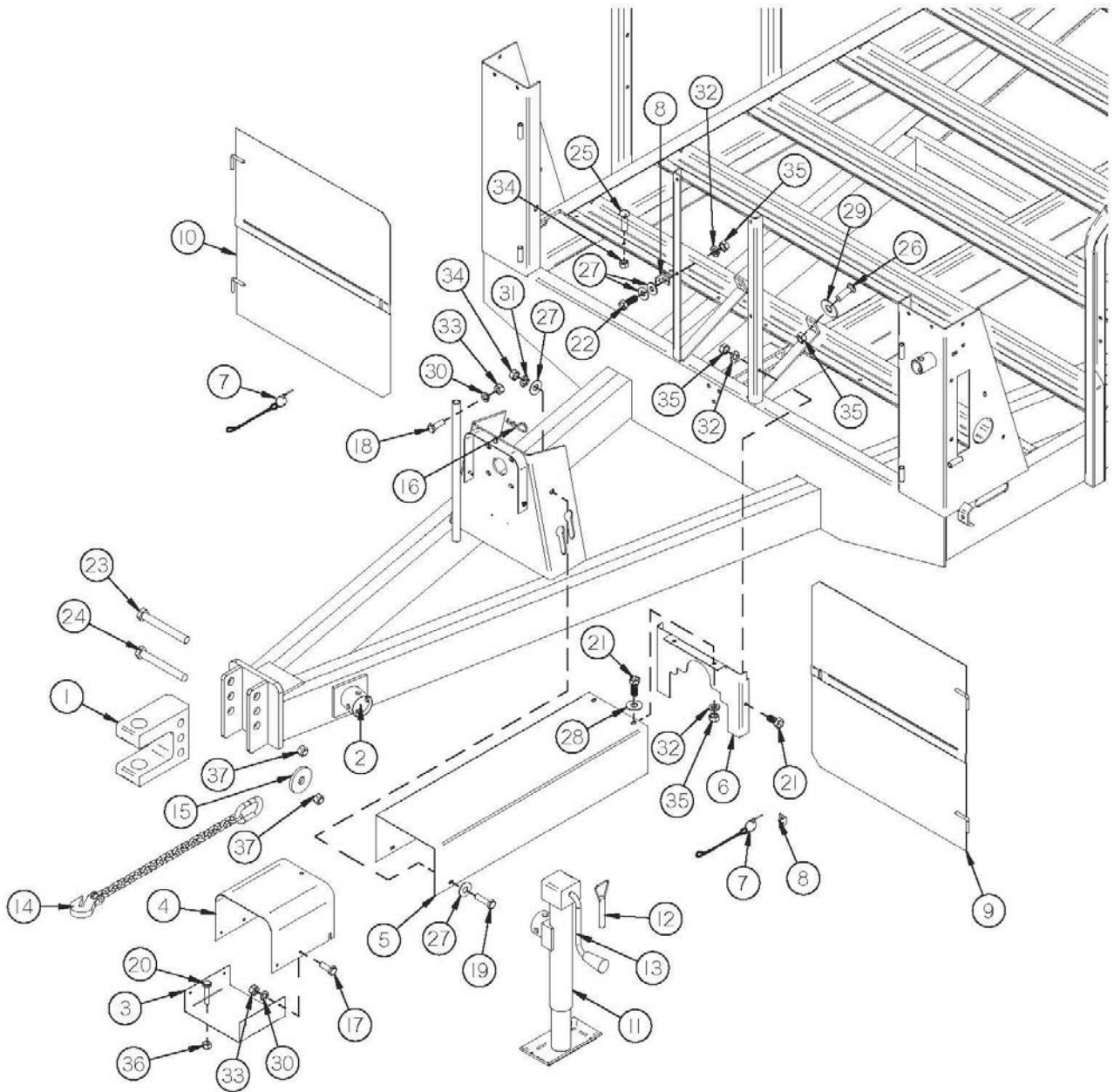


FIGURE 4

FRONT SHIELD

<u>ITEM</u>	<u>QTY</u>	<u>PART #</u>	<u>DESCRIPTION</u>
1	1	56N1	HITCH
*	1	56N189	HITCH - SMALL HOLE (OPTIONAL)
2	1	56N2	JACK MOUNT
3	1	16SV327	PTO SHIELD BOTTOM
4	1	16SV329	PTO SHIELD
5	1	56N3	JACK SHAFT SHIELD
6	1	56N4	INPUT SHIELD MOUNT
7	2	S122	LYNCH PIN W/LANYARD
8	2	56N146	SHIELD ANGLE
9	1	56N5	FRONT SHIELD LEFT
10	1	56N6	FRONT SHIELD RIGHT
11	1	TS306	JACK
12	1	56N8	JACK PIN & CHAIN
13	1	56N9	JACK HANDLE
14	1	WM367	SAFETY CHAIN (OPTIONAL)
15	1	56N179	SAFETY CHAIN SPACER
16	1	YPHR02005	HAIR PIN
17	4	YBHH08015	BOLT HEX, 1/4 X 1/2 G5
18	2	YBHH08100	BOLT HEX, 1/4 X 3/4 G5
19	2	YBHH10010	BOLT HEX, 5/16 X 1 G5
20	4	YBHH10030	BOLT HEX, 5/16 X 1-1/2 G5
21	4	YBHH12135	BOLT HEX, 3/8 X 3/4 G5
22	2	YBHH12010	BOLT HEX, 3/8 X 1 G5
23	1	YBHH32027	BOLT HEX, 1 X 6-1/2 G5
24	1	YBHH32033	BOLT HEX, 1 X 7-1/2 G5
25	10	YBCR10010	BOLT CARRIAGE, 5/16 X 1 G5
26	2	YBCR12015	BOLT CARRIAGE, 3/8 X 1-1/2 G5
27	8	YWFL10005	WASHER FLAT, 5/16 USS
28	2	YWFL12005	WASHER FLAT, 3/8 USS
29	2	YWFL16005	WASHER FLAT, 1/2 USS
30	6	YWLO08005	WASHER LOCK, 1/4
31	2	YWLO10005	WASHER LOCK, 5/16
32	6	YWLO12005	WASHER LOCK, 3/8 USS
33	6	YNHX08005	NUT HEX, 1/4
34	12	YNHX10005	NUT HEX, 5/16
35	8	YNHX12005	NUT HEX, 3/8
36	4	YNTL10005	NUT HEX, TOP LOCK, 5/16
37	2	YNTL32005	NUT HEX, TOP LOCK, 1

NOTE: * MEANS NOT SHOWN

FIGURE 5
RIGHT SIDE FLARE

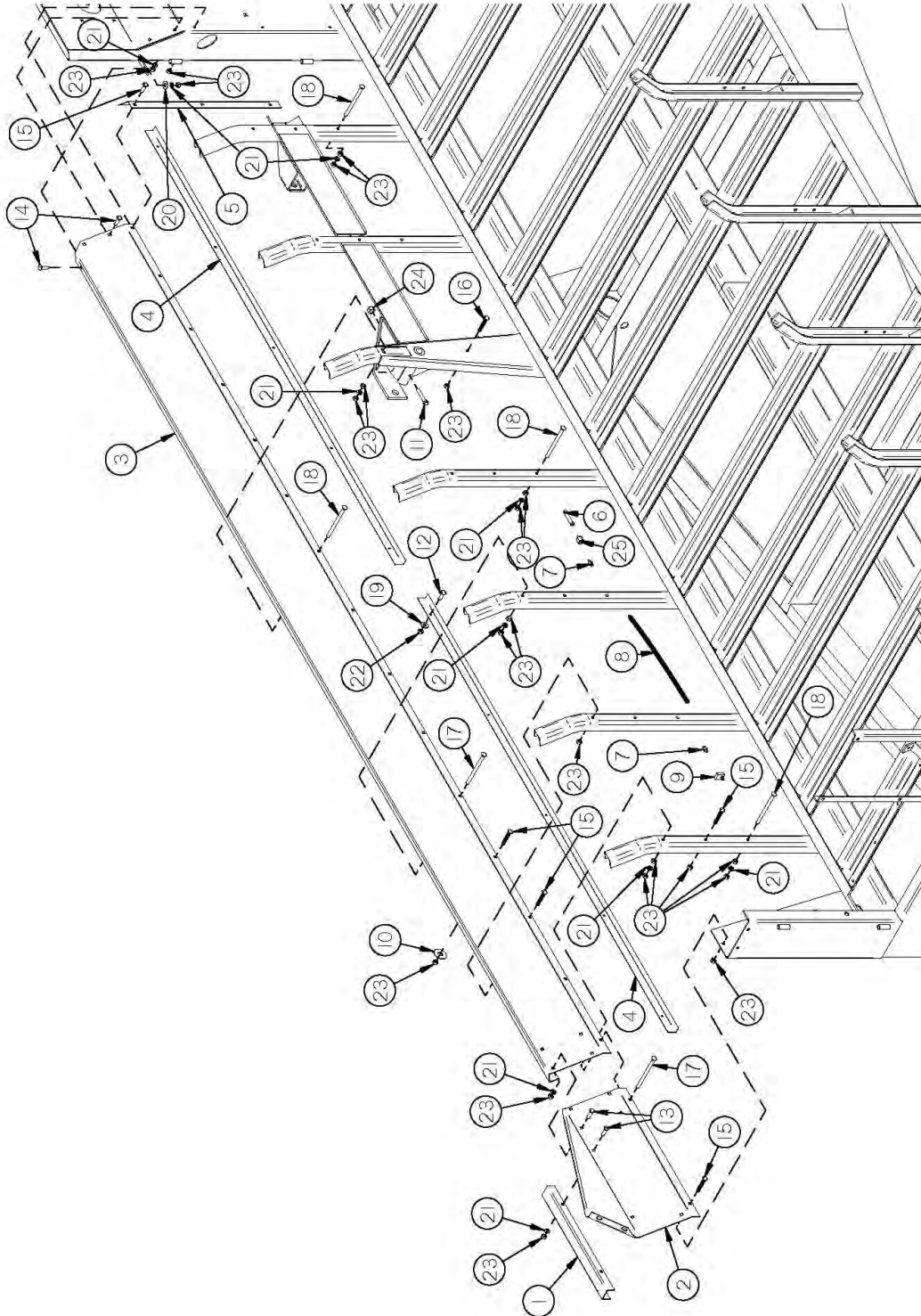


FIGURE 5

RIGHT SIDE FLARE

<u>ITEM</u>	<u>QTY</u>	<u>PART #</u>	<u>DESCRIPTION</u>
1	1	56N10	FLARE EXTENSION
2	1	56N12	SIDE FLARE EXTENSION RH
3	1	56N14	SIDE FLARE RH
4	2	56N15	GALVANIZED ANGLE
5	1	56N29	SIDE POLY HOLDER RH
6	1	66077	MALE PIPE NIPPLE, 1/8 X 2-1/2
7	2	S47	GREASE FITTING
8	1	56N138	GREASE LINE
9	1	16V9	GREASE BRACKET
10	7	YWCU12005	WASHER, CUSTOM, FLAT, .435 ID. X 1-7/8 OD. X .125 THICK
11	1	YBHH12105	BOLT HEX, FULL THREAD, 3/8 X 2-1/4 G5
12	9	YBCR08005	BOLT CARRIAGE, 1/4 X 1
13	6	YBCR12065	BOLT CARRIAGE, 3/8 X 3/4 G5
14	3	YBCR12010	BOLT CARRIAGE, 3/8 X 1 G5
15	22	YBCR12015	BOLT CARRIAGE, 3/8 X 1-1/2 G5
16	1	YBCR12080	BOLT CARRIAGE, 3/8 X 3-1/4 G5
17	2	YBCR12095	BOLT CARRIAGE, 3/8 X 4 G5
18	4	YBCR12105	BOLT CARRIAGE, 3/8 X 4-1/2 G5
19	10	YWFL08005	WASHER FLAT, 1/4 USS
20	1	YWFL12005	WASHER FLAT, 3/8 USS
21	15	YWLO12005	WASHER LOCK, 3/8 USS
22	10	YNHX08005	NUT HEX, 1/4
23	44	YNHX12005	NUT HEX, 3/8
24	1	YNTL12005	NUT HEX, TOP LOCK, 3/8
25	1	66079	HEX ADAPTER, 1/4 FEMALE & 1/8 FEMALE PIPE

FIGURE 6
LEFT SIDE FLARE

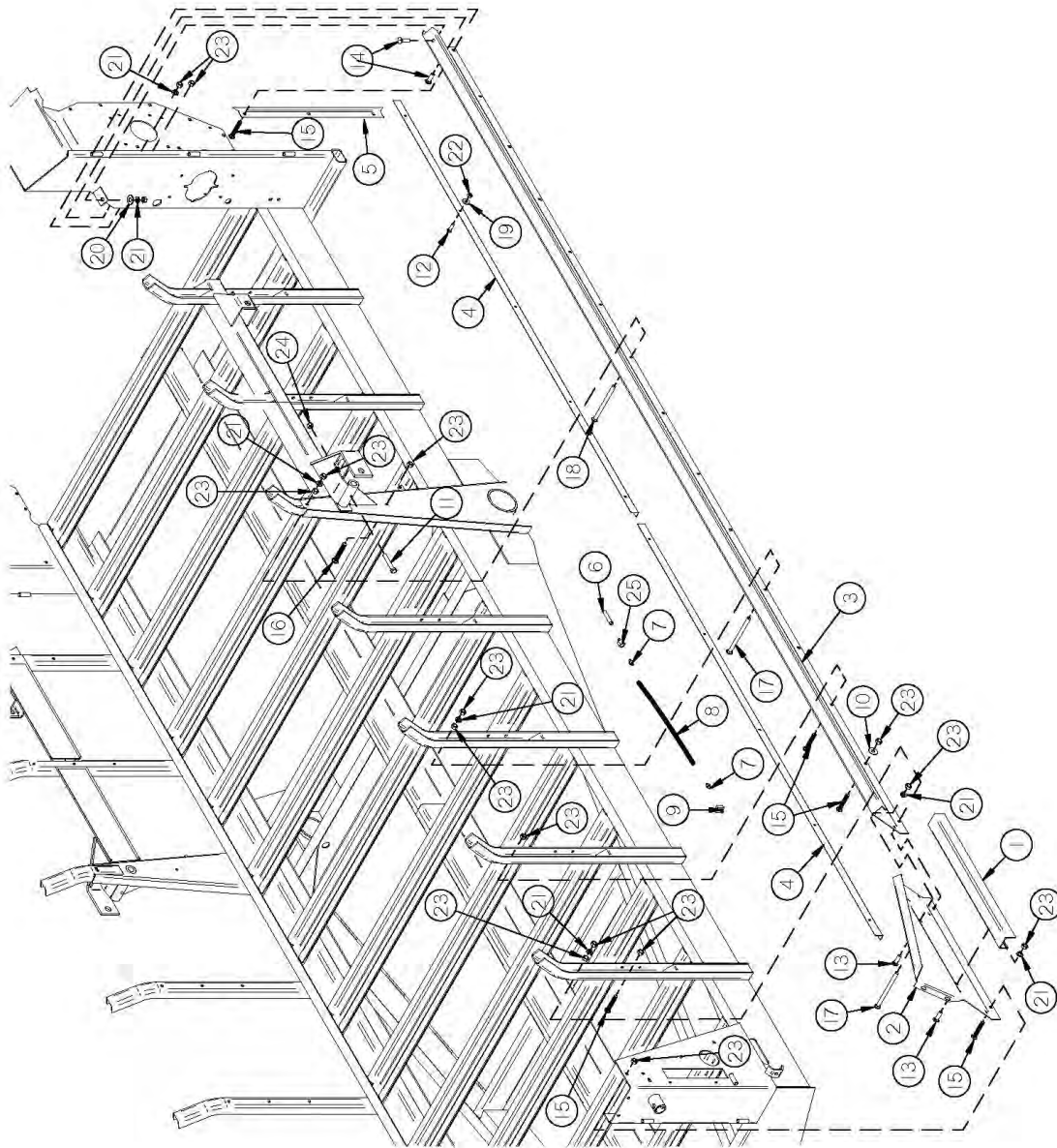


FIGURE 6

LEFT SIDE FLARE

<u>ITEM</u>	<u>QTY</u>	<u>PART #</u>	<u>DESCRIPTION</u>
1	1	56N10	FLARE EXTENSION
2	1	56N11	SIDE FLARE EXTENSION LH
3	1	56N13	SIDE FLARE LH
4	2	56N15	GALVANIZED ANGLE
5	1	56N28	SIDE POLY HOLDER LH
6	1	66077	MALE PIPE NIPPLE, 1/8 X 2-1/2
7	2	S47	GREASE FITTING
8	1	56N138	GREASE LINE
9	1	16V9	GREASE BRACKET
10	7	YWCU12005	WASHER, CUSTOM, FLAT, .435" ID. X 1-7/8" OD. X .125 THICK
11	1	YBHH12105	BOLT HEX, FULL THREAD, 3/8 X 2-1/4 G5
12	9	YBCR08005	BOLT CARRIAGE, 1/4 X 1
13	6	YBCR12065	BOLT CARRIAGE, 3/8 X 3/4 G5
14	3	YBCR12010	BOLT CARRIAGE, 3/8 X 1 G5
15	25	YBCR12015	BOLT CARRIAGE, 3/8 X 1-1/2 G5
16	1	YBCR12080	BOLT CARRIAGE, 3/8 X 3-1/4 G5
17	2	YBCR12095	BOLT CARRIAGE, 3/8 X 4 G5
18	1	YBCR12105	BOLT CARRIAGE, 3/8 X 4-1/2 G5
19	10	YWFL08005	WASHER FLAT, 1/4 USS
20	1	YWFL12005	WASHER FLAT, 3/8 USS
21	12	YWLO12005	WASHER LOCK, 3/8 USS
22	10	YNHX08005	NUT HEX, 1/4
23	41	YNHX12005	NUT HEX, 3/8
24	1	YNTL12005	NUT HEX, TOP LOCK, 3/8
25	1	66079	HEX ADAPTER, 1/4 FEMALE & 1/8 FEMALE PIPE

FIGURE 7

REAR SHIELDS

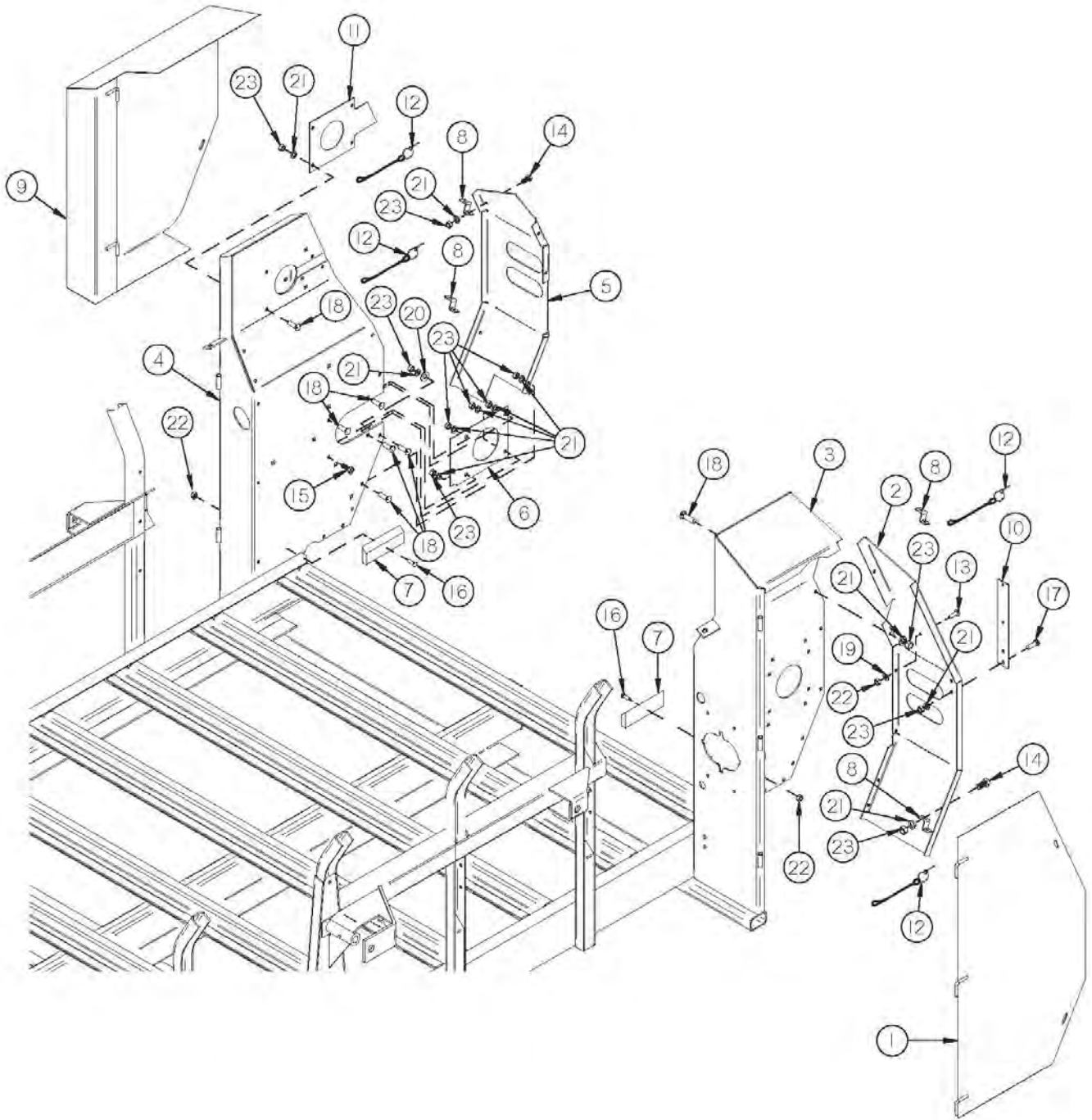


FIGURE 7

REAR SHIELDS

<u>ITEM</u>	<u>QTY</u>	<u>PART #</u>	<u>DESCRIPTION</u>
1	1	56N25	REAR SHIELD
2	1	56N161	MAIN PANEL END LH
3	1	56N27	MAIN PANEL LH
4	1	56N30	MAIN PANEL RH
5	1	56N162	MAIN PANEL END RH
6	1	56N32	BEARING PLATE
7	2	56N33	PLYWOOD BLOCK
8	4	F69	SHIELD BRACKET
9	1	56N34	APRON SHIELD
10	1	56N159	SMV BRACKET
11	1	56N176	SLOT COVER
12	4	S122	LYNCH PIN W/LANYARD
13	1	YBHH08100	BOLT HEX, 1/4 X 3/4 G5
14	4	YBHH12135	BOLT HEX, 3/8 X 3/4 G5
15	1	YBHH12010	BOLT HEX, 3/8 X 1 G5
16	2	YBCR08010	BOLT CARRIAGE, 1/4 X 1-1/2
17	2	YBCR12065	BOLT CARRIAGE, 3/8 X 3/4 G5
18	16	YBCR12010	BOLT CARRIAGE, 3/8 X 1 G5
19	1	YWLO08005	WASHER LOCK, 1/4
20	1	YWFL12005	WASHER FLAT, 3/8 USS
21	23	YWLO12005	WASHER LOCK, 3/8 USS
22	3	YNHX08005	NUT HEX, 1/4
23	23	YNHX12005	NUT HEX, 3/8

FIGURE 8
BEATER DRIVE TRAIN



FIGURE 8

BEATER DRIVE TRAIN

<u>ITEM</u>	<u>QTY</u>	<u>PART #</u>	<u>DESCRIPTION</u>
1	2	12V99	BEARING
2	2	12V62	SNAP RING
3	1	56N35	INPUT SHAFT
4	1	S138	KEY W/ ROUND ENDS, 3/8 X 2-3/8
5	1	56N36	INPUT PVC SHIELD
6	1	PB87	KEY, 3/8 X 2
7	1	56N37	JACK SHAFT BRACKET
8	1	56N38	TIGHTENER ROD
9	1	F129	TIGHTENER WASHER
10	1	12V104	SPROCKET (20T)
11	1	56N39	SIDE PVC SHIELD FRONT
12	1	56N40	SIDE PVC SHIELD FRONT CENTER
13	3	56N41	BEARING BRACKET
14	2	56N42	SHIELD TAB
15	4	16SV72	PILLOW BLOCK BEARING
16	1	56N43	SIDE PVC SHIELD BACK CENTER
17	1	56N44	SIDE PVC SHIELD BACK
18	1	56N45	SHIELD TAB BACK
19	1	56N46	SIDE SHAFT
20	1	56N47	BEARING STANDOFF
21	1	56N48	SIDE SHAFT SPROCKET (80-B-30)
22	1	56N49	FRONT SHIELD
23	1	56N50	SIDE SHIELD FRONT
24	1	56N51	SIDE SHIELD BACK
25	1	56N52	PRIMARY DRIVE CHAIN (#80 x 119P)
26	1	F157	CONNECTOR LINK (#80)
27	1	56N53	GALVANIZED COVER

FIGURE 8
BEATER DRIVE TRAIN

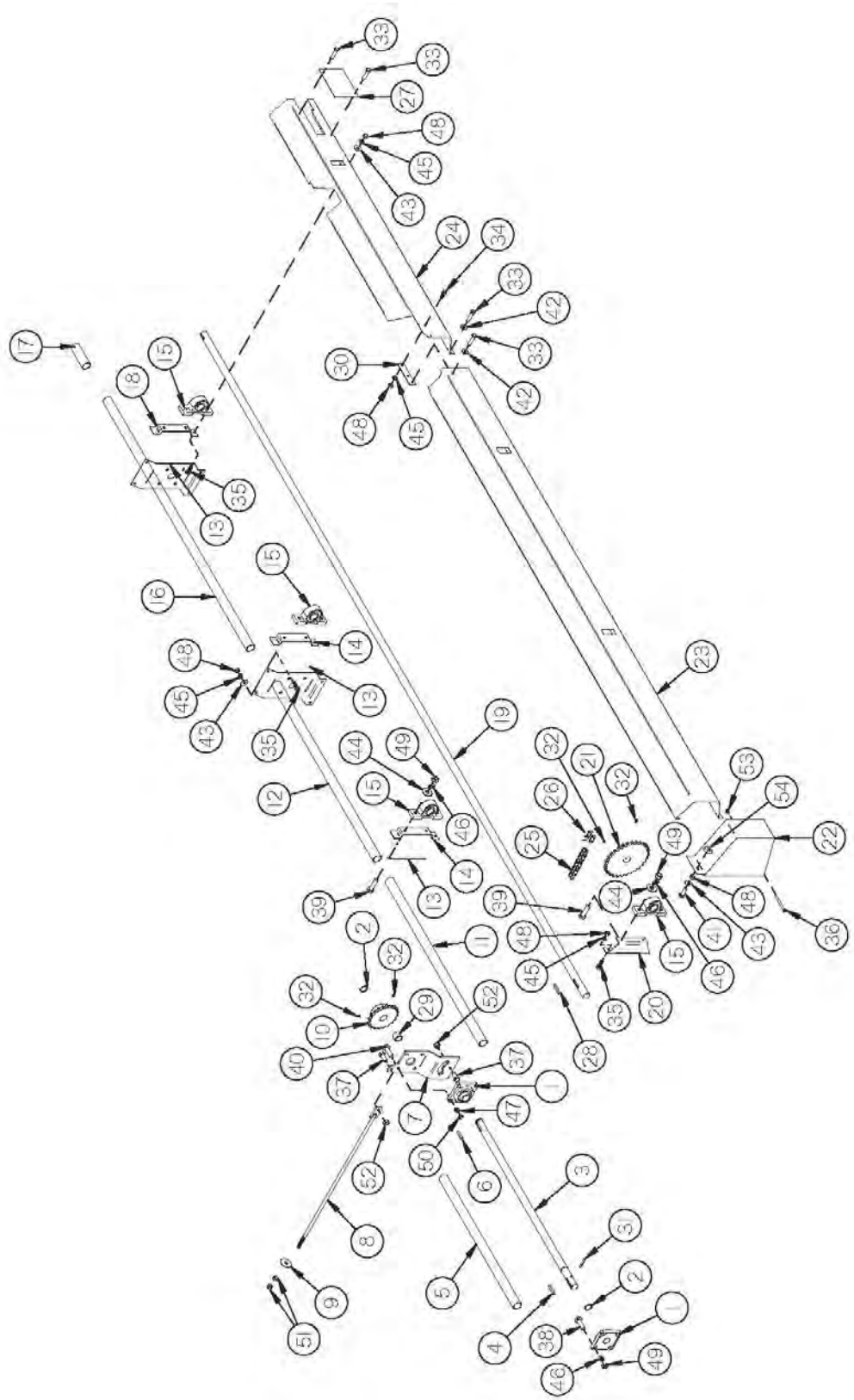


FIGURE 8

BEATER DRIVE TRAIN

<u>ITEM</u>	<u>QTY</u>	<u>PART #</u>	<u>DESCRIPTION</u>
28	1	PB136	KEY W/ ROUND ENDS, 3/8 X 2
29	1	56N61	FRONT SPROCKET SPACER
30	1	56N151	SHIELD TAB
31	1	YPEX12022	EXPANSION PIN, 3/8 X 2-3/8
32	4	YSKP12010	SET SCREW, KNURLED, 3/8 X 1/2
33	4	YSHW10005	THREAD CUTTING SCREW, HEX WASHER HEAD SLOTTED, TYPE "F"
34	2	YBHH12135	BOLT HEX, 3/8 X 3/4 G5
35	11	YBHH12010	BOLT HEX, 3/8 X 1 G5
36	1	YBHH12185	BOLT HEX, 3/8 X 4-1/2 G5
37	2	YBHH16045	BOLT HEX, 1/2 X 1-1/4 G5
38	4	YBHH16030	BOLT HEX, 1/2 X 1-1/2 G5
39	8	YBHH16055	BOLT HEX, 1/2 X 1-3/4 G5
40	4	YBHH18005	BOLT HEX, 9/16 X 1-1/2 G5
41	1	YBCR12030	BOLT CARRIAGE, 3/8 X 1-3/4 G5
42	2	YWFL10005	WASHER FLAT, 5/16 USS
43	10	YWFL12005	WASHER FLAT, 3/8 USS
44	8	YWFL16005	WASHER FLAT, 1/2 USS
45	13	YWLO12005	WASHER LOCK, 3/8
46	12	YWLO16005	WASHER LOCK, 1/2
47	4	YWLO18005	WASHER LOCK, 9/16
48	14	YNHX12005	NUT HEX, 3/8
49	12	YNHX16005	NUT HEX, 1/2
50	4	YNHX18005	NUT HEX, 9/16
51	2	YNHX20005	NUT HEX, 5/8
52	2	YNRL16005	NUT HEX, REVERSIBLE-SIDE LOCK, 1/2
53	1	YNTL12005	NUT HEX, TOP LOCK, 3/8
54	1	YNWG12005	NUT WING, 3/8

FIGURE 9

BEATER DRIVE



FIGURE 9

BEATER DRIVE

<u>ITEM</u>	<u>QTY</u>	<u>PART #</u>	<u>DESCRIPTION</u>
1	2	G139	KEY, 3/8 X 1-1/2
2	2	50N178	LOCK COLLAR
3	1	16SV69	KEYED CLUTCH
4	1	16SV71	SPLINED CLUTCH
5	1	43NW17	CLUTCH SPRING
6	1	56N54	COMPLETE GEAR BOX
7	1	56N55	GEAR BOX MOUNT
8	1	56N56	GEAR BOX SPROCKET (80-B-16)
*	1	56N167	GEAR BOX SPROCKET (80-B-19) (OPTIONAL)
9	1	56N57	GEAR BOX MOUNT TOP
10	2	12V52	BEARING
11	2	12V77	IDLER SPROCKET W/ BEARING (80-A-12)
12	2	56N58	BEATER TIGHTENER PRIMARY
13	1	10R14	SPRING
14	1	56N160	SPRING HOLDER
15	1	R27	SPRING
16	1	16SV70	BRONZE BUSHING
17	1	56N150	SECOND BEATER TIGHTENER SPACER
18	1	56N149	BEATER TIGHTENER SPACER
19	1	F31	CABLE LOOP W/ NUT
20	4	YSKP12010	SET SCREW, KNURLED, 3/8 X 1/2
21	4	YBHH12010	BOLT HEX, 3/8 X 1 G5
22	4	YBHH16045	BOLT HEX, 1/2 X 1-1/4 G5
23	2	YBHH16065	BOLT HEX, 1/2 X 2 G5
24	8	YBHH20015	BOLT HEX, 5/8 X 1-1/4 G5
25	1	YBHH24050	BOLT HEX, 3/4 X 3 G5
26	1	YBHH24055	BOLT HEX, 3/4 X 3-1/2 G5
27	7	YBCR12010	BOLT CARRIAGE, 3/8 X 1 G5
28	1	YBTE08005	TURNUED EYE BOLT, 1/4 X 1 FULL THREAD
29	7	YWFL10005	WASHER FLAT, 5/16 USS
30	2	YWFL16005	WASHER FLAT, 1/2 USS
31	1	YWFL24005	WASHER FLAT, 3/4 USS
32	1	YWLO08005	WASHER LOCK, 1/4
33	11	YWLO12005	WASHER LOCK, 3/8
34	4	YWLO16005	WASHER LOCK, 1/2
35	8	YWLO20005	WASHER LOCK, 5/8
36	1	YNHX08005	NUT HEX, 1/4
37	11	YNHX12005	NUT HEX, 3/8
38	5	YNHX16005	NUT HEX, 1/2
39	1	YNNJ24005	NUT HEX, NYLON JAM LOCKNUT, 3/4
40	2	YNTL16005	NUT HEX, TOP LOCK, 1/2
41	2	YNTL24005	NUT HEX, TOP LOCK, 3/4

NOTE: * MEANS NOT SHOWN

FIGURE 10
TOP BEATER

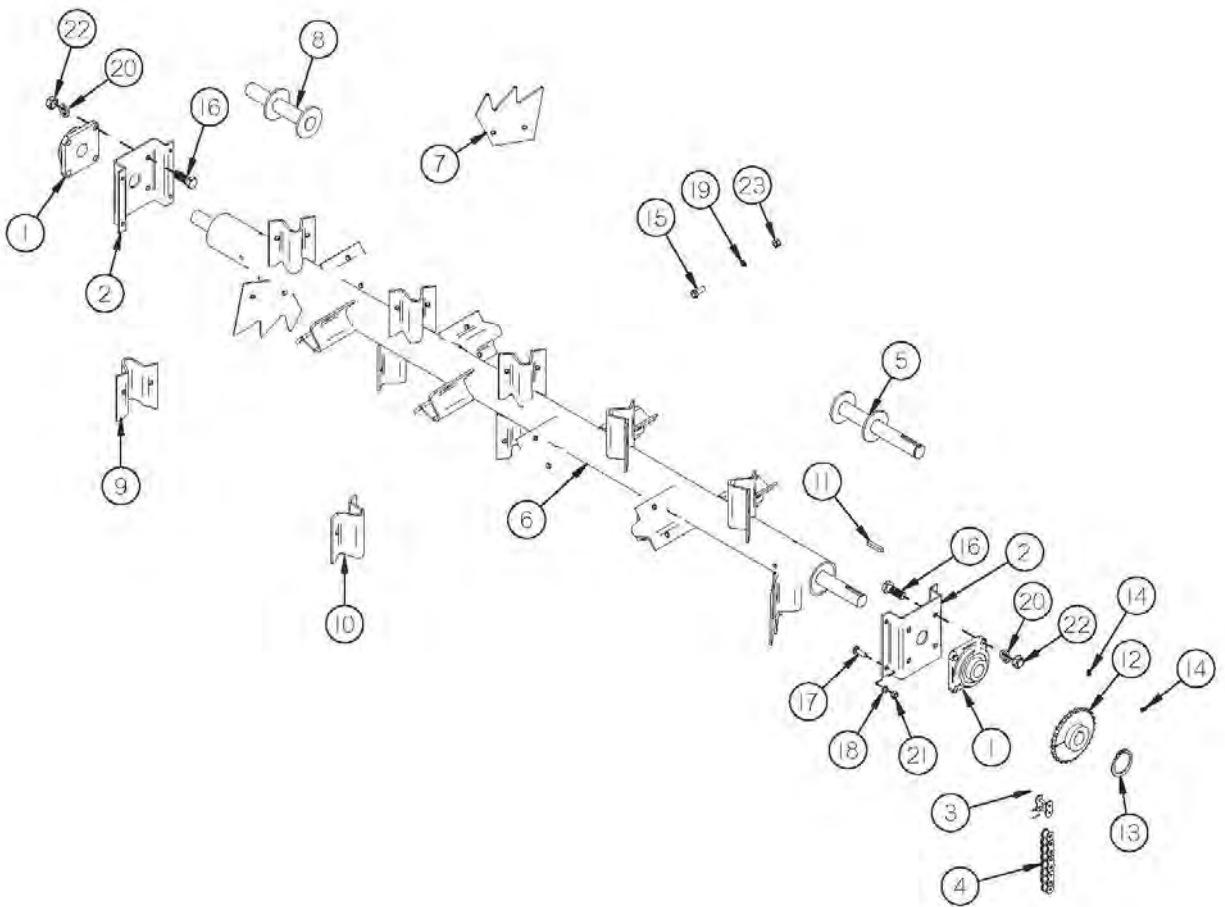


FIGURE 10

TOP BEATER

<u>ITEM</u>	<u>QTY</u>	<u>PART #</u>	<u>DESCRIPTION</u>
1	2	12V99	BEARING
2	2	56N68	BEATER BEARING MOUNT
3	1	F157	CONNECTOR LINK (#80)
4	1	56N75	BOTTOM BEATER TO TOP CHAIN (#80 X 73P)
5	1	56N78	SECOND BEATER DRIVE SHAFT
6	1	56N79	SECOND BEATER
7	18	45N27	SECOND BEATER BLADE
8	1	56N80	SECOND BEATER STUB SHAFT
9	9	56N116	BLADE HOLDER LEFT
10	9	56N117	BLADE HOLDER RIGHT
11	1	PB136	KEY W/ ROUND ENDS, 3/8 X 2
12	1	12V104	BEATER SPROCKET (80-B-20)
13	1	12V62	SNAP RING
14	2	YSKP12025	SET SCREW, SOCKET, KNURLED CUP PT, 3/8 X 3/8
15	36	YBHH16045	BEATER BLADE BOLT, 1/2 X 1-1/4 G5
16	8	YBHH18005	BOLT HEX, 9/16 X 1-1/2 G5
17	4	YBCR12010	BOLT CARRIAGE, 3/8 X 1 G5
18	4	YWLO12005	WASHER LOCK, 3/8
19	36	YWLO16005	WASHER LOCK, 1/2
20	8	YWLO18005	WASHER LOCK, 9/16
21	4	YNHX12005	NUT HEX, 3/8
22	8	YNHX18005	NUT HEX, 9/16
23	36	YNTL16005	NUT HEX, TOP LOCK, 1/2

FIGURE 11
BOTTOM BEATER

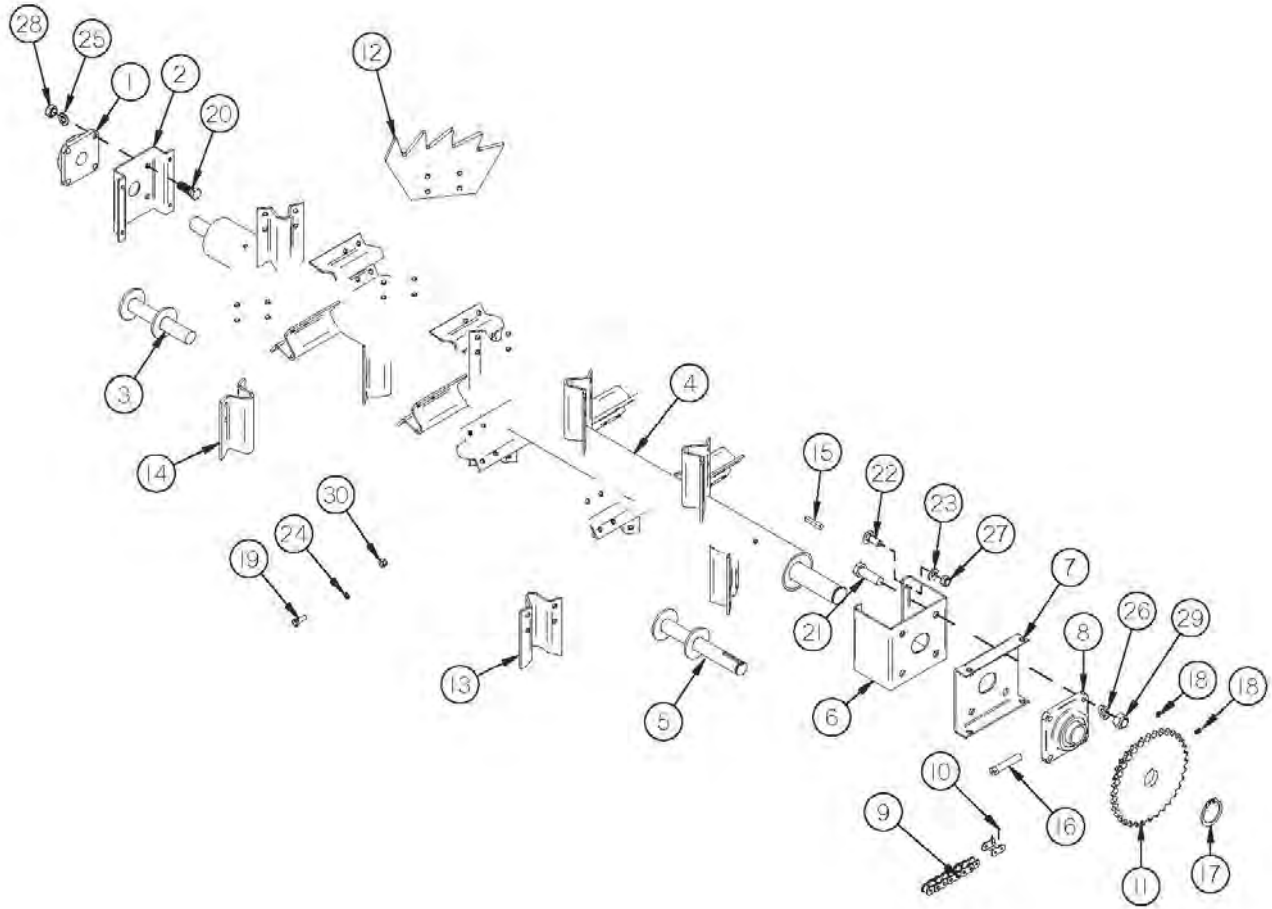


FIGURE 11

BOTTOM BEATER

<u>ITEM</u>	<u>QTY</u>	<u>PART #</u>	<u>DESCRIPTION</u>
1	1	12V99	BEARING
2	1	56N68	BEATER BEARING MOUNT
3	1	56N69	BEATER STUB SHAFT
4	1	56N70	BEATER
5	1	56N71	BEATER DRIVE SHAFT
6	1	56N72	BEATER BEARING STAND OFF
7	1	56N73	BEATER BEARING MOUNT LEFT
8	1	56N74	BEARING
9	1	56N77	GEAR BOX TO BEATER CHAIN (#80 X 52P)
*	1	56N169	GEAR BOX TO BEATER CHAIN (#80 X 55P) (OPTIONAL)
10	1	F157	CONNECTOR LINK (#80)
11	1	56N76	BEATER SPROCKET (80-A-34 & 80-B-20)
12	18	56N140	BEATER BLADE
13	9	23N3	BLADE HOLDER LEFT
14	9	23N4	BLADE HOLDER RIGHT
15	1	PB136	KEY W/ ROUND ENDS, 3/8 X 2
16	1	16SV26	PIPE GREASE ZERK
17	1	8003	SNAP RING
18	2	YSKP12025	SET SCREW, SOCKET, KNURLED CUP PT, 3/8 X 3/8
19	72	YBHH16070	BOLT HEX, 1/2 X 2 G8
20	4	YBHH18005	BOLT HEX, 9/16 X 1-1/2 G5
21	4	YBHH24035	BOLT HEX, 3/4 X 2-1/4 G5
22	4	YBCR12010	BOLT CARRIAGE, 3/8 X 1 G5
23	4	YWLO12005	WASHER LOCK, 3/8
24	72	YWLO16005	WASHER LOCK, 1/2
25	4	YWLO18005	WASHER LOCK, 9/16
26	4	YWLO24005	WASHER LOCK, 3/4
27	4	YNHX12005	NUT HEX, 3/8
28	4	YNHX18005	NUT HEX, 9/16
29	4	YNHX24005	NUT HEX, 3/4
26	72	YNTL16005	NUT HEX, TOP LOCK, 1/2

NOTE: * MEANS NOT SHOWN

FIGURE 12
ENDGATE

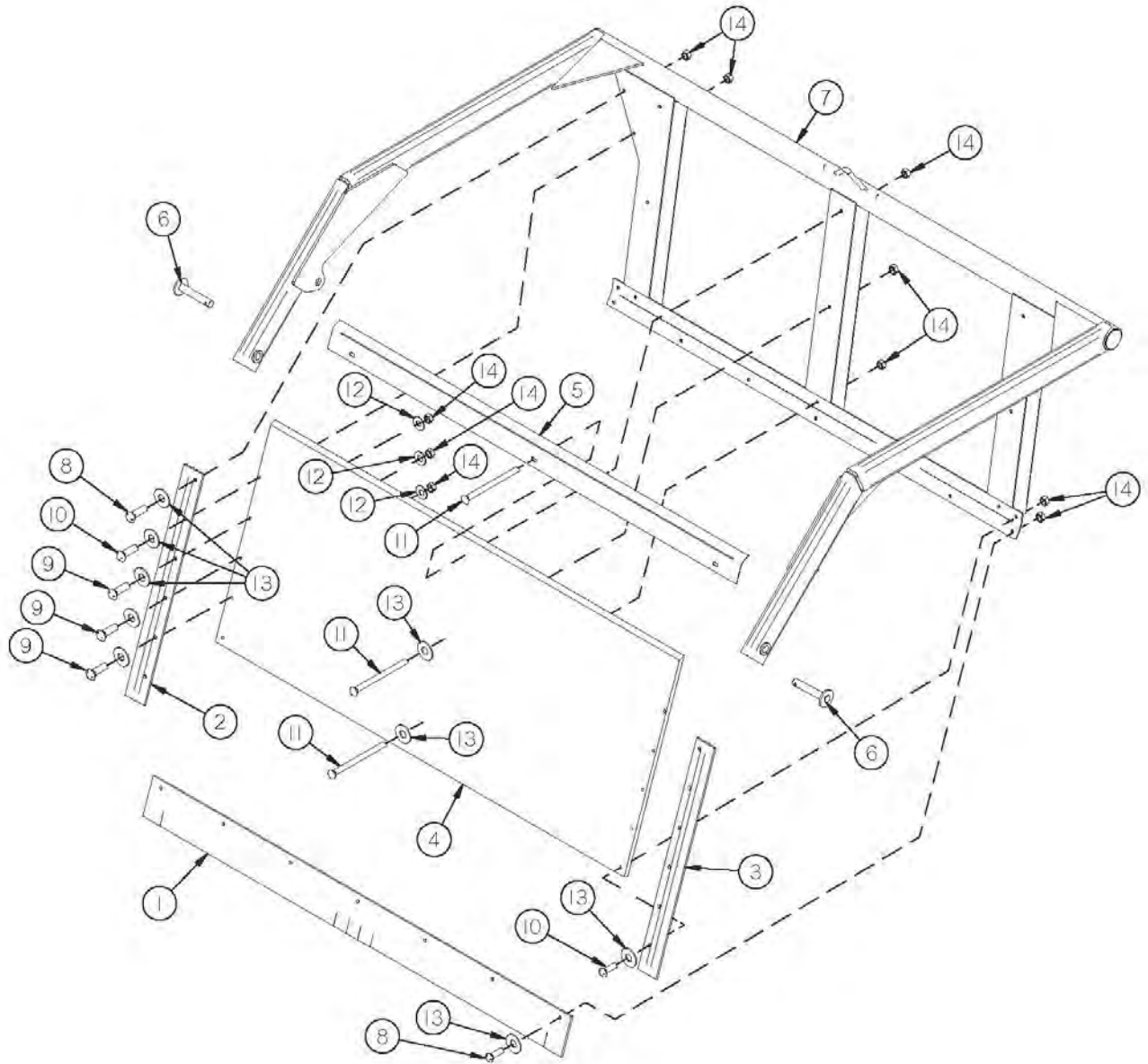


FIGURE 12

ENDGATE

<u>ITEM</u>	<u>QTY</u>	<u>PART #</u>	<u>DESCRIPTION</u>
1	1	56N62	TAILGATE RUBBER
2	1	56N63	TAILGATE RUBBER RIGHT
3	1	56N64	TAILGATE RUBBER LEFT
4	1	56N65	ENDGATE PLYWOOD
5	1	56N66	PLYWOOD HOLDOWN
6	2	56N163	ENDGATE HINGE PIN
7	1	56N67	TAILGATE
8	9	YBCR12010	BOLT CARRIAGE, 3/8 X 1 G5
9	6	YBCR12015	BOLT CARRIAGE, 3/8 X 1-1/2 G5
10	4	YBCR12030	BOLT CARRIAGE, 3/8 X 1-3/4 G5
11	9	YBCR12105	BOLT CARRIAGE, 3/8 X 4-1/2 G5
12	6	YWFL12005	THREAD WASHER FLAT, 3/8 USS
13	25	YWFL16005	WASHER FLAT, 1/2 USS
14	28	YNHX12005	NUT HEX, 3/8

FIGURE 13
HYDRAULICS

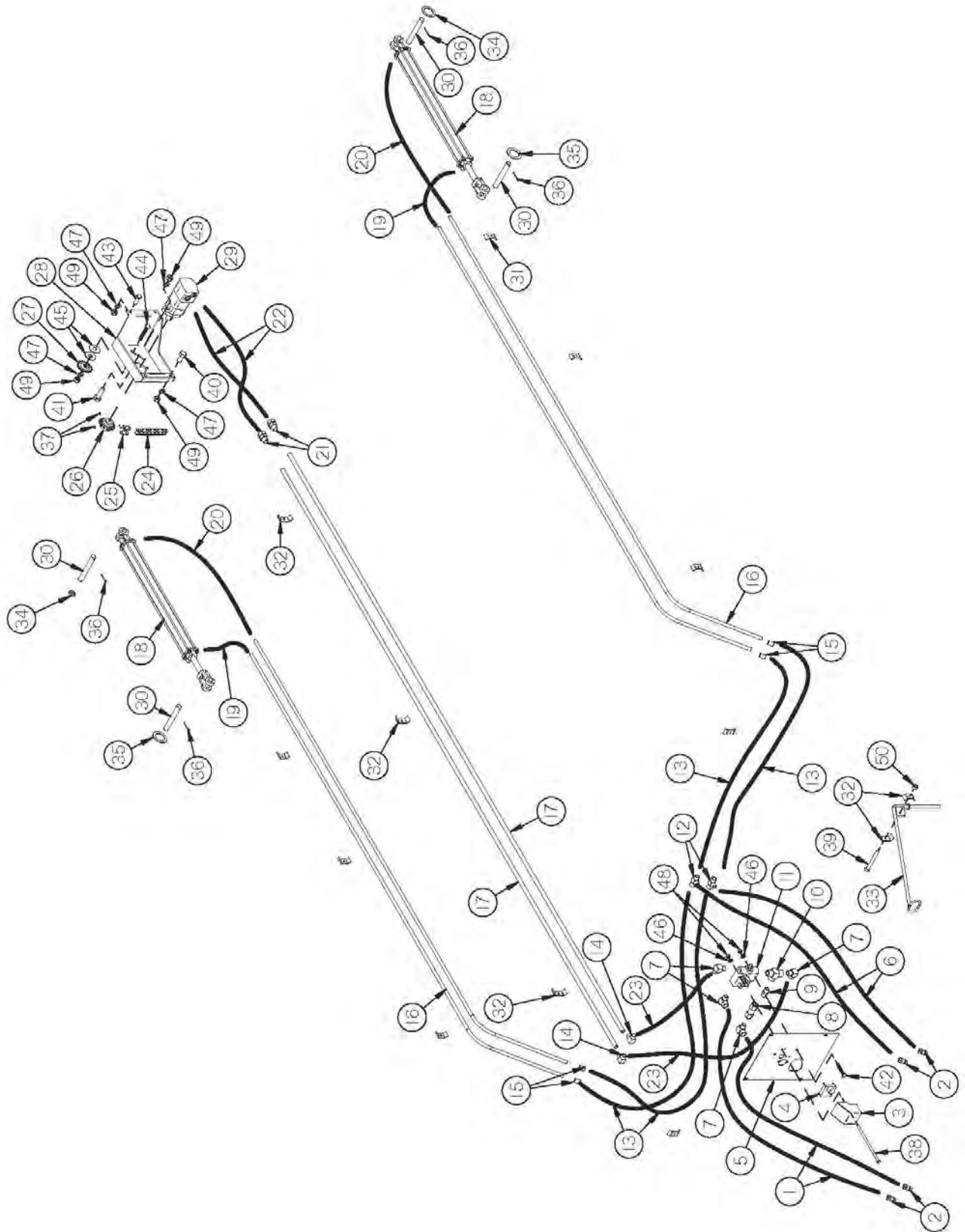


FIGURE 13

HYDRAULICS

<u>ITEM</u>	<u>QTY</u>	<u>PART #</u>	<u>DESCRIPTION</u>
1	1	56N81	HYDRAULIC HOSE, 3/4 X 120, 3/4 MP & 1/2 MP
2	4	DWM205	QUICK COUPLER MALE
3	1	43H1	MOTOR SHIELD/HOLDER
4	1	16SV246	GEAR MOTOR
5	1	56N82	HYDRAULIC CONTROL PANEL
6	1	56N83	HYDRAULIC HOSE, 3/8 X 132, 3/8 MP & 1/2 MP
7	4	STM39	STREET ELBOW, 3/4
8	1	PB185	CHECK VALVE, 3/4
9	1	56N118	CLOSE NIPPLE, 3/4
10	1	STM40	SERVICE TEE, 3/4
11	1	33SV74	FLOW CONTROL, 3/4
12	2	BFR74	TEE, 3/8
13	4	56N84	HYDRAULIC HOSE, 3/8 X 50, 3/8 MP & 3/8 MPX
14	2	56N119	ELBOW, 3/4
15	4	HE59	ELBOW, 3/8
16	4	56N85	HYDRAULIC PIPE
17	2	56N86	APRON HYDRAULIC LINE
18	2	56002	HYDRAULIC CYLINDER (2 X 20)
19	1	12V19	HYDRAULIC HOSE, 3/8 X 24
20	1	12V20	HYDRAULIC HOSE, 3/8 X 44
21	2	56N120	FEMALE UNION ADAPTER, 3/4
22	2	56N87	HYDRAULIC HOSE, 3/4 X 24, 3/4 MP & #10 O-RING
23	2	56N88	HYDRAULIC HOSE, 3/4 X 49, 3/4 MP & 3/4,MPX
24	1	56N89	DRIVE CHAIN (#60, 102P)
25	1	D39	CONNECTOR LINK (#60)

FIGURE 13
HYDRAULICS

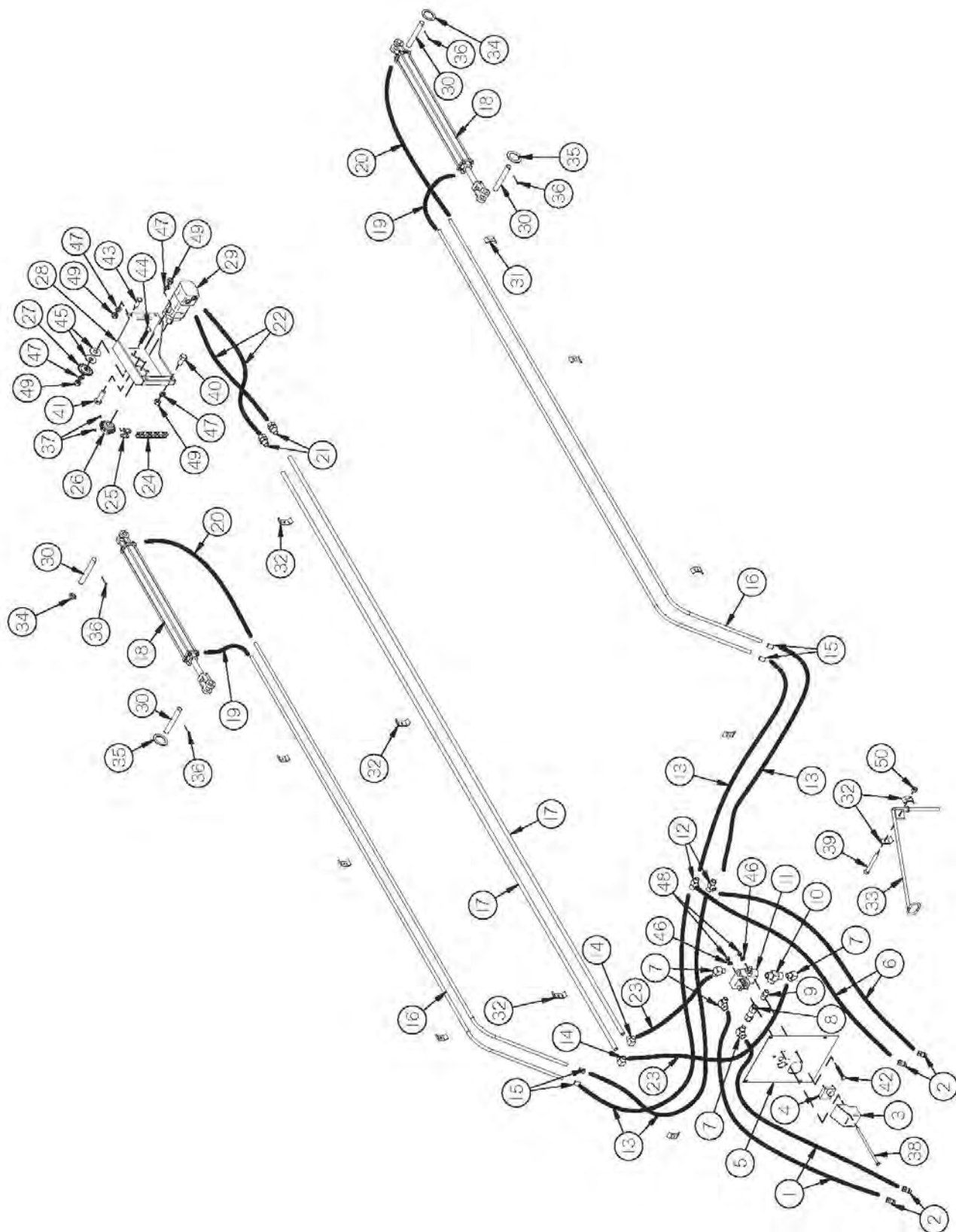


FIGURE 13

HYDRAULICS

<u>ITEM</u>	<u>QTY</u>	<u>PART #</u>	<u>DESCRIPTION</u>
26	1	56N90	MOTOR SPROCKET (60-C-14)
27	1	12N42	IDLER SPROCKET (15T)
28	1	56N91	APRON MOTOR MOUNT
29	1	16SV150	HYDRAULIC MOTOR 2000 SERIES
30	4	56N141	CYLINDER PIN
31	9	HE42	HOSE BRACKET
32	7	23N67	HOSE BRACKET
33	1	16SV332	HOSE HOLDER
34	A/R	56N184	SPACER
35	A/R	S345	SHIM
36	4	YPCT07005	COTTER PIN, 7/32 X 2
37	1	YSKP12025	SET SCREW, SOCKET, KNURLED CUP PT, 3/8 X 3/8
38	1	YBHH08125	BOLT, 1/4 X 6 G5
39	1	YBHH12125	BOLT, 3/8 X 3 G5 FULL THREAD
40	2	YBHH16010	BOLT, 1/2 X 1 G5
41	2	YBHH16030	BOLT, 1/2 X 1-1/2 G5
42	1	YBCR08025	BOLT CARRIAGE, 1/4 X 2-1/2 G5
43	2	YBCR16015	BOLT CARRIAGE, 1/2 X 1-1/4 G5
44	1	YBCR16030	BOLT CARRIAGE, 1/2 X 2-1/2 G5
45	2	YWFL16005	WASHER FLAT, 1/2
46	2	YWLO08005	WASHER LOCK, 1/4
47	7	YWLO16005	WASHER LOCK, 1/2
48	2	YNHX08005	NUT HEX, 1/4
49	7	YNHX16005	NUT HEX, 1/2
50	1	YNNY12005	NUT HEX, NYLON LOCKNUT, 3/8

NOTE: A/R MEANS AS REQUIRED

FIGURE 14
APRON GEARBOX

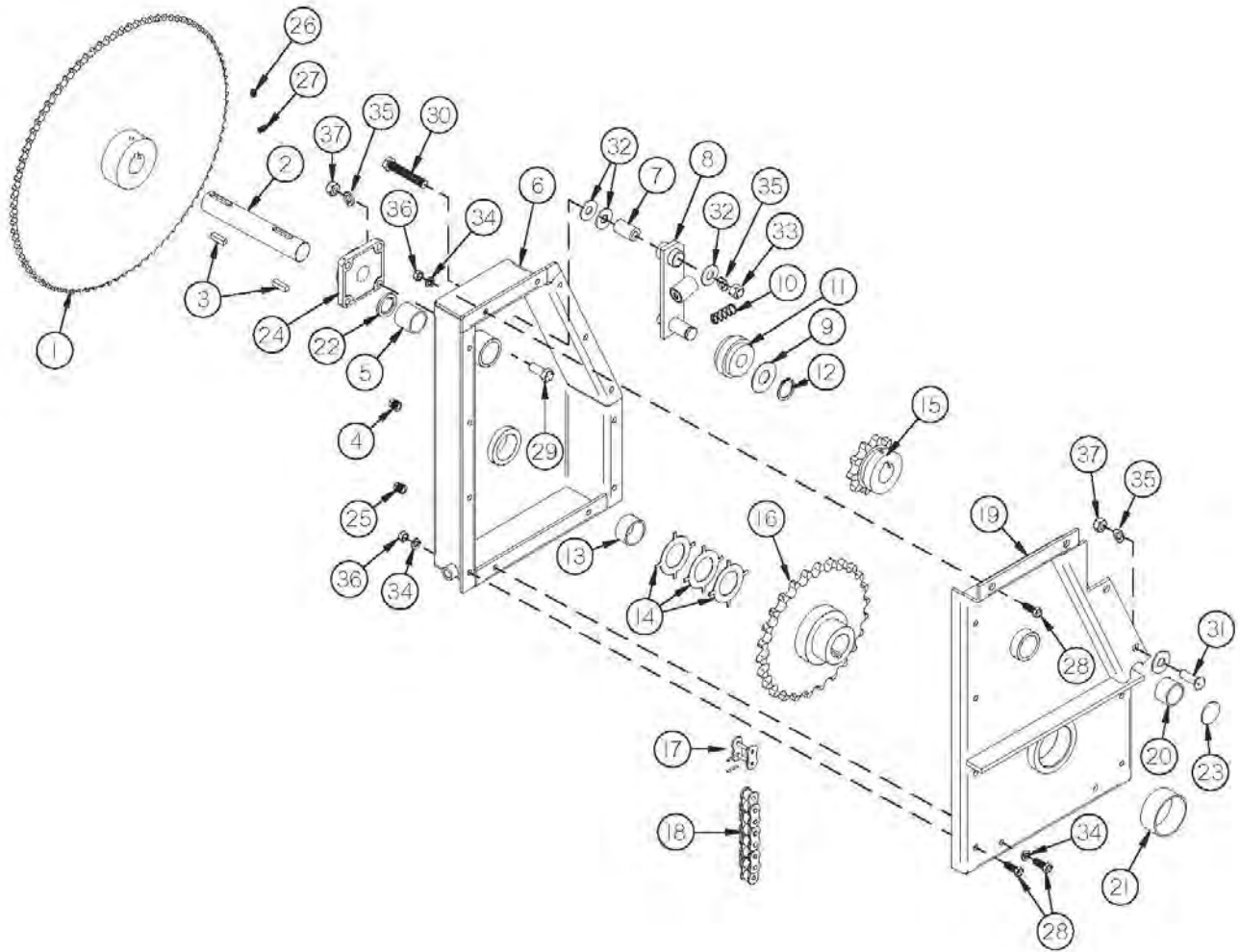


FIGURE 14

APRON GEARBOX

<u>ITEM</u>	<u>QTY</u>	<u>PART #</u>	<u>DESCRIPTION</u>
1	1	56N92	GEAR BOX DRIVE SPROCKET (60-B-90)
2	1	56N93	GEARBOX SHAFT
3	2	56N94	KEY, ROUND ENDS, 3/8 x 1-7/8
4	1	56N95	O-RING PLUG, 3/4
5	1	17G134	BRONZE BUSHING, 1-3/4 OD X 1-1/2 ID X 1-1/2
6	1	56N96	GEARBOX BASE
7	1	56N97	TIGHTENER AXLE
8	1	56N98	TIGHTENER
9	1	56N99	TIGHTENER WASHER
10	1	17G130	SPRING
11	1	IFB14	POLY CHAIN TIGHTENER
12	1	3G21	SNAP RING
13	1	56N100	BRONZE BUSHING, 2 OD X 1-3/4 ID X 1
14	3	56N101	FINAL DRIVE SHIM
15	1	33SV80I	SPROCKET (100-B-10)
16	1	56N102	FINAL DRIVE SPROCKET (100-C-26)
17	1	57866	CONNECTOR LINK (#100)
18	1	56N103	CHAIN (#100, 36P)
19	1	56N105	GEARBOX COVER
20	1	17G111	BRONZE BUSHING, 1-3/4 OD X 1-1/2 ID X 1
21	1	56N106	BRONZE BUSHING, 3-1/4 OD X 3 ID X 1.375
22	1	17G133	SEAL
23	1	17G139	FROST PLUG, 1-3/4
24	1	12V99	BEARING
25	1	G65	PLUG, 3/8 NPT
*	1	56N121	COMPLETE GEARBOX
26	1	YSKP12025	SET SCREW, SOCKET, KNURLED CUP PT, 3/8 X 3/8
27	1	YSFD12005	SET SCREW, SOCKET, FULL DOG PT, 3/8 X 3/4
28	13	YBHH12010	BOLT HEX, 3/8 X 1 G5
29	4	YBHH16045	BOLT HEX, 1/2 X 1-1/4 G5
30	1	YBHH16105	BOLT HEX, 1/2 X 3 G5
31	4	YBCR16015	BOLT CARRIAGE, 1/2 X 1-1/4 G5
32	3	YWFL16005	WASHER FLAT, 1/2 USS
33	1	YNL16005	NUT HEX, TOP LOCK, 1/2
34	13	YWLO12005	WASHER, LOCK, 3/8
35	9	YWLO16005	WASHER, LOCK, 1/2
36	11	YNHX12005	NUT HEX, 3/8
37	8	YNHX16005	NUT HEX, 1/2

NOTE: * MEANS NOT SHOWN

FIGURE 15

APRON CHAIN

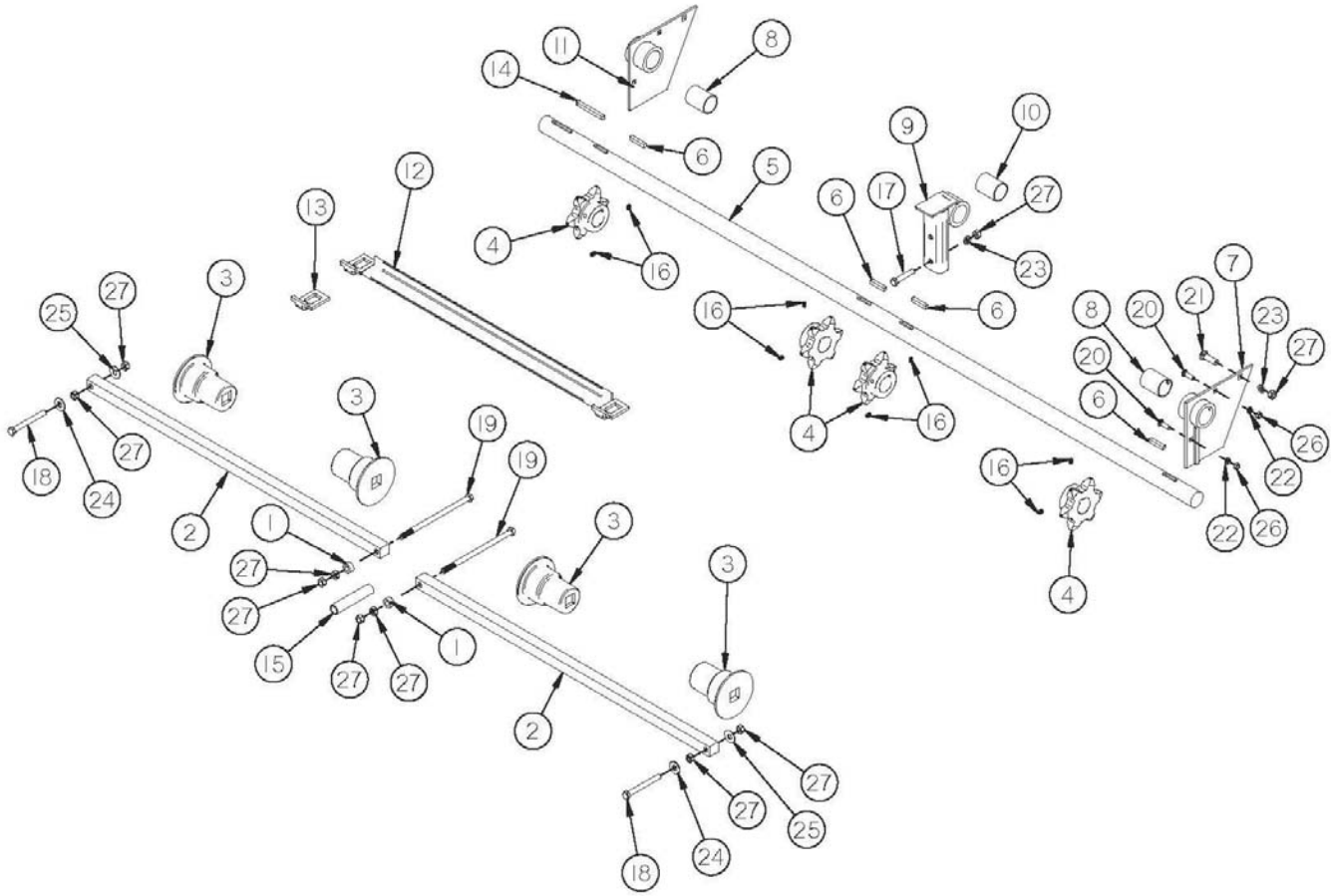


FIGURE 15

APRON CHAIN

<u>ITEM</u>	<u>QTY</u>	<u>PART #</u>	<u>DESCRIPTION</u>
1	2	56N107	APRON TIGHTENER SPACER
2	2	56N165	IDLER SHAFT, SQUARE
3	4	56N164	SLIDES
4	4	50N177	APRON DRIVE SPROCKET
5	1	56N109	APRON DRIVE SHAFT
6	4	56N174	KEY W/ ROUND ENDS, 3/8 X 2 (HARDENED)
7	1	56N110	BEARING BRACKET LH
8	2	56N111	DRIVE SHAFT BUSHING, 2 OD X 1-3/4 ID X 2-1/2
9	1	56N112	CENTER BEARING HOLDER
10	1	56N113	DRIVE SHAFT CENTER BUSHING, 2 OD X 1-3/4 ID X 2-1/2
11	1	56N114	BEARING BRACKET RH
12	54	56N175	67 T-BAR SLAT - 54 PCS.
13	552	A12	GRAETZ LINK - 552 PCS.
14	1	56N130	KEY, ROUND ENDS, 3/8 X 3.875
15	1	56N173	IDLER SHAFT STOP
16	8	YSKP12025	SET SCREW, SOCKET, KNURLED CUP PT, 3/8 X 3/8
17	2	YBHH16095	BOLT HEX, 1/2 X 2-1/4 G5
18	2	YBHH16190	BOLT HEX, 1/2 X 9-1/2 G5
19	2	56N115	BOLT HEX, 1/2 X 12 G5
20	4	YBCR12010	BOLT CARRIAGE, 3/8 X 1 G5
21	2	YBCR16015	BOLT CARRIAGE, 1/2 X 1-1/4 G5
22	4	YWLO12005	WASHER LOCK, 3/8 USS
23	4	YWLO16005	WASHER LOCK, 1/2
24	2	YWFL16005	WASHER FLAT, 1/2 USS
25	2	YWFL16010	FLAT WASHER, 1/2 SAE G8
26	4	YNHX12005	NUT HEX, 3/8
27	12	YNHX16005	NUT HEX, 1/2

FIGURE 16
ELECTRIC CONTROL

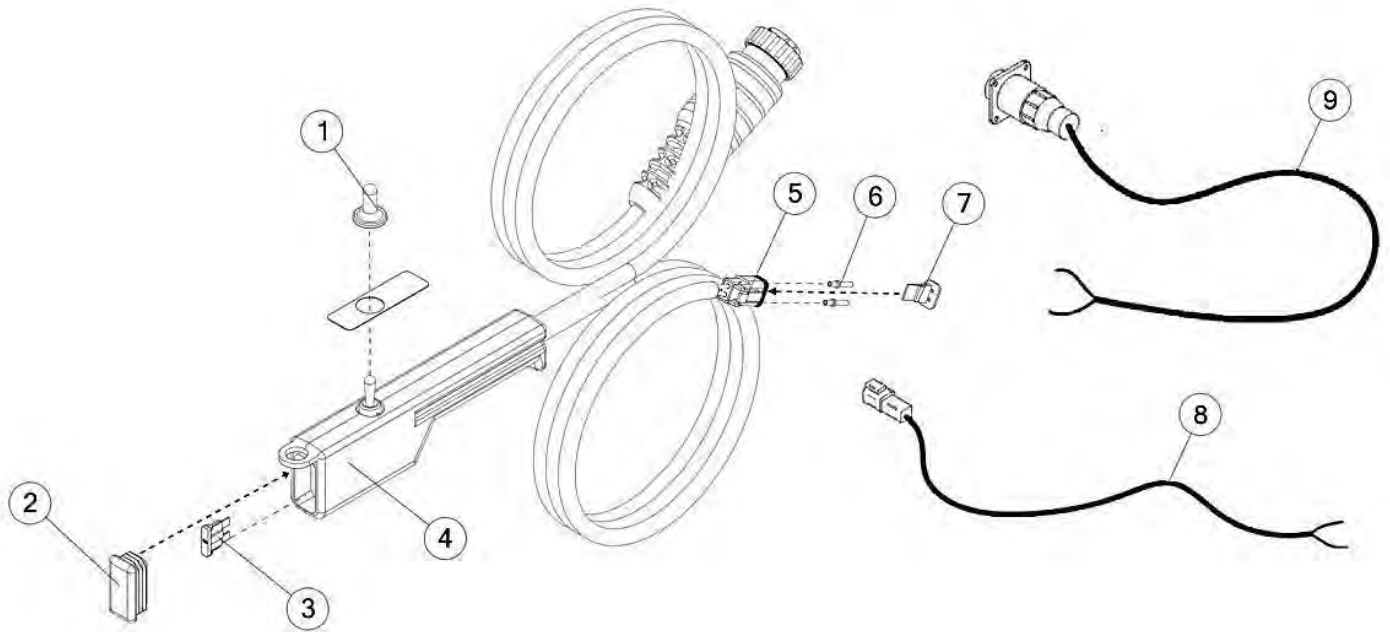


FIGURE 16
ELECTRIC CONTROL

<u>ITEM</u>	<u>QTY</u>	<u>PART #</u>	<u>DESCRIPTION</u>
1	1	16SV235	SWITCH BOOTS
2	1	61564	CAP
3	1	61597	FUSE, BLADE, 5AMP
4	1	63365	HAND CONTROLLER (ON-OFF-ON)
5	1	58790	DEUTSCH 2 PIN PLUG
6	2	56760	DEUTSCH SOCKET, SOLID, 14-16 GA.
7	1	58793	LOCKING WEDGE FOR DT06-2S CONNECTOR
8	1	56N134	SPREADER CONTROL CORD
9	1	16SV269	TRACTOR CONTROL CABLE

FIGURE 17

HYDRAULIC CYLINDER

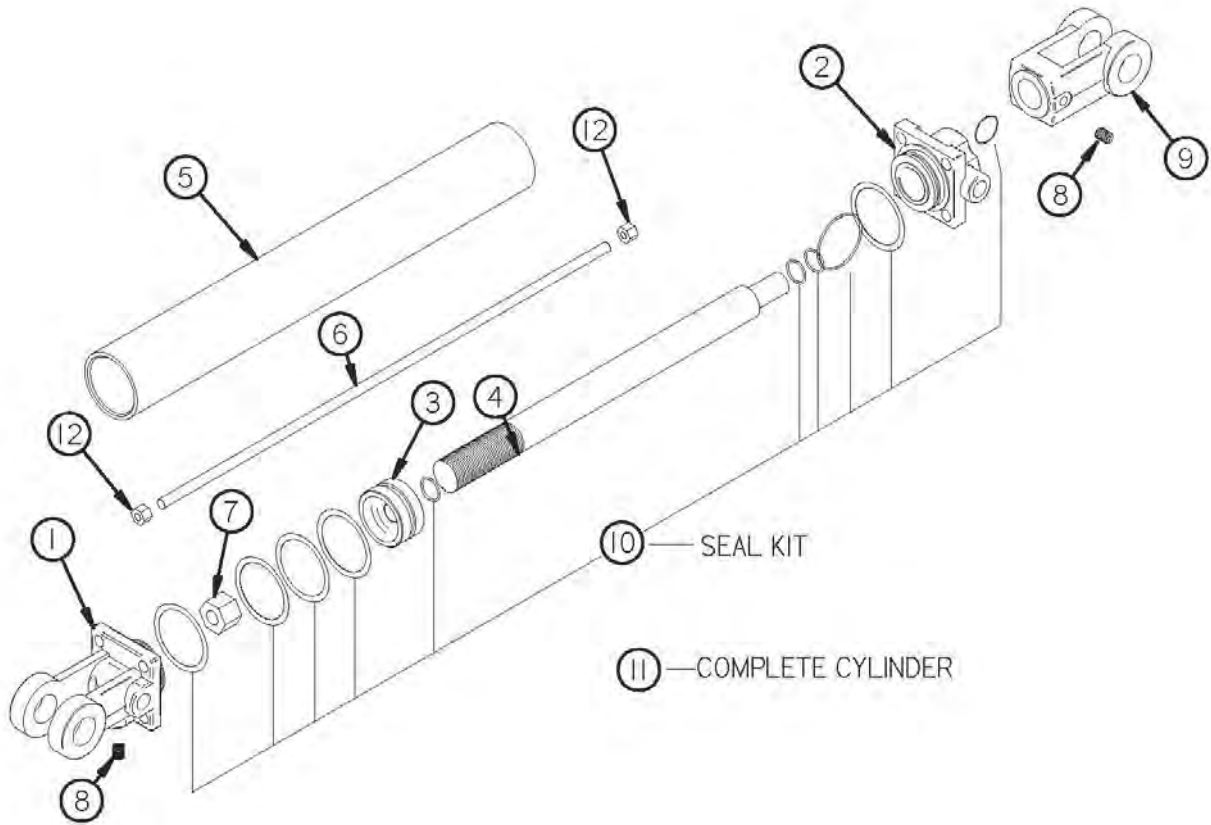


FIGURE 17
HYDRAULIC CYLINDER

<u>ITEM</u>	<u>QTY</u>	<u>PART #</u>	<u>DESCRIPTION</u>
1	1	23N142A	CLEVIS CAP
2	1	56174	ROD CAP
3	1	56180	PISTON
4	1	45N42	ROD
5	1	45N43	CYLINDER TUBE
6	4	45N44	TIE ROD
7	1	23N148	PISTON NUT
8	2	23N149	PLUG
9	1	56185	ROD CLEVIS
10	1	56187	SEAL KIT
11	1	56002	HYDRAULIC CYLINDER
12	8	YNHX12005	NUT HEX, 3/8

FIGURE 18
OPTIONAL PAN

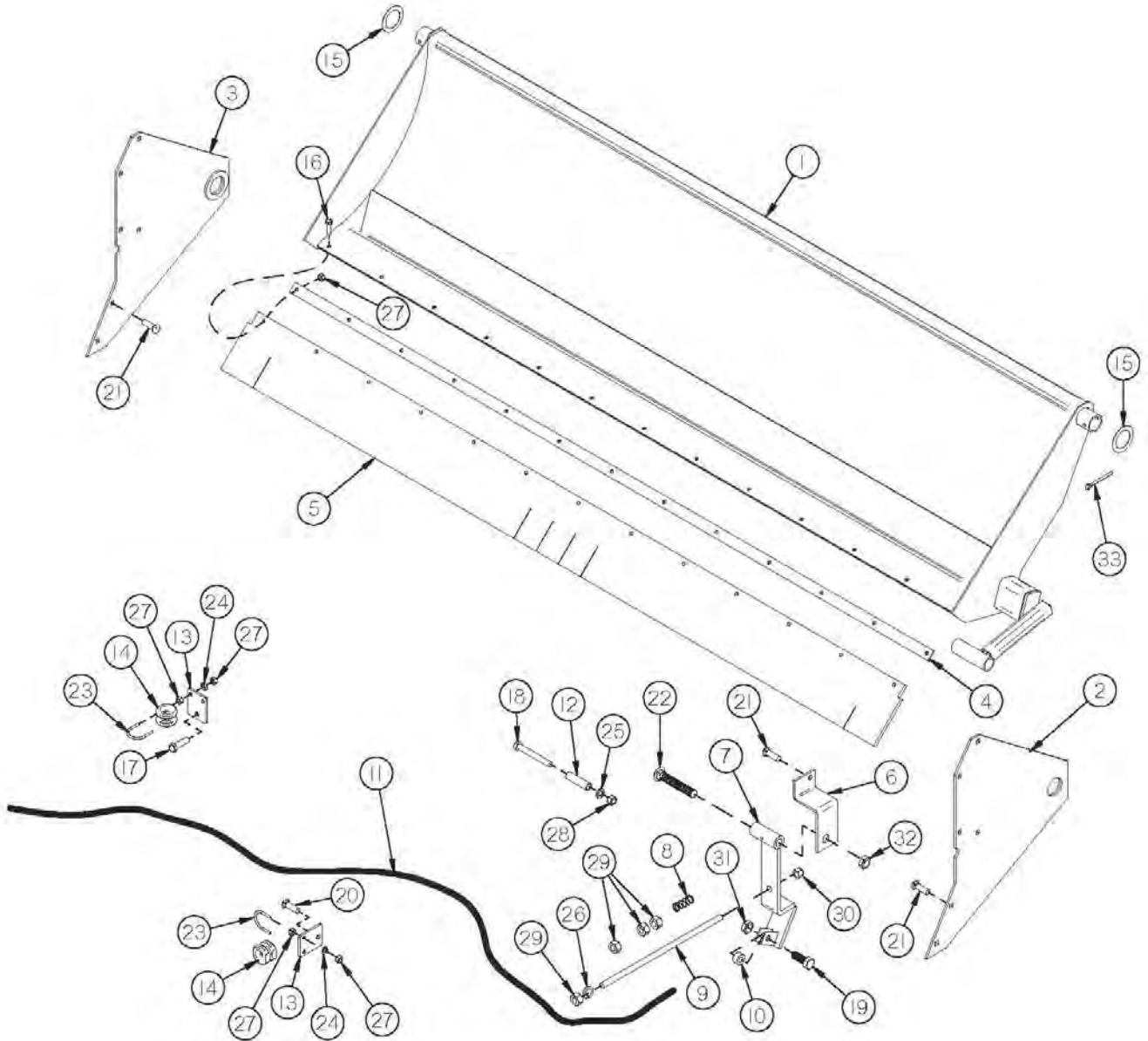


FIGURE 18

OPTIONAL PAN

<u>ITEM</u>	<u>QTY</u>	<u>PART #</u>	<u>DESCRIPTION</u>
1	1	56N122	PAN
2	1	56N123	PAN PLATE LH
3	1	56N124	PAN PLATE RH
4	1	56N125	STRAP
5	1	56N126	RUBBER
6	1	56N127	LATCH MOUNT BRACKET
7	1	56N128	PAN LATCH
8	1	23N211	SPRING
9	1	56N129	READY ROD
10	1	D107	ROPE ROLLER
11	1	56N139	ROPE (38)
12	1	56N147	PIPE ROPE GUIDE
13	2	56N148	ROPE GUIDE HOLDER
14	2	F33	ROPE GUIDE
15	2	56N170	PAN WASHER
16	13	YBHH08010	BOLT HEX, 1/4 X 1 G5
17	1	YBHH12035	BOLT HEX, 3/8 X 1-1/4 G5
18	1	YBHH12155	BOLT HEX, 3/8 X 3-1/4 G5
19	1	YBHH16045	BOLT HEX, 1/2 X 1-1/4 G5
20	1	YBCR12010	BOLT CARRIAGE, 3/8 X 1 G5
21	13	YBCR12020	BOLT CARRIAGE, 3/8 X 1-1/4 G5
22	1	YBHH16035	BOLT CARRIAGE, 3/4 X 4-1/2 G5
23	2	YBPU08005	PIPE U BOLT, 1/4 X 3/4 PIPE, 1-1/4 ID, 2-1/4 IL, 1-1/4 THREAD
24	4	YWLO08005	WASHER LOCK, 1/4
25	1	YWLO12005	WASHER LOCK, 3/8
26	1	YWLO16005	WASHER LOCK, 1/2
27	21	YNHX08005	NUT HEX, 1/4
28	1	YNHX12005	NUT HEX, 3/8
29	4	YNHX16005	NUT HEX, 1/2
30	1	YNNY16005	NUT HEX, NYLON LOCKNUT, 1/2
31	1	YNJM16005	NUT HEX, NYLON JAM LOCKNUT, 1/2
32	1	YNNJ24005	NUT HEX, NYLON JAM LOCKNUT, 3/4
33	2	YPCT08010	COTTER PIN, 1/4 X 2-1/2

FIGURE 19
BEVEL GEARBOX

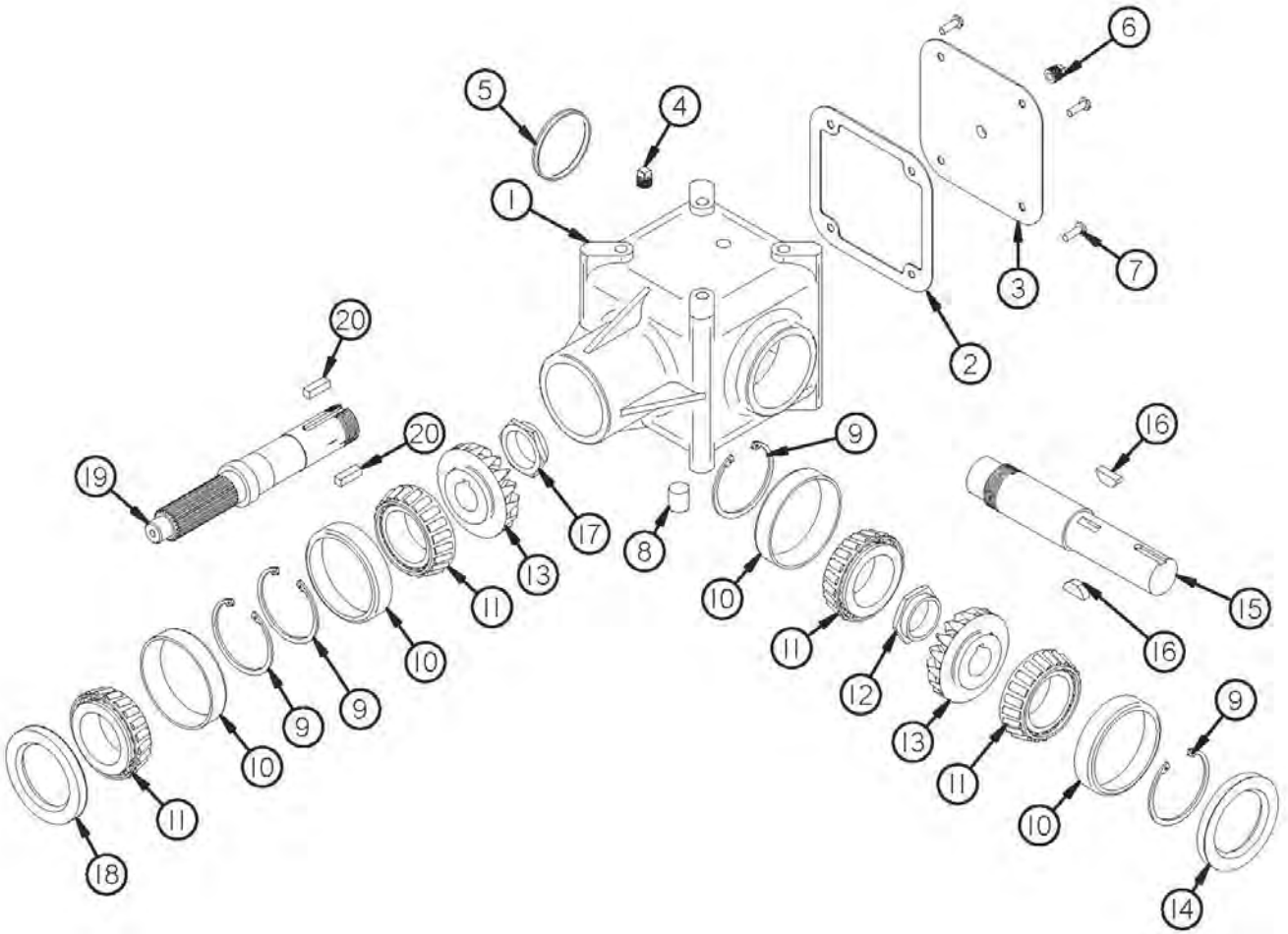


FIGURE 19

BEVEL GEARBOX

<u>ITEM</u>	<u>QTY</u>	<u>PART #</u>	<u>DESCRIPTION</u>
1	1	G125	HOUSING
2	1	G138	GASKET
3	1	G126	COVER
4	1	G144	VENT PLUG, 3/8
5	1	G140	CAP
6	1	G65	PLUG, 3/8 NPT
7	4	YBHH10132	BOLT HEX, 5/16 X 5/8
8	1	G145	PLUG, 3/8
9	4	G130	SNAP RING
10	4	G128	RACE
11	4	G129	BEARING
12	1	G132	STAKE NUT
13	2	G147	BEVEL GEAR
14	1	G136	OUTPUT SEAL
15	1	56N132	OUTPUT SHAFT
16	2	G61	WOODRUFF KEY
17	1	G133	STAKE NUT, 1-3/4
18	1	G137	INPUT SEAL
19	1	56N133	INPUT SHAFT
20	2	G139	KEY, 3/8 X 1-1/2 (HARDENED)
*	1	56N54	COMPLETE GEARBOX

NOTE: * MEANS NOT SHOWN

FIGURE 20
LIGHTING

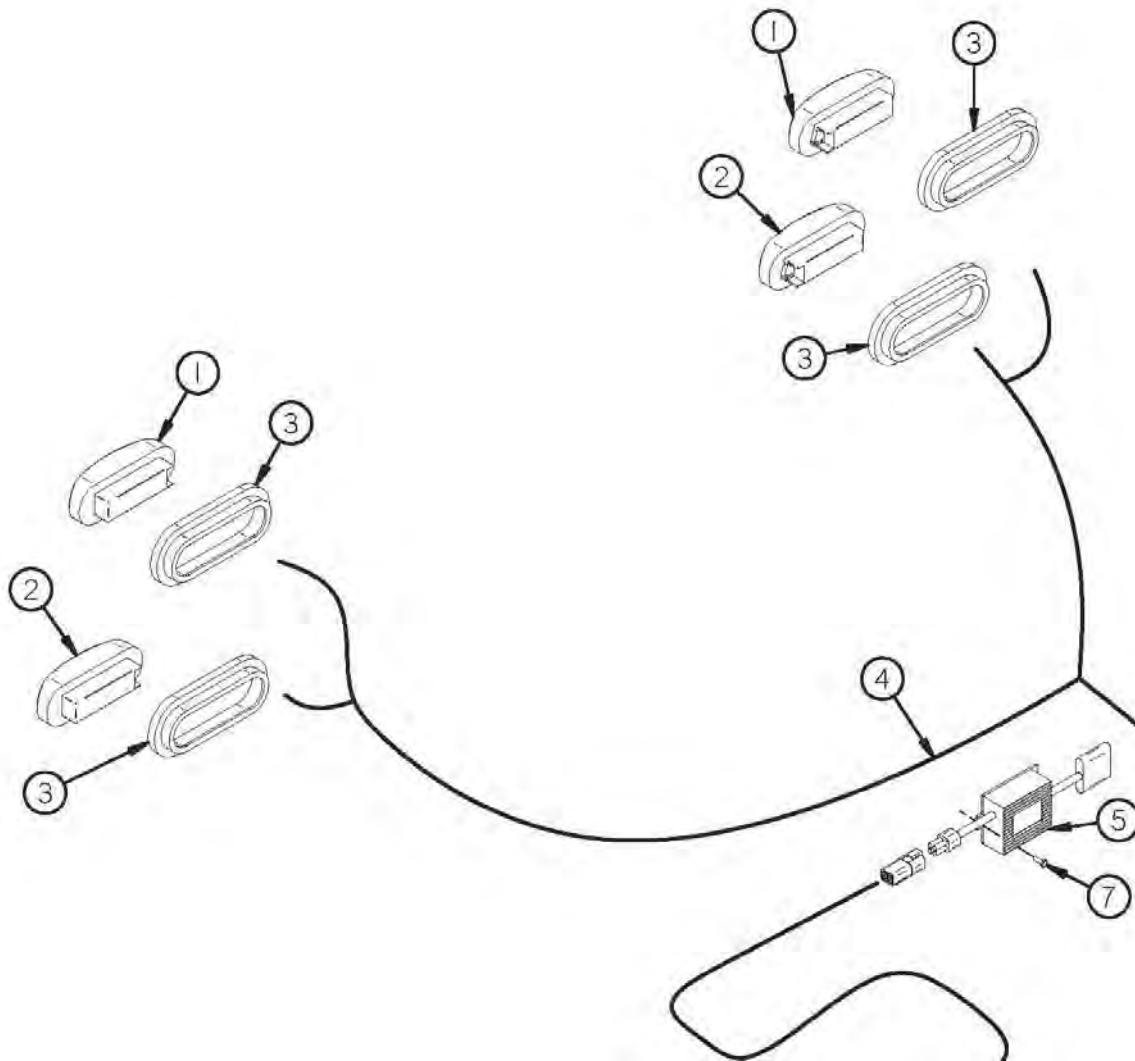


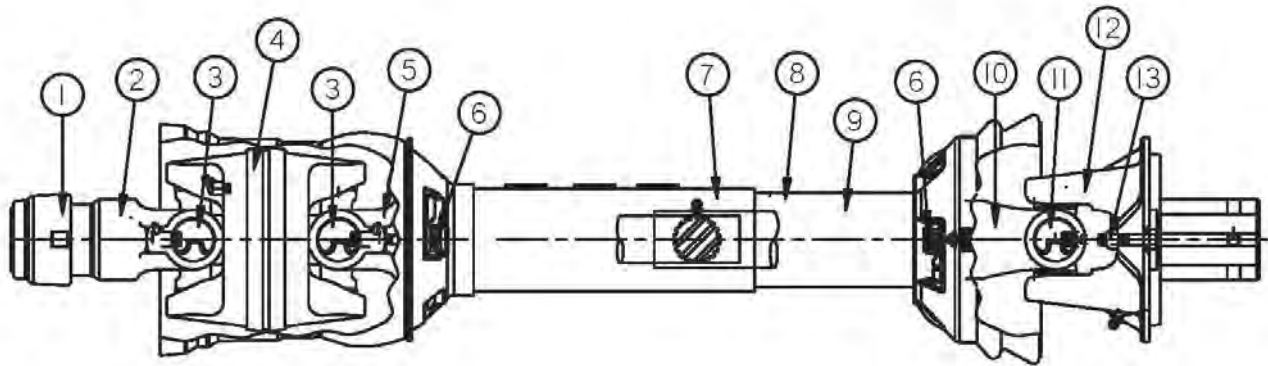
FIGURE 20

LIGHTING

<u>ITEM</u>	<u>QTY</u>	<u>PART #</u>	<u>DESCRIPTION</u>
1	2	S309	AMBER TAIL LIGHT
2	2	S310	RED TAIL LIGHT
3	4	S308	RUBBER LIGHT GROMMET
4	1	56N155	TAIL LIGHT LOOM
5	1	69908	MODULE, CONTROL, BLINKER
6	1	56N154	FLASHER MODULE LOOM
7	3	YSMS6400	SHEET METAL SCREW, HEX HEAD-SLOTTED, ZINC PLATED

FIGURE 21

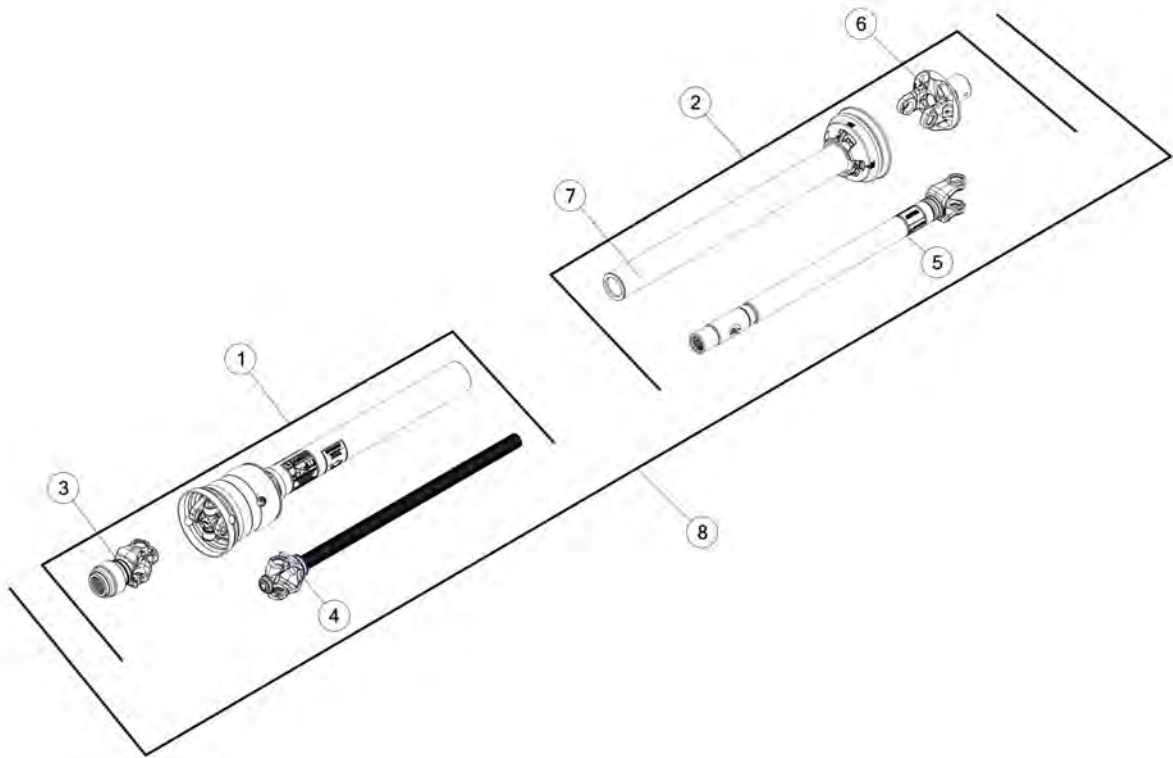
PTO 1000RPM 1-3/8



ITEM	1000 RPM 1-3/8"	DESCRIPTION
1	16SV274	SAFETY SLIDE LOCK REPAIR KIT
2	16SV277	SAFETY SLIDE LOCK YOKE ASSEMBLY
3	16SV279	CROSS KIT
4	16SV382	CENTER HOUSING
5	16SV282	YOKE & SHAFT
6	16SV383	NYLON REPAIR KIT
7	16SV386	OUTER GUARD
8	16SV387	INNER GUARD
9	16SV388	SAFETY SIGN (NOT SHOWN)
10	16SV287	YOKE, TUBE AND SLIP SLEEVE
11	16SV179	35R CROSS & BEARING KIT
12	16SV288	BALL SHEAR ASSEMBLY
13	YNNY10005	LOCK NUT, 5/16
*	YBHH10025	BOLT HEX, 5/16 X 1-1/2 G2
*	16SV390	JOINT & SHAFT HALF ASSM. W/ GUARD
*	16SV393	JOINT & SHAFT HALF ASSM.
*	16SV396	JOINT & TUBE HALF ASSM. W/ GUARD
*	16SV300	JOINT & TUBE HALF ASSM. COMPLETE
*	16SV344A	PTO
*	S402	PTO SAFETY MANUAL

NOTE: * MEANS NOT SHOWN

FIGURE 22
PTO 1000RPM 1-3/4 (OPTIONAL)



ITEM	1000 RPM 1-3/4"	DESCRIPTION
1	59830	JOINT & SHAFT HALF W/GUARD
2	59839	JOINT & TUBE HALF W/GUARD
3	TS193	AUO LOK YOKE ASSY.
4	59816	YOKE & SHAFT, 1.31-20 SPLINE
5	59819	YOKE, TUBE & SLIP SLEEVE
6	16SV288	BALL SHEAR ASSY.
7	59818	INNER GUARD
8	57755	COMPLETE PTO
*	S402	PTO SAFETY MANUAL

NOTE: * MEANS NOT SHOWN

PARTS NOTES



**H&S Manufacturing products are approved for the
FEMA SEAL OF QUALITY**

**P.O. BOX 768, MARSHFIELD, WI 54449
(715) 387-3414 FAX (715) 384-5463
www.hsmfgco.com**