



# 3231

## MANURE SPREADER

### PARTS BOOK

Part #85973 HSMFG072022 Rev. #06 Starting Ser. #322MS31001

**STRONG HERITAGE - STRONG PEOPLE - STRONGER FUTURE**





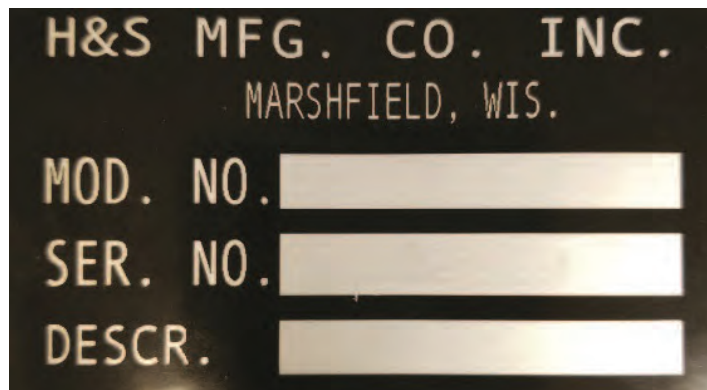
# INSTRUCTIONS FOR ORDERING PARTS

All service parts should be ordered through your authorized H&S dealer. Your Dealership will be able to give you faster service if you will provide them with the following:

1. All references to left or right apply to the machine as viewed from the rear.
2. Parts should not be ordered from illustration only. Please order complete part number.
3. If your dealer has to order parts - give shipping instructions:

VIA truck - large pieces (please specify local truck lines)

VIA United Parcel Service (include full address)



SERIAL NUMBER CAN BE LOCATED ON THE FRONT PTO BEARING SUPPORT MOUNT

PLEASE RECORD NUMBERS FOR YOUR UNIT FOR QUICK REFERENCE

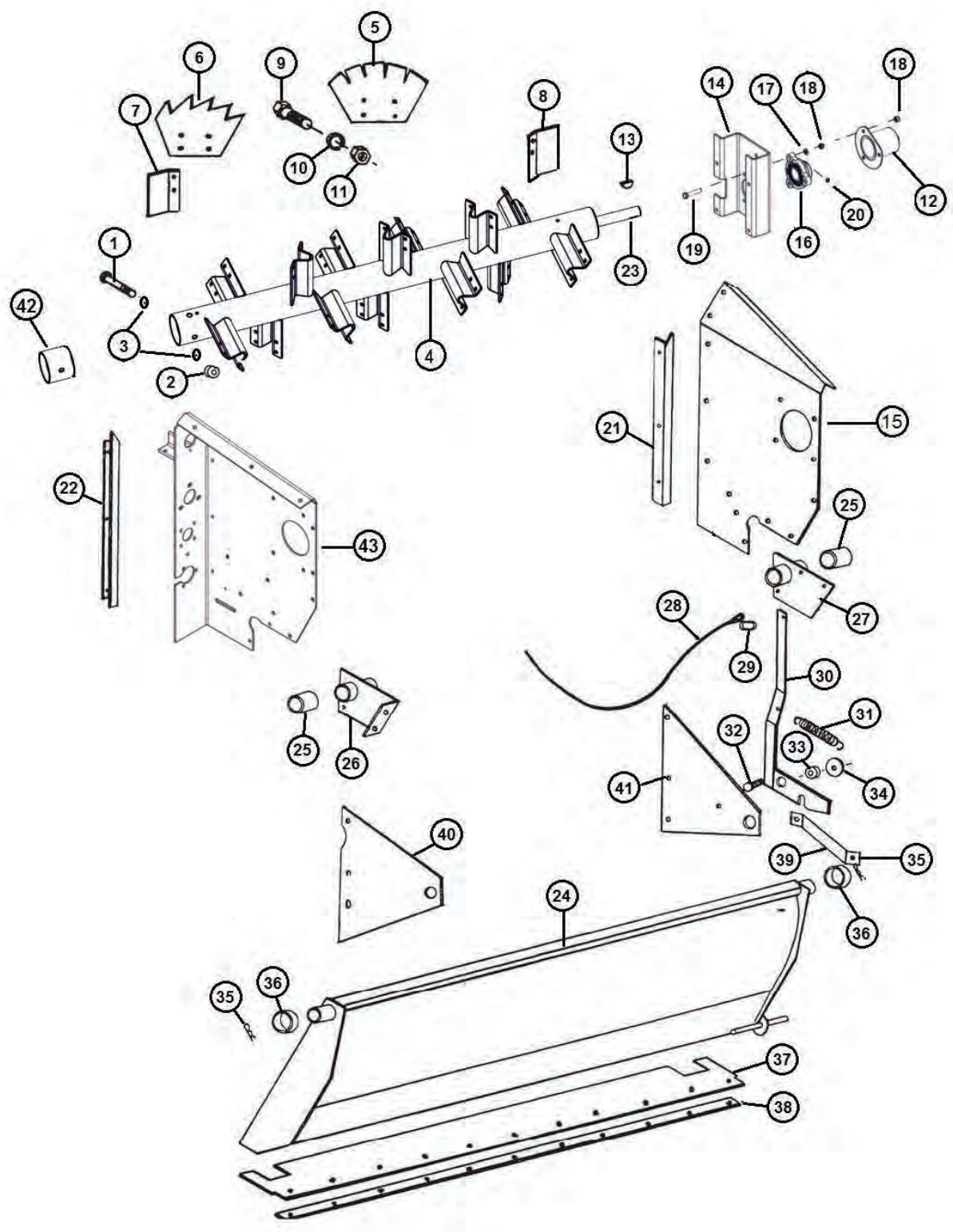
H&S IS CONTINUALLY STRIVING TO IMPROVE ITS PRODUCTS

We must, therefore, reserve the right to make improvements or changes whenever it becomes practical to do so, without incurring any obligation to make changes or additions to the equipment previously sold.





# FIGURE 1 BEATER & PAN ASSEMBLY





# FIGURE 1

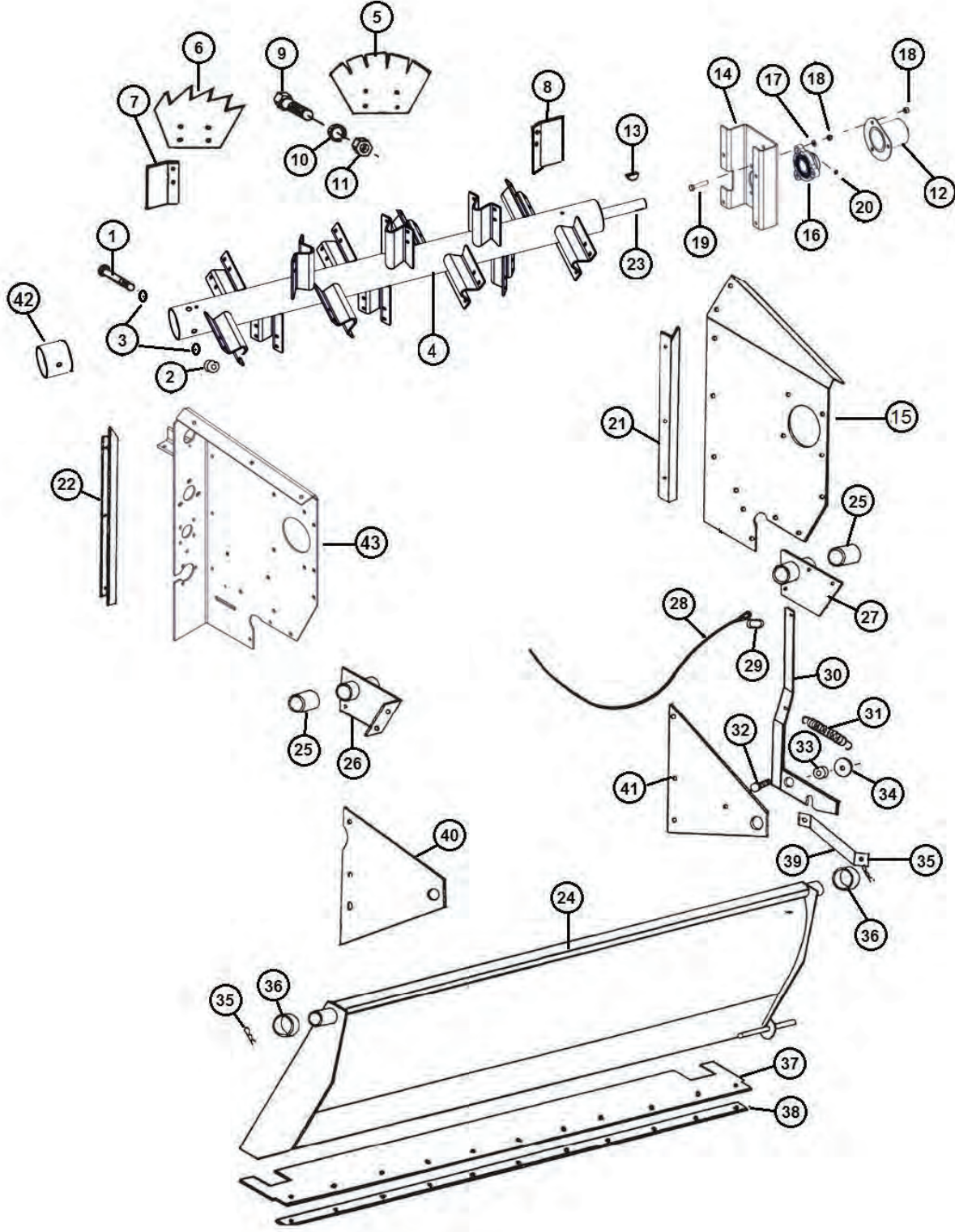
## BEATER & PAN ASSEMBLY

REF #	PART #	DESCRIPTION	QTY
1	YBHH10130	BOLT HEX, 5/16 X 5 G5	1
2	YNRL10005	HEX NUT, SIDE LOCK, 5/16 G5	1
3	YWFL10005	WASHER FLAT, 5/16	2
4	81161	BEATER	1
5	23N276	BEATER BLADE - HARDENED	6
6	23N277	BEATER BLADE - HARDENED	8
7	23N7	WIPER LH	1
8	23N8	WIPER RH	1
9	YBHH16045	BOLT HEX, 1/2 X 1-1/4 G5	56
10	YWLO16005	WASHER LOCK, 1/2	56
11	YNL16005	NUT HEX, TOP LOCK, 1/2	56
12	82910	BEARING COVER	1
13	5B9	WOODRUFF KEY, 3/8 X 1-1/4	1
14	80794	SHAFT SUPPORT	1
15	23N16	MAIN PANEL RH	1
16	80725	BEATER BEARING	1
17	YWLO12005	WASHER LOCK, 3/8	3
18	YNFG12006	HEX FLANGE, 3/8 GF	6
19	YBFB12200	BOLT FLANGE, 3/8 X 2 G5	3
20	RG21	GREASE ZERK, 45	1
21	23N13	SIDE POLY HOLD DOWN RH	1
22	23N14	SIDE POLY HOLD DOWN LH	1
23	80791	BEATER STUB SHAFT	1
24	23N30	PAN	1
25	23N17	DRIVE SHAFT BUSHING	2
26	23N257	DRIVE SHAFT BRACKET LH	1
27	23N19	DRIVE SHAFT BRACKET RH	1
28	27N1	PAN TRIP ROPE	1
29	R31	CLIP	1
30	95717	PAN TRIP LEVER	1
31	R27	SPRING	1
32	YBCR16010	BOLT CARRIAGE, 1/2 X 1-1/2 G5	1
33	23N23	TRIP LEVER SPACER	1
34	YWFL16005	WASHER FLAT, 1/2	1
35	YPCT06020	COTTER PIN, 3/16 X 2	2
36	F112	SPACER	2
37	23N24	PAN RUBBER FLAP	1
38	23N25	PAN STRAP	1
39	23N267	PAN SUPPORT BRACE	1

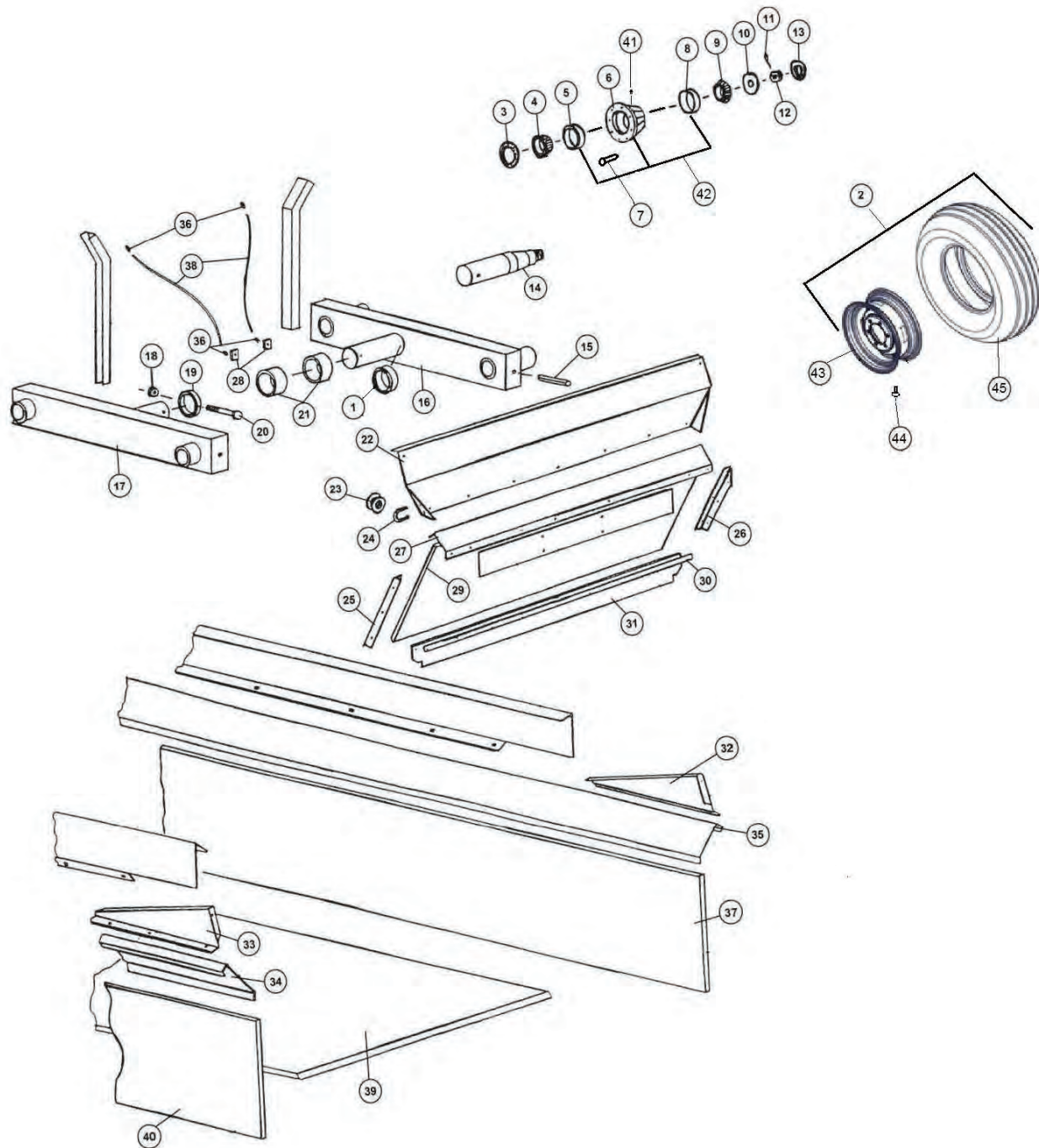




# FIGURE 1 BEATER & PAN ASSEMBLY











# FIGURE 2

## HUB, SPINDLE & BOX PARTS

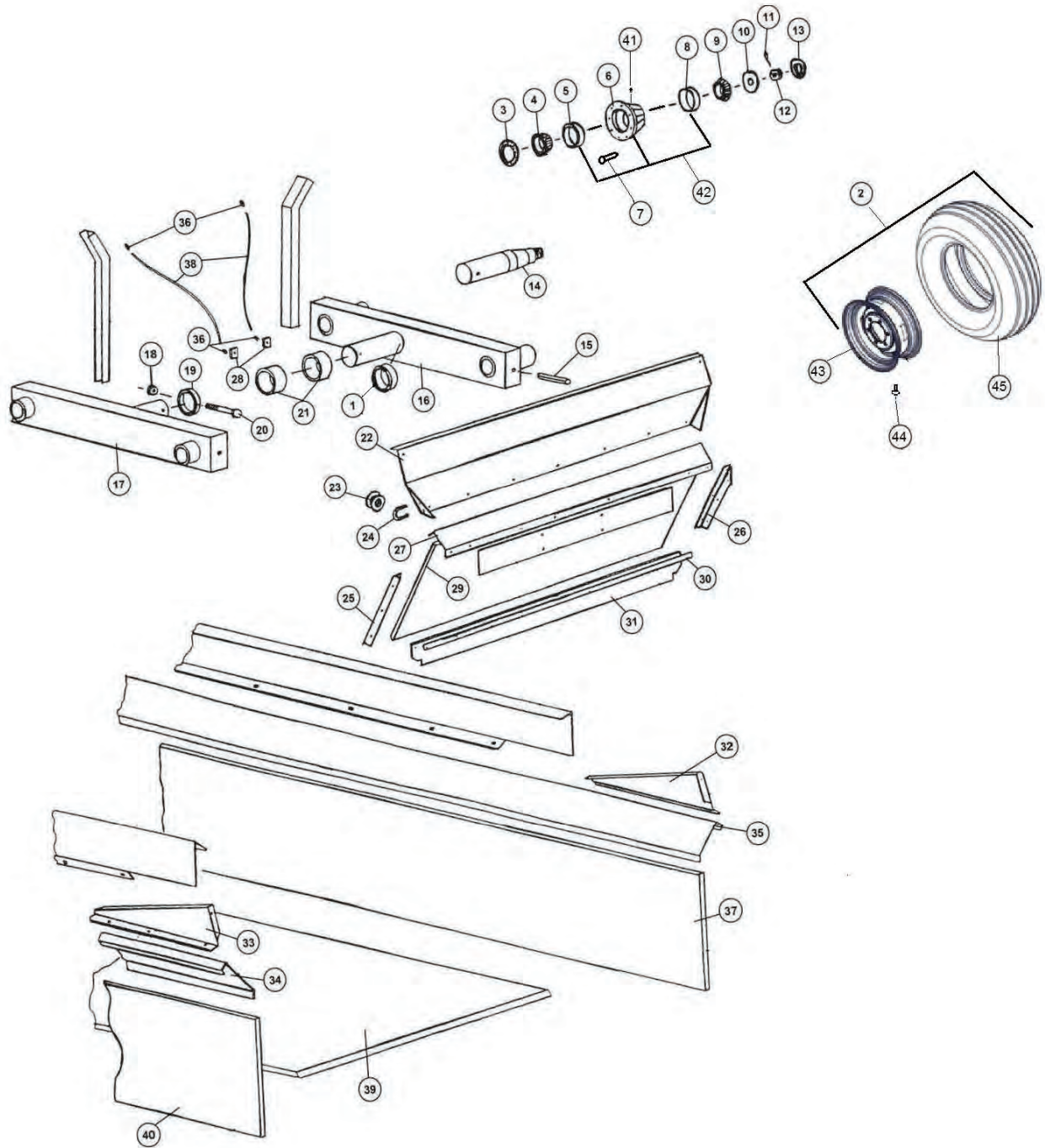
REF #	PART #	DESCRIPTION	QTY
1	70162	BUSHING	2
2	32352	COMPLETE ASSEMBLY	2
3	B8	SEAL	2
4	75954	INNER RACE	2
5	B7	INNER BEARING	2
6	B6	HUB	2
7	YBWL18005	BOLT WHEEL, 9/16-18X1-1/18 G5	12
8	75951	OUTER RACE	2
9	B5	OUTER BEARING	2
10	YWFL28005	WASHER FLAT, 7/8	2
11	YPCT05020	COTTER PIN, 5/32 X 1-3/4	2
12	YNSL28005	NUT SLOT, 7/8 G2	2
13	B2	HUB CAP	2
14	31N2	SPINDLE	2
*	31N48	SPINDLE FOR WHEEL	2
15	YPEX16020	EXPANSION PIN, 1/2 X 4	4
16	31N5	TANDEM BEAM LH	1
17	31N6	TANDEM BEAM RH	1
18	YNTL16005	NUT HEX, TOP LOCK, 1/2	2
19	B60	RING	2
20	YBHH16150	BOLT HEX, 1/2 X 4-3/4 G5	2
21	70150	POLY BUSHING	2
22	23N34	FRONT FLARE	1
23	F33	ROPE GUIDE	1
24	YBPU08005	PIPE U BOLT	1
25	23N35	GATE ANGLE RH	1
26	23N36	GATE ANGLE LH	1
27	23N176	FRONT FLARE SUPPORT	1
28	16V9	GREASE LINE BRACKET	2
29	23N270A	FRONT GATE PLYWOOD W/FIBERGLASS	1
30	23N40	STRAP FOR RUBBER	1
31	23N41	FRONT GATE RUBBER	1
32	23N42	SPLASH GUARD SIDE LH	1
33	23N43	SPLASH GUARD SIDE RH	1
34	31N24	SIDE FLARE RH	1
35	31N25	SIDE FLARE LH	1
36	S47	GREASE LINE FITTING	4
37	31N32A	SIDE PLYWOOD W/FIBERGLASS LH	1
38	31N43	GREASE LINE	2



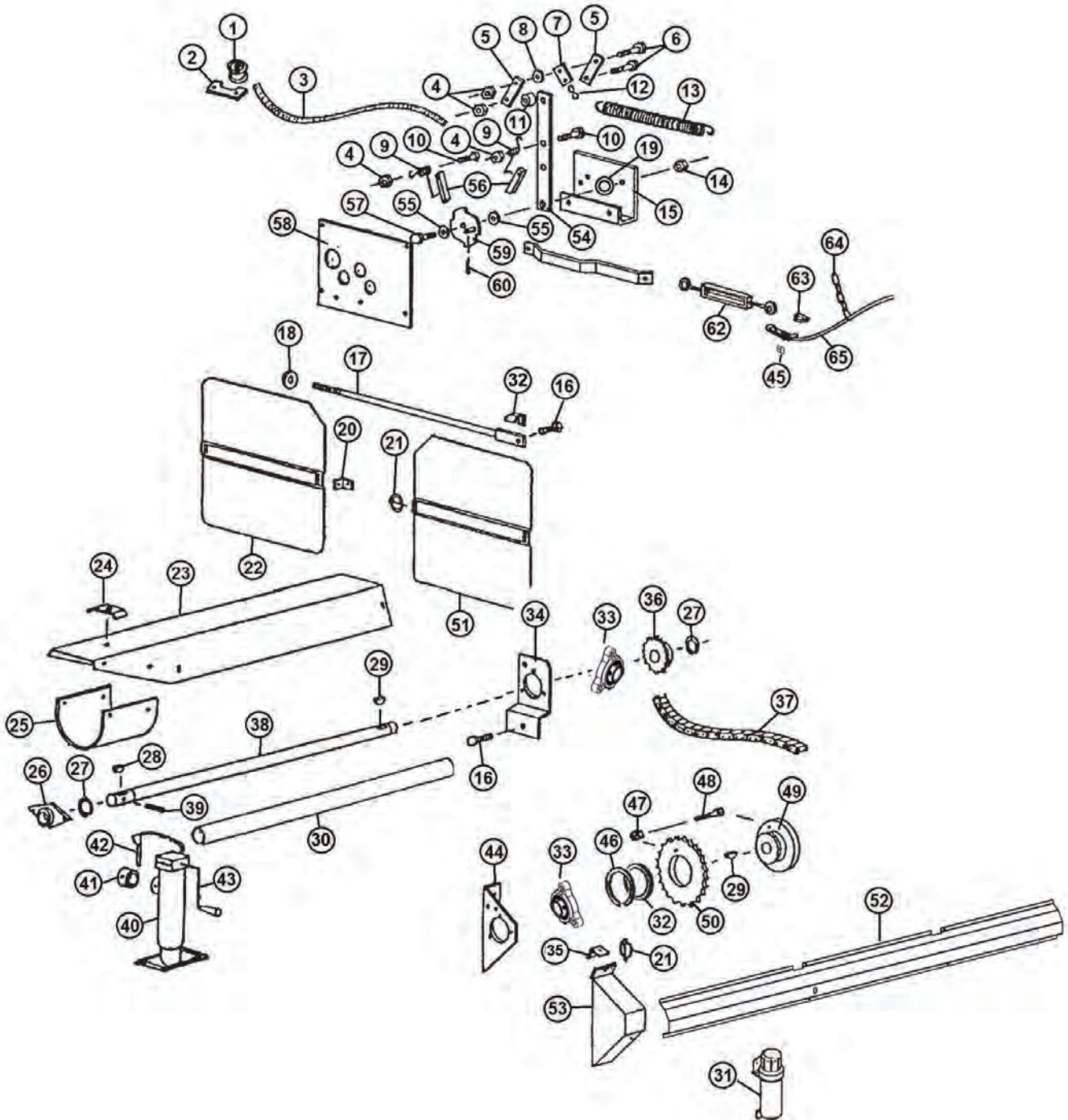


# FIGURE 2

## HUB, SPINDLE & BOX PARTS





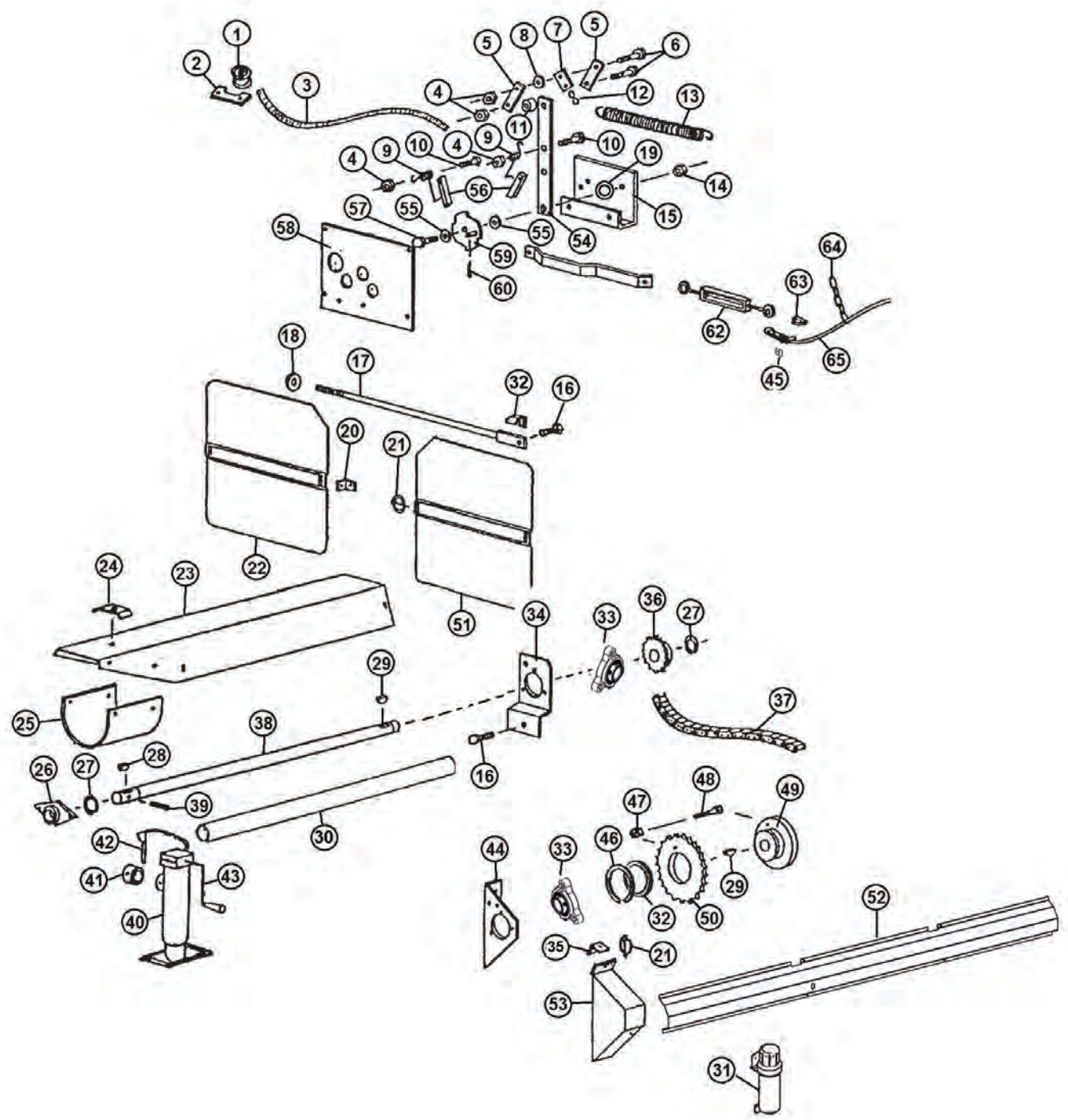


REF #	PART #	DESCRIPTION	QTY
1	F33	CABLE GUIDE	1
2	23N182	BRACKET	1
3	77192	ROPE, 6/16, 180	1
4	YNTL12005	NUT HEX, 3/8	4
5	23N184	BRACKET	2
6	YBHH12035	BOLT HEX 3/8 X 1-1/4 G5	2
7	23N185	SPRING BRACKET	1
8	YWFL12005	WASHER FLAT, 3/8 USS	1
9	23N186	DOG SPRING	1
10	YBHH12010	BOLT HEX, 3/8 X 1 G5	2
11	D107	SPACER	1
12	X79	S- HOOK	1
13	23N187	SPRING	1
14	YNHX16005	NUT HEX, 1/2	1
15	23N188	SHIFTER BRACKET	1
16	YBFB16150	BOLT FLANGE, 1/2 X 1-1/2 G5	2
17	23N63	TIGHTENER ROD	1
18	F129	WASHER	1
19	31N51	SHIFTER SPACER WASHER	1
20	F92	SHIELD BRACKET	1
21	YPLY08010	LYNCH PIN, 1/4 X 1-1/2	2
22	23N305	FRONT SHIELD	1
23	23N66	SHIELD	1
24	23N67	TAILGATE HOSE BRACKET	1
*	HE42	HYDRAULIC DRIVE BRACKET	1
25	F54	SHIELD	1
26	12N29	BEARING	1
27	F73	SNAP RING	2
28	5B10	WOODRUFF KEY, 1/4 X 1	1
29	5B9	WOODRUFF KEY, 3/8 X 1-1/4	2
30	37N74	FRONT SHAFT GUARD	1
31	S522	MANUAL HOLDER	1
32	23N278	SPACER	1
33	80662	BEARING 1-1/4	2
34	23N68	JACK SHAFT BRACKET	1
35	23N242	SHIELD BRACKET	1
36	23N70	SPROCKET (25T)	1
*	37N72	SPROCKET (16T) (OPTIONAL 1000 RPM)	1
37	23N245	ROLLER CHAIN	1

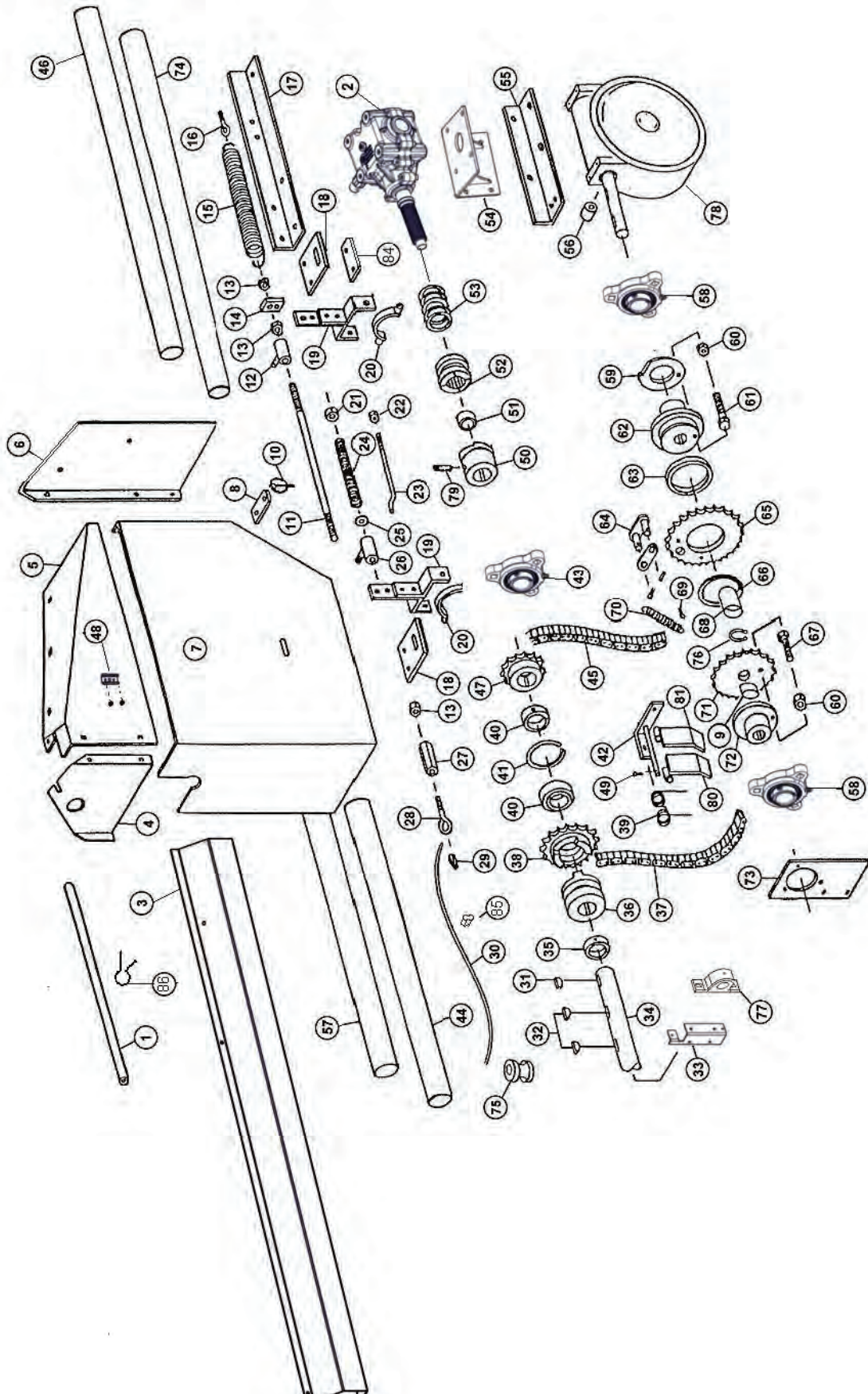




# FIGURE 3 FRONT SHIELD & DRIVE ASSEMBLY



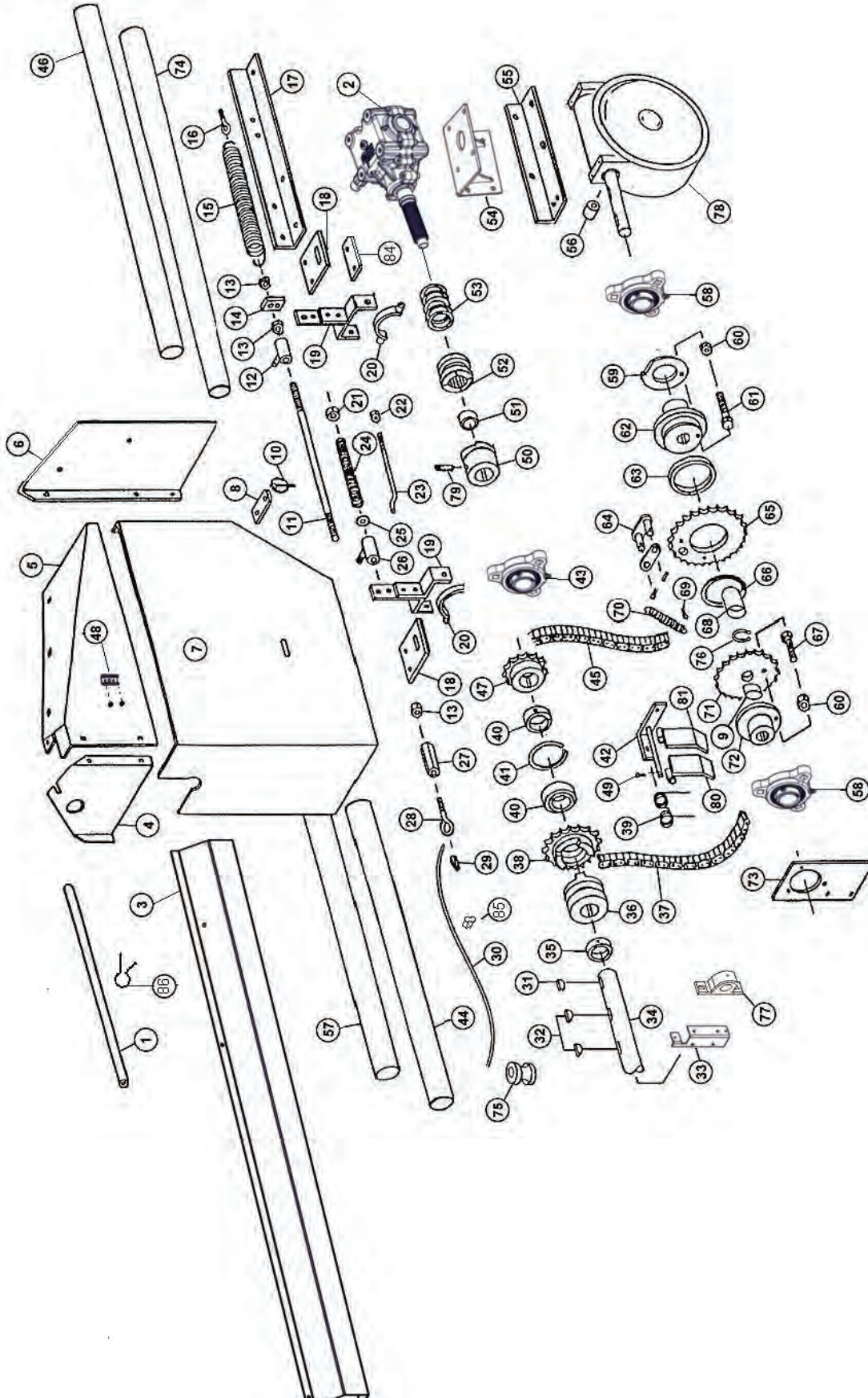






REF #	PART #	DESCRIPTION	QTY
1	23N200	CABLE GUARD	1
2	85385	GEARBOX	1
3	86096B	SIDE SHIELD	1
4	85019	SHIELD	1
5	85046	BACK SHIELD TOP	1
6	85017	BACK SHIELD	1
7	86103B	COVER	1
8	86101	SHIELD BRACKET	1
9	56027	BUSHING	1
10	S122	LYNCH PIN W/CABLE	1
11	23N205	CLUTCH ROD	1
12	23N206	SHIFTING ROD BRACKET	1
13	YNHX12005	NUT HEX, 3/8	3
14	23N207	SPRING BRACKET	1
15	K103	SPRING	1
16	YBTE08005	BOLT TURNED EYE, FULL THREAD, 1/4 X 1	1
17	85010	TOP ANGLE	1
18	85006	SHIFTER BRACKET	2
19	D57	SHIFTER LEVER	2
20	23N208	YOKE W/ZERK	2
21	23N209	COLLAR	1
22	YNTL08005	NUT HEX, TOP LOCK, 1/4	1
23	23N210	SHIFTING ROD	1
24	23N211	SPRING BRACKET	1
25	YWFL12005	WASHER FLAT, 3/8	1
26	23N206	ROD BRACKET	1
27	23N212	COUPLING NUT	1
28	YBTE12005	TURNED EYE BOLT, 3/8 X 1	1
29	ES14	CABLE LOOP	1
30	31N27	CABLE	1
31	5B9	WOODRUFF KEY, 3/8 X 1-1/4	1
32	5B10	WOODRUFF KEY, 1/4 X 1	2
33	86104	SIDE BEARING BRACKET	1
34	31N29	SIDE SHAFT	1
35	F6	COLLAR	1
36	23N215	CLUTCH THROW-OUT	1
37	23N93	CHAIN (#50, 60 PITCHES)	1
38	23N216	CLUTCH SPROCKET	1
*	61138	INCLUDES (SPROCKET,BEARING,SNAP RING)	1





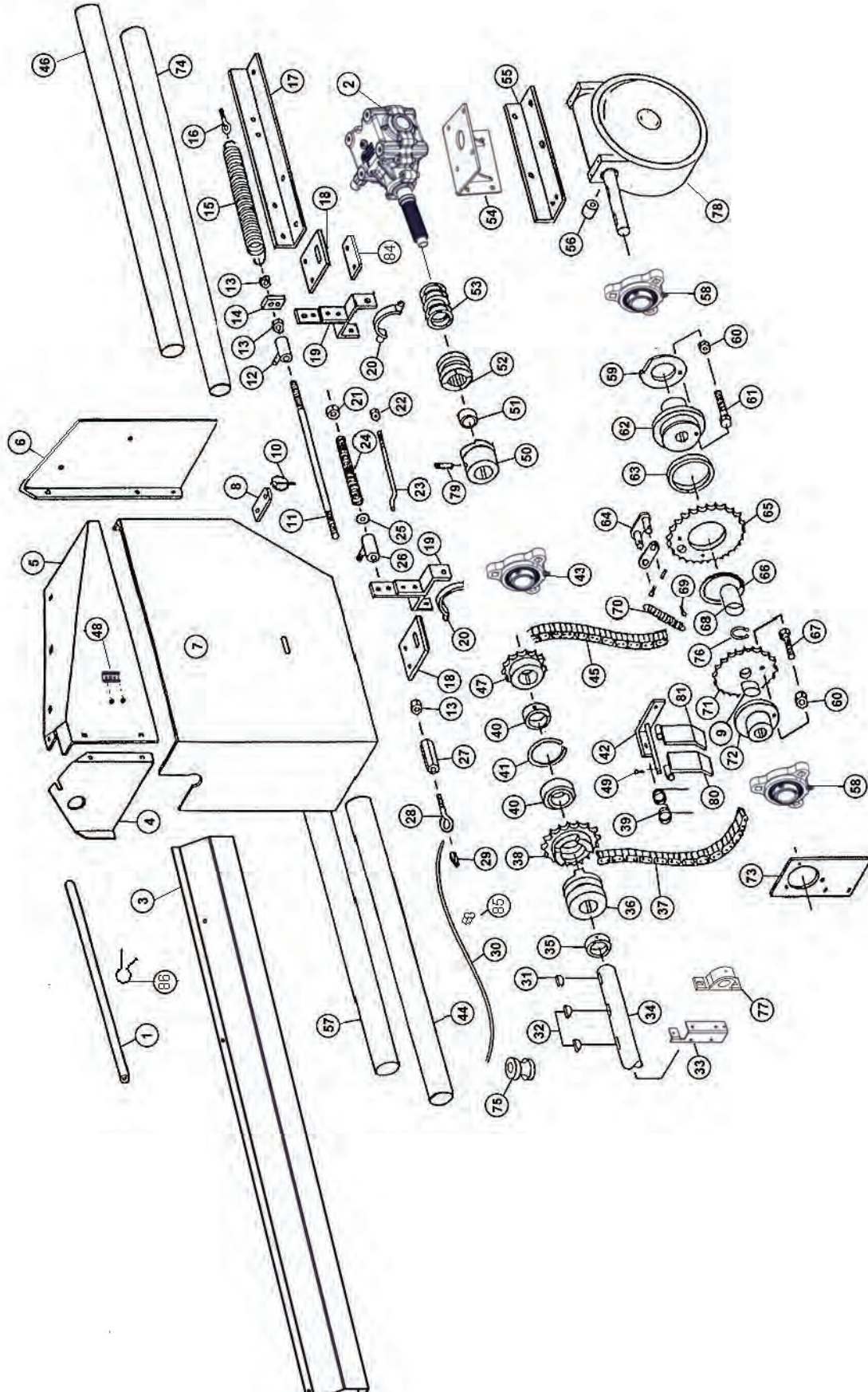


# FIGURE 4

## BACK SHIELDS & DRIVE ASSEMBLY

REF #	PART #	DESCRIPTION	QTY
39	31N33	SPRING TIGHTENER	1
40	BFR525	BEARING	1
41	3G19	SNAP RING	1
42	31N36	TIGHTENER BRACKET	1
43	80662	BEARING	2
44	31N45	#1 SIDE SHAFT GUARD	1
45	23N93	CHAIN (#50, 60 PITCHES)	1
46	60643	#4 SIDE SHAFT GUARD	1
*	56036	SPROCKET BUSHING	1
47	10R11	SPROCKET (13T)	1
48	F97	SMV BRACKET	1
49	23N174	FLANGE SPACER	1
50	23N241	CLUTCH	1
51	D68	BRONZE BUSHING	1
52	23N90	CLUTCH	1
53	23N89	SPRING	1
54	85205	BOTTOM ANGLE	1
55	23N95	WORM BOX HOLDER	1
56	23N94	SPACER	1
57	31N44	SIDE SHAFT GUARD	1
58	80530	BEARING W/SETSCREWS	2
59	23N222	SHEAR PLATE	1
60	YNTL08005	NUT HEX, TOP LOCK, 1/4	2
61	YBHH08035	BOLT HEX, 1/4 X 1-1/4 G5	1
62	23N224	SHEAR HUB	1
63	23N225	BUSHING, BRONZE	1
64	60531	CONNECTOR LINK W/PINS	1
*	74381	SPROCKET	1
65	23N226	SPROCKET W/BUSHING	1
66	23N227	SNAP RING	1
67	YBHH08035	BOLT HEX, 1/4 X 1-1/4 G5	1
68	56029	SPACER	1
69	YPCT04005	COTTER PIN, 1/8 X 1	1
70	23N229	DOG SPRING	1
71	56026	SPROCKET	1
72	56025	SHEAR HUB	1
73	23N230	BEARING PANEL	1
74	31N46	SIDE SHAFT GUARD CABLE	1
75	F33	GUIDE	1

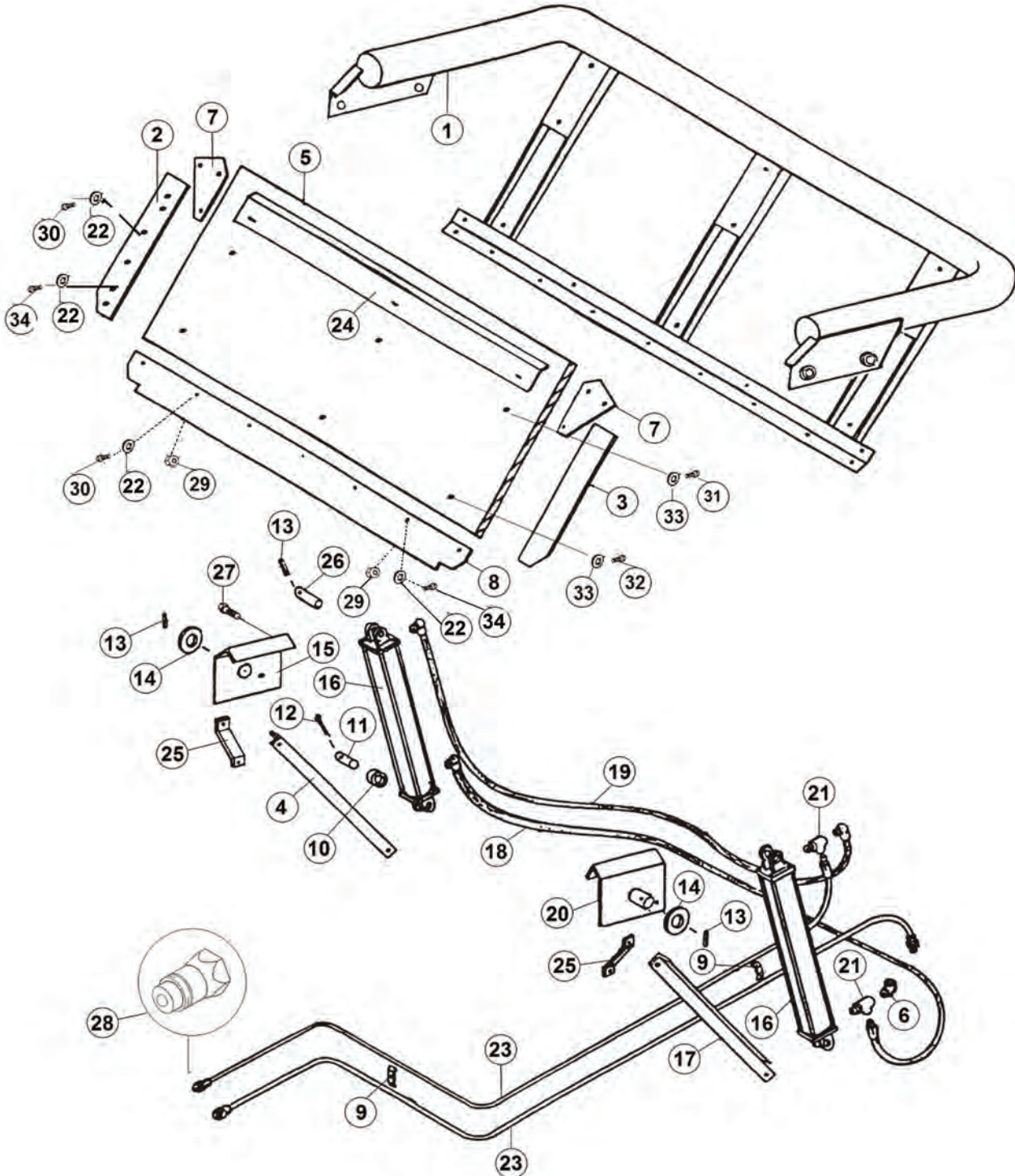








**FIGURE 5**  
**HYDRAULIC ENDGATE ASSEMBLY**



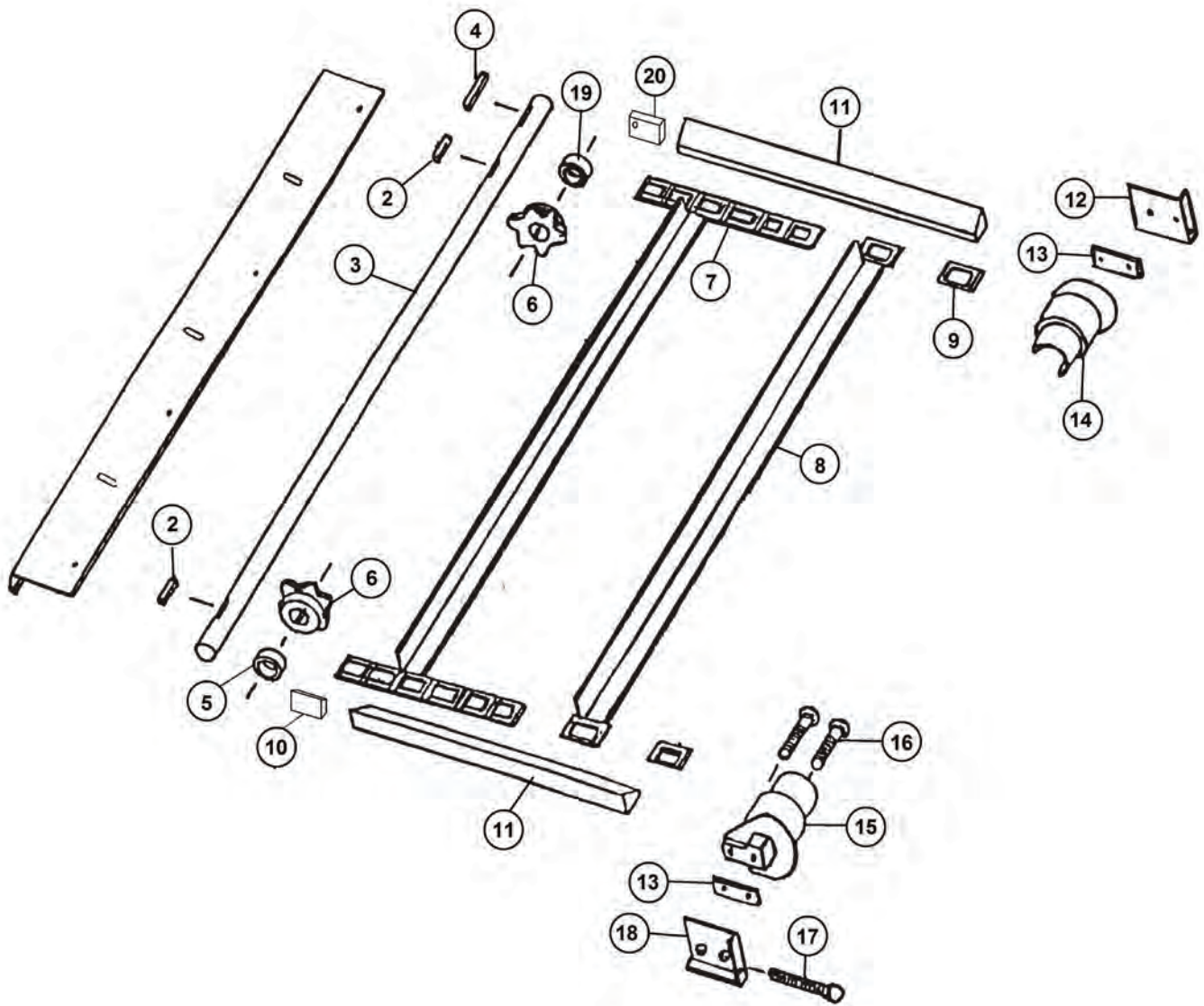


# FIGURE 5

## HYDRAULIC ENDGATE ASSEMBLY

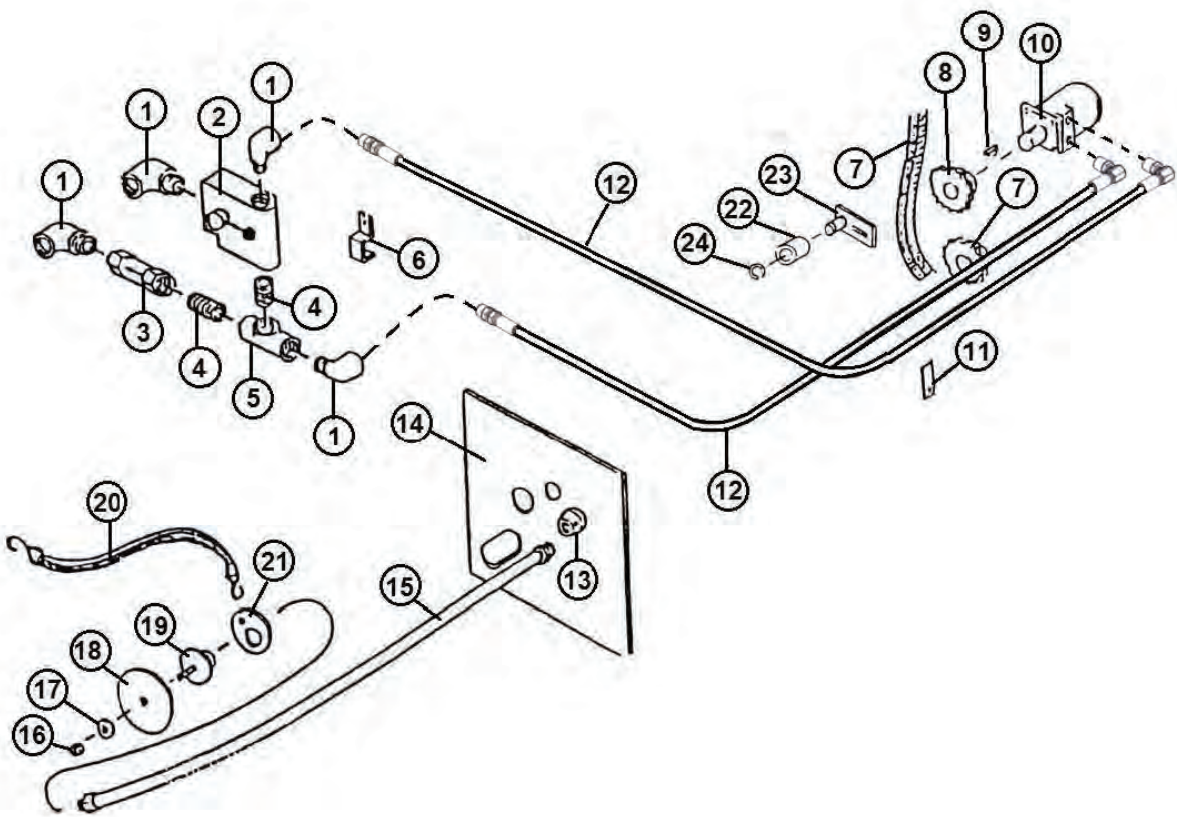
REF #	PART #	DESCRIPTION	QTY
1	23N298	TAILGATE FRAME	1
2	23N99	SIDE RUBBER RH	1
3	23N100	SIDE RUBBER LH	1
4	23N233	TAILGATE BRACKET	1
5	31N37A	TAILGATE PLYWOOD W/FIBERGLASS	1
6	23N234	FITTING 90, 3/8NPT X 1/4NPT	1
7	23N104	TAILGATE CORNER	2
8	23N105	BOTTOM RUBBER	1
9	23N67	HOSE BRACKET	2
10	K132	SPACER	1
11	23N107	CYLINDER PIN	1
12	YPCT07005	COTTER PIN, 7/32 X 2	1
13	YPEX10015	EXPANSION PIN, 5/16 X 1-3/4	2
14	23N109	SPACER	2
15	23N299	TAILGATE MOUNT RH	1
16	56015	HYD CYLINDER, 2 X 16	2
17	23N231	TAILGATE BRACE LH	1
18	23N113	HYD HOSE, 6 X 96	1
19	23N114	HYD HOSE, 6 X 138	1
20	23N300	TAILGATE MOUNT LH	1
21	23N116	FITTING TEE, 3/8 NPT X 3/8 NPT X 3/8 NPT	2
22	YWFL16005	WASHER FLAT, 1/2	19
23	31N50	HYD HOSE, 6 X 316	2
24	23N163	TAILGATE POLY HOLD DOWN	1
25	23N232	TAILGATE BRACKET	2
26	23N301	CYLINDER PIN	1
27	YBCR16021	BOLT CARR, 1/2 X 1-3-4	1
28	DWM205	MALE QUICK COUPLER	2
29	YNHX12005	NUT HEX, 3/8 G2	12
30	YBCR12015	BOLT CARRIAGE, 3/8-16 X 1-1/2 G5	12
31	YBCR12055	BOLT CARRIAGE, 3/8 X 3 G5	3
32	YBCR12040	BOLT CARRIAGE, 3/8-16 X 2-1/2, G5, ZC	2
33	YWFL14005	WASHER FLAT, 7/16	13
34	YBCR12035	BOLT CARRIAGE, 3/8 X 2 G5	3







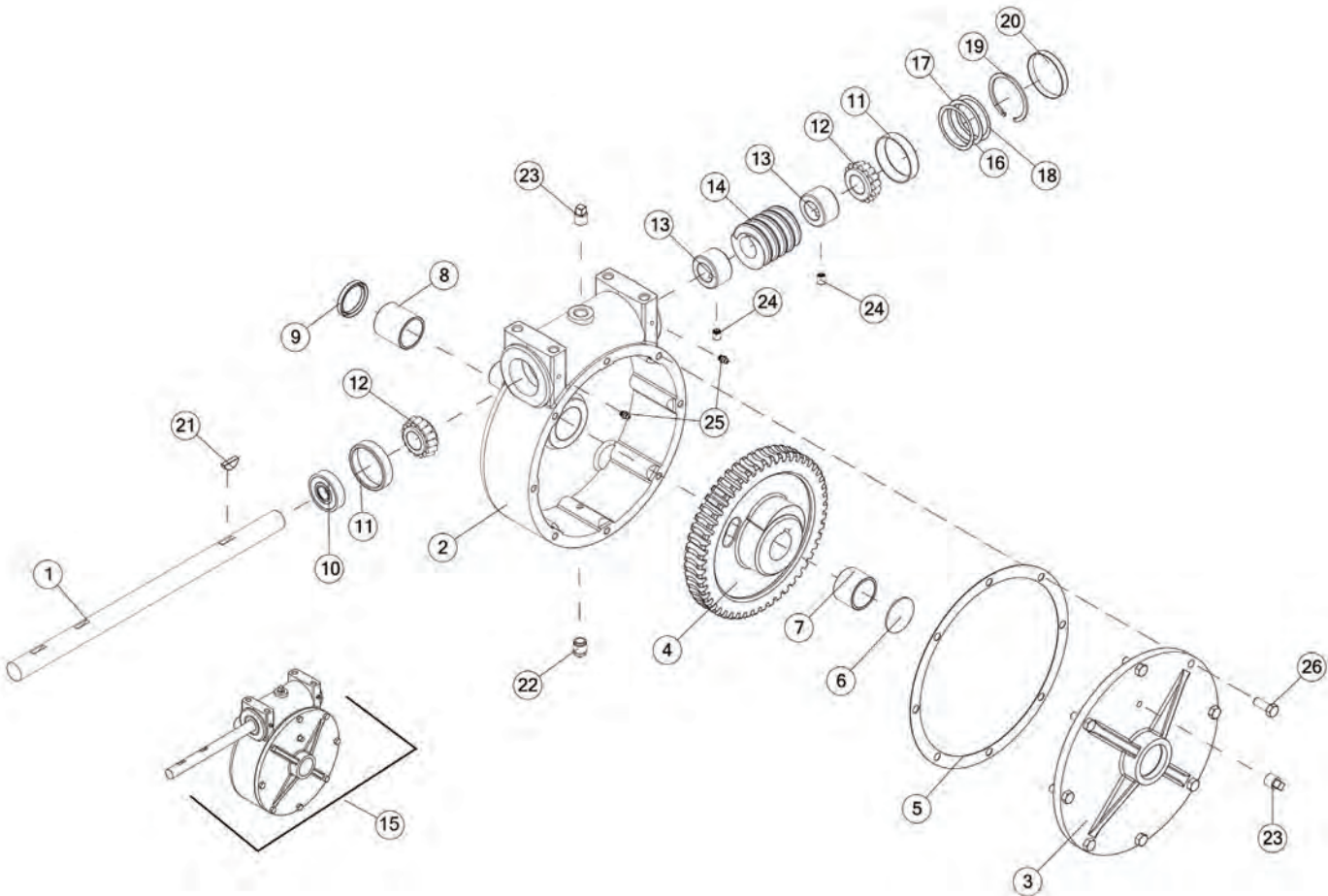




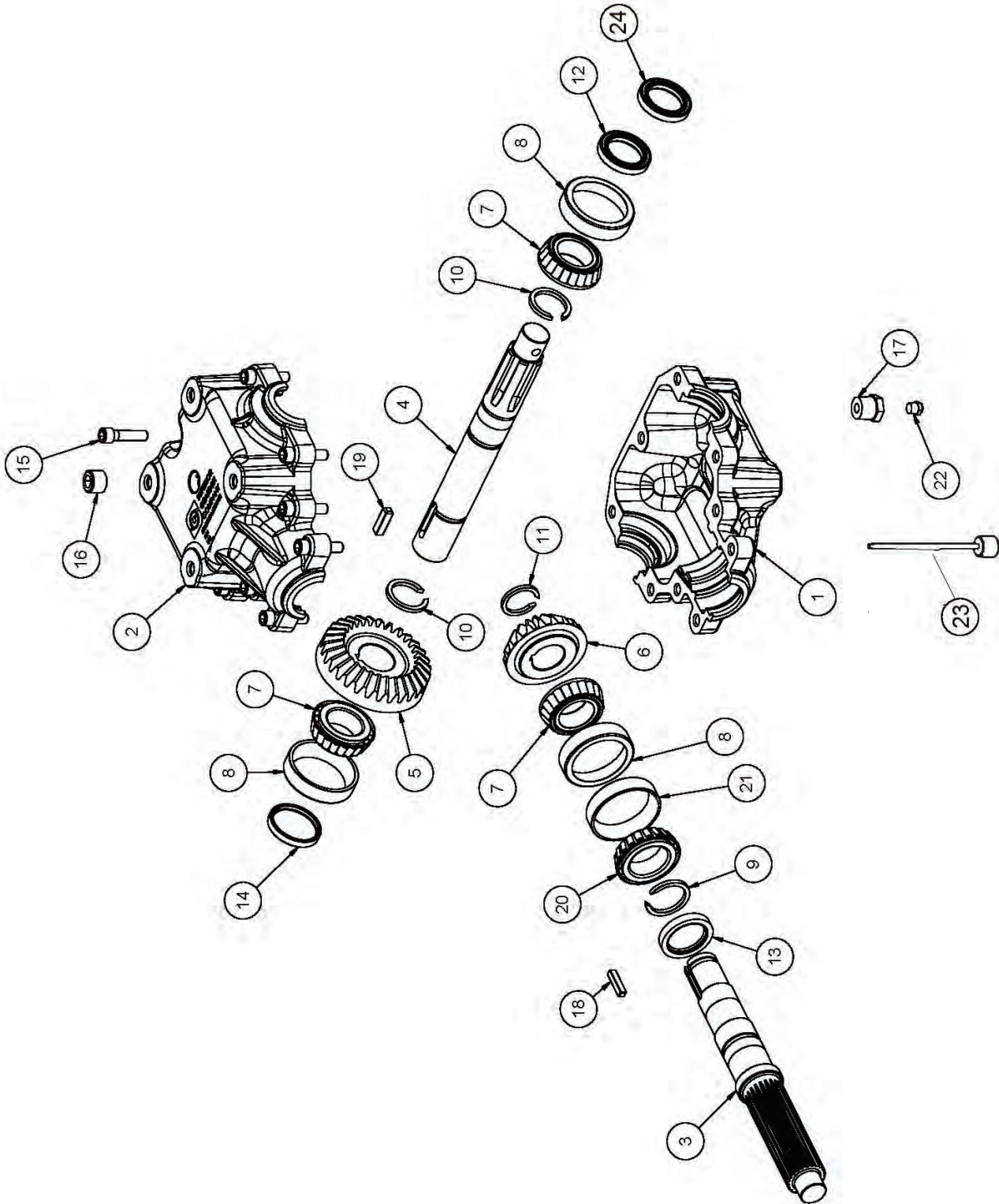




**FIGURE 8**  
**WORM GEARBOX ASSEMBLY**





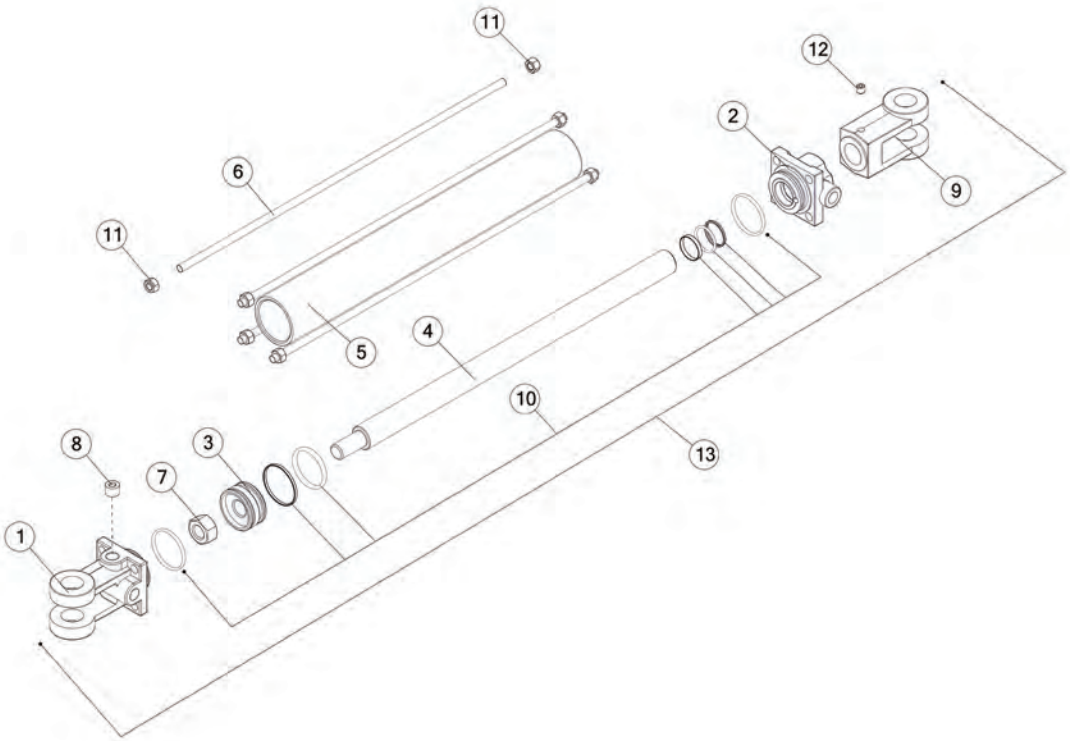






# FIGURE 10

## HYDRAULIC CYLINDER



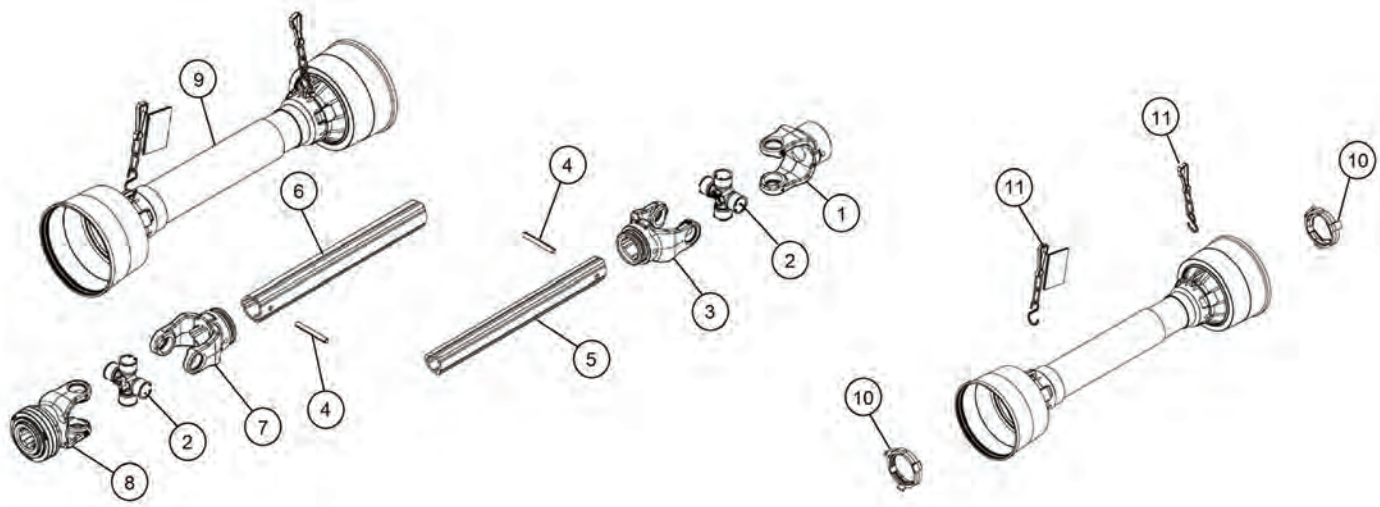






# FIGURE 11

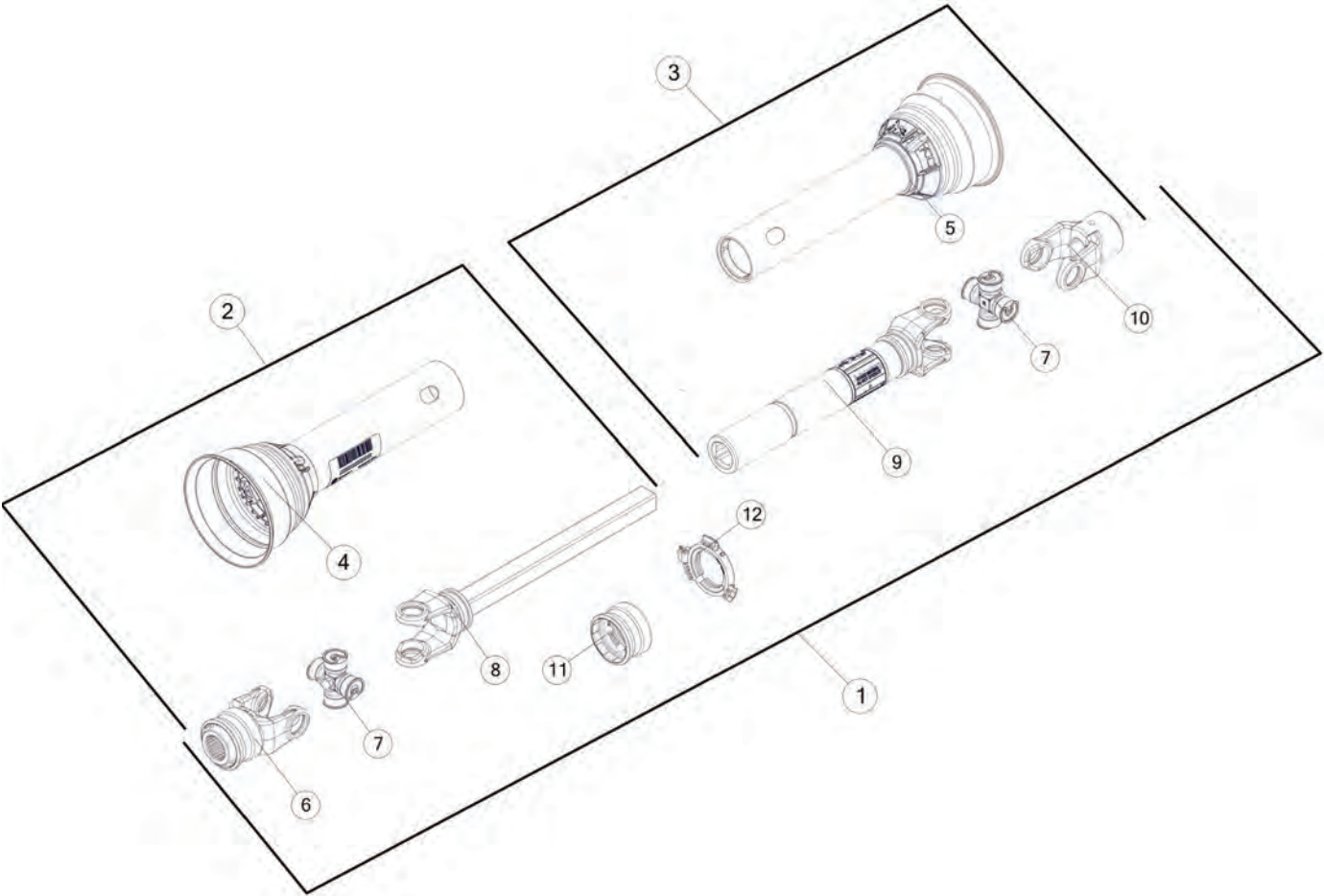
## PTO ASSEMBLY







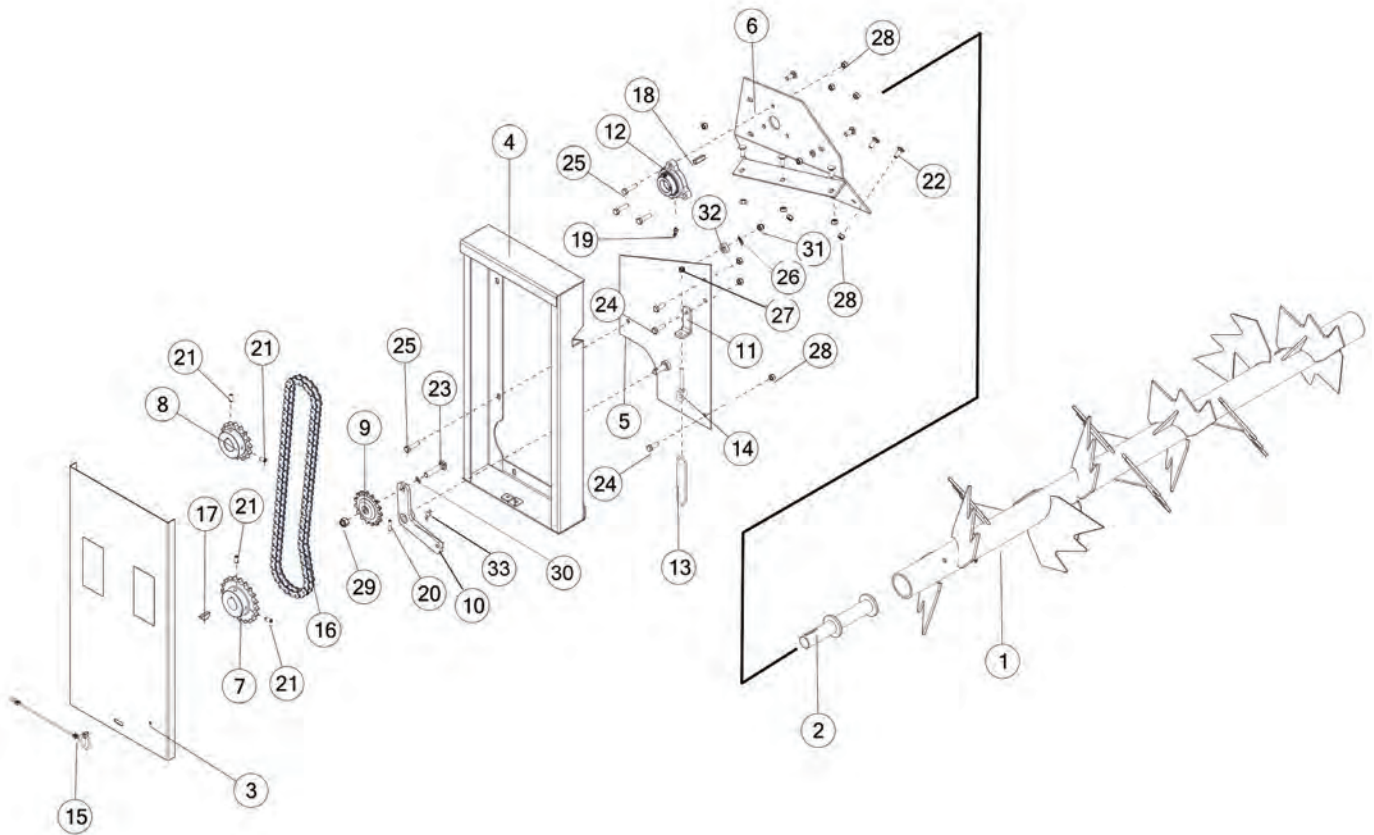
**FIGURE 12**  
PTO ASSEMBLY (1000RPM)







**FIGURE 13**  
**OPTIONAL 2ND BEATER LH**





# FIGURE 13

## OPTIONAL 2ND BEATER LH

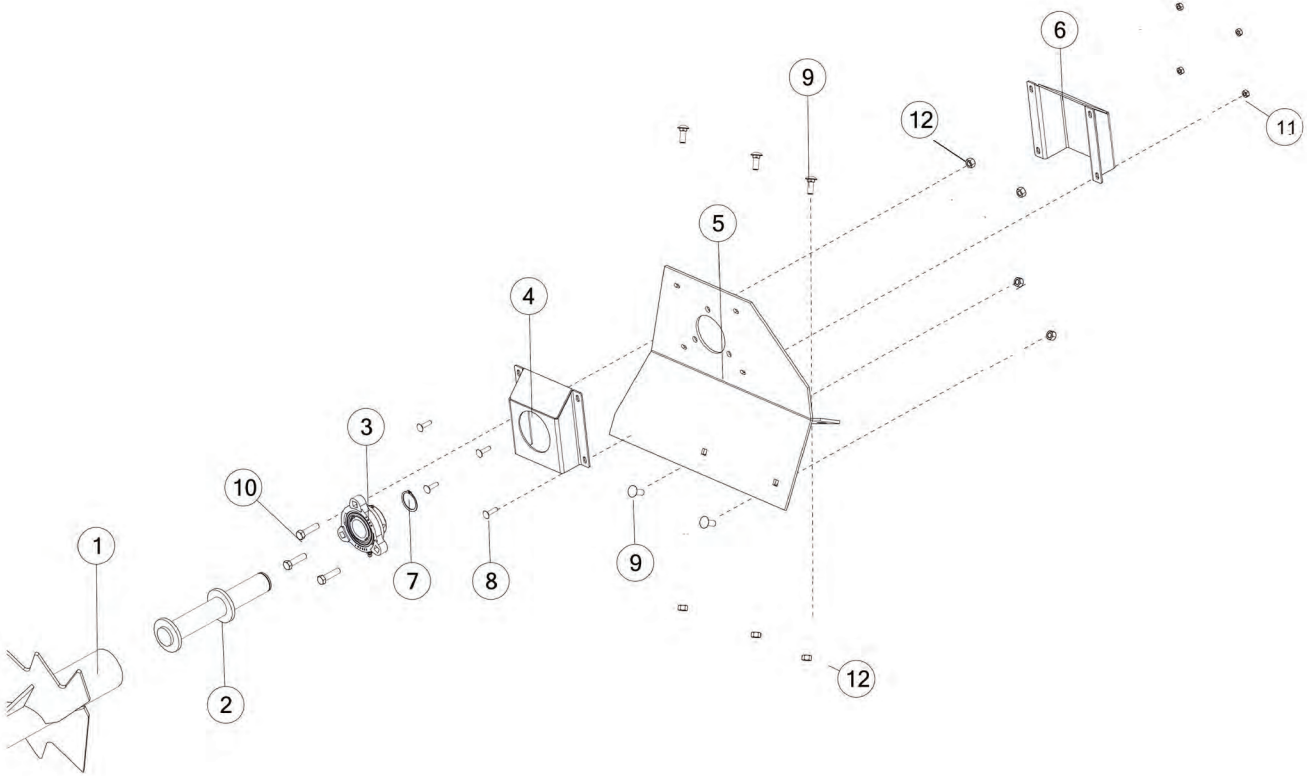
REF #	PART #	DESCRIPTION	QTY
1	80724	SECOND BEATER	1
2	80723	STUB SHAFT RH	1
3	81467	FRONT SHIELD W/DECAL	1
4	81471	BEATER SHIELD W/DECALS	1
5	81470	BACK SHIELD W/DECAL	1
6	80755	BEATER PANEL RH	1
7	80898	SPROCKET (20T)	1
8	D23	SPROCKET (16T)	1
9	12N42	IDLER SPROCKET (15T)	1
10	80728	SPRING TENSIONER ARM	1
11	80152	SPRING TENSIONER BRKT	1
12	80725	BEATER BEARING	1
13	ST36	TENSION SPRING	1
14	YBTE10039	BOLT TURNED EYE, 5/16 X 4	1
15	S122	LANYARD CLIP PIN CABLE	1
16	37N49	ROLLER CHAIN, #60	1
17	5B9	WOODRUFF KEY, 3/8 X 1-1/4	1
18	A32	SQUARE KEY, 0.38 X 0.38 X 1.38	1
19	RG21	GREASE ZERK, 45 DEGREE	1
20	YPEX08010	EXPANSION PIN, 1/4 X 1-1/4	1
21	YSKP12035	SETSCREW, 3/8 X 3/4	4
22	YBCR12010	BOLT CARRIAGE, 3/8 X 1 G5	6
23	YBCR16025	BOLT CARRIAGE, 1/2 X 2-1/2 G2	1
24	YBFB12003	BOLT FLANGE, 3/8 X 1 G5	3
25	YBFB12150	BOLT FLANGE, 3/8 X 1-1/2 G5	3
26	YWFL12005	WASHER FLAT, 3/8	3
27	YNFG10005	NUT FLANGE, 5/16 GF	1
28	YNFG12006	NUT FLANGE, 3/8 GF	12
29	YNFG16003	NUT FLANGE, 1/2 GF	1
30	YWFL14005	WASHER FLAT, 7/16	4
31	YNNY12005	NUT HEX, 3/8 LKNY G2	1
32	S246	SPACER	1
33	G89	STRAIGHT ZERK, 1/4-28 X 90	1





# FIGURE 13

## OPTIONAL 2ND BEATER RH



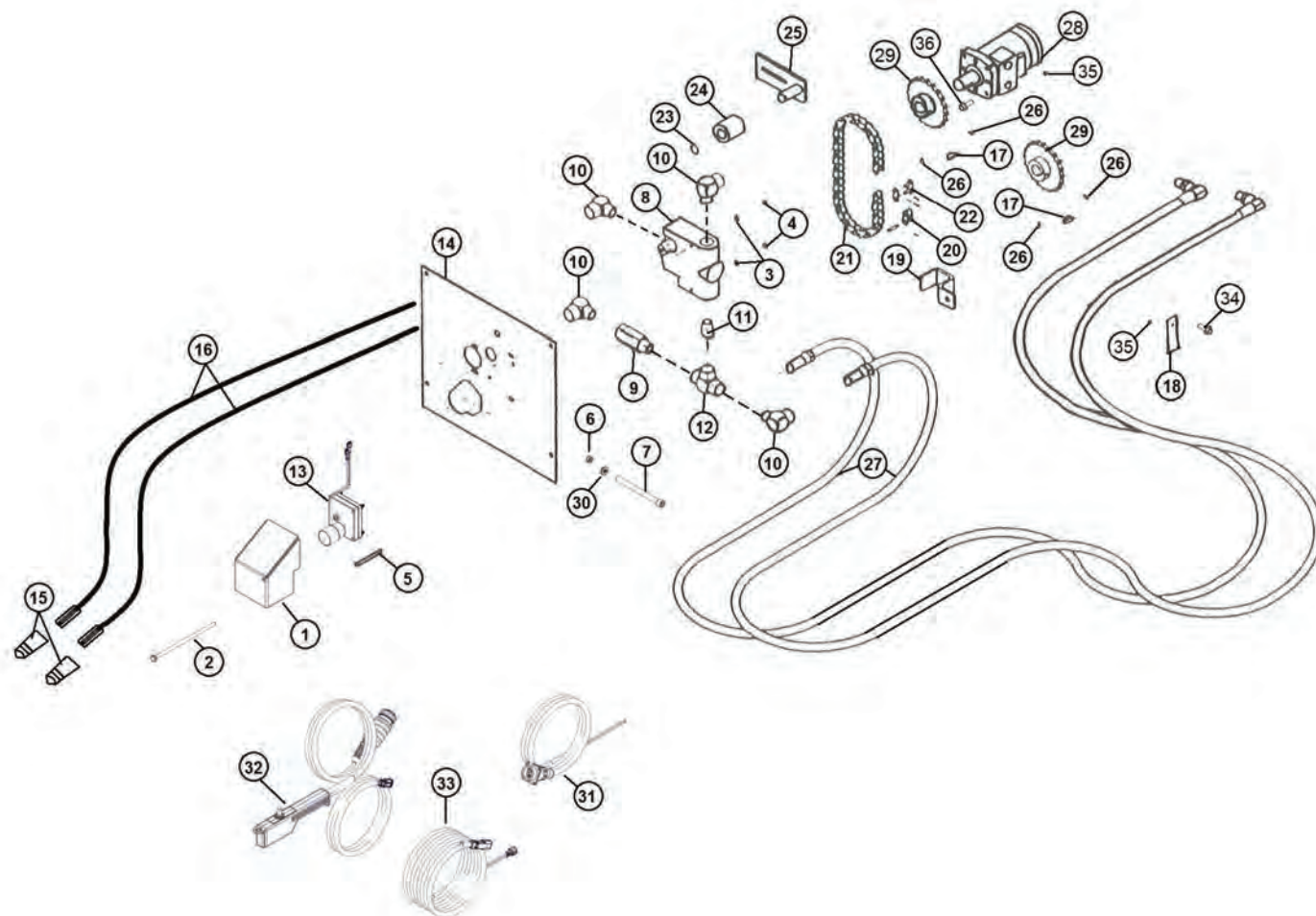






# FIGURE 14

## OPTIONAL ELECTRIC CONTROL FOR HYDRAULIC DRIVE





# FIGURE 14

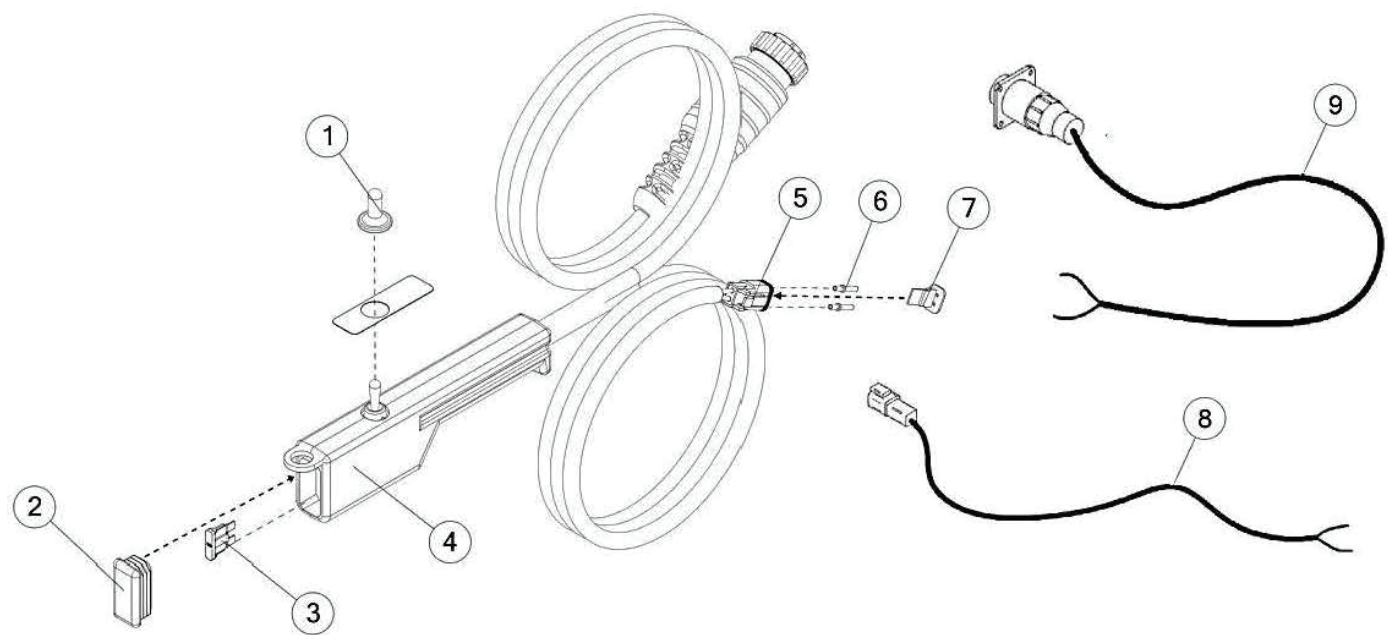
## OPTIONAL ELECTRIC CONTROL FOR HYDRAULIC DRIVE

REF #	PART #	DESCRIPTION	QTY
1	81058	MOTOR SHIELD HOLDER	1
2	YBHH08127	SHIELD BOLT	1
3	YWLO08005	WASHER LOCK, 1/4	2
4	YNLTL08005	NUT HEX, 1/4 G2	2
5	YBCR08025	BOLT CARRIAGE, 1/4 X 2-1/2 G5	2
6	YNLTL12005	NUT HEX, 3/8	1
7	YSHS12020	BOLT SOCKET, 3/8 X 4-1/2	1
8	DF15A	FLOW CONTROL	1
9	DF18	CHECK VALVE	1
10	HE58	FIT, 90, 1/2NPT X 1/2NPT	4
11	DF4	FIT, STRAIGHT, 1/2NPT X 1/2NPT	1
12	DF8	FIT, TEE, 1/2NPT X 1/2NPT X 1/2NPT	1
13	81270	GEAR MOTOR	1
14	23N133	CONTROL PANEL	1
15	DWM205	MALE QUICK COUPLER	2
16	23N309	HYDRAULIC HOSE, 8 X 96	2
17	5B10	WOODRUFF KEY, 1/4 X 1	2
18	HE42	HOSE HOLDER	1
19	HE14	PIPE BRACKET	1
20	X60	OFFSET LINK (#50)	1
21	23N131	ROLLER CHAIN (#50, 40 PITCHES)	1
22	X61	CONNECTOR LINK (#50)	1
23	10R32	EXTERNAL SNAP RING	1
24	23N238	CHAIN TIGHTENER ROLLER	1
25	L10R35	TIGHTENER BRAKET	1
26	YSKP10010	SCREW, SOCKET HEAD 5/16 X 3/8	2
27	77330	HYDRAULIC HOSE, 6, 224IN	2
28	DF1	HYDRAULIC MOTOR	1
29	11S19	DRIVE SPROCKET (20T)	1
30	YWLO12005	WASHER LOCK, 1/4	1
31	16SV269	TRACTOR CONTROL HARNESS	1
32	63365	HAND CONTROLLER	1
33	16SV272	POWER SUPPLY CABLE	1
34	YBFB12225	BOLT FLANGE, 3/8 X 2-1/4 G5	1
35	YNFG12006	NUT FLANGE, 3/8 GF	2
36	YBFB12075	BOLT FLANGE, 3/8 X 3/4 G5	1





**FIGURE 15**  
**ELECTRIC CONTROL**

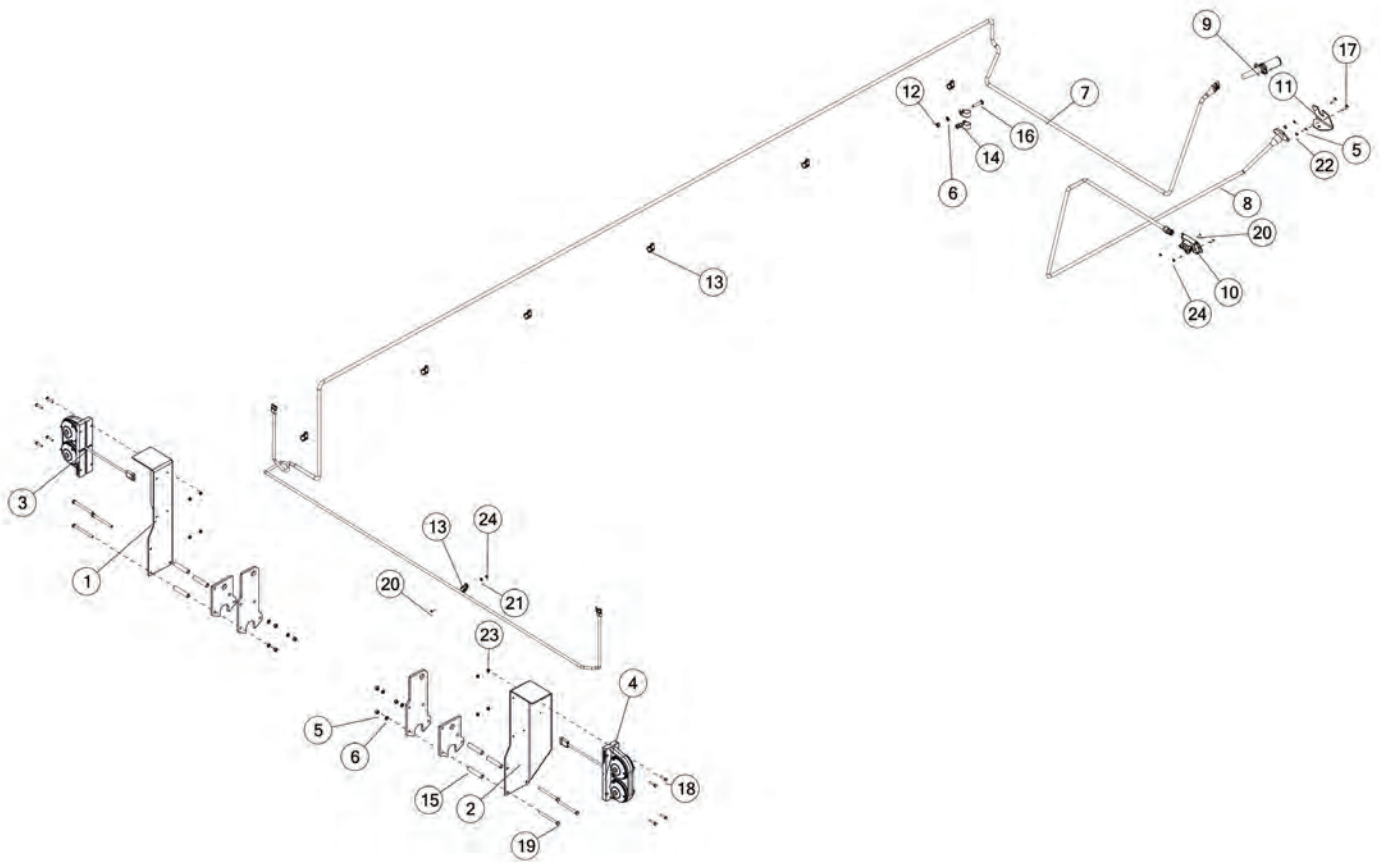






# FIGURE 16

## LIGHT KIT











H&S MFG. CO.  
products approved  
for the  
FEMA  
SEAL OF QUALITY



Manufactured by:  
H&S MANUFACTURING CO., INC.  
2608 S. HUME AVE. MARSHFIELD, WI 54449  
(715) 387-3414 | hsmfgco.com

