



3237

**MANURE SPREADER
PARTS BOOK**

Part #85975 HSMFG100521 Rev. #03 Starting Ser. #222MS37021

STRONG HERITAGE - STRONG PEOPLE - STRONGER FUTURE

CONTENTS

Instructions for Ordering Parts	1
Figure 1 - Beater and Pan Assembly.	2-3
Figure 2 - Hub,Spindle and Box Parts.	4-5
Figure 3 - Front Shield and Drive Assembly.	6-9
Figure 4 - Back Shield and Drive Assembly.	10-13
Figure 5 - Hydraulic Endgate Assembly	14-15
Figure 6 - Apron Chain Assembly.	16 -17
Figure 7 - Optional Hydraulic Drive Assembly..	18-19
Figure 8 - Worm Gearbox Assembly.	20-21
Figure 9 - Bevel Gearbox.	22-23
Figure 10 - Hydraulic Cylinder	24-25
Figure 11 - PTO Assembly.	26-27
Figure 12 - PTO Assembly (1000 RPM)	28-29
Figure 13 - Optional Second Beater.	30-33
Figure 14 - Optional Electric Control for Hydraulic Drive	34-35
Figure 15 - Electric Control for Hydraulic Drive.	36-37
Figure 16 - Optional Light Kit	38-39
Parts Notes	40

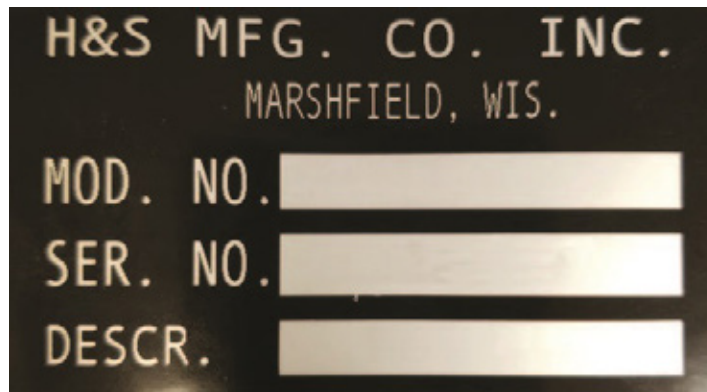
INSTRUCTIONS FOR ORDERING PARTS

All service parts should be ordered through your authorized H&S dealer. He will be able to give you faster service if you will provide them with the following:

1. Model & Serial Number - Both can be located on the front PTO bearing support mount.
2. All references to left or right apply to the machine as viewed from the rear.
3. Parts should not be ordered from illustration only. Please order complete part number.
4. If your dealer has to order parts - give shipping instructions:

VIA truck - large pieces (please specify local truck lines)

VIA United Parcel Service (include full address)



PLEASE RECORD NUMBERS FOR YOUR UNIT FOR QUICK REFERENCE

ABOUT IMPROVEMENTS

H&S IS CONTINUALLY STRIVING TO IMPROVE ITS PRODUCTS

We must, therefore, reserve the right to make improvements or changes whenever it becomes practical to do so, without incurring any obligation to make changes or additions to the equipment previously sold.

FIGURE 1 BEATER & PAN ASSEMBLY

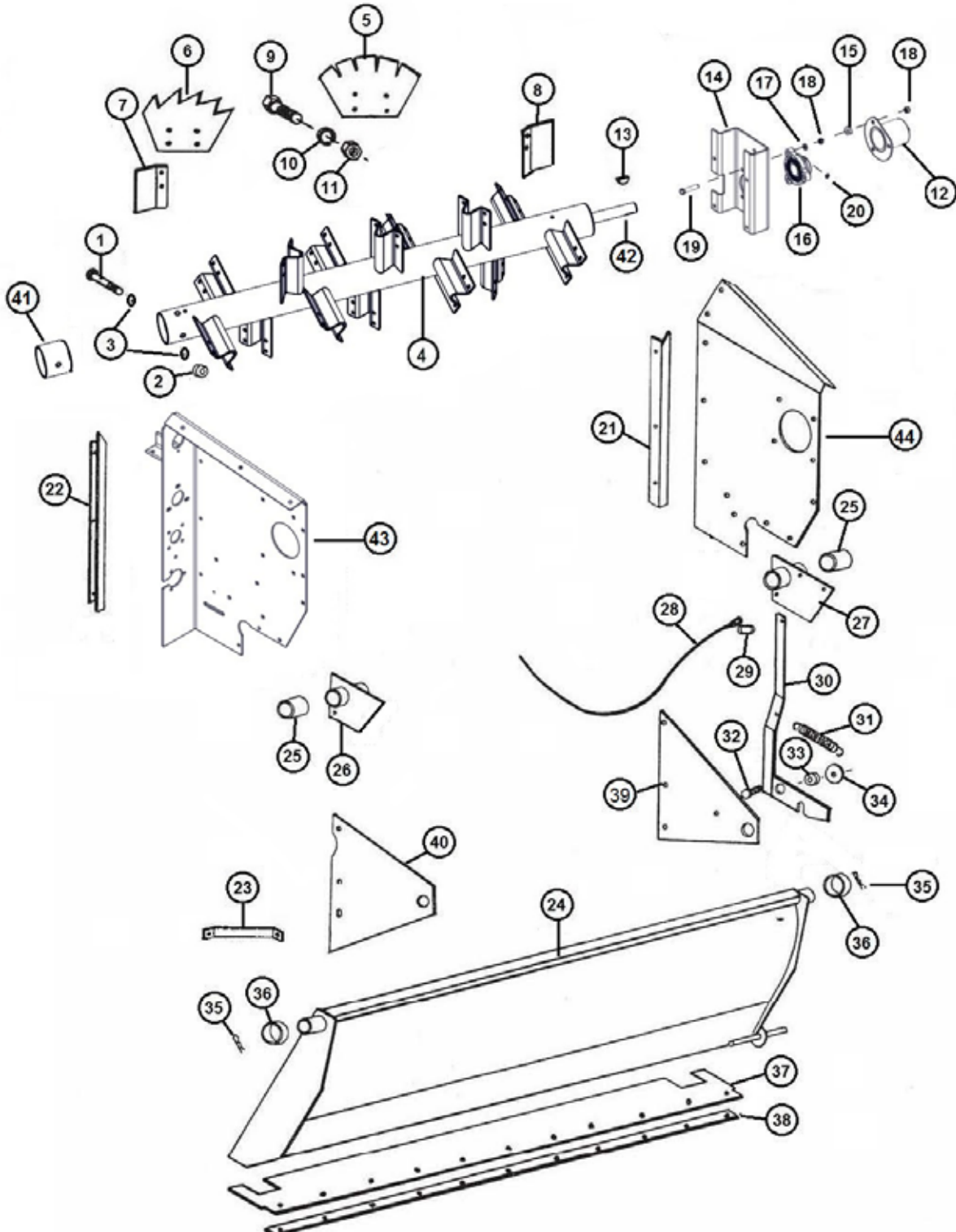


FIGURE 1

BEATER & PAN ASSEMBLY

<u>ITEM</u>	<u>QTY</u>	<u>PART#</u>	<u>DESCRIPTION</u>
1	1	YBHH10130	BOLT HEX, 5/16 X 5 G5
2	1	YNRL10005	HEX NUT, SIDE LOCK, 5/16 G5
3	2	YWFL10005	WASHER FLAT, 5/16
4	1	81161	BEATER
5	6	23N276	BEATER BLADE
6	8	23N277	BEATER BLADE
7	1	23N7	WIPER LH
8	1	23N8	WIPER RH
9	56	YBHH16045	BOLT HEX, 1/2 X 1-1/4 G5
10	56	YWLO16005	WASHER LOCK, 1/2
11	56	YNTL16005	NUT HEX, TOP LOCK, 1/2
12	1	82910	BEARING COVER
13	1	5B9	WOODRUFF KEY, 3/8 X 1-1/4
14	1	80794	SHAFT SUPPORT
15	3	82944	SPACER
16	1	80725	BEATER BEARING
17	3	YWLO12005	WASHER LOCK, 3/8
18	6	YNFG12006	NUT FLANGE, 3/8 GF
19	3	YBFB12200	BOLT FLANGE, 3/8 X 2 G5
20	1	RG21	GREASE ZERK, 45
21	1	37N1	SIDE POLY HOLD DOWN RH
22	1	37N2	SIDE POLY HOLD DOWN LH
23	1	23N26	BRACKET
24	1	37N4	PAN
25	2	23N17	DRIVE SHAFT BUSHING
26	1	37N78	DRIVE SHAFT BRACKET LH
27	1	23N19	DRIVE SHAFT BRACKET RH
28	1	37N5	PAN TRIP ROPE
29	1	R31	CLIP
30	1	3N21	PAN TRIP LEVER
31	1	R27	SPRING
32	1	YBCR16010	BOLT CARRIAGE, 1/2 X 1-1/2 G5
33	1	23N23	TRIP LEVER SPACER
34	1	YWFL16005	WASHER FLAT, 1/2
35	2	YPCT06020	COTTER PIN, 3/16 X 2
36	2	F112	SPACER
37	1	23N24	PAN RUBBER FLAP
38	1	23N25	PAN STRAP
39	1	23N29	PAN SUPPORT RH
40	1	88111	PAN SUPPORT LH
41	1	23N2	SPLINED BEATER INSERT
42	1	80791	BEATER STUB SHAFT
43	1	86164	MAIN PANEL LH
44	1	37N4	MAIN PANEL RH

FIGURE 2 HUB, SPINDLE & BOX PARTS

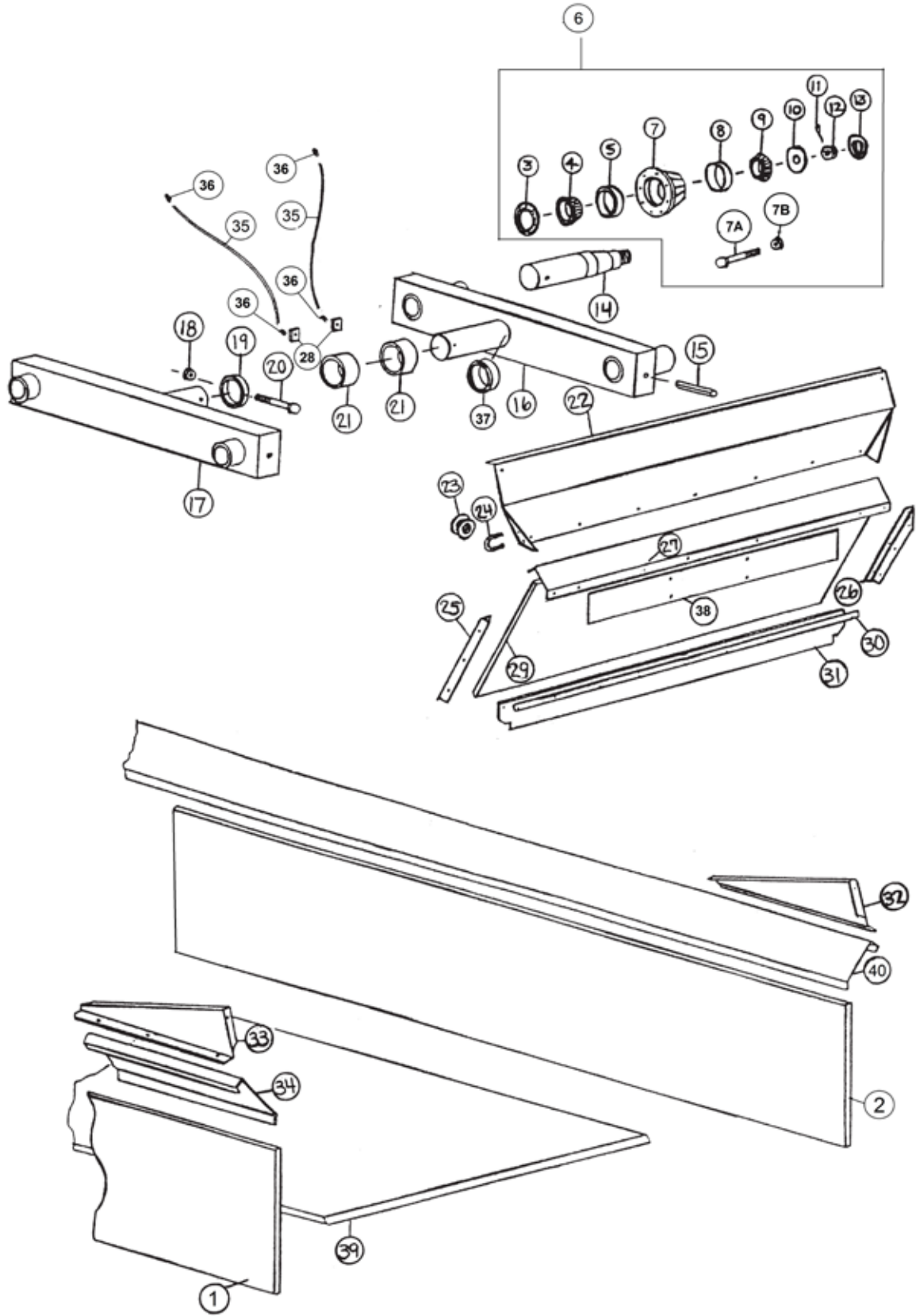


FIGURE 2

HUB, SPINDLE & BOX PARTS

<u>ITEM</u>	<u>QTY</u>	<u>PART#</u>	<u>DESCRIPTION</u>
1	1	37N67A	BONDED POLY/PLYWOOD SIDE RH
2	1	37N68A	BONDED POLY/PLYWOOD SIDE LH
*	2	12V36	WHEEL, 16.1 X 14, 8 BOLT
*	2	23N179	WHEEL, 8.25 X 22.5, 8 BOLT
*	2	UR19	TIRE, 295/75R22.5, RECAP, HIGHWAY TREAD
3	2	B90	SEAL
4	2	B91	INNER BEARING
5	2	B91A	INNER RACE
6	2	26G4A	COMPLETE HUB
7	12	53403	HUB WITH RACES
7A	2	YBSD20010	STUD BOLT, 5/8 X 2 1/4
7B	2	YNWL2005	WHEEL NUT, 5/8
8	2	B94A	OUTER RACE
9	2	B94	OUTER BEARING
10	2	YWFL28005	WASHER, FLAT, 7/8
11	2	YPCT05020	COTTER PIN, 5/32 X 1-3/4
12	2	YNSL28005	NUT HEX, SLOTTED, 7/8
13	2	B2	HUB CAP
14	4	37N8	SPINDLE
*	1	16SV203	SPINDLE FOR 16.1 X 14 WHEEL
15	4	YPEX16020	EXPANSION PIN, 1/2 X 4
16	1	37N85	TANDEM AXLE LH
17	1	37N84	TANDEM AXLE RH
18	2	YNTL16005	NUT HEX, TOP LOCK, 1/2
19	2	37N86	RING
20	2	YBHH16150	BOLT HEX, 1/2 X 4-3/4 G5
21	2	B58	POLY BUSHING
22	1	23N34	FRONT FLARE
23	1	F33	SIDE CABLE GUIDE
24	1	YBPU08005	PIPE U BOLT, 1/4 X 3/4
25	1	37N12	PLYWOOD ANGLE RH
26	1	37N13	PLYWOOD ANGLE LH
27	1	23N176	FRONT END BRACE
28	1	16V9	GREASE ZERK BRACKET
29	1	37N65A	POLY PLYWOOD
30	1	23N40	STRAP FOR RUBBER
31	1	23N41	FRONT GATE RUBBER
32	1	23N42	SPLASH GUARD LH
33	1	23N43	SPLASH GUARD RH
34	4	37N16	SIDE FLARE RH
35	1	31N43	GREASE LINE
36	4	S47	GREASE LINE FITTING
37	1	B111	BUSHING
38	2	37N51	FRONT PANEL
39	2	37N81	SOLID POLY FLOOR
40	4	37N17	SIDE FLARE LH

*MEANS NOT SHOWN

FIGURE 3 **FRONT SHIELD & DRIVE ASSEMBLY**

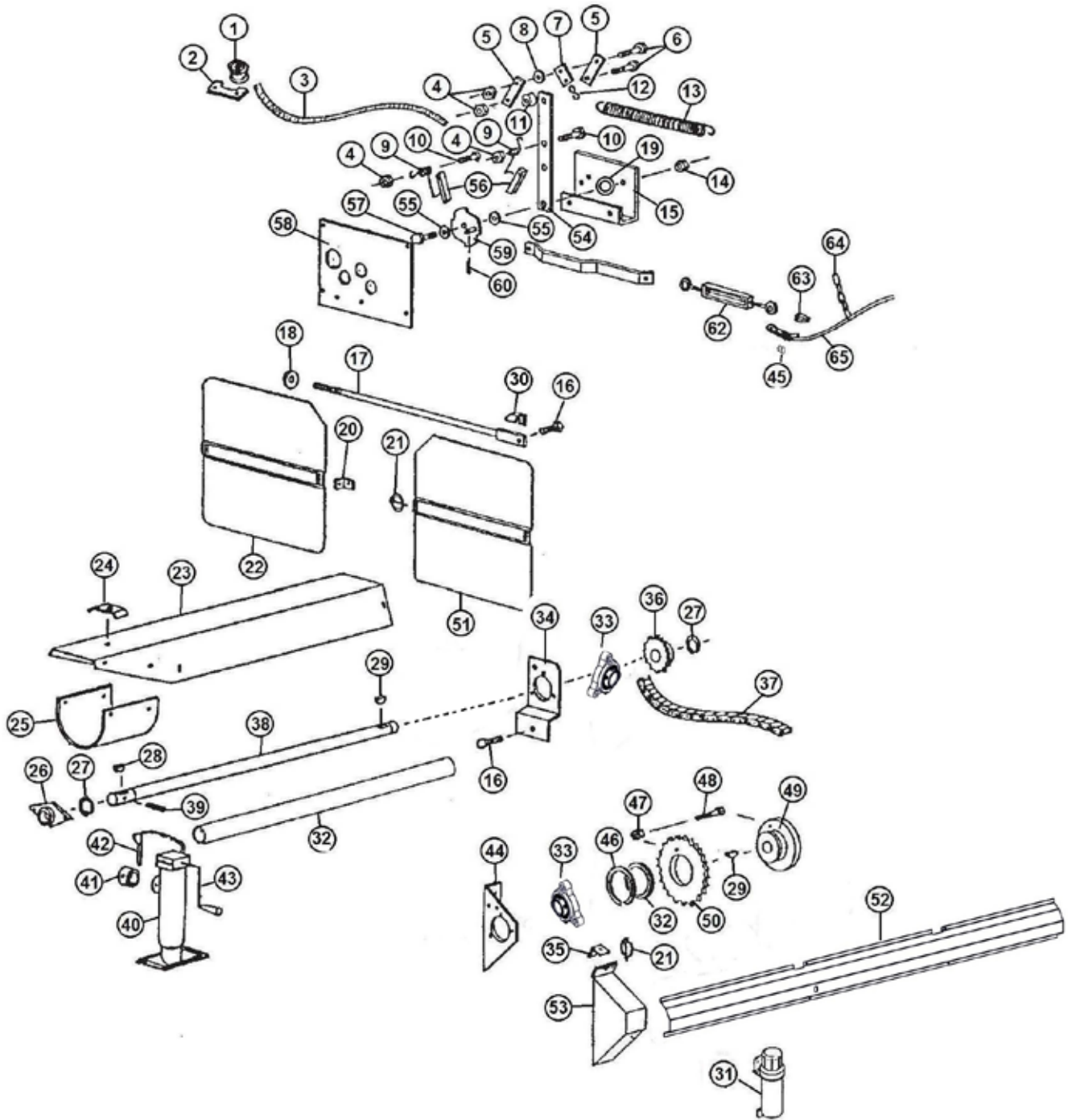


FIGURE 3

FRONT SHIELD & DRIVE ASSEMBLY

<u>ITEM</u>	<u>QTY</u>	<u>PART#</u>	<u>DESCRIPTION</u>
1	1	F33	CABLE GUIDE
2	1	23N182	BRACKET
3	1	77192	ROPE, 5/16, 180
4	4	YNTL12005	NUT HEX, 3/8
5	2	23N184	BRACKET
6	2	YBHH12035	BOLT HEX 3/8 X 1-1/4 G5
7	1	23N185	SPRING BRACKET
8	1	YWFL12005	WASHER FLAT, 3/8
9	1	23N186	DOG SPRING
10	2	YBHH12010	BOLT HEX, 3/8 X 1 G5
11	1	D107	SPACER
12	1	X79	S- HOOK
13	1	23N187	SPRING
14	1	YNHX16005	NUT HEX, 1/2
15	1	23N188	SHIFTER BRACKET
16	2	YBFB16150	BOLT FLANGE, 1/2 X 1-1/2 G5
17	1	23N63	TIGHTENER ROD
18	1	F129	WASHER
19	1	31N51	SHIFTER SPACER WASHER
20	1	F92	SHIELD BRACKET
21	2	YPLY08010	LYNCH PIN, 1/4 X 1-1/2
22	1	23N305	FRONT SHIELD
23	1	23N66	SHIELD
24	1	23N67	TAILGATE HOSE BRACKET
*	1	HE42	HYDRAULIC DRIVE BRACKET
25	1	F54	SHIELD
26	1	12N29	BEARING
27	2	F73	SNAP RING
28	1	5B10	WOODRUFF KEY, 1/4 X 1
29	2	5B9	WOODRUFF KEY, 3/8 X 1-1/4
30	1	23N278	SPACER
31	1	S522	MANUAL HOLDER
32	1	37N74	FRONT SHAFT GUARD
33	2	80662	BEARING, 1-1/4
34	1	23N68	JACK SHAFT BRACKET
35	1	23N242	SHIELD BRACKET

***MEANS NOT SHOWN**

FIGURE 3 **FRONT SHIELD & DRIVE ASSEMBLY**

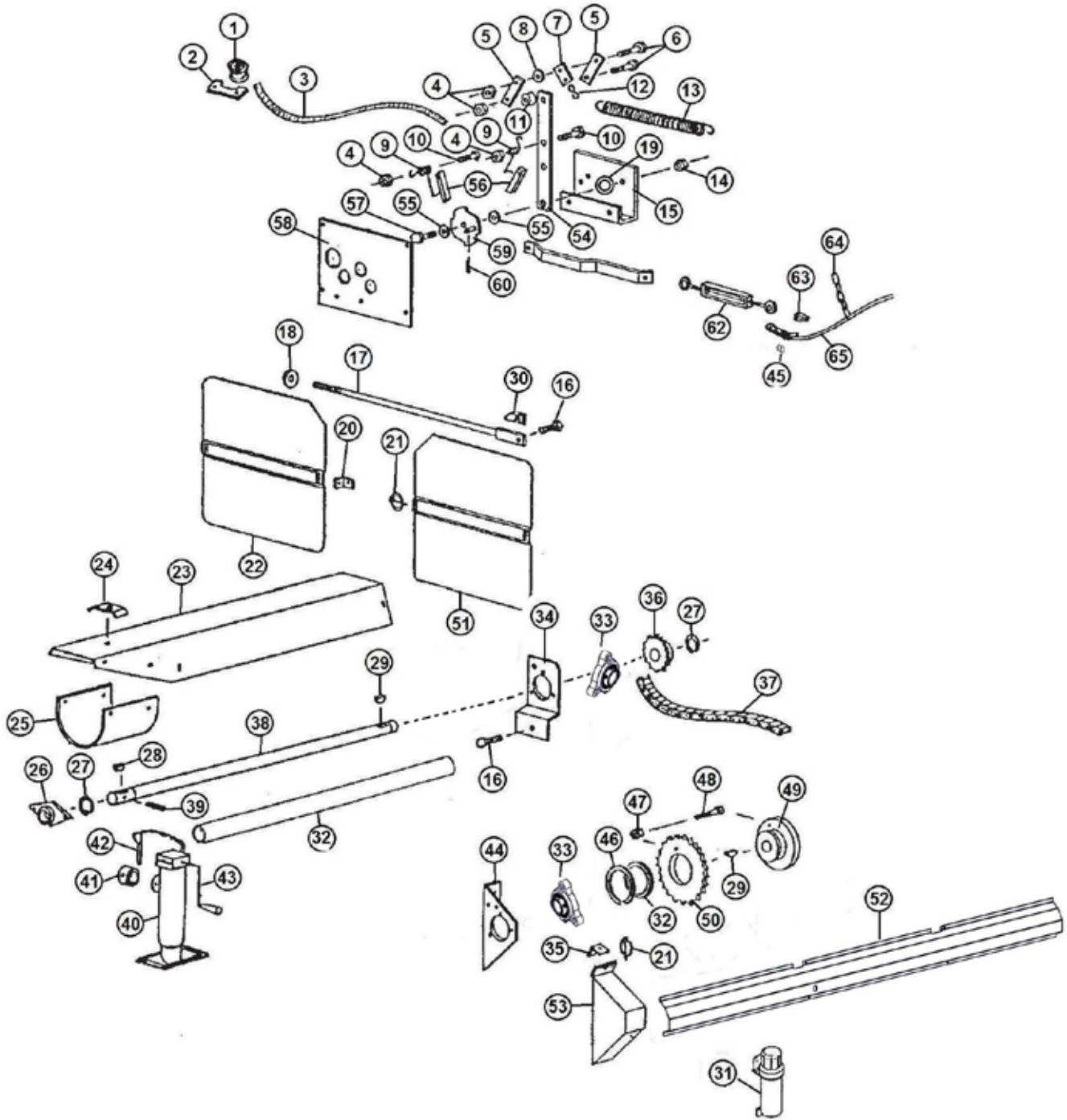


FIGURE 3

FRONT SHIELD & DRIVE ASSEMBLY

<u>ITEM</u>	<u>QTY</u>	<u>PART#</u>	<u>DESCRIPTION</u>
36	1	23N70	SPROCKET (25T)
*	1	37N72	SPROCKET (16T) (OPTIONAL 1000 RPM)
37	1	23N245	ROLLER CHAIN
38	1	23N72	FRONT SHAFT
39	1	YPEX10020	EXPANSION PIN, 5/16 X 2-1/4
40	1	27N49	JACK
*	1	12N120	JACK GEAR REPAIR KIT
41	1	27N51	JACK MOUNT
42	1	27N50	JACK PIN
43	1	12N119	HANDLE
*	1	12N118	REPLACEMENT BEARING
44	1	85014B	BEARING PLATE
45	1	ES15	CABLE CLAMP, 1/8
46	1	23N189	SNAP RING
47	1	YNTL12005	NUT HEX, TOP LOCK, 3/8
48	1	YBHH12025	BOLT HEX, 3/8 X 1-1/2 G5
49	1	45N71	SHEAR HUB
50	1	C1MS01	SHEAR SPROCKET
51	1	23N306	FRONT SHIELD LH
52	1	86122B	SIDE SHIELD
53	1	85034B	SHIELD
54	1	23N192	FRONT SHIFTER ARM
55	2	YWFL16005	WASHER FLAT, 1/2 USS
56	2	23N193	DOG
57	1	YBHH16055	BOLT HEX, 1/2 X 1-3/4 G5
58	1	23N195	SHIFTER PANEL
59	1	23N196	SPEED SELECTOR
60	1	YPCT04005	COTTER PIN, 1/8 X 1
61	1	23N197	SHIFTER A RM
62	1	F84	TURNBUCKLE
63	1	ES14	CABLE LOOP
64	1	23N198	CABLE CHAIN
65	1	31N27	CABLE

*MEANS NOT SHOWN

FIGURE 4 BACK SHIELDS & DRIVE ASSEMBLY

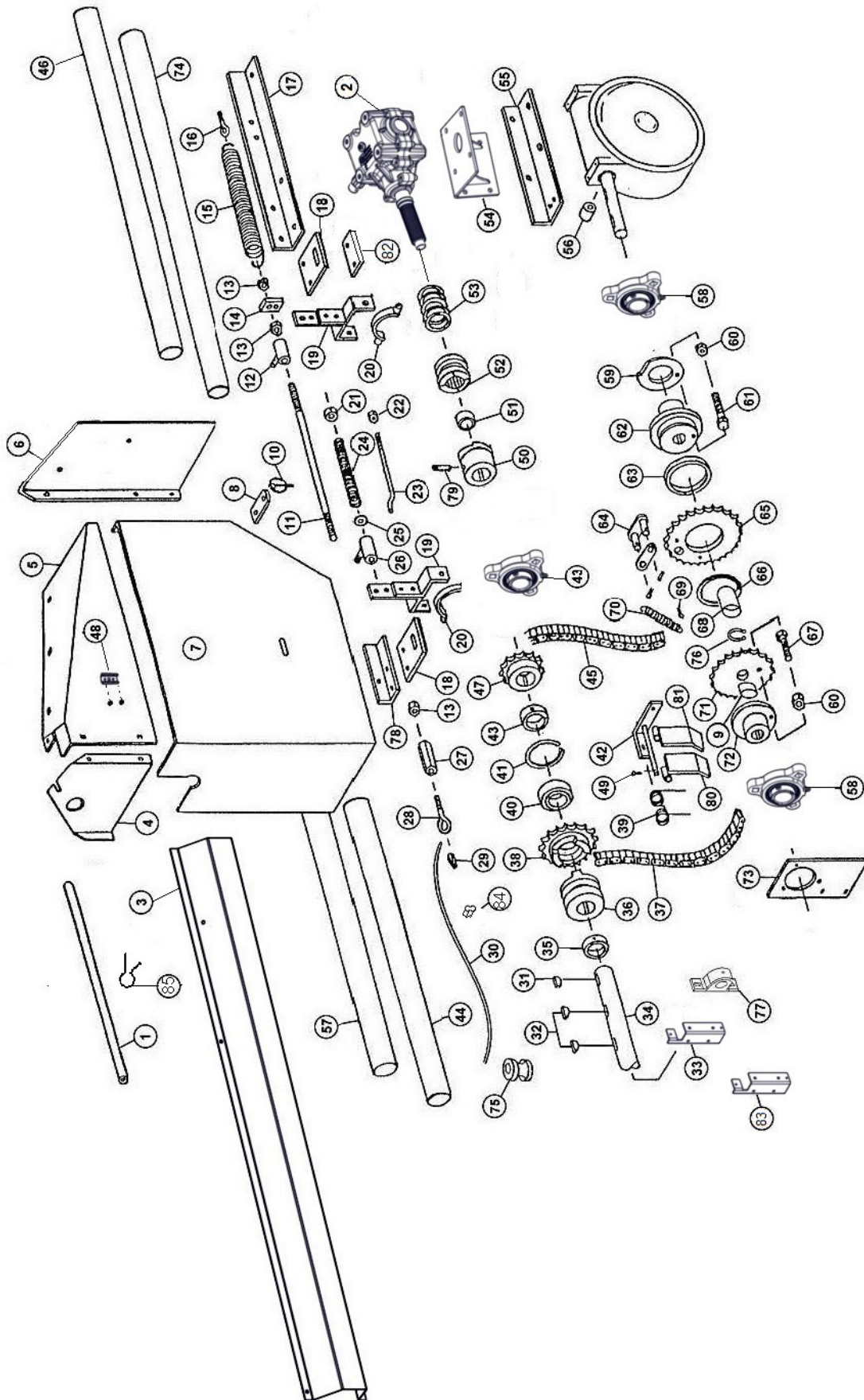


FIGURE 4

BACK SHIELDS & DRIVE ASSEMBLY

<u>ITEM</u>	<u>QTY</u>	<u>PART#</u>	<u>DESCRIPTION</u>
1	1	23N200	CABLE GUARD
2	1	85385	GEAR BOX
3	1	86123B	SIDE SHIELD
4	1	86108	SHIELD
5	1	86114	BACK SHIELD TOP
6	1	86109	BACK SHIELD
7	1	86103B	COVER
8	1	86101	SHIELD BRACKET
9	1	56027	BUSHING
10	1	S122	LYNCH PIN W/CABLE
11	1	23N205	CLUTCH ROD
12	1	23N206	SHIFTING ROD BRACKET
13	3	YNHX12005	NUT HEX, 3/8
14	1	23N207	SPRING BRACKET
15	1	K103	SPRING
16	1	YBTE08005	TURNED EYE BOLT, 1/4 X 1 FULL THREAD
17	1	85010	TOP ANGLE
18	2	85006	SHIFTER BRACKET
19	2	D57	SHIFTER LEVER
20	2	23N208	YOKE W/ ZERK
21	1	23N209	COLLAR
22	1	YNTL08005	NUT HEX, TOP LOCK, 1/4
23	1	23N210	SHIFTING ROD
24	1	23N211	SPRING BRACKET
25	1	YWFL12005	WASHER FLAT, 3/8 USS
26	1	23N206	ROD BRACKET
27	1	23N212	COUPLING NUT
28	1	YBTE12005	TURNED EYE BOLT, 3/8 X 1
29	1	ES14	CABLE LOOP
30	1	31N27	CABLE
31	1	5B9	WOODRUFF KEY, 3/8 X 1-1/4
32	2	5B10	WOODRUFF KEY, 1/4 X 1
33	1	86104	SIDE BEARING BRACKET
34	1	37N58	SIDE SHAFT
35	1	F6	COLLAR
36	1	23N215	CLUTCH THROW-OUT
37	1	23N93	CHAIN (#50 60 PITCHES)
38	1	23N216	CLUTCH SPROCKET
*	1	61138	INCLUDES (SPROCKET,BEARING,SNAP RING)
39	1	31N33	SPRING TIGHTENER
40	1	BFR525	BEARING
41	1	3G19	SNAP RING
42	1	31N36	TIGHTENER BRACKET
43	2	80662	BEARING
44	1	31N45	#1 SIDE SHAFT GUARD

***MEANS NOT SHOWN**

FIGURE 4 BACK SHIELDS & DRIVE ASSEMBLY

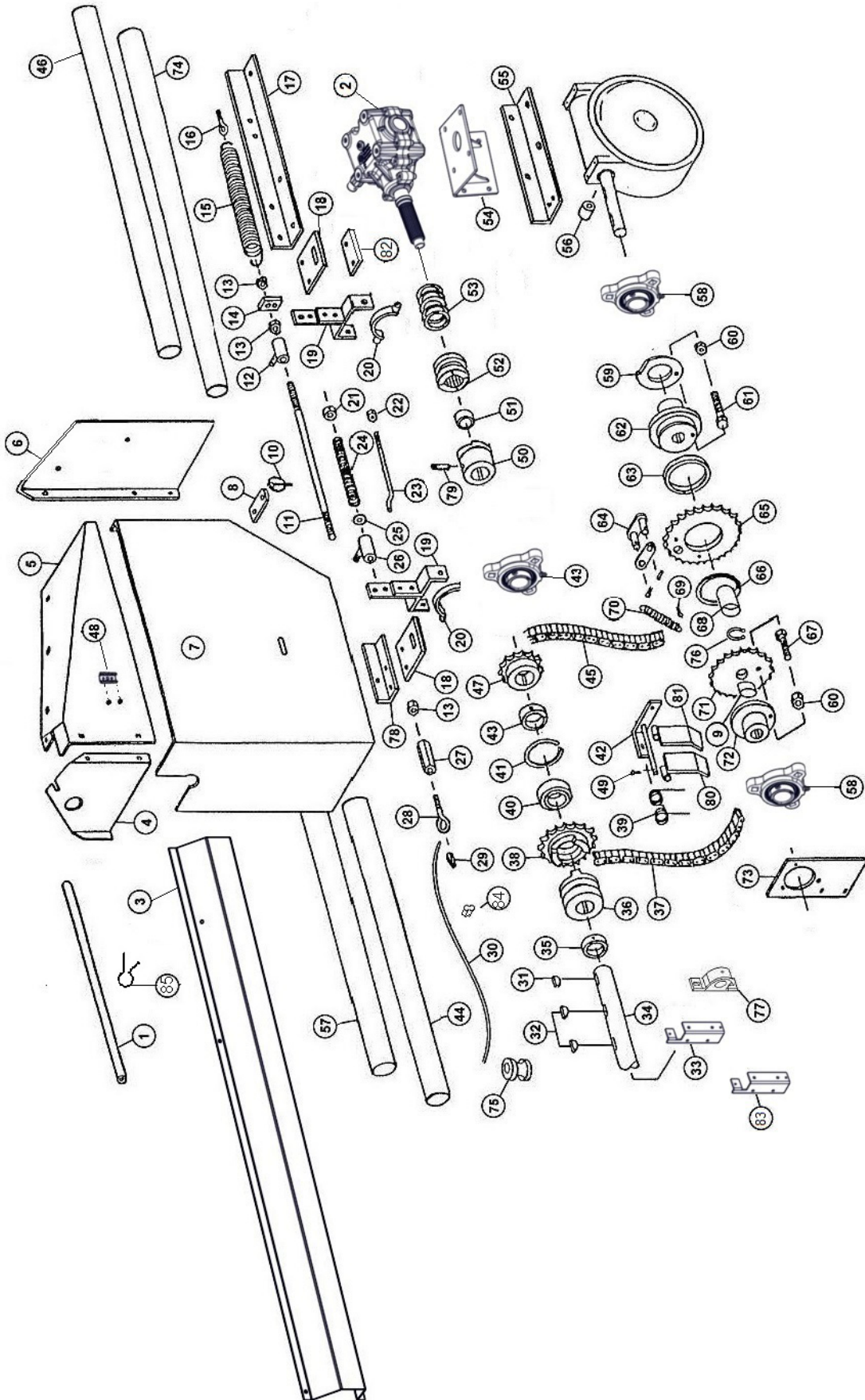


FIGURE 4

BACK SHIELDS & DRIVE ASSEMBLY

<u>ITEM</u>	<u>QTY</u>	<u>PART#</u>	<u>DESCRIPTION</u>
45	1	23N93	CHAIN (#50 60 PITCHES)
46	1	60643	#4 SIDE SHAFT GUARD
*	1	56036	SPROCKET BUSHING
47	1	10R11	SPROCKET (13T)
48	1	F97	SMV BRACKET
49	1	YPCT04005	COTTER PIN, 1/8 X 1
*	1	X60	OFFSET LINK (#50)
*	1	X61	CONNTOR (#50)
*	1	31N38	CHAIN TIGHTENER ASSEMBLY
50	1	23N241	CLUTCH
51	1	D68	BRONZE BUSHING
52	1	23N90	CLUTCH
53	1	23N89	SPRING
54	1	85205	GEARBOX BOTTOM BRACKET
55	2	23N95	WORM BOX HOLDER
56	1	85157	SIDE SHIELD
57	2	31N44	#2 SIDE SHAFT GUARD
58	1	80530	BEARING W/ SETSCREWS
59	1	23N222	SHEAR PLATE
60	1	YNTL08005	NUT HEX, TOP LOCK, 1/4
61	1	YBHH08035	BOLT HEX, 1/4 X 1-1/4 G5
62	1	23N224	SHEAR HUB
63	1	23N225	BUSHING, BRONZE
64	1	60531	CONNECTOR LINK W/ PINS
*	1	74381	SPROCKET
65	1	23N226	SPROCKET W/BUSHING
66	1	23N227	SNAP RING
67	1	YBHH08035	BOLT HEX, 1/4 X 1-1/4 G5
68	1	56029	SPACER
69	1	YPCT04005	COTTER PIN, 1/8 X 1
70	1	23N229	DOG SPRING
71	1	56026	SPROCKET
72	1	56025	SHEAR HUB
73	1	23N230	BEARING PANEL
74	1	31N46	SIDE SHAFT GUARD CABLE
75	1	F33	GUIDE
76	1	56024	EXTERNAL SNAP RING 1-1/2
77	1	12N36	PILLOW BLOCK BEARING
78	1	23N239	SHIFTER SUPPORT
79	1	YSFD12005	SET SCREW, 3/8X 3/4
80	1	31N34	TIGHTENER BAR LH
81	1	31N35	TIGHTENER BAR RH
82	1	86707	SHIFTER BRACKET SPACER
83	2	86291	SHIELD BRACKET
84	1	BFR220	CABLE CLAMP, 3/16
85	1	87705	CUSHION WIRE CLAMP, 3/8

*MEANS NOT SHOWN

FIGURE 5 HYDRAULIC ENDGATE ASSEMBLY

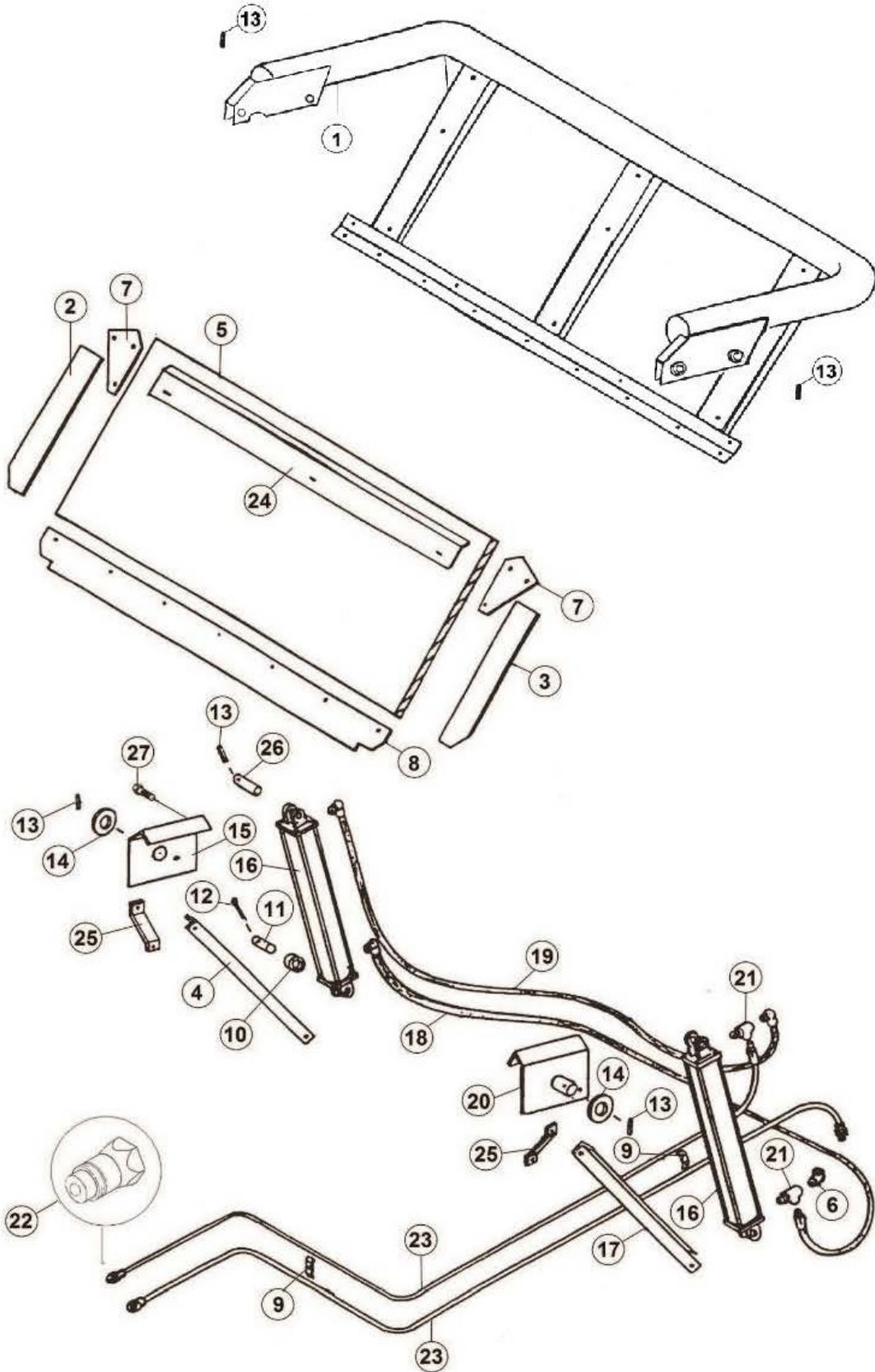


FIGURE 5

HYDRAULIC ENDGATE ASSEMBLY

<u>ITEM</u>	<u>QTY</u>	<u>PART#</u>	<u>DESCRIPTION</u>
1	1	37N34	TAILGATE FRAME
*	2	YBCR12010	BOLT CARRIAGE, 3/8 X 1 G5
*	9	YBCR12095	BOLT CARRIAGE, 3/8 X 4 G5
*	7	YBCR12020	BOLT CARRIAGE, 3/8 X 1-1/4 G5
*	16	YBCR12015	BOLT CARRIAGE, 3/8 X 1-1/2 G5
*	32	YWFL12005	WASHER, FLAT, 3/8
*	17	YWFL16005	WASHER, FLAT, 3/8
*	34	YNHX12005	NUT HEX, 3/8
*	2	37N88	TAILGATE RUBBER HOLDER
2	1	37N35	SIDE RUBBER RH
3	1	37N36	SIDE RUBBER LH
4	1	37N62	TAILGATE BRACKET BRACE RH
5	1	37N69A	TAILGATE PLYWOOD W/FIBERGLASS
6	1	58127	FITTING, 6 C6X-S
7	2	23N104	TAILGATE CORNER
8	1	23N105	BOTTOM RUBBER
9	2	23N67	FRONT HOSE BRACKET
10	1	K132	SPACER, 3/8
11	1	23N107	CYLINDER PIN
12	1	YPCT07005	COTTER PIN, 7/32 X 2
13	4	YPEX10015	EXPANSION PIN, 5/16 X 1-3/4
14	2	23N109	TAILGATE WASHER
15	1	23N110	TAILGATE MOUNT RH
16	2	69969	HYD CYL 2 X 16 W/PINS 90 DEGREE TO PORTS
17	1	37N59	TAILGATE BRACE LH
18	1	93199	HYDRAULIC HOSE 6 X 110
19	1	93200	HYDRAULIC HOSE 6 X 150
20	1	23N115	TAILGATE MOUNT LH
21	2	84276	FITING TEE, 6JIC, 6ORB, 6JIC
22	2	67148	QUICK COUPLER
23	2	93205	HYD HOSE, 6 X 328
24	1	23N163	TAILGATE POLY HOLD DOWN
25	2	23N232	TAILGATE BRACKET BRACE
26	1	23N301	CYLINDER PIN
27	1	YBCR16021	BOLT CARRIAGE, 1/2 X 1-3/4

* NOT SHOWN

FIGURE 6 **APRON CHAIN ASSEMBLY**

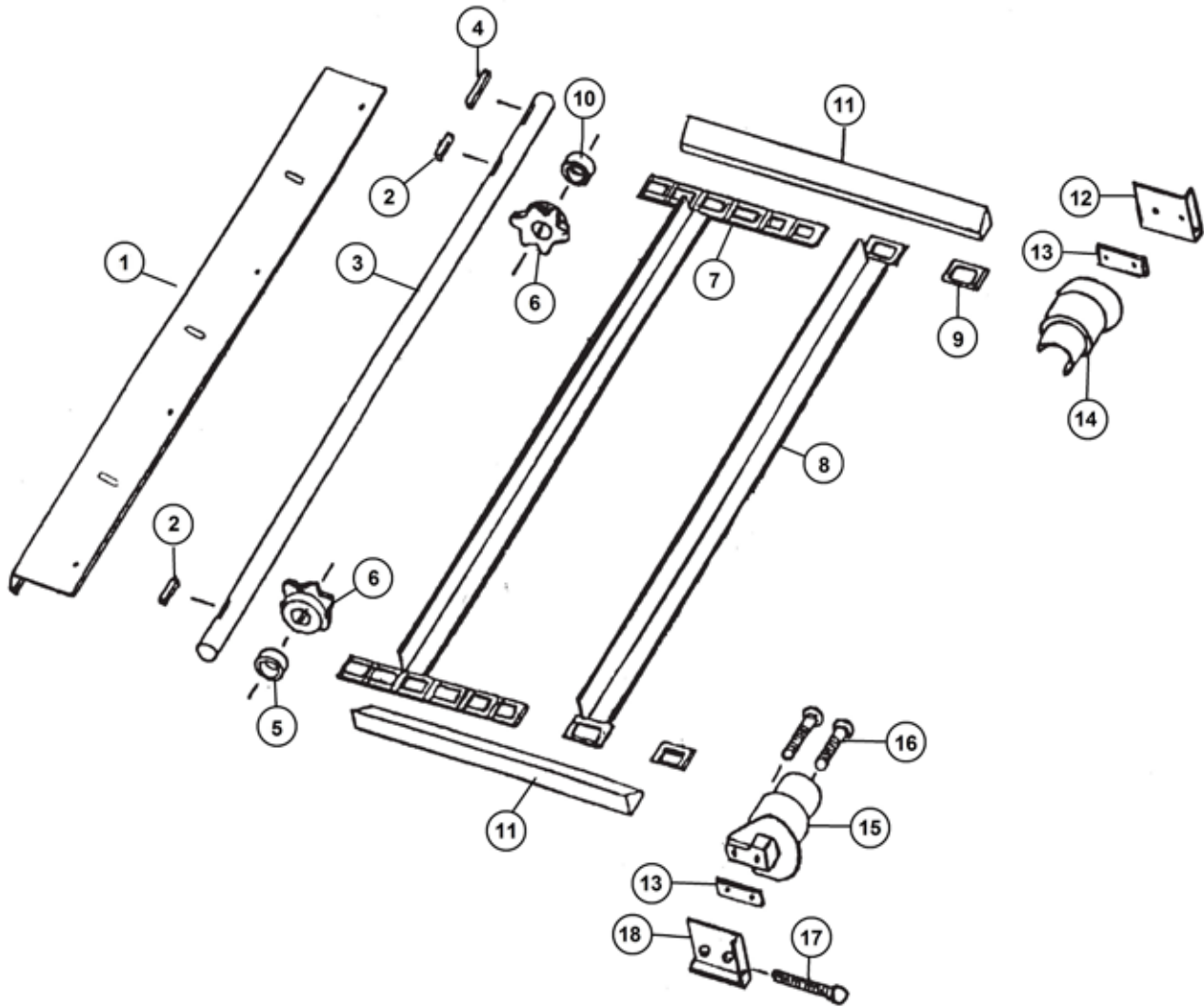


FIGURE 6

APRON CHAIN ASSEMBLY

<u>ITEM</u>	<u>QTY</u>	<u>PART#</u>	<u>DESCRIPTION</u>
1	1	37N82	DRIVE SHAFT SHIELD
2	2	23N303	SQUARE KEY, 3/8 X 1-3/4
3	1	27N19	DRIVE SHAFT
4	1	S138	SQ. KEY W/ROUND ENDS, 3/8 X 2-3/8
5	1	23N121	SPACER, 5/8
6	2	23N122	DRIVE SPROCKET (6T)
7	1	37N42	APRON CHAIN, 28 SLATS, 274 LINKS
8	28	23N124	SLAT W/ATTACHMENT LINKS
9	274	S55	T-ROD STANDARD LINK
10	1	23N266	SPACER, 5/16
11	2	37N43	APRON CHAIN SIDE SPACERS
12	1	A30	CHAIN SLIDE PLATE LH
13	2	23N126	CHAIN SLIDE SPACER
14	1	23N127	T-ROD SLIDE LH
15	1	23N128	T-ROD SLIDE RH
16	2	YBCR16045	BOLT CARRIAGE, 1/2 X 4 G5
17	1	YBHH16145	BOLT HEX, 1/2 X 4-1/2 G5
18	1	A29	CHAIN SLIDE PLATE RH

FIGURE 7 OPTIONAL HYDRAULIC DRIVE ASSEMBLY

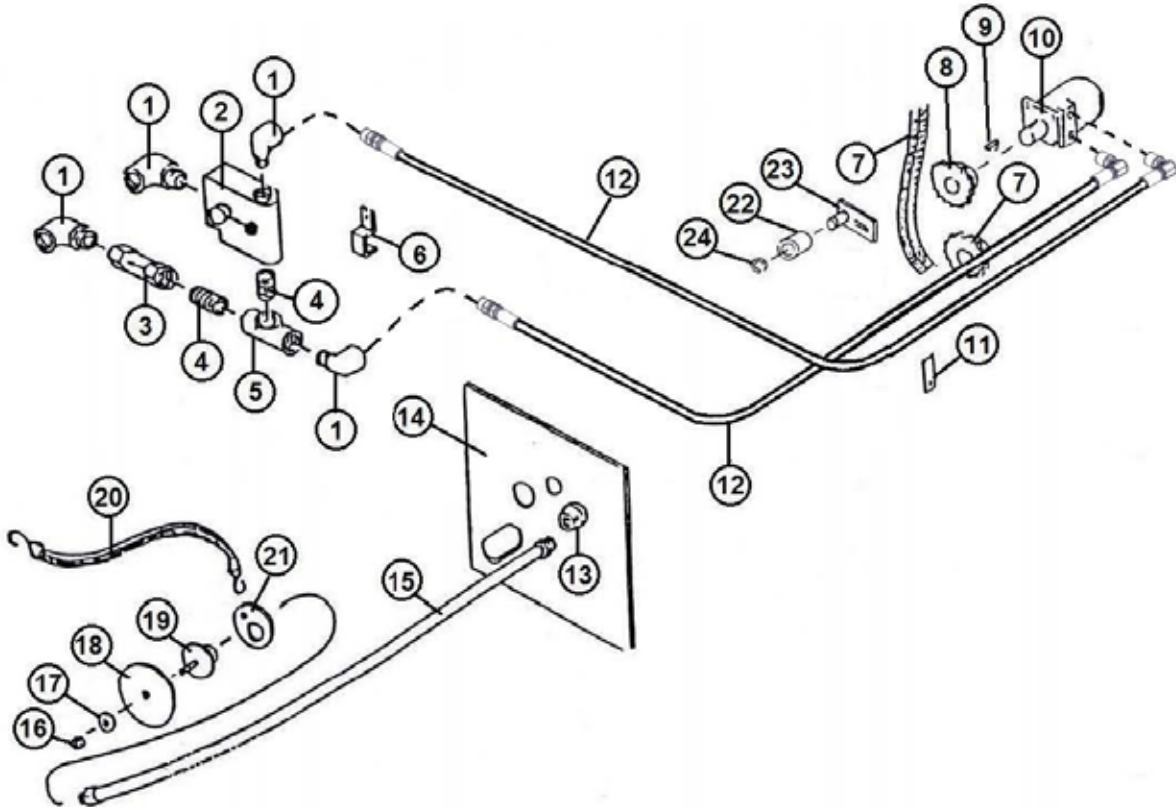


FIGURE 7

OPTIONAL HYDRAULIC DRIVE ASSEMBLY

<u>ITEM</u>	<u>QTY</u>	<u>PART#</u>	<u>DESCRIPTION</u>
1	4	HE58	FIT 90, 1/2NPT X 1/2NPT
2	1	DF15A	SPEED CONTROL
3	1	DF18	CHECK VALVE
4	2	DF7	FIT STRAIGHT, 1/2NPT X 1/2NPT
5	1	DF8	FIT TEE, 1/2NPT X 1/2NPT X 1/2NPT
6	1	HE14	PIPE BRACKET
7	1	23N131	ROLLAR CHAIN, (#50, 40 PITCHES)
8	1	11S19	SINGLE SPROCKET (20T)
9	1	5B10	WOODRUFF KEY, 1/4 X 1
10	1	DF1	HYD MOTOR
11	1	23N117	HOSE HOLDER
12	2	77330	HYD HOSE, 224
13	1	DF21	REDUCER
14	1	23N133	CONTROL PANEL
15	1	DF9	HYD HOSE, 72
16	1	YNTL12005	NUT HEX, 3/8
17	1	DF12	SPACER
18	1	DF11	CONTROL HANDLE
19	1	DF10	HANDLE BRACKET
20	1	DF14	STRAP
21	1	DF22	RING FOR STRAP
22	1	23N238	CHAIN TIGHTENER ROLLER
23	1	L10R35	CHAIN TIGHTENER
24	1	10R32	SNAP RING, EXTERNAL

FIGURE 8
WORM GEARBOX ASSEMBLY

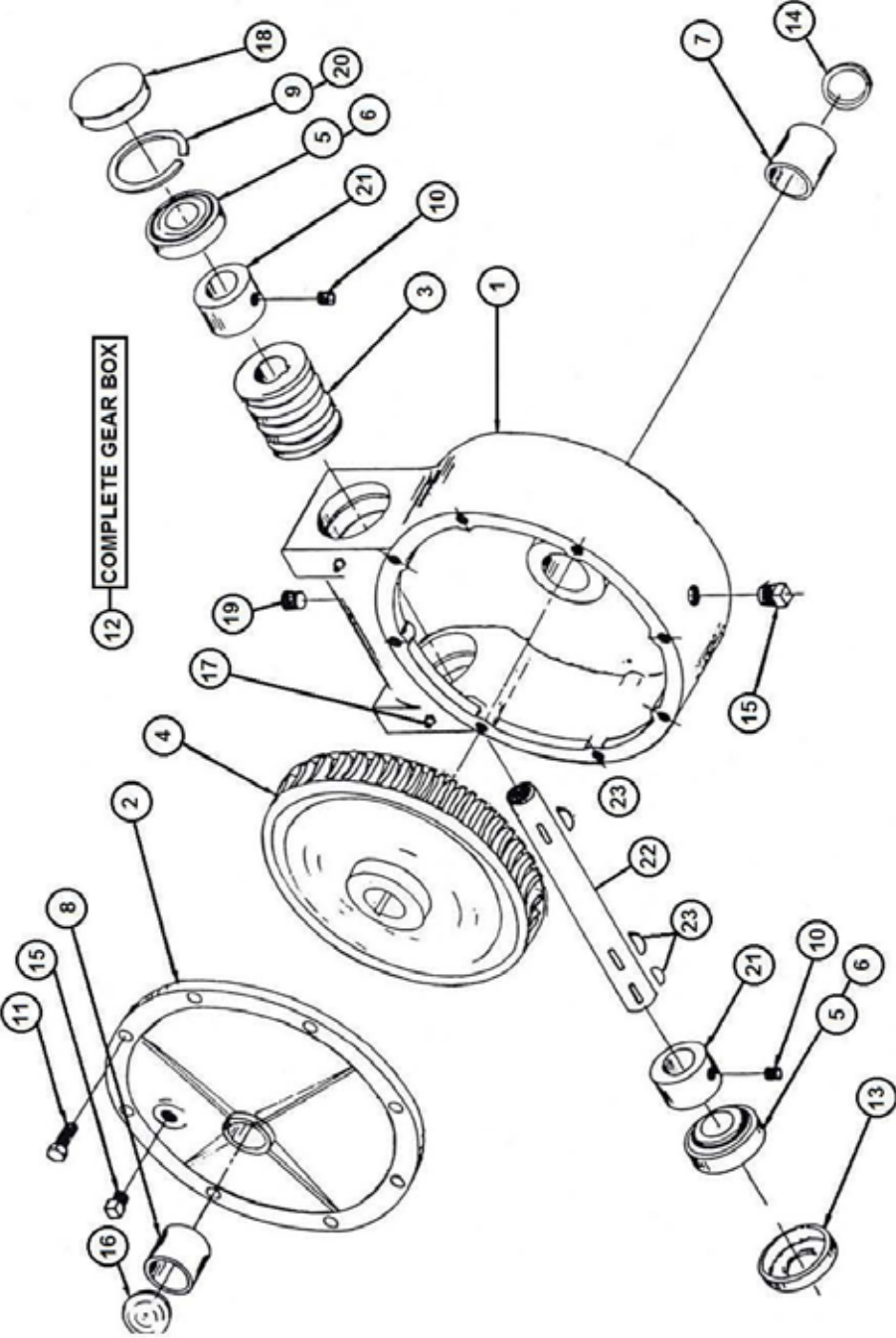


FIGURE 8

WORM GEARBOX ASSEMBLY

<u>ITEM</u>	<u>QTY</u>	<u>PART#</u>	<u>DESCRIPTION</u>
1	1	G114	HOUSING
2	1	G116	COVER
3	1	G76	WORM
4	1	G77	WORM GEAR
5	2	G78	BEARING
6	2	G79	BEARING CUP
7	1	X8	BEARING - OIL LITE
8	1	X75	BEARING - OIL 1 1/2 X 1 3/4 X 1 1/4
9	1	G82	SNAP RING
10	2	YSKP12025	SETSCREW, 3/8 X 3/8
11	8	YSKP12005	CAPSCREW, 3/8 X 1
12	1	G122	WORM GEARBOX COMPLETE
13	1	G123	SEAL
14	1	17G133	SEAL
15	2	G65	PLUG, 3/8 NPT
16	1	G117	CAP
17	2	G89	GREASE ZERK, 1/4
18	1	G90	CAP
19	1	G91	VENT PLUG, 3/8 NPT
20	1	G92	SHIM
21	1	G93	SPACER
22	1	23N236	WORM GEAR SHAFT
23	3	5B10	WOODRUFF KEY, 1/4 x 1
*	2	G88	GASKET

***MEANS NOT SHOWN**

FIGURE 9 BEVEL GEARBOX

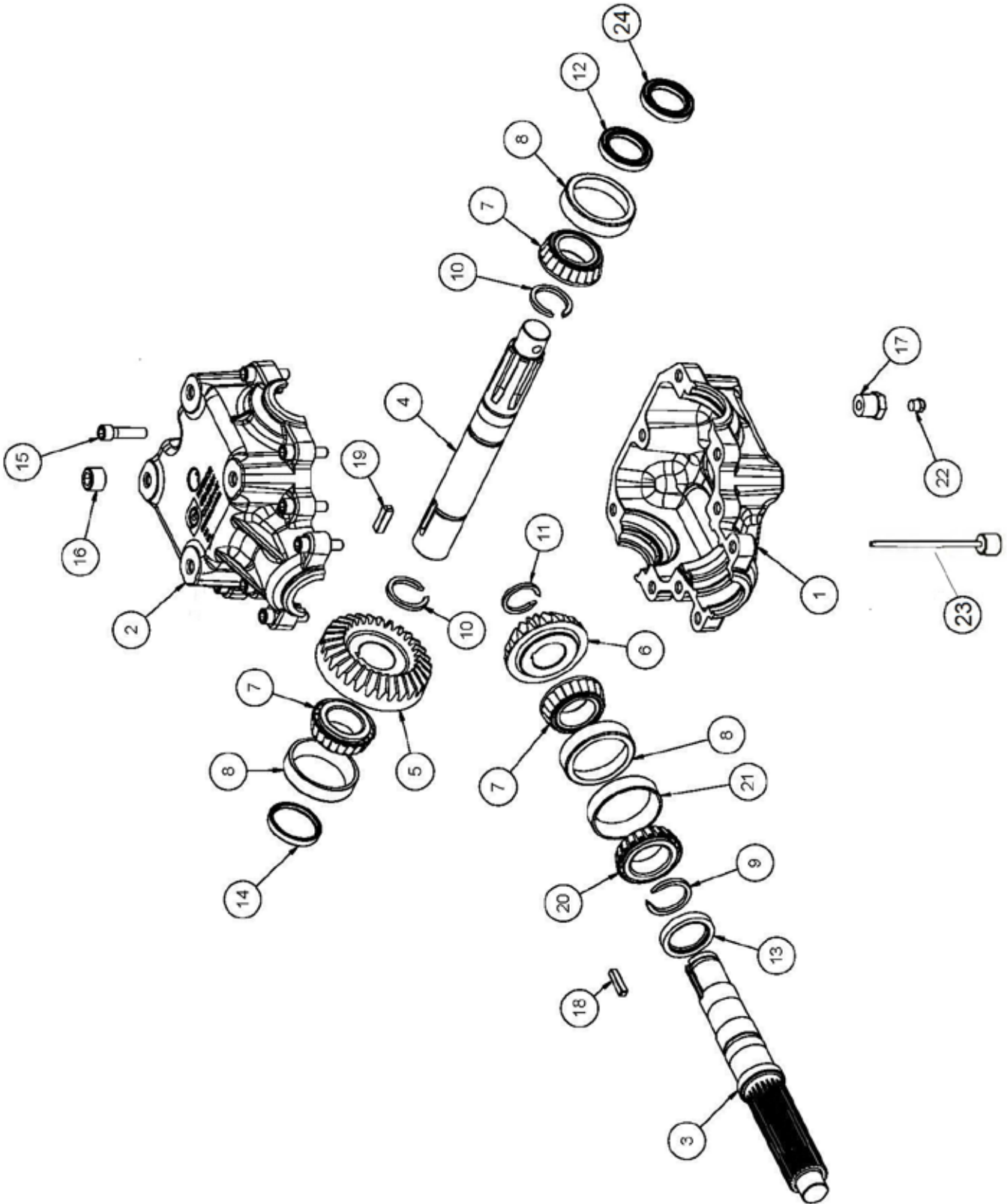


FIGURE 9 BEVEL GEARBOX

<u>ITEM</u>	<u>QTY</u>	<u>PART#</u>	<u>DESCRIPTION</u>
1	1	87116	BOTTOM HOUSING
2	1	86140	TOP HOUSING
3	1	86141	SHAFT
4	1	86142	SHAFT
5	1	86143	GEAR
6	1	86144	GEAR
7	3	86145	BEARING CONE
8	3	86146	BEARING CUP
9	1	86147	RETAINING RING
10	2	86148	RETAINING RING
11	1	86149	RETAINING RING
12	1	18VB26	SEAL
13	1	18VB34	SEAL
14	1	86150	SEAL
15	4	YSHS12008	BOLT, SOCKET, 3/8-16X1-1/2 G8
16	1	HGV95	PLUG 1/2-14
17	1	SD133	BUSHING
18	1	86152	KEY
19	1	86153	KEY
20	1	86154	BEARING CONE
21	1	86155	BEARING CUP
22	1	86156	PLUG 1/8-27
*	1	85385	COMPLETE GEARBOX
23	1	87117	DIPSTICK
24	1	90071	STEEL SHAFT SEAL

***MEANS NOT SHOWN**

FIGURE 10 HYDRAULIC CYLINDER

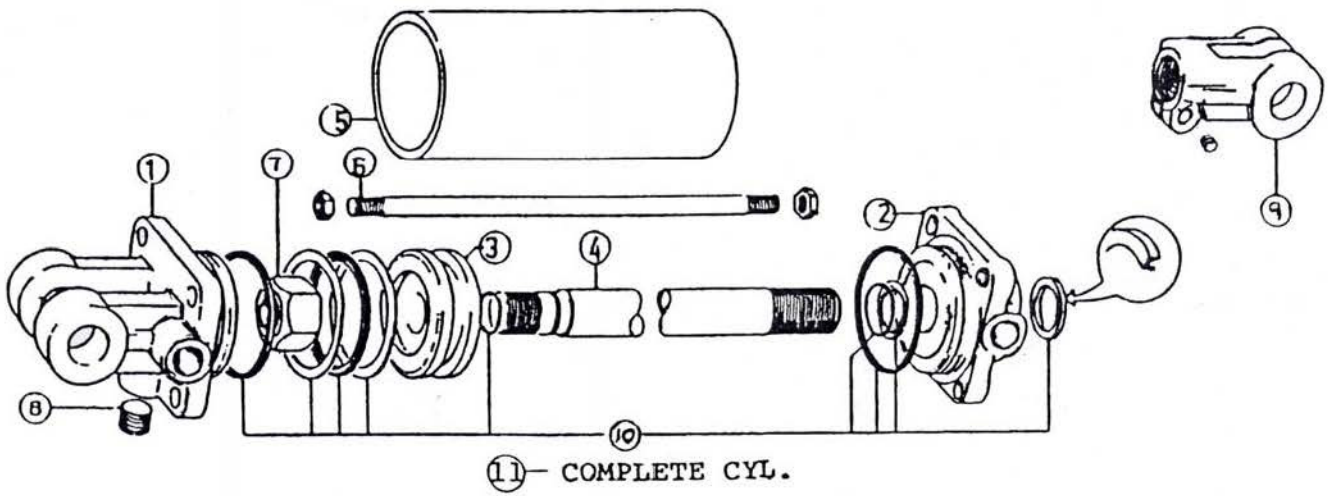


FIGURE 10
HYDRAULIC CYLINDER

<u>ITEM</u>	<u>QTY</u>	<u>PART#</u>	<u>DESCRIPTION</u>
1	1	23N142A	CLEVIS CAP
2	1	23N143A	ROD CAP
*	1	56174	ROD CAP
3	1	23N144	PISTON
*	1	56180	PISTON FOR 2 IN CYLINDER
4	1	23N145A	ROD CAP
5	1	23N146	CYLINDER TUBE
6	4	23N147	TIE ROD
7	1	23N148	PISTON NUT
8	1	23N149	PLUG
9	1	23N150A	ROD CLEVIS
10	1	56187	SEAL KIT
11	1	56015	HYDRAULIC CYLINDER

***MEANS NOT SHOWN**

FIGURE 11 PTO ASSEMBLY

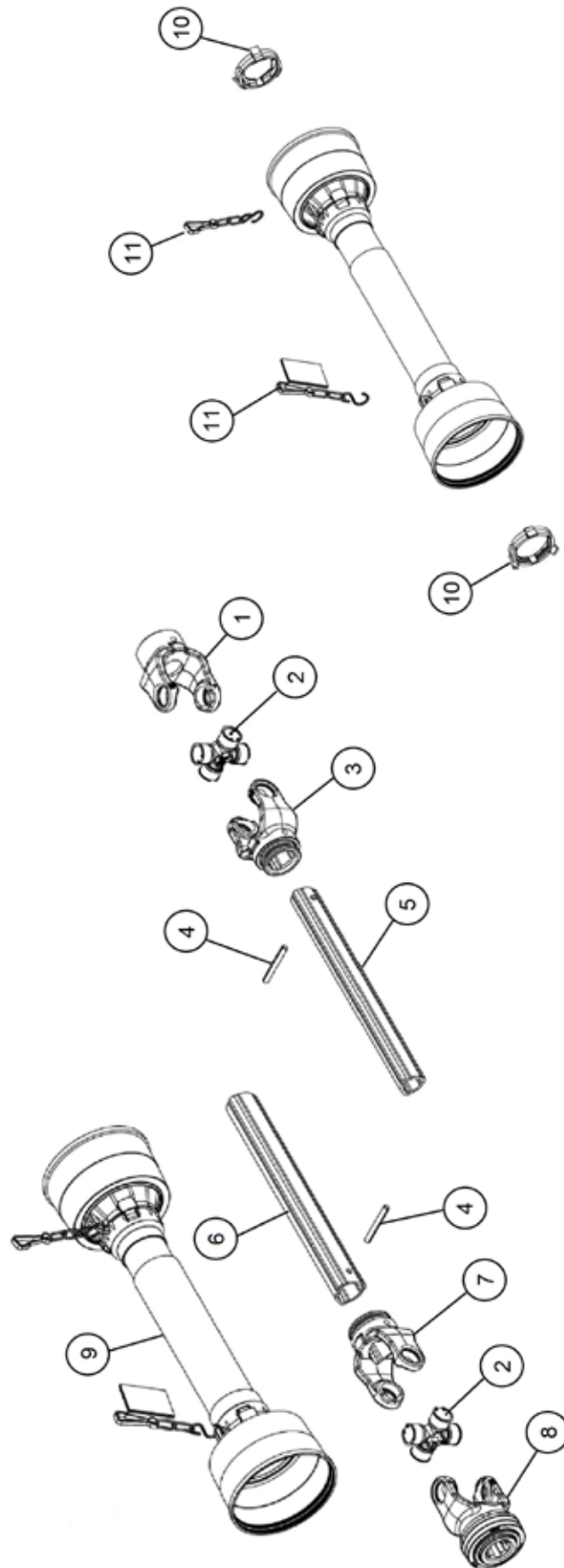


FIGURE 11 **PTO ASSEMBLY**

<u>ITEM</u>	<u>QTY</u>	<u>PART#</u>	<u>DESCRIPTION</u>
1	1	84671	YOKE W/BORE
2	2	87700	JOINT, UNIVERSAL
3	1	87698	YOKE, INNER
4	2	YPEX10250	EXPANSION PIN, 5/16 X 2-1/2
5	1	87882	TUBE
6	1	87699	TUBE
7	1	87884	YOKE, OUTER
8	1	87701	YOKE, END
9	1	87696	SAFETY GUARD GROUP
10	2	89228	RETAINERS
11	2	89227	CHAIN
*	1	23N152Z	COMPLETE PTO ASSEMBLY

***MEANS NOT SHOWN**

FIGURE 12
PTO ASSEMBLY (1000RPM)

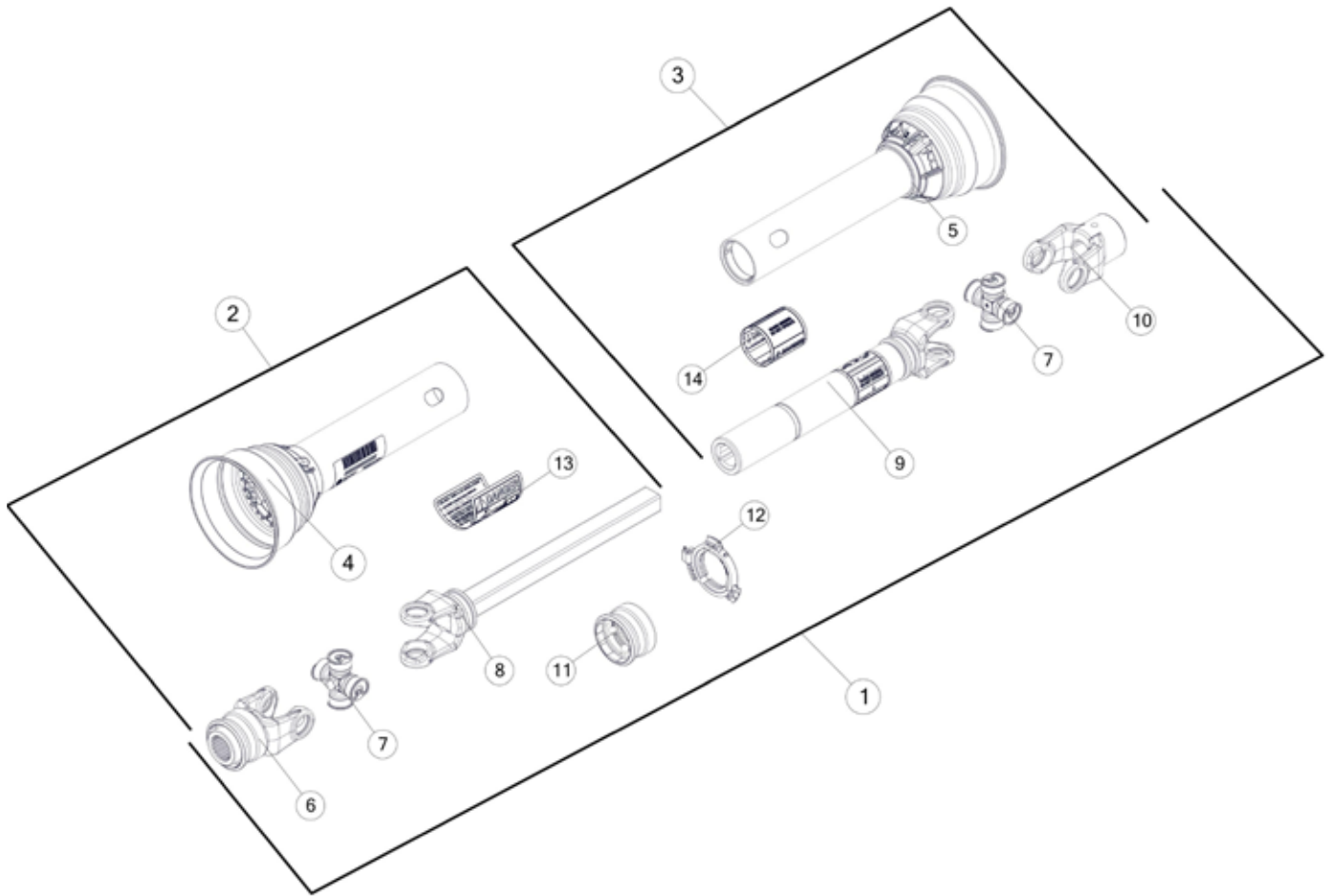


FIGURE 12

PTO ASSEMBLY (1000RPM)

<u>ITEM</u>	<u>QTY</u>	<u>PART#</u>	<u>DESCRIPTION</u>
1	1	23N313	COMPLETE PTO
2	1	23N314	TRACTOR HALF W/SHIELD
3	1	23N153	MACHINE HALF PTO W/SHIELD
4	1	55864	OUTER GUARD
5	1	23N156	INNER GUARD
6	1	37N73	1000 RPM YOKE
7	2	14NW	14R CROSS & BEARING KIT
8	1	23N159	YOKE AND SHAFT
9	1	23N155	YOKE AND TUBE
10	1	G1R35	YOKE 1-1/4
11	1	S225	SPRING-LOK REPAIR KIT
12	1	55861	GUARD REPAIR KIT
*	1	S402	ADMA SAFETY MANUAL

***MEANS NOT SHOWN**

FIGURE 13
OPTIONAL 2ND BEATER LH

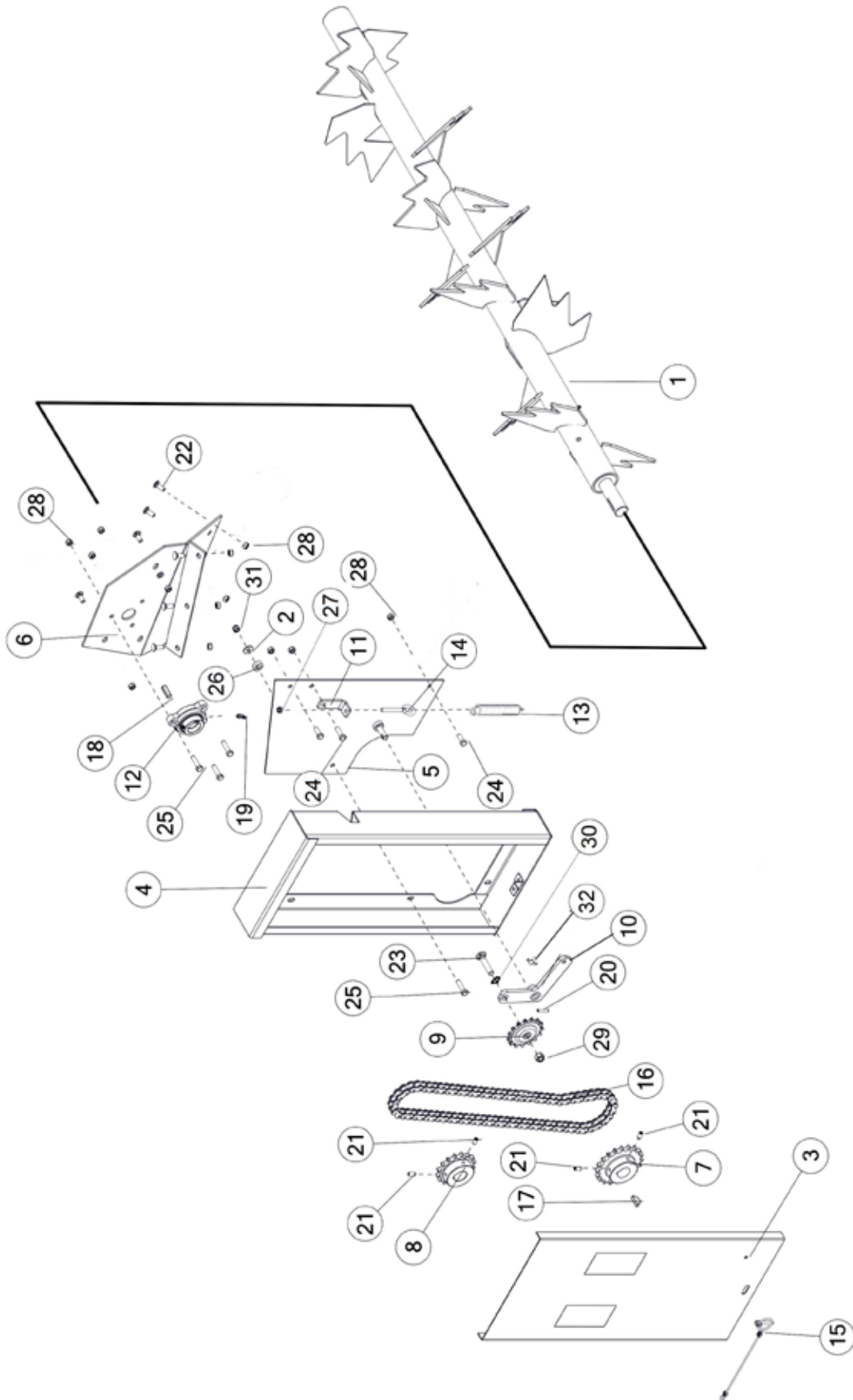


FIGURE 13

OPTIONAL 2ND BEATER LH

<u>ITEM</u>	<u>QTY</u>	<u>PART#</u>	<u>DESCRIPTION</u>
1	1	80724	SECOND BEATER
2	1	YWFL12005	WASHER FLAT, 3/8
3	1	81467	FRONT SHIELD W/DECAL
4	1	81468	BEATER SHIELD W/DECALS
5	1	81465	BACK SHIELD W/DECAL
6	1	80718	BEATER PANEL RH
7	1	80898	SPROCKET (20T)
8	1	D23	SPROCKET (16T)
9	1	12N42	IDLER SPROCKET (15T)
10	1	80728	SPRING TENSIONER ARM
11	1	80152	SPRING TENSIONER BRKT
12	1	80725	BEATER BEARING
13	1	ST36	TENSION SPRING
14	1	YBTE10039	BOLT TURNED EYE, 5/16 X 4
15	1	S122	LANYARD CLIP PIN CABLE
16	1	37N49	ROLLER CHAIN #60
17	1	5B9	KEY
18	1	A32	SQUARE KEY
19	1	RG21	GREASE ZERK, 45 DEGREE
20	1	YPEX08010	EXPANSION PIN, 1/4 X 1-1/4
21	4	YSKP12035	SETSCREW, 3/8 X 3/4
22	6	YBCR12010	BOLT CARRIAGE, 3/8 X 1 G5
23	1	YBCR16025	BOLT CARRIAGE, 1/2 X 2-1/2 G2
24	3	YBFB12003	BOLT FLANGE, 3/8 X 1 G5
25	3	YBFB12150	BOLT FLANGE, 3/8 X 1-1/2 G5
26	1	S246	SPACER
27	1	YNFG10005	NUT FLANGE, 5/16 GF
28	12	YNFG12006	NUT FLANGE, 3/8 GF
29	1	YNFG16003	NUT FLANGE, 1/2 GF
30	4	YWFL14005	WASHER FLAT, 7/16
31	1	YNNY12005	NUT HEX, 3/8 LKNY G2
32	1	G89	STRAIGHT ZERK, 1/4-28 X 90

FIGURE 13
OPTIONAL 2ND BEATER RH

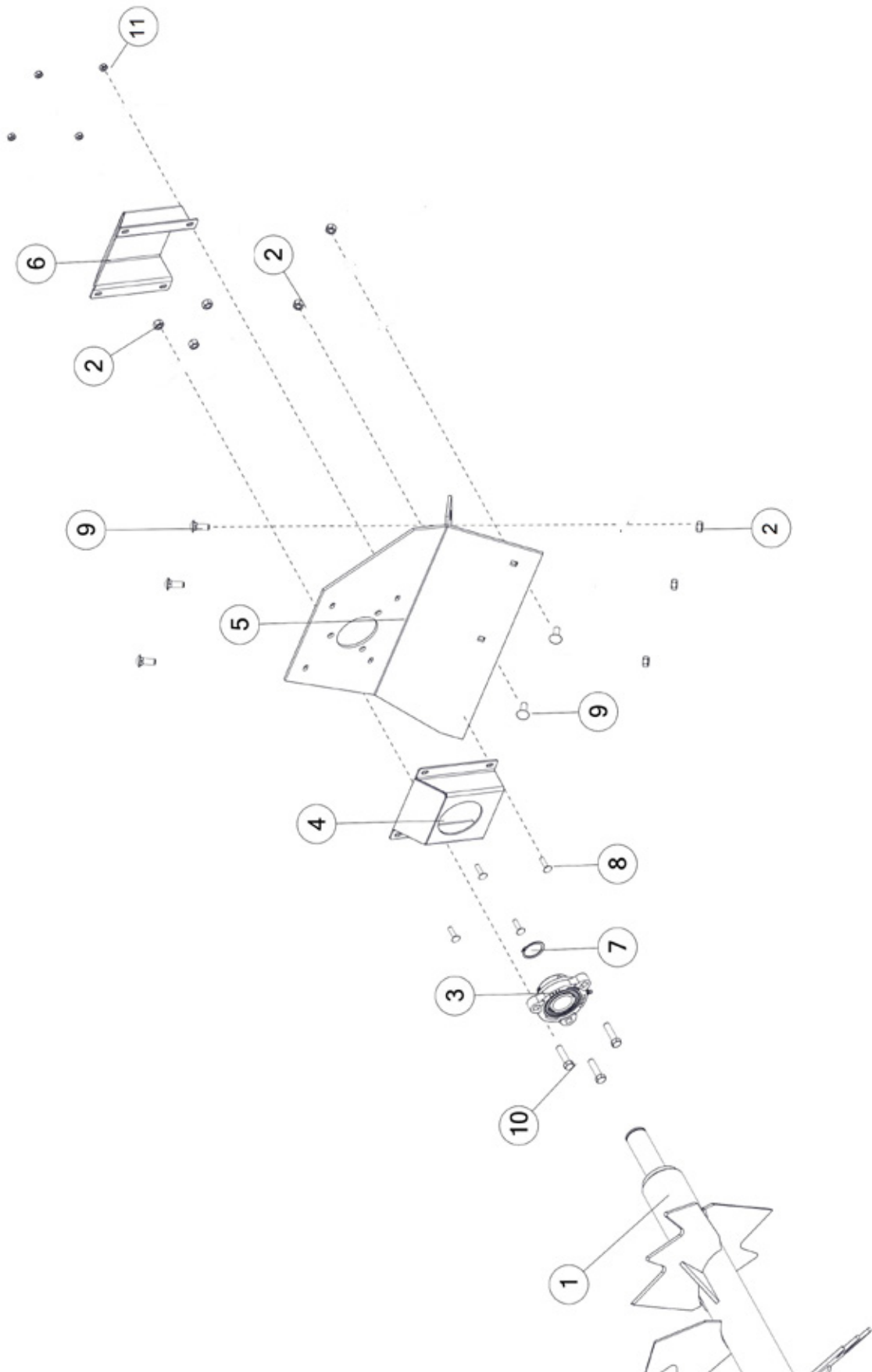


FIGURE 13
OPTIONAL 2ND BEATER RH

<u>ITEM</u>	<u>QTY</u>	<u>PART#</u>	<u>DESCRIPTION</u>
1	1	80724	SECOND BEATER
2	8	YNFG12006	NUT FLANGE, 3/8 GF
3	1	80725	BEATER BEARING
4	1	57216	BEATER BEARING PROTECTOR
5	1	80716	BEATER PANEL LH
6	1	87656	EXTERIOR BEATER BEARING PROTECTOR
7	1	81527	EXTERNAL SNAP RING 1-3/8
8	4	YBCR08005	BOLT CARRIAGE, 1/4 X 1 G5
9	5	YBCR12010	BOLT CARRIAGE, 3/8 X 1 G5
10	3	YBFB12150	BOLT FLANGE, 3/8 X 1-1/2 G5
11	4	YNFG08010	NUT FLANGE, 1/4 GF

FIGURE 14
OPTIONAL ELECTRIC CONTROL FOR HYDRAULIC DRIVE

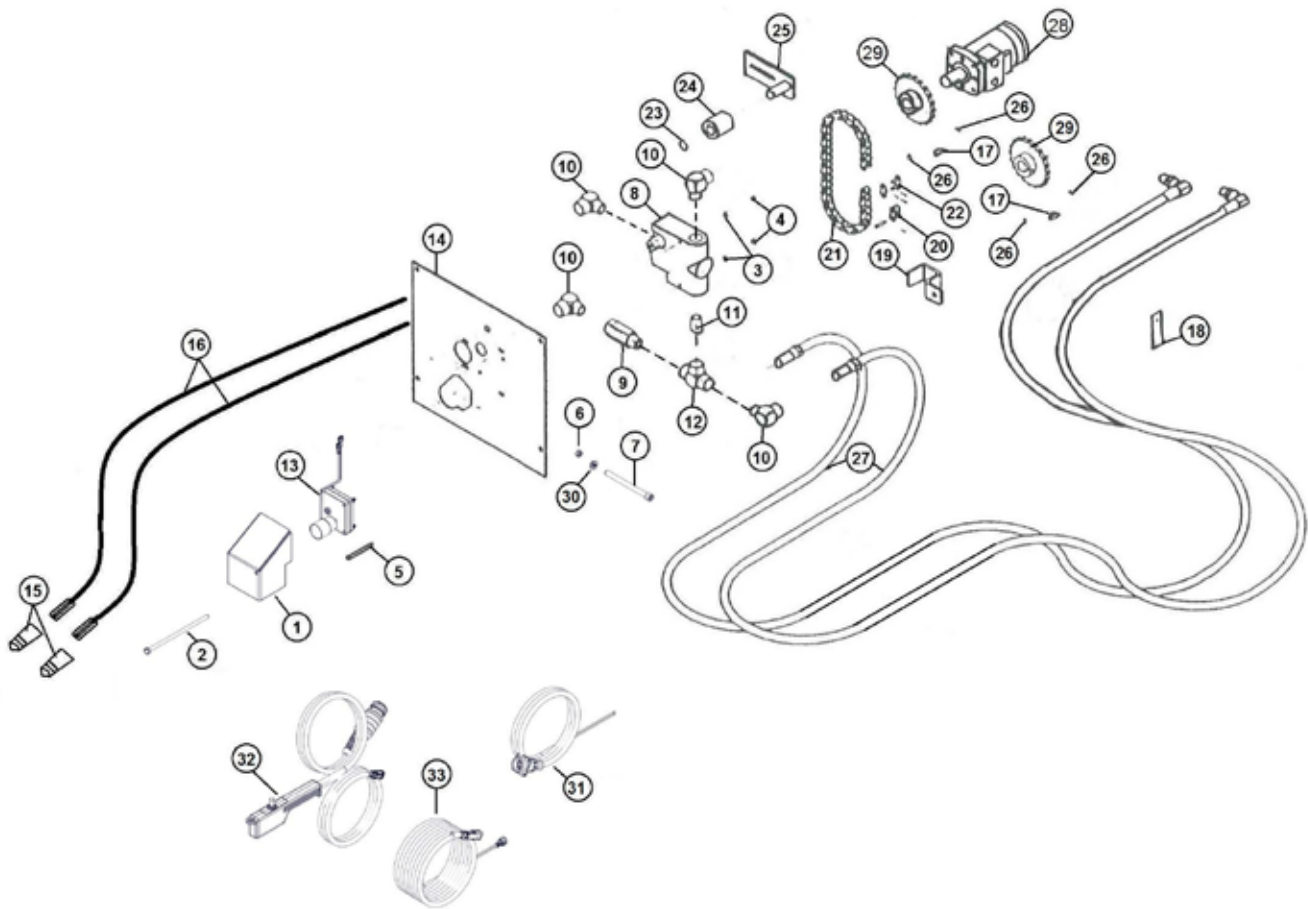


FIGURE 14

OPTIONAL ELECTRIC CONTROL FOR HYDRAULIC DRIVE

<u>ITEM</u>	<u>QTY</u>	<u>PART#</u>	<u>DESCRIPTION</u>
1	1	81058	MOTOR SHIELD HOLDER
2	1	YBHH08127	BOLT HEX, 1/4 X 6-1/2 G5
3	2	YWLO08005	WASHER LOCK, 1/4
4	2	YNL08005	NUT HEX, 1/4 G2
5	2	YBCR08025	BOLT CARRIAGE, 1/4 X 2-1/2 G5
6	1	YNL12005	NUT HEX, 3/8
7	1	YSHS12020	BOLT 3/8 X 4-1/2
8	1	DF15A	FLOW CONTROL
9	1	DF18	CHECK VALVE
10	4	HE58	FIT, 90, 1/2NPT X 1/2NPT
11	1	DF4	FIT, STRAIGHT, 1/2NPT X 1/2NPT
12	1	DF8	FIT, TEE, 1/2NPT X 1/2NPT X 1/2NPT
13	1	81270	GEAR MOTOR
14	1	23N133	CONTROL PANEL
15	2	DWM205	MALE QUICK COUPLER
16	2	23N309	HYD HOSE, 8 X 96
17	2	5B10	WOODRUFF KEY, 1/4 X 1
18	1	23N117	HOSE HOLDER
19	1	HE14	PIPE BRACKET
20	1	X60	OFFSET LINK (#50)
21	1	23N131	ROLLER CHAIN (#50, 40 PITCHES)
22	1	X61	CONNECTOR LINK (#50)
23	1	10R32	EXTERNAL SNAP RING
24	1	23N238	CHAIN TIGHTENER ROLLER
25	1	L10R35	TIGHTENER BRAKET
26	2	YSKP10010	SCREW SOCKET HEAD, 5/16 X 3/8
27	2	77330	HYD HOSE, 6, 224
28	1	DF1	HYDRAULIC MOTOR
29	1	11S19	DRIVE SPROCKET (20T)
30	1	YWLO12005	WASHER LOCK, 1/4
31	1	16SV269	TRACTOR CONTROL HARNESS
32	1	63365	HAND CONTROLLER
33	1	16SV272	POWER SUPPLY CABLE

FIGURE 15 ELECTRIC CONTROL

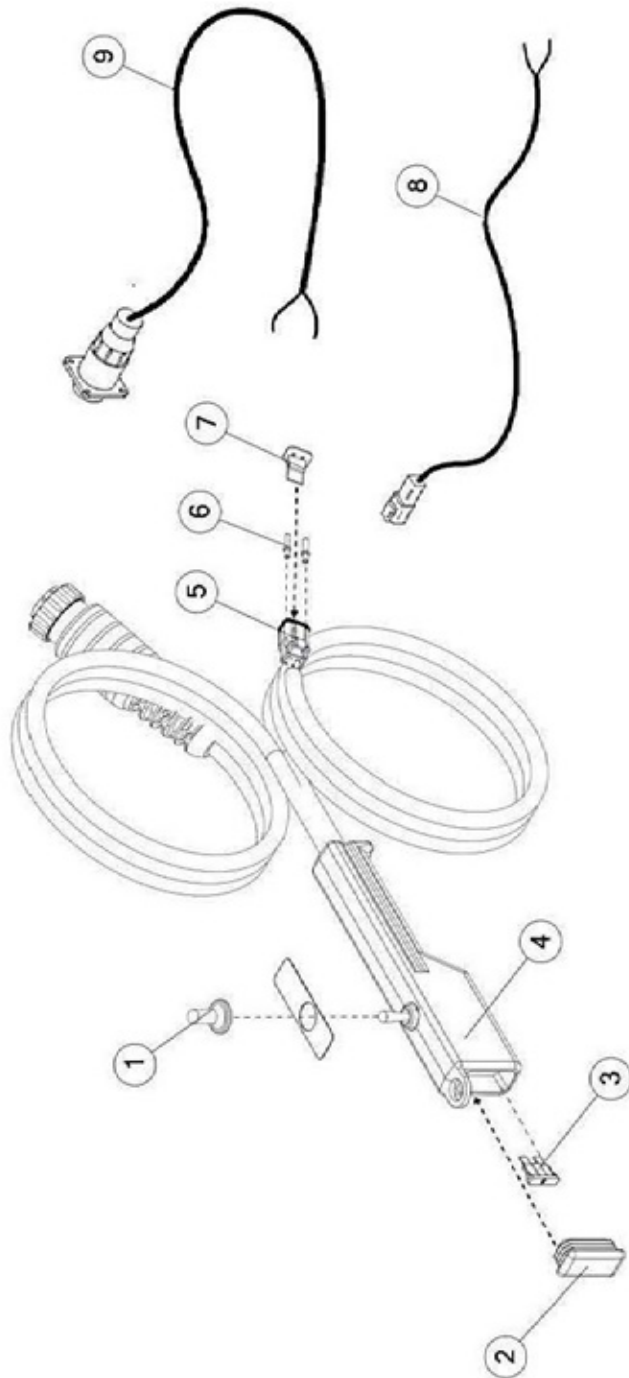


FIGURE 15
ELECTRIC CONTROL

<u>ITEM</u>	<u>QTY</u>	<u>PART#</u>	<u>DESCRIPTION</u>
1	1	16SV235	SWITCH BOOTS
2	1	61564	CAP
3	1	61597	FUSE, BLADE, 5AMP
4	1	63365	HAND CONTROLLER (ON-OFF-ON)
5	1	58790	DEUTSCH 2 PIN PLUG
6	2	56760	DEUTSCH SOCKET, SOLID, 14-16 GA.
7	1	58793	LOCKING WEDGE FOR DT06-2S CONNECTOR
8	1	56N134	SPREADER CONTROL CORD
9	1	16SV269	TRACTOR CONTROL CABLE

FIGURE 16 OPTIONAL LIGHT KIT

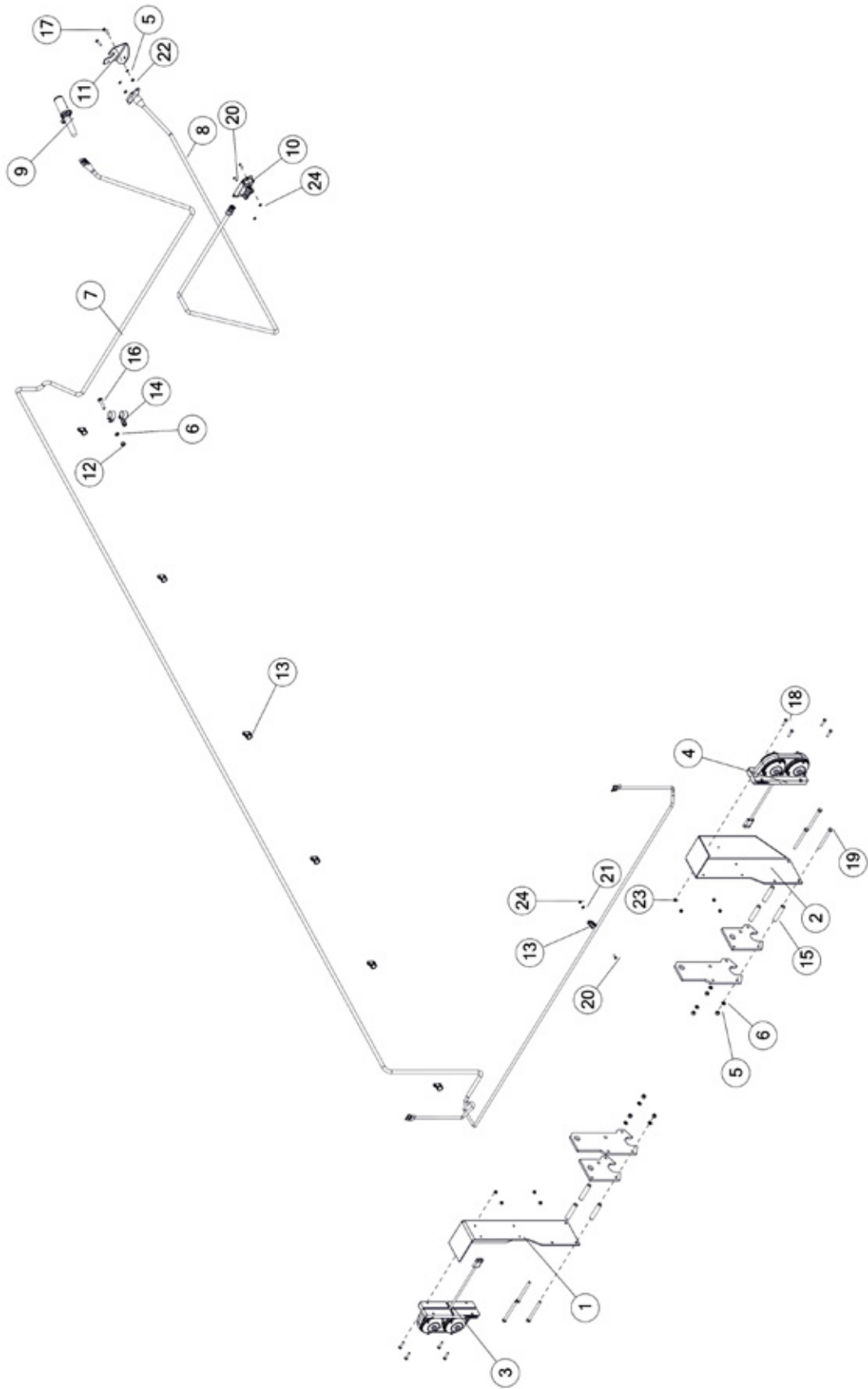


FIGURE 16

OPTIONAL LIGHT KIT

<u>ITEM</u>	<u>QTY</u>	<u>PART#</u>	<u>DESCRIPTION</u>
1	1	77918	LIGHT BRACKET LH
2	1	77922	LIGHT BRACKET RH
3	1	77923	TAIL LIGHT ASSY LH
4	1	77924	TAIL LIGHT ASSY RH
5	1	YN TL12005	NUT HEX, 3/8
6	2	YWLO12005	WASHER LOCK, 3/8
7	1	77975	ELEC HARNESS
8	1	79260	LIGHT HARNESS
9	1	TLPC	TRANSPORT LIGHT CORD
10	1	69908	MODULE CONTROL BLINKER
11	1	BFR659	LIGHT BRACKET
12	2	YN TL12005	NUT HEX, 3/8
13	5	HGV162	1/2 RUBBER WIRE HOLDER
14	2	HGV72	SMALL TUBE HOLDER SPACER
15	6	ST55	BOLT CARRIAGE, 3/8 X 2
16	2	YBCR12035	BOLT CARRIAGE, 1/4 X 1
17	2	YBHH08005	BOLT HEX, 1/4 X 1-1/4
18	8	YBHH08030	BOLT HEX, 3/8 X 4-1/2
19	8	YBHH12185	MACHINE SCREW #10-24 X 5/8
20	6	YSPN64005	RIVET
21	6	YMRV06015	WASHER, 3/16
22	2	YNHX08005	NUT HEX, 1/4
23	8	YNNY08005	NUT HEX, 1/4
24	8	YNNY64005	NUT HEX, #10-24
25	6	YN TL12005	NUT HEX, 3/8

CHANGE NOTES

H&S MFG. CO.

products approved

for the

FEMA

SEAL OF QUALITY



Manufactured by:

H&S MANUFACTURING CO., INC.

2608 S. HUME AVE. MARSHFIELD, WI 54449

(715) 387-3414 | hsmfgco.com

