



**3237**  
**MANURE**  
**SPREADER**  
**PARTS BOOK**

Part #85975    HSMFG111022    Rev. #04    Starting Ser. #322MS37001

**STRONG HERITAGE - STRONG PEOPLE - STRONGER FUTURE**





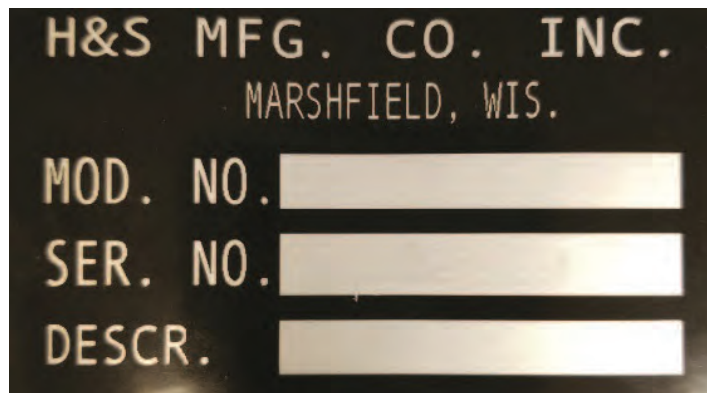
# INSTRUCTIONS FOR ORDERING PARTS

All service parts should be ordered through your authorized H&S dealer. Your Dealership will be able to give you faster service if you will provide them with the following:

1. All references to left or right apply to the machine as viewed from the rear.
2. Parts should not be ordered from illustration only. Please order complete part number.
3. If your dealer has to order parts - give shipping instructions:

VIA truck - large pieces (please specify local truck lines)

VIA United Parcel Service (include full address)



SERIAL NUMBER CAN BE LOCATED ON THE FRONT PTO BEARING SUPPORT MOUNT

PLEASE RECORD NUMBERS FOR YOUR UNIT FOR QUICK REFERENCE

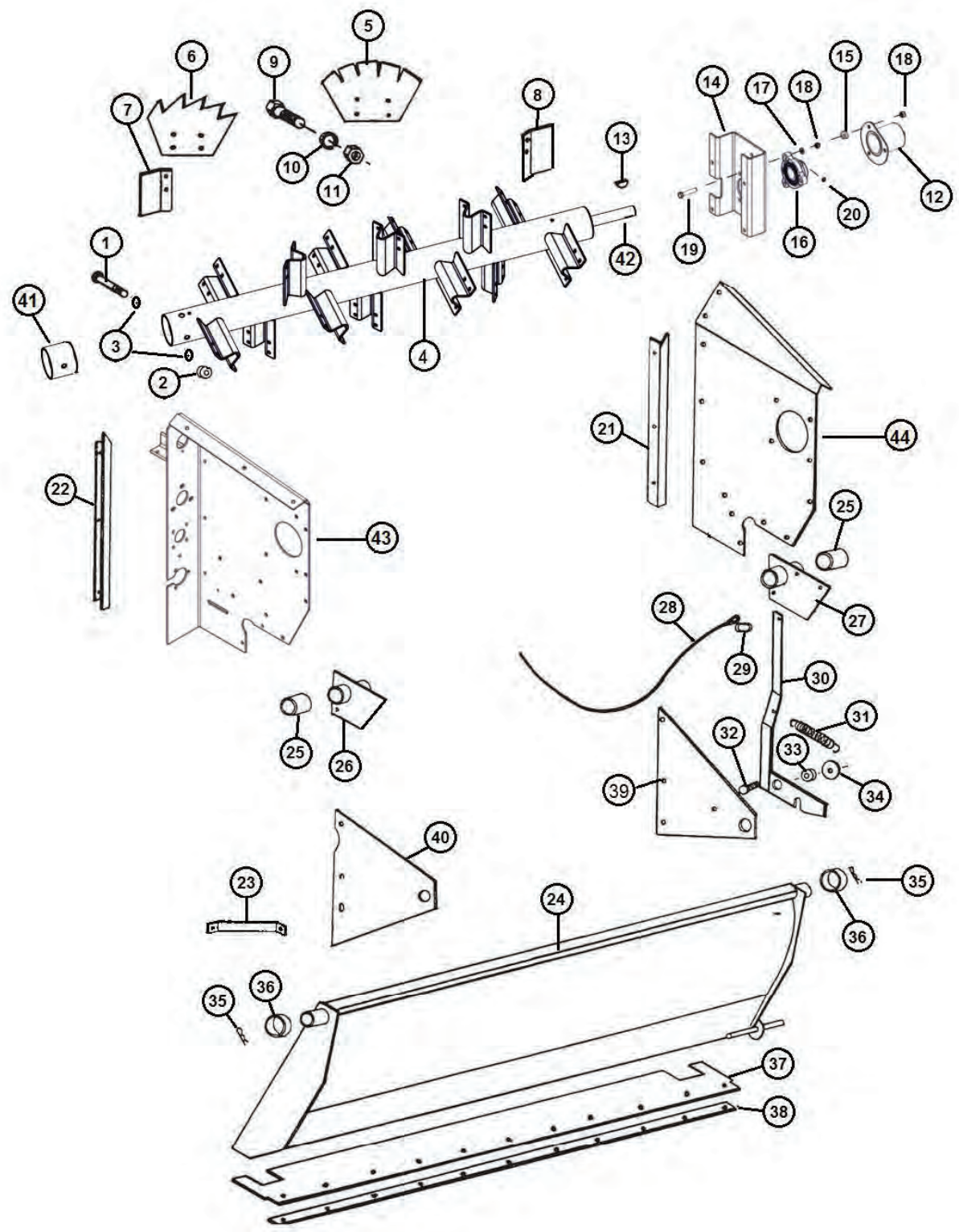
H&S IS CONTINUALLY STRIVING TO IMPROVE ITS PRODUCTS

We must, therefore, reserve the right to make improvements or changes whenever it becomes practical to do so, without incurring any obligation to make changes or additions to the equipment previously sold.





# FIGURE 1 BEATER & PAN ASSEMBLY





# FIGURE 1

## BEATER & PAN ASSEMBLY

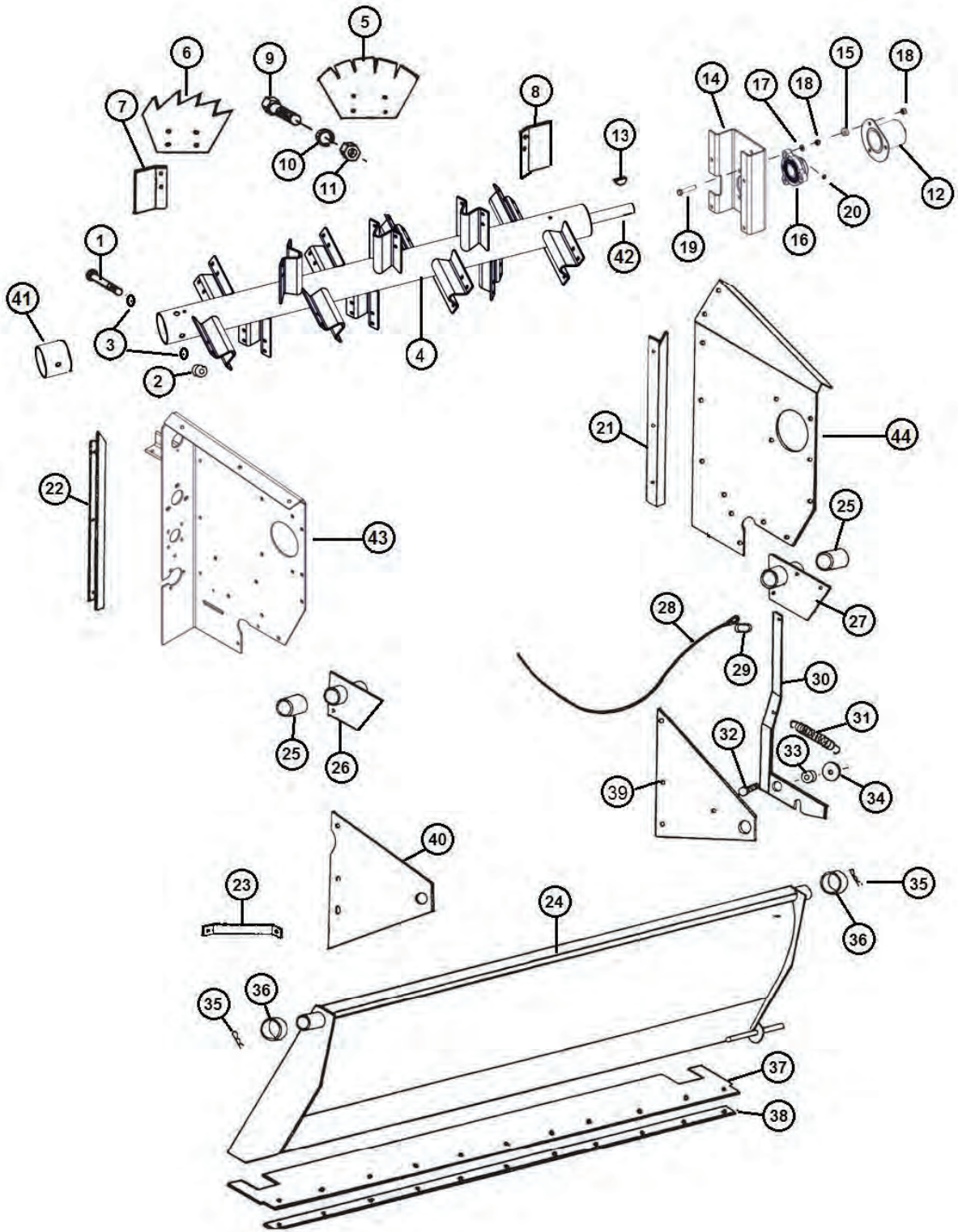
REF #	PART #	DESCRIPTION	QTY
1	YBHH10130	BOLT HEX, 5/16 X 5 G5	1
2	YNRL10005	HEX NUT, SIDE LOCK, 5/16 G5	1
3	YWFL10005	WASHER FLAT, 5/16	2
4	81161	BEATER	1
5	23N276	BEATER BLADE	6
6	23N277	BEATER BLADE	8
7	23N7	WIPER LH	1
8	23N8	WIPER RH	1
9	YBHH16045	BOLT HEX, 1/2 X 1-1/4 G5	56
10	YWLO16005	WASHER LOCK, 1/2	56
11	YNL16005	NUT HEX, TOP LOCK, 1/2	56
12	82910	BEARING COVER	1
13	5B9	WOODRUFF KEY, 3/8 X 1-1/4	1
14	80794	SHAFT SUPPORT	1
15	82944	SPACER	3
16	80725	BEATER BEARING	1
17	YWLO12005	WASHER LOCK, 3/8	3
18	YNFG12006	NUT FLANGE, 3/8 GF	6
19	YBHH12080	BOLT FLANGE, 3/8-16 X 2 G5 ZC	3
20	RG21	GREASE ZERK, 45	1
21	37N1	SIDE POLY HOLD DOWN RH	1
22	37N2	SIDE POLY HOLD DOWN LH	1
23	23N26	BRACKET	1
24	37N4	PAN	1
25	23N17	DRIVE SHAFT BUSHING	2
26	37N78	DRIVE SHAFT BRACKET LH	1
27	23N19	DRIVE SHAFT BRACKET RH	1
28	37N5	PAN TRIP ROPE	1
29	R31	CLIP	1
30	95717	PAN TRIP LEVER	1
31	R27	SPRING	1
32	YBCR16010	BOLT CARRIAGE, 1/2 X 1-1/2 G5	1
33	23N23	TRIP LEVER SPACER	1
34	YWFL16005	WASHER FLAT, 1/2	1
35	YPCT06020	COTTER PIN, 3/16 X 2	2
36	F112	SPACER	2
37	23N24	PAN RUBBER FLAP	1
38	23N25	PAN STRAP	1
39	23N29	PAN SUPPORT RH	1







**FIGURE 1**  
**BEATER & PAN ASSEMBLY**

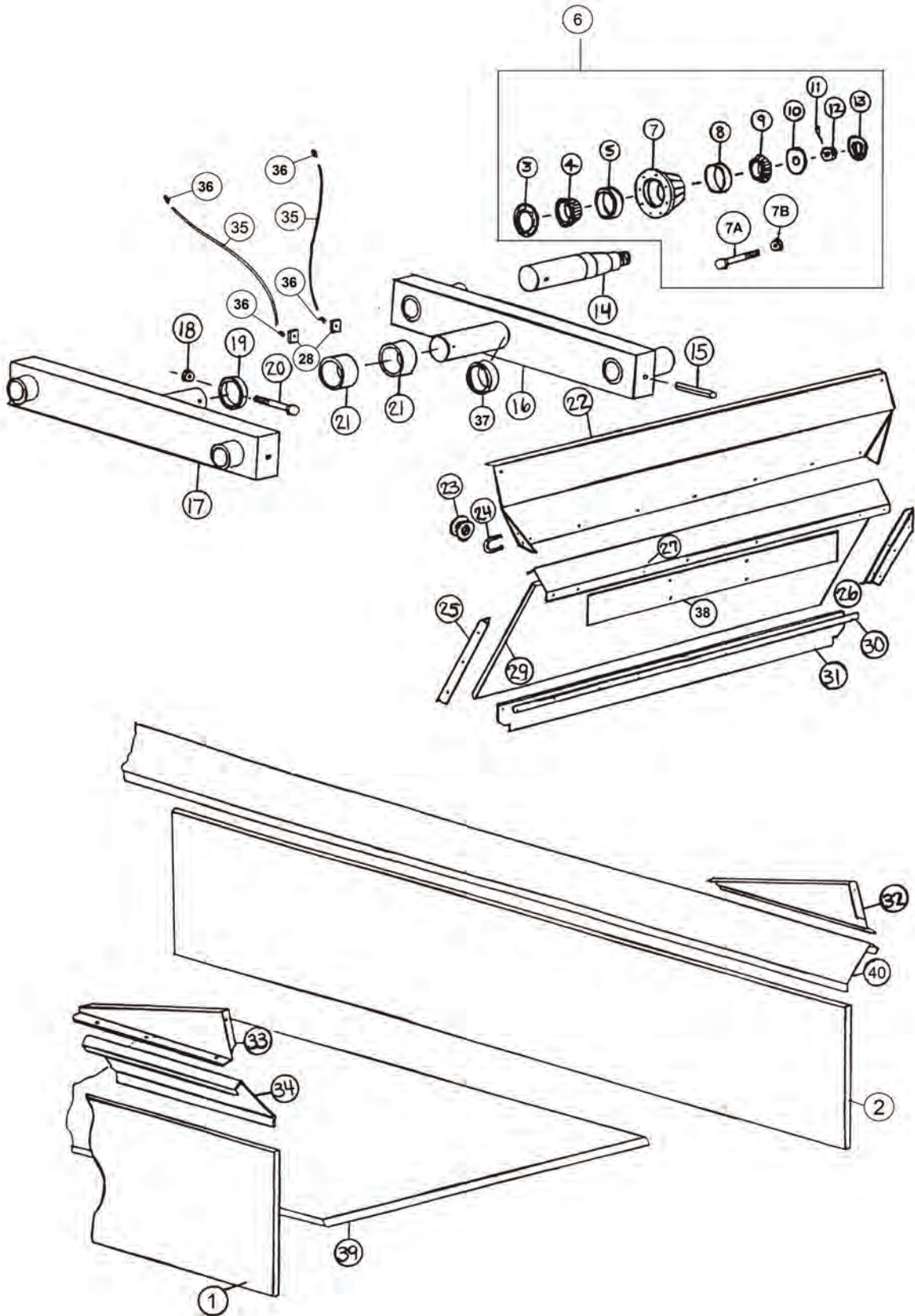






# FIGURE 2

## HUB, SPINDLE & BOX PARTS





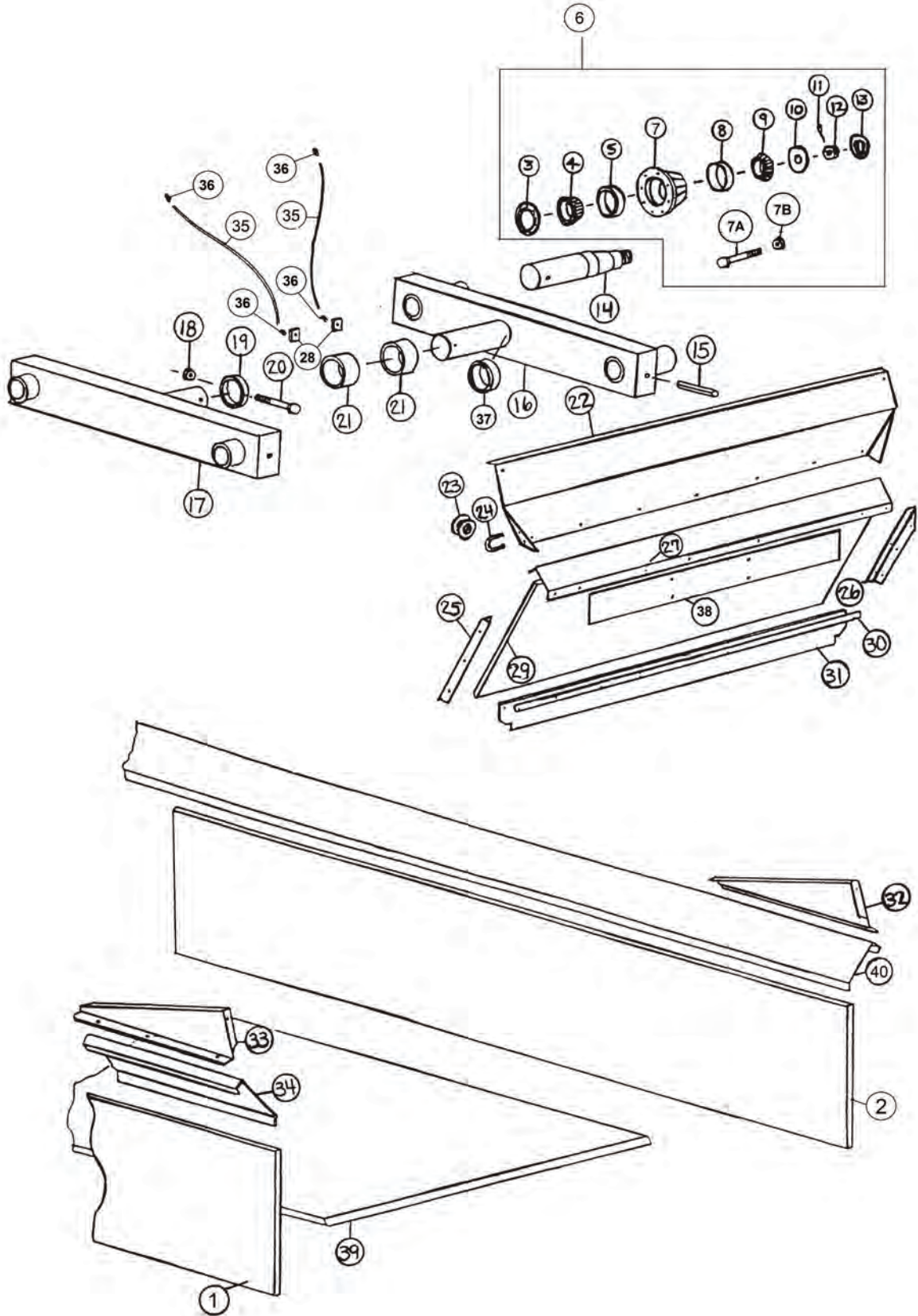
REF #	PART #	DESCRIPTION	QTY
1	37N67A	BONDED POLY/PLYWOOD SIDE RH	1
2	37N68A	BONDED POLY/PLYWOOD SIDE LH	1
*	12V36SR	WHEEL, 14 X 16.1 8 BOLT SILVER	2
*	23N179ASR	WHEEL, 8.25 X 22.5 8 BOLT SILVER	2
*	UR19	TIRE, 295/75R22.5, RECAP, HIGHWAY TREAD	2
3	B90	SEAL	2
4	B91	INNER BEARING	2
5	B91A	INNER RACE	2
6	26G4A	COMPLETE HUB	2
7	53403	HUB WITH RACES	12
7A	YBSD20010	STUD BOLT, 5/8 X 2 1/4	2
7B	YNWL2005	WHEEL NUT, 5/8	2
8	B94A	OUTER RACE	2
9	B94	OUTER BEARING	2
10	YWFL28005	WASHER, FLAT, 7/8	2
11	YPCT05020	COTTER PIN, 5/32 X 1-3/4	2
12	YNSL28005	NUT HEX, SLOTTED, 7/8	2
13	B2	HUB CAP	2
14	37N8	SPINDLE	4
*	16SV203	SPINDLE FOR 16.1 X 14 WHEEL	1
15	YPEX16020	EXPANSION PIN, 1/2 X 4	4
16	37N85	TANDEM AXLE LH	1
17	37N84	TANDEM AXLE RH	1
18	YNTL16005	NUT HEX, TOP LOCK, 1/2	2
19	37N86	RING	2
20	YBHH16150	BOLT HEX, 1/2 X 4-3/4 G5	2
21	B58	POLY BUSHING	2
22	23N34	FRONT FLARE	1
23	F33	SIDE CABLE GUIDE	1
24	YBPU08005	PIPE U BOLT, 1/4 X 3/4	1
25	37N12	PLYWOOD ANGLE RH	1
26	37N13	PLYWOOD ANGLE LH	1
27	23N176	FRONT END BRACE	1
28	16V9	GREASE ZERK BRACKET	1
29	37N65A	POLY PLYWOOD	1
30	23N40	STRAP FOR RUBBER	1
31	23N41	FRONT GATE RUBBER	1
32	23N42	SPLASH GUARD LH	1
33	23N43	SPLASH GUARD RH	1



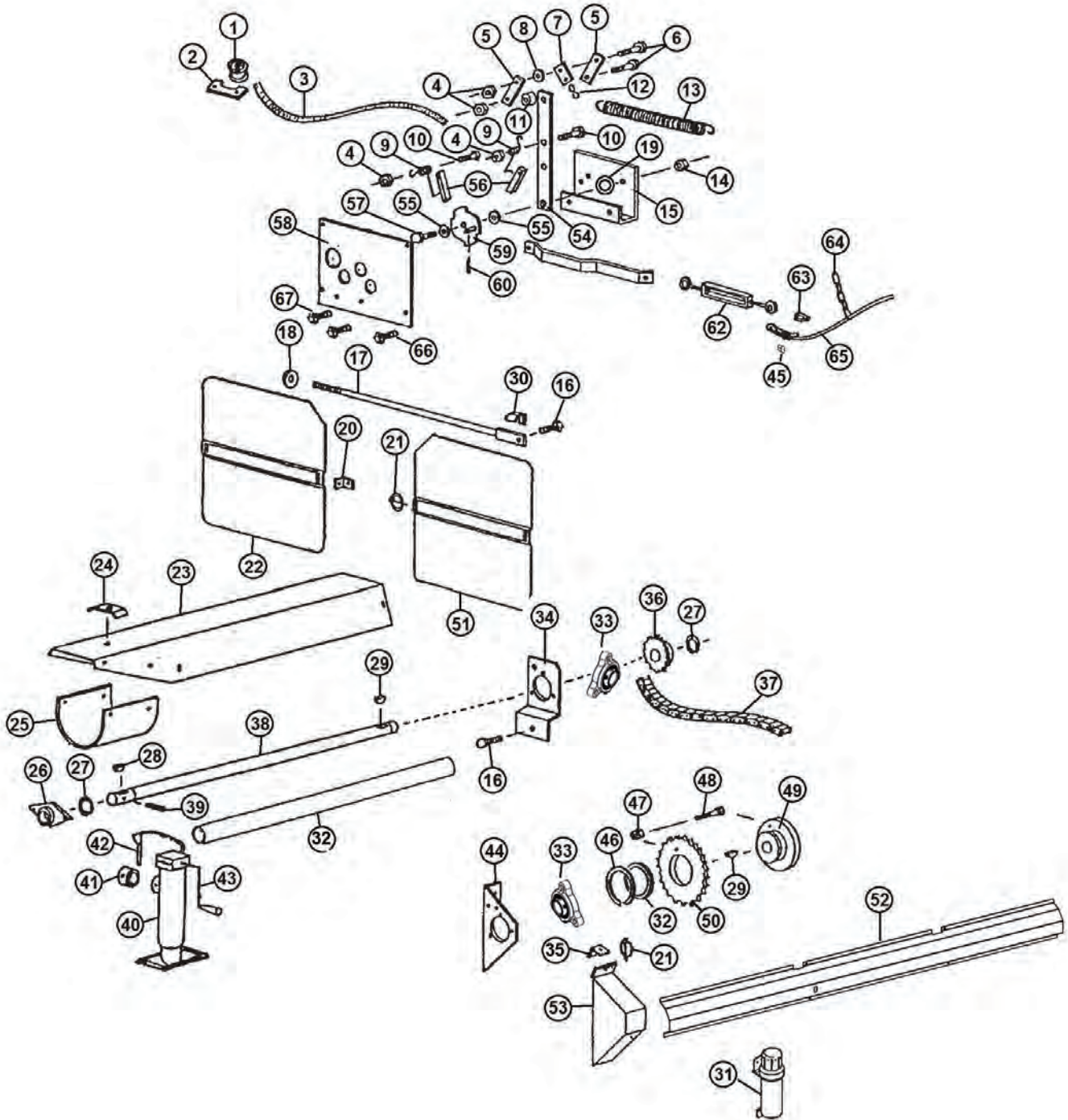


# FIGURE 2

## HUB, SPINDLE & BOX PARTS









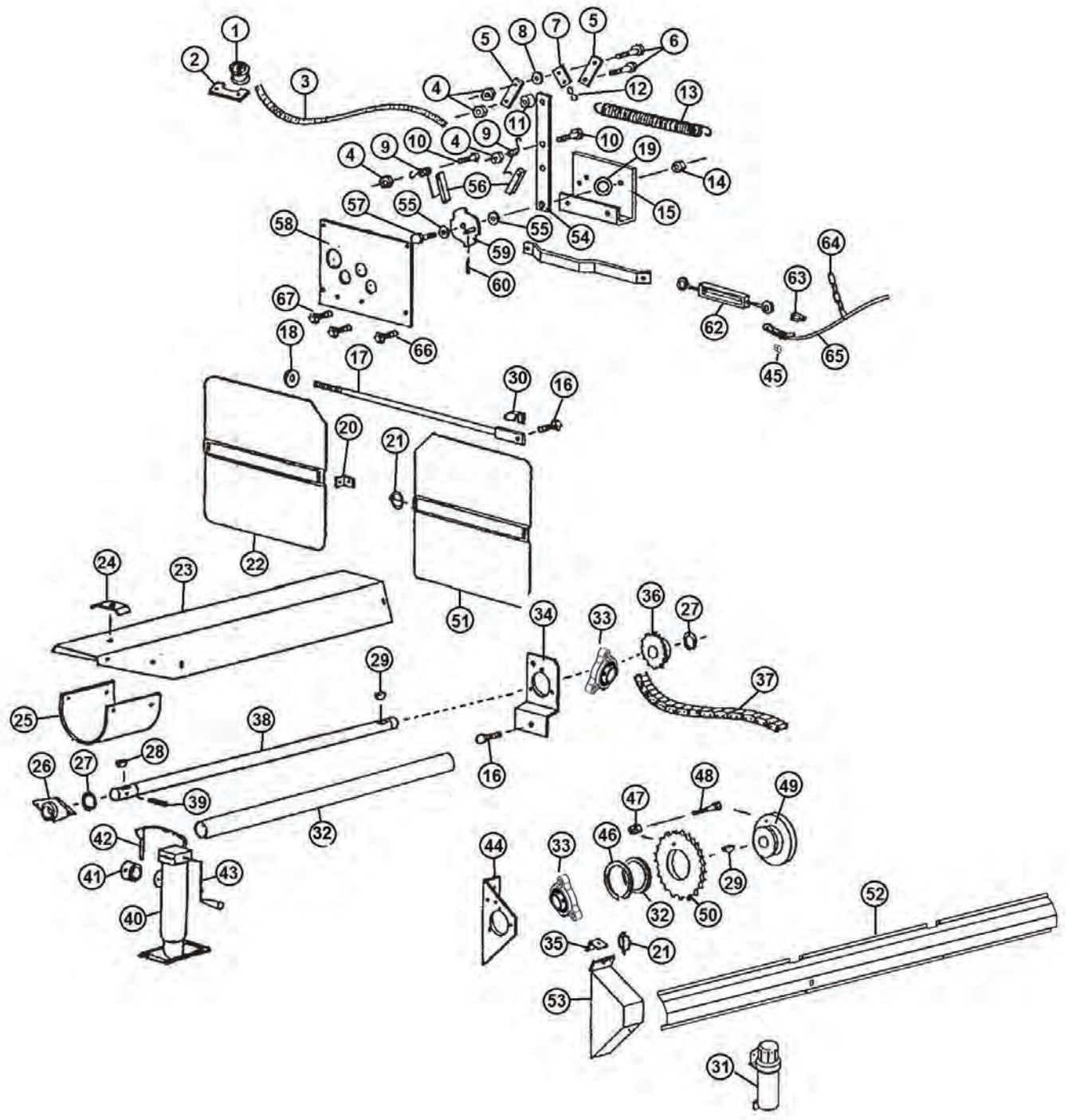
REF #	PART #	DESCRIPTION	QTY
1	F33	CABLE GUIDE	1
2	23N182	BRACKET	1
3	77192	ROPE, 5/16, 180	1
4	YNTL12005	NUT HEX, 3/8	4
5	23N184	BRACKET	2
6	YBHH12035	BOLT HEX 3/8 X 1-1/4 G5	2
7	23N185	SPRING BRACKET	1
8	YWFL12005	WASHER FLAT, 3/8	1
9	23N186	DOG SPRING	1
10	YBHH12010	BOLT HEX, 3/8 X 1 G5	2
11	D107	SPACER	1
12	X79	S- HOOK	1
13	23N187	SPRING	1
14	YNHX16005	NUT HEX, 1/2	1
15	23N188	SHIFTER BRACKET	1
16	YBFB16150	BOLT FLANGE, 1/2 X 1-1/2 G5	2
17	23N63	TIGHTENER ROD	1
18	F129	WASHER	1
19	31N51	SHIFTER SPACER WASHER	1
20	F92	SHIELD BRACKET	1
21	YPLY08010	LYNCH PIN, 1/4 X 1-1/2	2
22	23N305	FRONT SHIELD	1
23	23N66	SHIELD	1
24	23N67	TAILGATE HOSE BRACKET	1
*	HE42	HYDRAULIC DRIVE BRACKET	1
25	F54	SHIELD	1
26	12N29	BEARING	1
27	F73	SNAP RING	2
28	5B10	WOODRUFF KEY, 1/4 X 1	1
29	5B9	WOODRUFF KEY, 3/8 X 1-1/4	2
30	23N278	SPACER	1
31	S522	MANUAL HOLDER	1
32	37N74	FRONT SHAFT GUARD	1
33	80662	BEARING, 1-1/4	2
34	23N68	JACK SHAFT BRACKET	1
35	23N242	SHIELD BRACKET	1
36	23N70	SPROCKET (25T)	1
*	37N72	SPROCKET (16T) (OPTIONAL 1000 RPM)	1
37	23N245	ROLLER CHAIN	1







**FIGURE 3**  
**FRONT SHIELD & DRIVE ASSEMBLY**





# FIGURE 3

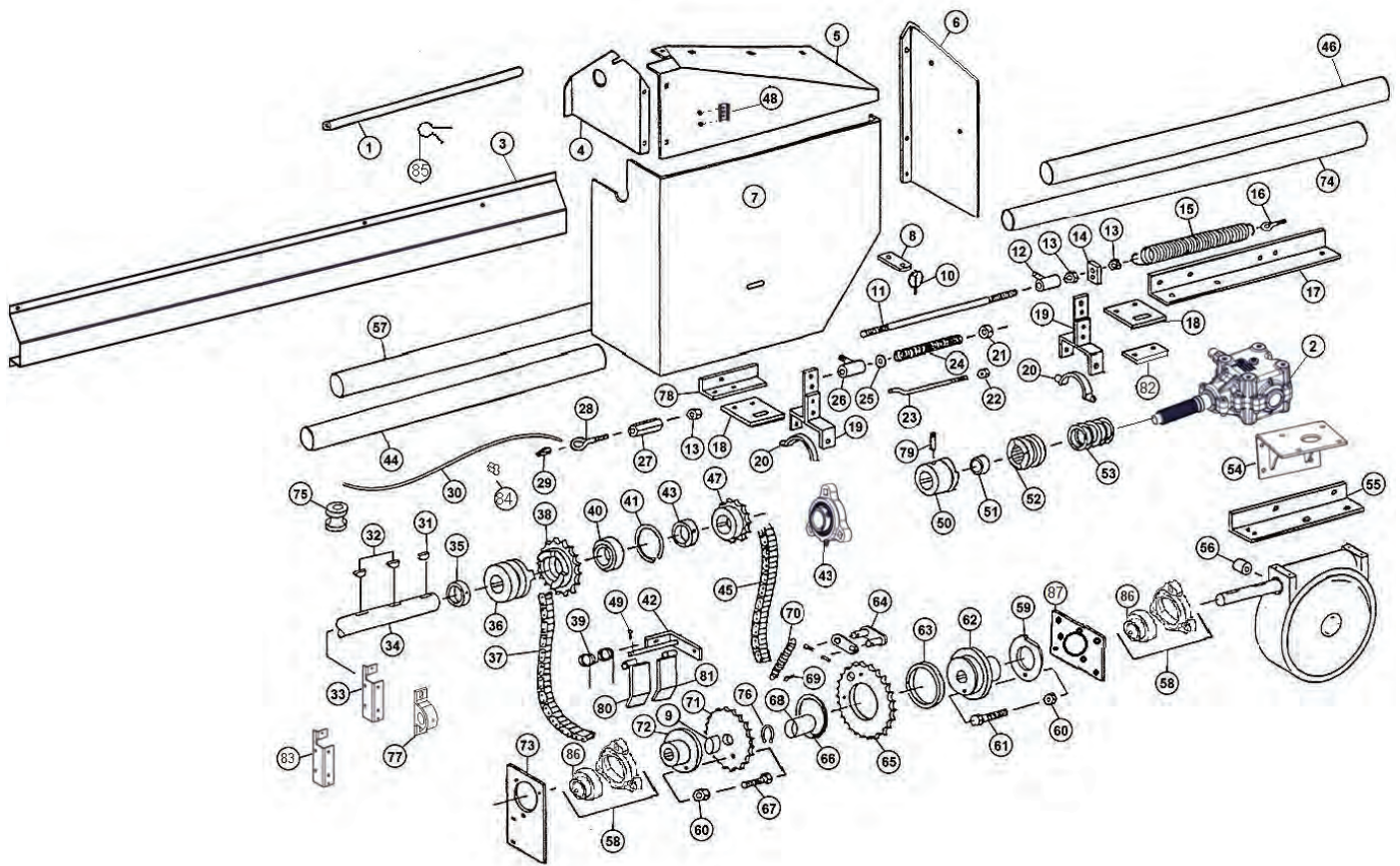
## FRONT SHIELD & DRIVE ASSEMBLY

REF #	PART #	DESCRIPTION	QTY
38	23N72	FRONT SHAFT	1
39	YPEX10020	EXPANSION PIN, 5/16 X 2-1/4	1
40	27N49	JACK	1
*	12N120	JACK GEAR REPAIR KIT	1
41	27N51	JACK MOUNT	1
42	27N50	JACK PIN	1
43	12N119	HANDLE	1
*	12N118	REPLACEMENT BEARING	1
44	85014B	BEARING PLATE	1
45	ES15	CABLE CLAMP, 1/8	1
46	23N189	SNAP RING	1
47	YNTL12005	NUT HEX, TOP LOCK, 3/8	1
48	YBHH12025	BOLT HEX, 3/8 X 1-1/2 G5	1
49	45N71	SHEAR HUB	1
50	C1MS01	SHEAR SPROCKET	1
51	23N306	FRONT SHIELD LH	1
52	86122B	SIDE SHIELD	1
53	85034B	SHIELD	1
54	23N192	FRONT SHIFTER ARM	1
55	YWFL16005	WASHER FLAT, 1/2 USS	2
56	23N193	DOG	2
57	YBHH16055	BOLT HEX, 1/2 X 1-3/4 G5	1
58	23N195	SHIFTER PANEL	1
59	23N196	SPEED SELECTOR	1
60	YPCT04005	COTTER PIN, 1/8 X 1	1
61	23N197	SHIFTER A RM	1
62	F84	TURNBUCKLE	1
63	ES14	CABLE LOOP	1
64	23N198	CABLE CHAIN	1
65	31N27	CABLE	1
66	YBFB12150	BOLT FLANGE, 3/8 X 1-1/2 G5	1
67	YBFB12003	BOLT FLANGE, 3/8 X 1 G5 ZC	2





# FIGURE 4 BACK SHIELDS & DRIVE ASSEMBLY





# FIGURE 4

## BACK SHIELDS & DRIVE ASSEMBLY

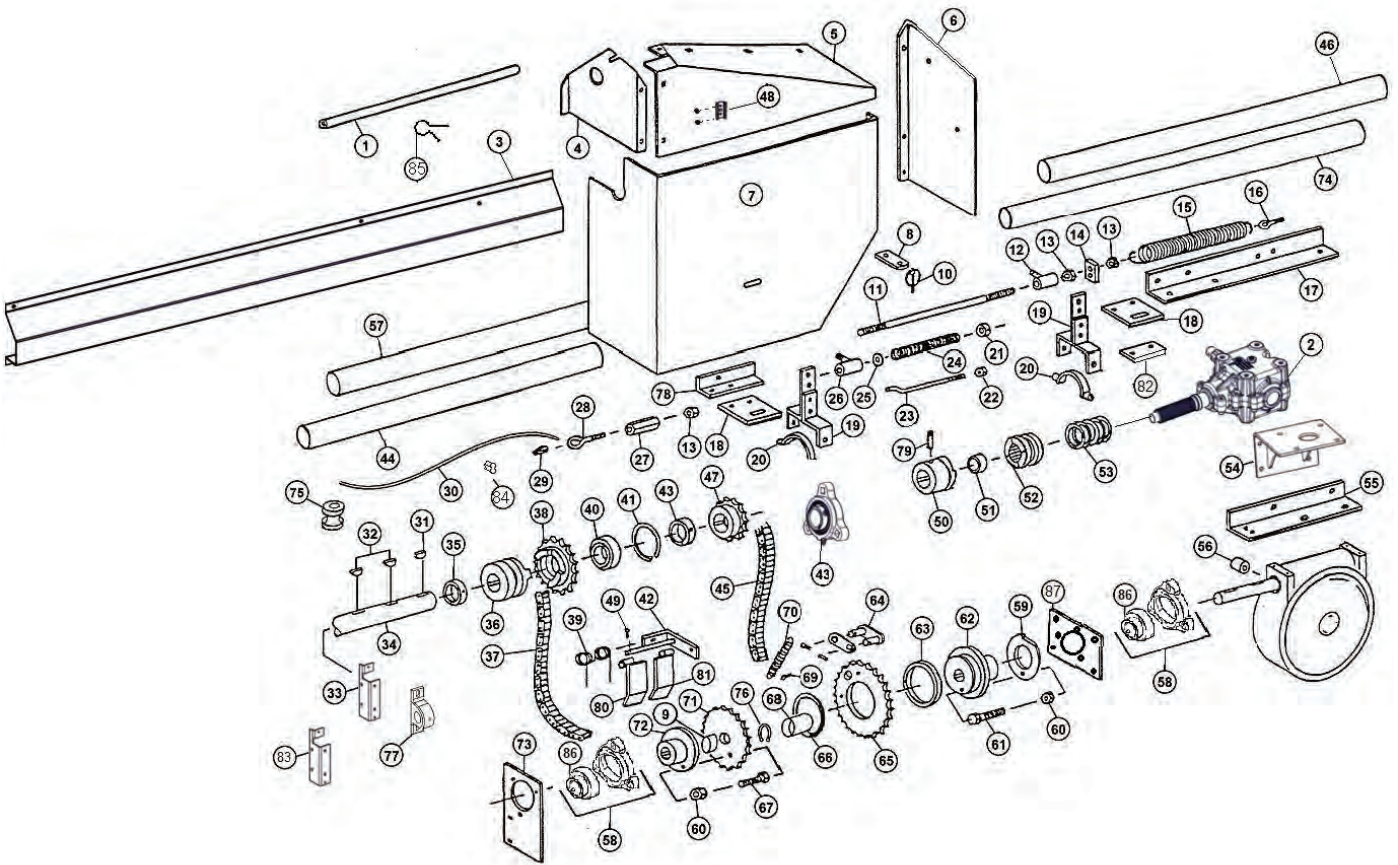
REF #	PART #	DESCRIPTION	QTY
1	23N200	CABLE GUARD	1
2	85385	GEAR BOX	1
3	86123B	SIDE SHIELD	1
4	86108	SHIELD	1
5	86114	BACK SHIELD TOP	1
6	86109	BACK SHIELD	1
7	86103B	COVER	1
8	86101	SHIELD BRACKET	1
9	56027	BUSHING	1
10	S122	LYNCH PIN W/CABLE	1
11	23N205	CLUTCH ROD	1
12	23N206	SHIFTING ROD BRACKET	1
13	YNHX12005	NUT HEX, 3/8	3
14	23N207	SPRING BRACKET	1
15	K103	SPRING	1
16	YBTE08005	TURNED EYE BOLT, 1/4 X 1 FULL THREAD	1
17	85010	TOP ANGLE	1
18	85006	SHIFTER BRACKET	2
19	D57	SHIFTER LEVER	2
20	23N208	YOKE W/ ZERK	2
21	23N209	COLLAR	1
22	YNTL08005	NUT HEX, TOP LOCK, 1/4	1
23	23N210	SHIFTING ROD	1
24	23N211	SPRING BRACKET	1
25	YWFL12005	WASHER FLAT, 3/8 USS	1
26	23N206	ROD BRACKET	1
27	23N212	COUPLING NUT	1
28	YBTE12005	TURNED EYE BOLT, 3/8 X 1	1
29	ES14	CABLE LOOP	1
30	31N27	CABLE	1
31	5B9	WOODRUFF KEY, 3/8 X 1-1/4	1
32	5B10	WOODRUFF KEY, 1/4 X 1	2
33	86104	SIDE BEARING BRACKET	1
34	37N58	SIDE SHAFT	1
35	F6	COLLAR	1
36	23N215	CLUTCH THROW-OUT	1
37	23N93	CHAIN (#50 60 PITCHES)	1
38	23N216	CLUTCH SPROCKET	1
*	61138	INCLUDES (SPROCKET,BEARING,SNAP RING)	1







# FIGURE 4 BACK SHIELDS & DRIVE ASSEMBLY







# FIGURE 4

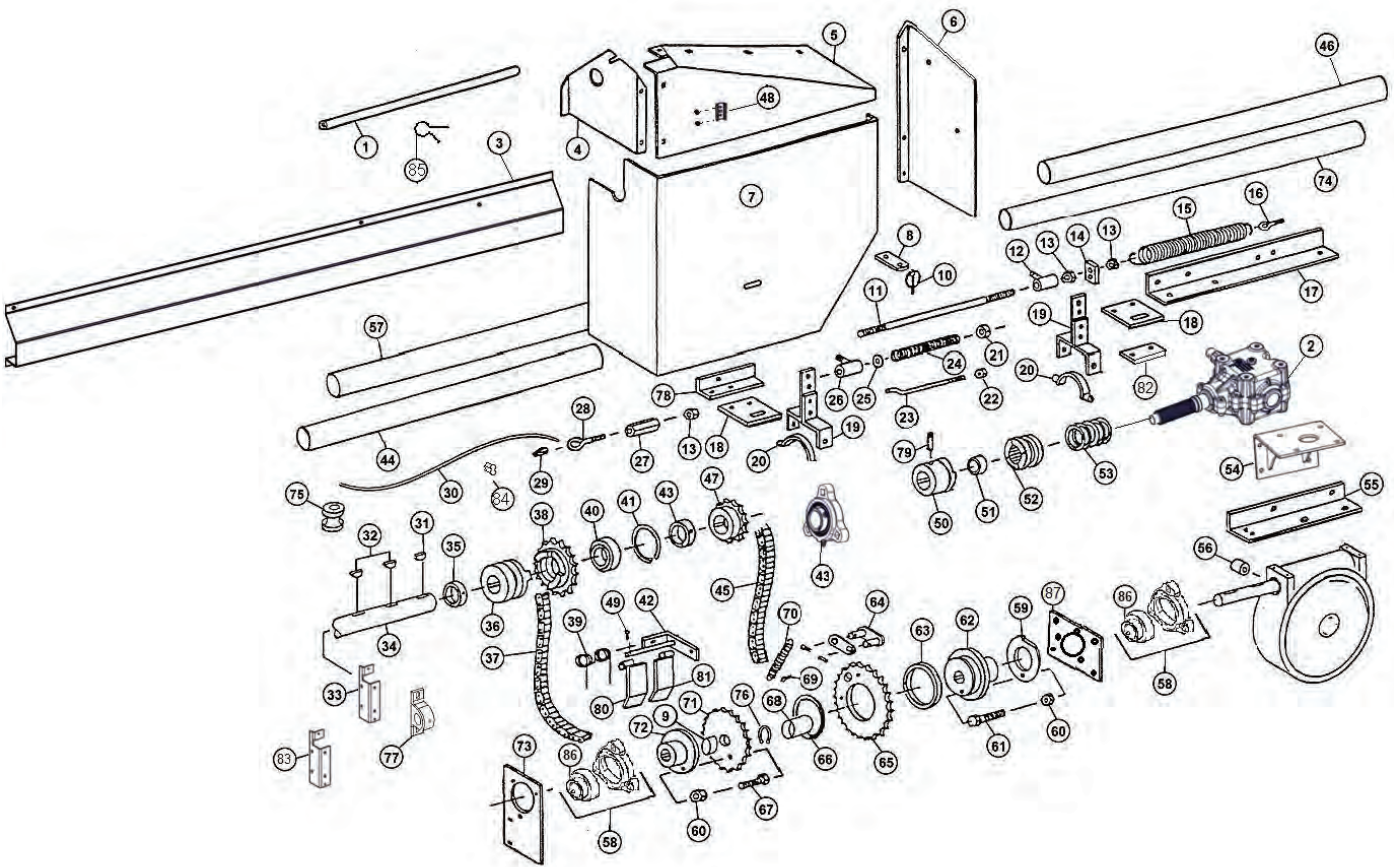
## BACK SHIELDS & DRIVE ASSEMBLY

REF #	PART #	DESCRIPTION	QTY
39	31N33	SPRING TIGHTENER	1
40	BFR525	BEARING	1
41	3G19	SNAP RING	1
42	31N36	TIGHTENER BRACKET	1
43	80662	BEARING	2
44	31N45	#1 SIDE SHAFT GUARD	1
45	23N93	CHAIN (#50 60 PITCHES)	1
46	60643	#4 SIDE SHAFT GUARD	1
*	56036	SPROCKET BUSHING	1
47	10R11	SPROCKET (13T)	1
48	F97	SMV BRACKET	1
49	YPCT04005	COTTER PIN, 1/8 X 1	1
*	X60	OFFSET LINK (#50)	1
*	X61	CONNTOR (#50)	1
*	31N38	CHAIN TIGHTENER ASSEMBLY	1
50	23N241	CLUTCH	1
51	D68	BRONZE BUSHING	1
52	23N90	CLUTCH	1
53	23N89	SPRING	1
54	85205	GEARBOX BOTTOM BRACKET	1
55	23N95	WORM BOX HOLDER	2
56	85157	SIDE SHIELD	1
57	31N44	#2 SIDE SHAFT GUARD	2
58	80530	BEARING W/ SETSCREWS	2
59	23N222	SHEAR PLATE	1
60	YNTL08005	NUT HEX, TOP LOCK, 1/4	1
61	YBHH08035	BOLT HEX, 1/4 X 1-1/4 G5	1
62	23N224	SHEAR HUB	1
63	23N225	BUSHING, BRONZE	1
64	60531	CONNECTOR LINK W/ PINS	1
*	74381	SPROCKET	1
65	23N226	SPROCKET W/BUSHING	1
66	23N227	SNAP RING	1
67	YBHH08035	BOLT HEX, 1/4 X 1-1/4 G5	1
68	56029	SPACER	1
69	YPCT04005	COTTER PIN, 1/8 X 1	1
70	23N229	DOG SPRING	1
71	56026	SPROCKET	1
72	56025	SHEAR HUB	1

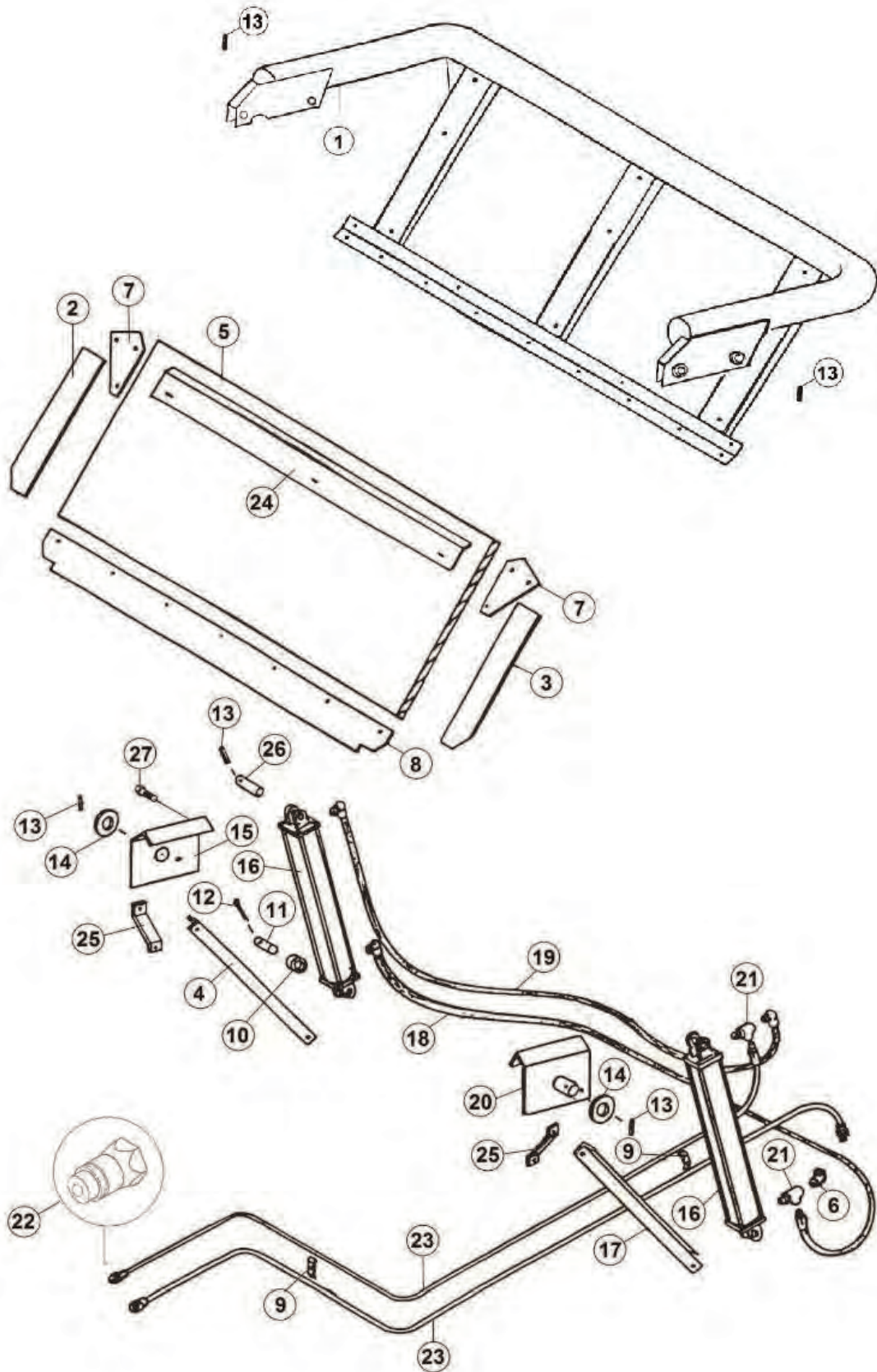




# FIGURE 4 BACK SHIELDS & DRIVE ASSEMBLY











# FIGURE 5

## HYDRAULIC ENDGATE ASSEMBLY

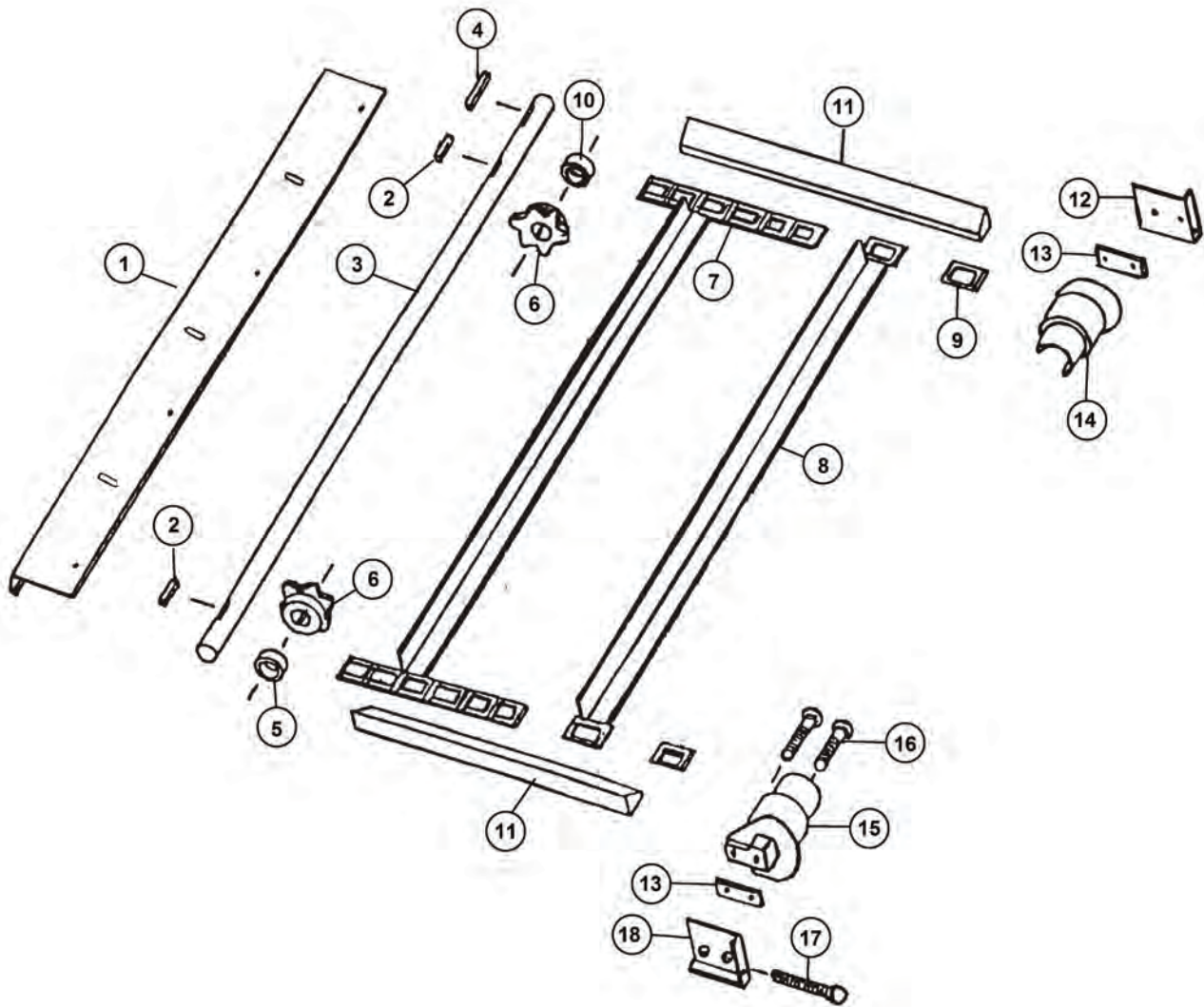
REF #	PART #	DESCRIPTION	QTY
1	37N34	TAILGATE FRAME	1
*	YBCR12010	BOLT CARRIAGE, 3/8 X 1 G5	2
*	YBCR12095	BOLT CARRIAGE, 3/8 X 4 G5	9
*	YBCR12020	BOLT CARRIAGE, 3/8 X 1-1/4 G5	7
*	YBCR12015	BOLT CARRIAGE, 3/8 X 1-1/2 G5	16
*	YWFL12005	WASHER, FLAT, 3/8	32
*	YWFL16005	WASHER, FLAT, 3/8	17
*	YNHX12005	NUT HEX, 3/8	34
*	37N88	TAILGATE RUBBER HOLDER	2
2	37N35	SIDE RUBBER RH	1
3	37N36	SIDE RUBBER LH	1
4	37N62	TAILGATE BRACKET BRACE RH	1
5	37N69A	TAILGATE PLYWOOD W/FIBERGLASS	1
6	58127	FITTING, 6 C6X-S	1
7	23N104	TAILGATE CORNER	2
8	23N105	BOTTOM RUBBER	1
9	23N67	FRONT HOSE BRACKET	2
10	K132	SPACER, 3/8	1
11	23N107	CYLINDER PIN	1
12	YPCT07005	COTTER PIN, 7/32 X 2	1
13	YPEX10015	EXPANSION PIN, 5/16 X 1-3/4	4
14	23N109	TAILGATE WASHER	2
15	23N110	TAILGATE MOUNT RH	1
16	69969	HYD CYL 2 X 16 W/PINS 90 DEGREE TO PORTS	2
17	37N59	TAILGATE BRACE LH	1
18	93199	HYDRAULIC HOSE 6 X 110	1
19	93200	HYDRAULIC HOSE 6 X 150	1
20	23N115	TAILGATE MOUNT LH	1
21	84276	FITING TEE, 6JIC, 6ORB, 6JIC	2
22	67148	QUICK COUPLER	2
23	93205	HYD HOSE, 6 X 328	2
24	23N163	TAILGATE POLY HOLD DOWN	1
25	23N232	TAILGATE BRACKET BRACE	2
26	23N301	CYLINDER PIN	1
27	YBCR16021	BOLT CARRIAGE, 1/2 X 1-3/4	1







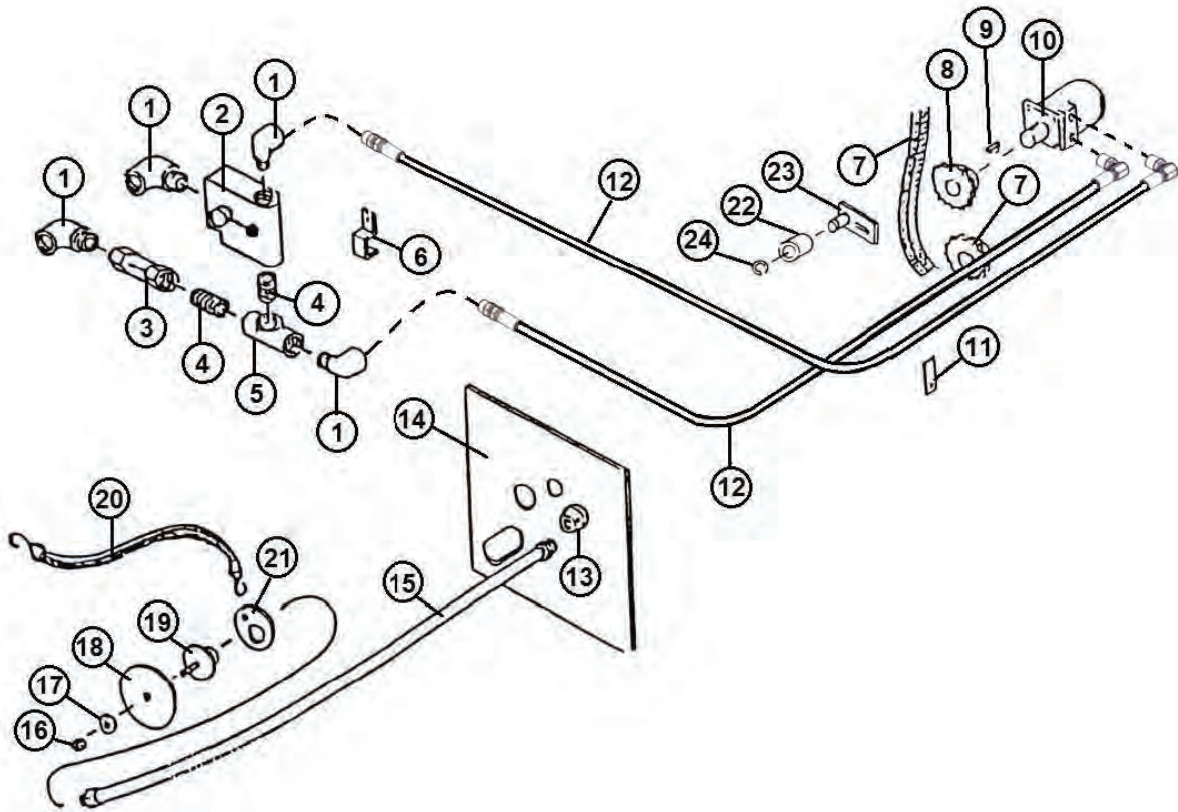
**FIGURE 6**  
**APRON CHAIN ASSEMBLY**







**FIGURE 7**  
**OPTIONAL HYDRAULIC DRIVE ASSEMBLY**





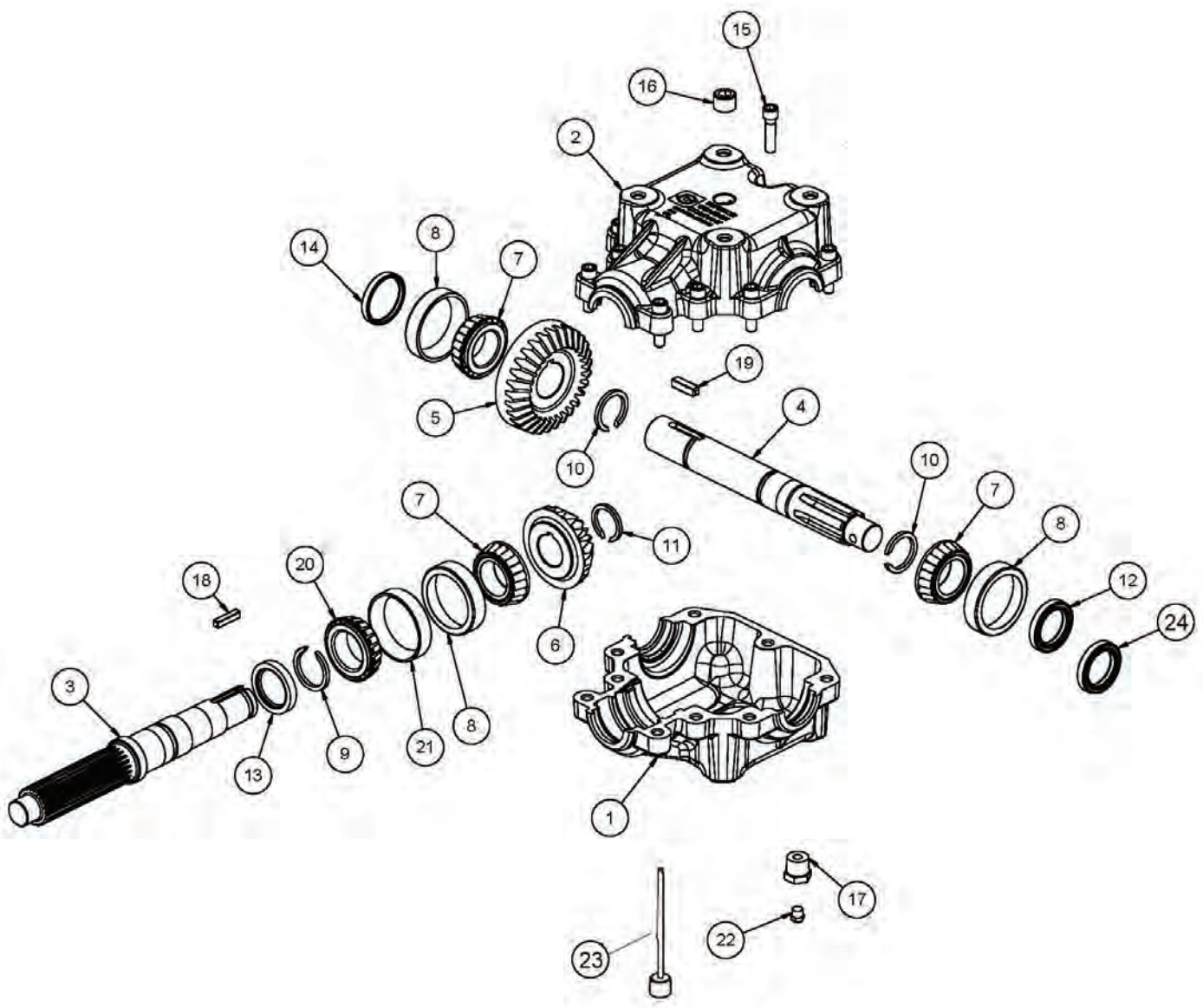






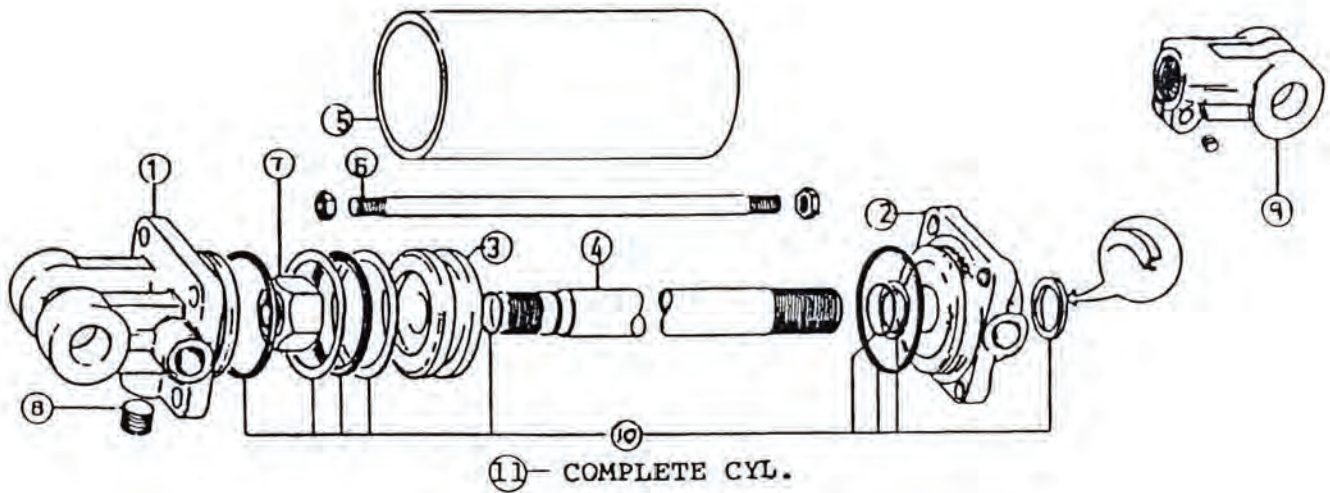


**FIGURE 9**  
**BEVEL GEARBOX**







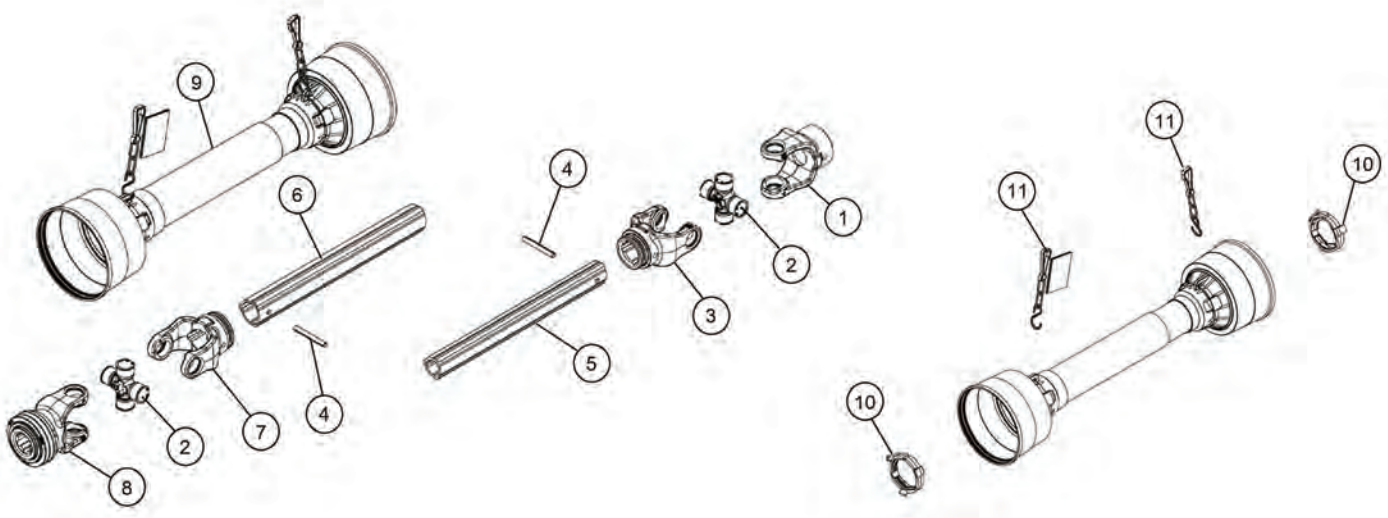






# FIGURE 11

## PTO ASSEMBLY

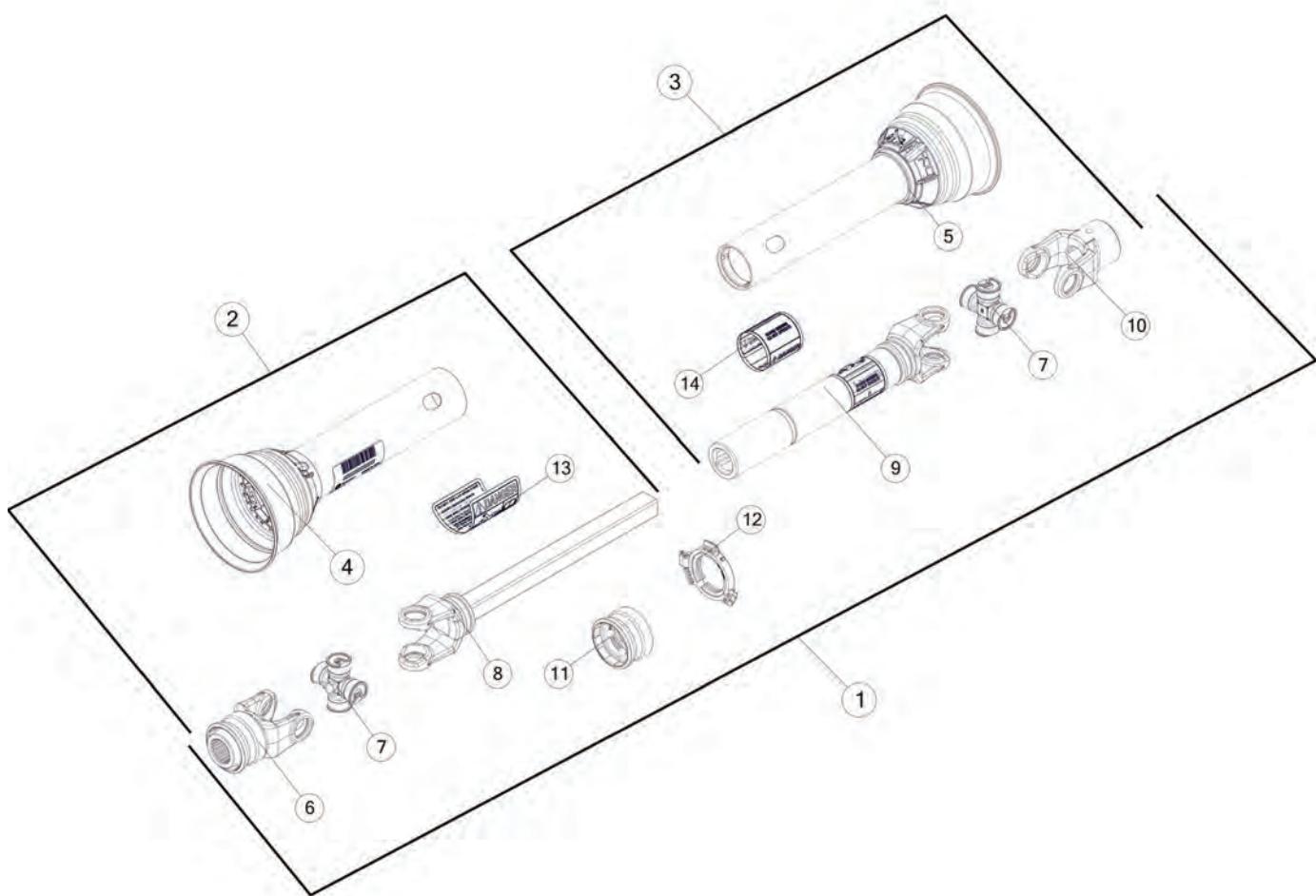




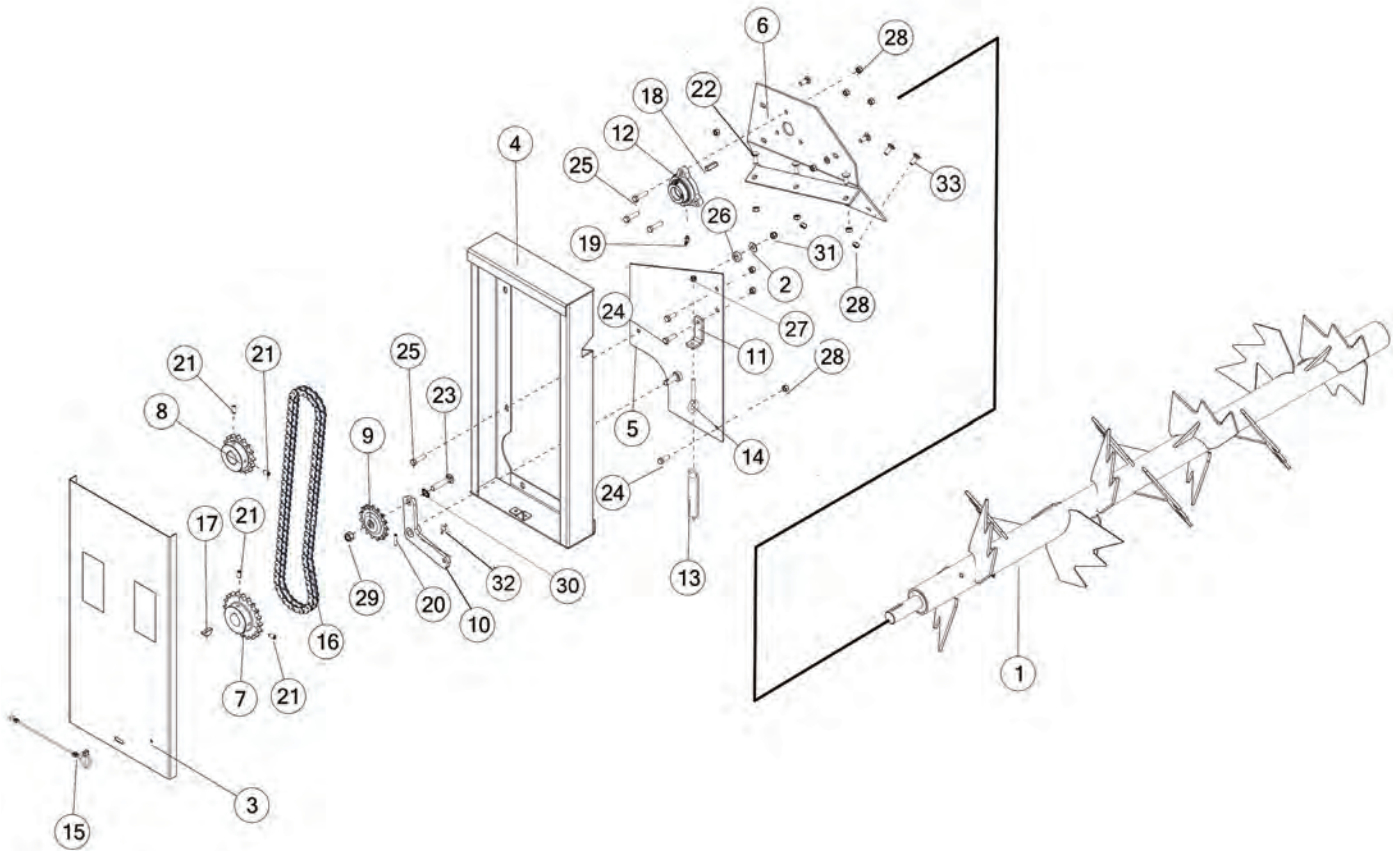




**FIGURE 12**  
PTO ASSEMBLY (1000RPM)









# FIGURE 13

## OPTIONAL 2ND BEATER LH

REF #	PART #	DESCRIPTION	QTY
1	80724	SECOND BEATER	1
2	YWFL12005	WASHER FLAT, 3/8	1
3	81467	FRONT SHIELD W/DECAL	1
4	81468	BEATER SHIELD W/DECALS	1
5	81465	BACK SHIELD W/DECAL	1
6	80718	BEATER PANEL RH	1
7	80898	SPROCKET (20T)	1
8	D23	SPROCKET (16T)	1
9	12N42	IDLER SPROCKET (15T)	1
10	80728	SPRING TENSIONER ARM	1
11	80152	SPRING TENSIONER BRKT	1
12	80725	BEATER BEARING	1
13	ST36	TENSION SPRING	1
14	YBTE10039	BOLT TURNED EYE, 5/16 X 4	1
15	S122	LANYARD CLIP PIN CABLE	1
16	37N49	ROLLER CHAIN #60	1
17	5B9	KEY	1
18	A32	SQUARE KEY	1
19	RG21	GREASE ZERK, 45 DEGREE	1
20	YPEX08010	EXPANSION PIN, 1/4 X 1-1/4	1
21	YSKP12035	SETSCREW, 3/8 X 3/4	4
22	YBCR12010	BOLT CARRIAGE, 3/8 X 1 G5	3
23	YBCR16025	BOLT CARRIAGE, 1/2 X 2-1/2 G2	1
24	YBFB12003	BOLT FLANGE, 3/8 X 1 G5	3
25	YBFB12150	BOLT FLANGE, 3/8 X 1-1/2 G5	3
26	S246	SPACER	1
27	YNFG10005	NUT FLANGE, 5/16 GF	1
28	YNFG12006	NUT FLANGE, 3/8 GF	12
29	YNFG16003	NUT FLANGE, 1/2 GF	1
30	YWFL14005	WASHER FLAT, 7/16	4
31	YNNY12005	NUT HEX, 3/8 LKNY G2	1
32	G89	STRAIGHT ZERK, 1/4-28 X 90	1
33	YBCR12020	BOLT CARRIAGE, 3/8 X 1-1/4 G5	3

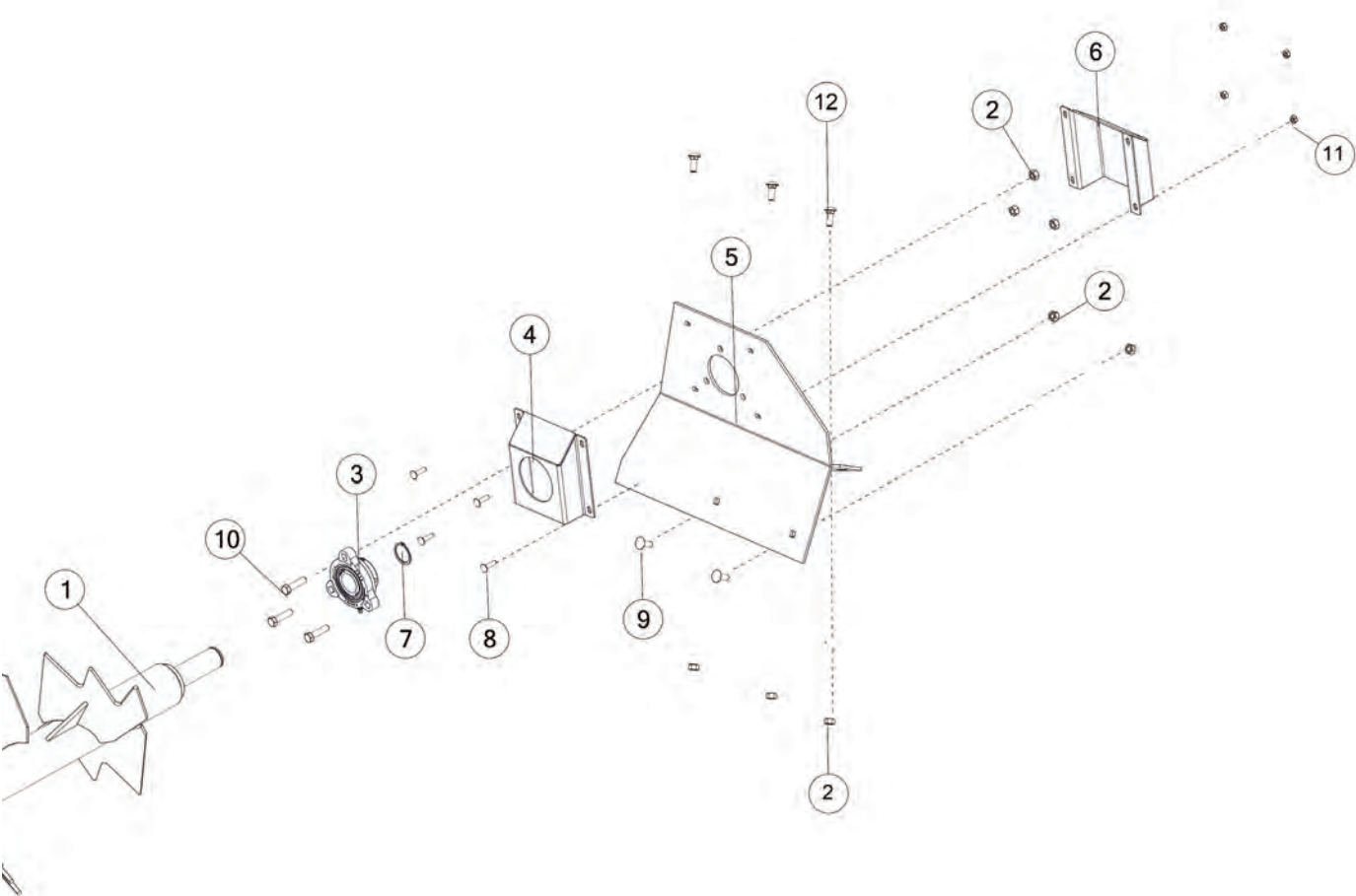






# FIGURE 13

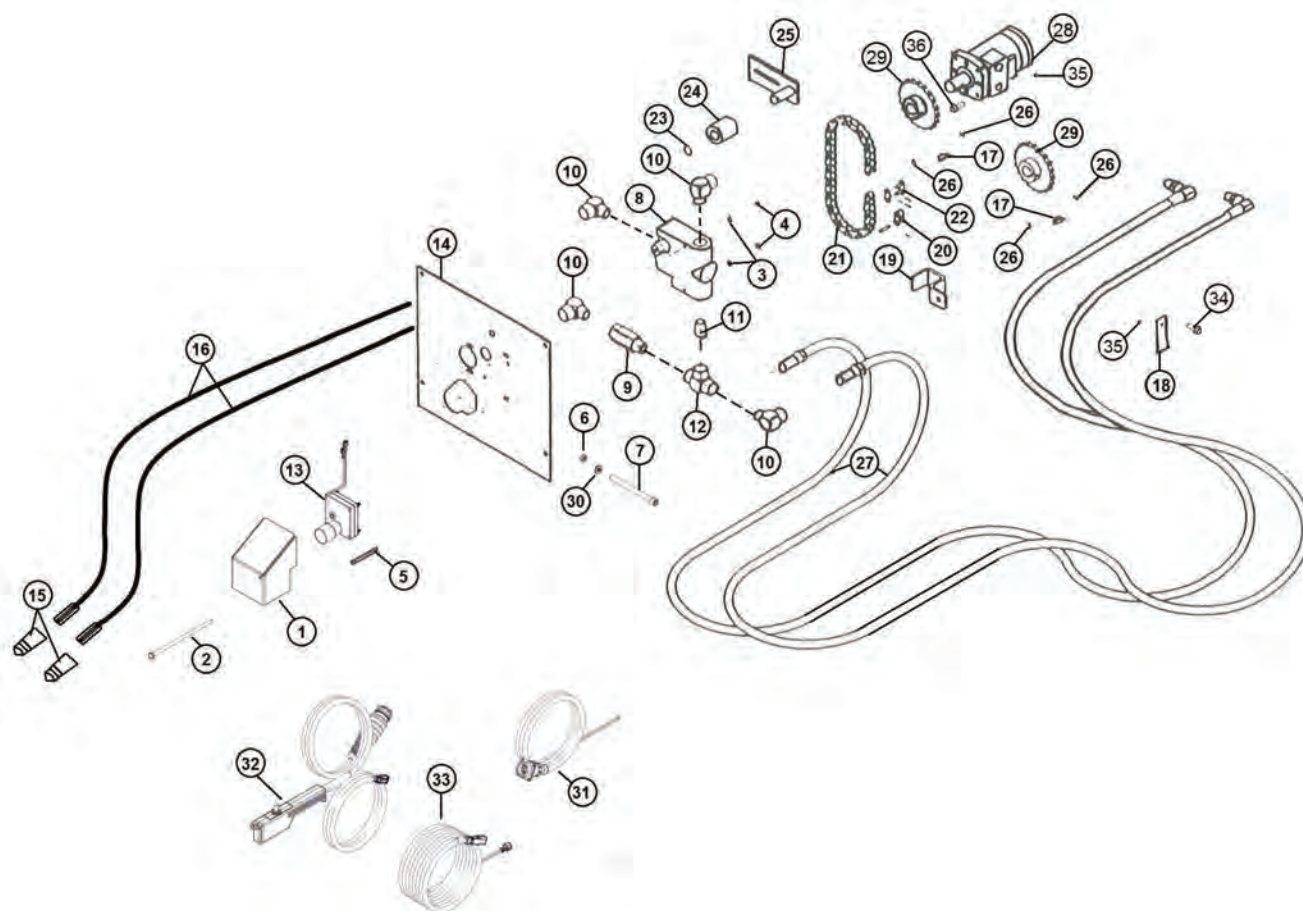
## OPTIONAL 2ND BEATER RH







**FIGURE 14**  
**OPTIONAL ELECTRIC CONTROL**  
**FOR HYDRAULIC DRIVE**





# FIGURE 14

## OPTIONAL ELECTRIC CONTROL FOR HYDRAULIC DRIVE

REF #	PART #	DESCRIPTION	QTY
1	81058	MOTOR SHIELD HOLDER	1
2	YBHH08127	SHIELD BOLT	1
3	YWLO08005	WASHER LOCK, 1/4	2
4	YNTL08005	NUT HEX, 1/4 G2	2
5	YBCR08025	BOLT CARRIAGE, 1/4 X 2-1/2 G5	2
6	YNTL12005	NUT HEX, 3/8	1
7	YSHS12020	BOLT SOCKET, 3/8 X 4-1/2	1
8	DF15A	FLOW CONTROL	1
9	DF18	CHECK VALVE	1
10	HE58	FIT, 90, 1/2NPT X 1/2NPT	4
11	DF4	FIT, STRAIGHT, 1/2NPT X 1/2NPT	1
12	DF8	FIT, TEE, 1/2NPT X 1/2NPT X 1/2NPT	1
13	81270	GEAR MOTOR	1
14	23N133	CONTROL PANEL	1
15	DWM205	MALE QUICK COUPLER	2
16	23N309	HYDRAULIC HOSE, 8 X 96	2
17	5B10	WOODRUFF KEY, 1/4 X 1	2
18	HE42	HOSE HOLDER	1
19	HE14	PIPE BRACKET	1
20	X60	OFFSET LINK (#50)	1
21	23N131	ROLLER CHAIN (#50, 40 PITCHES)	1
22	X61	CONNECTOR LINK (#50)	1
23	10R32	EXTERNAL SNAP RING	1
24	23N238	CHAIN TIGHTENER ROLLER	1
25	L10R35	TIGHTENER BRAKET	1
26	YSKP10010	SCREW, SOCKET HEAD 5/16 X 3/8	2
27	77330	HYDRAULIC HOSE, 6, 224IN	2
28	DF1	HYDRAULIC MOTOR	1
29	11S19	DRIVE SPROCKET (20T)	1
30	YWLO12005	WASHER LOCK, 1/4	1
31	16SV269	TRACTOR CONTROL HARNESS	1
32	63365	HAND CONTROLLER	1
33	16SV272	POWER SUPPLY CABLE	1
34	YBFB12225	BOLT FLANGE, 3/8 X 2-1/4 G5	1
35	YNFG12006	NUT FLANGE, 3/8 GF	2
36	YBFB12075	BOLT FLANGE, 3/8 X 3/4 G5	1

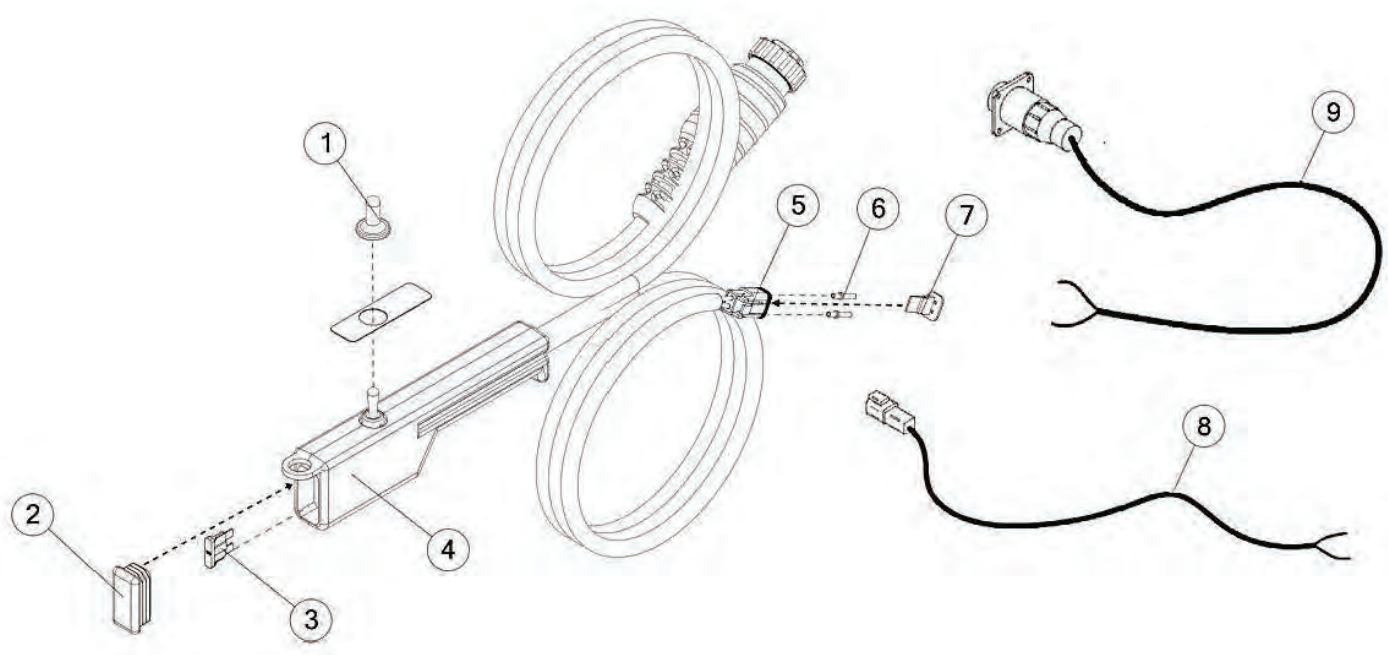






# FIGURE 15

## ELECTRIC CONTROL















H&S MFG. CO.  
products approved  
for the  
FEMA  
SEAL OF QUALITY



Manufactured by:  
H&S MANUFACTURING CO., INC.  
2608 S. HUME AVE. MARSHFIELD, WI 54449  
(715) 387-3414 | hsmfgco.com

