



# **PARTS BOOK**

**S3237**

**MANURE SPREADER**

Part #85975

Rev. #05

HSMFG081523

Starting Ser. #422MS37001



# TABLE OF CONTENTS

FIGURE #	CONTENTS	PAGE #
*	INSTRUCTIONS FOR ORDERING PARTS	1
1	JACK SHAFT SHIELD & COMPONENTS	2
2	FRONT SHIELDS & COMPONENTS	3
3	FRONT SHAFT & COMPONENTS	4-5
4	SHIFTING LINKS & COMPONENTS	6-7
5	FRONT SHAFT, SHIELDS & COMPONENTS	8-9
6	BEATER GEARBOX & COMPONENTS	10-11
7	APRON GEARBOX & COMPONENTS	12-13
8	GEARBOX SHIELD & COMPONENTS	14-15
9	BOTTOM BEATER & COMPONENTS	16-17
10	SPLASH GUARD & COMPONENTS	18-19
11	APRON CHAIN TIGHTENER & COMPONENTS	20
12	DRIVE SHAFT & COMPONENTS	21
13	FLOOR, SIDE PANELS & COMPONENTS	22-23
14	SIDE FLARES	24
15	APRON CHAIN	25
16	HYDRAULIC ENDGATE ASSEMBLY	26-27
17	APRON GEAR BOX	28-29
18	BEATER GEAR BOX	30-31
19	PTO	32-33
20	WHEEL & HUB ASSEMBLY	34-35
21	OPTIONAL 1000 RPM PTO (MSOPTO1038)	36-37
22	OPTIONAL TOP BEATER (MSOTB337)	38-41
23	OPTIONAL REAR PAN (MSOPAN310)	42-43
24	OPTIONAL HYDRAULIC DRIVE KIT 4 HOSE (MSO310HD4)	44-45
	OPTIONAL HYDRAULIC DRIVE KIT 4 HOSE (MSO310HD4EC)	46-47
25	W/ELECTRIC CONTROL	48-49
26	OPTIONAL ELECTRIC CONTROLS HYDRAULIC DRIVE (MSO-EC)	50-51
27	OPTIONAL HIGHWAY LIGHTING KIT (MSOLIGHT)	52-53
28	OPTIONAL TIRE / WHEEL (TWSHP370)	54
*	PARTS NOTES	



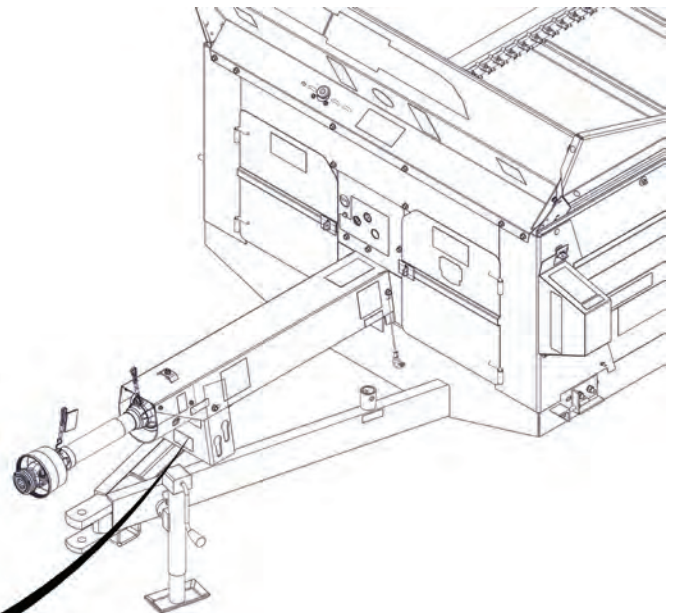
# INSTRUCTIONS FOR ORDERING PARTS

All service parts should be ordered through your authorized H&S dealer. Your Dealership will be able to give you faster service if you will provide them with the following:

1. All references to left or right apply to the machine as viewed from the rear.
2. Parts should not be ordered from illustration only. Please order complete part number.
3. If your dealer has to order parts - give shipping instructions:

VIA truck - large pieces (please specify local truck lines)

VIA United Parcel Service (include full address)



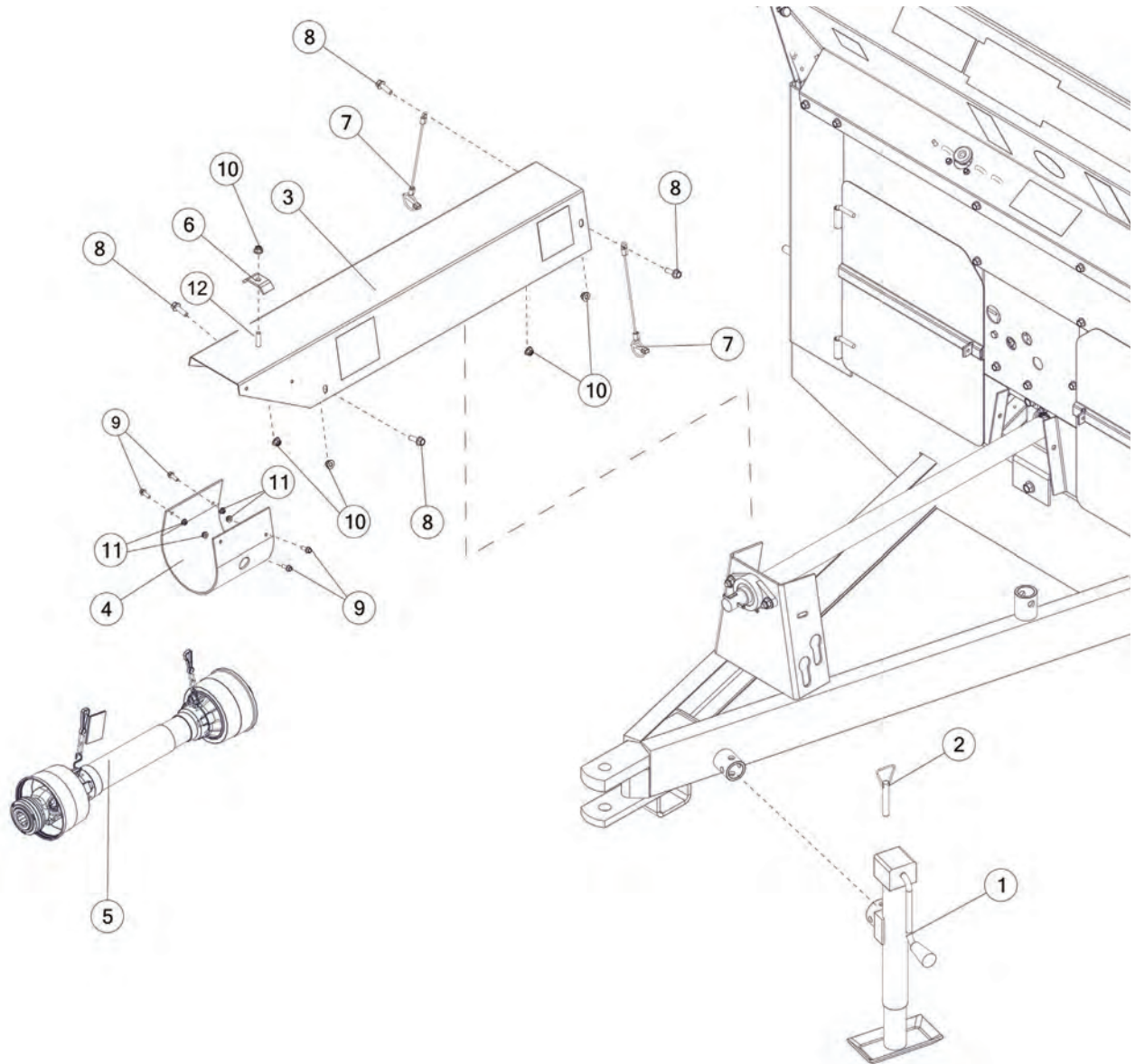
<b>H&amp;S MFG. CO. INC.</b> MARSHFIELD, WIS.	
MOD. NO.	<input type="text"/>
SER. NO.	<input type="text"/>
DESCR.	<input type="text"/>

PLEASE RECORD NUMBERS FOR YOUR UNIT FOR QUICK REFERENCE

H&S IS CONTINUALLY STRIVING TO IMPROVE ITS PRODUCTS

We must, therefore, reserve the right to make improvements or changes whenever it becomes practical to do so, without incurring any obligation to make changes or additions to the equipment previously sold.

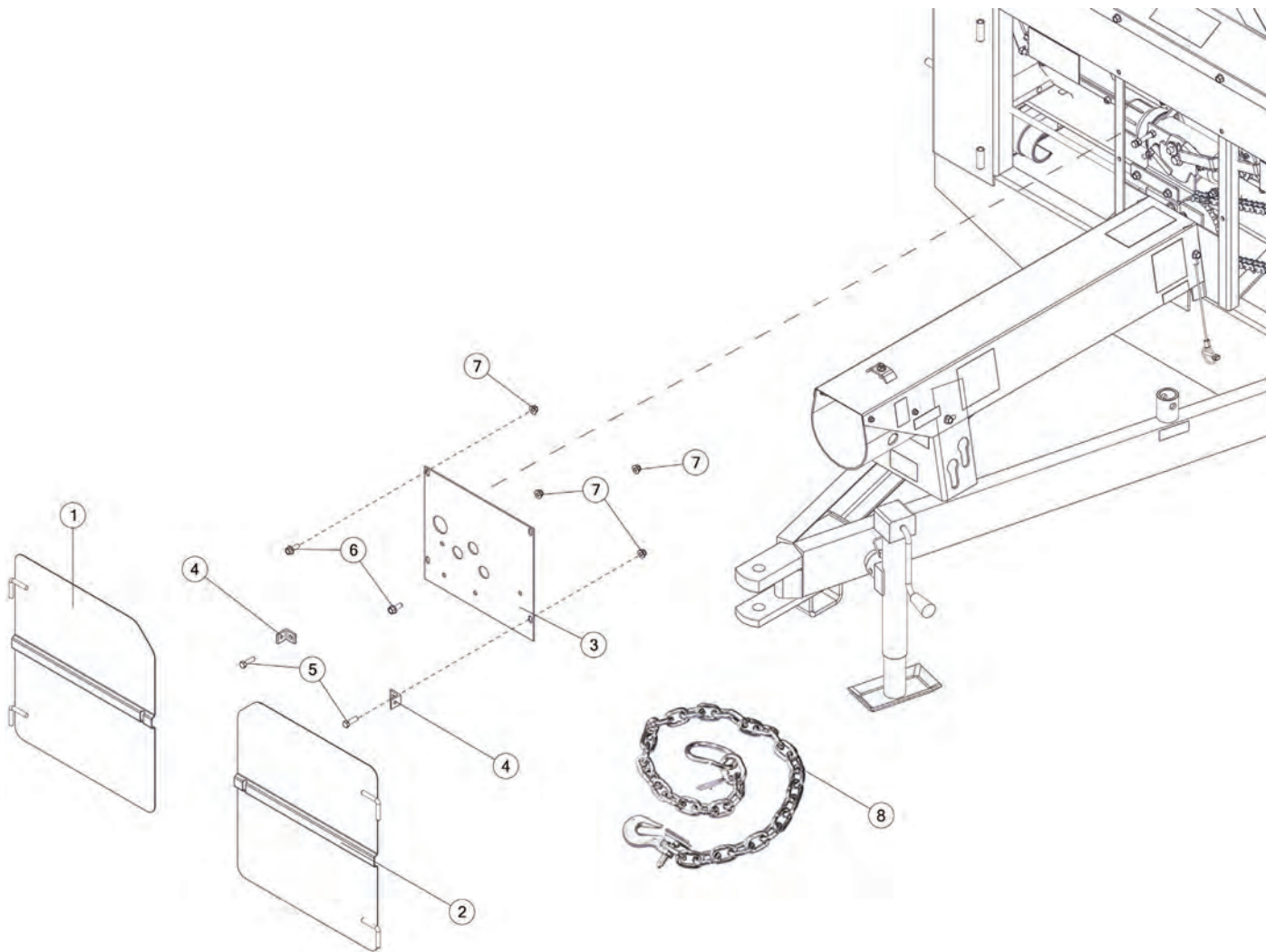




REF #	PART #	DESCRIPTION	QTY
1	27N49	JACK W/MOUNT, 5000# SW 10" LIFT	1
2	27N50	JACK PIN & CHAIN	1
3	23N66B	JACK SHAFT SHIELD W/DECALS	1
4	F54	PTO RUBBER	1
5	23N152Z	COMPLETE PTO	1
6	23N67	FRONT HOSE BRACKET	1
7	S122	LANYARD, CLIP PIN CABLE	2
8	YBFB12125	BOLT FLANGE, 3/8 X 1-1/4 G5	4
9	YBFB08075	BOLT FLANGE, 1/4 X 3/4 G5	4
10	YNFG12006	NUT FLANGE, 3/8 GF	5
11	YNFG08010	NUT FLANGE, 1/4 GF	4
12	YBFB12150	BOLT FLANGE, 3/8 X 1-1/2 G5	1



# FIGURE 2 FRONT SHIELDS & COMPONENTS

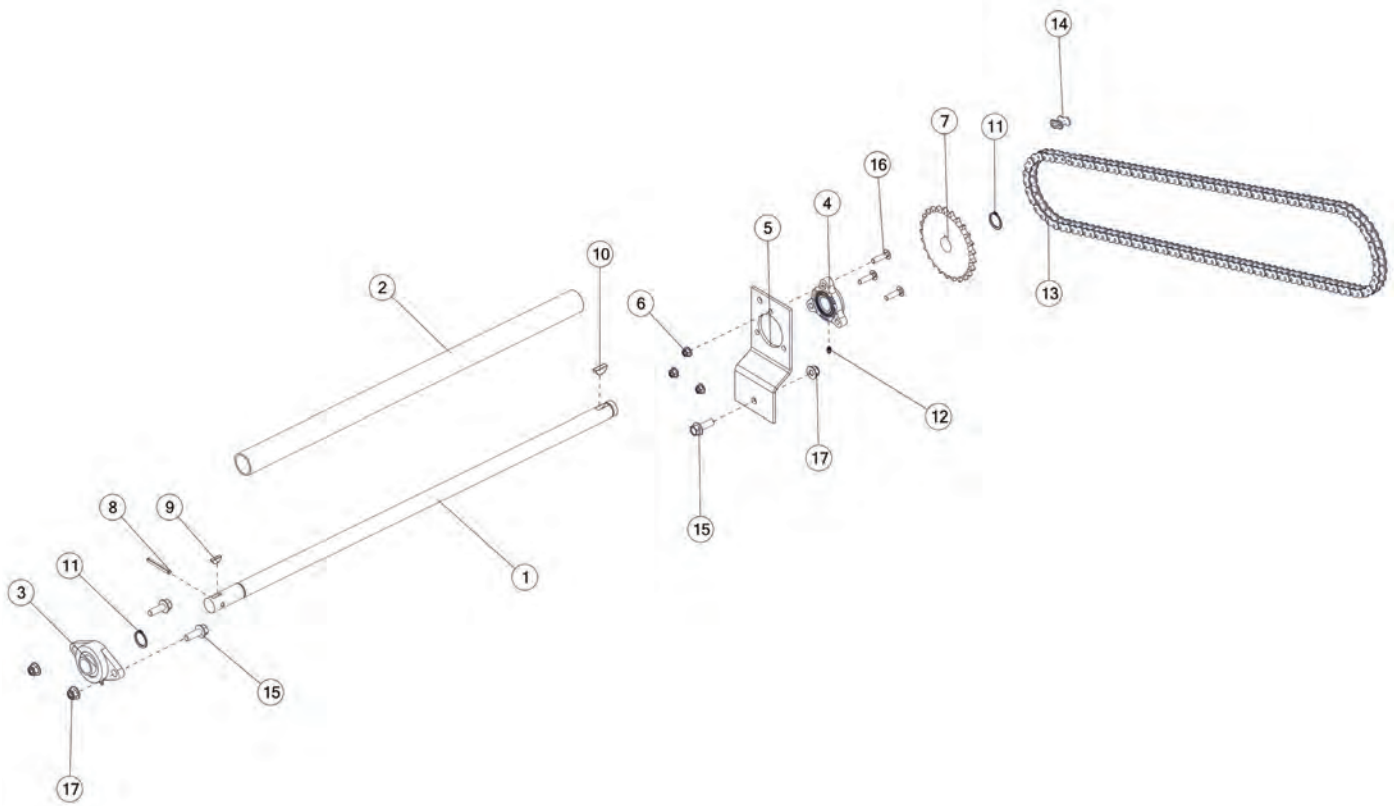


REF #	PART #	DESCRIPTION	QTY
1	23N305B	FRONT SHIELD RIGHT W/DECALS	1
2	23N306B	FRONT SHIELD LEFT W/DECALS	1
3	23N195	SHIFTER PANEL	1
4	F92	FRONT SHIELD BRACKET	2
5	YBHH12035	BOLT HEX, 3/8-16 X 1-1/4 G5	2
6	YBFB12003	BOLT FLANGE, 3/8 X 1 G5	2
7	YNFG12006	NUT FLANGE, 3/8 GF	4
8	SC30000	SAFETY CHAIN 30,000 LB. RATING	1





# FIGURE 3 FRONT SHAFT & COMPONENTS



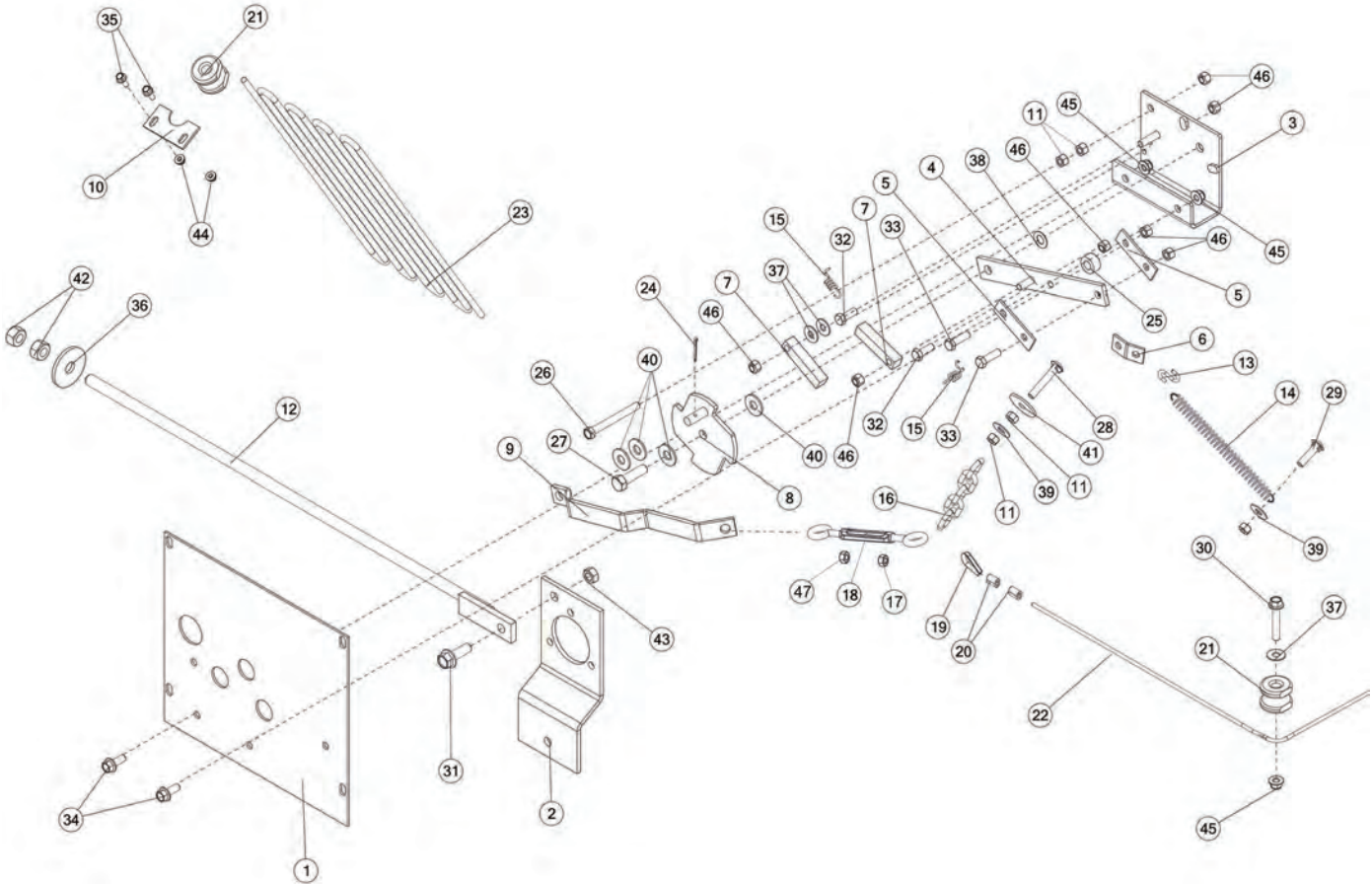


# FIGURE 3

## FRONT SHAFT & COMPONENTS

REF #	PART #	DESCRIPTION	QTY
1	23N72	FRONT SHAFT	1
2	37N74	FRONT SHAFT GUARD, 35.38	1
3	12N29	BEARING, 3.13 X 1.25 X 5.59	1
4	80662	BEARING, 1-1/4	1
5	23N68	FRONT ADJUSTMENT PLATE	1
6	YNFG12006	NUT FLANGE, 3/8 GF	3
7	23N70	SPROCKET, 60, B, 25, 1.25 SHAFT	1
8	YPEX10250	EXPANSION PIN, 5/16 X 2-1/2	1
9	5B10	WOODRUFF KEY, 1/4 X 1	1
10	5B9	WOODRUFF KEY, 3/8 X 1-1/4	1
11	F73	SNAP RING, 1-1/4	2
12	G89	ZERK, 1/4-28 STRAIGHT	1
13	23N245	ROLLER CHAIN, 124 PITCHES	1
14	D39	CONNECTOR LINK, #60	1
15	YBFB16150	BOLT FLANGE, 1/2 X 1-1/2 G5	3
16	YBCR12015	BOLT CARRIAGE, 3/8-16 X 1-1/2 G5 ZC	3
17	YNFG16003	NUT FLANGE, 1/2 GF	3





REF #	PART #	DESCRIPTION	QTY
1	23N195	SHIFTER PANEL	1
2	23N68	FRONT ADJUSTMENT PLATE	1
3	23N188	FRONT SHIFTER ASSEMBLY	1
4	23N192	SHIFTING DOG LEVER ASSEMBLY	1
5	23N184	SHIFTER ROPE BRACKET	2
6	23N185	FRONT SPRING RETURN BRACKET	1
7	23N193	SHIFTER DOG	2
8	23N196	FRONT SHIFTER ASSEMBLY	1
9	23N197	SHIFTER ARM	1
10	23N182	CABLE GUIDE BRACKET	1
11	YNHX12005	NUT HEX, 3/8-16 ZC	4





# FIGURE 4

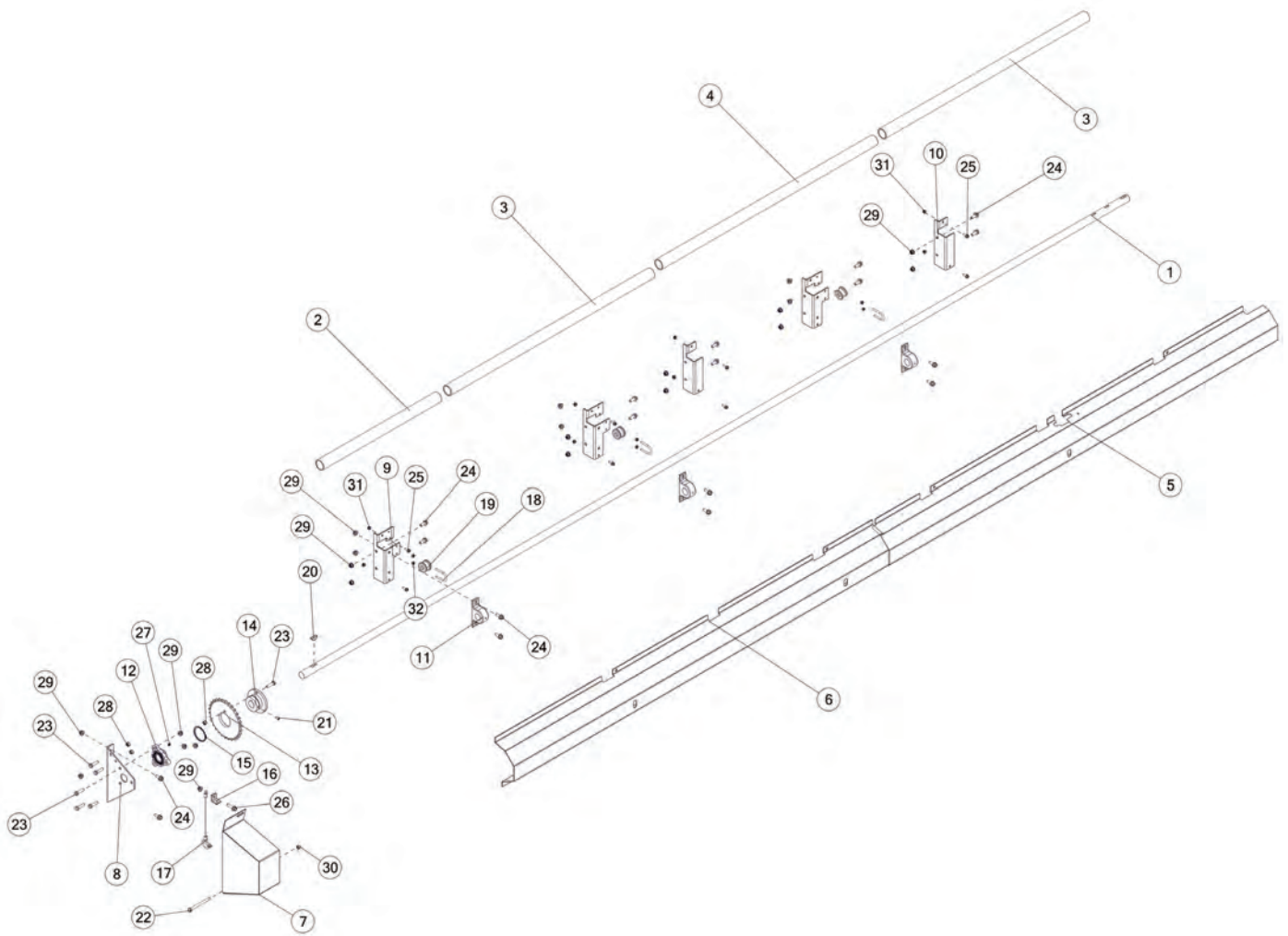
## SHIFTING LINKS & COMPONENTS

REF #	PART #	DESCRIPTION	QTY
12	23N63	TIGHTENER ROD	1
13	YMHK91005	S-HOOK 0.162 X 1-1/4	1
14	23N187	EXTENSION SPRING	1
15	23N186	TORSION SPRING	2
16	37N64	CHAIN, 1/4, 9P	1
17	YNHX10005	NUT HEX, 5/16-18 RH	1
18	F84	TURNBUCKLE ASSEMBLY	1
19	ES14	LOOP	1
20	71279	SLEEVE, .13 X .63	2
21	F33	SIDE CABLE GUIDE	2
22	37N53	CABLE, 3/16, 212	1
23	77192	ROPE, 5/16, 180	1
24	YPCT04005	COTTER PIN, 1/8 X 1	1
25	D107	ROPE PULLER	1
26	YBHH12125	BOLT HEX, 3/8 X 3 G5	1
27	YBHH16065	BOLT HEX, 1/2-13 X 2 G5	1
28	YBCR12045	BOLT CARRIAGE, 3/8-16 X 2-1/4 G5 ZC	1
29	YBCR12035	BOLT CARRIAGE, 3/8 X 2 G5	1
30	YBFB12225	BOLT FLANGE, 3/8 X 2-1/4 G5	1
31	YBFB16125	BOLT FLANGE, 1/2 X 1-1/4 G5	1
32	YBHH12010	BOLT HEX, 3/8 X 1 G5	2
33	YBHH12035	BOLT HEX, 3/8-16 X 1-1/4 G5	2
34	YBFB12003	BOLT FLANGE, 3/8 X 1 G5	2
35	YBFB08075	BOLT FLANGE, 1/4 X 3/4 G5	2
36	F129	TIGHTENER WASHER	1
37	YWFL12005	WASHER, FLAT, 3/8	3
38	31N51	SHIFTER SPACER WASHER	1
39	YWFL14005	WASHER, FLAT, 7/16 ZC	2
40	YWFL16005	WASHER, FLAT, 1/2	4
41	YWCU12005	WASHER, CUSTOM, .435	1
42	YNHX20005	NUT HEX, 5/8-11 ZC	2
43	YNL16005	NUT HEX, 1/2-13 LKTL ZC	1
44	YNFG08010	NUT FLANGE, 1/4 GF	2
45	YNFG12006	NUT FLANGE, 3/8 GF	3
46	YNL12005	NUT HEX, 3/8-16 LKTL ZC	6
47	YNHX10015	NUT HEX, 5/16-18 G2 ZC LH	1





# FIGURE 5 FRONT SHAFT, SHIELDS & COMPONENTS



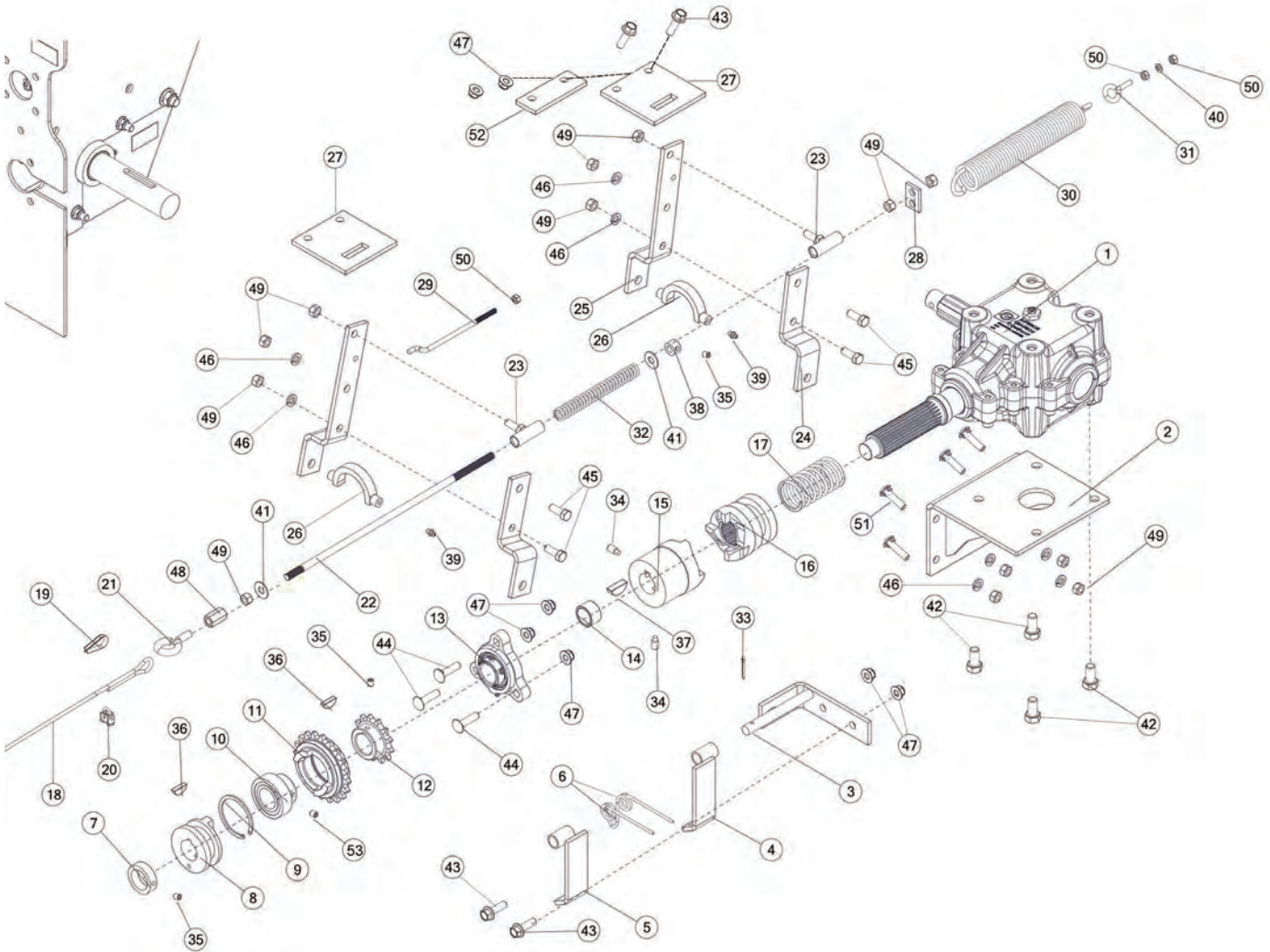


# FIGURE 5

## FRONT SHAFT, SHIELDS & COMPONENTS

REF #	PART #	DESCRIPTION	QTY
1	37N58	SIDE SHAFT	1
2	37N75	#1 SIDE SHAFT GUARD 27.50	1
3	37N76	#2 SIDE SHAFT GUARD 47.50	2
4	37N77	#3 SIDE SHAFT GUARD 50.25	1
5	86123B	SIDE SHIELD, W/DECALS REAR	1
6	86122B	SIDE SHIELD, W/DECALS FRONT	1
7	85034B	SIDE SHIELD W/DECALS	1
8	85014B	BEARING PLATE W/DECALS	1
9	86104	BEARING BRACKET	3
10	86291	SHIELD BRACKET	2
11	12N36	BEARING, PILLOW BLOCK 1-1/4	3
12	80662	BEARING, 1-1/4	1
13	C1MS01	SHEAR SPROCKET	1
14	45N71	SHEAR HUB	1
15	23N189	SNAP RING, EXTERNAL, 2.44	1
16	F92	FRONT SHIELD BRACKET	1
17	S122	LANYARD, CLIP PIN CABLE	1
18	YBPU08005	PIPE U-BOLT, 1/4 X 3/4	3
19	F33	SIDE CABLE GUIDE	3
20	5B9	WOODRUFF KEY, 3/8 X 1-1/4	1
21	YSKP12010	SET SCREW, SOCKT, KNURLED CUP PT, 3/8-16 X 1/2	1
22	YBHH12185	BOLT HEX, 3/8 X 4-1/2 G5	1
23	YBHH12025	BOLT HEX, 3/8-16 X 1-1/2 G5	6
24	YBFB12003	BOLT FLANGE, 3/8 X 1 G5	18
25	YBFB08075	BOLT FLANGE, 1/4 X 3/4 G5	10
26	YBFB12150	BOLT FLANGE, 3/8 X 1-1/2 G5	1
27	G89	ZERK, 1/4-28 STRAIGHT	1
28	YNL12005	NUT HEX, 3/8-16 ZC	3
29	YNFG12006	NUT FLANGE, 3/8 GF	21
30	YNRL12005	NUT HEX, 3/8-16 ZC	1
31	YNFG08010	NUT FLANGE, 1/4 GF	8
32	YNHX08005	NUT HEX, 1/4-20 ZC	6





REF #	PART #	DESCRIPTION	QTY
1	85385	GEARBOX ASSEMBLY	1
2	85205	GEARBOX BOTTOM BRACKET	1
3	31N36	TIGHTENER BRACKET	1
4	31N35	TIGHTENER BAR RH	1
5	31N34	TIGHTENER BAR LH	1
6	31N33	SPRING	1
7	F6	COLLAR FOR SHAFT	1
8	23N215	CLUTCH THROWOUT	1
9	3G19	SNAP RING, INTERNAL, 2.59 X 2.22	1
10	BFR525	BEARING W/LOCK COLLAR	1
11	23N216	HIGH SPEED DRIVE SPROCKET	1
12	10R11	SPROCKET, 13T	1
13	80662	BEARING, 1-1/4	1
14	D68	BUSHING, BRONZE, 1.25 OD X 1 ID X .75 LONG	1
15	23N241	CLUTCH	1



# FIGURE 6

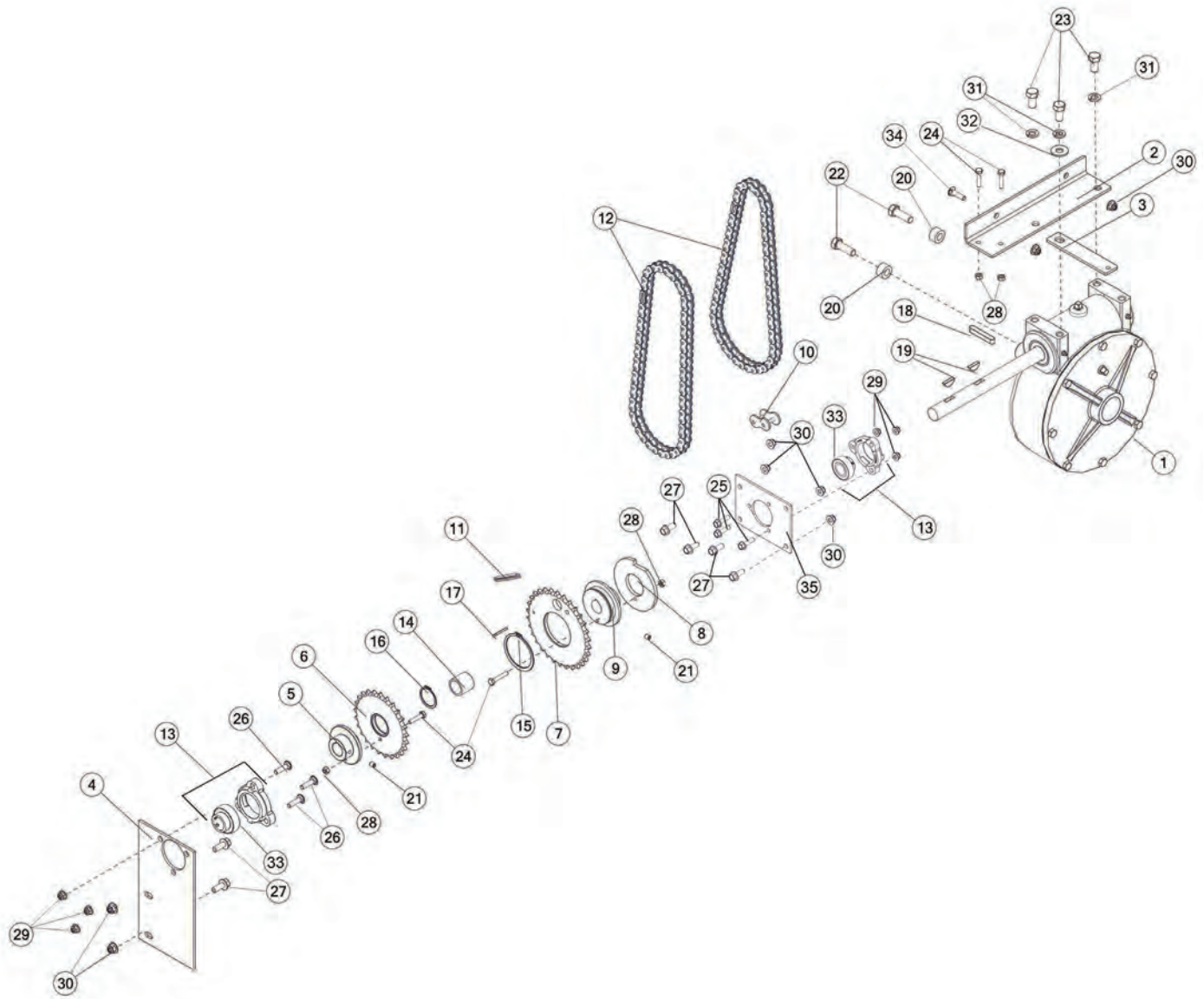
## BEATER GEARBOX & COMPONENTS

REF #	PART #	DESCRIPTION	QTY
16	23N90	CLUTCH W/SPLINE	1
17	23N89	COMPRESSION SPRING	1
18	37N53	CABLE, 3/16, 212	1
19	ES14	LOOP	1
20	BFR220	CABLE CLAMP, 3/16	1
21	YBTE12005	BOLT TURNED EYE, 3/8 X 1	1
22	23N205	CLUTCH ROD	1
23	23N206	CLUTCH ROD HOLDER	2
24	D57B	BEATER CLUTCH, SHORT	2
25	D57A	BEATER CLUTCH	2
26	23N208	YOKE W/ZERK	2
27	85006	SHIFTER BRACKET	2
28	23N207	SHIFTING SPRING BRACKET	1
29	23N210	SHIFTING ROD	11
30	K103	SPRING, ROPE RETURN SP-10	1
31	YBTE08005	BOLT TURNED EYE, 1/4 X 1	1
32	23N211	SPRING	1
33	YPCT04005	COTTER PIN, 1/8 X 1	1
34	YSFD12005	SET SCREW, SOCKET, FULL DOG PT, 3/8-16 X 3/4	2
35	YSKP10010	SET SCREW, SCKET, KNURLED CUP, 5/16 - 18 X 3/8	3
36	5B10	WOODRUFF KEY, 1/4 X 1	2
37	5B9	WOODRUFF KEY, 3/8 X 1-1/4	1
38	23N209	ROD COLLAR	1
39	G89	STRAIGHT ZERK, 1/4-28	2
40	YWLO08005	WASHER, LOCK, 1/4 ZC	1
41	YWFL12005	WASHER, FLAT, 3/8	2
42	YBHH16010	BOLT HEX, 1/2-13 X 1 G5	4
43	YBFB12125	BOLT FLANGE, 3/8 X 1-1/4 G5	6
44	YBCR12015	BOLT CARRIAGE, 3/8-16 X 1-1/2 G5 ZC	3
45	YBHH12010	BOLT HEX, 3/8 X 1 G5	4
46	YWLO12005	WASHER, LOCK, 3/8	8
47	YNFG12006	NUT FLANGE, 3/8 GF	9
48	YNCO12005	NUT HEX, COUPLING, 3/8-16 X 1-1/8 ZC	1
49	YNHX12005	NUT HEX, 3/8-16 ZC	12
50	YNHX08005	NUT HEX, 1/4-20 ZC	3
51	YBCR12010	BOLT CARRIAGE, 3/8 X 1 G5	4
52	86707	SHIFTER BRACKET SPACER	1
53	YSKP10020	SETSCRW, SCKT, KN CP, 5/16-24 X 3/8 W/NYL PTCH	1





# FIGURE 7 APRON GEARBOX & COMPONENTS





# FIGURE 7

## APRON GEARBOX & COMPONENTS

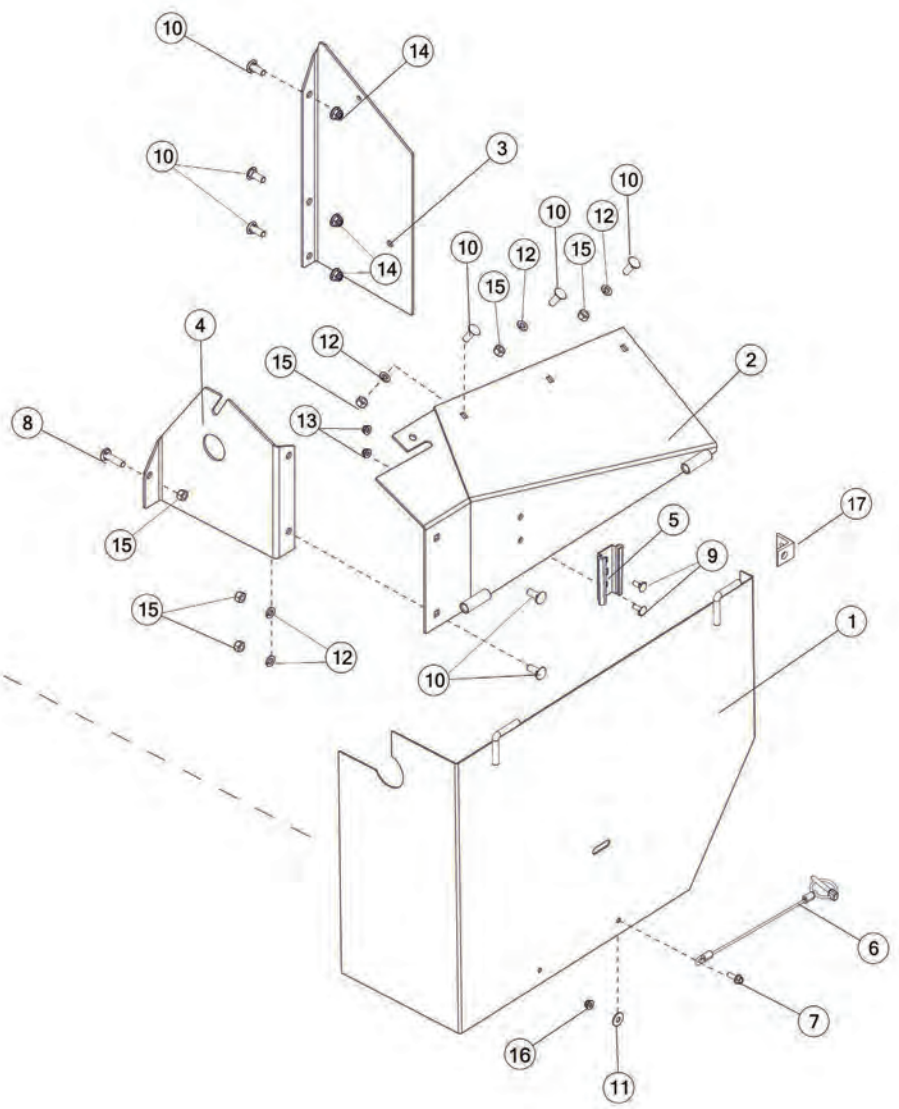
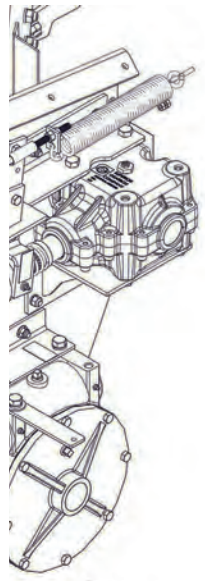
REF #	PART #	DESCRIPTION	QTY
1	G122	WORM GEARBOX	1
2	23N95	GEARBOX HOLDER	1
3	86101	SHIELD BRACKET	1
4	23N230	BEARING PANEL	1
5	56025	SHEAR HUB	1
6	56036	SPROCKET BUSHING ASSY.	1
7	23N226	SPROCKET W/BUSHING, 50T A 30T	1
8	23N222	SHEAR PLATE	1
9	23N224	LOW SPEED SHEAR HUB	1
10	X61	CONNECTOR LINK	2
11	23N229	DOG SPRING	1
12	23N93	ROLLER CHAIN, #50, 60P	2
13	80530	PILLOW BLOCK BEARING, 1	2
14	56029	SPACER	1
15	23N227	SNAP RING	1
16	56024	STANDARD EXTERNAL SNAP RING, 1-1/2	1
17	YPCT04005	COTTER PIN, 1/8 X 1	1
18	S138	SQUARE KEY, 3/8 X 2-3/8	1
19	5B10	WOODRUFF KEY, 1/4 X 1	2
20	23N94	WORM BOX SPACER	2
21	YSKP10010	SET SCREW, SCKT, KNURLED CUP, 5/16 - 18 X 3/8	2
22	YBHH16030	BOLT HEX, 1/2-13 X 1-1/2 G5	2
23	YBHH16010	BOLT HEX, 1/2-13 X 1 G5	3
24	YBHH08035	BOLT HEX, 1/4-20 X 1-1/4 G5	4
25	YBFB10125	BOLT FLANGE, 5/16 X 1-1/4 G5	3
26	YBCR10020	BOLT CARRIAGE, 5/16-18 X 1-1/4 G5 ZC	3
27	YBFB12003	BOLT FLANGE, 3/8 X 1 G5	6
28	YNTL08005	NUT HEX, 1/4-20 LKTL ZC	4
29	YNFG10005	NUT FLANGE, 5/16 GF	6
30	YNFG12006	NUT FLANGE, 3/8 GF	8
31	YWLO16005	WASHER, LOCK, 1/2	3
32	YWFL16005	WASHER, FLAT, 1/2	1
33	23N221	BEARING W/SET SCREWS, 1	2
34	YBCR12010	BOLT CARRIAGE, 3/8 X 1 G5	2
35	96463	COVER PLATE	1





# FIGURE 8

## GEARBOX SHIELD & COMPONENTS







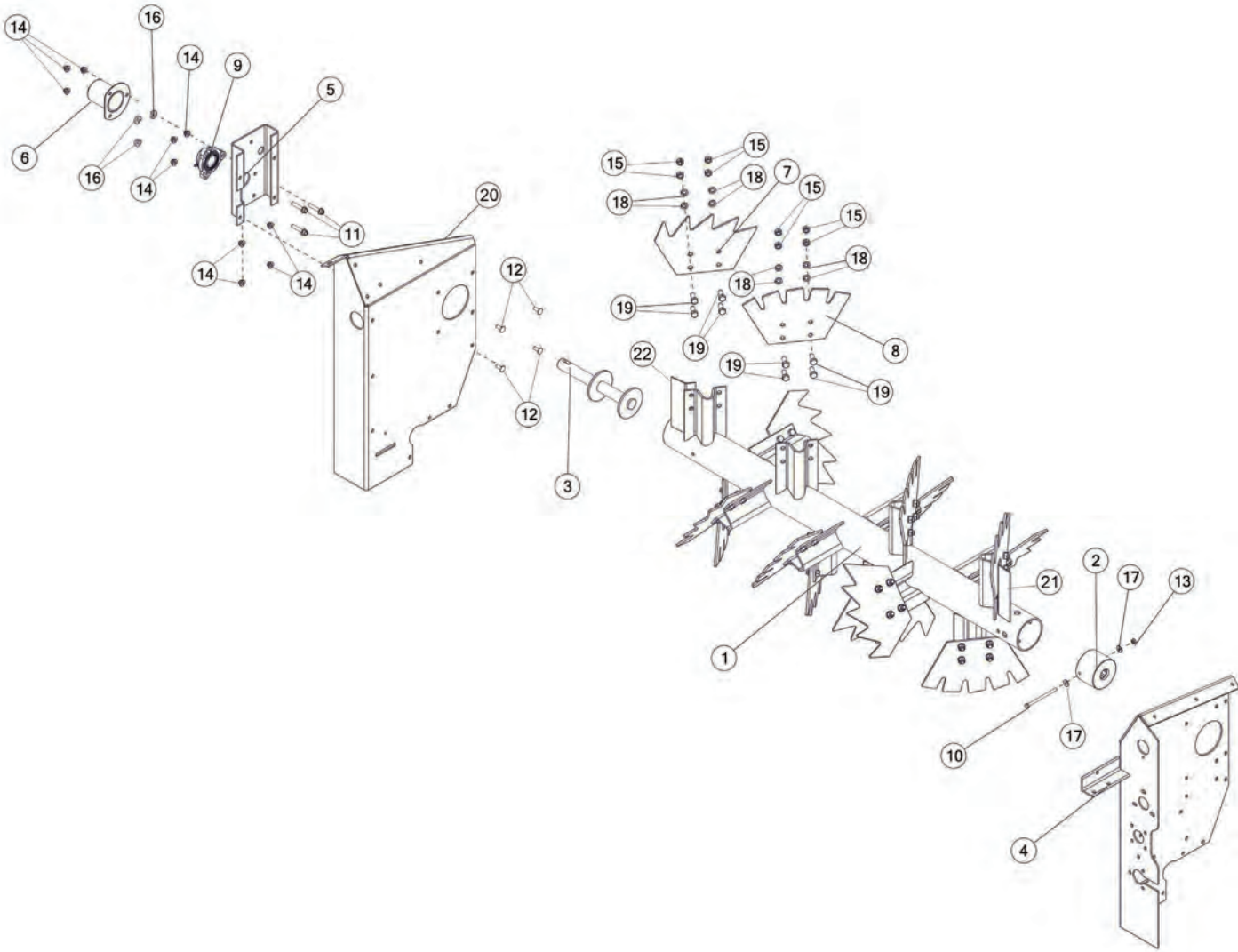
**FIGURE 8**  
**GEARBOX SHIELD & COMPONENTS**

<b>REF #</b>	<b>PART #</b>	<b>DESCRIPTION</b>	<b>QTY</b>
1	86103B	GEARBOX SHIELD W/DECALS	1
2	86114	TOP BACK SHIELD	1
3	86109B	BACK SHIELD W/DECALS	1
4	86108	SHIELD	1
5	F97	SMV HOLDER	1
6	S122	LANYARD, CLIP PIN CABLE	1
7	YBFB08075	BOLT FLANGE, 1/4 X 3/4 G5	1
8	YBCR12015	BOLT CARRIAGE, 3/8-16 X 1-1/2 G5 ZC	2
9	YBCR10030	BOLT CARRIAGE, 5/16 X 3/4 G5	2
10	YBCR12010	BOLT CARRIAGE, 3/8-16 X 1 G5 ZC	9
11	YWFL10005	WASHER, FLAT, 5/16	1
12	YWLO12005	WASHER, LOCK, 3/8	6
13	YNFG10005	NUT FLANGE, 5/16	2
14	YNFG12006	NUT FLANGE, 3/8 GF	3
15	YNHX12005	NUT HEX, 3/8-16 ZC	6
16	YNFG08010	NUT HEX, 3/8	1
17	F92	FRONT SHIELD BRACKET	1






# FIGURE 9 BOTTOM BEATER & COMPONENTS

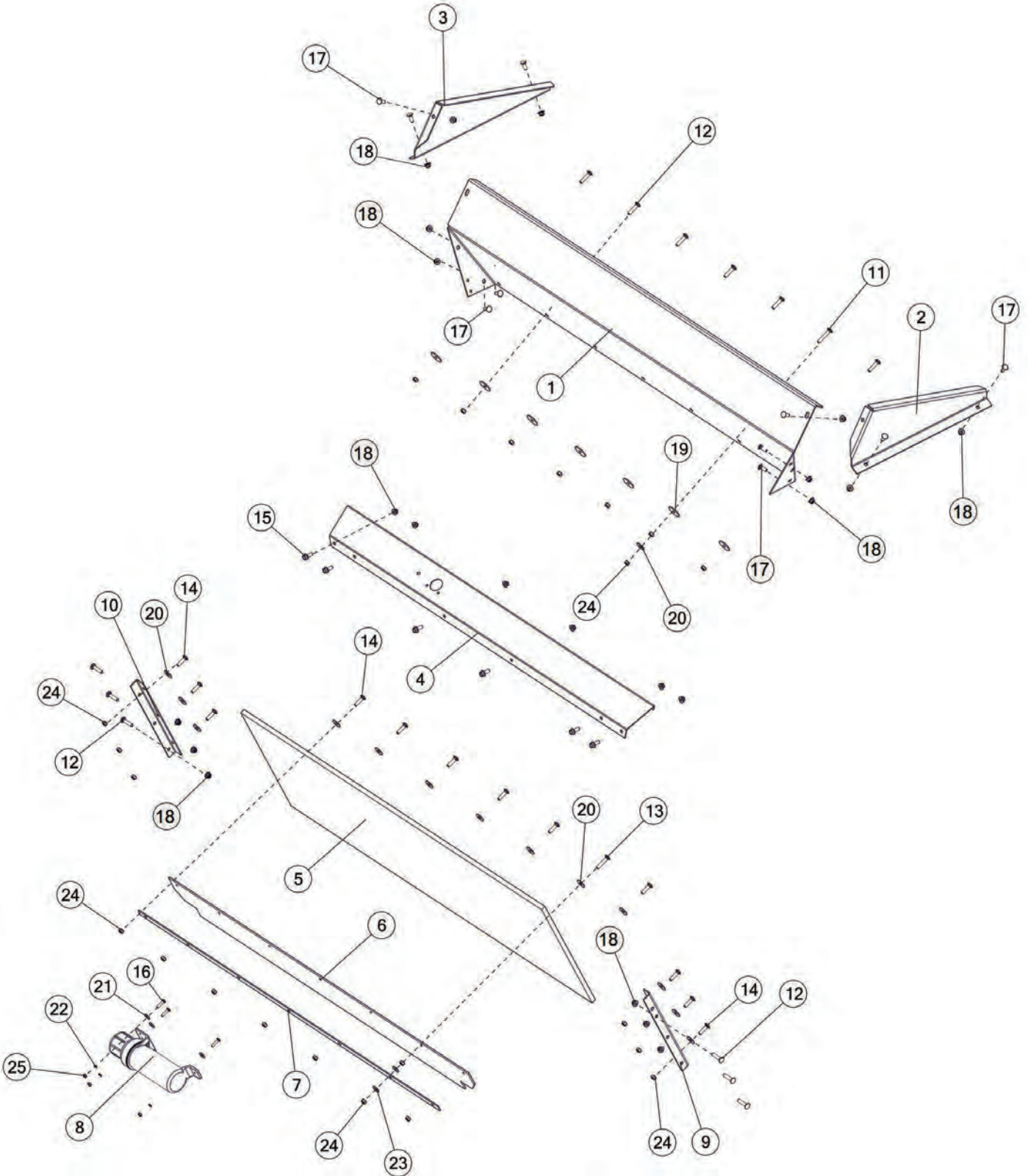




# FIGURE 9 BOTTOM BEATER & COMPONENTS

REF #	PART #	DESCRIPTION	QTY
1	81161	BOTTOM BEATER	1
2	23N2	SPLINED BEATER INSERT	1
3	80791	BEATER STUB SHAFT	1
4	86164	MAIN PANEL LH	1
5	80794B	SHAFT SUPPORT W/DECALS	1
6	82910	BEARING FLANGE GUARD	1
7	23N277	BEATER BLADE	8
8	23N276	BEATER BLADE	6
9	80725	BEATER BEARING	1
10	YBHH10130	BOLT HEX, 5/16 X 5 G5	1
11	YBHH12080	BOLT HEX, 3/8-16 X 2 G5 ZC	3
12	YBCR12010	BOLT CARRIAGE, 3/8-16 X 1 G5 ZC	4
13	YNRL10005	NUT HEX, 5/16-18 LKRS ZC	1
14	YNFG12006	NUT FLANGE, 3/8 GF	10
15	YNL16005	NUT HEX, 1/2-13 LKTL ZC	56
16	82944	BEARING COVER SPACER	3
17	YWFL10005	WASHER, FLAT, 5/16	2
18	YWLO16005	WASHER, LOCK, 1/2	56
19	YBHH16045	BOLT HEX, 1/2-13 X 1-1/4 G5	56
20	37N4B	MAIN PANEL W/DECALS RH	1
21	23N7	WIPER LH	1
22	23N8	WIPER RH	1





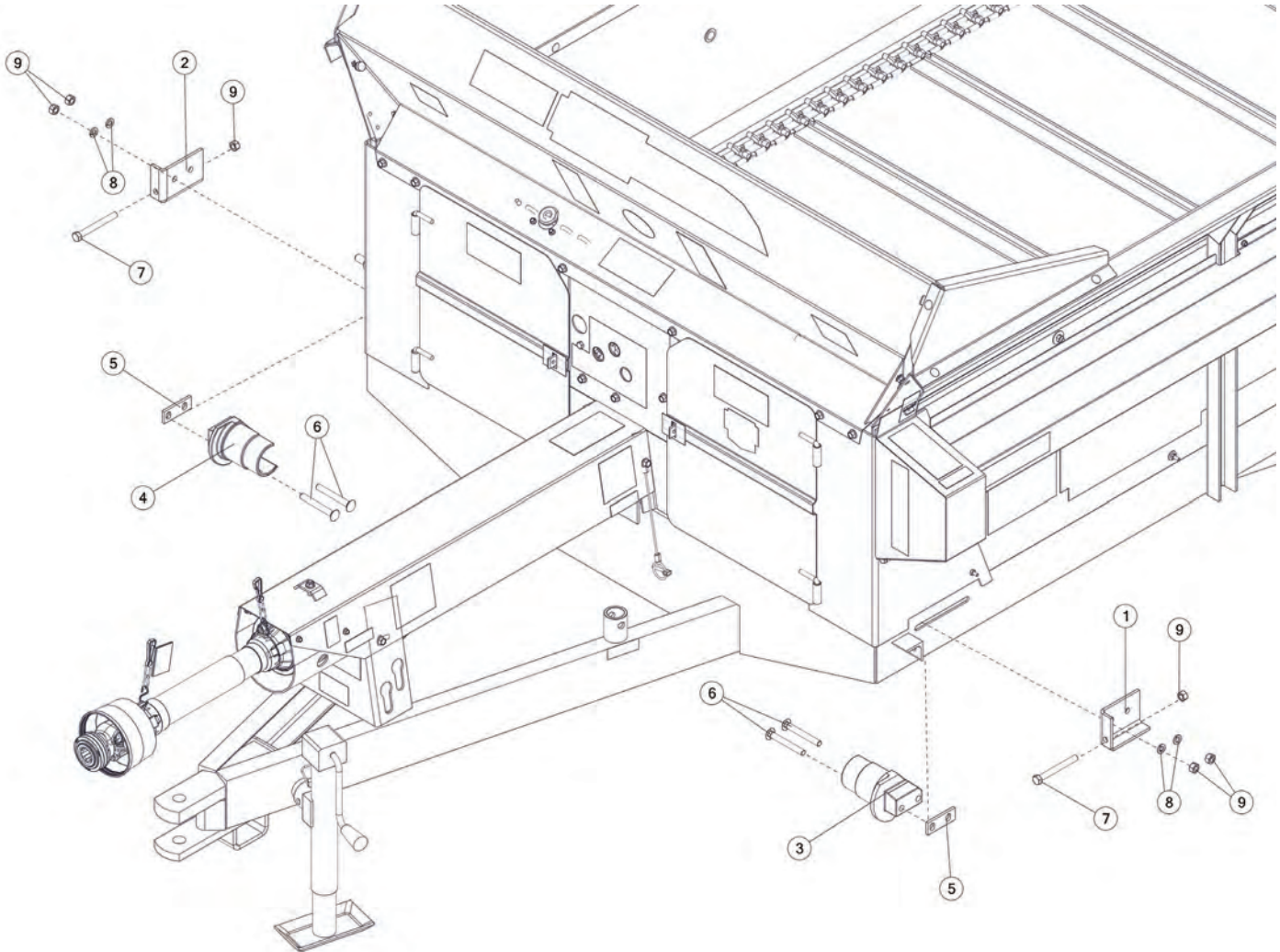


# FIGURE 10

## SPLASH GUARD & COMPONENTS

REF #	PART #	DESCRIPTION	QTY
1	23N34B	FRONT FLARE W/DECALS	1
2	23N42	SPLASH GUARD LH	1
3	23N43	SPLASH GUARD RH	1
4	23N176B	FRONT FLARE SUPPORT W/DECALS	1
5	37N65A	FRONT PANEL W/DECALS	1
6	23N41	FRONT PANEL RUBBER	1
7	23N40	STRAP FOR RUBBER	1
8	S522	MANUAL HOLDER	1
9	37N13	GATE ANGLE LH	1
10	37N12	GATE ANGLE RH	1
11	YBCR12045	BOLT CARRIAGE, 3/8-16 X 2-1/4 G5 ZC	1
12	YBCR12030	BOLT CARRIAGE, 3/8-16 X 1-3/4 G5 ZC	12
13	YBCR12035	BOLT CARRIAGE, 3/8-16 X 2 G5 ZC	1
14	YBCR12015	BOLT CARRIAGE, 3/8-16 X 1-1/2 G5 ZC	12
15	YBFB12003	BOLT FLANGE, 3/8 X 1 G5	6
16	YBCR08015	BOLT CARRIAGE, 1/4-20 X 1-1/4 G5 ZC	3
17	YBCR12010	BOLT CARRIAGE, 3/8-16 X 1 G5 ZC	10
18	YNFG12006	NUT FLANGE, 3/8 GF	22
19	YWCU14005	WASHER, CUSTOM, FLAT, 7/16D X 1-3/4OD X .12 ZC	7
20	YWFL14005	WASHER, FLAT, 7/16 ZC	8
21	YWFL10005	WASHER, FLAT, 5/16	3
22	YWLO08005	WASHER, LOCK, 1/4 ZC	3
23	YWFL12005	WASHER, FLAT, 3/8	2
24	YNHX12005	NUT HEX, 3/8-16 ZC	23
25	YNHX08005	NUT HEX, 1/4-20 ZC	3



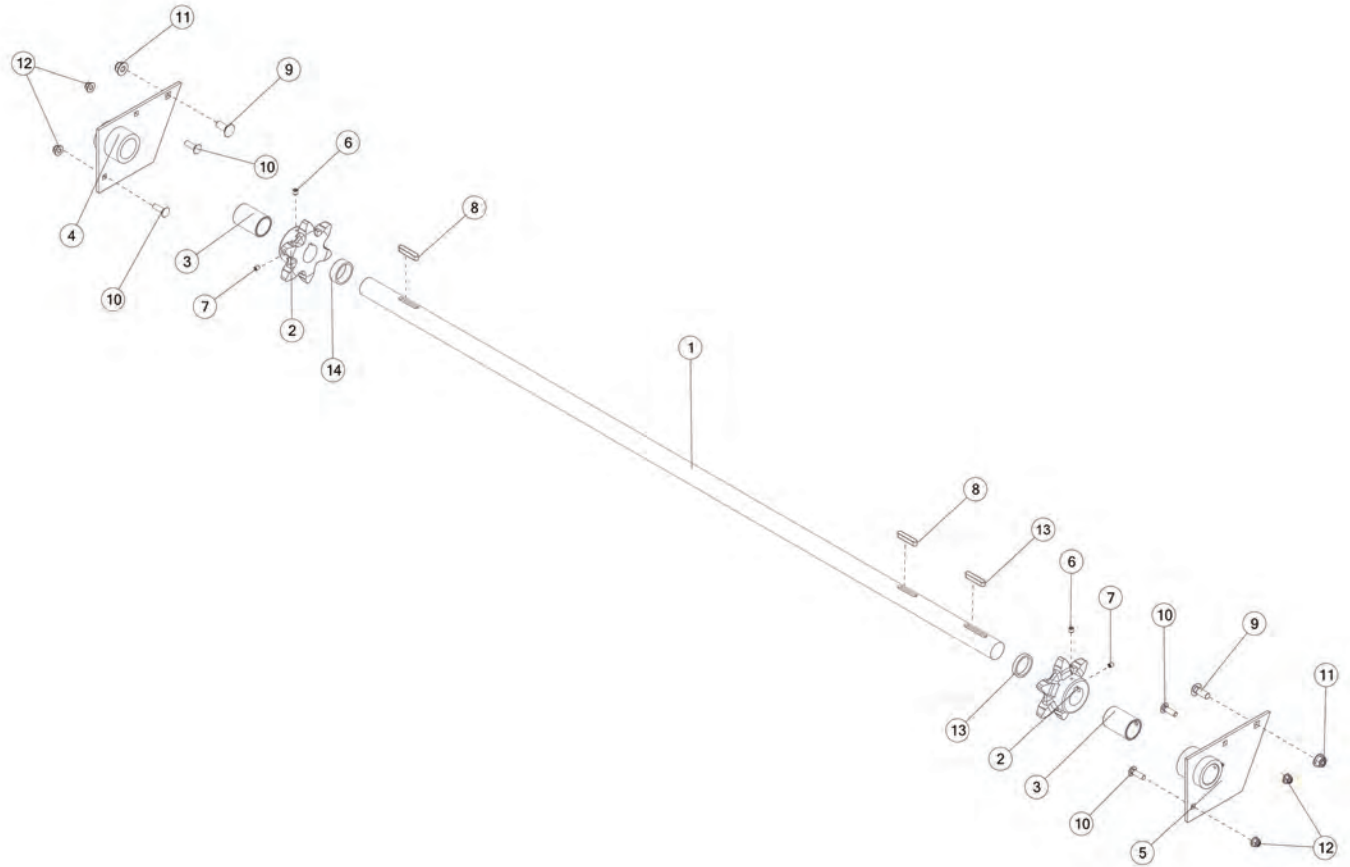


REF #	PART #	DESCRIPTION	QTY
1	A29	FRAME WASHER LH	1
2	A30	FRAME WASHER RH	1
3	23N127	T-ROD SLIDE LH	1
4	23N128	T-ROD SLIDE RH	1
5	23N126	APRON CHAIN TIGHTENER	2
6	YBCR16045	BOLT CARRIAGE, 1/2-13 X 4 G5 ZC	4
7	YBHH16145	BOLT HEX, 1/2 X 4-1/2 G5 FULL THREAD	2
8	YWLO16005	WASHER, LOCK, 1/2	4
9	YNHX16005	NUT HEX, 1/2-13 ZC	6



# FIGURE 12

## DRIVE SHAFT & COMPONENTS

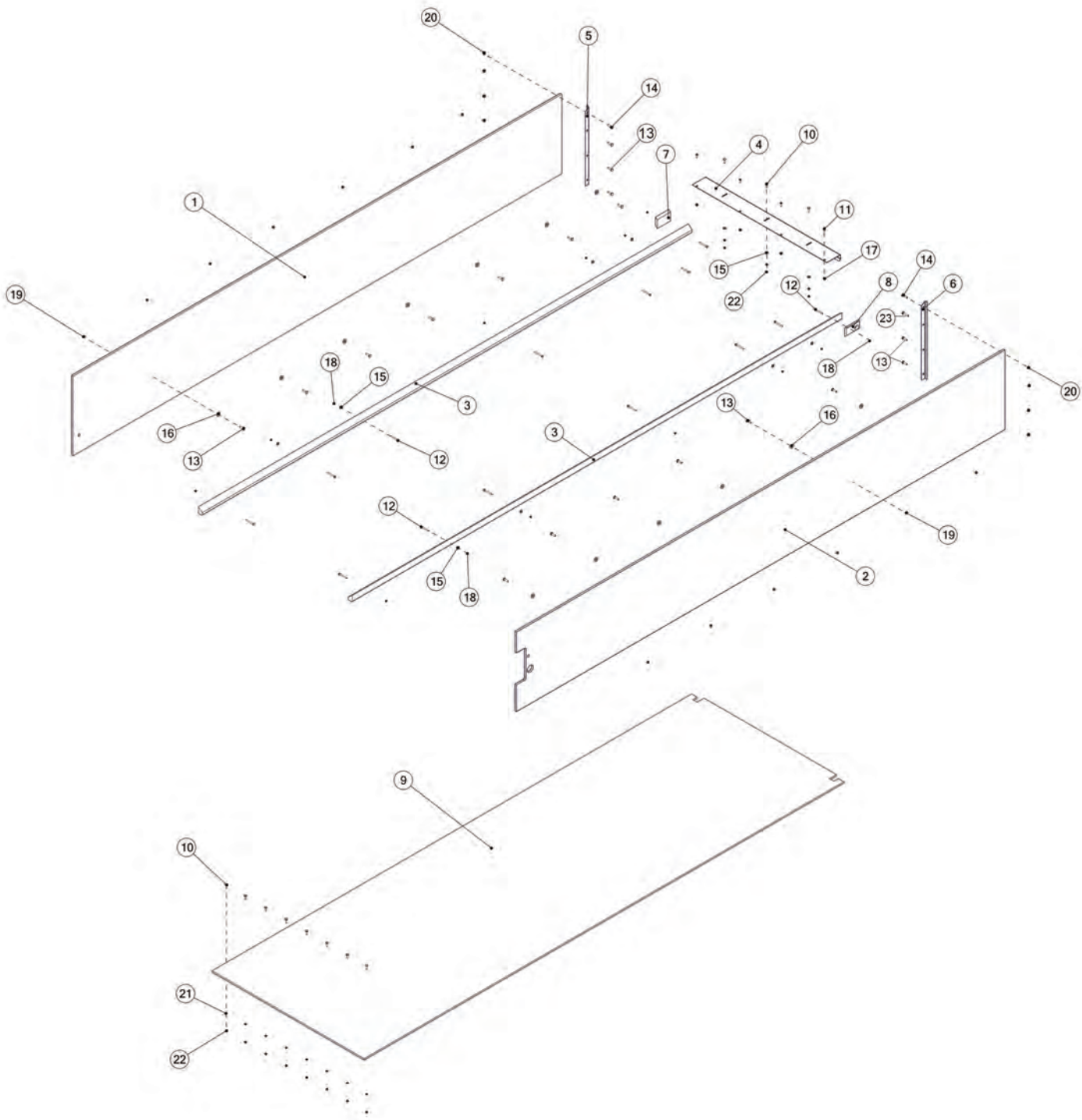


REF #	PART #	DESCRIPTION	QTY
1	27N19	DRIVESHAFT	1
2	23N122	DRIVE SPROCKET, 6T	2
3	23N17	BUSHING, DRIVE SHAFT	2
4	23N19	DRIVE SHAFT BRACKET W/BUSHING RH	1
5	37N78	DRIVE SHAFT BRACKET W/BUSHING LH	1
6	YSKP12025	SET SCREW, SCKT, KNURLED CUP PT, 3/8-16 X 3/8	2
7	YSKP10010	SET SCREW, SCKT, KNURLED CUP PT, 5/16-18 X 3/8	2
8	PB136	SQUARE KEY, 3/8 X 2	2
9	YBCR16015	BOLT CARRIAGE, 1/2-13 X 1-1/4 G5 ZC	2
10	YBCR12020	BOLT CARRIAGE, 3/8-16 X 1-1/4 G5 ZC	4
11	YNFG16003	NUT FLANGE, 1/2 GF	2
12	YNFG12006	NUT FLANGE, 3/8 GF	4
13	S138	SQUARE KEY, 3/8 X 2-3/8	1





# FIGURE 13 FLOOR, SIDE PANELS & COMPONENTS



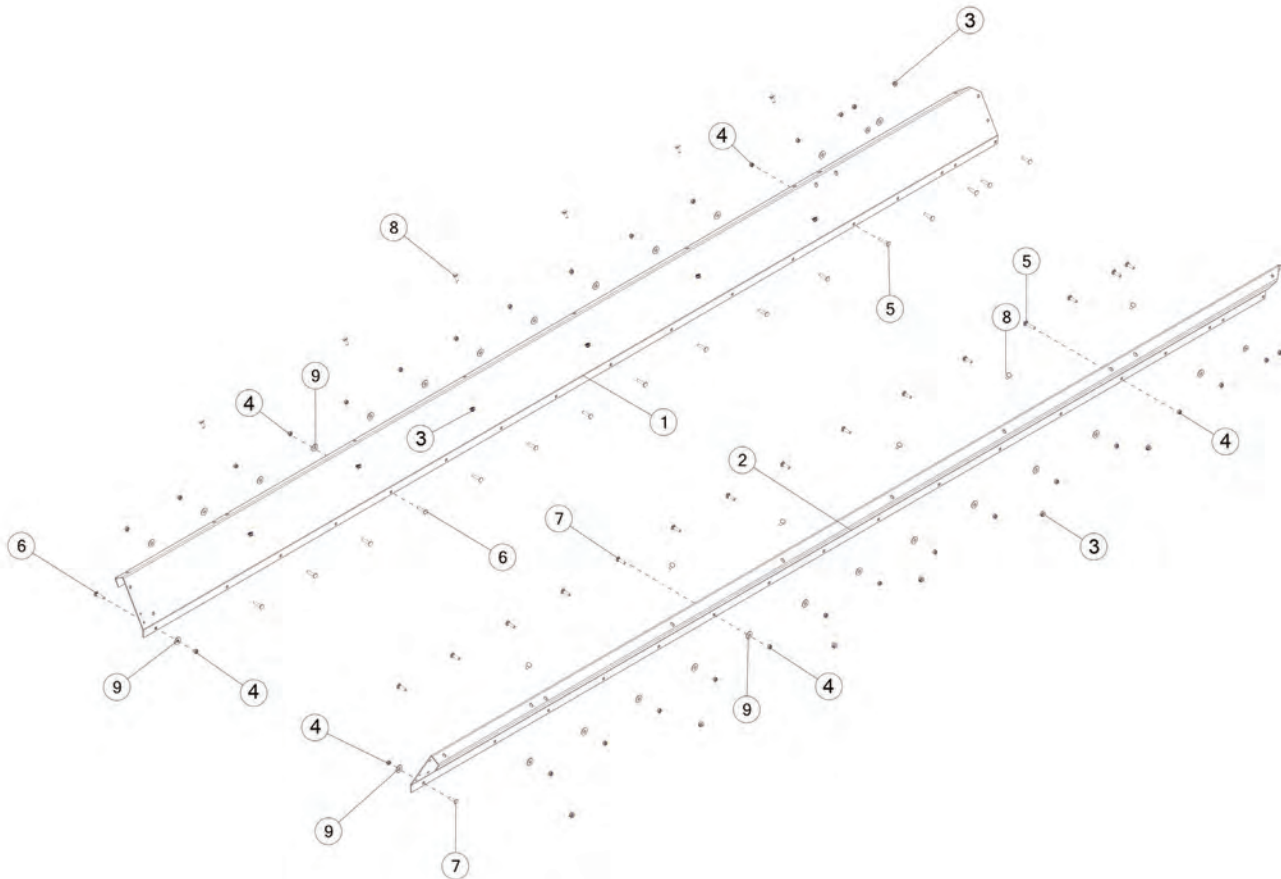




**FIGURE 13**  
**FLOOR, SIDE PANELS & COMPONENTS**

REF #	PART #	DESCRIPTION	QTY
1	37N67AB	FRP PANEL, SIDE RH, W/DECALS	1
2	37N68AB	FRP PANEL, SIDE LH, W/DECALS	1
3	37N43	APRON CHAIN SIDE SPACER	2
4	37N82	DRIVE SHAFT SHIELD	1
5	37N1	SIDE POLY HOLDDOWN, RH	1
6	37N2	SIDE POLY HOLDDOWN, LH	1
7	75562	SPACER BLOCK WITHOUT HOLE, RH	1
8	75563	SPACER BLOCK WITH HOLE, LH	1
9	37N81	SOLID POLY FLOOR	1
10	YBCR10020	BOLT CARRIAGE, 5/16-18 X 1-1/4 G5 ZC	11
11	YSFM10005	FLAT HEAD MACH, SCREW, 5/16 X 1	4
12	YBCR08050	BOLT CARRIAGE, 1/4-20 X 3 G5 ZC	14
13	YBCR12015	BOLT CARRIAGE, 3/8-16 X 1-1/2 G5 ZC	14
14	YBCR12030	BOLT CARRIAGE, 3/8-16 X 1-3/4 G5 ZC	2
15	YWFL10005	WASHER, FLAT, 5/16	11
16	YWFL14005	WASHER, FLAT, 7/16 ZC	12
17	YNFG10005	NUT FLANGE, 5/16 GF	4
18	YNHX08005	NUT HEX, 1/4-20 ZC	14
19	YNHX12005	NUT HEX, 3/8-16 ZC	12
20	YNFG12006	NUT FLANGE, 3/8 GF	8
21	YWLO10005	WASHER, LOCK, 5/16	8
22	YNHX10005	NUT HEX, 5/16-18 ZC	14
23	YBCR12035	BOLT CARRIAGE, 3/8 X 2 G5	1

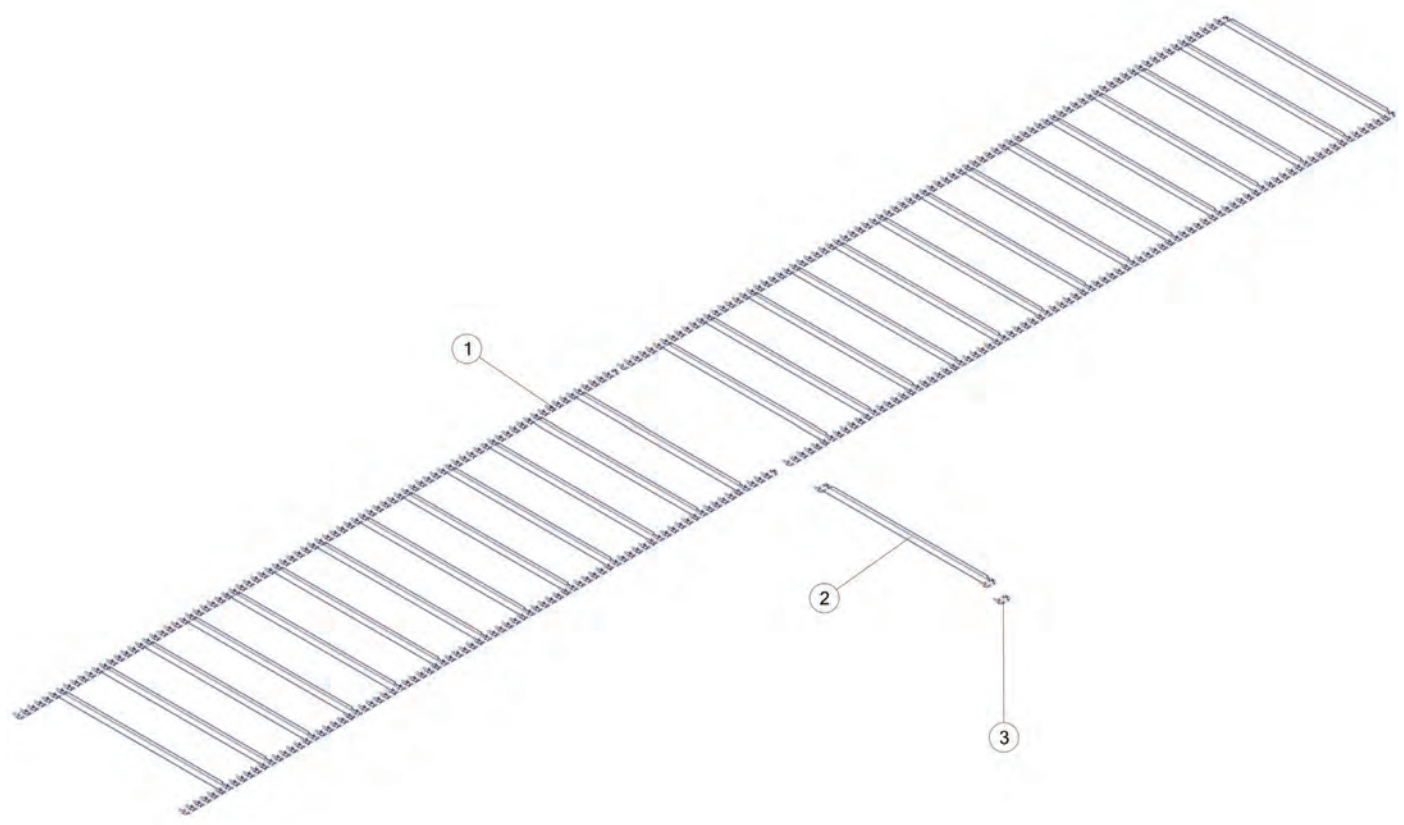




REF #	PART #	DESCRIPTION	QTY
1	43N3	SIDE FLARE RH	1
2	43N4	SIDE FLARE LH	1
3	YNFG12006	NUT FLANGE, 3/8 GF	12
4	YNHX12005	NUT HEX, 3/8-16 NAA ZC	32
5	YBCR12035	BOLT CARRIAGE, 3/8-16 X 2 G5 ZC	2
6	YBCR12030	BOLT CARRIAGE, 3/8-16 X 1-3/4 G5 ZC	16
7	YBCR12015	BOLT CARRIAGE, 3/8-16 X 1-1/2 G5 ZC	16
8	YBCR12010	BOLT CARRIAGE, 3/8-16 X 1 G5 ZC	12
9	YWFL14005	WASHER, FLAT, 7/16 ZC	32



**FIGURE 15**  
**APRON CHAIN**

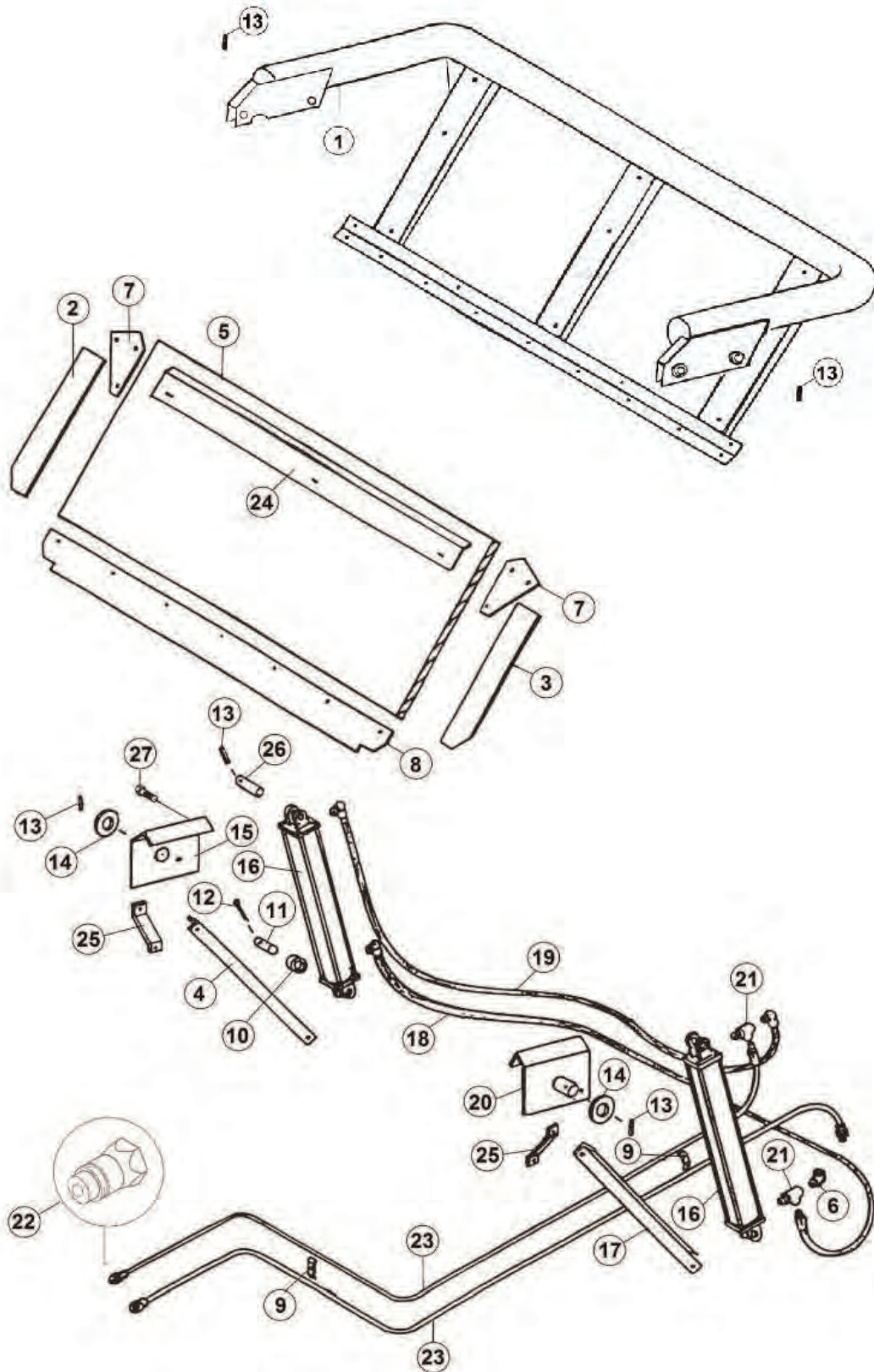


REF #	PART #	DESCRIPTION	QTY
1	37N42	APRON CHAIN 28 SLATS, 274 LINKS	1
2	23N124	SLAT W/ATTACHMENT LINKS	28
3	S55	T-ROD STANDARD LINK	274





**FIGURE 16**  
**HYDRAULIC ENDGATE ASSEMBLY**



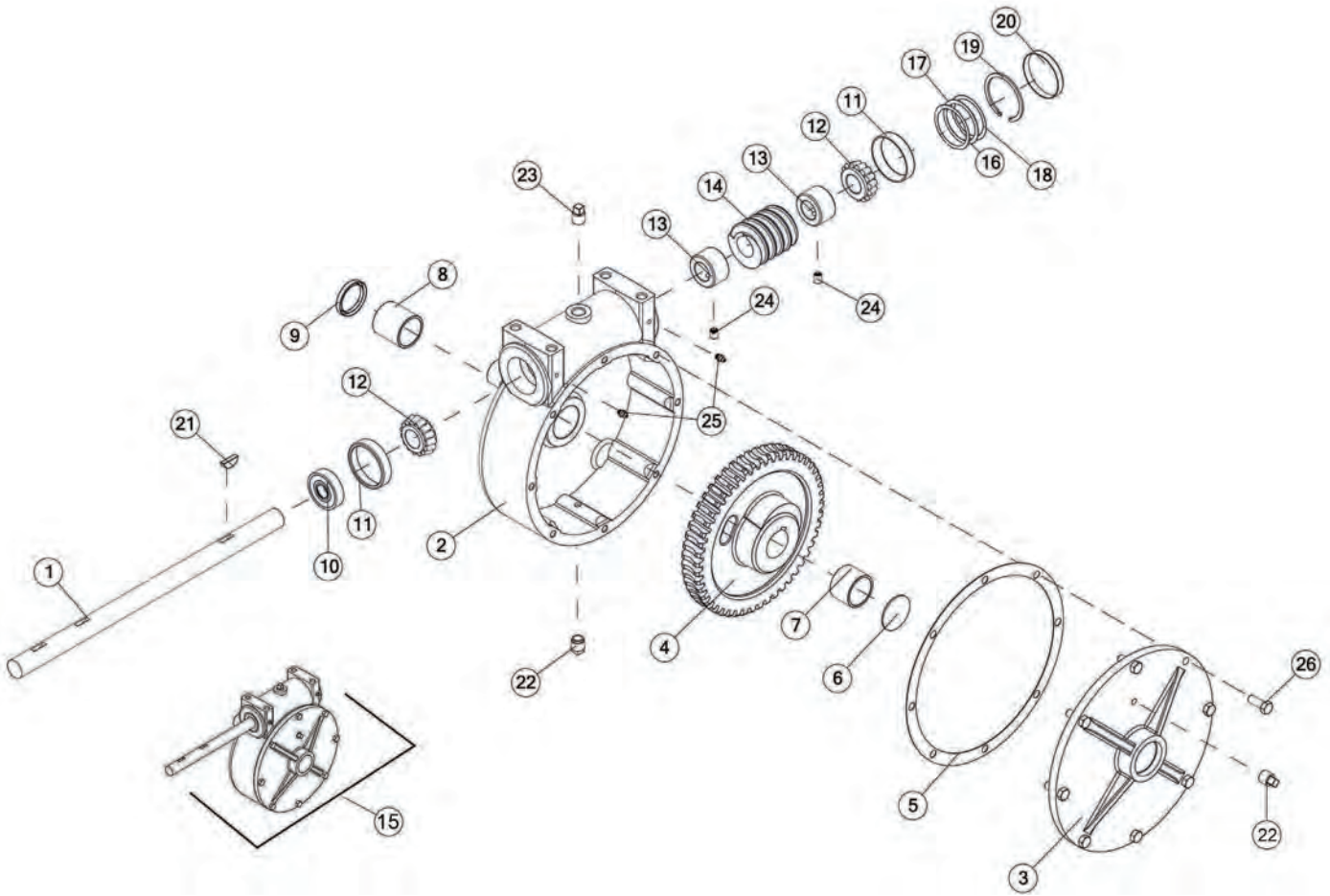


# FIGURE 16

## HYDRAULIC ENDGATE ASSEMBLY

REF #	PART #	DESCRIPTION	QTY
1	37N34	TAILGATE FRAME	1
*	YBCR12010	BOLT CARRIAGE, 3/8 X 1 G5	2
*	YBCR12095	BOLT CARRIAGE, 3/8 X 4 G5	9
*	YBCR12020	BOLT CARRIAGE, 3/8 X 1-1/4 G5	7
*	YBCR12015	BOLT CARRIAGE, 3/8 X 1-1/2 G5	16
*	YWFL12005	WASHER, FLAT, 3/8	32
*	YWFL16005	WASHER, FLAT, 3/8	17
*	YNHX12005	NUT HEX, 3/8	34
*	37N88	TAILGATE RUBBER HOLDER	2
2	37N35	SIDE RUBBER RH	1
3	37N36	SIDE RUBBER LH	1
4	37N62	TAILGATE BRACKET BRACE RH	1
5	37N69A	TAILGATE PLYWOOD W/FIBERGLASS	1
6	58127	FITTING, 6 C6X-S	1
7	23N104	TAILGATE CORNER	2
8	23N105	BOTTOM RUBBER	1
9	23N67	FRONT HOSE BRACKET	2
10	K132	SPACER, 3/8	1
11	23N107	CYLINDER PIN	1
12	YPCT07005	COTTER PIN, 7/32 X 2	1
13	YPEX10015	EXPANSION PIN, 5/16 X 1-3/4	4
14	23N109	TAILGATE WASHER	2
15	23N110	TAILGATE MOUNT RH	1
16	69969	HYD CYL 2 X 16 W/PINS 90 DEGREE TO PORTS	2
17	37N59	TAILGATE BRACE LH	1
18	93199	HYDRAULIC HOSE 6 X 110	1
19	93200	HYDRAULIC HOSE 6 X 150	1
20	23N115	TAILGATE MOUNT LH	1
21	84276	FITING TEE, 6JIC, 6ORB, 6JIC	2
22	67148	QUICK COUPLER	2
23	93205	HYD HOSE, 6 X 328	2
24	23N163	TAILGATE POLY HOLD DOWN	1
25	23N232	TAILGATE BRACKET BRACE	2
26	23N301	CYLINDER PIN	1
27	YBCR16021	BOLT CARRIAGE, 1/2 X 1-3/4	1







# FIGURE 17

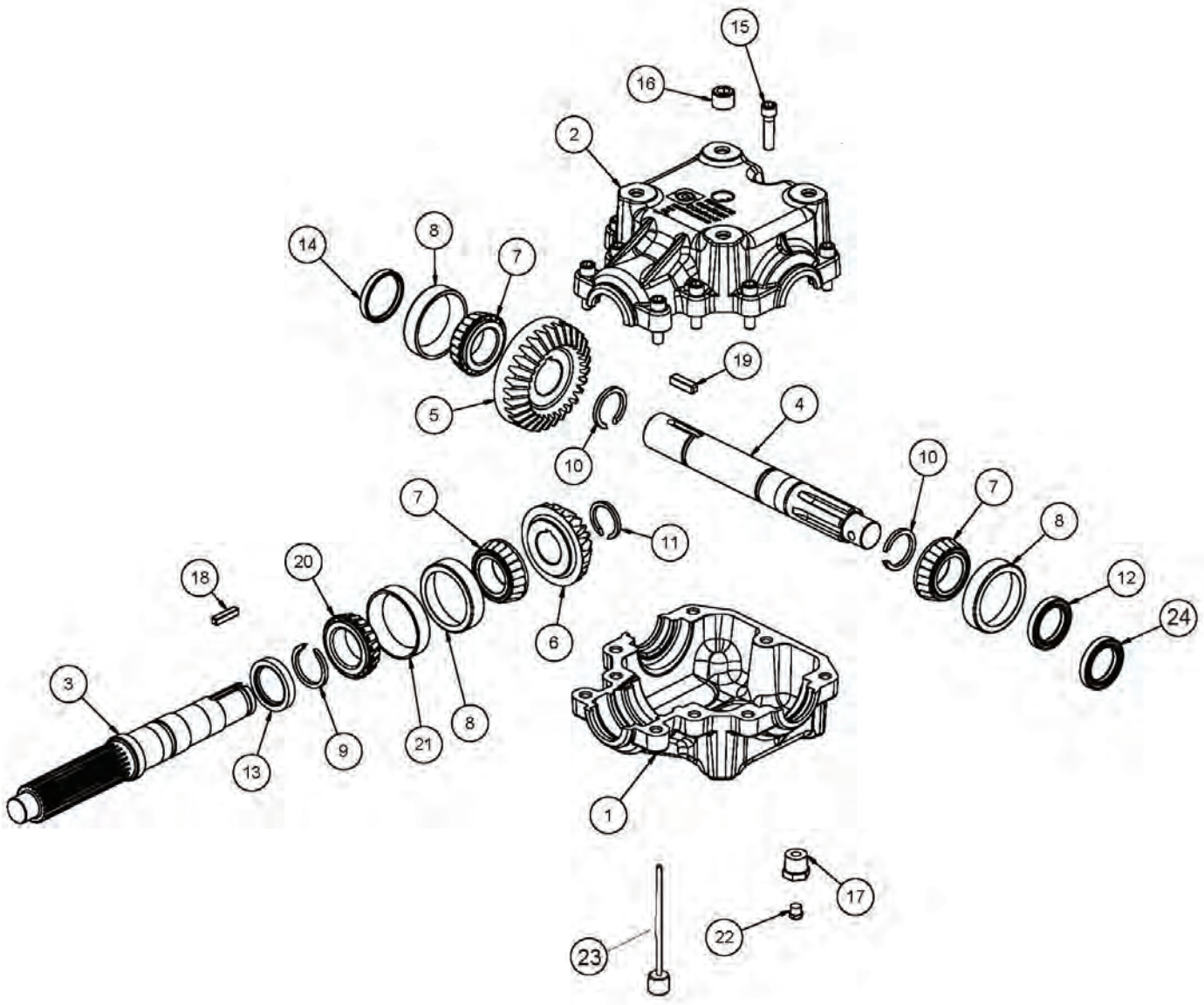
## APRON GEARBOX

REF #	PART #	DESCRIPTION	QTY
1	23N236	WORM GEAR SHAFT	1
2	G114	GEARBOX HOUSING	1
3	G116	WORM GEARBOX COVER	1
4	G77	WORM GEAR ASSEMBLY	1
5	G88	GASKET	1
6	G117	FROST PLUG, 1-7/8	1
7	X75	BUSHING	1
8	X8	BUSHING, 1-3/4 OD X 1-1/2 ID X 1-3/4 LONG	1
9	17G133	SEAL	1
10	G123	OIL SEAL	1
11	3G18	BEARING RACE, 2.44	2
12	3G7	TAPER BEARING	2
13	X9	SPACER	2
14	G76	WORM	1
15	G122	WORM GEARBOX	1
16	59249	SHIM STOCK, .005	1
17	59250	SHIM STOCK, .02	1
18	58748	SHIM STOCK, .007	1
19	3G19	SNAP RING, INTERNAL	1
20	G90	CAP	1
21	5B10	WOODRUFF KEY, 1/4 X 1	1
22	G65	PLUG PIPE, 3/8 NPT	2
23	3G20	PLASTIC PIPE PLUG, 3/8	1
24	YSKP12010	SCREW SOCKET HEAD, 3/8 X 1/2	2
25	G89	STRAIGHT ZERK, 1/4	2
26	YBHH12010	BOLT HEX, 3/8 X 1 G5	8





**FIGURE 18**  
**BEATER GEARBOX**



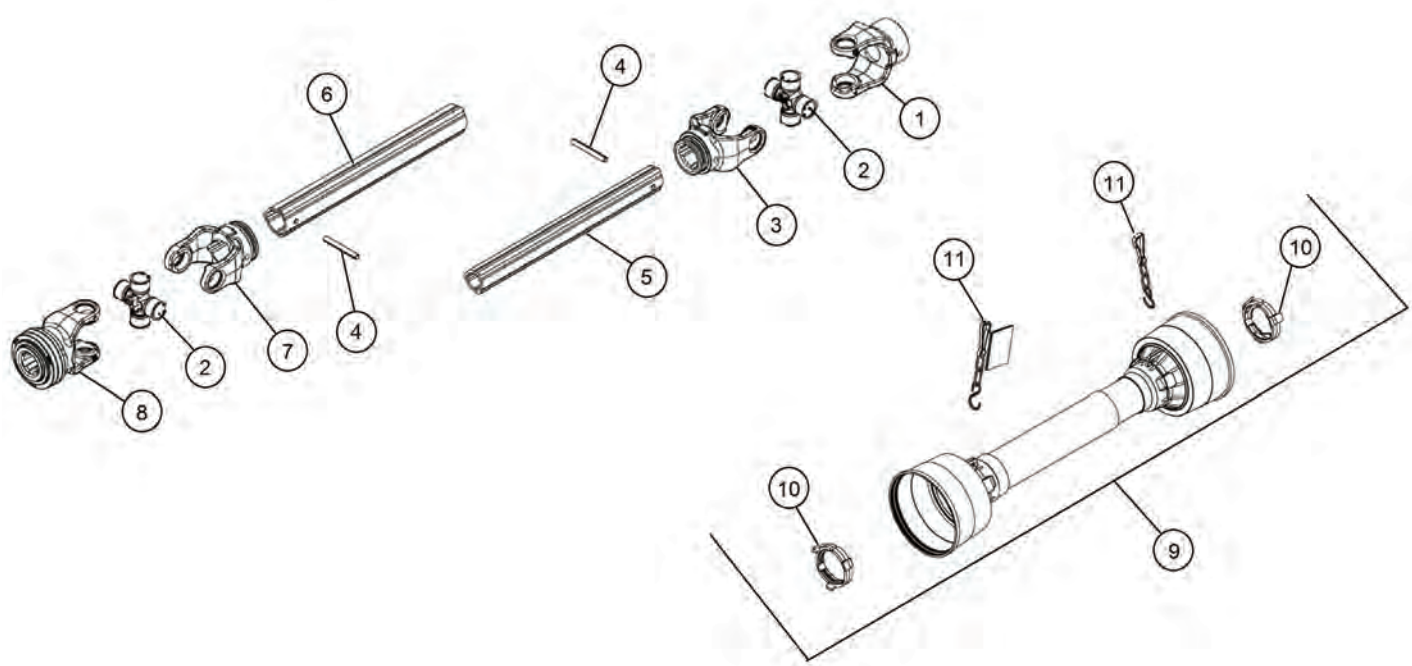


REF #	PART #	DESCRIPTION	QTY
1	87116	BOTTOM HOUSING	1
2	86140	TOP HOUSING	1
3	86141	SHAFT	1
4	86142	SHAFT	1
5	86143	GEAR	1
6	86144	GEAR	1
7	86145	BEARING CONE	3
8	86146	BEARING CUP	3
9	86147	RETAINING RING	1
10	86148	RETAINING RING	2
11	86149	RETAINING RING	1
12	18VB26	SEAL	1
13	18VB34	SEAL	1
14	86150	SEAL	1
15	YSHS12008	BOLT SOCKET, 3/8-16X1-1/2 G8	4
16	HGV95	PLUG, 1/2-14	1
17	SD133	BUSHING	1
18	86152	KEY	1
19	86153	KEY	1
20	86154	BEARING CONE	1
21	86155	BEARING CUP	1
22	86156	PLUG 1/8-27	1
23	87117	DIPSTICK	1
24	18VB26	SEAL	1
*	85385	COMPLETE GEARBOX	1

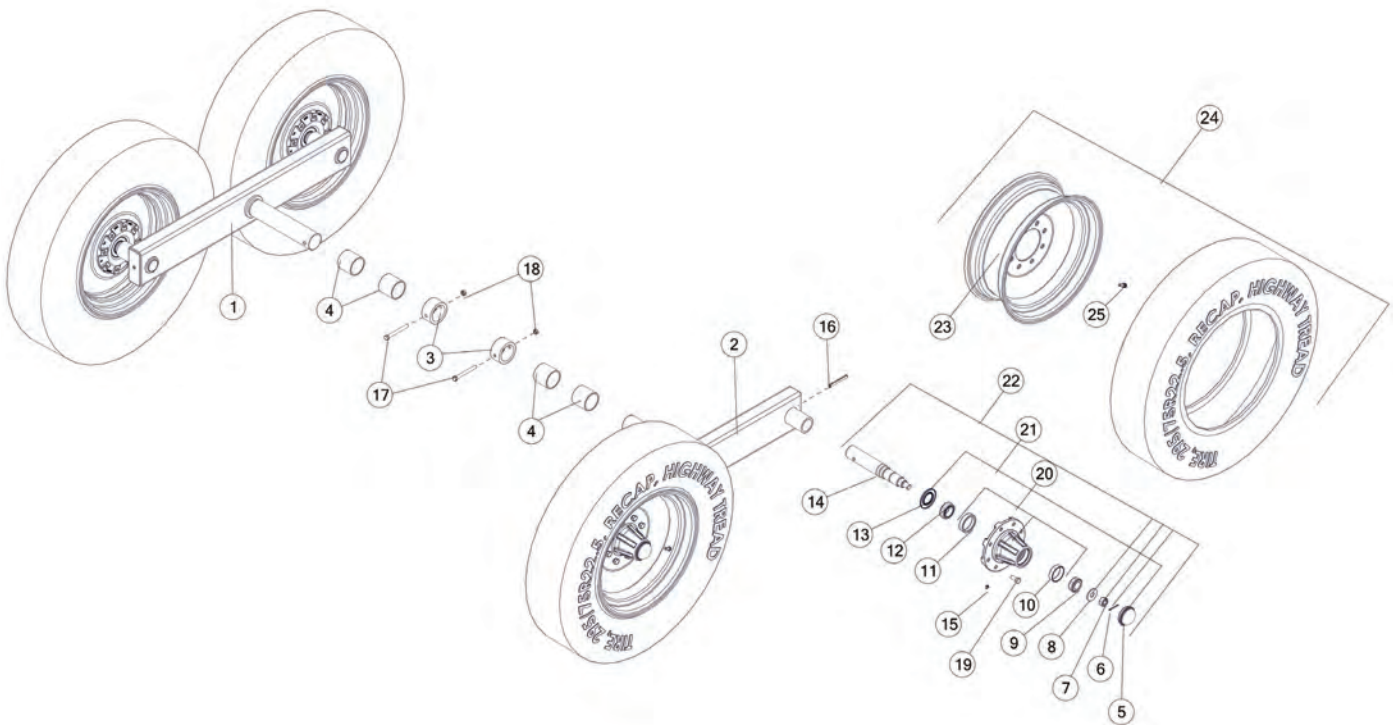


# FIGURE 19

PTO









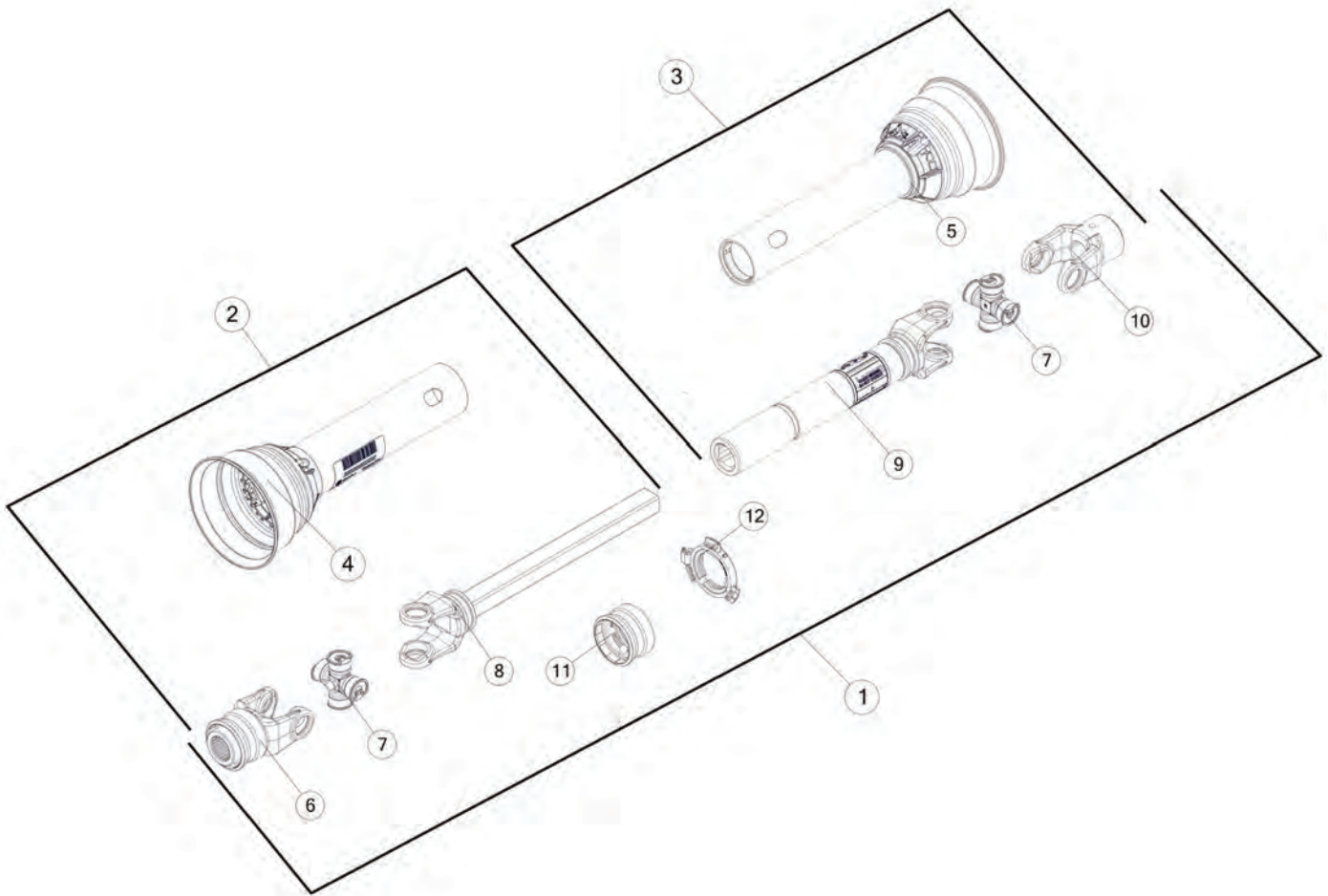
# FIGURE 20 WHEEL & HUB ASSEMBLY

REF #	PART #	DESCRIPTION	QTY
1	37N84	AXLE RH	1
2	37N85	AXLE LH	1
3	37N86	AXLE RETAINER	2
4	70150	BUSHING, NYLATRON, 3.375 OD X 3 ID X 3	4
5	B2	HUB CAP	4
6	YPCT05020	COTTER PIN, 5/32 X 1-3/4	4
7	YNSL28005	NUT SLOT, 7/8-14 G2	4
8	YWFL28005	WASHER FLAT, 7/8 ZC	4
9	B94	OUTER BEARING	4
10	B94A	OUTER RACE	4
11	B91A	INNER RACE	4
12	B91	INNER BEARING	4
13	B90	GREASE SEAL	4
14	37N8	SPINDLE	4
15	BFR28	GREASE ZERK, 1/8	4
16	YPEX16020	EXPANSION PIN, 1/2 X 4	4
17	YBHH16150	BOLT HEX, 1/2 X 4-3/4 G5	2
18	YNTL16005	NUT HEX, 1/2-13 LKTL ZC	2
19	YBSD20010	BP;T STUD 5/8 X 2-1/2	32
20	53403	HUB ASSEMBLY	4
21	26G4A	HUB ASSEMBLY	4
22	D1AS04	HUB AND SPINDLE ASSEMBLY	4
23	23N179ASR	WHEEL, 8.25 X 22.5 8 BOLT SILVER	4
24	32352SR	TIRE & WHEEL ASSEMBLY	4
25	72438	VALVE STEM, 1-1/2 HEX NUT	4





**FIGURE 21**  
MSOPT01038 OPTION  
1000 RPM PTO





# FIGURE 21

MSOPTO1038 OPTION  
1000 RPM PTO

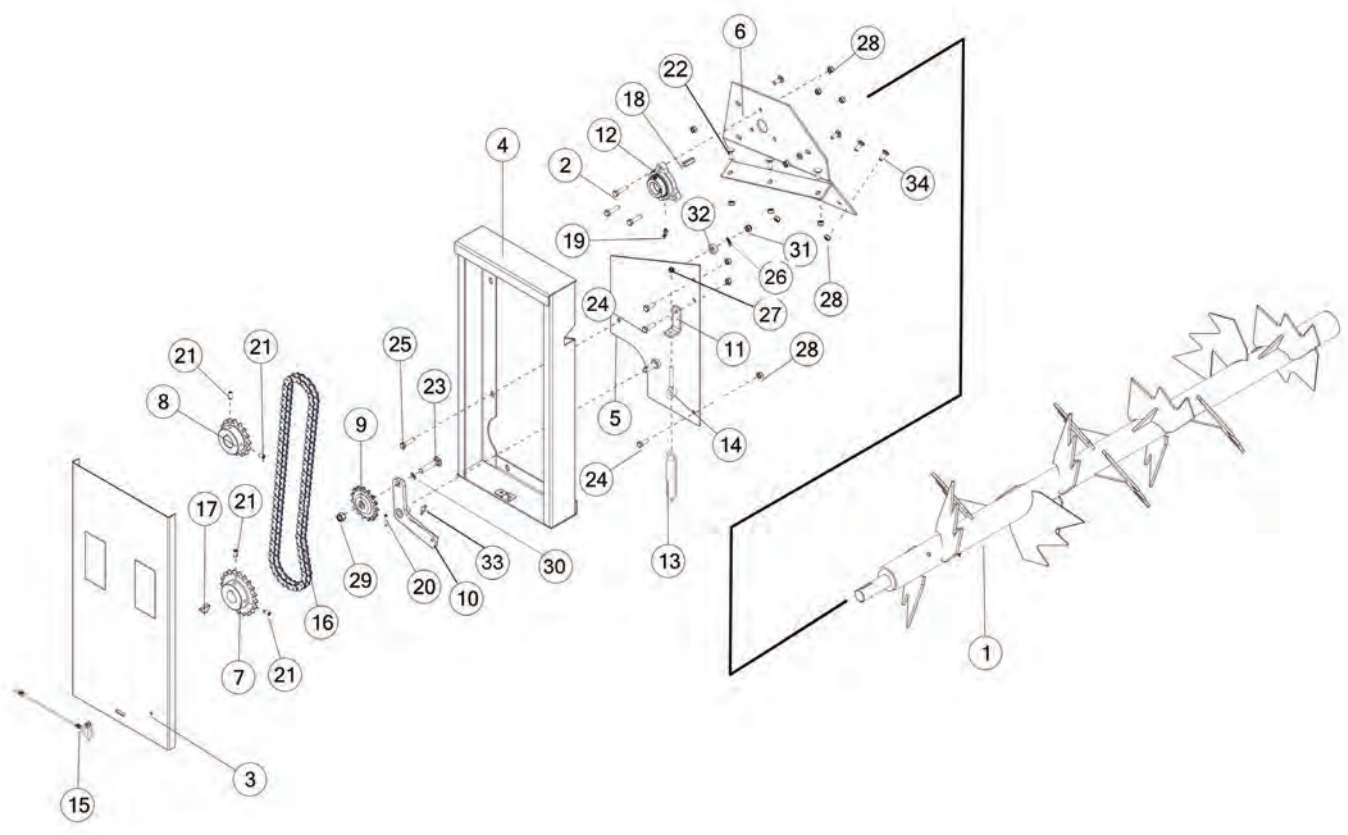
REF #	PART #	DESCRIPTION	QTY
1	23N313	COMPLETE PTO	1
2	23N314	TRACTOR HALF W/SHIELD	1
3	23N153	MACHINE HALF PTO W/SHIELD	1
4	55864	OUTER GUARD	1
5	23N156	INNER GUARD	1
6	37N73	1000 RPM YOKE	1
7	14NW KIT	14R CROSS & BEARING KIT	2
8	23N159	YOKE AND SHAFT	1
9	23N155	YOKE AND TUBE	1
10	G1R35	YOKE, 1-1/4	1
11	S225	SPRING-LOCK REPAIR KIT	1
12	55861	GUARD REPAIR KIT	1
*	S402	ADMA SAFETY MANUAL	1





# FIGURE 22

OPTIONAL  
TOP BEATER







# FIGURE 22

## OPTIONAL TOP BEATER

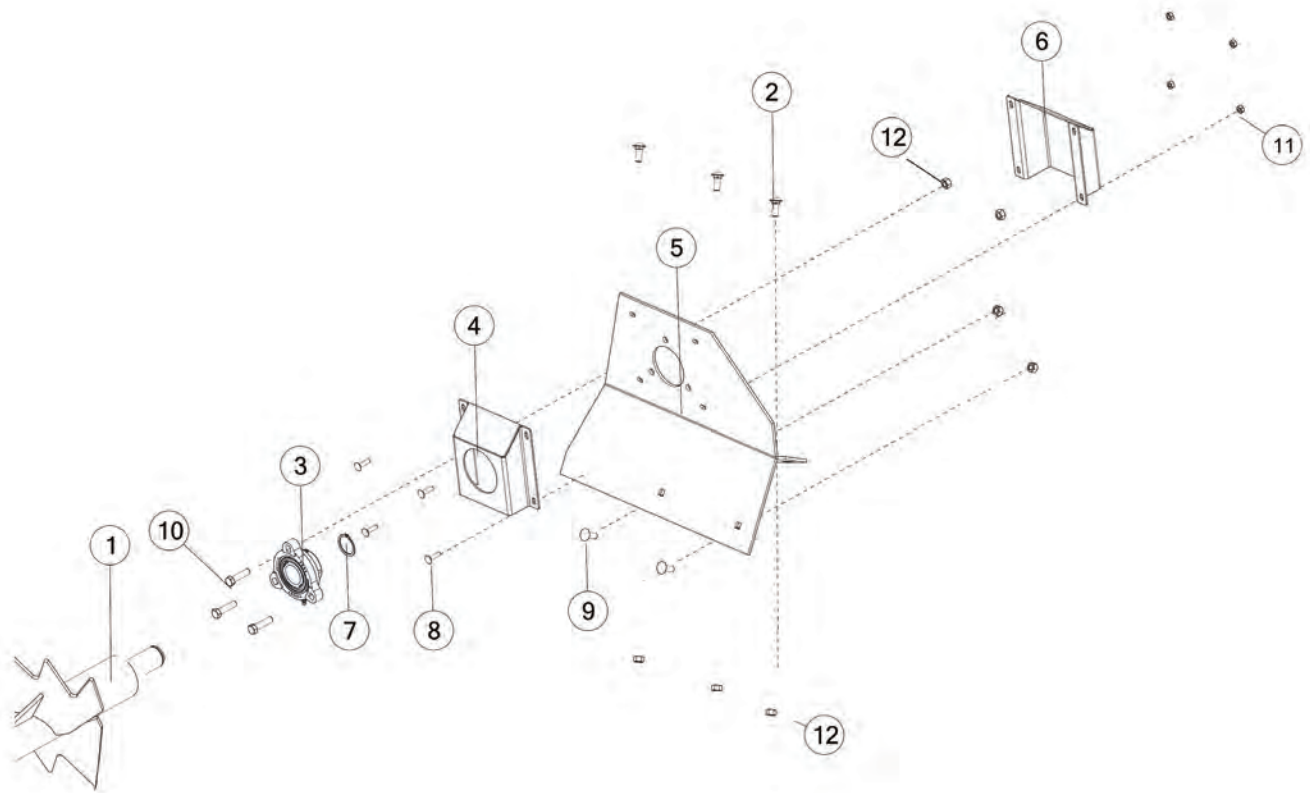
REF #	PART #	DESCRIPTION	QTY
1	97944	SECOND BEATER	1
2	YBCR12015	BOLT CARRIAGE, 3/8-16 X 1-1/2 G5	3
3	81467	FRONT SHIELD W/DECALS	1
4	81468	BEATER SHIELD W/DECALS	1
5	81465	BACK SHIELD W/DECAL	1
6	80718	BEATER PANEL, RH	1
7	80898	SPROCKET, 20T	1
8	D23	SPROCKET, 16T	1
9	12N42	IDLER SPROCKET,15T	1
10	80728	SPRING TENSIONER ARM	1
11	80152	SPRING TENSIONER BRACKET	1
12	80725	BEATER BEARING	1
13	ST36	TENSION SPRING	1
14	YBTE10039	BOLT TURNED EYE, 5/16 X 4	1
15	S122	LANYARD CLIP PIN CABLE	1
16	37N49	ROLLER CHAIN #60	1
17	5B9	KEY	1
18	A32	SQUARE KEY	1
19	RG21	GREASE ZERK, 45 DEGREE	1
20	YPEX08010	EXPANSION PIN, 1/4 X 1-1/4	1
21	YSKP12035	SETSCREW, 3/8 X 3/4	4
22	YBCR12010	BOLT CARRIAGE, 3/8 X 1 G5	3
23	YBCR16025	BOLT CARRIAGE, 1/2 X 2-1/2 G2	1
24	YBFB12003	BOLT FLANGE, 3/8 X 1 G5	3
25	YBFB12150	BOLT FLANGE, 3/8 X 1-1/2 G5	4
26	YWFL12005	WASHER FLAT, 3/8	5
27	YNFG10005	NUT FLANGE, 5/16 GF	1
28	YNFG12006	NUT FLANGE, 3/8 GF	12
29	YNFG16003	NUT FLANGE, 1/2 GF	1
30	YWFL14005	WASHER FLAT, 7/16	4
31	YNNY12005	NUT HEX, 3/8 LKNY G2	1
32	S246	SPACER	1
33	G89	STRAIGHT ZERK, 1/4-28 X 90	1
34	YBCR12020	BOLT CARRIAGE, 3/8 X 1-1/4 G5	3





# FIGURE 22

OPTIONAL  
TOP BEATER

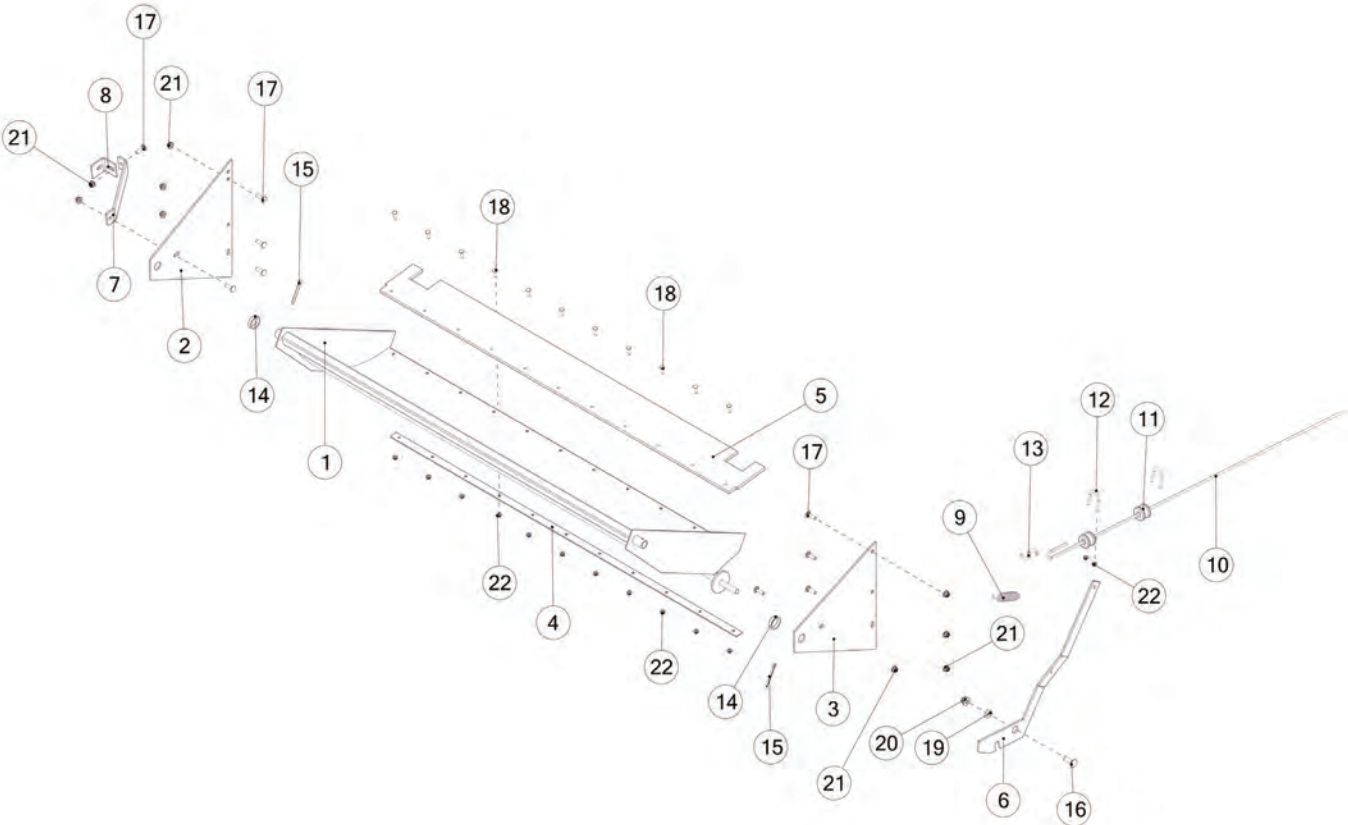






# FIGURE 23

MSOPAN310 OPTION  
REAR PAN





**FIGURE 23**  
**MSOPAN310 OPTION**  
**REAR PAN**

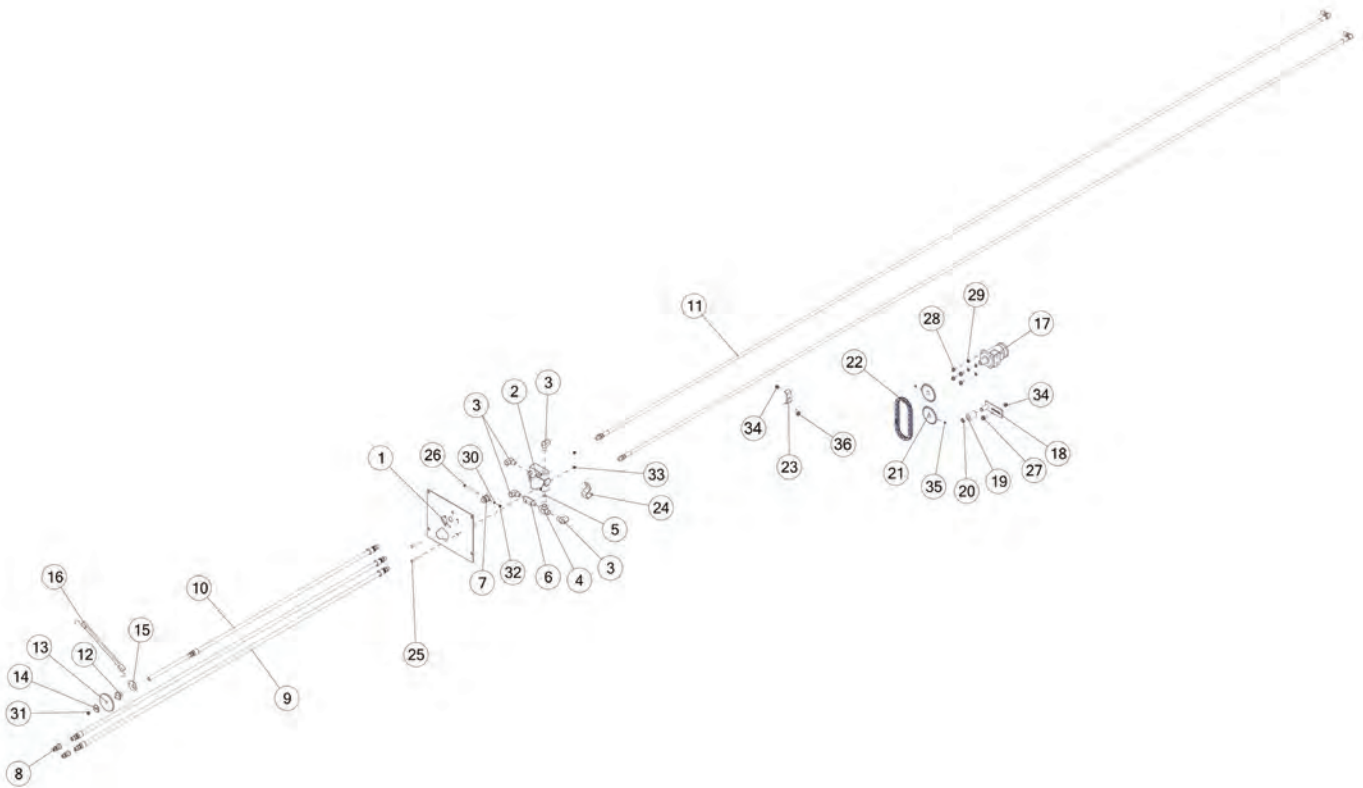
REF #	PART #	DESCRIPTION	QTY
1	23N30	PAN	1
2	88111	PAN PLATE LH	1
3	23N29	RH PAN PLATE	1
4	23N25	PAN STRAP	1
5	23N24	PAN RUBBER FLAP	1
6	95717	PAN TRIP LEVER	1
7	23N27	PAN SUPPORT BRACE	2
8	23N26	PAN BRACE ANGLE	1
9	R27	SPRING	1
10	37N5	PAN TRIP ROPE	2
11	F33	SIDE CABLE GUIDE	1
12	YBPU08005	PIPE U-BOLT, 1/4 X 3/4	2
13	YMHK92005	S-HOOK, .262 X 2-1/4 X 11/16 ZC	11
14	F112	SPACER	9
15	YPCT08010	COTTER PIN, 1/4 X 2-1/2	2
16	YBCR16010	BOLT CARRIAGE, 1/2-13 X 1-1/2 G5 ZC	4
17	YBCR12020	BOLT CARRIAGE, 3/8-16 X 1-1/4 G5 ZC	9
18	YBCR08005	BOLT CARRIAGE, 1/4-20 X 1 G5 ZC	11
19	23N23	TRIP LEVER SPACER	1
20	YNFG16003	NUT FLANGE, 1/2 GF	1
21	YNFG12006	NUT FLANGE, 3/8 GF	9
22	YNFG08010	NUT FLANGE, 1/4 GF	13





# FIGURE 24

MSO310HD4 OPTION  
HYDRAULIC DRIVE KIT - 4 HOSE





**FIGURE 24**  
**MSO310HD4 OPTION**  
**HYDRAULIC DRIVE KIT - 4 HOSE**

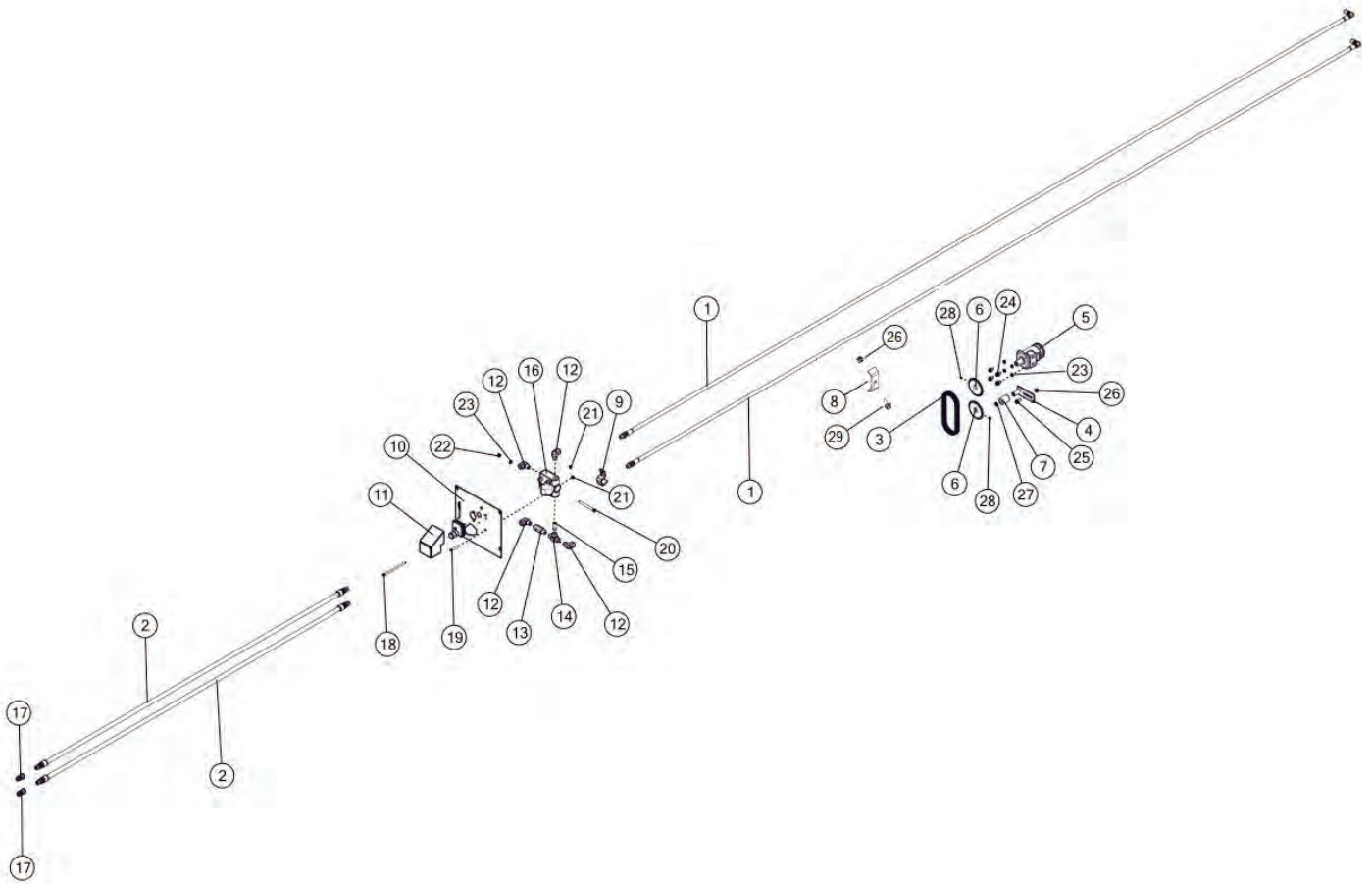
REF #	PART #	DESCRIPTION	QTY
1	23N133	HYDRAULIC CONTROL PANEL	1
2	DF15	SPEED CONTROL VALVE, NON-ADJUSTABLE	1
3	HE58	FITTING 90, 1/2NPT, 1/2NPT	4
4	DF8	FITTING TEE, 1/2NPT, 1/2NPT, 1/2NPT	1
5	DF7	FIT STRAIGHT, 1/2NPT, 1/2NPT	1
6	DF18	CHECK VALVE, 1/2	1
7	DF21	REDUCER	1
8	DWM205	MALE QUICK COUPLER S71-4P HYD TIP	2
9	23N309	HYDRAULIC HOSE, 8, 96	2
10	DF9	HYDRAULIC HOSE, 8, 72	1
11	77330	HYDRAULIC HOSE, 6, 224	2
12	DF10	HANDLE BRACKET	1
13	DF11	CONTROL HANDLE	1
14	DF12	WASHER	1
15	DF22	RING	1
16	DF14	STRAP	1
17	DF1	HYDRAULIC MOTOR	1
18	L10R35	TIGHTENER BRACKET	1
19	23N238	CHAIN TIGHTENER ROLLER	1
20	10R32	SNAP RING, EXTERNAL, .7	1
21	11S19	SPROCKET, 50B20, 1 ID	2
22	23N131	ROLLER CHAIN, #50, 40P	1
23	HE42	HOSE BRACKET	1
24	HE14	SMALL PIPE BRACKET	1
25	YBCR08025	BOLT CARRIAGE, 1/4-20 X 2-1/2 G5 ZC	2
26	YBHH08115	BOLT HEX, 1/4 X 4 G5	1
27	YBFB12003	BOLT FLANGE, 3/8 X 1 G5	1
28	YBFB12075	BOLT FLANGE, 3/8 X 3/4 G5	4
29	YWLO12005	WASHER, LOCK, 3/8	4
30	YWLO08005	WASHER, LOCK, 1/4, ZC	1
31	YNTL12005	NUT HEX, 3/8-16 LKTL ZC	1
32	YNHX08005	NUT HEX, 1/4-20 ZC	1
33	YNFG08010	NUT FLANGE, 1/4 GF	2
34	YNFG12006	NUT FLANGE, 3/8 GF	2
35	YSKP10010	SET SCRW, SCKT, KNURLED CUP PT, 5/16 - 18 X 3/8	2
36	YBCR12225	BOLT FLANGE, 3/8 X 2-1/4 G5	1





# FIGURE 25

MSO310HD4EC OPTION  
HYD DRIVE KIT - 4 HOSE W/ELEC CONTROL







# FIGURE 25

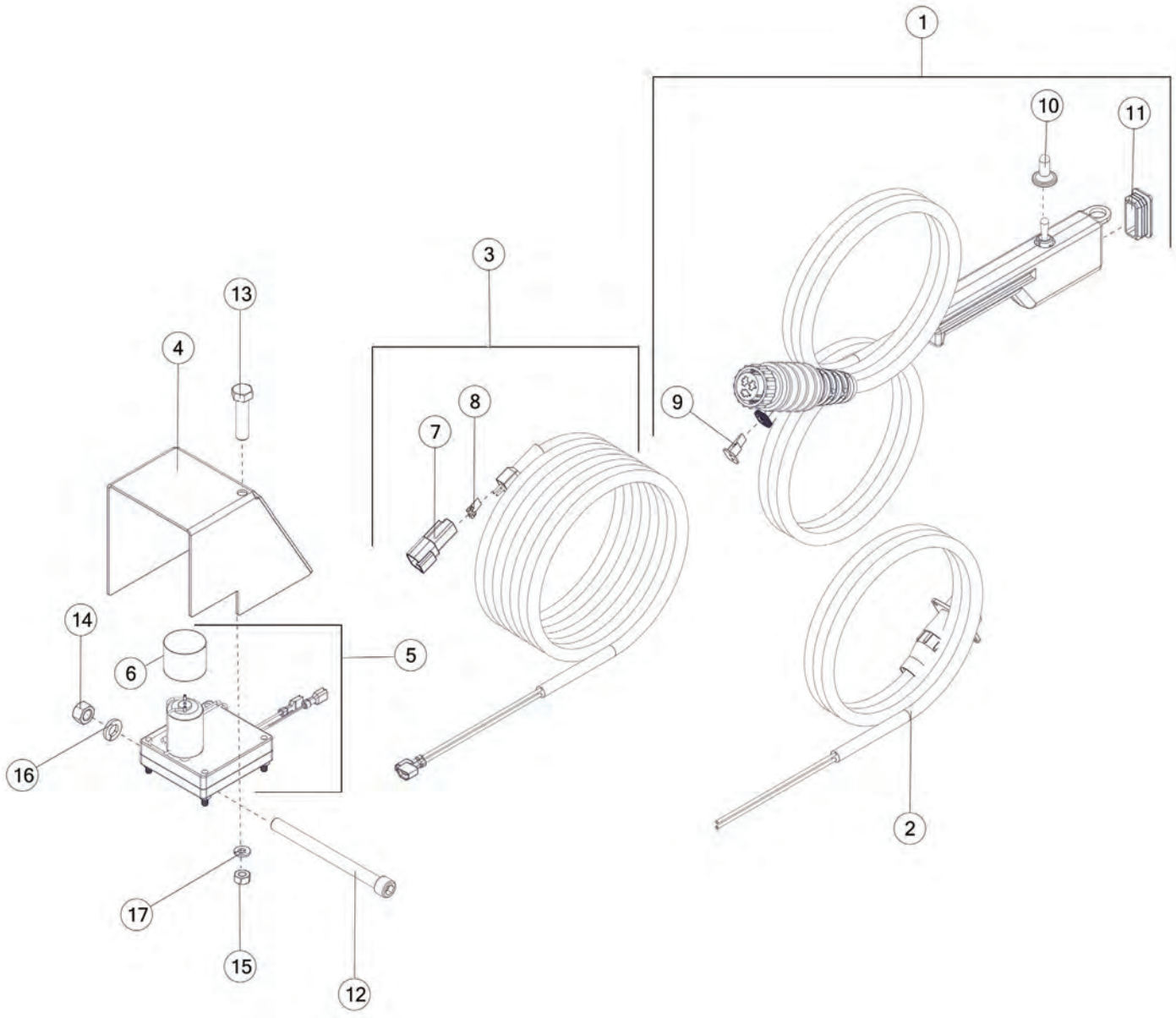
MSO310HD4EC OPTION  
HYD DRIVE KIT - 4 HOSE W/ELEC CONTROL

REF #	PART #	DESCRIPTION	QTY
1	77330	HYDRAULIC HOSE, 6, 224 8NPT, 8NPT	2
2	23N309	HYDRAULIC HOSE, 8, 96	2
3	23N131	ROLLER CHAIN, #50, 40P	1
4	L10R35	TIGHTENER BRACKET	1
5	DF1	HYDRAULIC MOTOR	1
6	11S19	SPROCKET, 50B20, 1 ID	2
7	23N238	CHAIN TIGHTENER ROLLER	1
8	HE42	HOSE BRACKET	1
9	HE14	SMALL PIPE BRACKET	1
10	23N133	HYDRAULIC CONTROL PANEL	1
11	81058	MOTOR SHIELD	1
12	HE58	FITTING 90, 1/2NPT, 1/2NPT	4
13	DF18	CHECK VALVE, 1/2	1
14	DF8	FITTING TEE, 1/2NPT, 1/2NPT, 1/2NPT	1
15	DF7	FITTING STRAIGHT, 1/2NPT, 1/2NPT	1
16	DF15A	PORT, ADJUSTABLE FLOW CONTROL, 1/2	1
17	DWM205	MALE QUICK COUPLER S71-4P SAFEWAY HYD TIP	2
18	YBHH08127	BOLT HEX, 1/4 X 6-1/2 G5	1
19	YBCR08025	BOLT CARRIAGE, 1/4-20 X 2-1/2 G5 ZC	1
20	YSHS12020	BOLT SOCKET, 3/8-16X4-1/2	1
21	YNFG08010	NUT FLANGE, 1/4 GF	2
22	YNHX12005	NUT HEX, 3/8-16 ZC	1
23	YWLO12005	WASHER, LOCK, 3/8	5
24	YBFB12075	BOLT FLANGE, 3/8 X 3/4 G5	4
25	YBFB12003	BOLT FLANGE, 3/8 X 1 G5	1
26	YNFG12006	NUT FLANGE, 3/8 GF	2
27	10R32	SNAP RING, EXTERNAL, .7	1
28	YSKP10010	SET SCRW, SCKT, KNURLED CUP PT, 5/16 - 18 X 3/8	2
29	YBFB12225	BOLT FLANGE, 3/8 X 2-1/4 G5	1





**FIGURE 26**  
MSO-EC OPTION  
ELEC CONTROLS - HYD DRIVE





# FIGURE 26

## MSO-EC OPTION

### ELEC CONTROLS - HYD DRIVE

REF #	PART #	DESCRIPTION	QTY
1	63365	HAND CONTROLLER, (ON)-OFF-(ON) REVERSING	1
2	16SV269	TRACTOR CONTROL CABLE	1
3	16SV272	SPREADER POWER SUPPLY CABLE	1
4	81058	MOTOR SHIELD	1
5	81270	DC MOTOR ASSY.	1
6	81269	DC MOTOR CAP	1
7	56861	ELEC, DT04-2P, DEUTSCH	1
8	56863	ELEC, W2P, DEUTSCH	1
9	58793	WEDGELOCK FOR DT06-2S CONNECTOR	1
10	16SV235	SWITCH BOOTS	1
11	61564	CAP	1
12	YSHS12020	BOLT SOCKET, 3/8-16 X 4-1/2 BO	1
13	YBHH08127	BOLT HEX, 1/4 X 6-1/2 G5	1
14	YNHX12005	NUT HEX, 3/8-16 ZC	1
15	YNHX08005	NUT HEX, 1/4-20 ZC	1
16	YWLO12005	WASHER, LOCK, 3/8	1
17	YWLO08005	WASHER, LOCK, 1/4 ZC	1

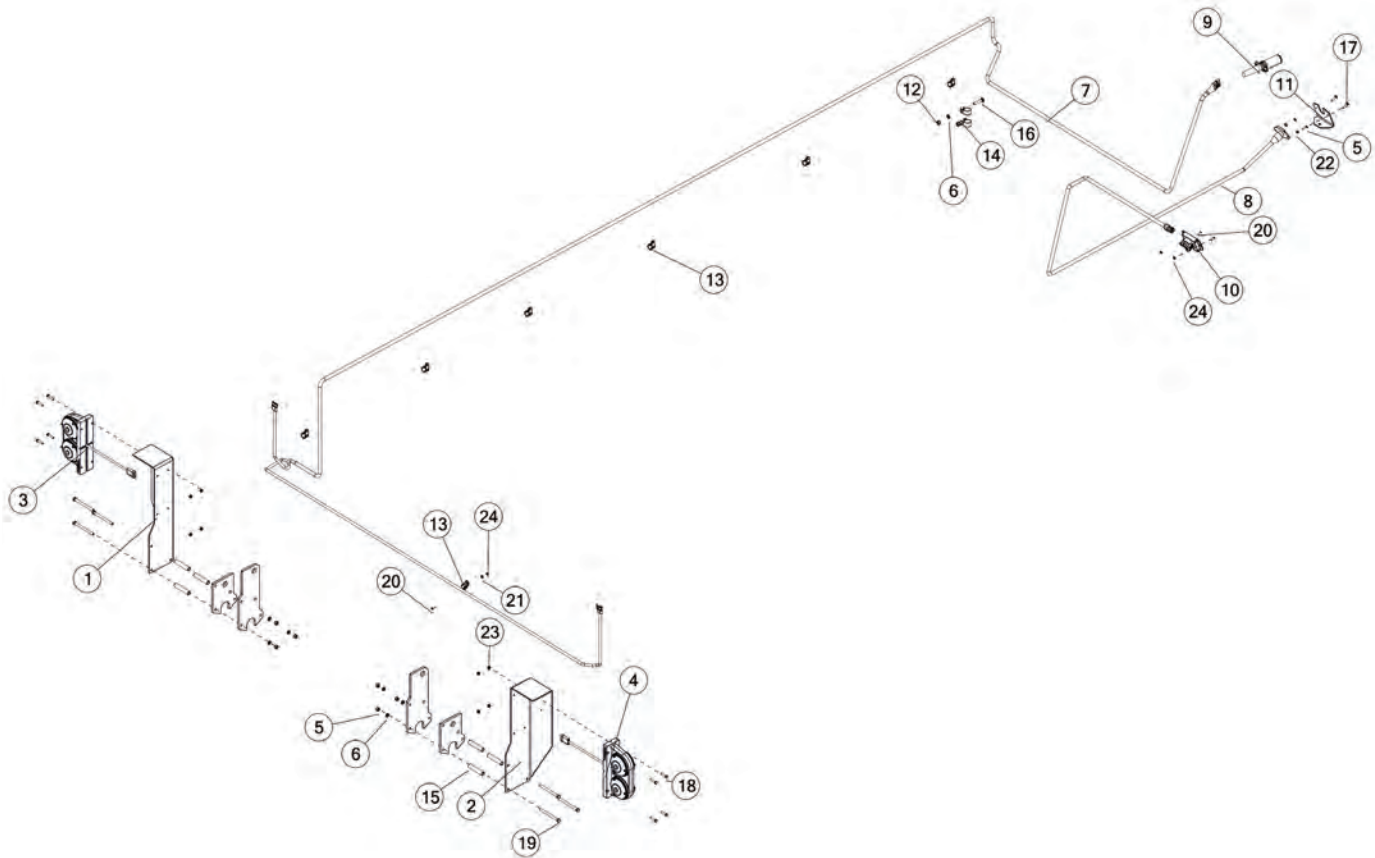




# FIGURE 27

## MSOLIGHT OPTION

### HIGHWAY LIGHTING KIT





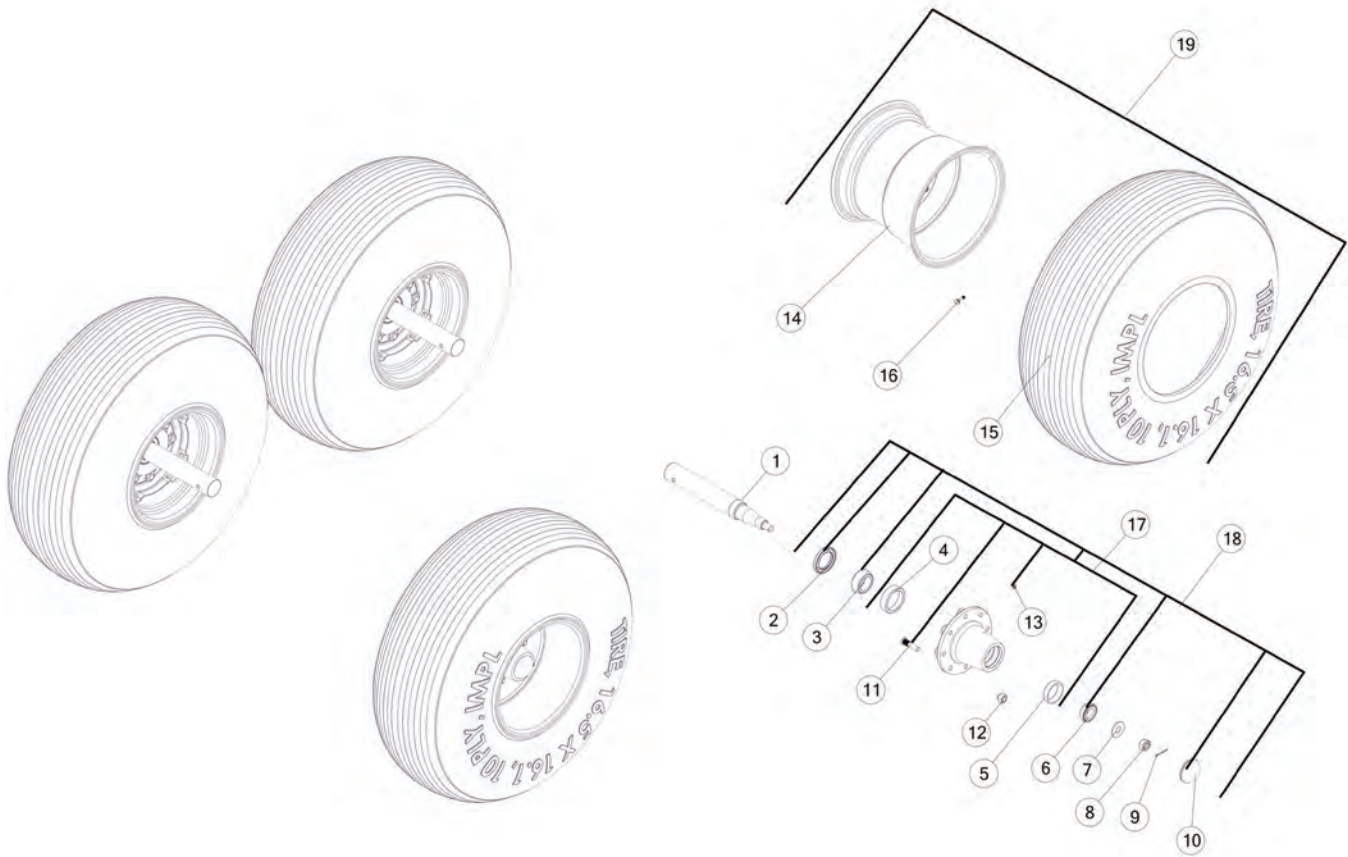
# FIGURE 27

## MSOLIGHT OPTION

### HIGHWAY LIGHTING KIT

REF #	PART #	DESCRIPTION	QTY
1	77918	LIGHT BRACKET LH	1
2	77922	LIGHT BRACKET RH	1
3	77923	TAIL LIGHT ASSY LH	1
4	77924	TAIL LIGHT ASSY RH	1
5	YNTL12005	NUT HEX, 3/8	1
6	YWLO12005	WASHER, LOCK, 3/8	2
7	77975	ELEC HARNESS	1
8	79260	LIGHT HARNESS	1
9	TLPC	TRANSPORT LIGHT CORD	1
10	69908	MODULE CONTROL BLINKER	1
11	BFR659	LIGHT BRACKET	1
12	YNTL12005	NUT HEX, 3/8	2
13	HGV162	RUBBER WIRE HOLDER, 1/2	8
14	HGV72	WIRE CLAMP, 3/4	2
15	ST55	SPACER	6
16	YBCR12035	BOLT CARRIAGE, 3/8 X 2	2
17	YBHH08005	BOLT CARRIAGE, 1/4 X 1	2
18	YBHH08030	BOLT HEX, 1/4 X 1-1/4	8
19	YBHH12185	BOLT HEX, 3/8 X 4-1/2	6
20	YSPN64005	MACHINE SCREW #10-24 X 5/8	4
21	YMRV06015	WASHER, 3/16	2
22	YNHX08005	NUT HEX, 1/4	2
23	YNNY08005	NUT HEX, 1/4	8
24	YNNY64005	NUT HEX, #10-24	4







# FIGURE 28

TWSHP370

## 16.5 X 16.1 TIRE/WHEEL/SPINDLE/HUB OPTION

REF #	PART #	DESCRIPTION	QTY
1	16SV203	SPINDLE	4
2	B90	GREASE SEAL	4
3	B91	INNER BEARING	4
4	B91A	INNER RACE	4
5	B94A	OUTER RACE	4
6	B94	OUTER BEARING	4
7	YWFL28005	WASHER, FLAT, 7/8 ZC	4
8	YNSL28005	NUT SLOT, 7/8-14 NA G2 NF	4
9	YPCT05020	COTTER PIN, 5/32 X 1-3/4	4
10	B2	HUB CAP	4
11	YBSD20010	BOLT STUD, 5/8 X 2-1/2 G8	32
12	YNWL20005	NUT WHEEL, 5/8-18 NA G5 ZC	32
13	BFR28	GREASE ZERK, 1/8 NPT	4
14	12V36SR	WHEEL, 14 X 16.1 8 BOLT SILVER	4
15	UR5	TIRES, IMPL, 16.5 X 16.1 10 PLY	4
16	72436	VALVE STEM, RUBBER 1-1/2	4
17	53403	HUB SUBASSEMBLY	4
18	26G4A	HUB ASSEMBLY	4
19	32353SR	TIRE AND WHEEL ASSEMBLY	4





# PARTS NOTES

---

---

---

---

---

---

---

---

---

---

---

---

---

---

---

---

---

---

---

---

---

---

---

---

---

---

---







Manufactured By:

# H&S MANUFACTURING CO., INC.

2608 S. HUME AVE. MARSHFIELD, WI 54449  
(715) 387-3414 | hsmfgco.com

