

H&S

PARTS BOOK

3243 MANURE SPREADER



Revision #00

Starting Ser. #122MS43001

HSMFG012821

PART#85977

Manufactured by
H&S MANUFACTURING CO., INC.
2608 S. HUME AVE. MARSHFIELD, WI 54449
(715) 387-3414 | hsmfgco.com



CONTENTS

Instructions for Ordering Parts - About Improvements	1
Figure 1 - Beater and Pan Assembly.	2-3
Figure 2 - Hub,Spindle and Box Parts.	4-7
Figure 3 - Front Shield and Drive Assembly.	8-11
Figure 4 - Back Shields and Drive Assembly.	12-15
Figure 5 - Hydraulic Endgate Assembly.	16-17
Figure 6 - Apron Chain Assembly.	18-19
Figure 7 - Optional Hydraulic Drive Assembly	20-21
Figure 8 - Worm Gearbox Assembly.	22-23
Figure 9 - Bevel Gearbox	24-25
Figure 10 - Hydraulic Cylinder.	26-27
Figure 11 - PTO Assembly.	28-29
Figure 12 - PTO Assembly (1000RPM)	30-31
Figure 13 - Optional Second Beater	32-35
Figure 14 - Optional Electric Control for Hydraulic Drive.	36-37
Figure 15 - Electric Control	38-39
Figure 16 - Optional Light Kit	40-41
Parts Notes	42

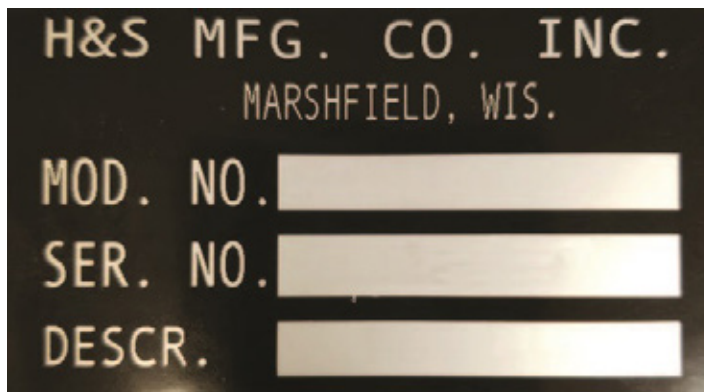
INSTRUCTIONS FOR ORDERING PARTS

All service parts should be ordered through your authorized H&S dealer. Your dealership will be able to give you faster service if you will provide them with the following:

1. Model & Serial Number - Both can be located on the side of the center bearing post above jack mount.
2. All references to left or right apply to the machine as viewed from the rear.
3. Parts should not be ordered from illustration only. Please order complete part number.
4. If your dealer has to order parts - give shipping instructions:

VIA truck - large pieces (please specify local truck lines)

VIA United Parcel Service (include full address)



PLEASE RECORD NUMBERS FOR YOUR UNIT FOR QUICK REFERENCE

ABOUT IMPROVEMENTS

H&S IS CONTINUALLY STRIVING TO IMPROVE ITS PRODUCTS

We must, therefore, reserve the right to make improvements or changes whenever it becomes practical to do so, without incurring any obligation to make changes or additions to the equipment previously sold.

FIGURE 1 BEATER & PAN ASSEMBLY

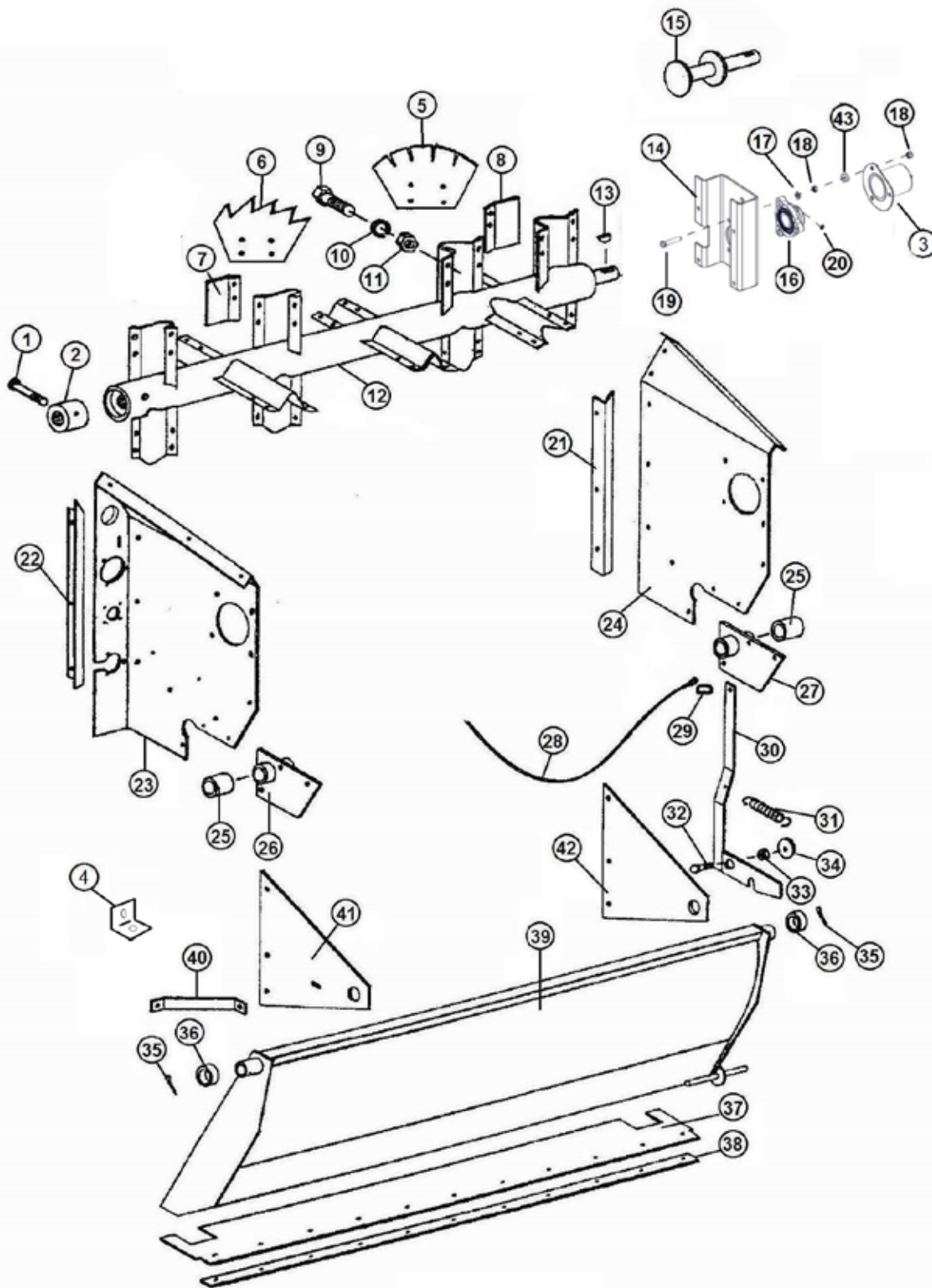


FIGURE 1

BEATER & PAN ASSEMBLY

<u>ITEM</u>	<u>QTY</u>	<u>PART#</u>	<u>DESCRIPTION</u>
1	1	YBHH10130	BOLT HEX, 5/16 X 5 G5
2	1	23N2	SPLINED BEATER INSERT
3	1	82910	BEARING COVER
4	1	23N26	PAN BRACE
5	6	23N276	BEATER BLADE - HARDENED
6	8	23N277	BEATER BLADE - HARDENED
7	1	23N7	BEATER BLADE WIPER LH
8	1	23N8	BEATER BLADE WIPER RH
9	56	YBHH16045	BOLT HEX, 1/2 X 1-1/4 G5
10	56	YWLO16005	WASHER LOCK , 1/2
11	56	YNTL16005	NUT HEX TOP LOCK, 1/2
12	1	81161	BEATER
13	1	5B9	WOODRUFF KEY
14	1	80794	BEATER SHAFT SUPPORT
15	1	80791	BEATER STUB SHAFT
16	1	80725	BEATER BEARING
17	3	YWFL12005	WASHER, 3/8
18	6	YNFG12006	HEX NUT, 3/8
19	3	YBFB12200	BOLT, 3/8 X 2
20	1	RG21	GREASE ZERK, 45
21	1	37N1	POLY HOLDDOWN RH SIDE
22	1	75596	POLY HOLDDOWN LH MAIN
23	1	86164	MAIN PANEL, LH
24	1	37N4	MAIN PANEL, RH
25	2	23N17	DRIVE SHAFT BUSHING
26	1	37N78	DRIVE SHAFT BRACKET LH
27	1	23N19	DRIVE SHAFT BRACKET RH
28	1	37N5	PAN TRIP ROPE
29	1	R31	CLIP
30	1	23N21	PAN TRIP LEVER
31	1	R27	SPRING
32	1	YBCR16010	BOLT CARRIAGE, 1/2 X 1-1/2 G5
33	1	23N23	TRIP LEVER SPACER WASHER
34	1	YWFL16005	WASHER FLAT, 1/2
35	2	YPCT06020	COTTER PIN, 3/16 X 2
36	2	F112	SPACER
37	1	23N24	PAN RUBBER FLAP
38	1	23N25	PAN STRAP
39	1	23N30	PAN
40	1	23N27	PAN SUPPORT BRACE
41	1	23N28	PAN SUPPORT LH
42	1	23N29	PAN SUPPORT RH
43	1	82944	SPACER

FIGURE 2

HUB, SPINDLE & BOX PARTS

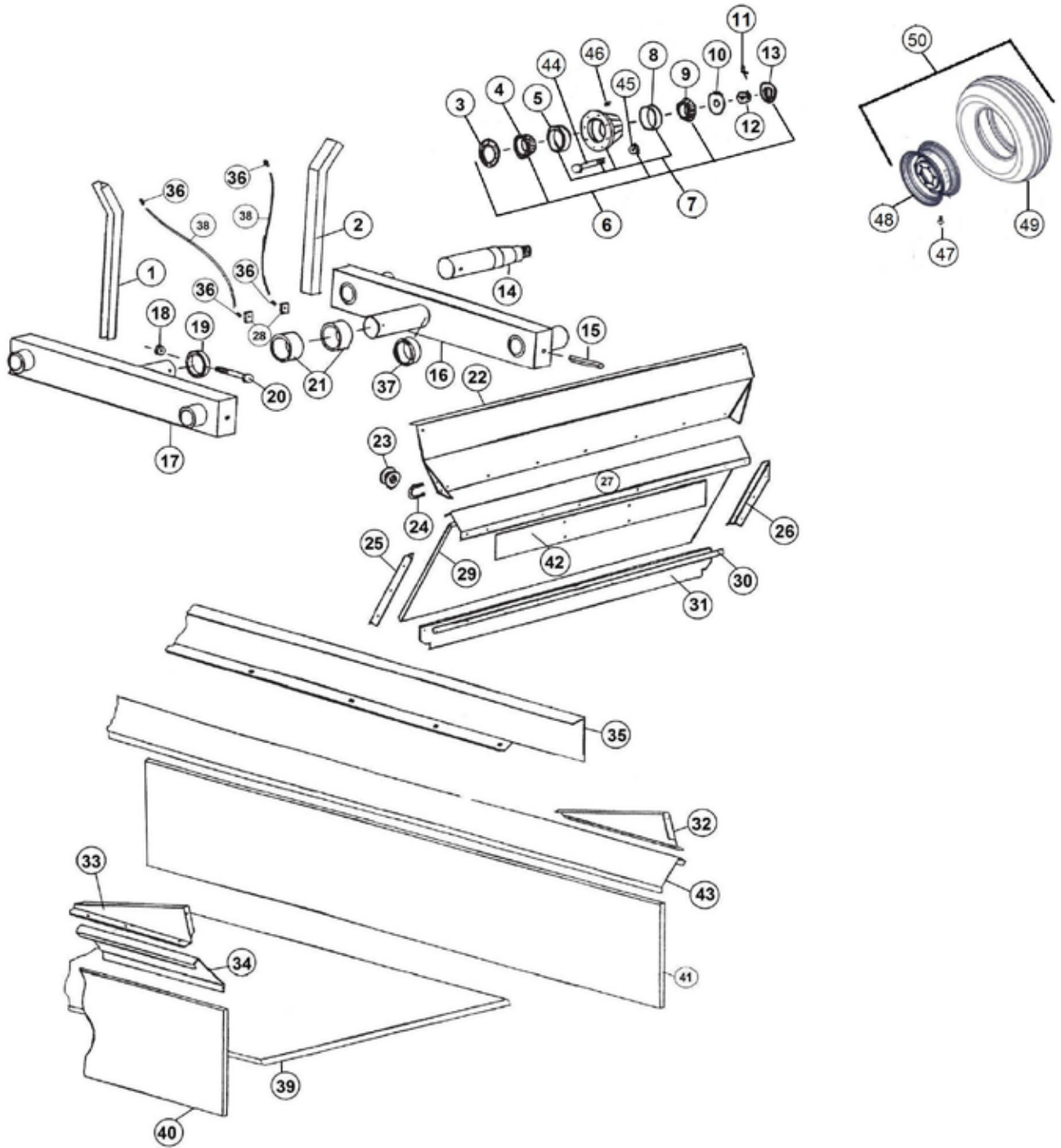


FIGURE 2

HUB, SPINDLE & BOX PARTS

<u>ITEM</u>	<u>QTY</u>	<u>PART#</u>	<u>DESCRIPTION</u>
1	1	37N6	SIDE STAKE RH
2	1	37N7	SIDE STAKE LH
3	11	B90	GREASE SEAL
4	1	B91	INNER BEARING
5	1	B91A	INNER RACE
6	1	26G4A	HUB COMPLETE
7	1	53403	HUB WITH RACES OUTER
8	1	B94A	RACE
9	1	B94	OUTER BEARING
10	1	YWFL28005	WASHER FLAT, 7/8
11	1	YPCT05020	COTTER PIN, 5/32 X 1-3/4
12	1	YNSL28005	NUT HEX, SLOTTED, 7/8
13	1	B2	HUB CAP
14	4	16SV203	SPINDLE
15	4	YPEX16020	EXPANSION PIN, 1/2 X 4
16	1	37N85	TANDEM AXLE LH
17	1	37N84	TANDEM AXLE RH
18	2	YNL16005	NUT HEX, TOP LOCK, 1/2
19	2	37N86	RING
20	2	YBHH16150	BOLT HEX, 1/2 X 4-3/4 G5
21	4	70150	POLY BUSHING
22	1	23N34	FRONT FLARE
23	1	F33	SIDE CABLE GUIDE
24	1	YBPU08005	PIPE U BOLT, 1/4 X 3/4
25	1	37N12	PLYWOOD ANGLE RH

FIGURE 2 HUB, SPINDLE & BOX PARTS

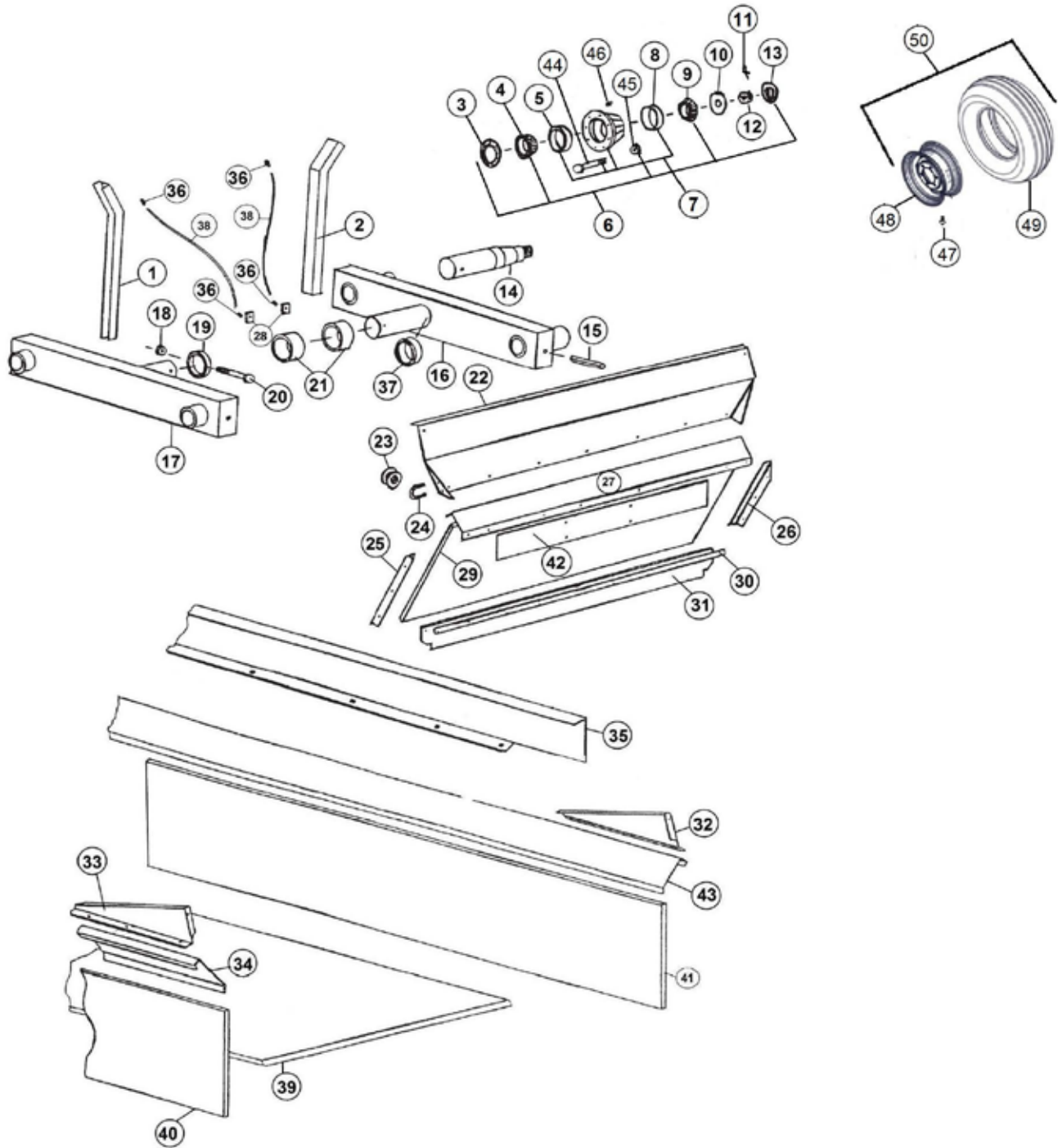


FIGURE 2

HUB, SPINDLE & BOX PARTS

<u>ITEM</u>	<u>QTY</u>	<u>PART#</u>	<u>DESCRIPTION</u>
26	1	37N13	PLYWOOD ANGLE LH
27	1	23N176	FRONT END BRACE
28	2	16V9	GREASE ZERK BRACKET
29	1	37N65A	FRONT GATE PLYWOOD W/FIBERGLASS
30	1	23N40	STRAP FOR RUBBER
31	1	23N41	FRONT GATE RUBBER
32	1	23N42	SPLASH GUARD LH
33	1	23N43	SPLASH GUARD RH
34	1	43N3	SIDE FLARE RH
35	1	43N1	SIDE EXTENSION LH
36	4	S47	GREASE LINE FITTING
37	2	70162	POLY BUSHING
38	2	31N43	GREASE LINE
39	1	37N81	SOLID POLY FLOOR
40	1	37N67A	BONDED POLY/PLYWOOD SIDE RH
41	1	37N68A	BONDED POLY/PLYWOOD SIDE LH
42	1	37N51	FRONT PANEL
43	1	43N4	SIDE FLARE LH
44	8	YBSD20010	BOLT STUD, 5/8 X 2-1/2 X 7/8 G8
45	8	YNWL20005	NUT WHEEL, 5/8 G5
46	2	BFR28	GREASE ZERK, 1/8 NPT
47	2	72436	VALVE STEM 1-1/2 RUBBER
48	2	12V36	WHEEL 16.1 X 14 8 BOLT (OFF-WHITE)
49	2	UR5	16.5 X 16.1 10 PLY IMPL TIRES
50	2	32353	16.5 X 16.1 ON 14 X 16.1, 8-BOLT
*	1	43N2	SIDE EXTENSION RH

FIGURE 3 **FRONT SHIELD & DRIVE ASSEMBLY**

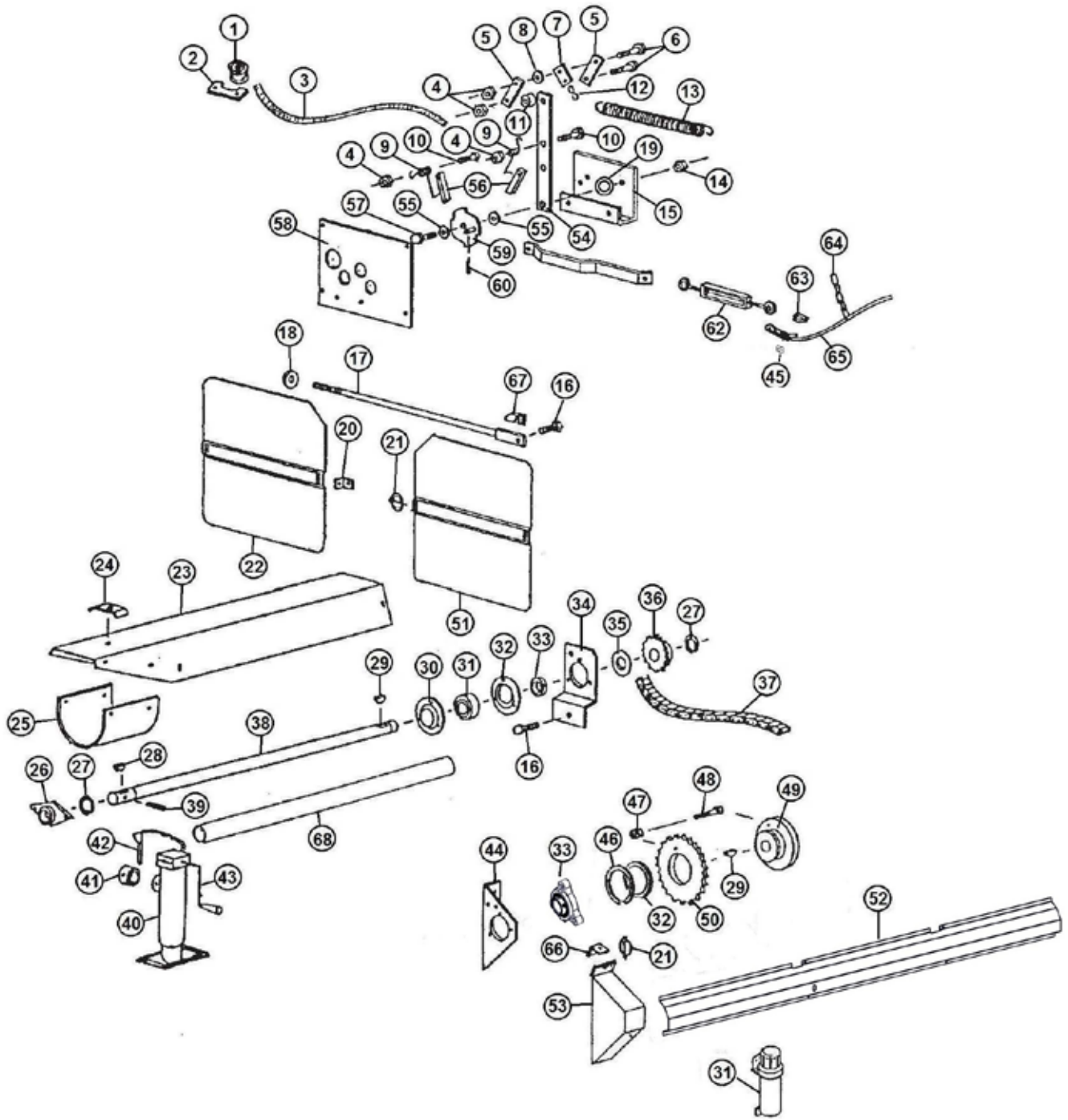


FIGURE 3

FRONT SHIELD & DRIVE ASSEMBLY

<u>ITEM</u>	<u>QTY</u>	<u>PART#</u>	<u>DESCRIPTION</u>
1	1	F33	ROPE GUIDE
2	1	23N182	BRACKET
3	1	23N183	ROPE (15)
4	4	YNTL12005	NUT HEX, 3/8
5	2	23N184	BRACKET
6	2	YBHH12035	BOLT HEX 3/8 X 1-1/4 G5
7	1	23N185	SPRING BRACKET
8	1	YWFL12005	WASHER FLAT, 3/8
9	1	23N186	DOG SPRING
10	2	YBHH12010	BOLT HEX, 3/8 X 1 G5
11	1	D107	SPACER
12	1	X79	S- HOOK
13	1	23N187	SPRING
14	1	YNHX16005	NUT HEX, 1/2
15	1	23N188	SHIFTER BRACKET
16	2	YBHH16045	BOLT HEX, 1/2 X 1-1/4 G5
17	1	23N63	TIGHTENER ROD
18	1	F129	WASHER
19	1	31N51	SHIFTER SPACER WASHER
20	1	F92	SHIELD BRACKET
21	2	YPLY08010	LYNCH PIN, 1/4 X 1-1/2
22	1	23N305	FRONT SHIELD
23	1	23N66	SHIELD
24	1	23N67	TAILGATE HOSE BRACKET
*	1	HE42	HYDRAULIC DRIVE BRACKET
25	1	F54	SHIELD
26	1	12N29	BEARING
27	2	F73	SNAP RING
28	1	5B10	WOODRUFF KEY, 1/4 X 1
29	2	5B9	WOODRUFF KEY, 3/8 X 1-1/4
30	1	F114	FLANGE W/STRAIGHT ZERK
31	1	S522	MANUAL HOLDER
32	1	C112G01	SHEAR HUB SPACER
33	1	80662	BEARING 1-1/4
34	1	23N68	JACK SHAFT BRACKET
35	1	23N69	FRONT SHAFT SPACER

***MEANS NOT SHOWN**

FIGURE 3 FRONT SHIELD & DRIVE ASSEMBLY

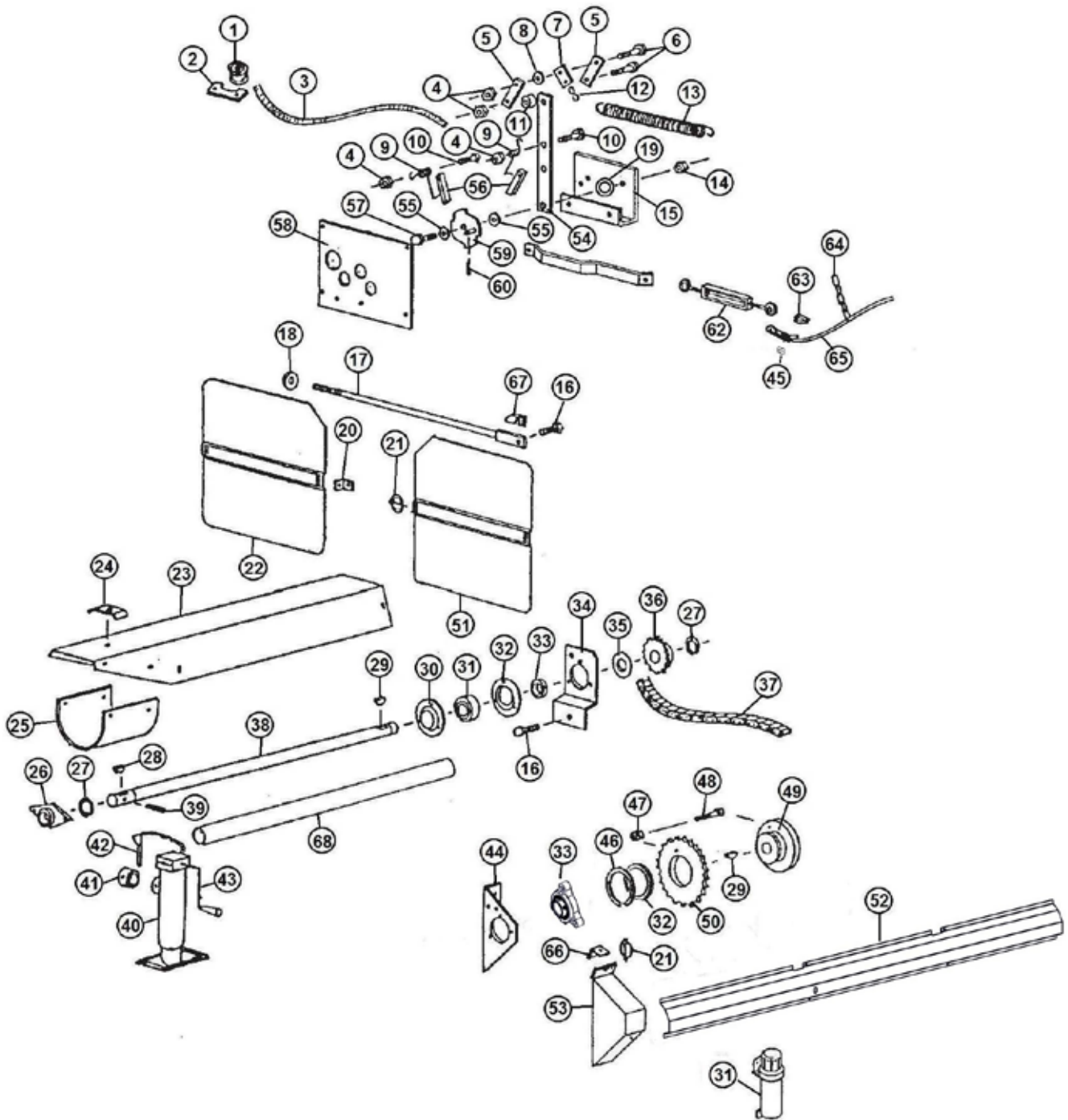


FIGURE 3

FRONT SHIELD & DRIVE ASSEMBLY

<u>ITEM</u>	<u>QTY</u>	<u>PART#</u>	<u>DESCRIPTION</u>
36	1	23N70	SPROCKET (25T)
*	1	37N72	SPROCKET (16T) (OPTIONAL 1000 RPM)
37	1	23N245	ROLLER CHAIN
38	1	23N72	FRONT SHAFT
39	1	YPEX10020	EXPANSION PIN, 5/16 X 2-1/4
40	1	27N49	JACK
*	1	12N120	JACK GEAR REPAIR KIT
41	1	27N51	JACK MOUNT
42	1	27N50	JACK PIN
43	1	12N119	HANDLE
*	1	12N118	REPLACEMENT BEARING
44	1	85014B	BEARING PLATE
45	1	ES15	CABLE CLAMP, 1/8
46	1	23N189	SNAP RING
47	1	YNTL12005	NUT HEX, TOP LOCK, 3/8
48	1	YBHH12025	BOLT HEX, 3/8 X 1-1/2 G5
49	1	45N71	SHEAR HUB
50	1	C1MS01	SHEAR SPROCKET
51	1	23N306	FRONT SHIELD LH
52	1	86122B	SIDE SHIELD
53	1	85034B	SHIELD
54	1	23N192	FRONT SHIFTER ARM
55	2	YWFL16005	WASHER FLAT, 1/2 USS
56	2	23N193	DOG
57	1	YBHH16055	BOLT HEX, 1/2 X 1-3/4 G5
58	1	23N195	SHIFTER PANEL
59	1	23N196	SPEED SELECTOR
60	1	YPCT04005	COTTER PIN, 1/8 X 1
61	1	23N197	SHIFTER A RM
62	1	F84	TURNBUCKLE
63	1	ES14	CABLE LOOP
64	1	23N198	CABLE CHAIN
65	1	31N27	CABLE
66	1	23N242	SHIELD BRACKET
67	1	23N278	SPACER
68	1	37N74	FRONT SHAFT GUARD
69	1	12N122	BEARING W/LOCK COLLAR

*MEANS NOT SHOWN

FIGURE 4 BACK SHIELDS & DRIVE ASSEMBLY

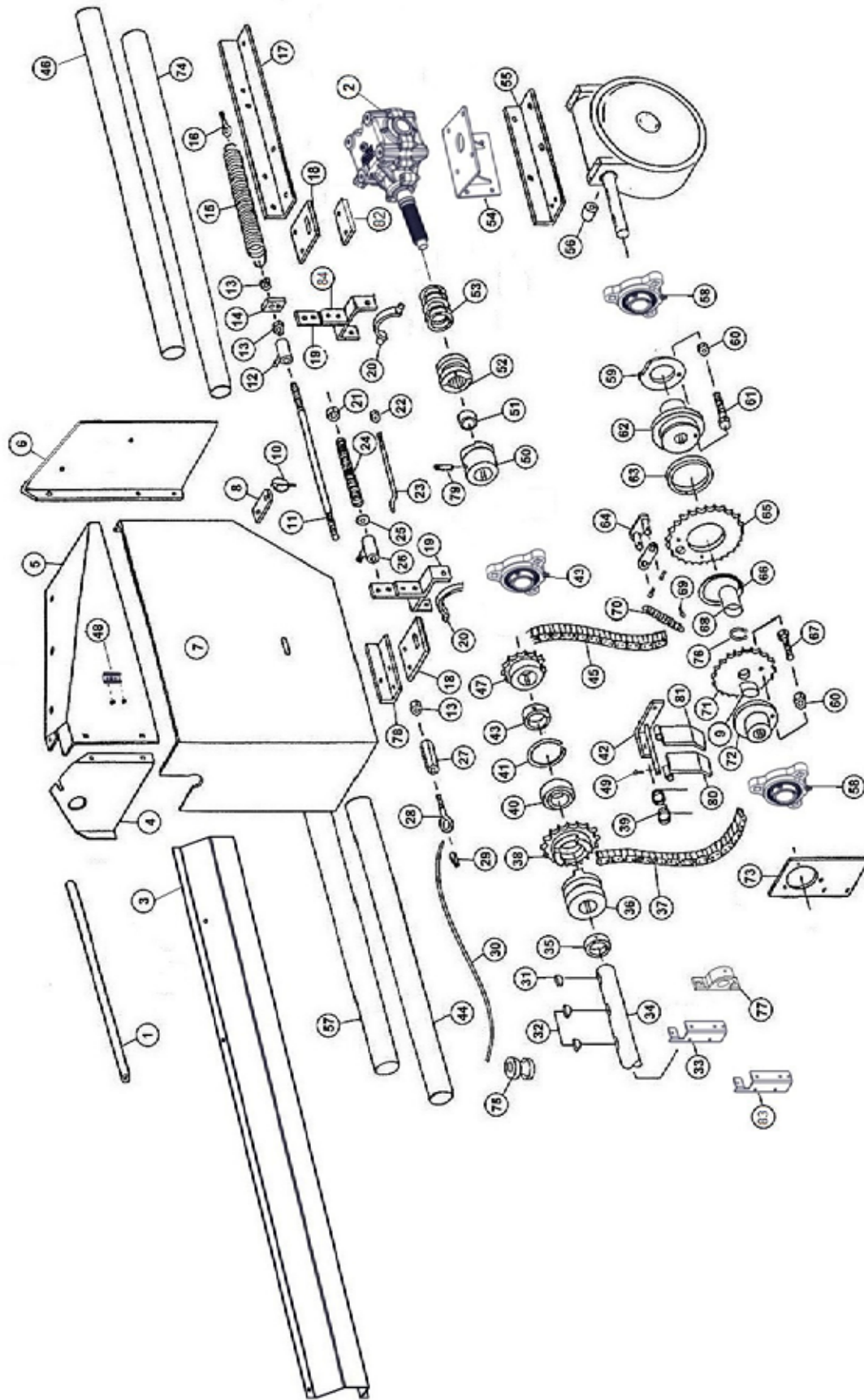


FIGURE 4

BACK SHIELDS & DRIVE ASSEMBLY

<u>ITEM</u>	<u>QTY</u>	<u>PART#</u>	<u>DESCRIPTION</u>
1	1	23N200	CABLE GUARD
2	1	85385	GEAR BOX
3	1	86123B	SIDE SHIELD
4	1	86108	SHIELD
5	1	86114	BACK SHIELD TOP
6	1	86109	BACK SHIELD
7	1	86103B	COVER
8	1	86101	SHIELD BRACKET
9	1	56027	BUSHING
10	1	S122	LYNCH PIN W/CABLE
11	1	23N205	CLUTCH ROD
12	1	23N206	SHIFTING ROD BRACKET
13	3	YNHX12005	NUT HEX, 3/8
14	1	23N207	SPRING BRACKET
15	1	K103	SPRING
16	1	YBTE08005	TURNED EYE BOLT, 1/4 X 1 FULL THREAD
17	1	85010	TOP ANGLE
18	2	85006	SHIFTER BRACKET
19	2	D57A	BEATER CLUTCH
20	2	23N208	YOKE W/ ZERK
21	1	23N209	COLLAR
22	1	YNTL08005	NUT HEX, TOP LOCK, 1/4
23	1	23N210	SHIFTING ROD
24	1	23N211	SPRING BRACKET
25	1	YWFL12005	WASHER FLAT, 3/8 USS
26	1	23N206	ROD BRACKET
27	1	23N212	COUPLING NUT
28	1	YBTE12005	TURNED EYE BOLT, 3/8 X 1
29	1	ES14	CABLE LOOP
30	1	31N27	CABLE
31	1	5B9	WOODRUFF KEY, 3/8 X 1-1/4
32	2	5B10	WOODRUFF KEY, 1/4 X 1
33	1	86104	SIDE BEARING BRACKET
34	1	37N58	SIDE SHAFT
35	1	F6	COLLAR
36	1	23N215	CLUTCH THROW-OUT
37	1	23N93	CHAIN (#50 60 PITCHES)
38	1	23N216	CLUTCH SPROCKET
*	1	61138	INCLUDES (SPROCKET,BEARING,SNAP RING)
39	1	31N33	SPRING TIGHTENER
40	1	BFR525	BEARING
41	1	3G19	SNAP RING
42	1	31N36	TIGHTENER BRACKET
43	2	80662	BEARING
44	1	31N45	#1 SIDE SHAFT GUARD

***MEANS NOT SHOWN**

FIGURE 4 BACK SHIELDS & DRIVE ASSEMBLY

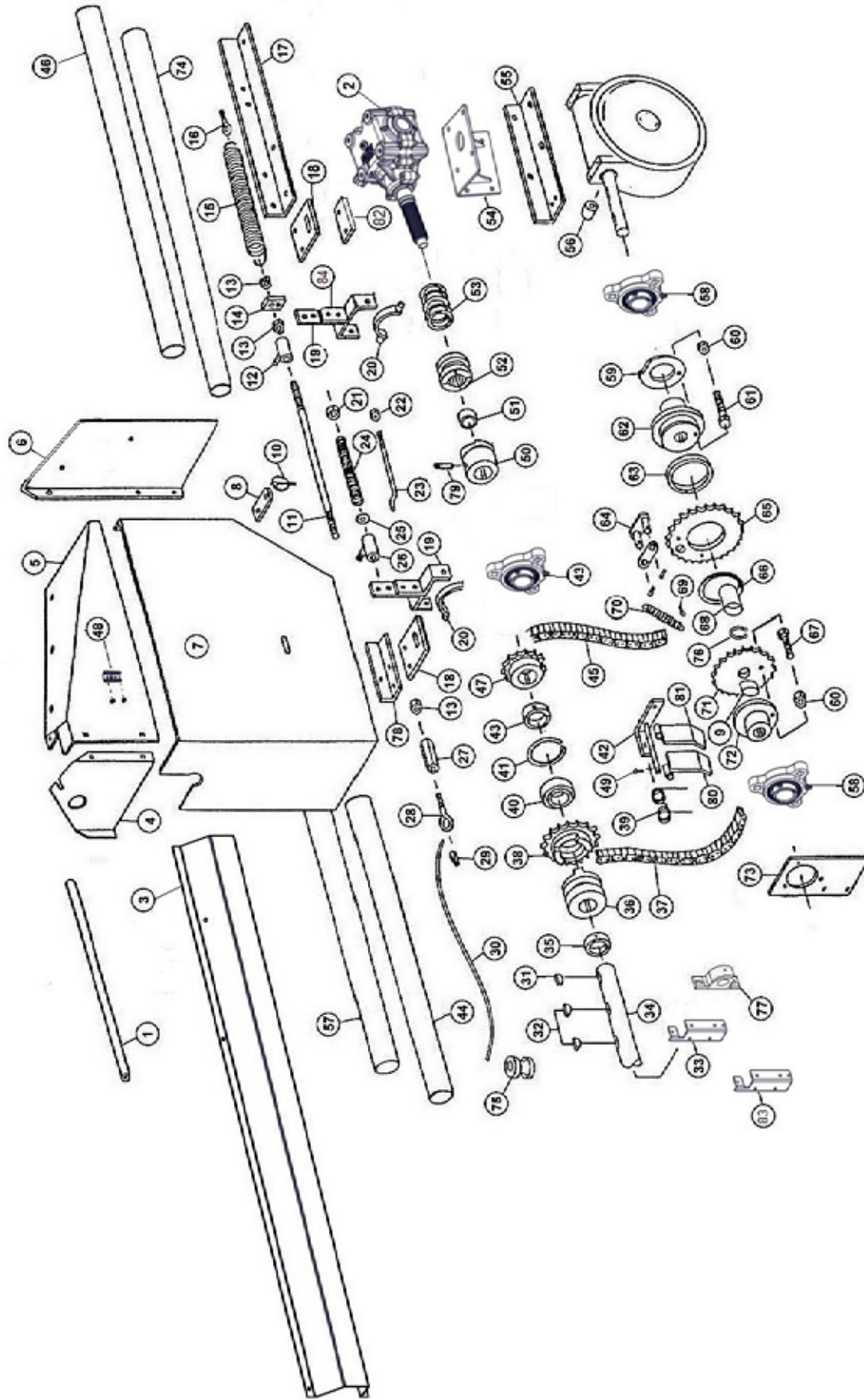


FIGURE 4

BACK SHIELDS & DRIVE ASSEMBLY

<u>ITEM</u>	<u>QTY</u>	<u>PART#</u>	<u>DESCRIPTION</u>
45	1	23N93	CHAIN (#50 60 PITCHES)
46	1	60643	#4 SIDE SHAFT GUARD
*	1	56036	SPROCKET BUSHING
47	1	10R11	SPROCKET (13T)
48	1	F97	SMV BRACKET
49	1	YPCT04005	COTTER PIN, 1/8 X 1
*	1	X60	OFFSET LINK (#50)
*	1	X61	CONNECTOR (#50)
*	1	31N38	CHAIN TIGHTENER ASSEMBLY
50	1	23N241	CLUTCH
51	1	D68	BRONZE BUSHING
52	1	23N90	CLUTCH
53	1	23N89	SPRING
54	1	85205	GEARBOX BOTTOM BRACKET
55	2	23N95	WORM BOX HOLDER
56	1	85157	SIDE SHIELD
57	2	31N44	#2 SIDE SHAFT GUARD
58	1	80530	BEARING W/ SETSCREWS
59	1	23N222	SHEAR PLATE
60	1	YNTL08005	NUT HEX, TOP LOCK, 1/4
61	1	YBHH08035	BOLT HEX, 1/4 X 1-1/4 G5
62	1	23N224	SHEAR HUB
63	1	23N225	BUSHING, BRONZE
64	1	60531	CONNECTOR LINK W/ PINS
*	1	74381	SPROCKET
65	1	23N226	SPROCKET W/BUSHING
66	1	23N227	SNAP RING
67	1	YBHH08035	BOLT HEX, 1/4 X 1-1/4 G5
68	1	56029	SPACER
69	1	YPCT04005	COTTER PIN, 1/8 X 1
70	1	23N229	DOG SPRING
71	1	56036	SPROCKET W/ BUSHING
72	1	56025	SHEAR HUB
73	1	23N230	BEARING PANEL
74	1	31N46	SIDE SHAFT GUARD CABLE
75	1	F33	GUIDE
76	1	56024	EXTERNAL SNAP RING 1-1/2
77	1	12N36	PILLOW BLOCK BEARING, 1-1/4
78	1	23N239	SHIFTER SUPPORT
79	1	YSFD12005	SET SCREW, 3/8X 3/4
80	1	31N34	TIGHTENER BAR LH
81	1	31N35	TIGHTENER BAR RH
82	1	86707	SHIFTER BRACKET SPACER
83	2	86291	SHIELD BRACKET
84	2	D57B	BEATER CLUTCH SHORT

*MEANS NOT SHOWN

FIGURE 5 HYDRAULIC ENDGATE ASSEMBLY

<u>ITEM</u>	<u>QTY</u>	<u>PART#</u>	<u>DESCRIPTION</u>
1	1	37N34	TAILGATE FRAME
2	1	37N35	SIDE RUBBER RH
3	1	37N36	SIDE RUBBER LH
4	1	43N5	BACK EXTENSION
5	1	37N69A	TAILGATE PLYWOOD W/FIBERGLASS
6	1	43N6	EXTENSION ANGLE
7	2	23N104	TAILGATE CORNER
8	1	23N105	BOTTOM RUBBER
9	2	23N67	HOSE BRACKET
10	1	K132	SPACER
11	1	23N107	CYLINDER PIN
12	1	YPCT07005	COTTER PIN, 7/32 X 2
13	2	YPEX10015	EXPANSION PIN, 5/16 X 1-3/4
14	2	23N109	SPACER
15	1	23N110	TAILGATE MOUNT RH
16	1	23N111A	HYDRAULIC CYLINDER
*	1	56015	HYDRAULIC CYLINDER (2 x 16)
17	1	37N59	TAILGATE BRACE LH
18	2	37N60	HYD HOSE, 96
19	1	37N61	HYD HOSE, 138
20	1	23N115	TAILGATE MOUNT LH
21	2	23N116	TEE
22	1	23N117	HOSE HOLDER
23	2	37N83	HYD HOSE, 6 X 328
24	1	23N163	TAILGATE POLY HOLD DOWN
25	2	23N232	TAILGATE BRACKET BRACE
26	1	37N62	TAILGATE BRACKET BRACE
27	1	23N234	FITTING, 90, 3/8NPT
28	1	12V3	SELF TAPPING BOLT
29	1	23N301	CYLINDER PIN
30	2	DWM205	MALE QUICK COUPLER

***MEANS NOT SHOWN**

FIGURE 6 **APRON CHAIN ASSEMBLY**

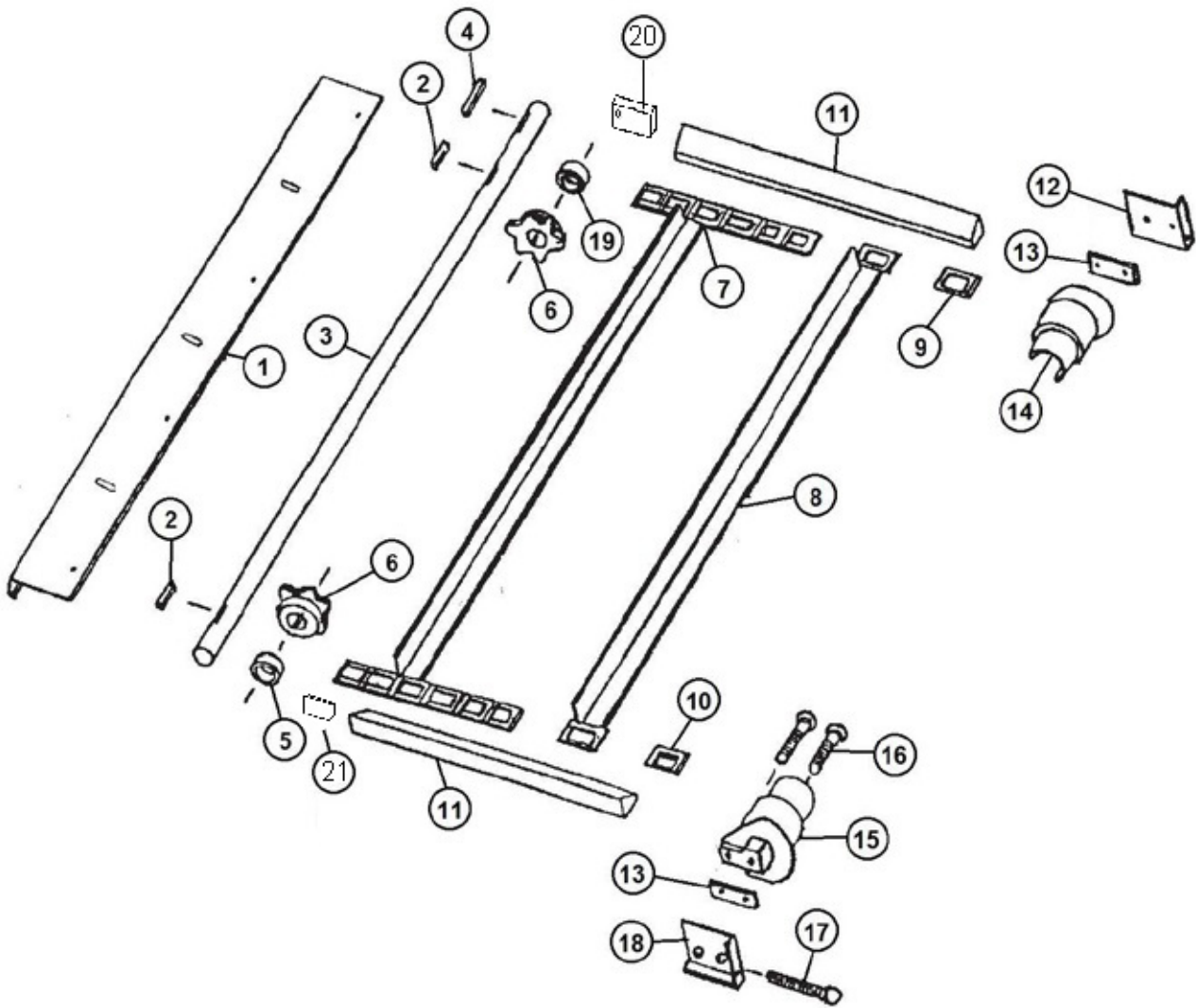


FIGURE 6

APRON CHAIN ASSEMBLY

<u>ITEM</u>	<u>QTY</u>	<u>PART#</u>	<u>DESCRIPTION</u>
1	1	37N82	DRIVE SHAFT SHIELD
2	2	23N303	SQUARE KEY, 3/8 X 1-3/4
3	1	27N19	DRIVE SHAFT
4	1	S138	SQ. KEY W/ROUND ENDS, 3/8 X 2-3/8
5	1	23N121	SPACER, 5/8
6	2	23N122	DRIVE SPROCKET (6T)
7	1	37N42	APRON CHAIN 28 SLATS, 280 LINKS
8	1	23N124	SLAT W/ATTACHMENT LINKS
9	1	S55	T-ROD STANDARD LINK
10	1	S55	T-ROD STANDARD LINK
11	2	37N43	APRON CHAIN SIDE SPACERS
12	1	A30	CHAIN SLIDE PLATE LH
13	2	23N126	CHAIN SLIDE SPACER
14	1	23N127	T-ROD SLIDE LH
15	1	23N128	T-ROD SLIDE RH
16	2	YBCR16045	BOLT CARRIAGE, 1/2 X 4 G5
17	1	YBHH16145	BOLT HEX, 1/2 X 4-1/2 G5
18	1	A29	CHAIN SLIDE PLATE RH
19	1	23N266	SPACER, 5/16
20	1	75563	SPACER BLOCK W/HOLE LH
21	1	75562	SPACER BLOCK W/O HOLE RH

FIGURE 7 OPTIONAL HYDRAULIC DRIVE ASSEMBLY

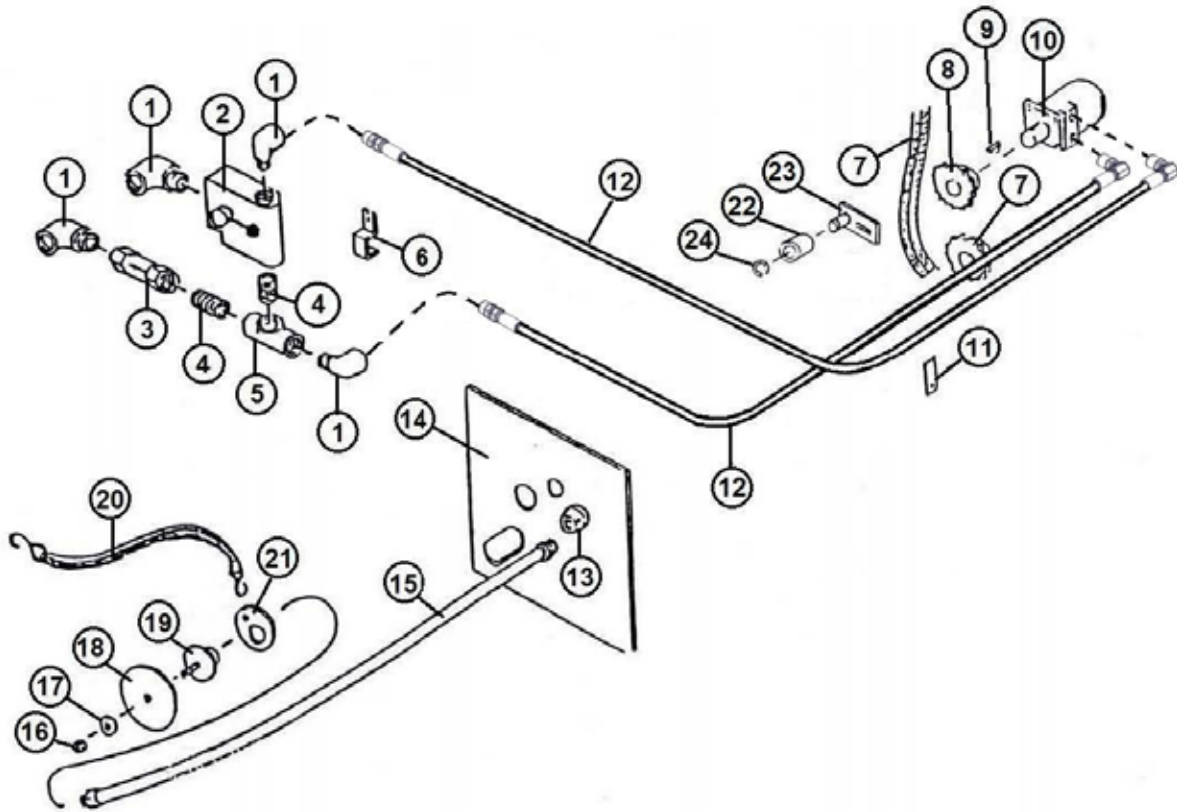


FIGURE 7

OPTIONAL HYDRAULIC DRIVE ASSEMBLY

<u>ITEM</u>	<u>QTY</u>	<u>PART#</u>	<u>DESCRIPTION</u>
1	4	HE58	FIT 90, 1/2NPT X 1/2NPT
2	1	DF15A	SPEED CONTROL
3	1	DF18	CHECK VALVE
4	2	DF7	FIT STRAIGHT, 1/2NPT X 1/2NPT
5	1	DF8	FIT TEE, 1/2NPT X 1/2NPT X 1/2NPT
6	1	HE14	PIPE BRACKET
7	1	23N131	ROLLAR CHAIN, (#50, 40 PITCHES)
8	1	11S19	SINGLE SPROCKET (20T)
9	1	5B10	WOODRUFF KEY
10	1	DF1	HYD MOTOR
11	1	23N117	HOSE HOLDER
12	2	77330	HYD HOSE, 224
13	1	DF21	REDUCER
14	1	23N133	CONTROL PANEL
15	1	DF9	HYD HOSE, 72
16	1	YNTL12005	NUT HEX, 3/8
17	1	DF12	SPACER
18	1	DF11	CONTROL HANDLE
19	1	DF10	HANDLE BRACKET
20	1	DF14	STRAP
21	1	DF22	RING FOR STRAP
22	1	23N238	CHAIN TIGHTENER ROLLER
23	1	L10R35	CHAIN TIGHTENER
24	1	10R32	SNAP RING

FIGURE 8
WORM GEARBOX ASSEMBLY

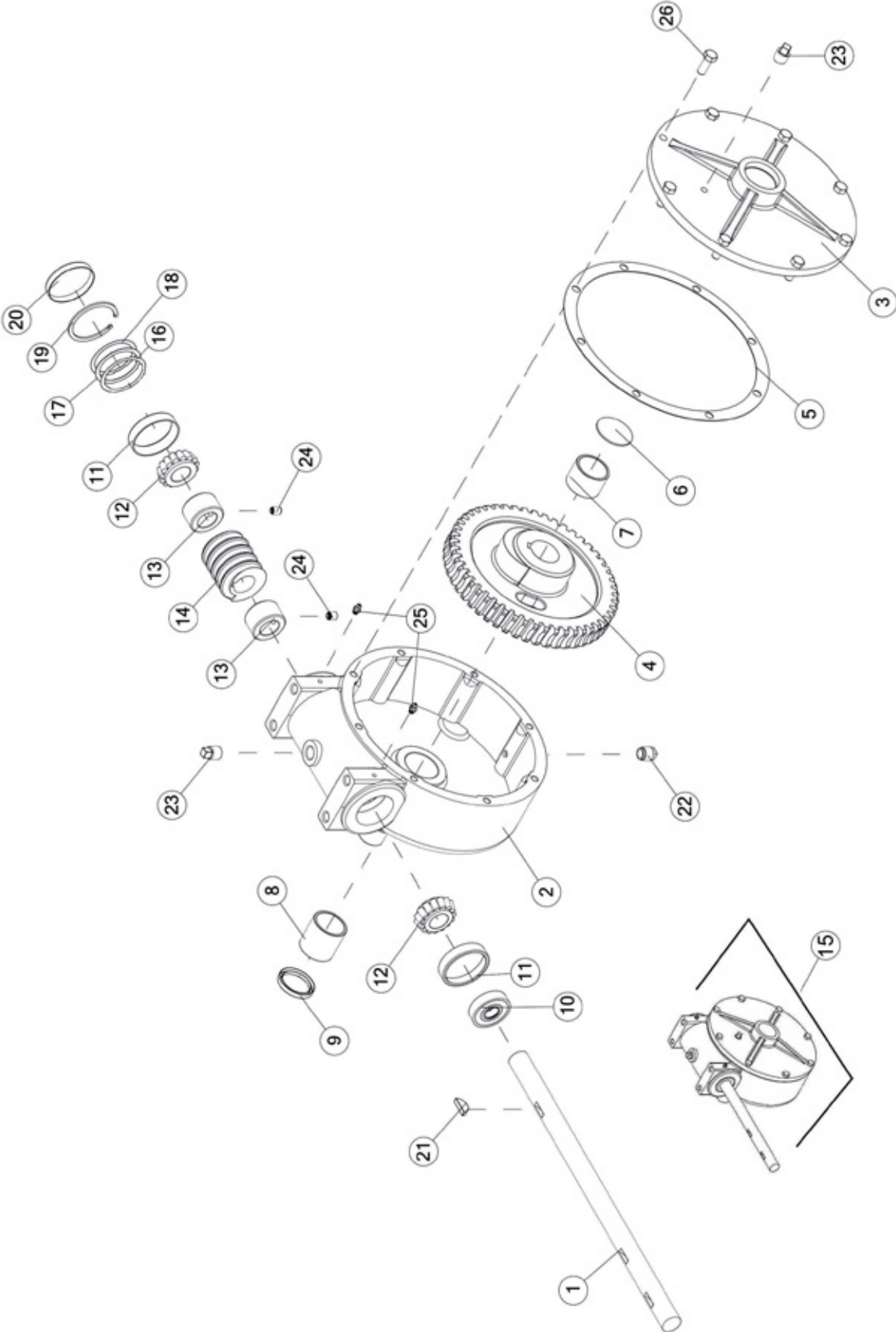


FIGURE 8

WORM GEARBOX ASSEMBLY

<u>ITEM</u>	<u>QTY</u>	<u>PART#</u>	<u>DESCRIPTION</u>
1	1	23N236	WORM GEAR SHAFT
2	1	G114	GEAR BOX HOUSING
3	1	G116	WORM GEAR BOX COVER
4	1	G77	WORM GEAR ASSEMBLY
5	1	G88	GASKET
6	1	G117	FROST PLUG, 1-7/8
7	1	X75	BEARING OIL 1-1/2 X 1-3/4 X 1/4
8	1	X8	BUSHING, 1-3/4 OD X 1-1/2 ID X 1-3/4 LONG
9	1	17G133	SEAL
10	1	G123	OIL SEAL
11	2	12N19	INNER RACE
12	2	3G7	TAPER BEARING
13	2	X9	SPACER
14	1	G76	WORM
15	1	G122	WORM GEAR BOX
16	1	59249	SHIM
17	1	59250	SHIM
18	1	58748	SHIM
19	1	3G19	SNAP RING INTERNAL
20	1	G90	CAP
21	1	5B10	WOODRUFF KEY, 1/4 X 1
22	1	3G20	PLASTIC PIPE PLUG, 3/8
23	2	G65	PLUG PIPE, 3/8 NPT
24	1	YSKP12010	SSCREW SOCKET HEAD, 3/8 X 1/2
25	2	G89	STRAIGHT ZERK, 1/4
26	8	YBHH12010	BOLT HEX, 3/8 X 1 G5

***MEANS NOT SHOWN**

FIGURE 9 BEVEL GEARBOX

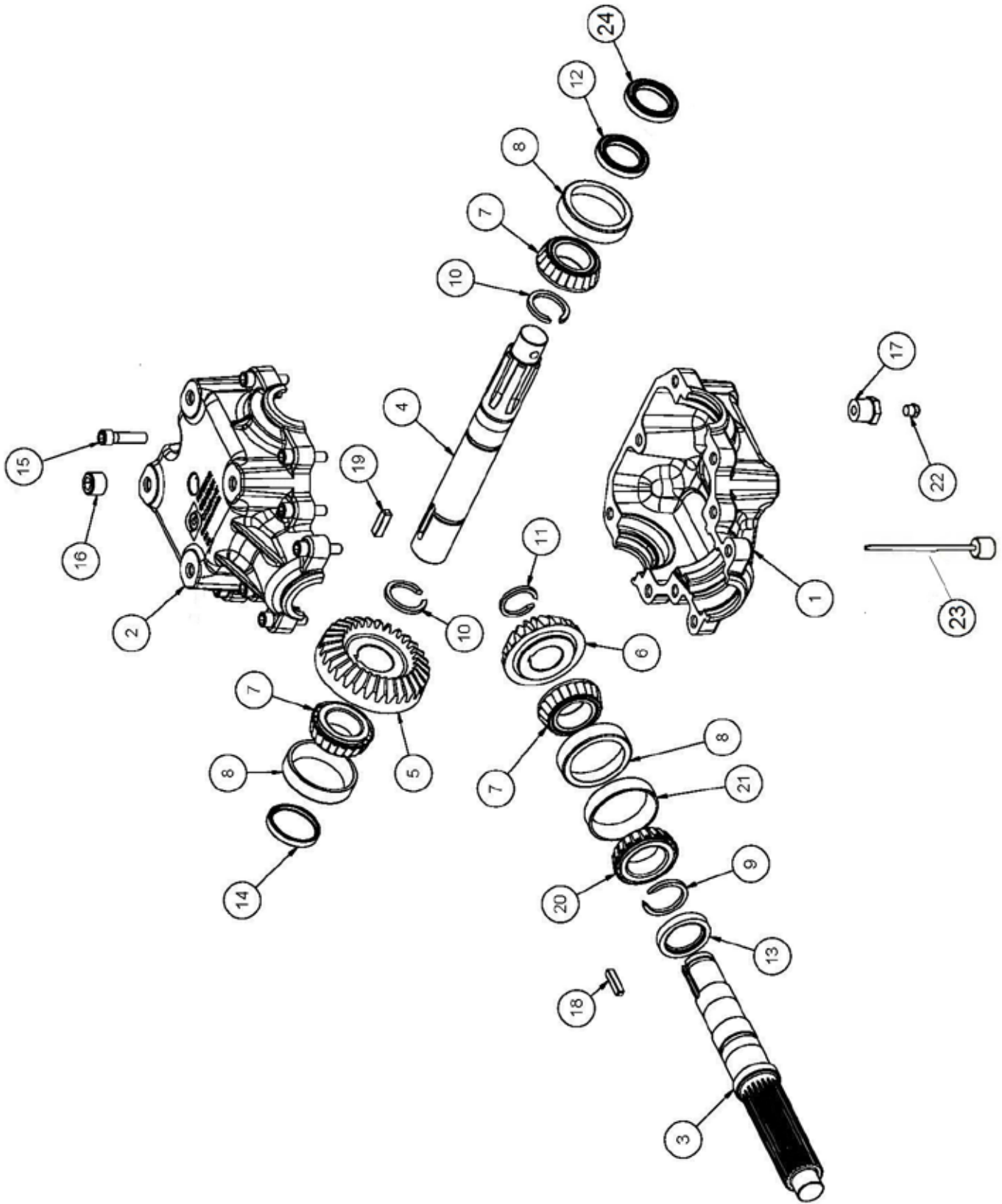


FIGURE 9 BEVEL GEARBOX

<u>ITEM</u>	<u>QTY</u>	<u>PART#</u>	<u>DESCRIPTION</u>
1	1	87116	BOTTOM HOUSING
2	1	86140	TOP HOUSING
3	1	86141	SHAFT
4	1	86142	SHAFT
5	1	86143	GEAR
6	1	86144	GEAR
7	3	86145	BEARING CONE
8	3	86146	BEARING CUP
9	1	86147	RETAINING RING
10	2	86148	RETAINING RING
11	1	86149	RETAINING RING
12	1	18VB26	SEAL
13	1	18VB34	SEAL
14	1	86150	SEAL
15	4	YSHS12008	BOLT, SOCKET, 3/8-16X1-1/2 G8
16	1	HGV95	PLUG 1/2-14
17	1	SD133	BUSHING
18	1	86152	KEY
19	1	86153	KEY
20	1	86154	BEARING CONE
21	1	86155	BEARING CUP
22	1	86156	PLUG 1/8-27
*	1	85385	COMPLETE GEARBOX
23	1	87117	DIPSTICK
24	1	90071	STEEL SHAFT SEAL

***MEANS NOT SHOWN**

FIGURE 10 HYDRAULIC CYLINDER

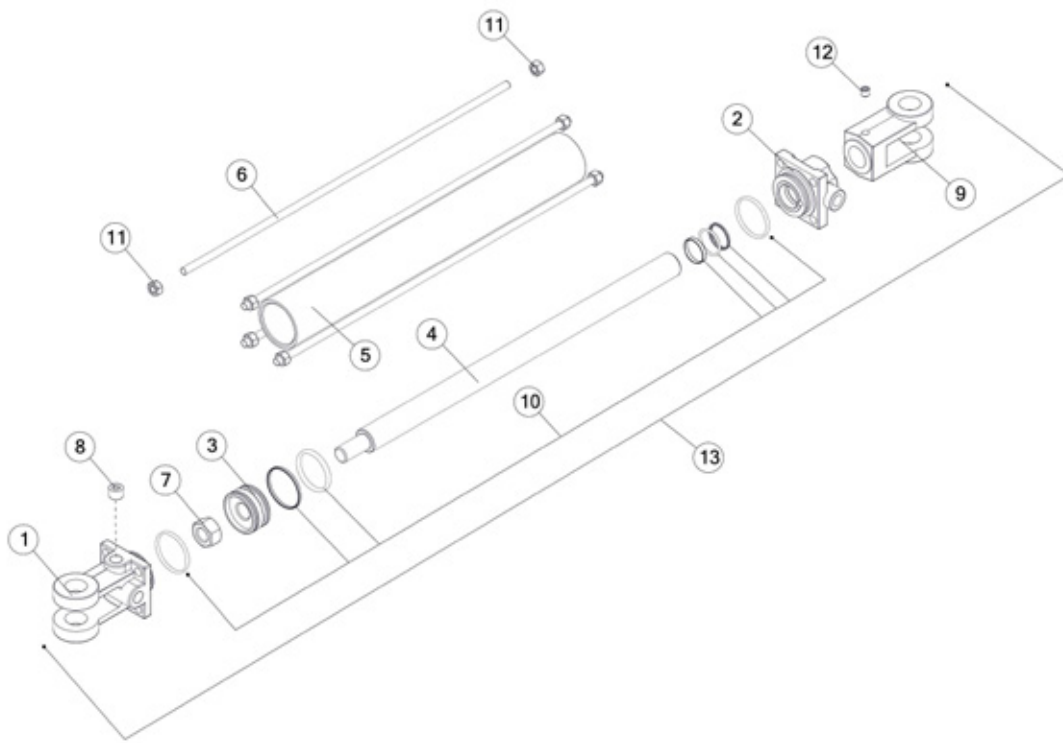


FIGURE 10 HYDRAULIC CYLINDER

<u>ITEM</u>	<u>QTY</u>	<u>PART#</u>	<u>DESCRIPTION</u>
1	1	23N142A	CLEVIS CAP FOR 2 IN CYLINDER
2	1	56174	ROD CAP
3	1	56180	PISTON FOR 2 IN CYLINDER
4	1	23N145A	ROD
5	1	23N146	CYLINDER TUBE
6	4	23N147	SHAFT
7	1	23N148	PISTON NUT
8	1	23N149	PLUG
9	1	23N150A	ROD CLEVIS
10	1	56187	SEAL KIT FOR 2 IN CYLINDER
11	8	YNHX12006	NUT HEX, 3/8 G2
12	1	YSSO12015	SET SCREW SOCKET, 3/8 X 3/8
13	1	56015	HYDRAULIC CYLINDER (2 X 16)

FIGURE 11 PTO ASSEMBLY

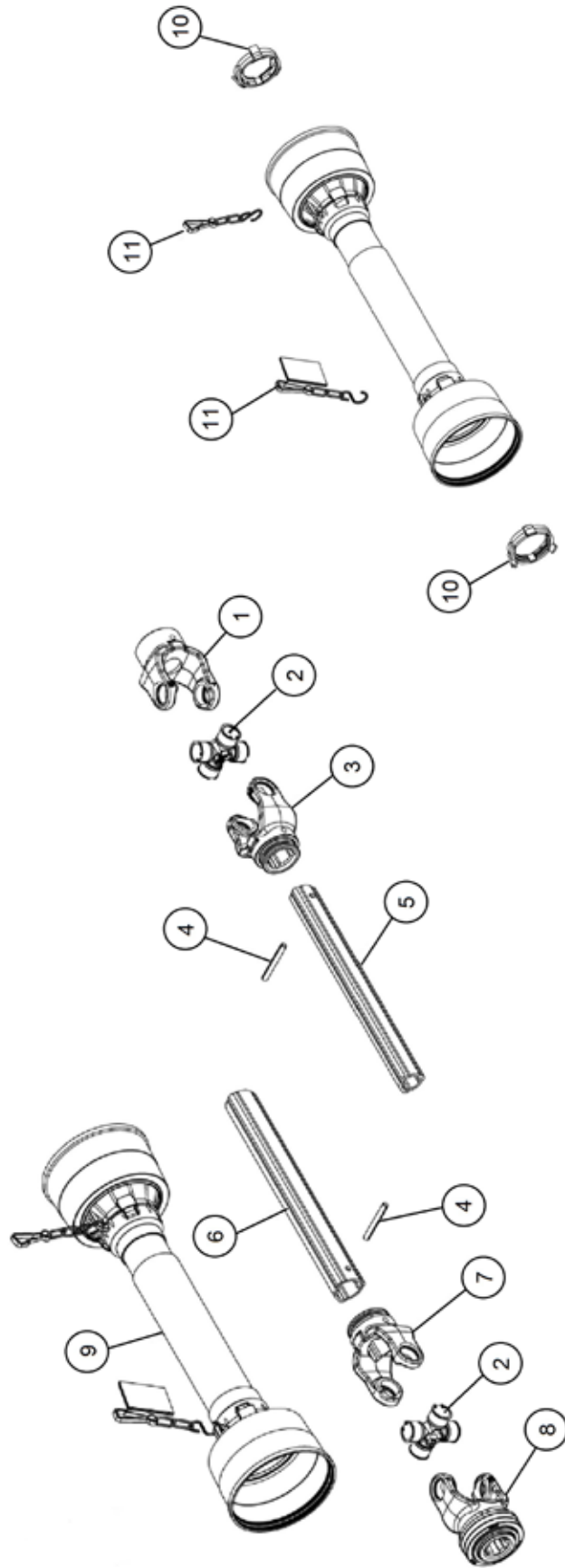


FIGURE 11

PTO ASSEMBLY

<u>ITEM</u>	<u>QTY</u>	<u>PART#</u>	<u>DESCRIPTION</u>
1	1	84671	YOKE W/BORE
2	2	87700	JOINT, UNIVERSAL
3	1	87698	YOKE, INNER
4	2	YPEX10250	EXPANSION PIN, 5/16 X 2-1/2
5	1	87882	TUBE
6	1	87699	TUBE
7	1	87884	YOKE, OUTER
8	1	87701	YOKE, END
9	1	87696	SAFETY GUARD GROUP
10	2	89228	RETAINERS
11	2	89227	CHAIN
*	1	23N152Z	COMPLETE PTO ASSEMBLY

***MEANS NOT SHOWN**

FIGURE 12
PTO ASSEMBLY (1000RPM)

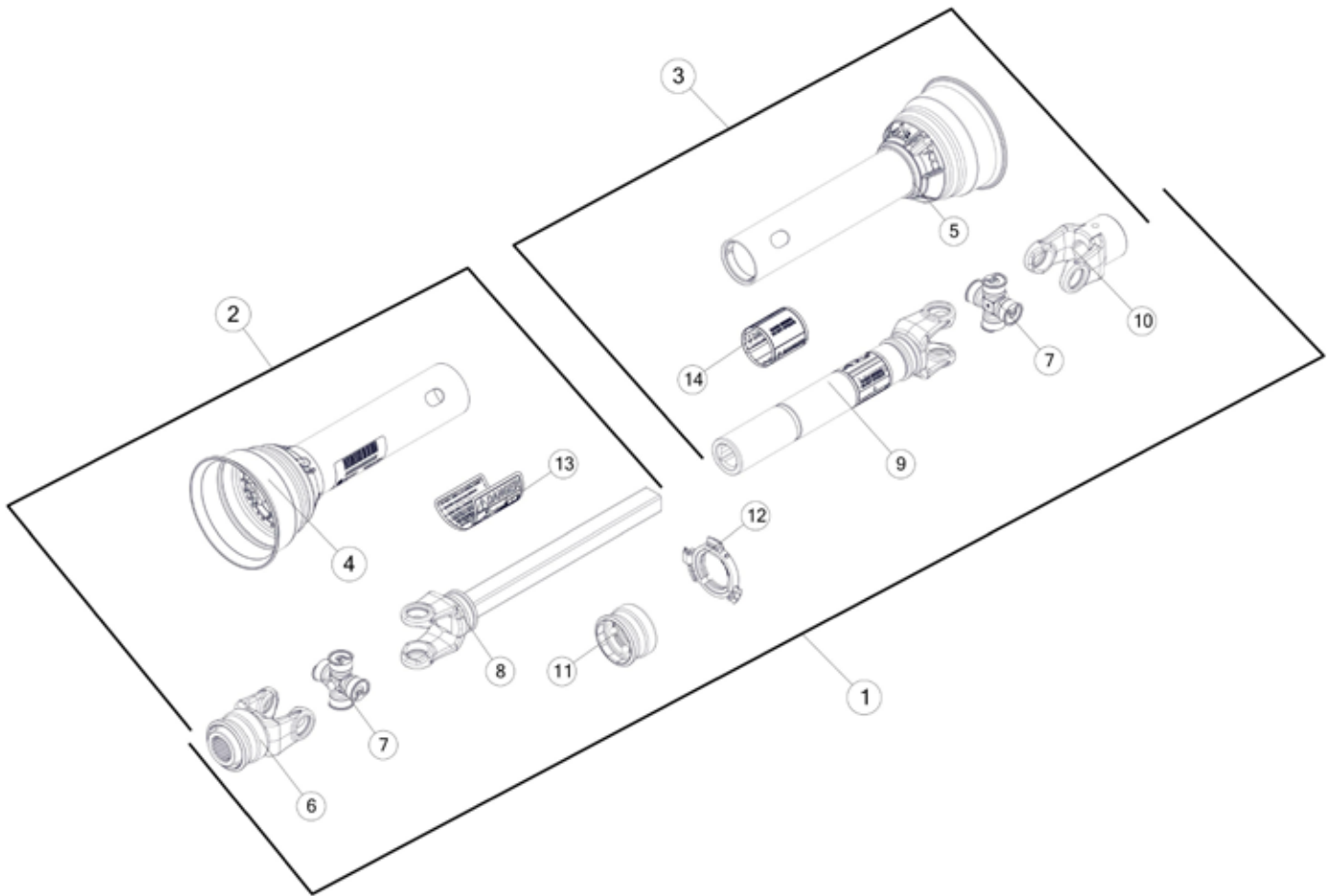


FIGURE 12
PTO ASSEMBLY (1000RPM)

<u>ITEM</u>	<u>QTY</u>	<u>PART#</u>	<u>DESCRIPTION</u>
1	1	23N313	COMPLETE PTO
2	1	23N314	TRACTOR HALF W/SHIELD
3	1	23N153	MACHINE HALF PTO W/SHIELD
4	1	55864	OUTER GUARD
5	1	23N156	INNER GUARD
6	1	37N73	1000 RPM YOKE
7	2	14NW	14R CROSS & BEARING KIT
8	1	23N159	YOKE AND SHAFT
9	1	23N155	YOKE AND TUBE
10	1	G1R35	YOKE 1-1/4
11	1	S225	SPRING-LOK REPAIR KIT
12	1	55861	GUARD REPAIR KIT
*	1	S402	ADMA SAFETY MANUAL

***MEANS NOT SHOWN**

FIGURE 13

OPTIONAL 2ND BEATER LH

<u>ITEM</u>	<u>QTY</u>	<u>PART#</u>	<u>DESCRIPTION</u>
1	1	80724	SECOND BEATER
2	1	80723	STUB SHAFT, RH
3	1	81467	FRONT SHIELD WITH DECAL
4	1	81471	BEATER SHIELD WITH DECALS
5	1	81465	BACK SHIELD WITH DECAL
6	1	80755	BEATER PANEL, RH
7	1	80898	SPROCKET, 20T
8	1	D23	SPROCKET, 16T
9	1	12N42	IDLER SPROCKET,15T
10	1	80728	SPRING TENSIONER ARM
11	1	80152	SPRING TENSIONER BRKT
12	1	80725	BEATER BEARING
13	1	ST36	TENSION SPRING
14	1	YBTE10039	BOLT TURNED EYE, 5/16 X 4
15	1	S122	LANYARD CLIP PIN CABLE
16	1	37N49	ROLLER CHAIN #60
17	1	5B9	KEY
18	1	A32	SQUARE KEY
19	1	RG21	GREASE ZERK, 45 DEGREE
20	1	YPEX08010	EXPANSION PIN, 1/4 X 1-1/4
21	4	YSKP12035	SETSCREW, 3/8 X 3/4
22	6	YBCR12010	BOLT CARR, 3/8 X 1 G5
23	1	YBCR16025	BOLT CARRIAGE, 1/2 X 2-1/2 G2
24	3	YBFB12003	BOLT FLANGE, 3/8 X 1 G5
25	3	YBFB12150	BOLT FLANGE, 3/8 X 1-1/2 G5
26	6	YWFL12005	WASHER FLAT, 3/8
27	1	YNFG10005	NUT FLANGE, 5/16 GF
28	12	YNFG12006	NUT FLANGE, 3/8 GF
29	1	YNFG16003	NUT FLANGE, 1/2 GF
30	4	YWFL14005	WASHER FLAT, 7/16
31	1	YNNY12005	NUT HEX, 3/8 LKNY G2
32	1	S246	SPACER

FIGURE 13 **OPTIONAL 2ND BEATER RH**

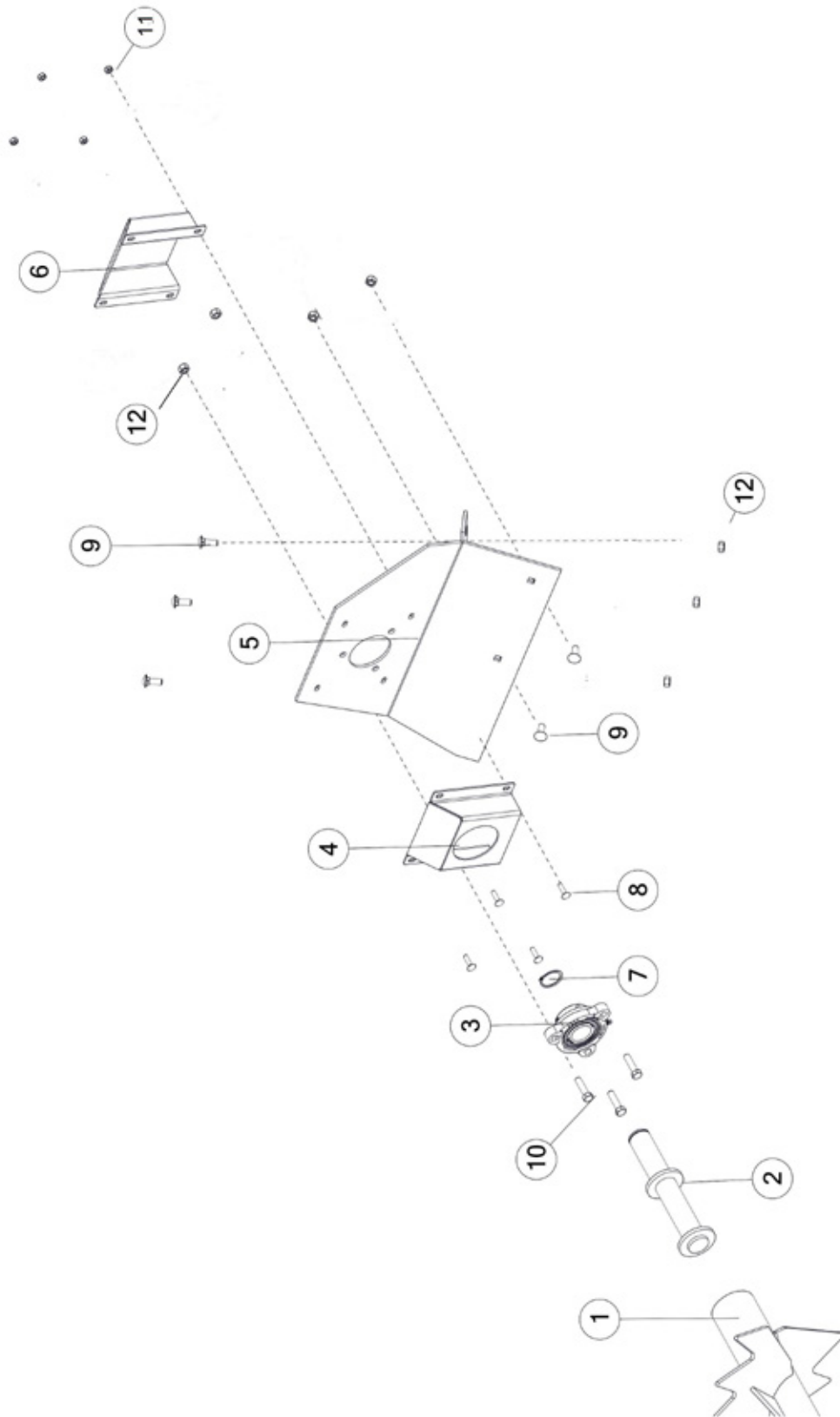


FIGURE 13
OPTIONAL 2ND BEATER RH

<u>ITEM</u>	<u>QTY</u>	<u>PART#</u>	<u>DESCRIPTION</u>
1	1	80724	SECOND BEATER
2	1	80721	STUB SHAFT LH
3	1	80725	BEATER BEARING
4	1	57216	BEATER BEARING PROTECTOR
5	1	80753	BEATER PANEL LH
6	1	87656	EXTERIOR BEATER BEARING PROTECTOR
7	1	81527	EXTERNAL SNAP RING 1-3/8
8	4	YBCR08005	BOLT CARR, 1/4 X 1 G5
9	5	YBCR12010	BOLT CARR, 3/8 X 1 G5
10	3	YBFB12150	BOLT FLANGE, 3/8 X 1-1/2 G5
11	4	YNFG08010	NUT FLANGE, 1/4 GF
12	8	YNFG12006	NUT FLANGE, 3/8 GF

FIGURE 14 **OPTIONAL ELECTRIC CONTROL FOR HYDRAULIC DRIVE**

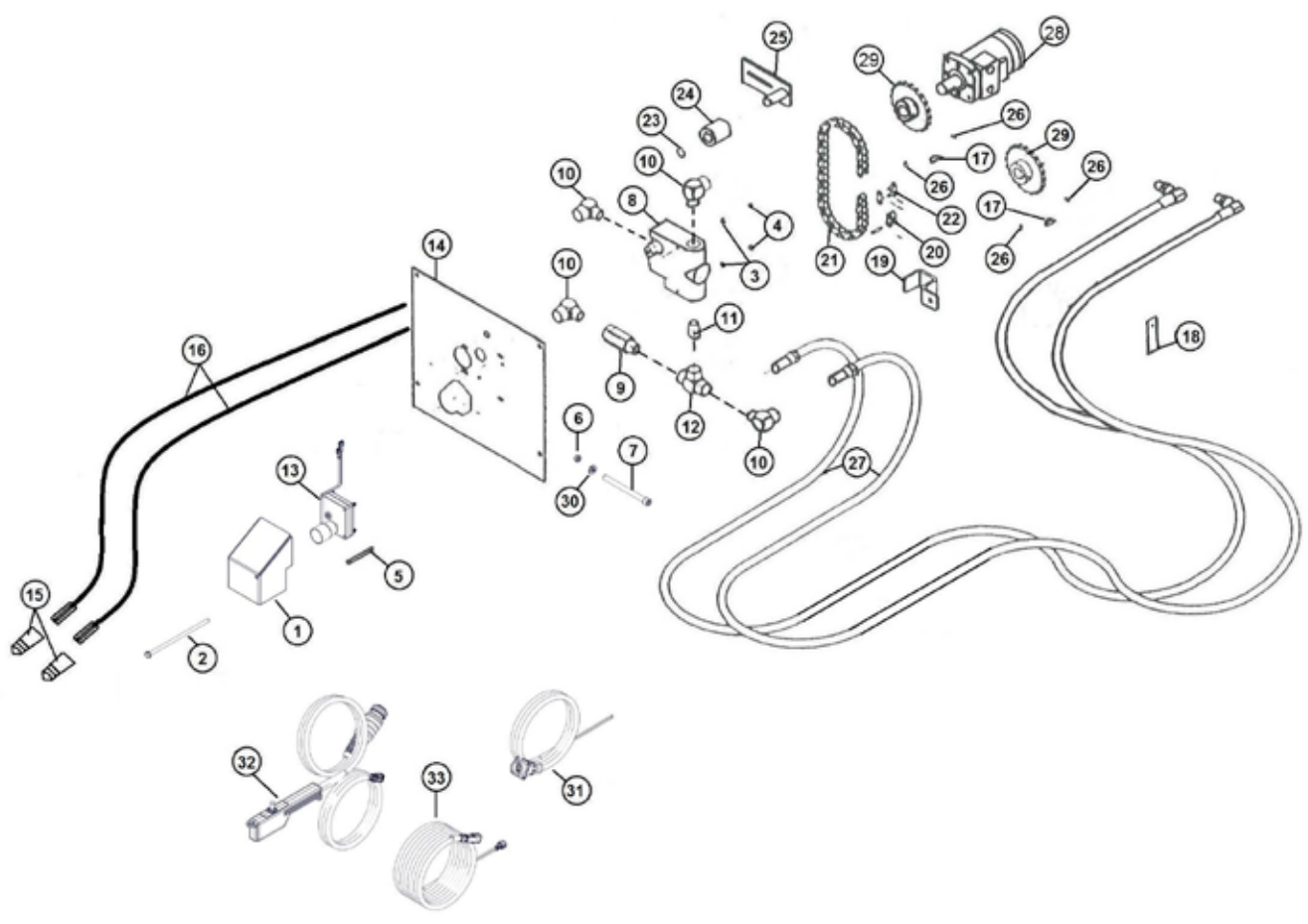


FIGURE 14

OPTIONAL ELECTRIC CONTROL FOR HYDRAULIC DRIVE

<u>ITEM</u>	<u>QTY</u>	<u>PART#</u>	<u>DESCRIPTION</u>
1	1	81058	MOTOR SHIELD HOLDER
2	1	YBHH08127	SHIELD BOLT
3	2	YWLO08005	WASHER LOCK, 1/4
4	2	YNTL08005	NUT HEX, 1/4 G2
5	2	YBCR08025	BOLT CARRIAGE, 1/4 X 2-1/2 G5
6	1	YNTL12005	NUT HEX, 3/8
7	1	YSHS12020	BOLT 3/8 X 4-1/2
8	1	DF15A	FLOW CONTROL
9	1	DF18	CHECK VALVE
10	4	HE58	FIT, 90, 1/2NPT X 1/2NPT
11	1	DF4	FIT, STRAIGHT, 1/2NPT X 1/2NPT
12	1	DF8	FIT, TEE, 1/2NPT X 1/2NPT X 1/2NPT
13	1	81270	GEAR MOTOR
14	1	23N133	CONTROL PANEL
15	2	DWM205	MALE QUICK COUPLER
16	2	23N309	HYD HOSE, 8 X 96
17	2	5B10	WOODRUFF KEY, 1/4 X 1
18	1	23N117	HOSE HOLDER
19	1	HE14	PIPE BRACKET
20	1	X60	OFFSET LINK (#50)
21	1	23N131	ROLLER CHAIN (#50, 40 PITCHES)
22	1	X61	CONNECTOR LINK (#50)
23	1	10R32	EXTERNAL SNAP RING
24	1	23N238	CHAIN TIGHTENER ROLLER
25	1	L10R35	TIGHTENER BRAKET
26	2	YSKP10010	SCREW, SOCKET HEAD 5/16 X 3/8
27	2	77330	HYD HOSE, 6, 224IN
28	1	DF1	HYDRAULIC MOTOR
29	1	11S19	DRIVE SPROCKET (20T)
30	1	YWLO12005	WASHER LOCK, 1/4
31	1	16SV269	TRACTOR CONTROL HARNESS
32	1	63365	HAND CONTROLLER
33	1	16SV272	POWER SUPPLY CABLE

FIGURE 15 **ELECTRIC CONTROL**

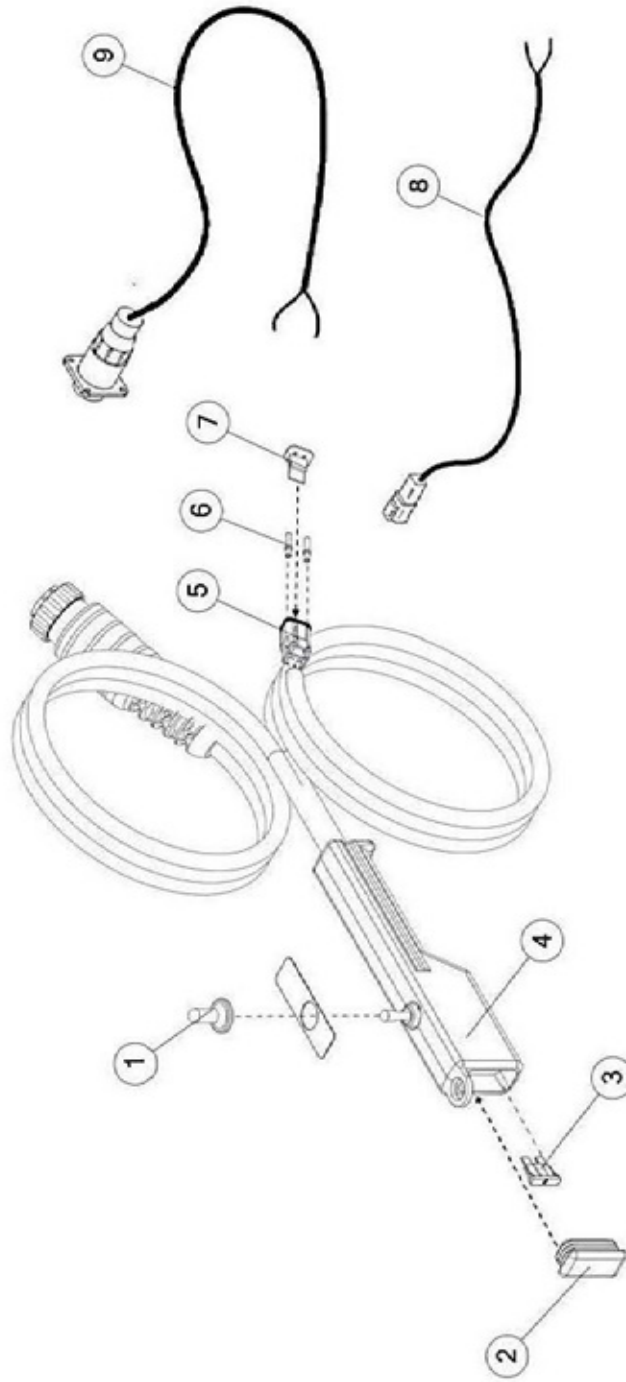


FIGURE 15
ELECTRIC CONTROL

<u>ITEM</u>	<u>QTY</u>	<u>PART#</u>	<u>DESCRIPTION</u>
1	1	16SV235	SWITCH BOOTS
2	1	61564	CAP
3	1	61597	FUSE, BLADE, 5AMP
4	1	63365	HAND CONTROLLER (ON-OFF-ON)
5	1	58790	DEUTSCH 2 PIN PLUG
6	2	56760	DEUTSCH SOCKET, SOLID, 14-16 GA.
7	1	58793	LOCKING WEDGE FOR DT06-2S CONNECTOR
8	1	56N134	SPREADER CONTROL CORD
9	1	16SV269	TRACTOR CONTROL CABLE

FIGURE 16 **OPTIONAL LIGHT KIT**

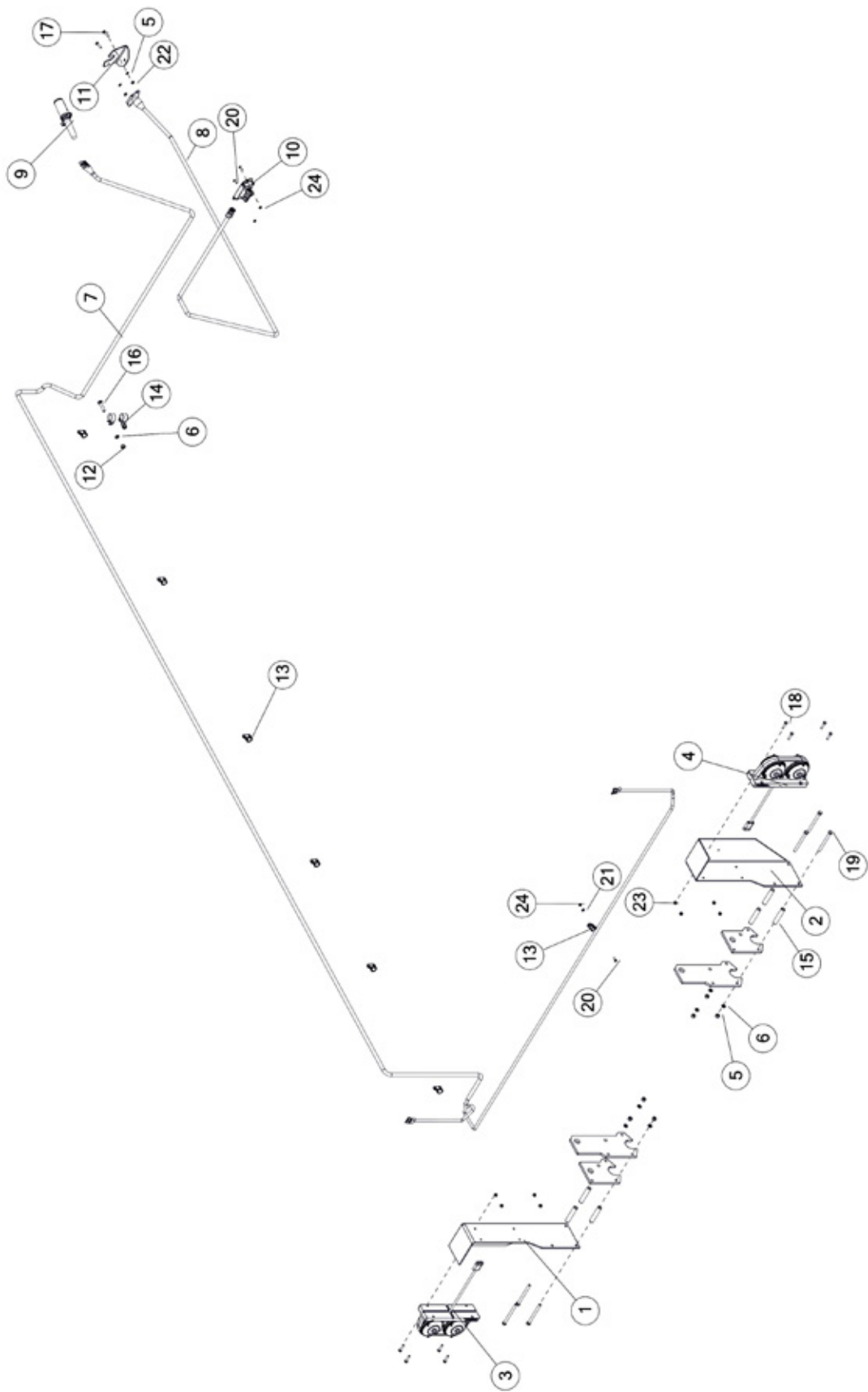


FIGURE 16

OPTIONAL LIGHT KIT

<u>ITEM</u>	<u>QTY</u>	<u>PART#</u>	<u>DESCRIPTION</u>
1	1	77918	LIGHT BRACKET LH
2	1	77922	LIGHT BRACKET RH
3	1	77923	TAIL LIGHT ASSY LH
4	1	77924	TAIL LIGHT ASSY RH
5	1	YNTL12005	NUT HEX, 3/8
6	2	YWLO12005	WASHER LOCK, 3/8
7	1	77975	ELEC HARNESS
8	1	79260	LIGHT HARNESS
9	1	TLPC	TRANSPORT LIGHT CORD
10	1	69908	MODULE CONTROL BLINKER
11	1	BFR659	LIGHT BRACKET
12	2	YNTL12005	NUT HEX, 3/8
13	5	HGV162	1/2 RUBBER WIRE HOLDER
14	2	HGV72	SMALL TUBE HOLDER SPACER
15	6	ST55	BOLT CARRIAGE, 3/8 X 2
16	2	YBCR12035	BOLT CARRIAGE, 1/4 X 1
17	2	YBHH08005	BOLT HEX, 1/4 X 1-1/4
18	8	YBHH08030	BOLT HEX, 3/8 X 4-1/2
19	8	YBHH12185	MACHINE SCREW #10-24 X 5/8
20	6	YSPN64005	RIVET
21	6	YMRV06015	WASHER, 3/16
22	2	YNHX08005	NUT HEX, 1/4
23	8	YNNY08005	NUT HEX, 1/4
24	8	YNNY64005	NUT HEX, #10-24
25	6	YNTL12005	NUT HEX, 3/8

H&S MFG. CO.

products approved

for the

FEMA

SEAL OF QUALITY

