

4124 CHASSIS



Revision #01
Starting Ser. #911CH24008

HSMFGC0419

PART#72823

Manufactured by
H&S MANUFACTURING CO., INC.
2608 S. HUME AVE. MARSHFIELD, WI 54449
(715) 387-3414 | hsmfgco.com



CONTENTS

Instructions for Ordering Parts - About Improvements	1
Figure 1 - Hitch Assembly	2-3
Figure 2 - Frame & Components	4-5
Figure 3 - Main Frame Slider	6-7
Figure 4 - Tandem & Hub Assembly	8-9
Figure 5 - Optional Tires	10-11
Figure 6 - Brake Hub Assembly (Optional)	12-13
Figure 7 - Brake Line Assembly (Optional)	14-15
Figure 8 - Brake Harness Assembly (Optional)	16-17
Figure 9 - Scale Mount Assembly	18-19
Figure 10 - Scale Display Assembly (Optional)	20-21
Parts Notes	22

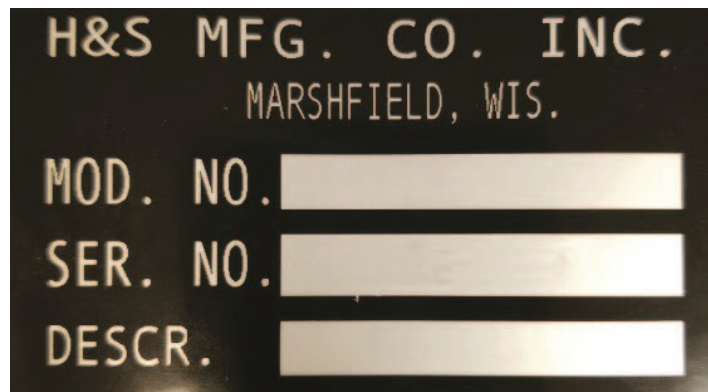
INSTRUCTIONS FOR ORDERING PARTS

All service parts should be ordered through your authorized H&S dealer. He will be able to give you faster service if you will provide them with the following:

1. Model & Serial Number - Both can be located on the center of the main front plate.
2. All references to left or right apply to the machine as viewed from the rear.
3. Parts should not be ordered from illustration only. Please order complete part number.
4. If your dealer has to order parts - give shipping instructions:

VIA truck - large pieces (please specify local truck lines)

VIA United Parcel Service (include full address)



PLEASE RECORD NUMBERS FOR YOUR UNIT FOR QUICK REFERENCE

ABOUT IMPROVEMENTS

H&S IS CONTINUALLY STRIVING TO IMPROVE IT'S PRODUCTS

We must therefore, reserve the right to make improvements or changes whenever it becomes practical to do so, without incurring any obligation to make changes or additions to the equipment previously sold.

FIGURE 1
HITCH ASSEMBLY

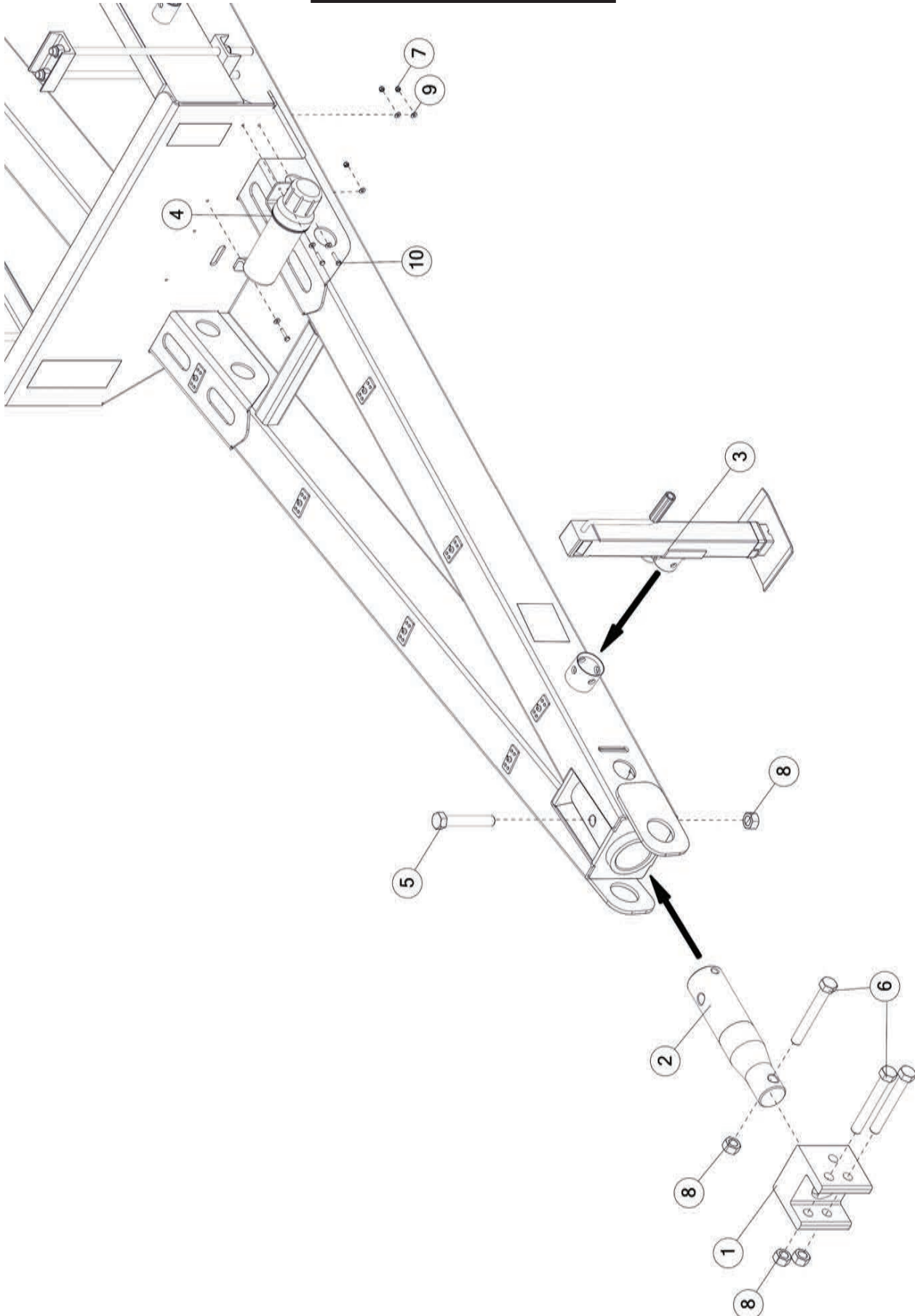


FIGURE 1 HITCH ASSEMBLY

<u>ITEM</u>	<u>QTY</u>	<u>PART#</u>	<u>DESCRIPTION</u>
1	1	APX3HF41	HITCH ADAPTER
*	1	HTCHC	CLEVIS HITCH
*	1	HTCHP	PINTLE HITCH
*	1	HTCHB	BULLNOSE HITCH
2	1	TS210	HITCH BAR
3	1	TS306	SQUARE JACK, 7000 LBS
4	1	S522	MANUAL HOLDER
5	1	YBHH32026	HEX BOLT, 1 X 6 G8
6	3	YBHH32034	HEX BOLT, 1 X 7-1/2 G8
7	3	YNNY08005	NUT HEX, NYLON LOCKNUT, 1/4
8	4	YNL32005	NUT HEX, TOP LOCK, 1
9	3	YWFL08010	WASHER FLAT, 1/4 G8
10	3	YBHH08035	HEX BOLT, 1/4 X 1-1/4 G5

*MEANS NOT SHOWN

FIGURE 2 FRAME & COMPONENTS

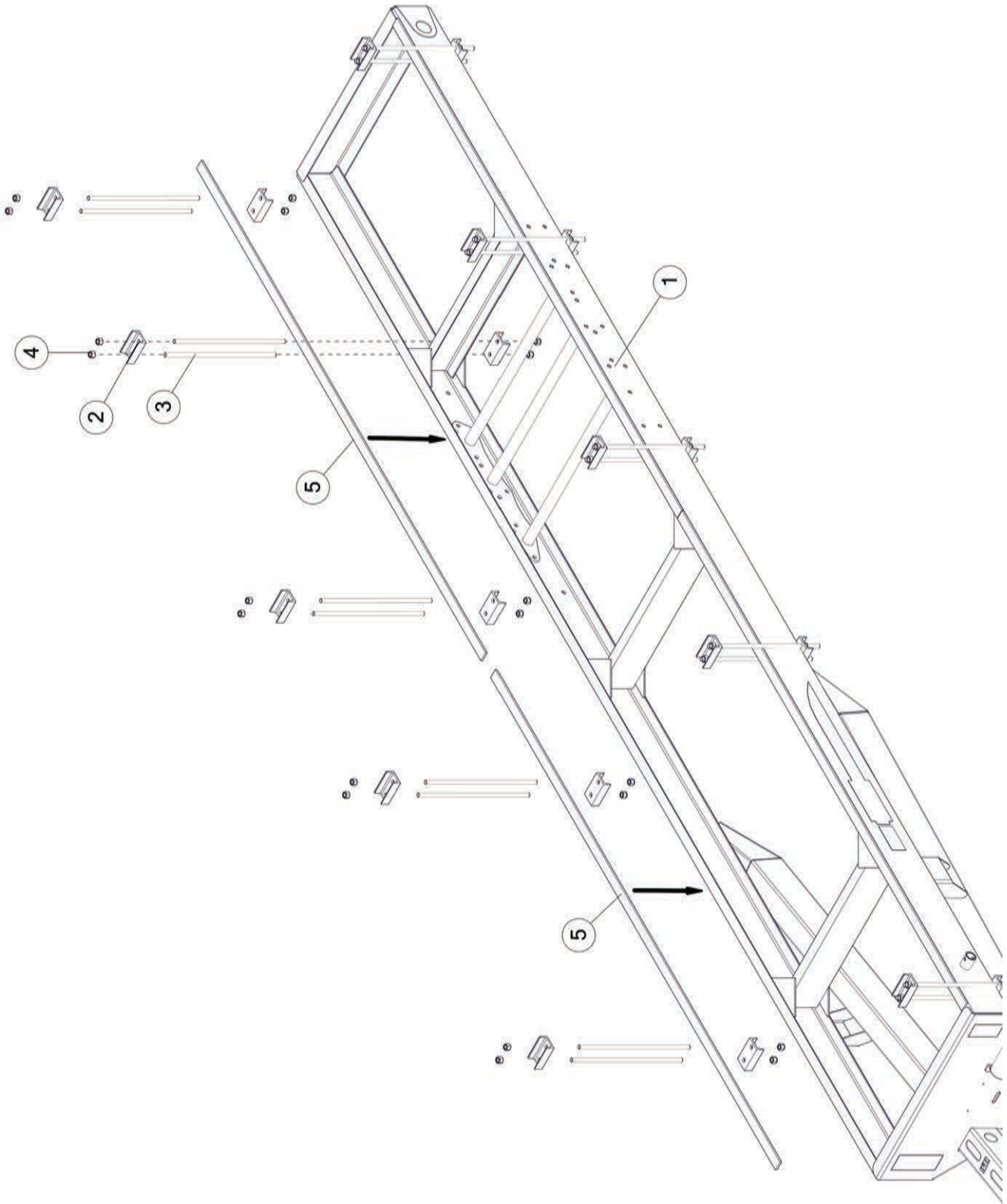


FIGURE 2
FRAME & COMPONENTS

<u>ITEM</u>	<u>QTY</u>	<u>PART#</u>	<u>DESCRIPTION</u>
1	1	72789	FRAME, 24 CHASSIS
2	20	70602	TIE DOWN
3	20	FBC6	SPACER ROD
4	40	YNNY24006	NUT HEX, NYLON LOCKNUT, 3/4
5	4	72806	LUMBER

FIGURE 3
MAIN FRAME SLIDER

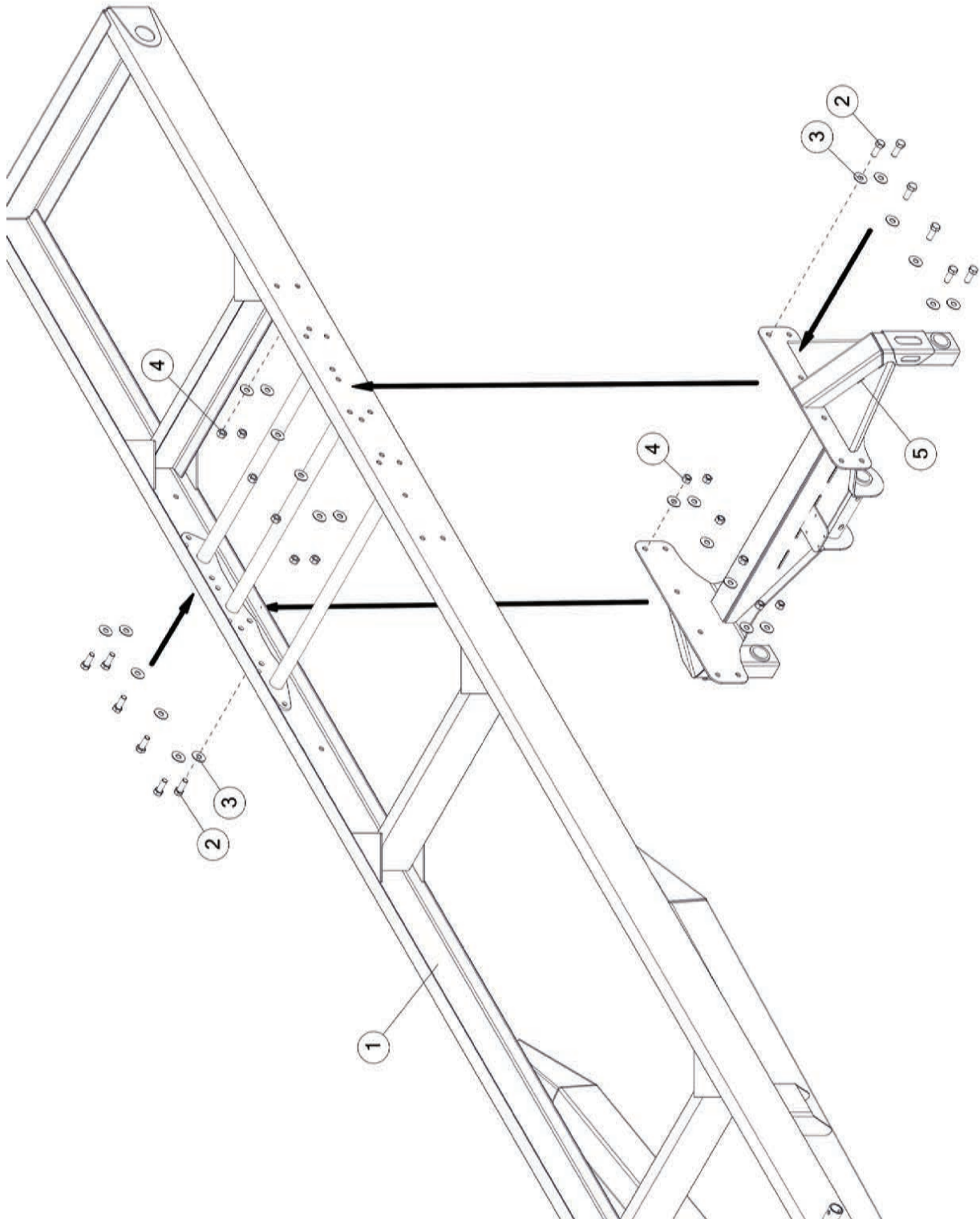


FIGURE 3
MAIN FRAME SLIDER

<u>ITEM</u>	<u>QTY</u>	<u>PART#</u>	<u>DESCRIPTION</u>
1	1	72789	FRAME, 24 CHASSIS
2	12	YBHH24018	BOLT HEX, 3/4 X 2
3	24	YWFL24005	WASHER FLAT, 3/4
4	12	YNL24005	NUT HEX , TOP LOCK, 3/4
5	1	72598	FRAME SLIDER

FIGURE 4
TANDEM & HUB ASSEMBLY

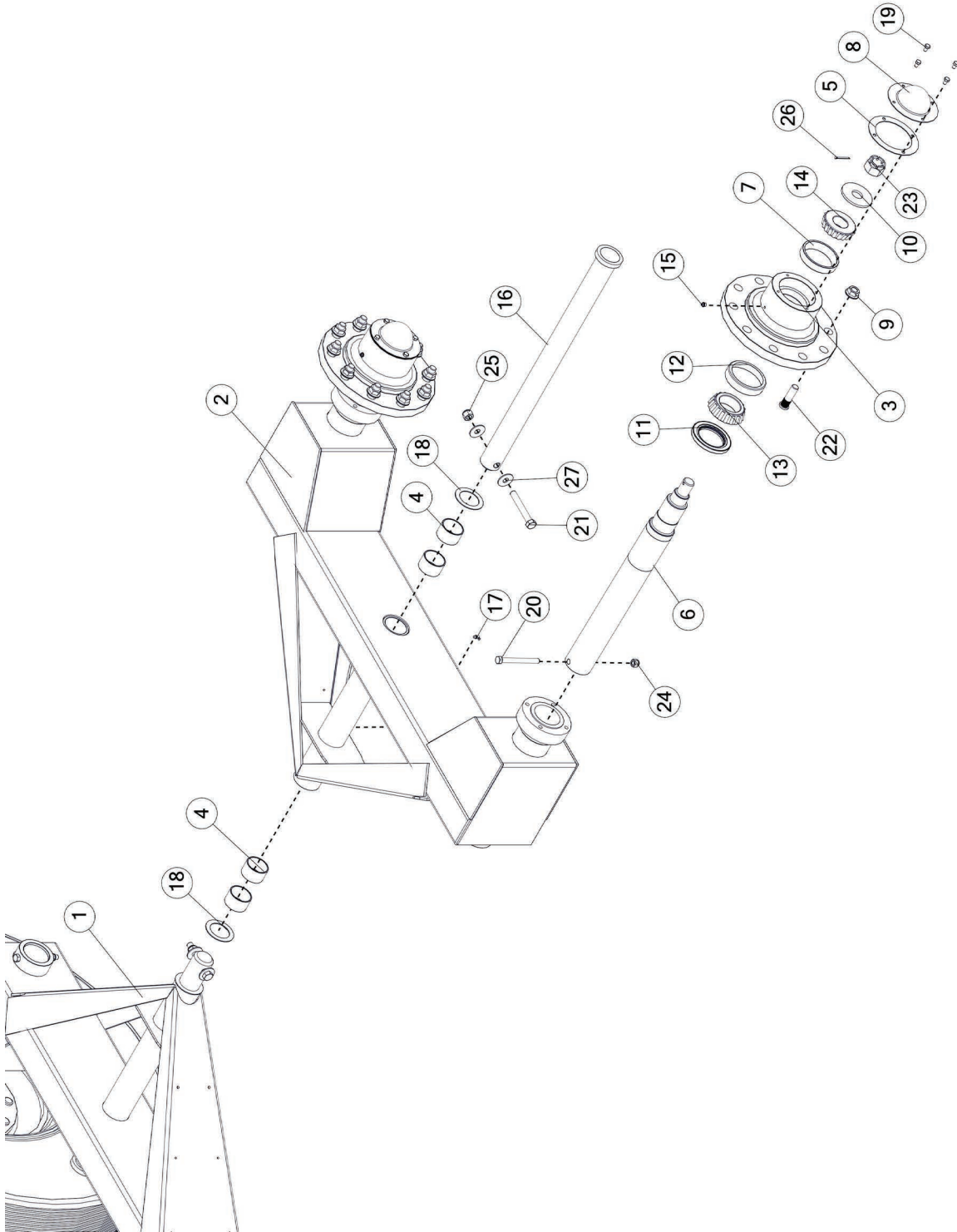


FIGURE 4

TANDEM & HUB ASSEMBLY

<u>ITEM</u>	<u>QTY</u>	<u>PART#</u>	<u>DESCRIPTION</u>
1	1	50N152	TANDEM BEAM, RH
2	1	50N151	TANDEM BEAM, LH
3	4	60N8	HUB W/RACES (10 BOLT)
4	8	50N8	BRONZE BUSHING
5	4	56234	HUB CAP GASKET
6	4	60N1	SPINDLE
7	4	60N10	OUTER RACE
8	4	60N11	HUB CAP
9	40	YNWL24005	NUT FLANGE , 3/4 G8
10	4	60N2	SPINDLE WASHER
11	4	60N5	GREASE SEAL
12	4	60N6	INNER RACE
13	4	60N7	TAPERED ROLLER BEARING
14	4	60N9	TAPERED ROLLER BEARING
15	4	BFR28	GREASE ZERK, 1/8 NPT
16	2	50N153	TANDEM PIN
17	2	RG51	GREASE ZERK, 90 DEGREE 1/4
18	4	RG59	THRUST WASHER, 1/16
19	16	YBHH10020	BOLT HEX, 5/16 X 1/2 G5
20	4	YBHH16155	BOLT HEX, 1/2 X 5 G5
21	2	YBHH20070	BOLT HEX, 5/8 X 4-1/2 G5
22	40	YBSD24010	BOLT STUD, 3/4 UNF X 2-3/4
23	4	YNCA36005	NUT HEX, CASTLE, 1-1/4
24	4	YNNY16005	NUT HEX, NYLON LOCKNUT, 1/2
25	4	YNNY20005	NUT HEX, NYLON LOCKNUT, 5/8
26	4	YPCT07005	COTTER PIN, 7/32 X 2
27	4	YWFL20005	WASHER FLAT, 5/8

FIGURE 5 OPTIONAL TIRES

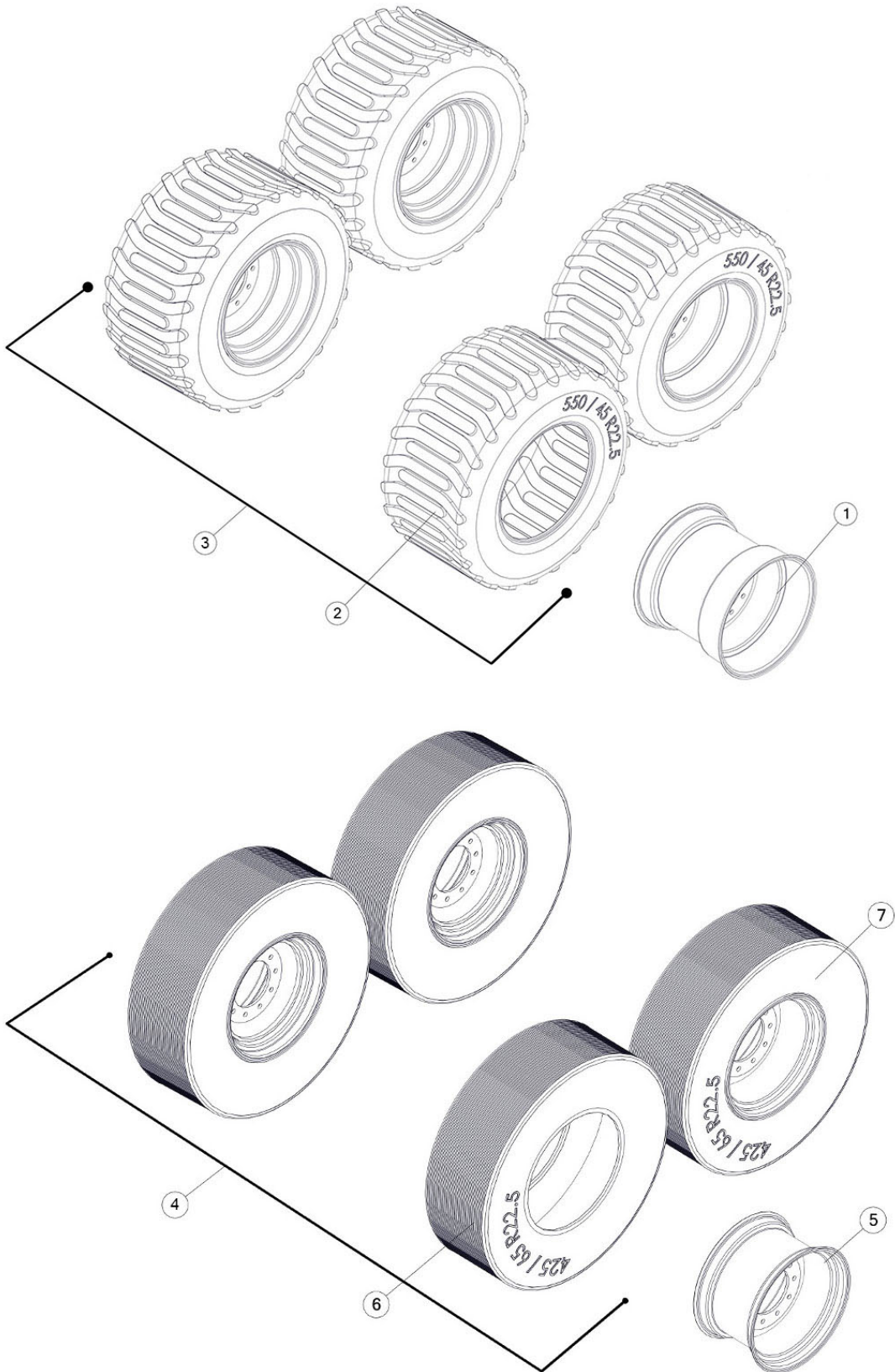


FIGURE 5 OPTIONAL TIRES

<u>ITEM</u>	<u>QTY</u>	<u>PART#</u>	<u>DESCRIPTION</u>
1	4	33340	WHEEL, 22.5 X 16
2	4	33381	TIRE, 550/45 - 22.5 16PLY FLOATATION
3	4	WBOC550	ASSY, 425 TRUCK TIRE OPTION
4	4	TWP42510	ASSY, 550 FLOAT OPTION
5	4	60N15	WHEEL, 13 X 22.5, 10 BOLT, OFF-WHITE
6	4	16SV88	TIRE, 425 X 22.5
7	4	33236	TIRE, 425 X 22.5 ON 22.5 X 13.5, 10 BOLT WHEEL

FIGURE 6
BRAKE HUB ASSEMBLY (OPTIONAL)

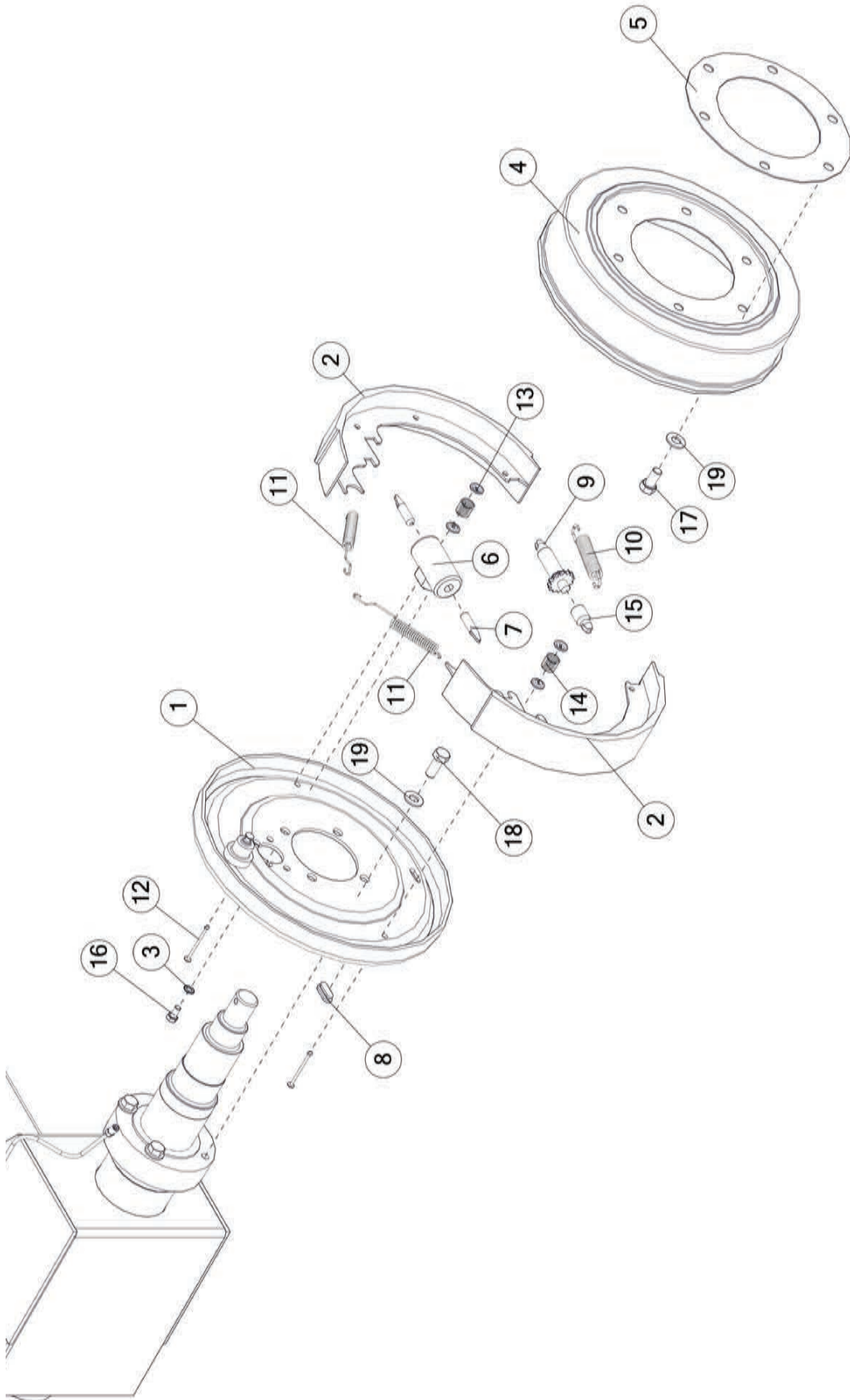


FIGURE 6

BRAKE HUB ASSEMBLY (OPTIONAL)

<u>ITEM</u>	<u>QTY</u>	<u>PART#</u>	<u>DESCRIPTION</u>
1	1	74293	BRAKE (13 INCH)
2	2	FBC50	BRAKE SHOE, REAR
3	2	YWSI10005	WASHER LOCK, STAR, 5/16
4	1	RGE10	BRAKE DRUM (13 INCH)
5	1	CB20	DRUM SPACER
6	1	74292	WHEEL CYLINDER, LH
*	1	74291	WHEEL CYLINDER, RH
7	2	FBC54	PUSH ROD
8	1	FBC55	ADJUSTING HOLE COVER
9	1	74289	ADJUSTING SCREW
10	1	RGB50	SPRING ADJUSTING SCREW
11	2	RGB55	SPRING SHOE
12	2	RGB56	PIN-SHOE HOLD DOWN
13	4	RGB57	CUP SHOE HOLD DOWN
14	2	RGB59	SPRING HOLD DOWN
15	1	74290	BRAKE ADJUSTER SOCKET
16	2	YBHH10132	BOLT HEX, 5/16 X 5/8 G5
17	6	YBHH16010	BOLT HEX, 1/2 X 1 G5
18	4	YBHH16045	BOLT HEX, 1/2 X 1-1/4 G5
19	4	YWFL16010	WASHER FLAT, 1/2 SAE

*MEANS NOT SHOWN

FIGURE 7 **BRAKE LINE ASSEMBLY (OPTIONAL)**

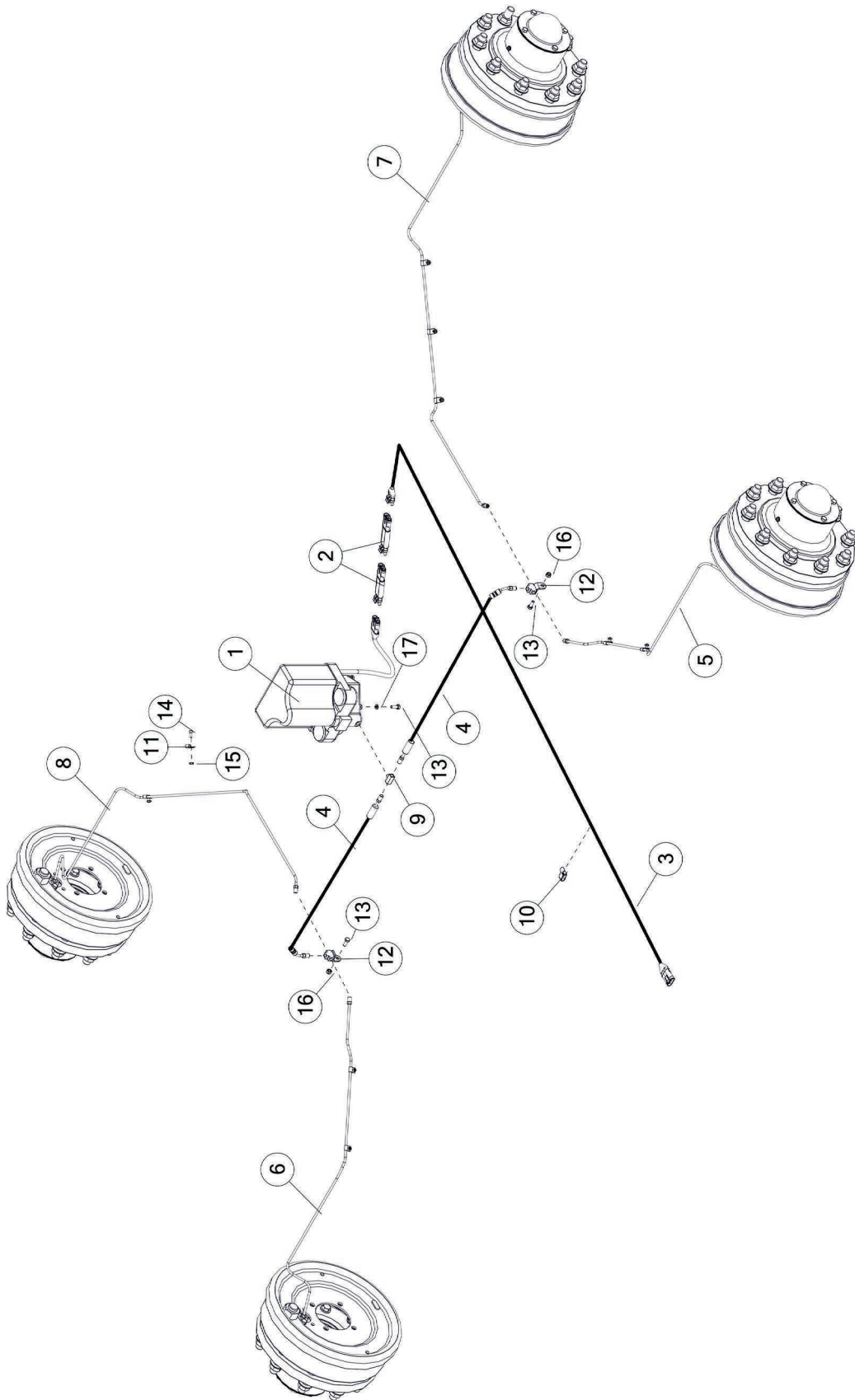


FIGURE 7

BRAKE LINE ASSEMBLY (OPTIONAL)

<u>ITEM</u>	<u>QTY</u>	<u>PART#</u>	<u>DESCRIPTION</u>
1	1	FBC41	PUMP/MASTER CYLINDER
*	1	73958	ELEC, 3 PIN FEMALE, WTHRPK
*	3	74127	SEAL, WTHRPK, 12 AWG
*	3	74119	ELEC, WTHRPK, 12 AWG
2	2	73990	ELEC, BRAKE RESISTOR
*	2	73960	ELEC, 3 PIN MALE, WTHRPK
*	6	74123	PIN, WTHRPK, 12 AWG
*	12	74127	SEAL, WTHRPK, 12 AWG
*	6	74119	ELEC, WTHRPK, 12 AWG
*	2	73958	ELEC, 3 PIN FEMALE, WTHRPK
3	1	FBC40	PUMP/MASTER CYLINDER HARNESS
*	1	73958	ELEC, 3 PIN FEMALE, WTHRPK
*	6	74127	SEAL, WTHRPK, 12 AWG
*	3	74119	ELEC, WTHRPK, 12 AWG
*	1	73960	ELEC, 3 PIN MALE, WTHRPK
*	3	74123	PIN, WTHRPK, 12 AWG
4	2	74090	HOSE ASSY, 3/16 FLARE, 13.5
5	1	74091	BRAKE LINE, 3/16
6	1	74094	BRAKE LINE, 3/16
7	1	74095	BRAKE LINE, 3/16
8	1	74100	BRAKE LINE, 3/16
9	1	FBC45	BRANCH TEE
10	10	56021	METAL CHASSIS CLIP
11	10	74093	BRAKE CLAMP, 1/4 X 0.50
12	2	RGB26	BRAKE LINE TEE
13	6	YBHH08100	BOLT HEX, 1/4 X 3/4 G5
14	10	YSHS64005	SOCKET HEAD, CAP SCREW, #10 X 1/2
15	10	YNNY64005	NUT HEX, NYLON INSERT, LOCKNUT, #10
16	2	YNNY08005	NUT HEX, NYLON LOCKNUT, 1/4
17	4	YWLO08005	WASHER LOCK, 1/4

*MEANS NOT SHOWN

FIGURE 8
BRAKE HARNESS ASSEMBLY (OPTIONAL)



FIGURE 8
BRAKE HARNESS ASSEMBLY (OPTIONAL)

<u>ITEM</u>	<u>QTY</u>	<u>PART#</u>	<u>DESCRIPTION</u>
1	1	FBC38	IN CAB CONTROLLER
*	1	74269	PLUG TOWER HALF
*	4	74123	PIN, WTHRPK, 12 AWG
*	4	74127	SEAL, WTHRPK, 12 AWG
2	1	FBC30	ELECTRIC BRAKE HARNESS
*	1	56845	7 POLE, ROUND PIN TRACTOR PLUG
*	4	74108	RECEPTACLE SHROUD HALF
*	3	74118	ELEC, WTHRPK, 14/16 AWG
*	4	74119	ELEC, WTHRPK, 12 AWG
*	7	74127	SEAL, WTHRPK, 12 AWG
*	1	73961	ELEC, 4 PIN BOX PLUG
*	1	73960	ELEC, 3 PIN MALE, WTHRPK
3	1	FBC39	BRAKE CONTROL MODULE
*	1	73958	ELEC, 3 PIN FEMALE, WTHRPK
*	3	74123	PIN, WTHRPK, 12 AWG
*	3	74127	SEAL, WTHRPK, 12 AWG
4	2	56564	CLAMP TOP PLATE
5	2	56569	BOLT CLAMP, 5/16 X 1-34
6	2	56596	CLAMP CUSHION (SET OF 2)
7	2	YBHH08035	BOLT HEX, 1/4 X 1-1/4 G5
8	2	YNNY08005	NUT HEX, NYLON LOCKNUT, 1/4 WASHER
9	4	YWFL08010	FLAT, YELLOW ZINC, 1/4 SAE G8

*MEANS NOT SHOWN

FIGURE 9 SCALE MOUNT ASSEMBLY (OPTIONAL)

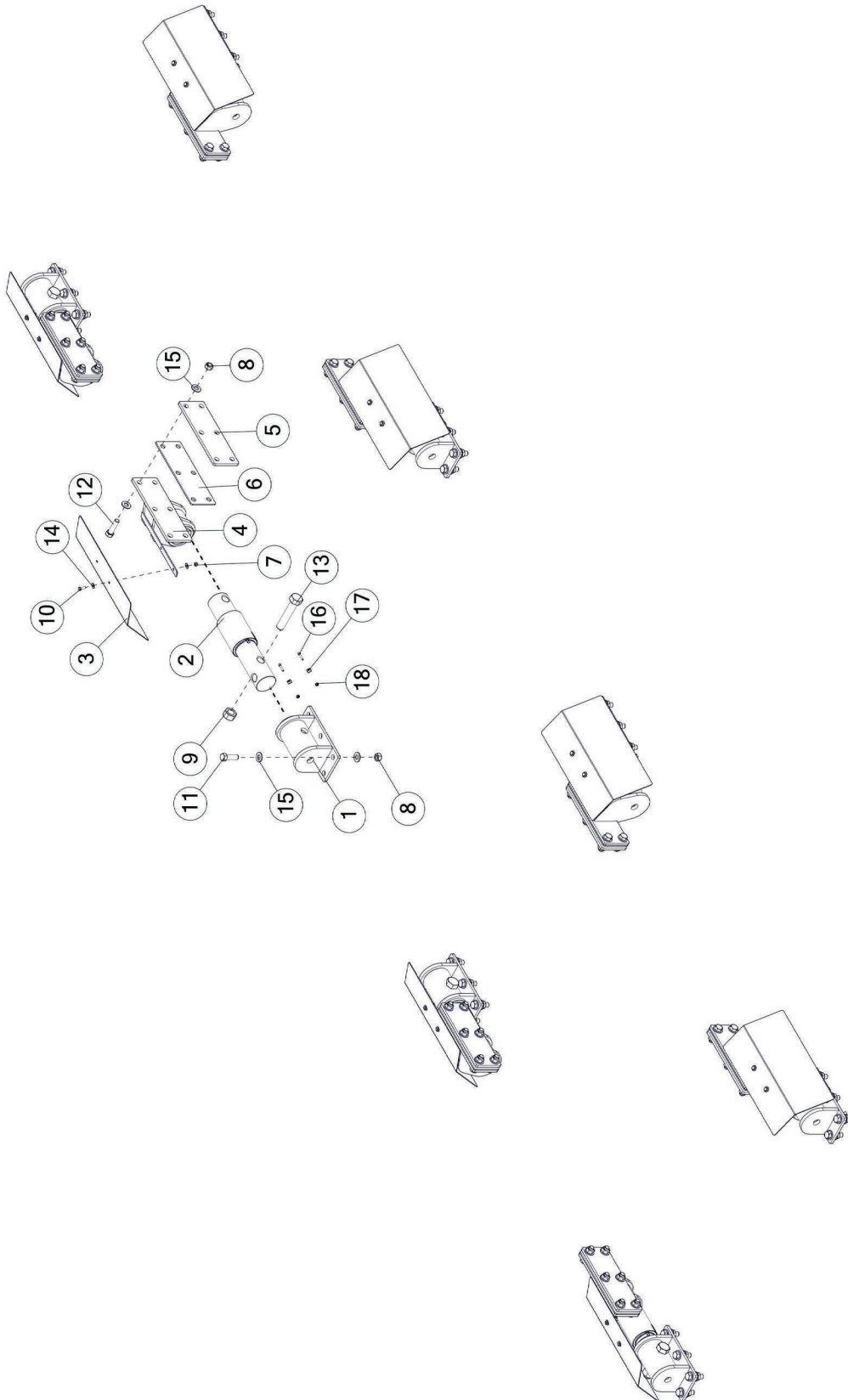


FIGURE 9 SCALE MOUNT ASSEMBLY (OPTIONAL)

<u>ITEM</u>	<u>QTY</u>	<u>PART#</u>	<u>DESCRIPTION</u>
1	8	59466	FRAME CELL MOUNT
2	8	59496	CELL-2.875 DB-21
3	8	59473	LOAD CELL SHIELD
4	4	59485	COMPONENT CELL MOUNT-CHECK
*	4	59467	COMPONENT CELL MOUNT
5	8	74304	PLT, 12.0 X 4.00 X 0.38
6	8	74305	PLT, 12.0 X 4.00 X 0.12, SHIM
7	16	YNNY08005	NUT HEX, NYLON LOCKNUT, 1/4
8	96	YNTL20005	NUT HEX, TOP LOCK, 5/8
9	8	YNTL32005	NUT HEX, TOP LOCK, 1 GC
10	16	YBHH08100	BOLT HEX, 1/4 X 3/4 G5
11	48	YBHH20025	BOLT HEX, 5/8 X 2 G5
12	48	YBHH20040	BOLT HEX, 5/8 X 2-1/4 G8
13	16	YBHH32023	BOLT HEX, 1 X 5 GR 8
14	32	YWFL08005	WASHER FLAT, 1/4 USS
15	192	YWFL20010	WASHER FLAT, YELLOW ZINC5/8 SAE G8
16	16	YSHS64015	SCREW, CAP SOCKET HEAD, #10 X 1
17	16	74093	BRAKE CLAMP, 1/4 X 0.50
18	16	YNNY64005	NUT HEX, NYLON INSERT, LOCKNUT, #10

*MEANS NOT SHOWN

FIGURE 10
SCALE DISPLAY ASSEMBLY (OPTIONAL)

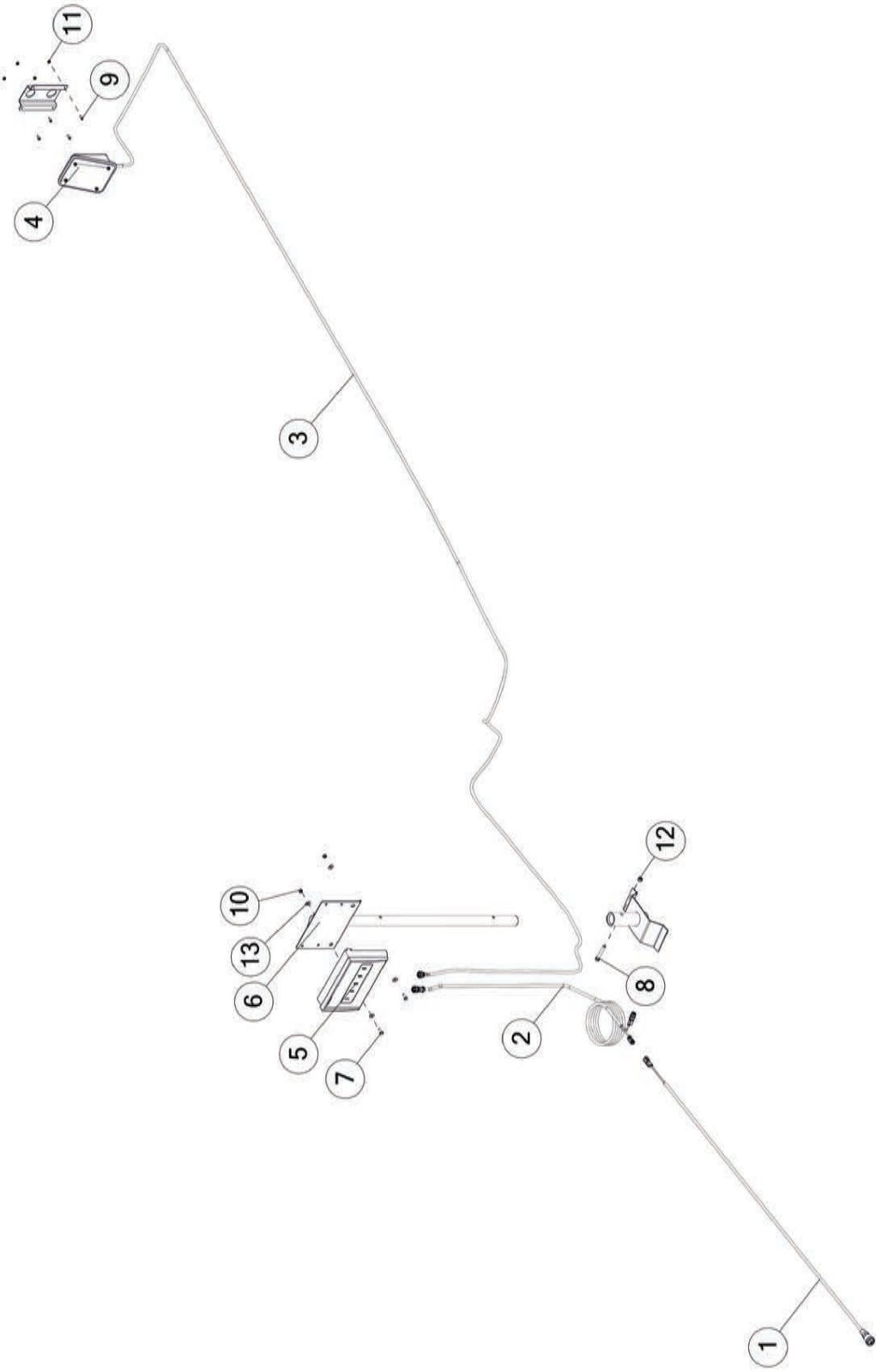


FIGURE 10

SCALE DISPLAY ASSEMBLY (OPTIONAL)

<u>ITEM</u>	<u>QTY</u>	<u>PART#</u>	<u>DESCRIPTION</u>
1	1	59107	POWER CABLE
2	1	71872	ELECTRIC SCALE HARNESS (10)
*	1	58793	LOCKING WEDGE FOR DT06-2S CONNECTOR
*	1	58790	DEUTSCH 2 PIN PLUG HOUSING
*	4	56861	DEUTSCH 2 PIN RECEPTACLE HOUSING
*	2	56863	LOCKING WEDGE FOR DT04-2P CONNECTOR
*	1	56760	DEUTSCH SOCKET, SOLID, 14-16 GA.
*	2	SE215	DEUTSCH PIN, SOLID, 14-16 GA.
*	2	74302	DEUTSCH 12 PIN SEAL
3	1	74018	ELECTRIC HARNESS, J BOX 275.0
4	1	71914	CELL MODULE, J-BOX 6-8
5	1	GM404	SCALE MONITOR
6	1	71889	INDICATOR MOUNT POLE
7	2	YBHH08100	BOLT HEX, 1/4 X 3/4, G5
8	1	YBHH12090	BOLT HEX, 3/8 X 2-1/2 G5
9	4	YSHS64005	SCREW, CAP SOCKET HEAD, #10 X 1/2
10	2	YNNY08005	HEX NUT, NYLON LOCKNUT, 1/4
11	4	YNNY64005	NUT HEX, NYLON INSERT LOCKNUT, #10
12	1	YNTL12005	NUT HEX, TOP LOCK, 3/8
13	4	YWFL08005	WASHER FLAT, 1/4

*MEANS NOT SHOWN

PARTS NOTES

H&S MFG. CO.

products approved

for the

FEMA

SEAL OF QUALITY

