

H&S

PARTS BOOK

4126 CHASSIS



Revision #01

Starting Ser. #121CH26013

HSMFG030221

PART #85889

Manufactured by
H&S MANUFACTURING CO., INC.
2608 S. HUME AVE. MARSHFIELD, WI 54449
(715) 387-3414 | hsmfgco.com



CONTENTS

Instructions for Ordering Parts - About Improvements	1
Figure 1 - Bullnose Hitch & Component	2-3
Figure 2 - Front Pole & Components	4-5
Figure 3 - Manual Holder	6-7
Figure 4 - Main Frame Lumber	8-9
Figure 5 - Suspension Frame & Axle	10-11
Figure 6 - Brake & Components	12-13
Figure 7 - Suspension & Components	14-15
Figure 8 - Cylinder Braking & Components (Optional)	16-17
Figure 9 - Tire (Optional)	18-19
Notes	20

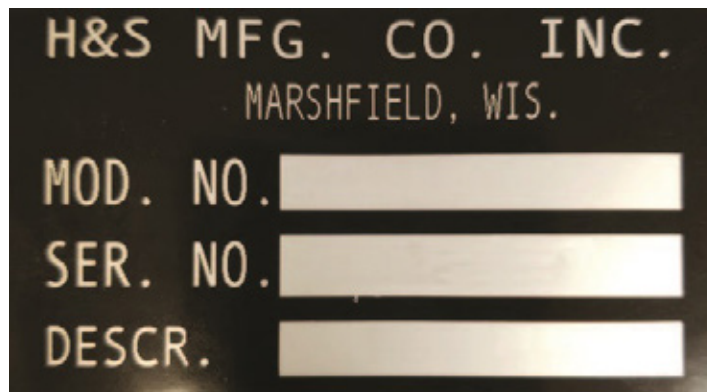
INSTRUCTIONS FOR ORDERING PARTS

All service parts should be ordered through your authorized H&S dealer. He will be able to give you faster service if you will provide them with the following:

1. Model & Serial Number - Both can be located on the center of the main front plate.
2. All references to left or right apply to the machine as viewed from the rear.
3. Parts should not be ordered from illustration only. Please order complete part number.
4. If your dealer has to order parts - give shipping instructions:

VIA truck - large pieces (please specify local truck lines)

VIA United Parcel Service (include full address)



H&S MFG. CO. INC.
MARSHFIELD, WIS.

MOD. NO.

SER. NO.

DESCR.

PLEASE RECORD NUMBERS FOR YOUR UNIT FOR QUICK REFERENCE

ABOUT IMPROVEMENTS

H&S IS CONTINUALLY STRIVING TO IMPROVE ITS PRODUCTS

We must therefore, reserve the right to make improvements or changes whenever it becomes practical to do so, without incurring any obligation to make changes or additions to the equipment previously sold.

FIGURE 1 **BULLNOSE HITCH & COMPONENTS**

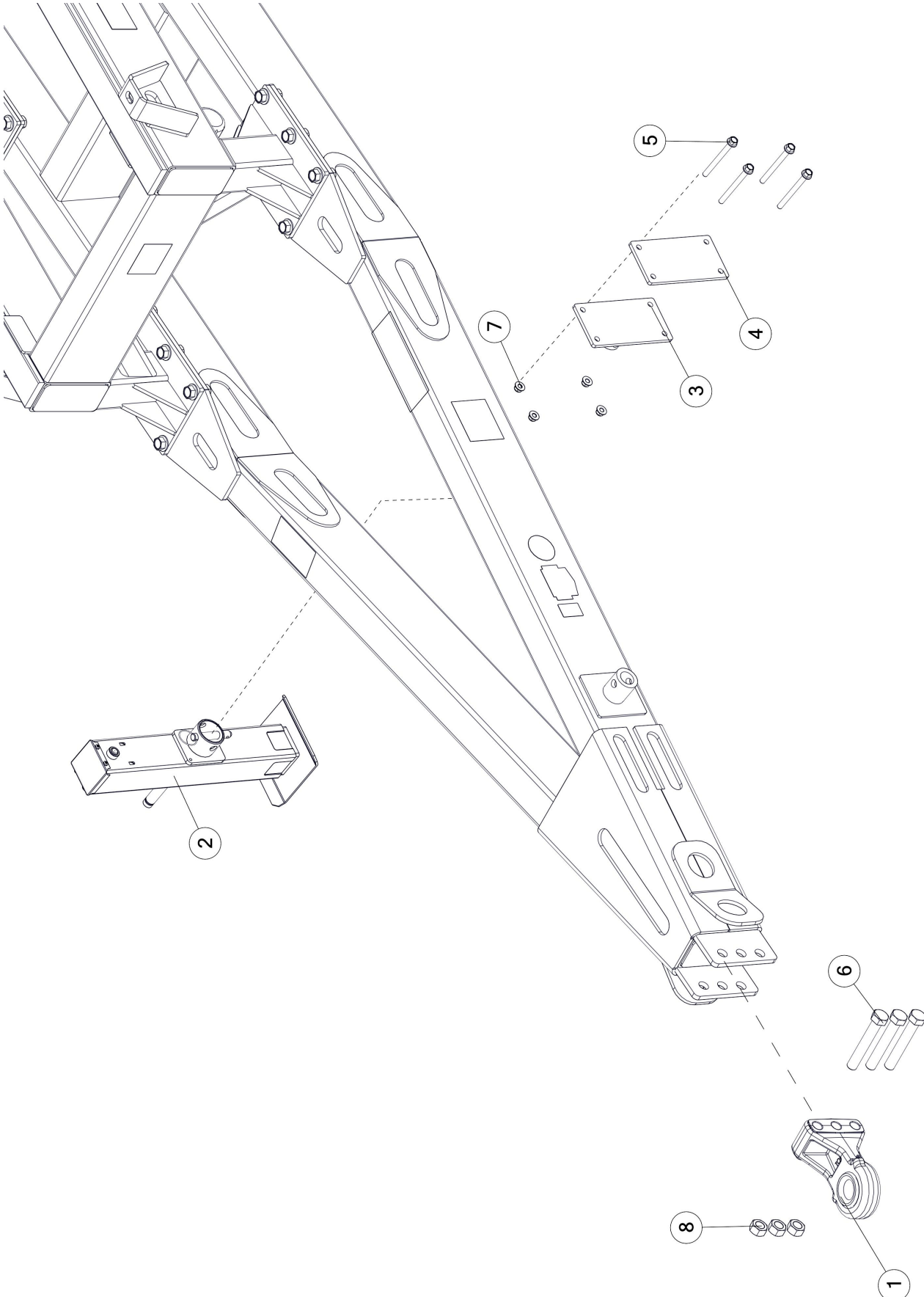


FIGURE 1
BULLNOSE HITCH & COMPONENTS

<u>ITEM</u>	<u>QTY</u>	<u>PART#</u>	<u>DESCRIPTION</u>
1	1	80988	BULLNOSE HITCH
2	1	84422	JACK
3	1	82220	JACK STORAGE MOUNT
4	1	84629	JACK STORAGE PLATE
5	4	YBFB16550	BOLT FLANGE, 1/2 X 5-1/2 G5
6	3	YBHH32028	BOLT HEX, 1 X 6-1/2 G8
7	4	YNFG16003	NUT FLANGE, 1/2
8	3	YNL32005	NUT HEX, 1

FIGURE 2 **FRONT POLE & COMPONENTS**

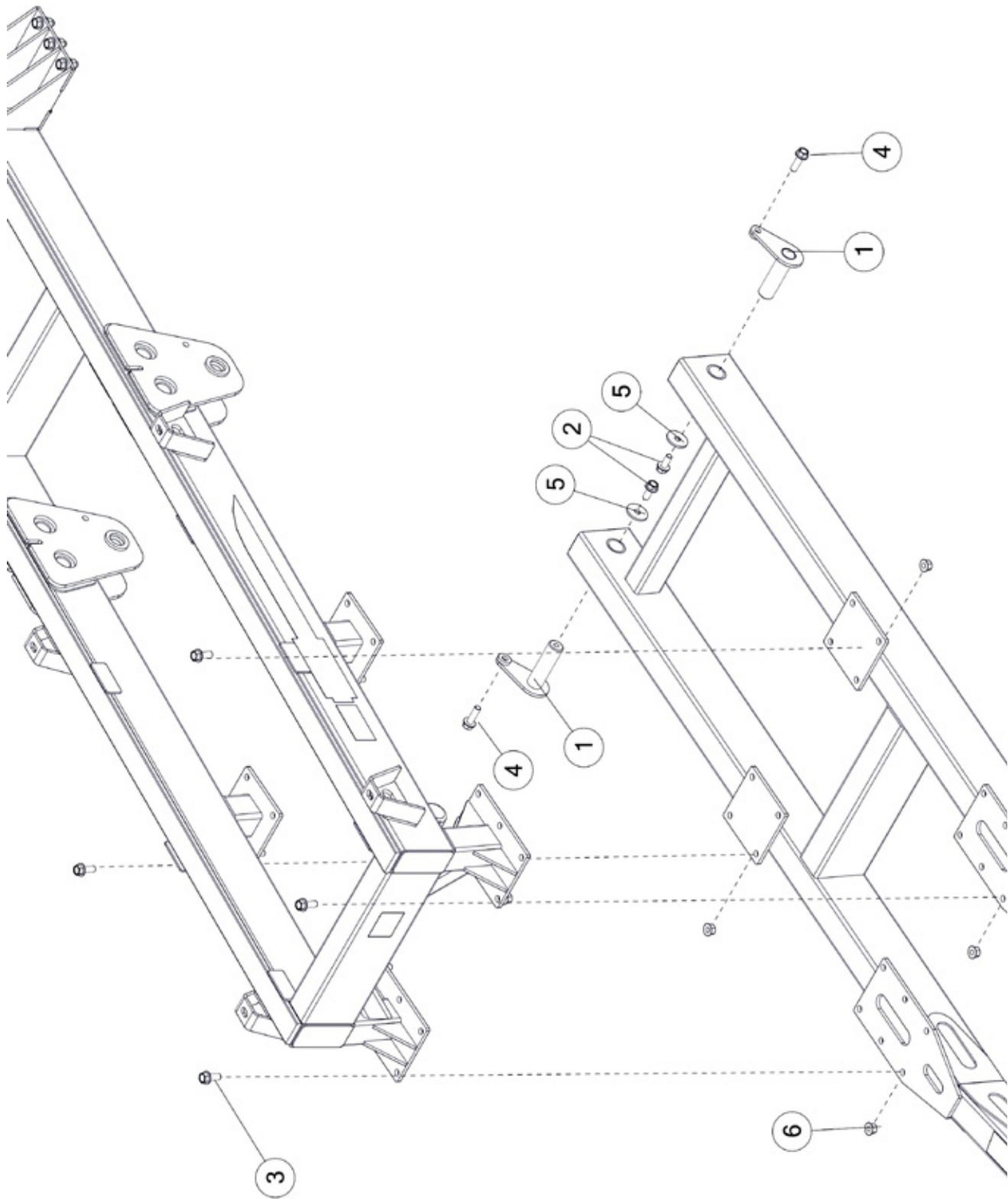


FIGURE 2
FRONT POLE & COMPONENTS

<u>ITEM</u>	<u>QTY</u>	<u>PART#</u>	<u>DESCRIPTION</u>
1	2	80962	HITCH PIN
2	2	YBFB24175	BOLT FLANGE, 3/4 X 1-3/4 G5
3	20	YBFB24200	BOLT FLANGE, 3/4 X 2 G5
4	2	YBFB24250	BOLT FLANGE, 3/4 X 2-1/2 G5
5	2	82233	HITCH PIN WASHER
6	20	YNFG24006	NUT FLANGE, 3/4

FIGURE 3
MANUAL HOLDER

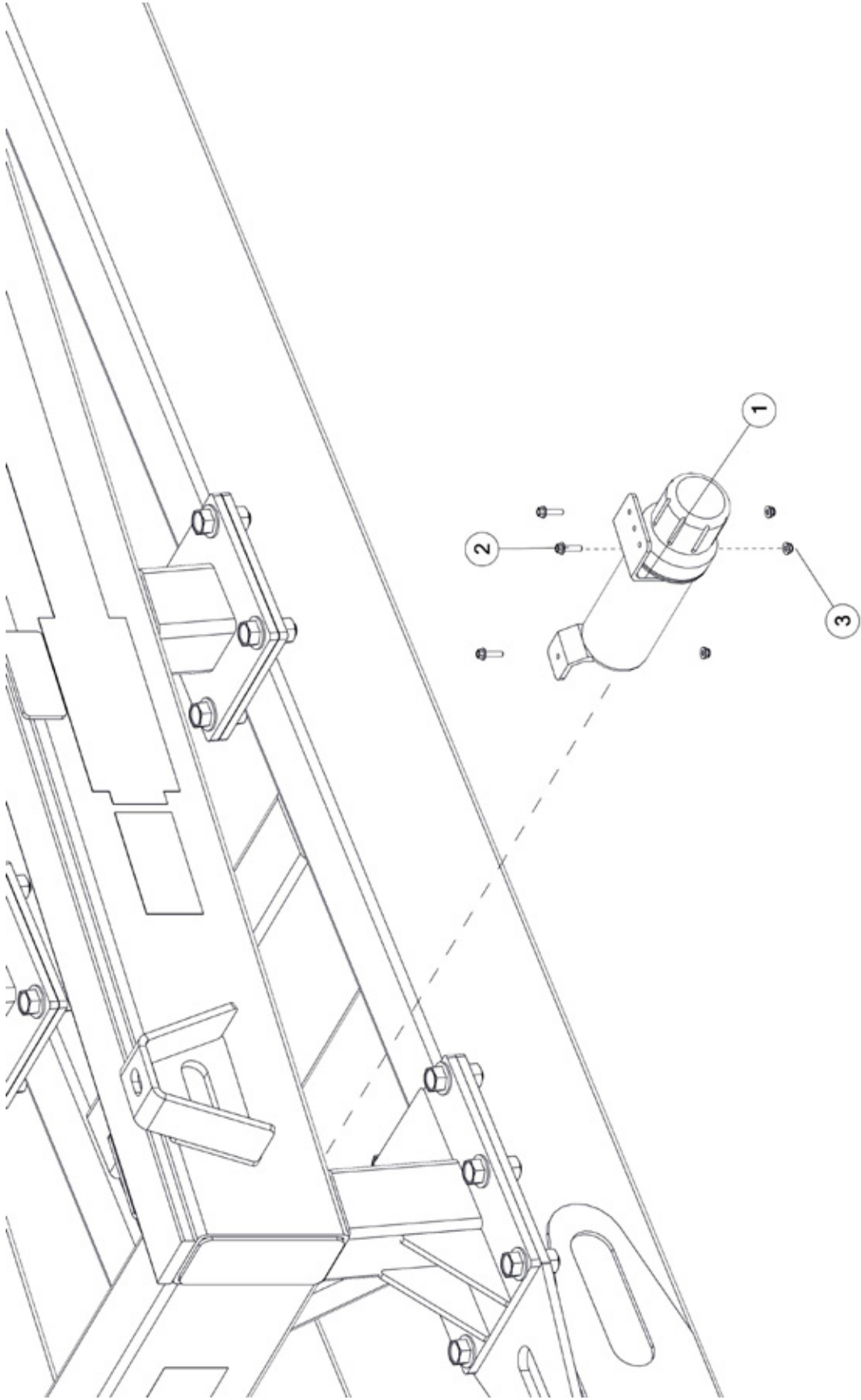


FIGURE 3
MANUAL HOLDER

<u>ITEM</u>	<u>QTY</u>	<u>PART#</u>	<u>DESCRIPTION</u>
1	1	S522	MANUAL HOLDER
2	3	YBFB08100	BOLT FLANGE, 1/4 X 1 G5
3	3	YNFG08010	NUT FLANGE, 1/4

FIGURE 4
MAIN FRAME LUMBER

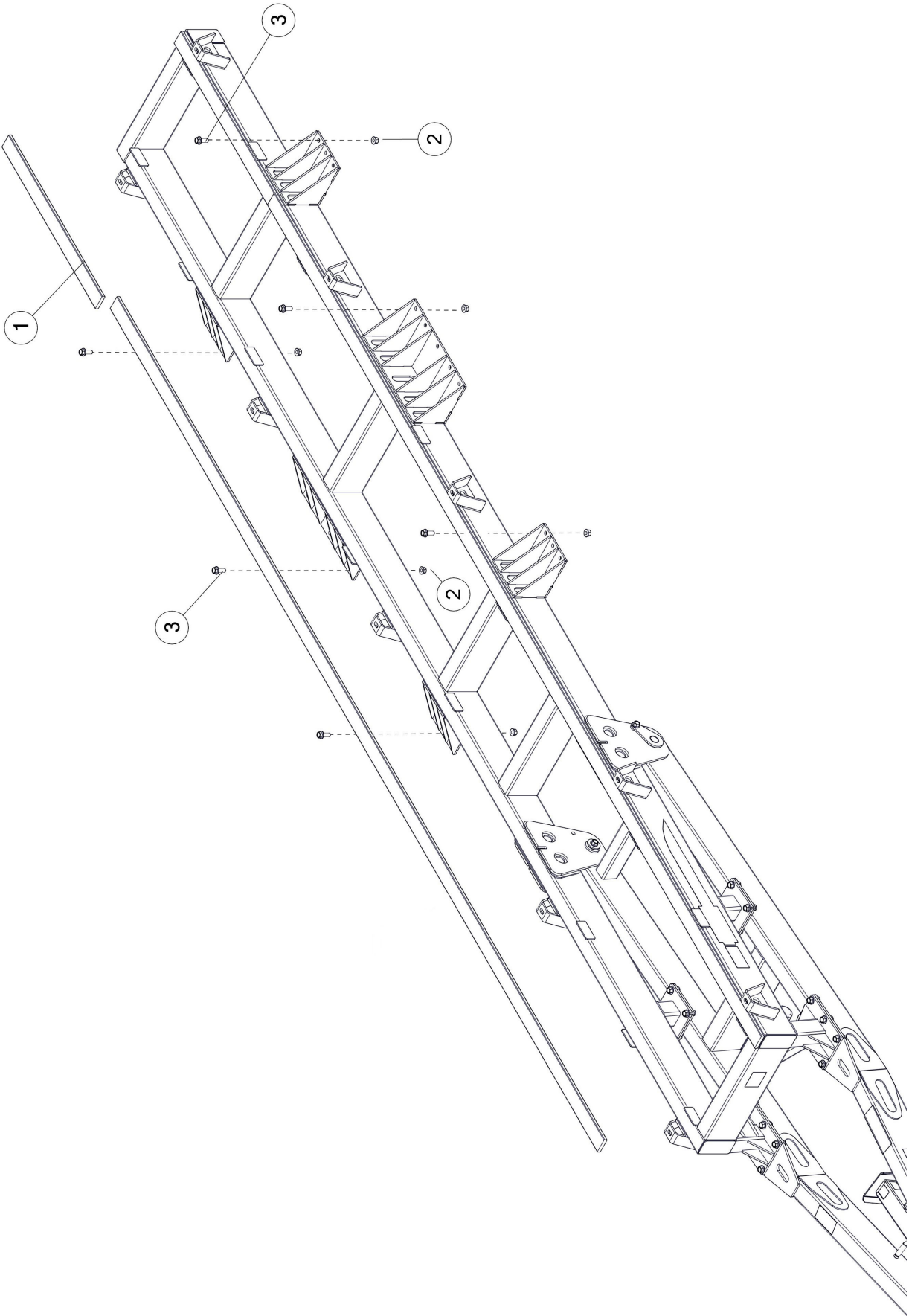


FIGURE 4
MAIN FRAME LUMBER

<u>ITEM</u>	<u>QTY</u>	<u>PART#</u>	<u>DESCRIPTION</u>
1	2	84580	LUMBER, 1 X 4 X 46
2	22	YNFG24006	NUT FLANGE, 3/4
3	22	YBFB24200	BOLT FLANGE, 3/4 X 2 G5

FIGURE 5
SUSPENSION FRAME & AXLE

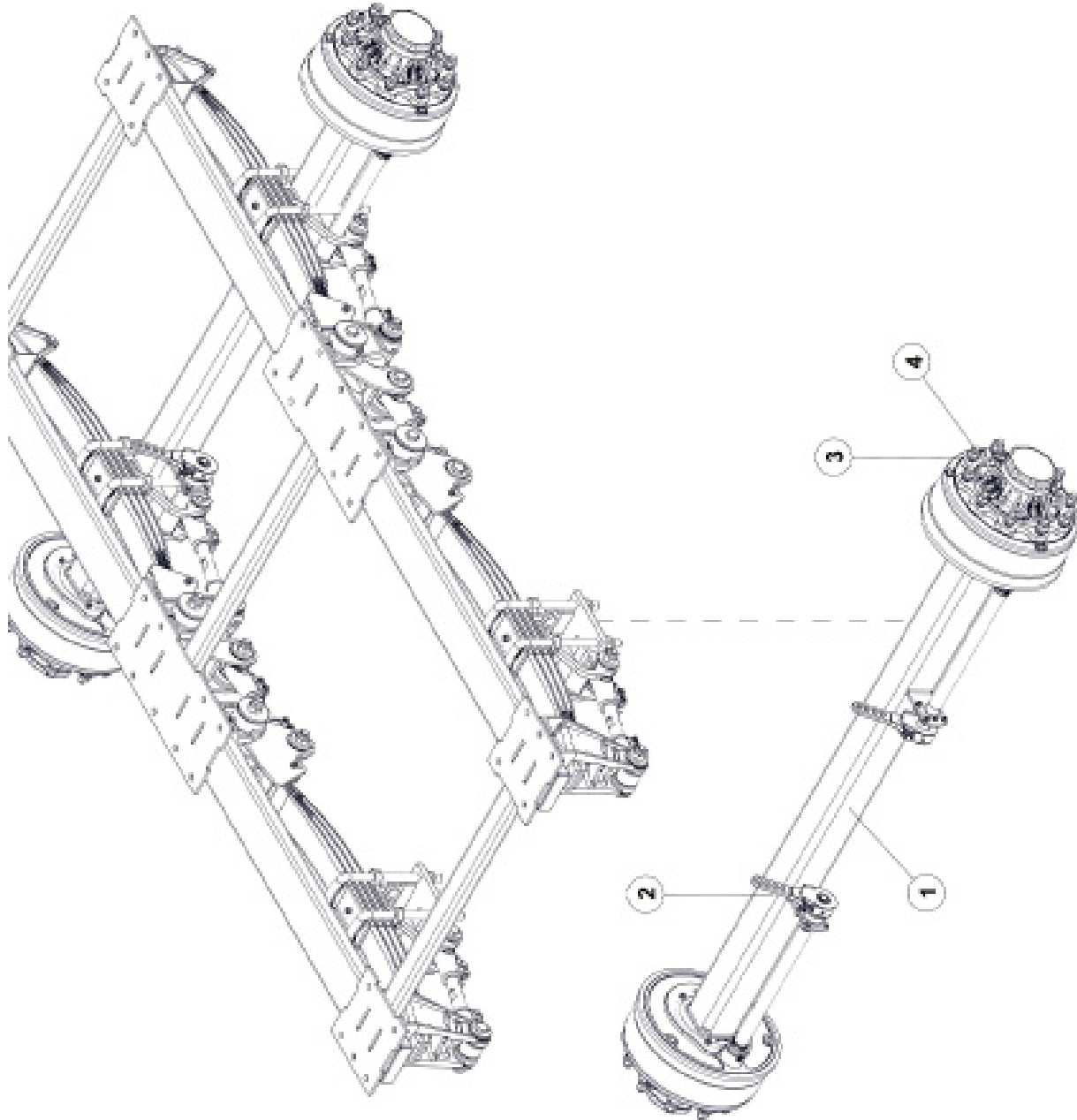


FIGURE 5
SUSPENSION FRAME & AXLE

<u>ITEM</u>	<u>QTY</u>	<u>PART#</u>	<u>DESCRIPTION</u>
1	2	87414	13 TON AXLE
2	4	85527	BRAKE LEVER
3	40	8306	LUG NUT
4	40	85524	STUD

***MEANS NOT SHOWN**

FIGURE 6 BRAKES & COMPONENTS

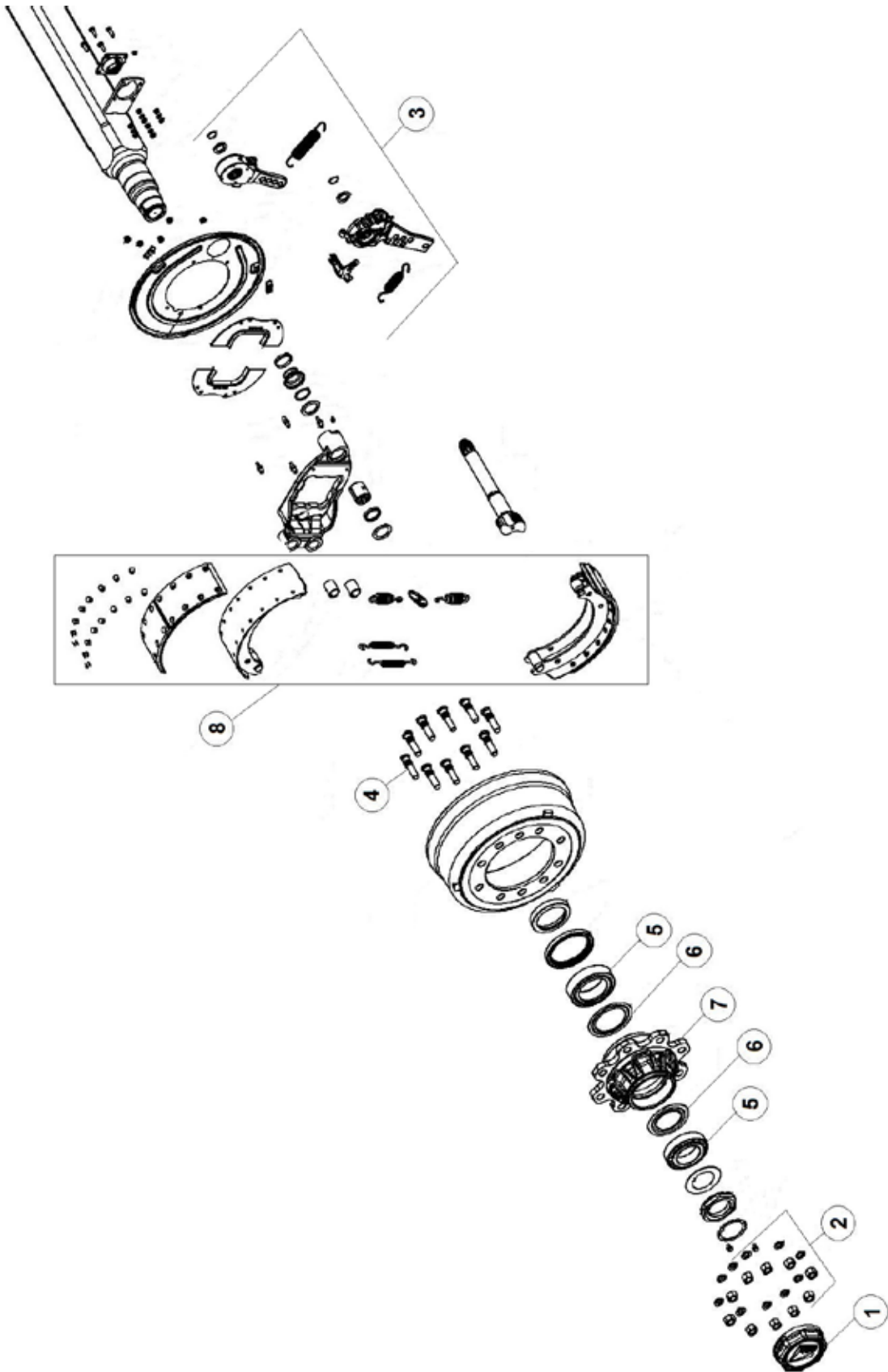


FIGURE 6
BRAKES & COMPONENTS

<u>ITEM</u>	<u>QTY</u>	<u>PART#</u>	<u>DESCRIPTION</u>
1	4	85523	END CAPS
2	40	8306	LUG NUT
3	4	85527	BRAKE LEVER
4	40	85524	STUD
5	4	85521	BEARING KIT FOR ONE HUB
6	4	85522	SEAL KIT FOR ONE HUB
7	4	85473	HUB
8	4	85526	BRAKE SHOES/SPRINGS

FIGURE 7
SUSPENSION & COMPONENTS

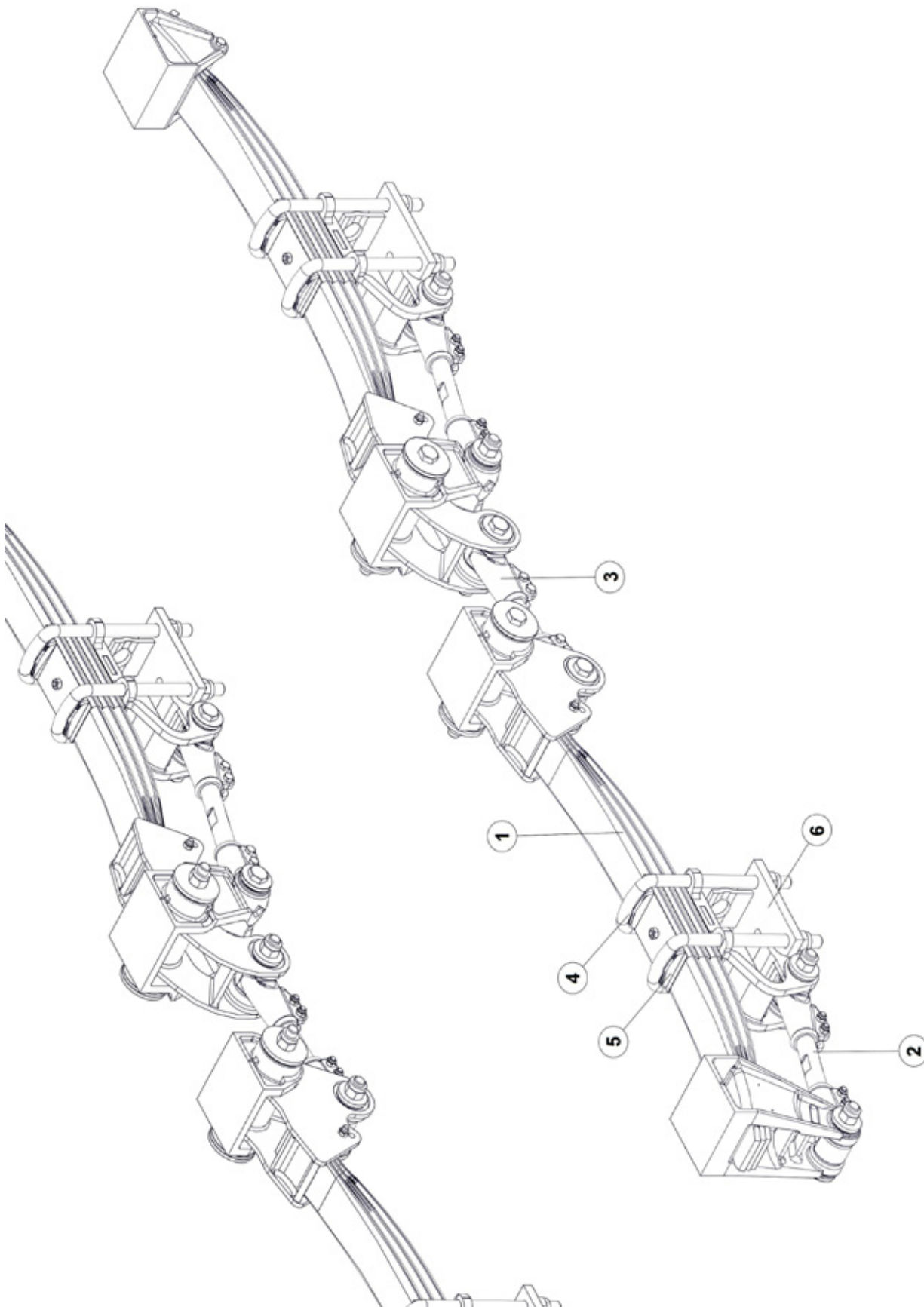


FIGURE 7
SUSPENSION & COMPONENTS

<u>ITEM</u>	<u>QTY</u>	<u>PART#</u>	<u>DESCRIPTION</u>
1	4	85516	13 TON LEAF SPRING SUSPENSION
2	4	85475	TIE ROD ADJUSTABLE LONG
3	2	85474	TIE ROD ADJUSTABLE SHORT
4	8	85480	U-BOLT
5	8	85479	U-BOLT SEAT LEAF SPRING
6	4	85519	U-BOLT ANCHOR PLATE

***MEANS NOT SHOWN**

FIGURE 8
CYLINDER BRAKING & COMPONENTS (OPTIONAL)

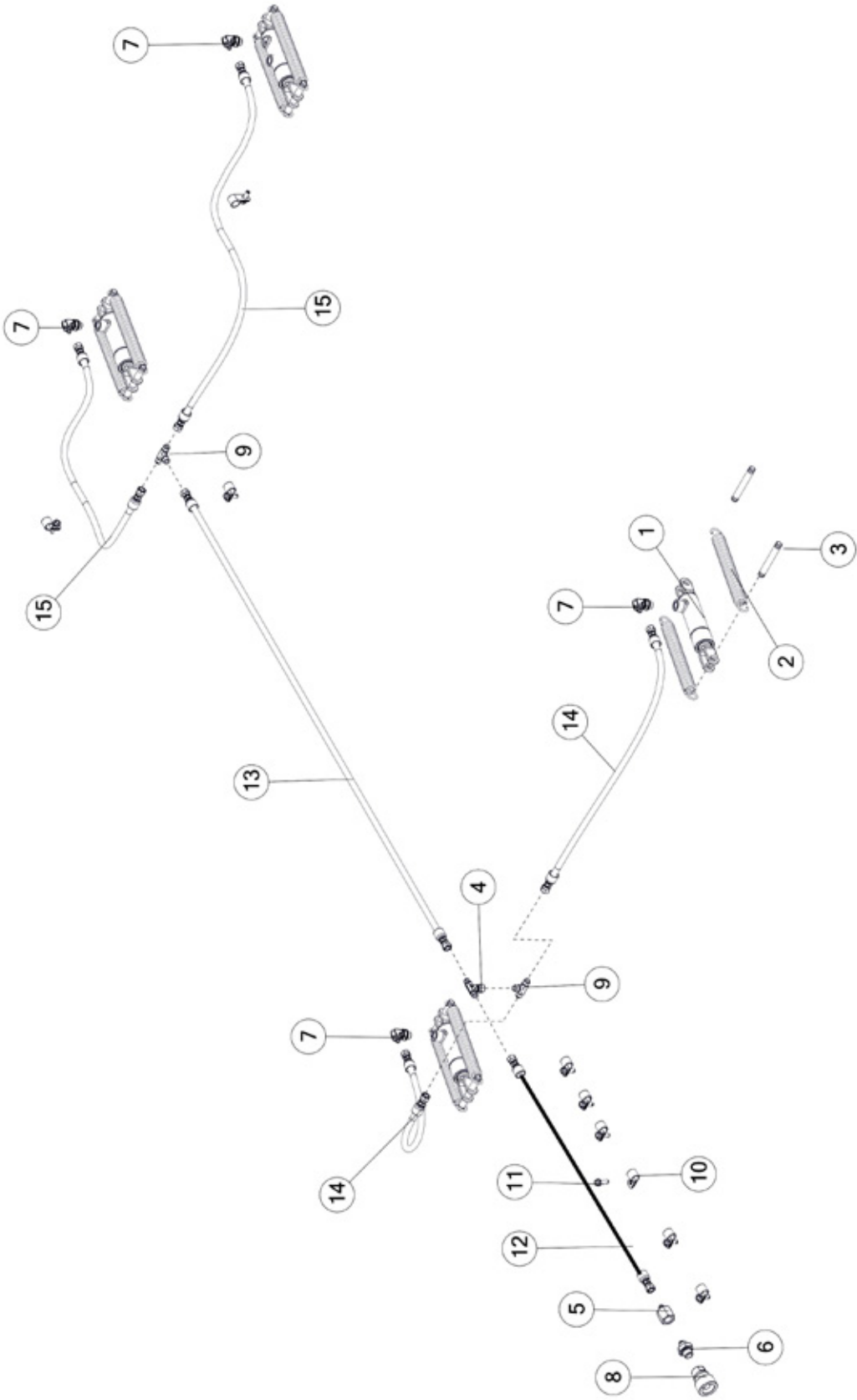


FIGURE 8

CYLINDER BRAKING & COMPONENTS (OPTIONAL)

<u>ITEM</u>	<u>QTY</u>	<u>PART#</u>	<u>DESCRIPTION</u>
1	4	85218	CYLINDER BRAKING SINGLE ACTION
2	8	85219	BRAKE CYLINDER RETURN SPRING
3	8	85220	PINS FOR 2 SPRINGS FOR BRAKING CYLINDER
4	4	58137	FITTING 6 S6X-S
5	4	58154	FITTING 6-8 GTX-S
6	4	82181	FITTING ST, 1/2-14BSPP,1/2 JIC
7	4	82182	FITTING 90, 3/8 BSPP,3/8JIC
8	4	82982	3/8IN BSP FEMALE O-RING FV COUPLER
9	5	CHM225	FITTING, T, 6 JIC, 6 JIC, 6 JIC, STL
10	9	HGV72	CUSHION WIRE CLAMP, 3/4
11	9	YSST10005	SELF THREADING FLANGE BOLT
12	1	85249	HYD HOSE, 4 X 339
13	1	85259	HYD HOSE, 4 X 60
14	2	85251	HYD HOSE, 4 X 36
15	2	85257	HYD HOSE, 4 X 48

FIGURE 9
TIRES (OPTIONAL)

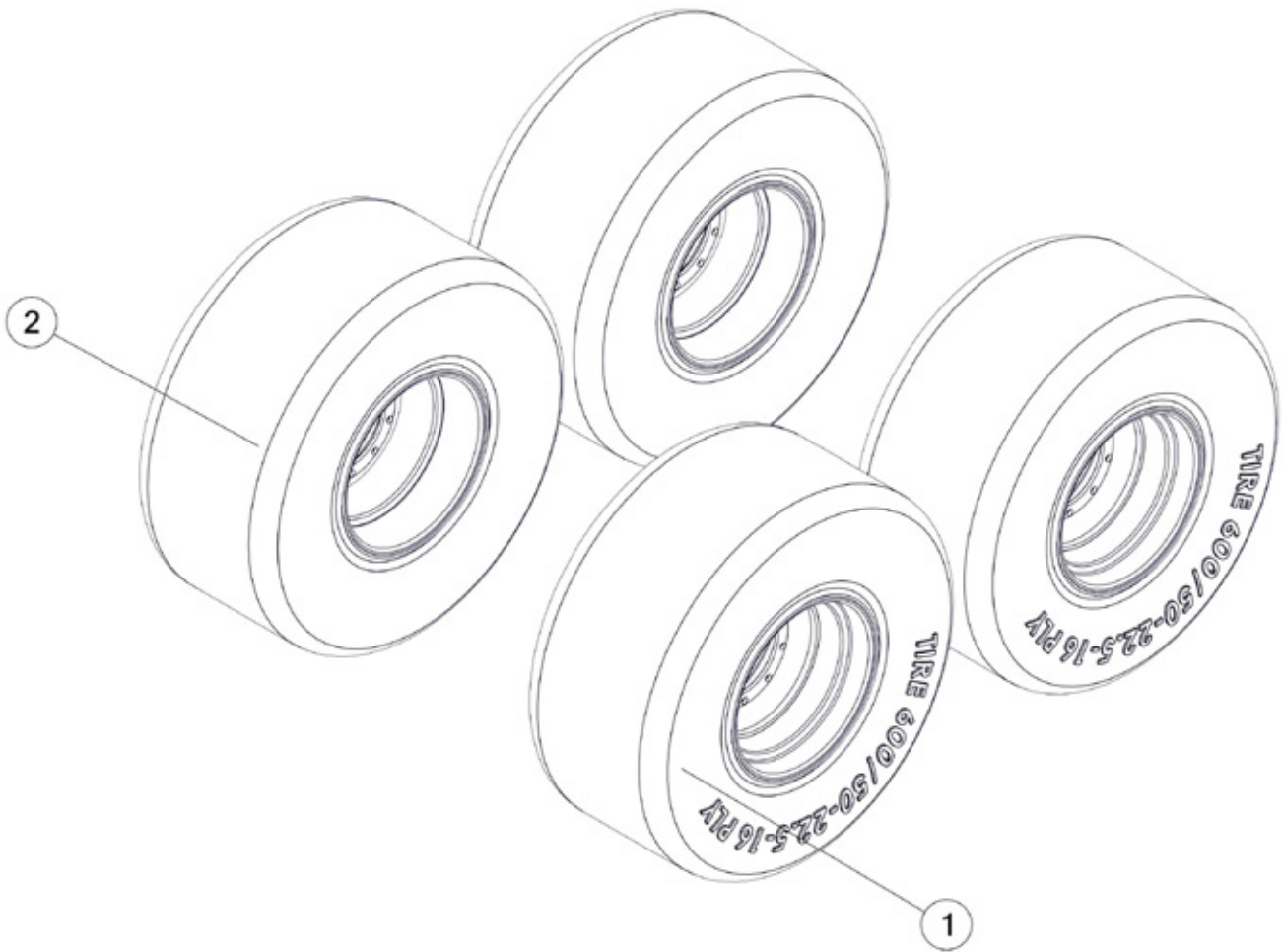


FIGURE 9
TIRES (OPTIONAL)

<u>ITEM</u>	<u>QTY</u>	<u>PART#</u>	<u>DESCRIPTION</u>
1	2	86196	600/50 X 22.5 FLOTATION TIRE RH
2	2	86195	600/50 X 22.5 FLOTATION TIRE LH
*	4	TWP700	700/50X22.5 FLOTATION IMPLEMENT TIRE/WHEEL

PARTS NOTES

H&S MFG. CO.

products approved

for the

FEMA

SEAL OF QUALITY

