



4130 CHASSIS

PARTS BOOK

Part #85887 HSMFG050121 Rev. #03 Starting Ser. #221CH43001

STRONG HERITAGE - STRONG PEOPLE - STRONGER FUTURE

CONTENTS

Instructions for Ordering Parts - About Improvements 1

Figure 1 - Bullnose Hitch & Component 2-3

Figure 2 - Front Pole & Components. 4-5

Figure 3 - Manual Holder. 6-7

Figure 4 - Axle Hardware 8-9

Figure 5 - Suspension Frame & Axle. 10-11

Figure 6 - Brake & Components. 12-13

Figure 7 - Suspension & Components. 14-15

Figure 8 -Cylinder Braking & Components (Optional). 16-17

Figure 9 - Optional Tires 18-19

Figure 10 - Optional Scale System CH08SCL 20-23

Notes 24

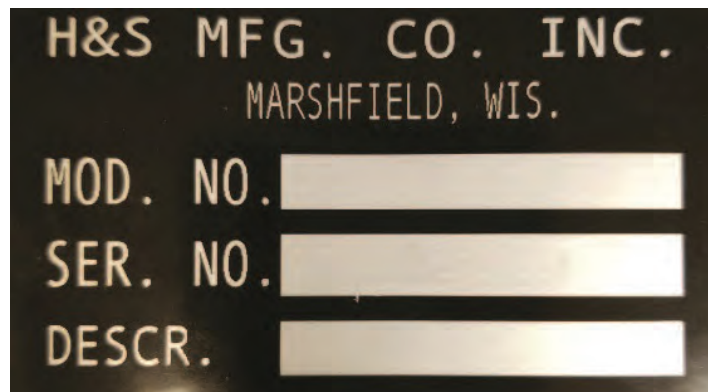
INSTRUCTIONS FOR ORDERING PARTS

All service parts should be ordered through your authorized H&S dealer. He will be able to give you faster service if you will provide them with the following:

1. Model & Serial Number - Both can be located on the center of the main front plate.
2. All references to left or right apply to the machine as viewed from the rear.
3. Parts should not be ordered from illustration only. Please order complete part number.
4. If your dealer has to order parts - give shipping instructions:

VIA truck - large pieces (please specify local truck lines)

VIA United Parcel Service (include full address)



PLEASE RECORD NUMBERS FOR YOUR UNIT FOR QUICK REFERENCE

ABOUT IMPROVEMENTS

H&S IS CONTINUALLY STRIVING TO IMPROVE IT'S PRODUCTS

We must therefore, reserve the right to make improvements or changes whenever it becomes practical to do so, without incurring any obligation to make changes or additions to the equipment previously sold.

FIGURE 1 **BULLNOSE HITCH & COMPONENTS**

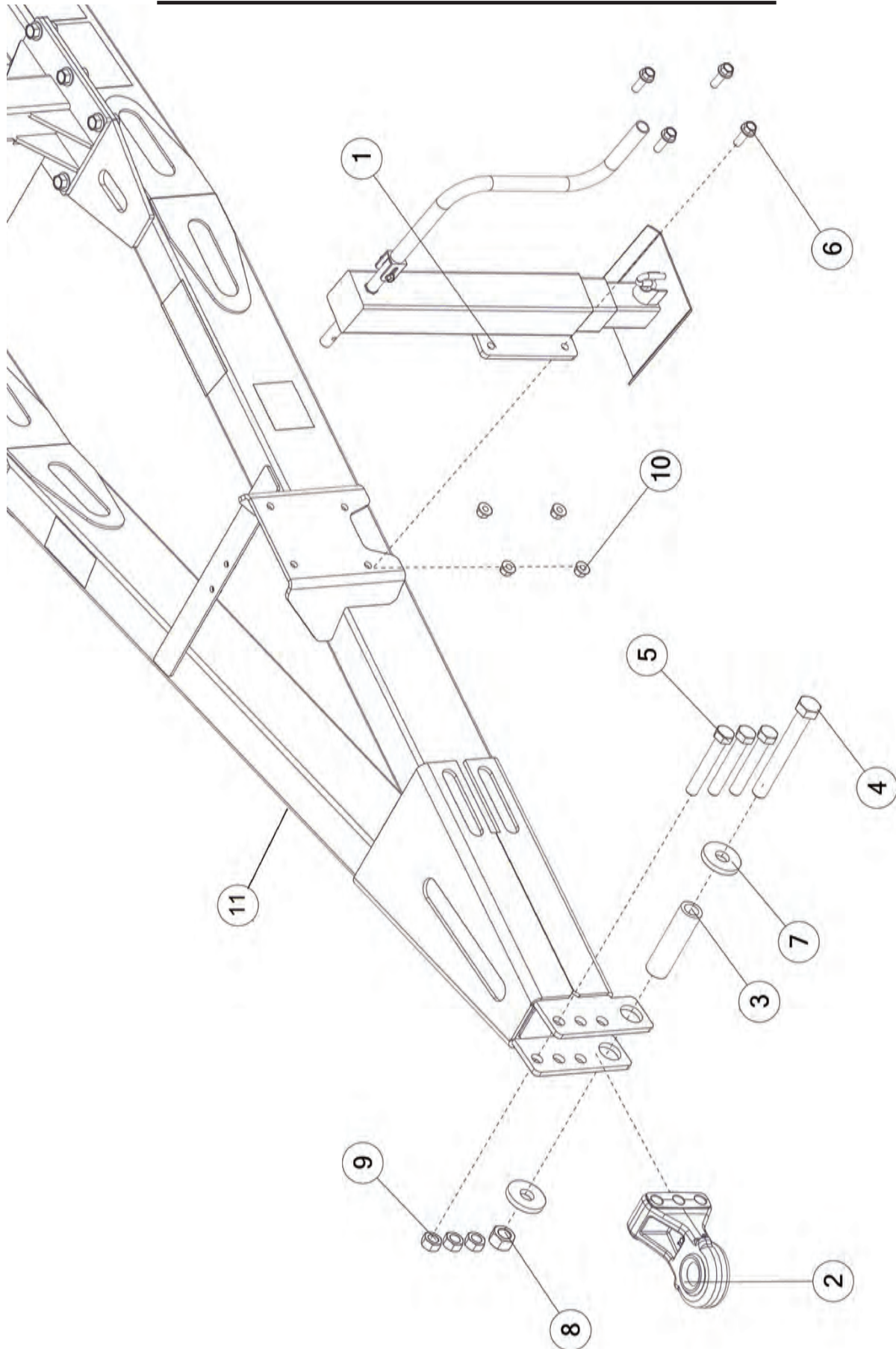


FIGURE 1
BULLNOSE HITCH & COMPONENTS

<u>ITEM</u>	<u>QTY</u>	<u>PART#</u>	<u>DESCRIPTION</u>
1	1	88787	SIDE WIND JACK
2	1	80988	BULLNOSE HITCH
3	1	91295	TUBE
4	1	YBHH40010	BOLT HEX, 1-1/4 X 10 G5
5	3	YBHH32028	BOLT HEX, 1-8 X 6-1/2 G8
6	4	YBFB20200	BOLT FLANGE, 5/8 X 2 G5
7	2	88825	WASHER, FLAT, 1-1/4
8	1	YNHX36010	NUT HEX, 1-1/4-7 NAA ZC
9	3	YNTL32005	NUT HEX, 1-8 LKTL C ZC
10	4	YNFG20005	NUT FLANGE, 5/8-11 LKTL F ZC
11	1	81159	HITCH

FIGURE 2 **FRONT POLE & COMPONENTS**

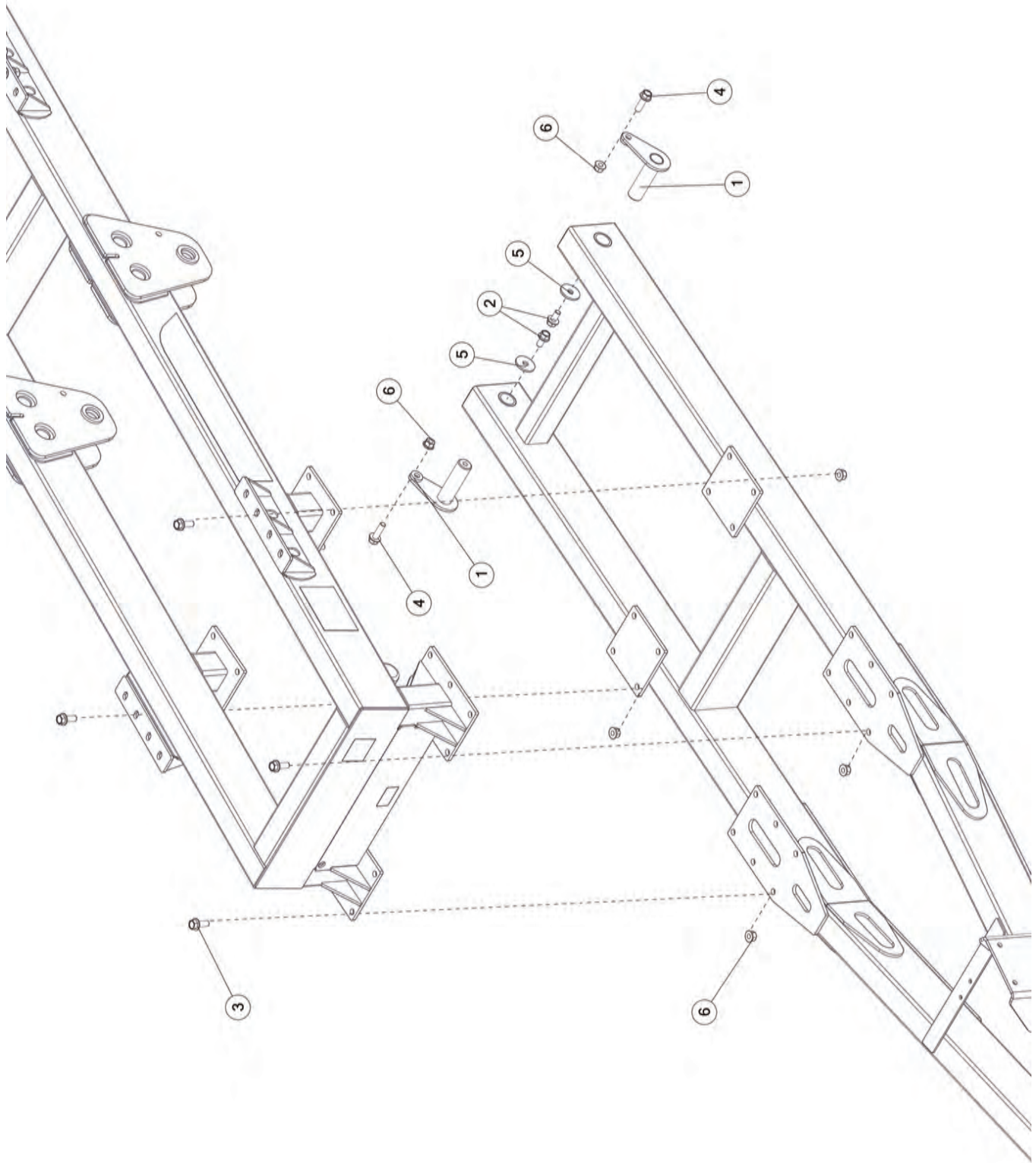


FIGURE 2
FRONT POLE & COMPONENTS

<u>ITEM</u>	<u>QTY</u>	<u>PART#</u>	<u>DESCRIPTION</u>
1	2	80962	HITCH PIN
2	2	YBFB24150	BOLT FLANGE, 3/4 X 1-1/2 G5
3	20	YBFB24200	BOLT FLANGE, 3/4 X 2 G5
4	2	YBFB24250	BOLT FLANGE, 3/4 X 2-1/2 G5
5	2	82233	HITCH PIN WASHER
6	22	YNFG24006	NUT FLANGE, 3/4-10 LKTL G ZC

FIGURE 3
MANUAL HOLDER

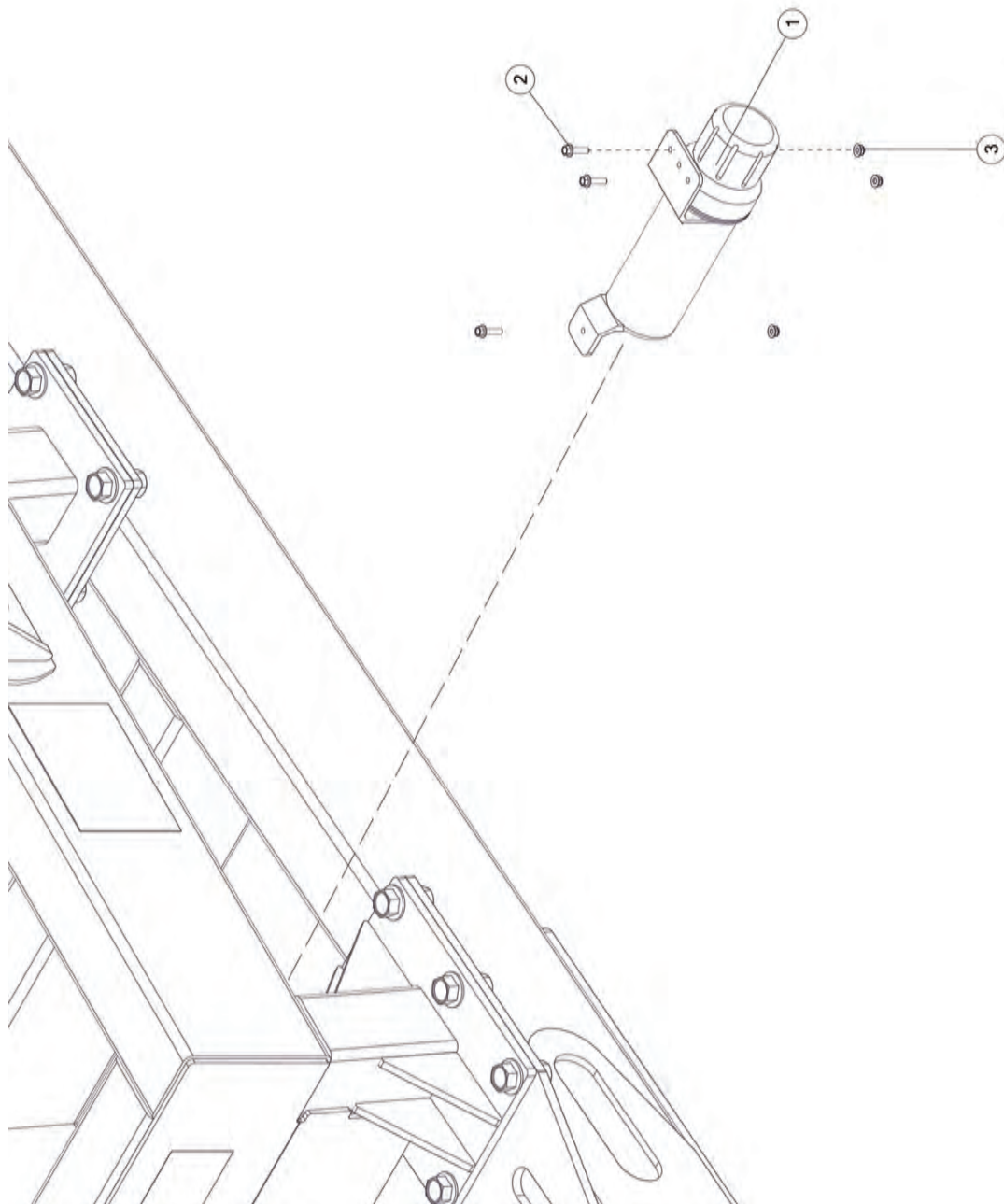


FIGURE 3
MANUAL HOLDER

<u>ITEM</u>	<u>QTY</u>	<u>PART#</u>	<u>DESCRIPTION</u>
1	1	S522	MANUAL HOLDER
2	3	YBFB08100	BOLT FLANGE, 1/4 X 1 G5
3	3	YNFG08010	NUT FLANGE, 1/4

FIGURE 4
AXLE HARDWARE

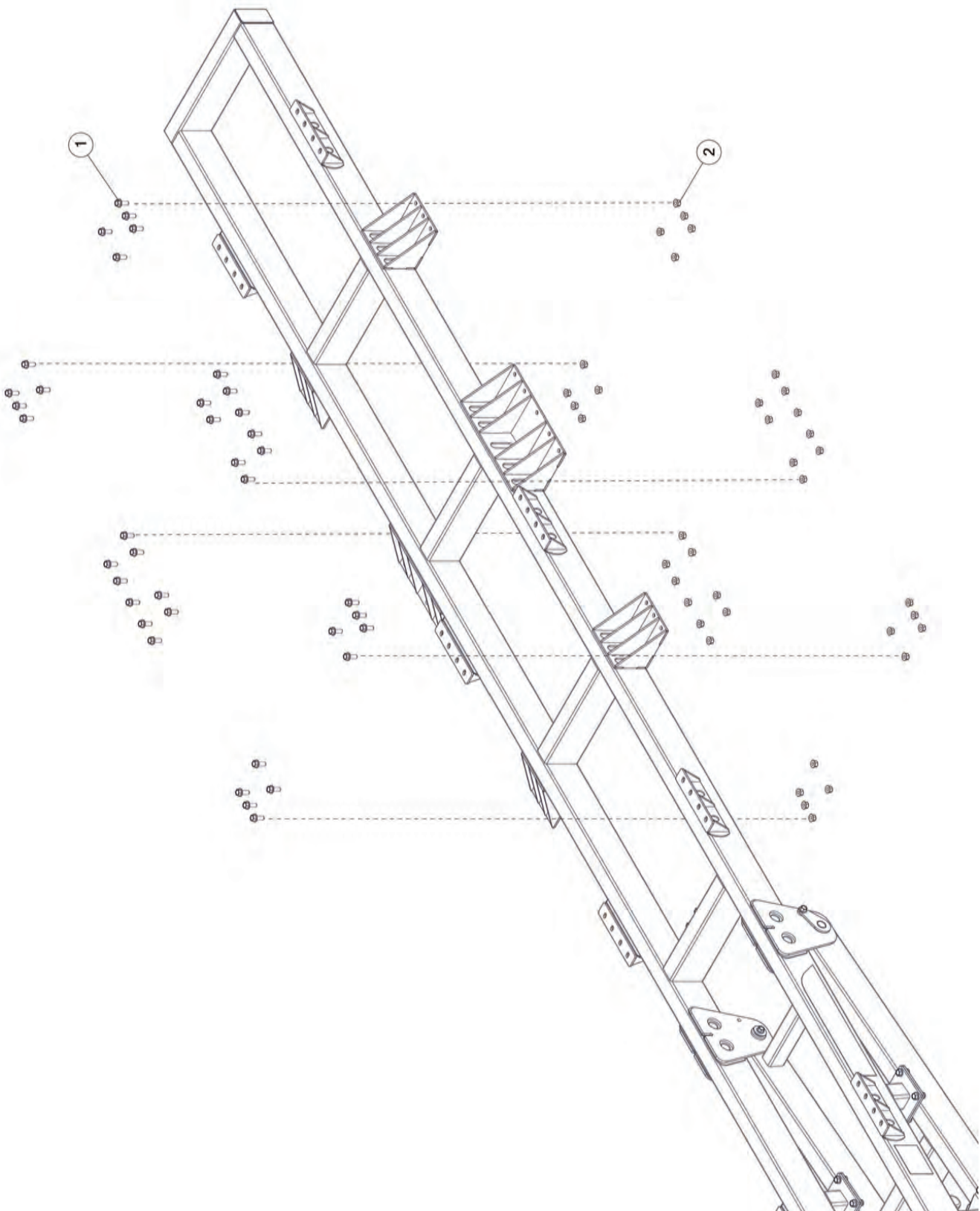


FIGURE 4
AXLE HARDWARE

<u>ITEM</u>	<u>QTY</u>	<u>PART#</u>	<u>DESCRIPTION</u>
1	38	YBFB24200	BOLT FLANGE, 3/4 X 2 G5
2	38	YNFG24006	NUT FLANGE, 3/4

FIGURE 5
SUSPENSION FRAME & AXLE

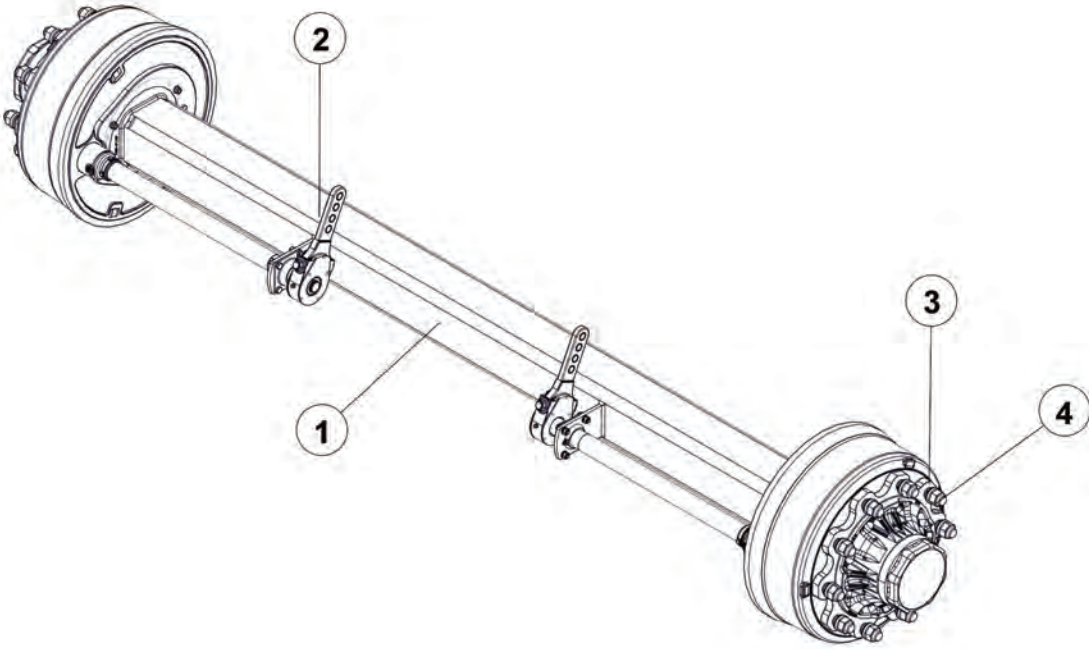


FIGURE 5
SUSPENSION FRAME & AXLE

<u>ITEM</u>	<u>QTY</u>	<u>PART#</u>	<u>DESCRIPTION</u>
1	2	87398	15 TON AXLE
2	4	85527	BRAKE LEVER
3	40	8306	LUG NUT
4	40	85524	STUD

FIGURE 6 BRAKES & COMPONENTS

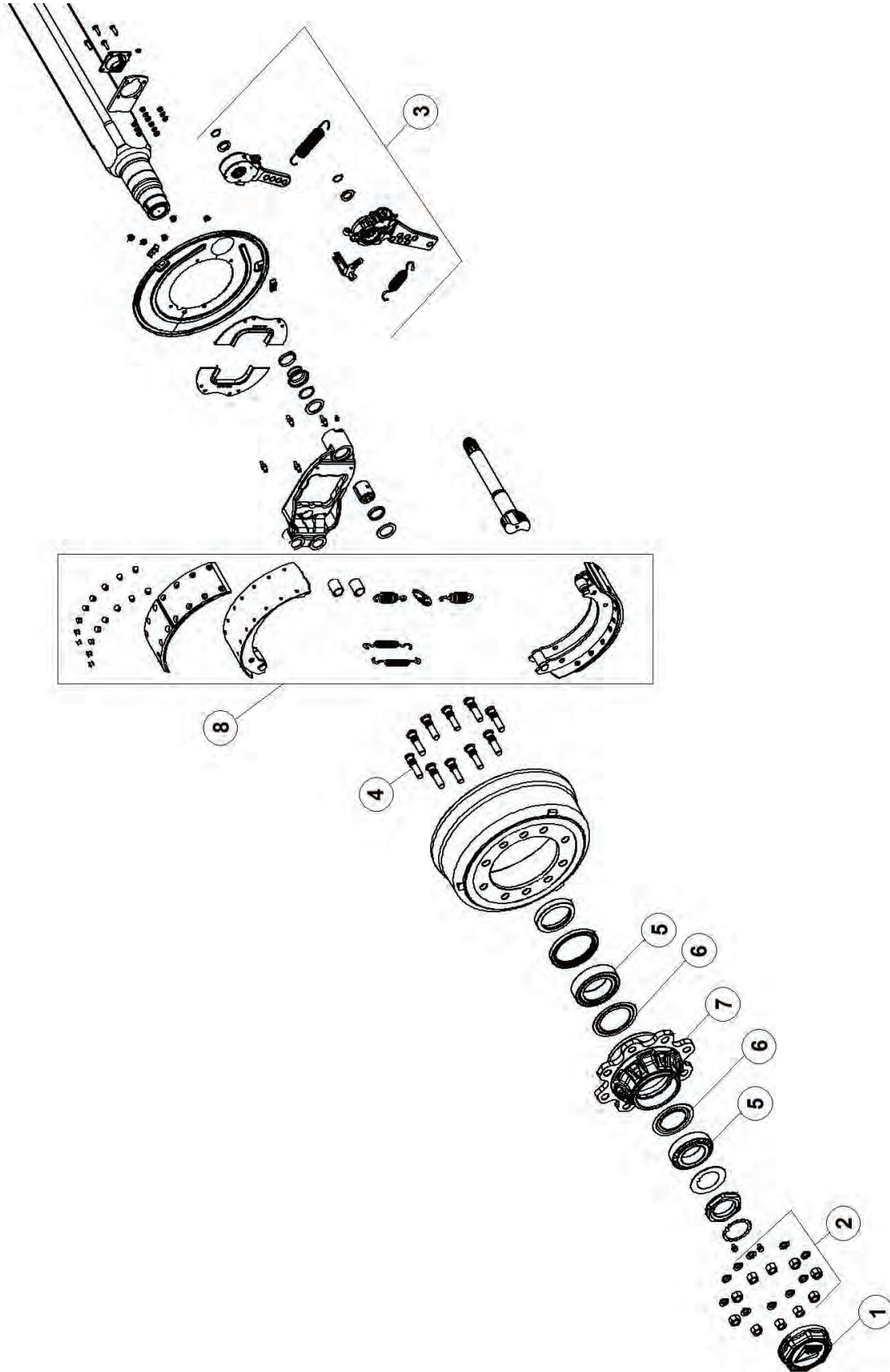


FIGURE 6
BRAKES & COMPONENTS

<u>ITEM</u>	<u>QTY</u>	<u>PART#</u>	<u>DESCRIPTION</u>
1	4	85523	END CAPS
2	40	8306	LUG NUT
3	4	85527	BRAKE LEVER
4	40	85524	STUD
5	4	85521	BEARING KIT FOR ONE HUB
6	4	85522	SEAL KIT FOR ONE HUB
7	4	85473	HUB
8	4	85526	BRAKE SHOES/SPRINGS

FIGURE 7
SUSPENSION & COMPONENTS

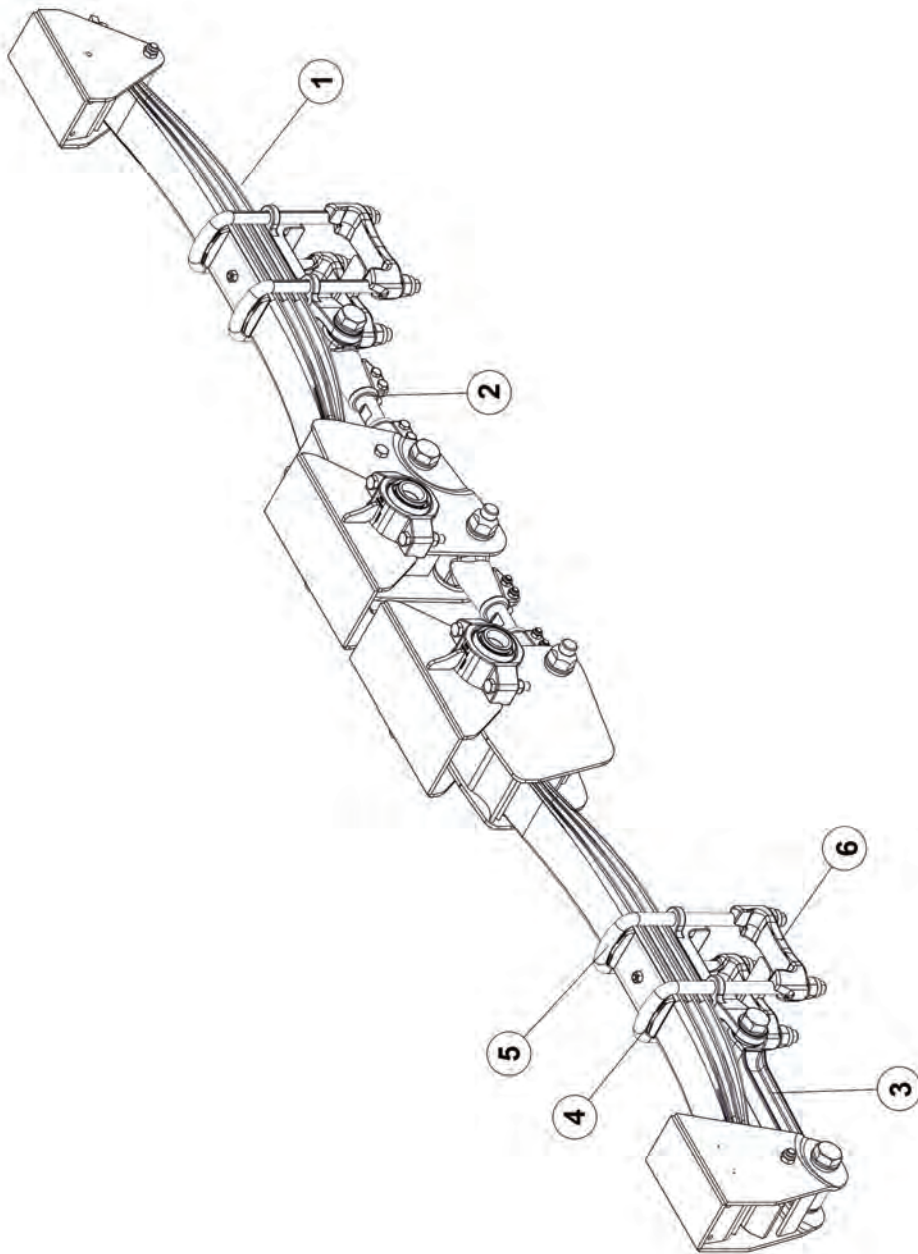


FIGURE 7
SUSPENSION & COMPONENTS

<u>ITEM</u>	<u>QTY</u>	<u>PART#</u>	<u>DESCRIPTION</u>
1	4	85469	LEAF SPRING
2	4	85475	TIE ROD ADJUSTABLE LONG
3	2	85474	TIE ROD ADJUSTABLE SHORT
4	8	85480	U-BOLT
5	8	85479	U-BOLT SEAT LEAF SPRING
6	4	85519	U-BOLT ANCHOR PLATE

FIGURE 8
CYLINDER BRAKING & COMPONENTS (OPTIONAL)

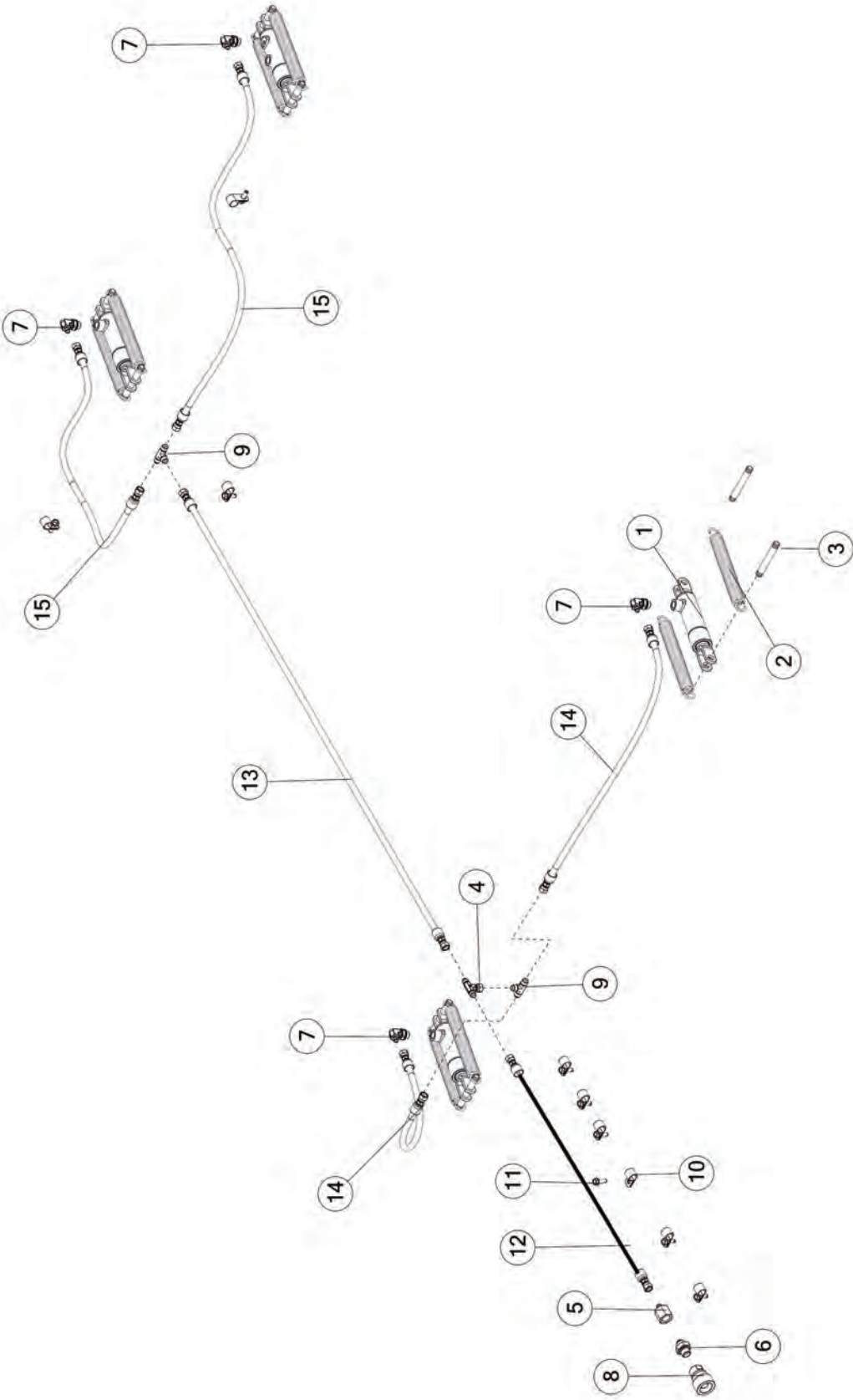


FIGURE 8

CYLINDER BRAKING & COMPONENTS (OPTIONAL)

<u>ITEM</u>	<u>QTY</u>	<u>PART#</u>	<u>DESCRIPTION</u>
1	4	85218	CYLINDER BRAKING SINGLE ACTION
2	8	85219	BRAKE CYLINDER RETURN SPRING
3	8	85220	PINS FOR 2 SPRINGS FOR BRAKING CYLINDER
4	4	58137	FITTING 6 S6X-S
5	4	58154	FITTING 6-8 GTX-S
6	4	82181	FITTING ST, 1/2-14BSPP,1/2 JIC
7	4	82182	FITTING 90, 3/8 BSPP,3/8JIC
8	4	82982	3/8IN BSP FEMALE O-RING FV COUPLER
9	5	CHM225	FITTING, T, 6 JIC, 6 JIC, 6 JIC, STL
10	9	HGV72	CUSHION WIRE CLAMP, 3/4
11	9	YSST10005	SELF THREADING FLANGE BOLT
12	1	85249	HYDRAULIC HOSE, 4 X 339
13	1	85259	HYDRAULIC HOSE, 4 X 60
14	2	85251	HYDRAULIC HOSE, 4 X 36
15	2	85257	HYDRAULIC HOSE, 4 X 48

FIGURE 9
TIRES (OPTIONAL)

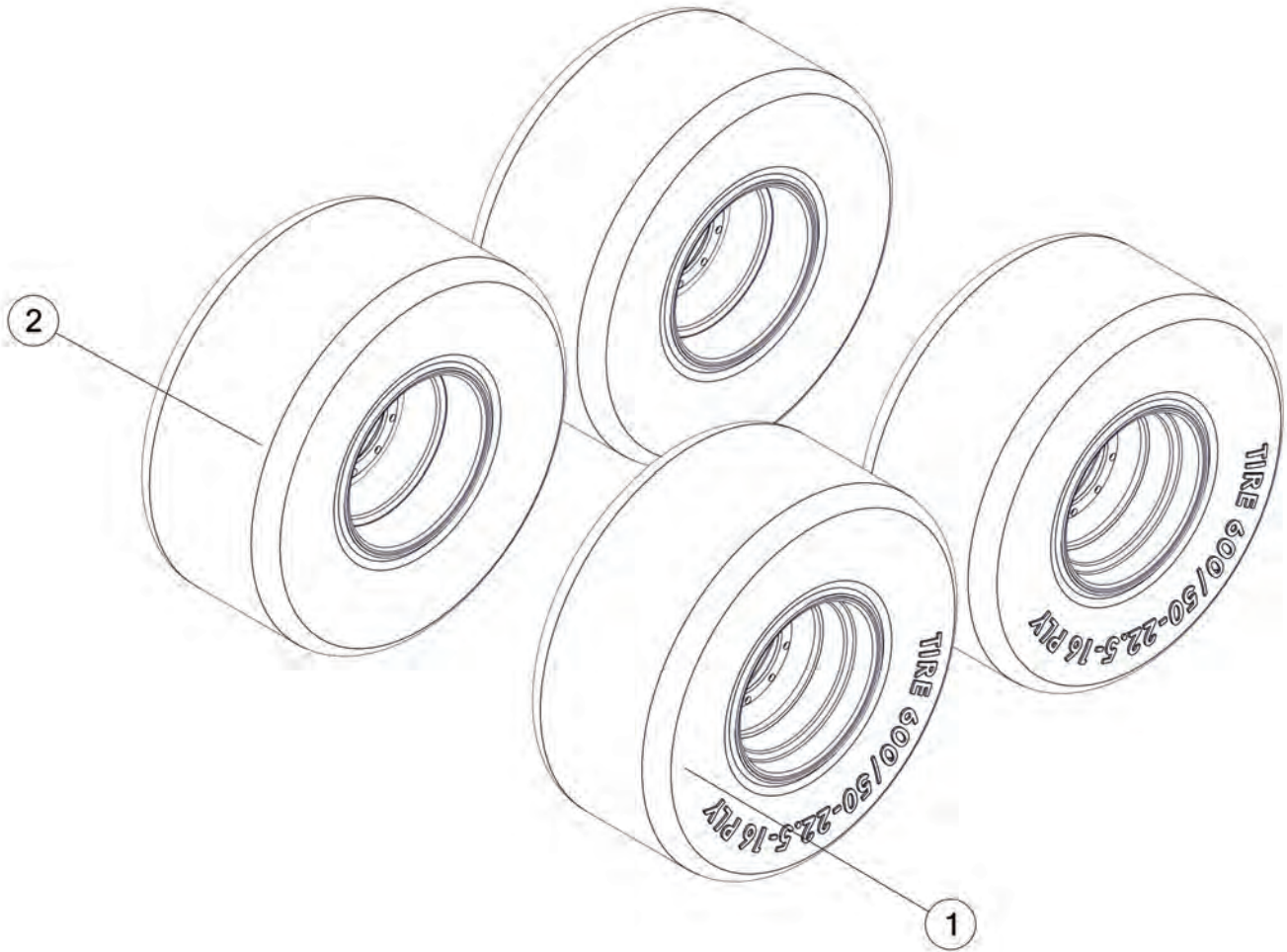


FIGURE 9
TIRES (OPTIONAL)

<u>ITEM</u>	<u>QTY</u>	<u>PART#</u>	<u>DESCRIPTION</u>
1	2	33492SR	ASSEMBLY, TIRE/WHEEL (LH)
2	2	85254SR	ASSEMBLY, TIRE/WHEEL (RH)
*	1	TWP700S	(4) 700/50 X 22.5 FLOTATION TIRES/RIMS
*	4	TS264	700/50 X 22.5 FLOTATION TIRE
*	4	TS262SR	WHEEL 22.5 x 24.0, 10 BOLT, 0 OFFSET, SILVER
*	4	72437	VALVE STEM, 1.25 HD

FIGURE 10 **OPTIONAL CHO8SCL SCALE SYSTEM**

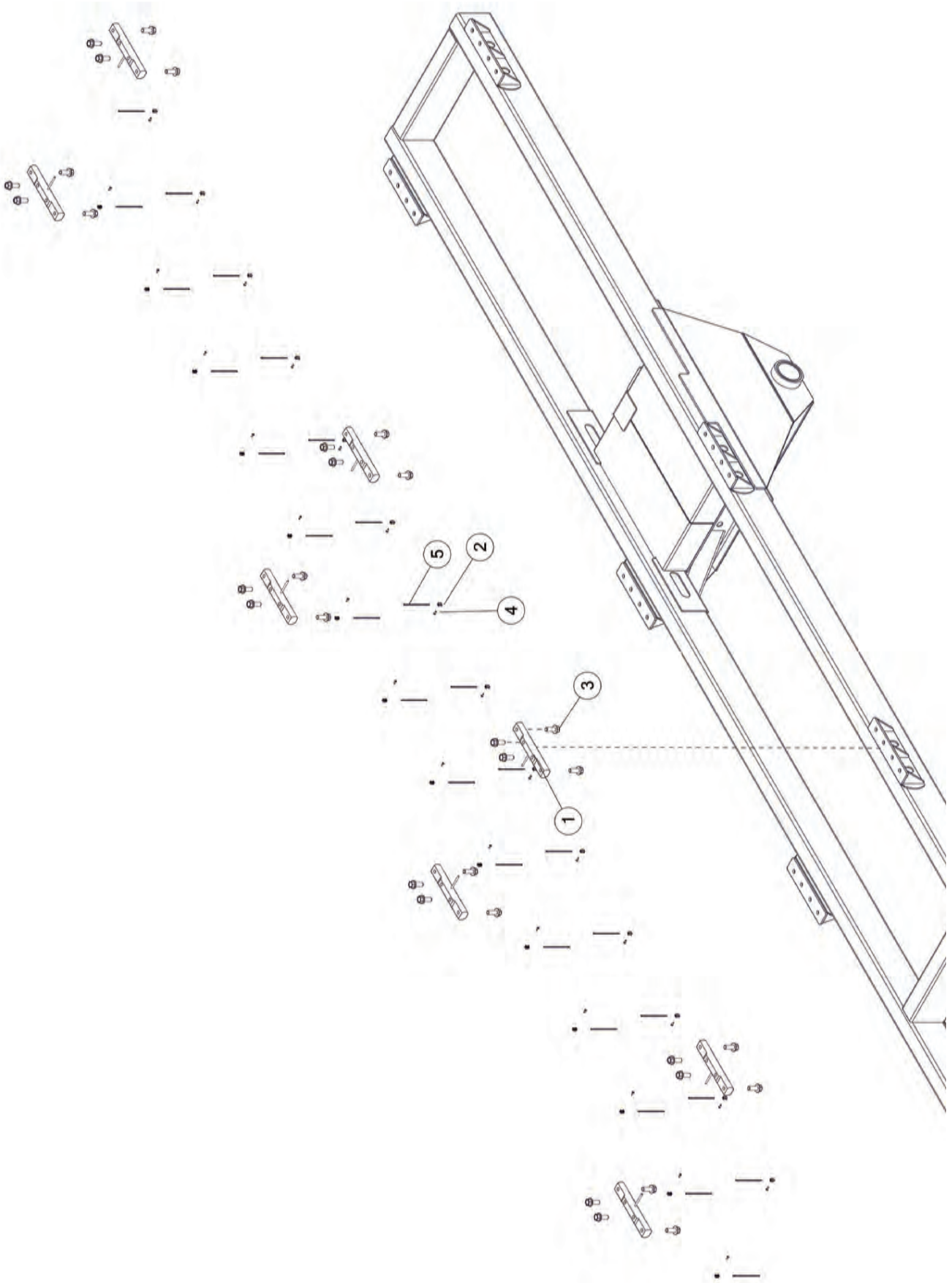


FIGURE 10
OPTIONAL CHO8SCL SCALE SYSTEM

<u>ITEM</u>	<u>QTY</u>	<u>PART#</u>	<u>DESCRIPTION</u>
1	8	90363	LOAD CELL
2	28	71890	CABLE TIE HOLD DOWN
3	32	YBFB24200	BOLT FLANGE, 3/4 X 2 G5
4	28	YSTC64005	THREAD CUTTING SCREW, PAN HEAD, 10-32 X 1/2
5	28	CIZT108	ZIPTIE, 6 X .14 X .05

FIGURE 10 **OPTIONAL CHO8SCL SCALE SYSTEM**

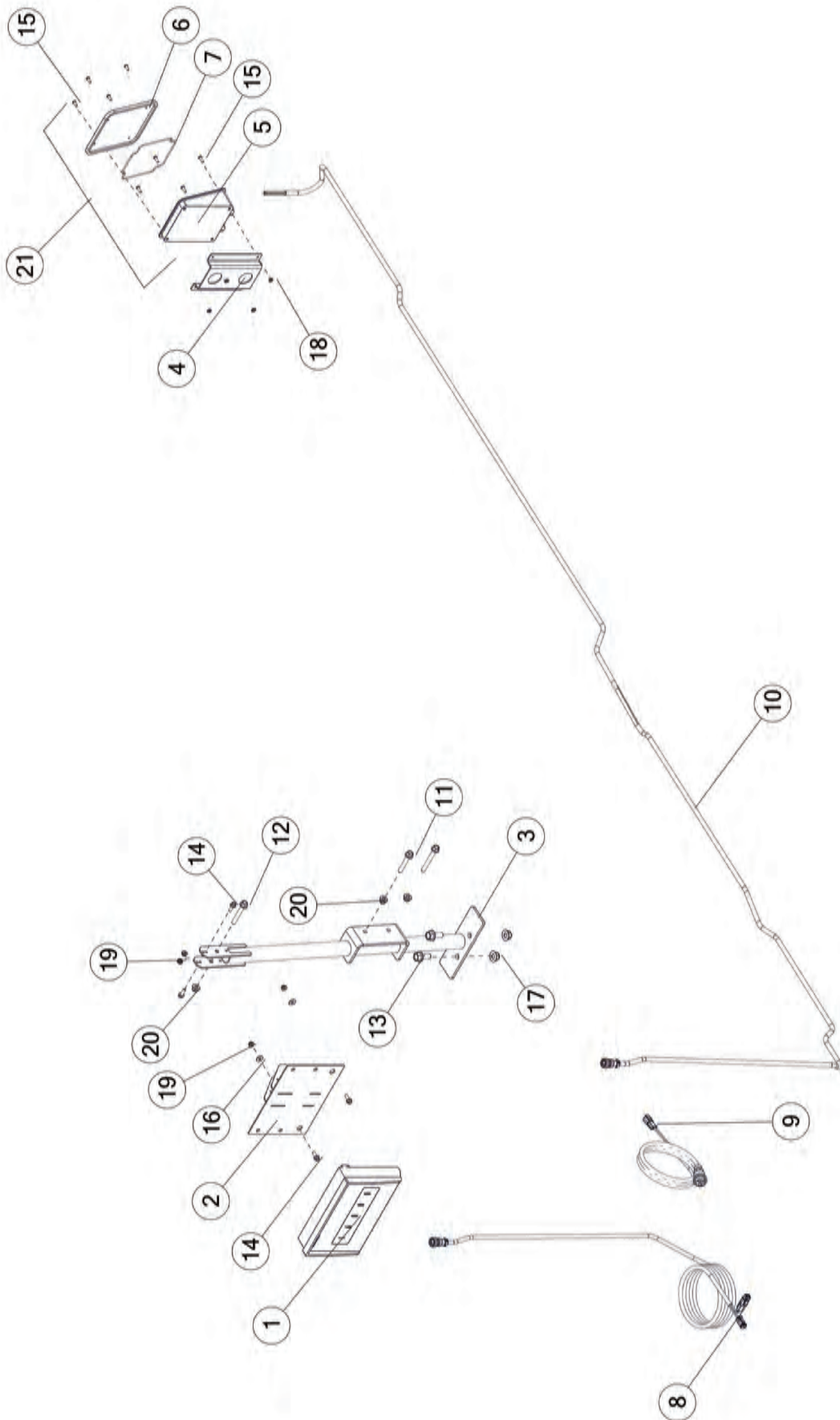


FIGURE 10

OPTIONAL CHO8SCL SCALE SYSTEM

<u>ITEM</u>	<u>QTY</u>	<u>PART#</u>	<u>DESCRIPTION</u>
1	1	GM404	SCALE MONITOR
2	1	92335	MOUNT, SCALE HEAD
3	1	92336	BRACKET, SCALE HEAD
4	1	71840	BRACKET, J BOX MOUNT
5	1	71904	HSG J-BOX BOTTOM 6-8 CELL
6	1	71911	HSG-J BOX TOP
7	1	71909	GASKET, J-BOX HOUSING
8	1	92356	ELECTRIC HARNESS, SCALE
9	1	59107	POWER CABLE
10	1	GM406	JUNCTION BOX CORD
11	2	YBFB12225	BOLT FLANGE, 3/8 X 2-1/4 G5
12	1	YBFB12250	BOLT FLANGE, 3/8 X 2-1/2 G5
13	2	YBFB16125	BOLT FLANGE, 1/2 X 1-1/4 G5
14	4	YBFB08075	BOLT FLANGE, 1/4 X 3/4 G5
15	8	YSPN64005	SCREW PAN HEAD, #10-24 X 5/8
16	2	YWFL08005	WASHER FLAT, 1/4
17	2	YNFG16003	NUT FLANGE, 1/2 GF
18	4	YNHX64010	NUT HEX, MACHINE, #10-24, ZC
19	4	YNFG08010	NUT FLANGE , 1/4 GF
20	3	YNFG12006	NUT FLANGE, 3/8 GF
21	1	71914	CELL MODULE ASSY, J-BOX 6-8

CHANGE NOTES

H&S MFG. CO.
products approved
for the
FEMA
SEAL OF QUALITY



Manufactured by:
H&S MANUFACTURING CO., INC.
2608 S. HUME AVE. MARSHFIELD, WI 54449
(715) 387-3414 | hsmfgco.com

