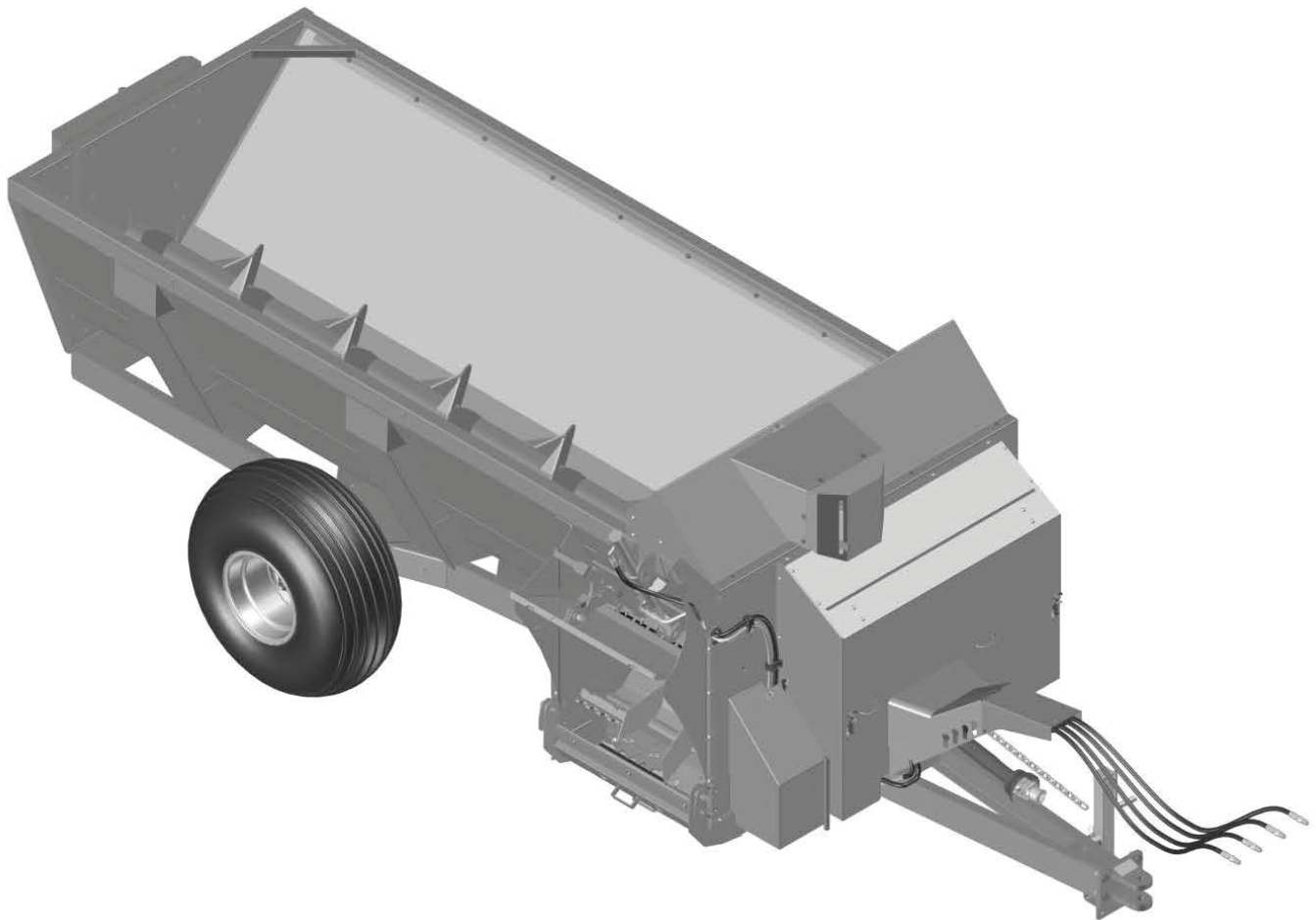


H&S

PARTS BOOK

5215 TOP SHOT MANURE SPREADER



Revision #03

Starting Ser. #022TS15001

HSMFGC0720

PART#72418

Manufactured By
H&S MANUFACTURING CO., INC.
2608 S. HUME AVE. MARSHFIELD, WI 54449
(715) 387-3414 FAX (715) 384-8736

CONTENTS

Instructions for Ordering Parts - About Improvements.	1
Figure 1 - Auger/Liner/Slides/Hitch.	2-3
Figure 2 - Auger Drive.	4-7
Figure 3 - Expeller/Discharge Gate/ Bearings.	8-9
Figure 4 - Expeller/Discharge Gate/Door.	10-11
Figure 5 - Expeller/Discharge Gate/Pan.	12-13
Figure 6 - Input Shaft/Expeller Drive.	14-15
Figure 7 - Guards/Shields.	16-17
Figure 8 - Front Splash Guard.	18-19
Figure 9 - Rear Splash Guard/Rails - Optional.	20-21
Figure 10 - Rear Splash Guard - Optional.	22-23
Figure 11 - Hydraulics.	24-25
Figure 12 - Single Axle.	26-27
Figure 13 - Tandem Axles - Optional.	28-29
Figure 14 - Oiler Kit - Optional.	30-31
Figure 15 - Drop Axle - Optional	32-33
Figure 16 - Front Grease Lines.	34-35
Figure 17 - Lights - Optional.	36-37
Figure 18 - Auger.	38-39
Figure 19 - Auger Front/Rear Hydraulic Cylinder.	40-41
Figure 20 - Trunnion Mount Hydraulic Cylinder.	42-43
Figure 21 - PTO (540 Rpm)	44-45
Figure 22 - PTO (1000 Rpm)	46-47
Parts Notes	48

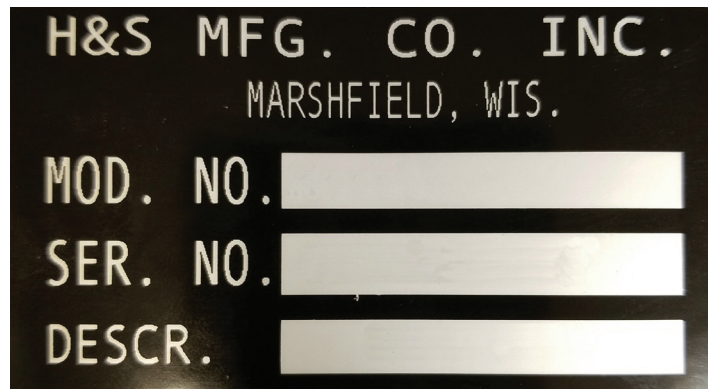
INSTRUCTIONS FOR ORDERING PARTS

All service parts should be ordered through your authorized H&S dealer. He will be able to give you faster service if you will provide them with the following:

1. Model & Serial Number - Both can be located on the front main frame, below the PTO.
2. All references to left or right apply to the machine as viewed from the rear.
3. Parts should not be ordered from illustration only. Please order complete part number.
4. If your dealer has to order parts - give shipping instructions:

VIA truck - large pieces (please specify local truck lines)

VIA United Parcel Service (include full address)



H&S MFG. CO. INC.
MARSHFIELD, WIS.
MOD. NO.
SER. NO.
DESCR.

PLEASE RECORD NUMBERS FOR YOUR UNIT FOR QUICK REFERENCE

ABOUT IMPROVEMENTS

H&S IS CONTINUALLY STRIVING TO IMPROVE IT'S PRODUCTS

We must therefore, reserve the right to make improvements or changes whenever it becomes practical to do so, without incurring any obligation to make changes or additions to the equipment previously sold.

FIGURE 1 AUGER/LINER/SLIDES/HITCH

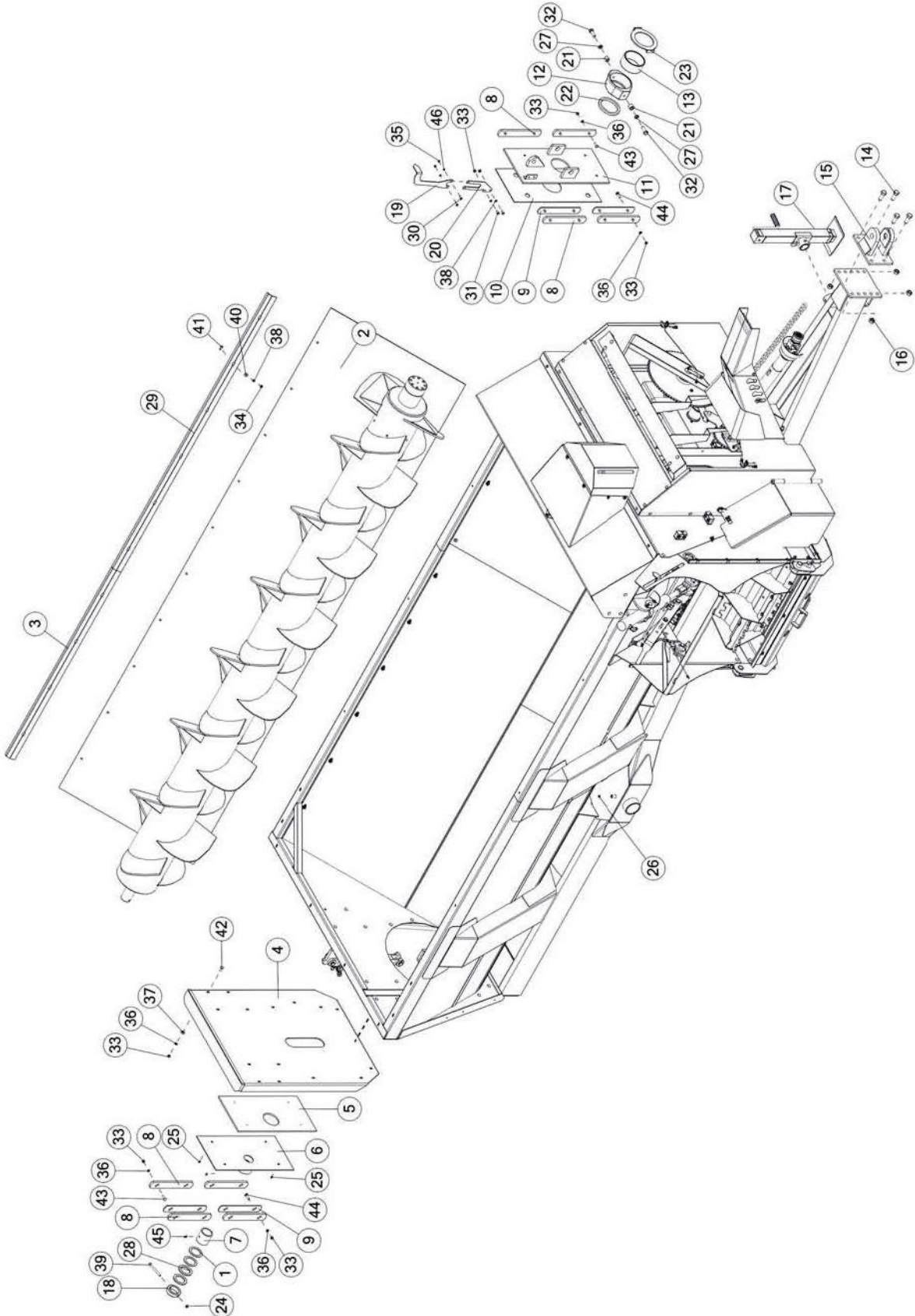


FIGURE 1

AUGER/LINER/SLIDES/HITCH

<u>ITEM</u>	<u>QTY</u>	<u>PART#</u>	<u>DESCRIPTION</u>
1	A/R	TS28	SHIM
2	1	57410	TUB SIDE POLY
3	1	57415	SHORT HOLD DOWN
4	1	57220	BACK PANEL
5	1	57243	BACK SLIDER
6	1	57233	SLIDER POLY
7	1	TS9	BUSHING
8	8	TS10	SLIDER GUIDE
9	4	TS308	SLIDER GUIDE THIN
10	1	TS11	FRONT POLY SLIDE
11	1	TS12	FRONT SLIDE PLATE
12	1	TS14	TRUNION CASTING
13	1	TS15	BRONZE BUSHING
*	1	TS399	TRUNNION HOUSING ASSY. ITEM 12 & 13
14	4	YBHH24018	BOLT HEX, 3/4 X 2 G8
15	1	59755	CLEVIS HITCH
16	4	YNL24006	NUT HEX, 3/4 LKTL
17	1	TS306	SQUARE JACK
18	1	TS19	AUGER BACK COLLAR
19	1	TS207	AUGER INDICATOR TOP
20	1	TS208	AUGER INDICATOR BOTTOM
21	2	TS330	BUSHING
22	1	TS33	RUBBER GASKET
23	1	TS102	TRUNNION SPACER
24	1	YNL12005	NUT HEX, 3/8
25	4	G89	ZERK, 1/4-28
26	2	BFR28	ZERK, 1/8 NPT
27	2	YWLO20005	WASHER LOCK, 5/8
28	2	TS227	SHIM
29	1	TS4	POLY TOP HOLD DOWN
30	2	YBHH08100	BOLT, 1/4 X 3/4 G5
31	2	YBHH10105	BOLT, 5/16 X 3/4 G5
32	2	YBHH20022	BOLT, 5/8 X 1-3/4 G8
33	33	YNHX12005	NUT HEX, 3/8
34	20	YNHX10005	NUT HEX, 5/16
35	2	YNHX08005	NUT HEX, 1/4
36	33	YWLO12005	WASHER LOCK, 3/8
37	15	YWFL12005	WASHER FLAT, 3/8 USS
38	20	YWLO10005	WASHER LOCK, 5/16
39	1	YSHS12018	SCREW SOCKET HEAD, 3/8 X 4
40	20	YWFL10005	WASHER FLAT, 5/16
41	20	YBHH10045	BOLT HEX, 5/16 X 1-1/4 G5
42	15	YBCR12010	BOLT CARR, 3/8 X 1 G5
43	4	YBCR12020	BOLT CARR, 3/8 X 1-1/4 G5
44	12	YBCR12015	BOLT CARR, 3/8 X 1-1/2 G5
45	2	RG51	ZERK 1/4-28
46	2	YWLO08005	WASHER LOCK, 1/4

***MEANS NOT SHOWN**

A/R MEANS AS REQUIRED

FIGURE 2 AUGER DRIVE

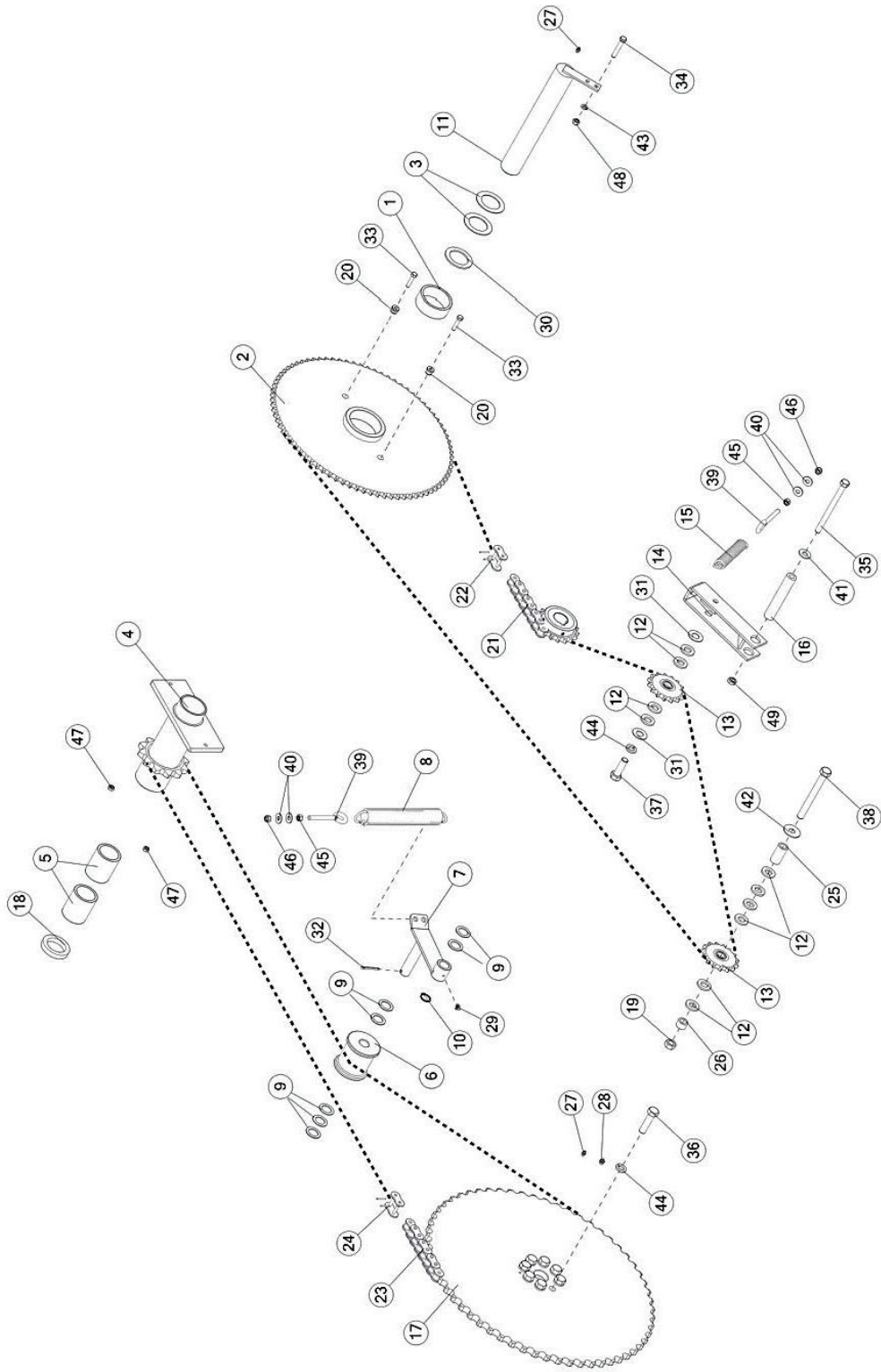


FIGURE 2 AUGER DRIVE

<u>ITEM</u>	<u>QTY</u>	<u>PART#</u>	<u>DESCRIPTION</u>
1	1	TS20	BUSHING
2	1	TS21	SPROCKET 80T (540RPM)
*	1	TS312	SPROCKET 119T (1000RPM)
3	A/R	TS22	SHIM
4	1	TS23	COUNTER SHAFT ASSEMBLY (INCLUDES ITEM #5)
5	2	RG60	BUSHING
6	1	TS25	ROLLER IDLER
7	1	TS26	AUGER CHAIN TENSIONER
8	1	BFR138	SPRING
9	7	S345	SPACER
10	1	3G21	SNAP RING
11	1	73569	SHAFT
12	A/R	T73	SPACER
13	2	TS29	SPROCKET, ASSY
14	1	TS30	IDLER ASSY
15	1	ST36	SPRING EXTENSION
16	1	TS31	TENSIONER PIVOT TUBE
17	1	TS32	SPROCKET 60T, ASSY
18	1	TS328	SPACER
19	1	HGV162	WIRE HOLDER
20	2	TS34	BUSHING
21	1	57544	ROLLER CHAIN, #60HE X 138P (540 RPM - 18T & 15SPKT)
*	1	57890	ROLLER CHAIN, #60HE X 136P (540 RPM - 13T SPKT)
*	1	57891	ROLLER CHAIN, #60HE X 140P (540 RPM - 20T SPKT)
*	1	57892	ROLLER CHAIN, #60HE X 166P (1000 RPM - 15T SPKT)
*	1	57893	ROLLER CHAIN, #60HE X 165P (1000 RPM - 13T SPKT)
*	1	57894	ROLLER CHAIN, #60HE X 167P (1000 RPM - 16T SPKT)
22	1	57887	CONNECTOR LINK
23	1	57547	ROLLER CHAIN, #100HE X 75
24	1	57886	CONNECTOR LINK
25	1	TS396	SPACER

***MEANS NOT SHOWN**

A/R MEANS AS REQUIRED

FIGURE 2 AUGER DRIVE

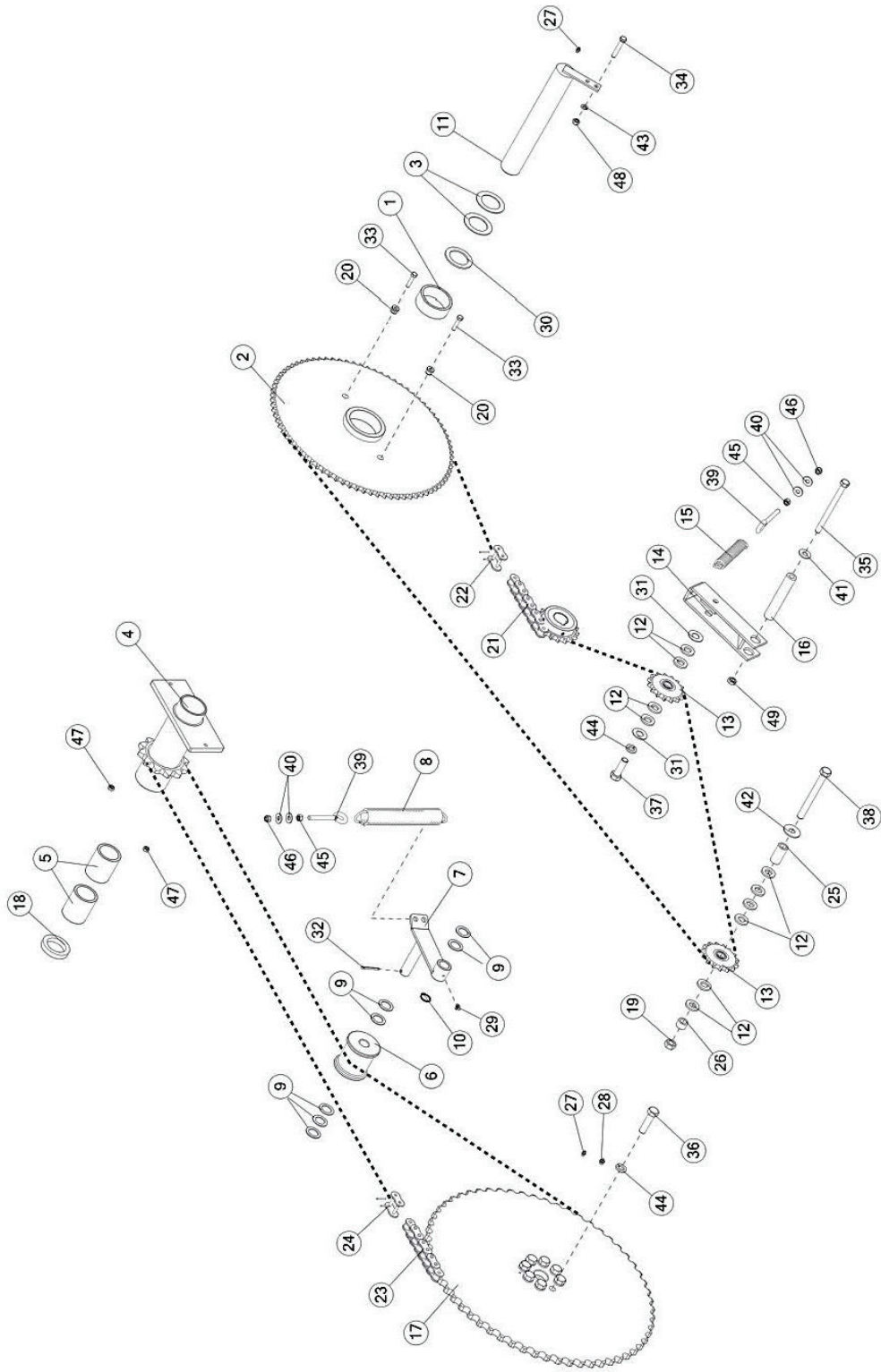


FIGURE 2 AUGER DRIVE

<u>ITEM</u>	<u>QTY</u>	<u>PART#</u>	<u>DESCRIPTION</u>
26	1	TS397	SPACER
27	2	G89	ZERK
28	2	BFR28	ZERK, 1/8 NPT
29	1	RG51	ZERK, 1/4-28
30	A/R	56N183	SPACER
31	A/R	16SV49	SPACER
32	1	YPCT06005	COTTER PIN, 3/16 X 1-1/2
33	2	YBHH10036	BOLT, 5/16 X 1-1/2 G8
*	4	YBHH10036	BOLT, 5/16 X 1-1/2 G8
34	1	YBHH12100	BOLT, 3/8 X 2-1/4 G5
35	1	YBHH16175	BOLT, 1/2 X 6-1/2 G5
36	8	YBHH20036	BOLT, 5/8 X 2-1/2 G8
37	1	YBHH20025	BOLT, 5/8 X 2 G5
38	1	YBHH20100	BOLT, 5/8 X 6 G5
39	2	YBTE12025	BOLT EYE, 3/8 X 3
40	5	YWFL12005	WASHER FLAT, 3/8
41	1	YWFL16005	WASHER FLAT, 1/2
42	A/R	YWFL20005	WASHER FLAT, 5/8
43	1	YWLO12005	WASHER LOCK, 3/8
44	9	YWLO20005	WASHER LOCK, 5/8
45	3	YNHX12005	NUT HEX, 3/8
46	2	YNNY12005	NUT HEX, 3/8
47	2	YNTL10005	NUT HEX, 5/16
48	1	YNTL12005	NUT HEX, 3/8
49	1	YNTJ16005	NUT HEX, 1/2

***MEANS NOT SHOWN**

A/R MEANS AS REQUIRED

FIGURE 3 **EXPELLER/DISCHARGE GATE/BEARINGS**

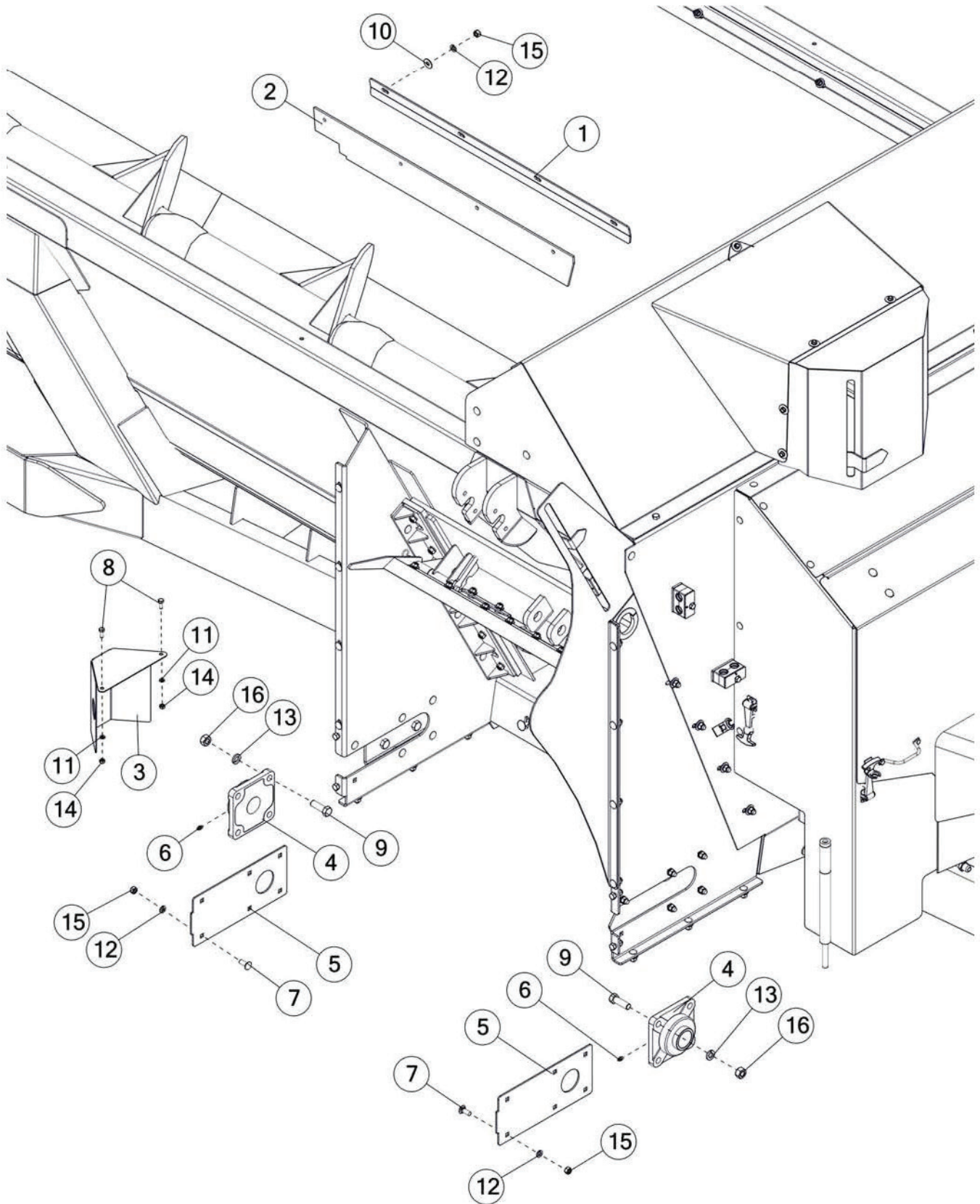


FIGURE 3
EXPELLER/DISCHARGE GATE/BEARINGS

<u>ITEM</u>	<u>QTY</u>	<u>PART#</u>	<u>DESCRIPTION</u>
1	1	57507	DOOR SEAL CLAMP
2	1	57506	EXPELLER DOOR TOP SEAL
3	1	TS45	EXPELLER BEARING SHIELD
4	2	HGV41	EXPELLER BEARING
5	2	TS47	COVER PLATE
6	2	G89	ZERK
7	12	YBCR12010	BOLT CARR, 3/8 X 1 G5
8	2	YBHH08100	BOLT, 1/4 X 3/4 G5
9	8	YBHH18010	BOLT, 9/16 X 1-3/4 G5
10	4	YWFL12005	WASHER FLAT, 3/8
11	2	YWLO08005	WASHER LOCK, 1/4
12	16	YWLO12005	WASHER LOCK, 3/8
13	8	YWLO18005	WASHER LOCK, 9/16
14	2	YNHX08005	NUT HEX, 1/4
15	16	YNHX12005	NUT HEX, 3/8
16	8	YNHX18005	NUT HEX, 9/16

FIGURE 4 EXPELLER/DISCHARGE GATE/DOOR

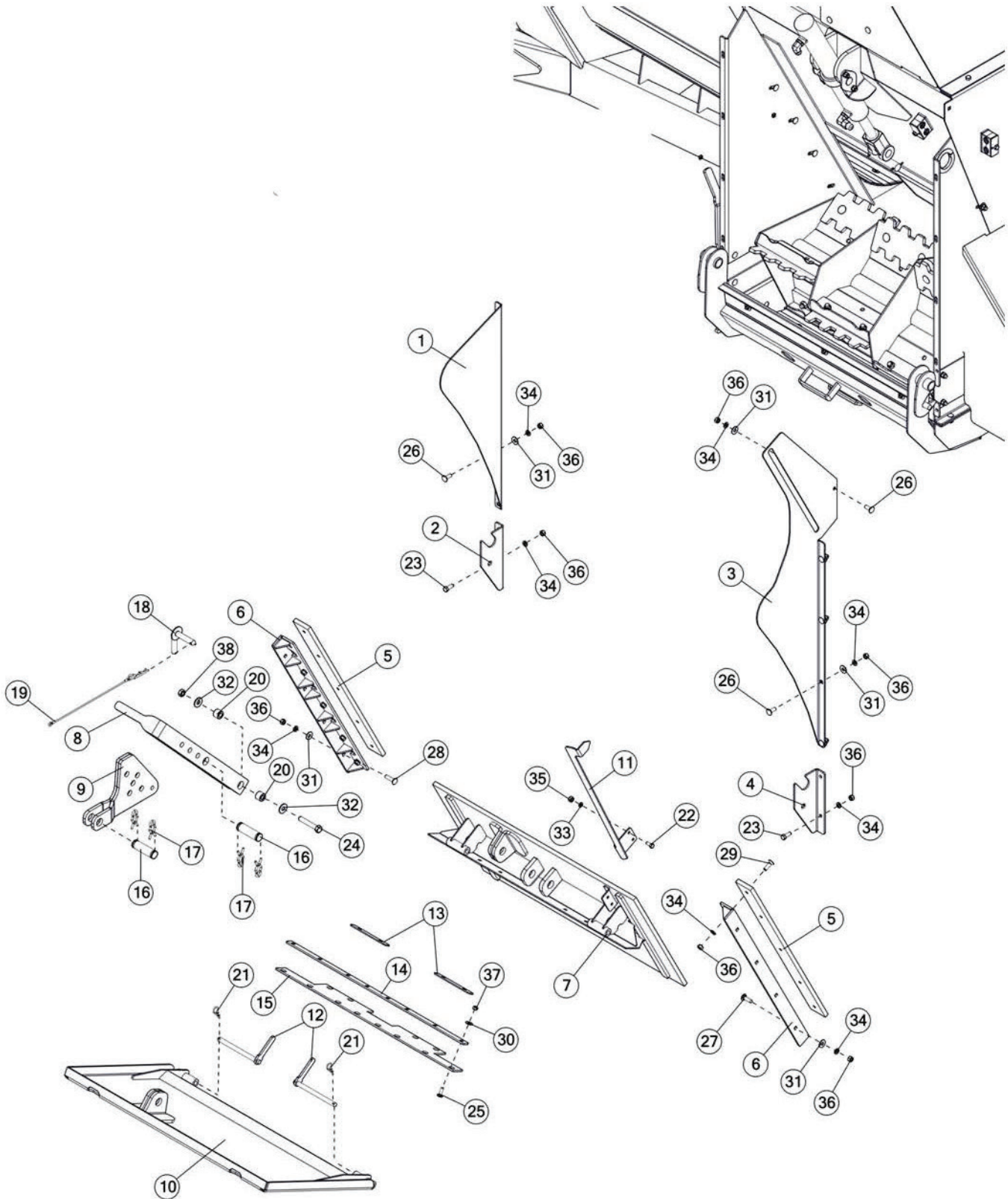


FIGURE 4

EXPPELLER/DISCHARGE GATE/DOOR

<u>ITEM</u>	<u>QTY</u>	<u>PART#</u>	<u>DESCRIPTION</u>
1	1	TS48	EXPPELLER PANEL LH
2	1	TS49	PAN HINGE BRACKET LH
3	1	57257	EXPPELLER SPOUT RH
4	1	TS51	PAN HINGE BRACKET RH
5	2	TS52	DOOR SLIDER POLY
6	2	TS53	EXPPELLER DOOR GUIDE
7	1	57206	EXPPELLER DOOR
8	1	TS55	HANDLE
9	1	TS56	LINK
10	1	57211	DEFLECTOR
11	1	TS58	DOOR INDICATOR
12	2	TS59	DEFLECTOR SIDE PIN
13	2	TS65	STRAP
14	1	57874	STRAP
15	1	57870	SEAL
16	2	T143	CYLINDER PIN
17	4	T144	CLIP PIN
18	1	TS69	HANDLE PIN
19	1	57616	LANYARD HAIR PIN
20	2	TS307	HANDLE PIVOT
21	2	YPHR02005	HAIR PIN
22	2	YBHH10105	BOLT, 5/16 X 3/4 G5
23	4	YBHH12010	BOLT, 3/8 X 1 G5
24	1	YBHH16105	BOLT, 1/2 X 3 G5
25	12	YBCR10010	BOLT CARR, 5/16 X 1 G5
26	9	YBCR12010	BOLT CARR, 3/8 X 1 G5
27	7	YBCR12020	BOLT CARR, 3/8 X 1-1/4 G5
28	1	YBCR12015	BOLT CARR, 3/8 X 1-1/2 G5
29	10	YSFS12005	SCREW SOCKET HEAD, 3/8 X 1-1/4
30	12	YWFL10005	WASHER FLAT, 5/16
31	17	YWFL12005	WASHER FLAT, 3/8
32	2	YWFL16005	WASHER FLAT, 1/2
33	2	YWLO10005	WASHER LOCK, 5/16
34	31	YWLO12005	WASHER LOCK, 3/8
35	2	YNHX10005	NUT HEX, 5/16
36	31	YNHX12005	NUT HEX, 3/8
37	12	YNTL10005	NUT HEX, 5/16
38	1	YNTL16005	NUT HEX, 1/2

FIGURE 5 EXPELLER/DISCHARGE GATE/PAN

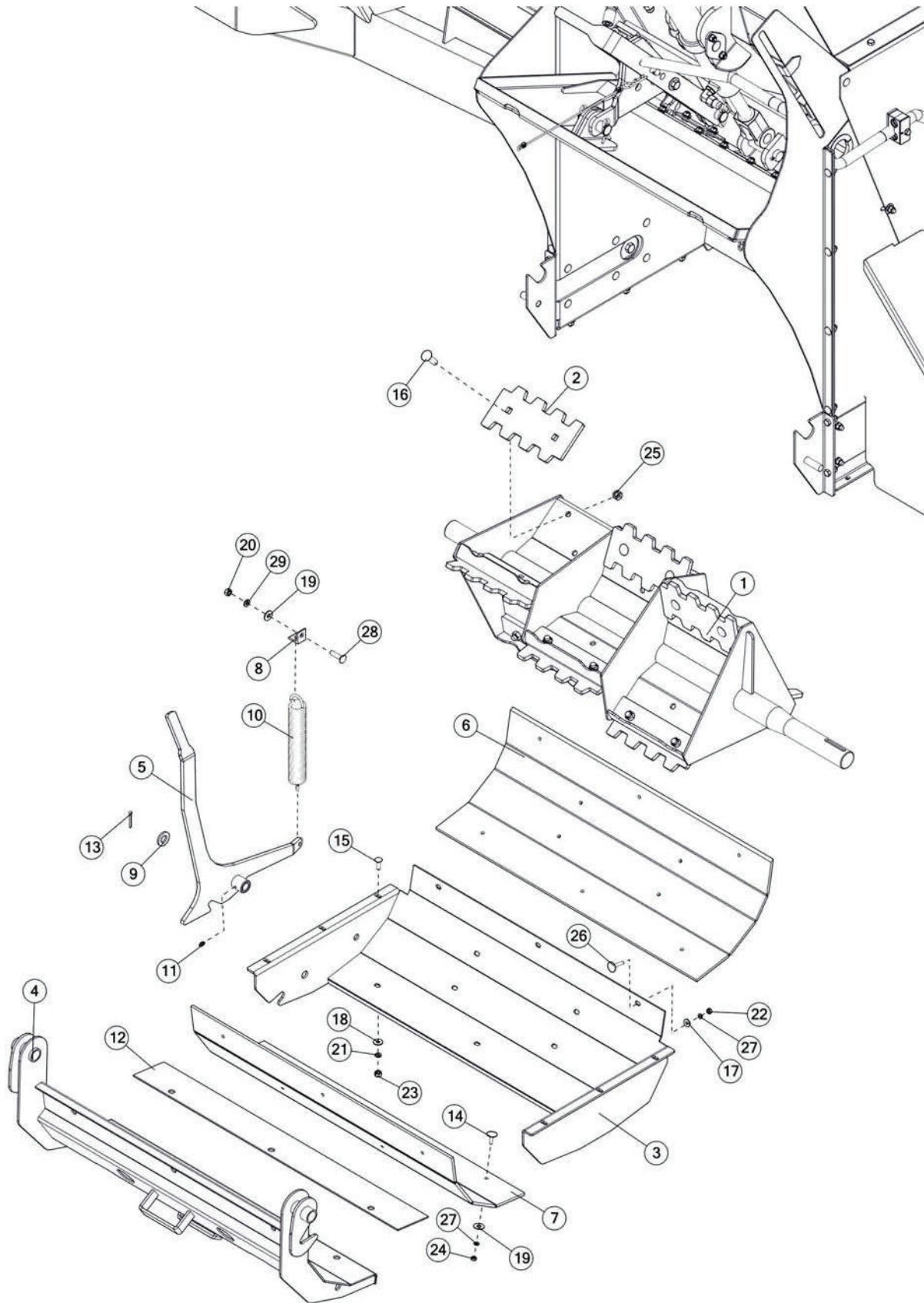


FIGURE 5

EXPELLER/DISCHARGE GATE/PAN

<u>ITEM</u>	<u>QTY</u>	<u>PART#</u>	<u>DESCRIPTION</u>
1	1	69615	EXPELLER
2	9	TS68	EXPELLER PADDLE
3	1	57031	SWING AWAY PAN FRAME
4	1	57028	SWING AWAY PAN
5	1	TS74	PAN LATCH HANDLE
6	1	57038	EXPELLER BACK POLY
7	1	57030	EXPELLER PAN POLY
8	1	F92	SHIELD ANGLE
9	A/R	T73	SPACER
10	1	K103	SPRING
11	1	G89	ZERK
12	1	57876	RUBBER SEAL
13	1	YPCT06010	COTTER PIN, 3/16 X 1-1/4
14	20	YBEV08010	BOLT, 1/4 X 1
15	6	YBCR10010	BOLT CARR, 5/16 X 1 G5
16	18	YBCR16019	BOLT, 1/2 X 1-3/4 G8
17	21	YWFL08005	WASHER FLAT, 1/4
18	6	YWFL10005	WASHER FLAT, 5/16
19	11	YWFL12005	WASHER FLAT, 3/8
20	1	YNHX12005	WASHER LOCK, 1/4
21	6	YWLO10005	WASHER LOCK, 5/16
22	10	YNHX08005	NUT HEX, 1/4
23	6	YNHX10005	NUT HEX, 5/16
24	10	YNRL08005	NUT HEX, 1/4
25	18	YNL16006	NUT HEX, 1/2
26	10	YBEV08015	BOLT, 1/4 X 1-1/2
27	21	YWLO08005	WASHER, 1/4
28	1	YBCR12015	BOLT CARR, 3/8 X 1-1/2 G5
29	1	YWLO12005	WASHER LOCK, 3/8

A/R MEANS AS REQUIRED

FIGURE 6
INPUT SHAFT/EXPELLER DRIVE

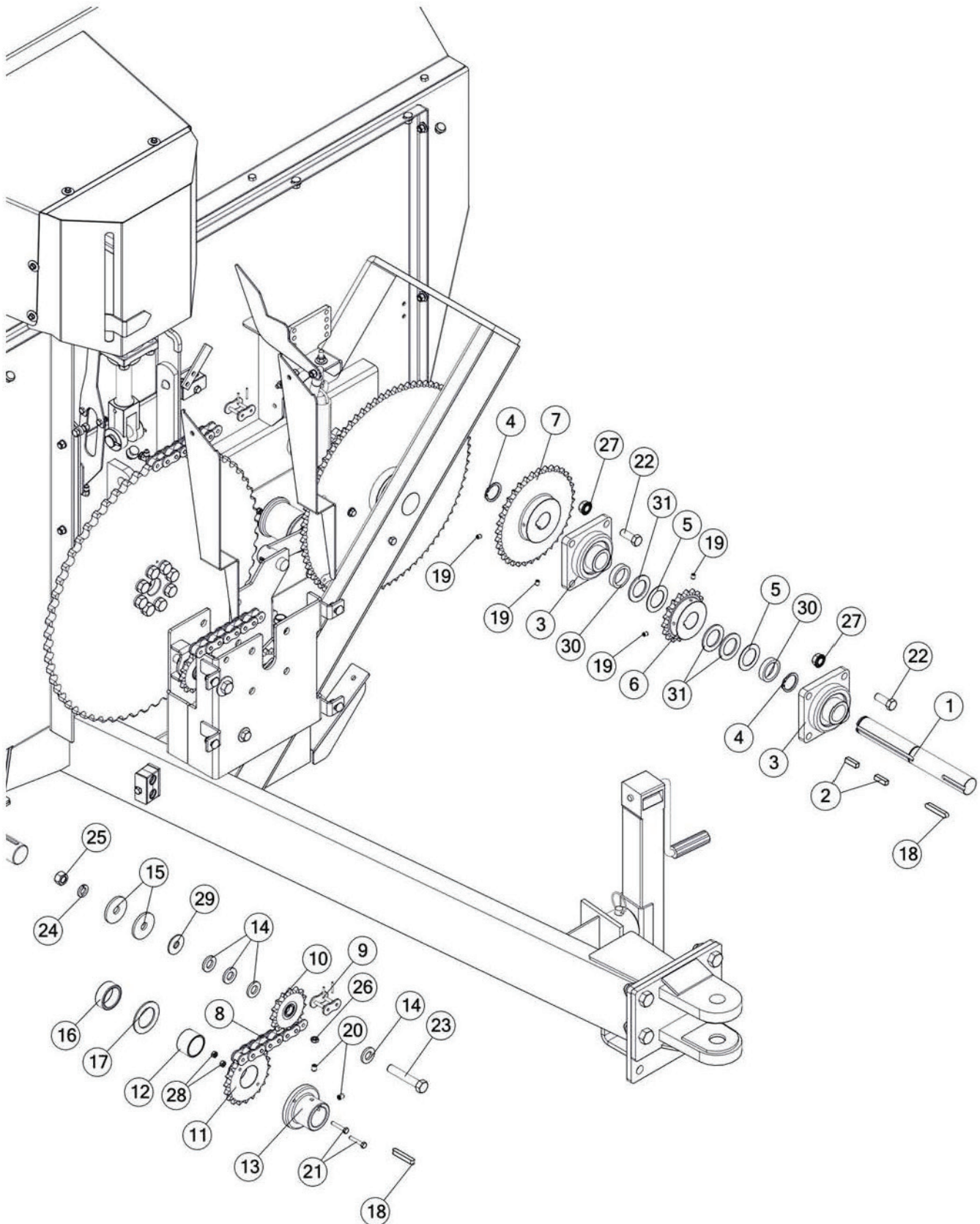


FIGURE 6

INPUT SHAFT/EXPELLER DRIVE

<u>ITEM</u>	<u>QTY</u>	<u>PART#</u>	<u>DESCRIPTION</u>
1	1	57392	INPUT SHAFT
2	2	68856	SQUARE KEY, 3/8 X 1-1/4
3	2	12V99	BEARING
4	2	12V62	SNAP RING
5	A/R	16SV374	SPACER
6	1	TS35	SPROCKET/60B18 (STANDARD-540 RPM, FACTORY)
*	1	TS36	SPROCKET/ASSY 13T (OPTIONAL-540 RPM, FIELD)
*	1	TS37	SPROCKET/60B15T (OPTIONAL-540 RPM)(STANDARD-1000 RPM)
*	1	TS38	SPROCKET/60B20 (OPTIONAL - 540 RPM)
*	1	TS364	SPROCKET/60B16 (OPTIONAL - 1000 RPM)
7	1	TS79	SPROCKET/60B36 (STANDARD - 540 RPM)
*	1	TS80	SPROCKET/EXP DRIVE ASSY 30T (OPTIONAL - 540 RPM)
*	1	TS81	SPROCKET/60X27T (OPTIONAL - 540 RPM)
*	1	TS38	SPROCKET/60B20 (OPTIONAL - 1000 RPM)
*	1	TS318	SPROCKET/ASSY 16T (OPTIONAL - 1000 RPM)
*	1	TS37	SPROCKET/ASSY 15T (OPTIONAL - 1000 RPM)
*	1	TS36	SPROCKET/ASSY 13T (OPTIONAL - 540 & 1000 RPM)
8	1	57555	ROLLER CHAIN #60HE X 100P (540 RPM - 36T SPROCKET)
*	1	57895	ROLLER CHAIN #60HE X 97P (540 RPM - 30T SPROCKET)
*	1	57896	ROLLER CHAIN #60HE X 96P (540 RPM - 27T SPROCKET)
*	1	57897	ROLLER CHAIN #60HE X 92P (1000 RPM - 20T SPROCKET)
*	1	57898	ROLLER CHAIN #60HE X 90P (1000 RPM - 16T SPROCKET)
*	1	57899	ROLLER CHAIN #60HE X 89P (1000 RPM - 15T SPROCKET)
*	1	57900	ROLLER CHAIN #60HE X 88P (1000 RPM - 13T SPROCKET)
9	1	57887	CONNECTOR LINK #60HE
10	1	TS29	IDLER
11	1	TS84	SPROCKET ASSY, 20T
12	1	TS85	BUSHING
13	1	TS86	SHEAR HUB
14	A/R	T73	SPACER
15	2	F129	TIGHTENER WASHER
16	1	TS329	EXPELLER DRIVE SPACER
17	A/R	S409	SHIM
18	2	S138	SQUARE KEY 3/8 X 2-3/8
19	4	YSKP10010	SCREW SOCKET KNURLED, 5/16 X 3/8
20	2	YSKP12010	SCREW SOCKET KNURLED, 3/8 X 1/2
21	2	YBHH08027	BOLT, 1/4 X 1-1/2 G8
22	8	YBHH18005	BOLT, 9/16 X 1-1/2 G5
23	1	YBHH20055	BOLT, 5/8 X 3-1/2 G5
24	1	YWLO20005	WASHER LOCK, 5/8
25	1	YNHX20005	NUT HEX, 5/8
26	1	YNJM12005	NUT HEX, JAM, 3/8
27	8	YNSF18005	NUT FLANGE, 9/16
28	2	YNTL08005	HEX NUT, 1/4
29	1	YWFL20005	WASHER FLAT, 5/8
30	2	33SV29	SPACER
31	A/R	16SV375	SPACER

***MEANS NOT SHOWN**

A/R MEANS AS REQUIRED

FIGURE 7 GUARDS/SHIELDS

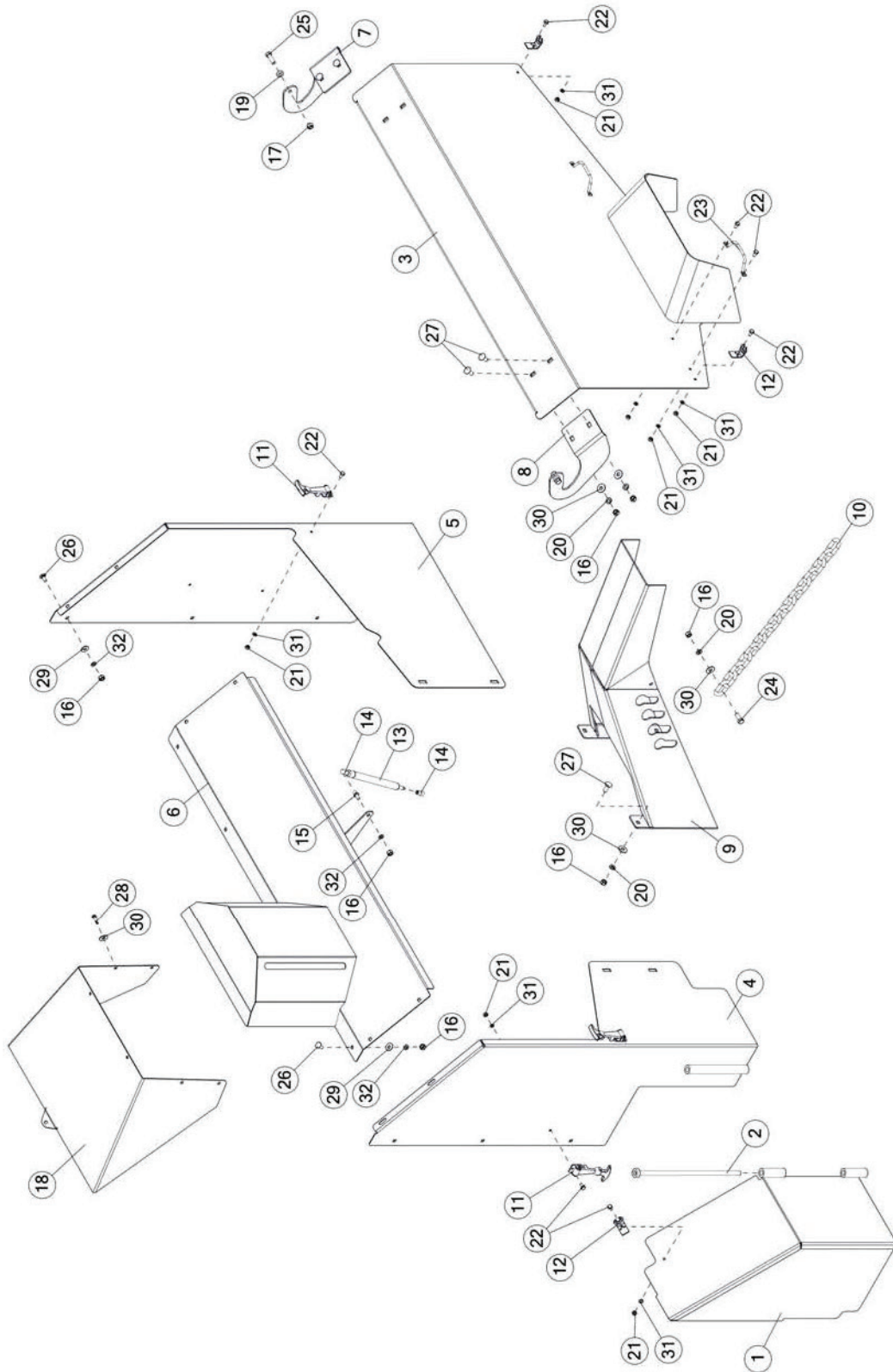


FIGURE 7 GUARDS/SHIELDS

<u>ITEM</u>	<u>QTY</u>	<u>PART#</u>	<u>DESCRIPTION</u>
1	1	TS87	DRIVE SHIELD
2	1	TS88	SHIELD HINGE
3	1	TS89	FRONT SHIELD DOOR
4	1	TS90	FRONT SHIELD RH
5	1	TS91	FRONT SHIELD LH
6	1	TS92	FRONT SHIELD TOP
7	1	TS93	FRONT SHIELD HINGE RH
8	1	TS94	FRONT SHIELD HINGE LH
9	1	TS95	HOSE HOLDER
10	1	TS130	CHAIN PTO HOLDER
11	3	X233	COMPLETE LATCH
12	3	X193	LATCH CATCH
13	1	TS97	GAS SPRING
14	2	TS381	STEEL BALL SOCKET
15	1	TS382	BALL MOUNT
16	13	YNHX12005	NUT HEX, 3/8
17	2	YNTL12005	NUT HEX, 3/8
18	1	57325	FILLER SHIELD
19	2	TS331	SHIELD HINGE SPACER
20	7	YWLO12005	WASHER LOCK, 3/8
21	9	YNHX08005	NUT HEX, 1/4
22	9	YBHH08015	BOLT, 1/4 X 1/2 G5
23	2	TS96	HANDLE
24	1	YBHH12010	BOLT, 3/8 X 1 G5
25	2	YBHH12035	BOLT, 3/8 X 1-1/4 G5
26	9	YBCR10030	BOLT CARR, 5/16 X 3/4 G5
27	6	YBCR12010	BOLT CARR, 3/8 X 1 G5
28	7	YSDR08005	SCREW SELF DRILLING , 1/4 X 1
29	9	YWFL10005	WASHER FLAT, 5/16
30	14	YWFL12005	WASHER FLAT, 3/8
31	9	YWLO08005	WASHER LOCK, 1/4
32	10	YWLO10005	WASHER LOCK, 5/16

FIGURE 8 **FRONT SPLASH GUARD**

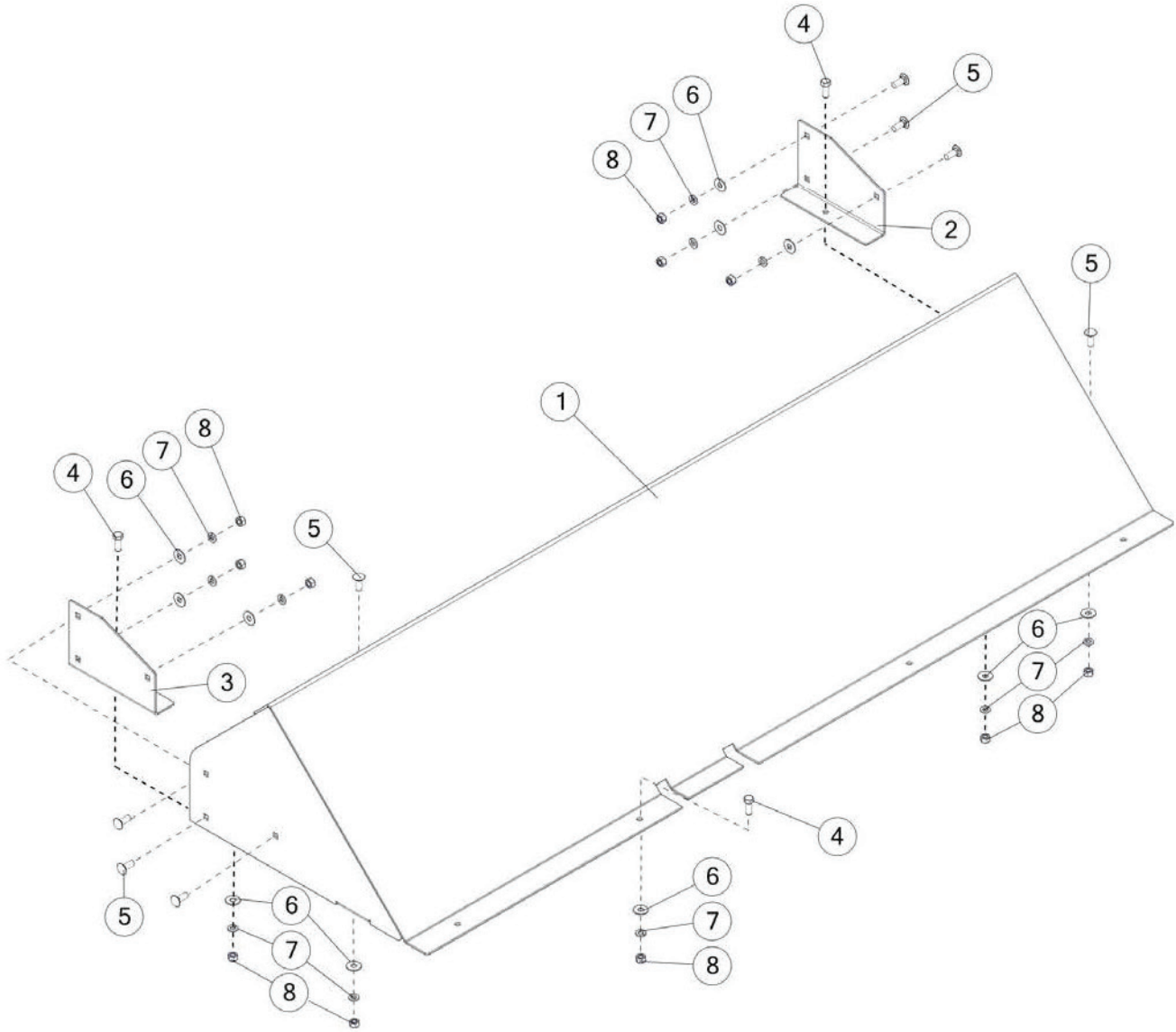


FIGURE 8
FRONT SPLASH GUARD

<u>ITEM</u>	<u>QTY</u>	<u>PART#</u>	<u>DESCRIPTION</u>
1	1	57257	FRONT SPLASH
2	1	57879	SPLASH MOUNT LH
3	1	57880	SPLASH MOUNT RH
4	6	YBHH12010	BOLT, 3/8 X 1 G5
5	8	YBCR12010	BOLT CARR, 3/8 X 1 G5
6	14	YWFL12005	WASHER FLAT, 3/8
7	14	YWLO12005	WASHER LOCK, 3/8
8	14	YNHX12005	NUT HEX, 3/8

FIGURE 9
REAR SPLASH GUARD/RAILS - OPTIONAL

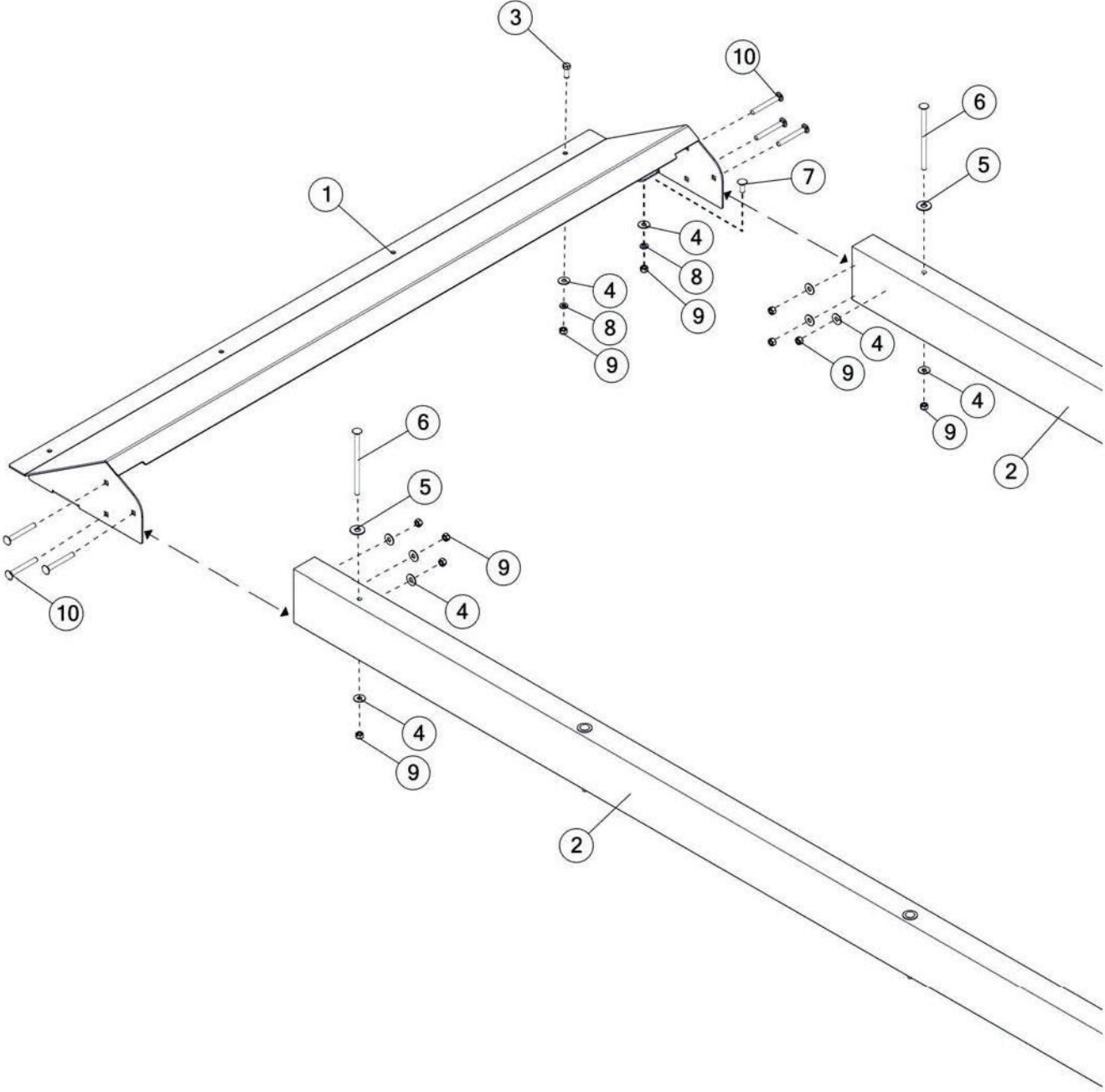


FIGURE 9
REAR SPLASH GUARD/RAILS - OPTIONAL

<u>ITEM</u>	<u>QTY</u>	<u>PART#</u>	<u>DESCRIPTION</u>
1	1	57256	BACK SPLASH GUARD
2	2	57908	WOOD RAIL
3	4	YBHH12010	BOLT, 3/8 X 1 G5
4	22	YWFL12005	WASHER FLAT, 3/8
5	10	YWFL16005	WASHER FLAT, 1/2
6	10	YBCR12123	BOLT CARR, 3/8 X 6-1/2 G5
7	2	YBCR12010	BOLT CARR, 3/8 X 1 G5
8	6	YWLO12005	WASHER LOCK, 3/8
9	22	YNHX12005	NUT HEX, 3/8
10	6	YBCR12080	BOLT CARR, 3/8 X 3-1/4 G5

FIGURE 10
REAR SPLASH GUARD - OPTIONAL

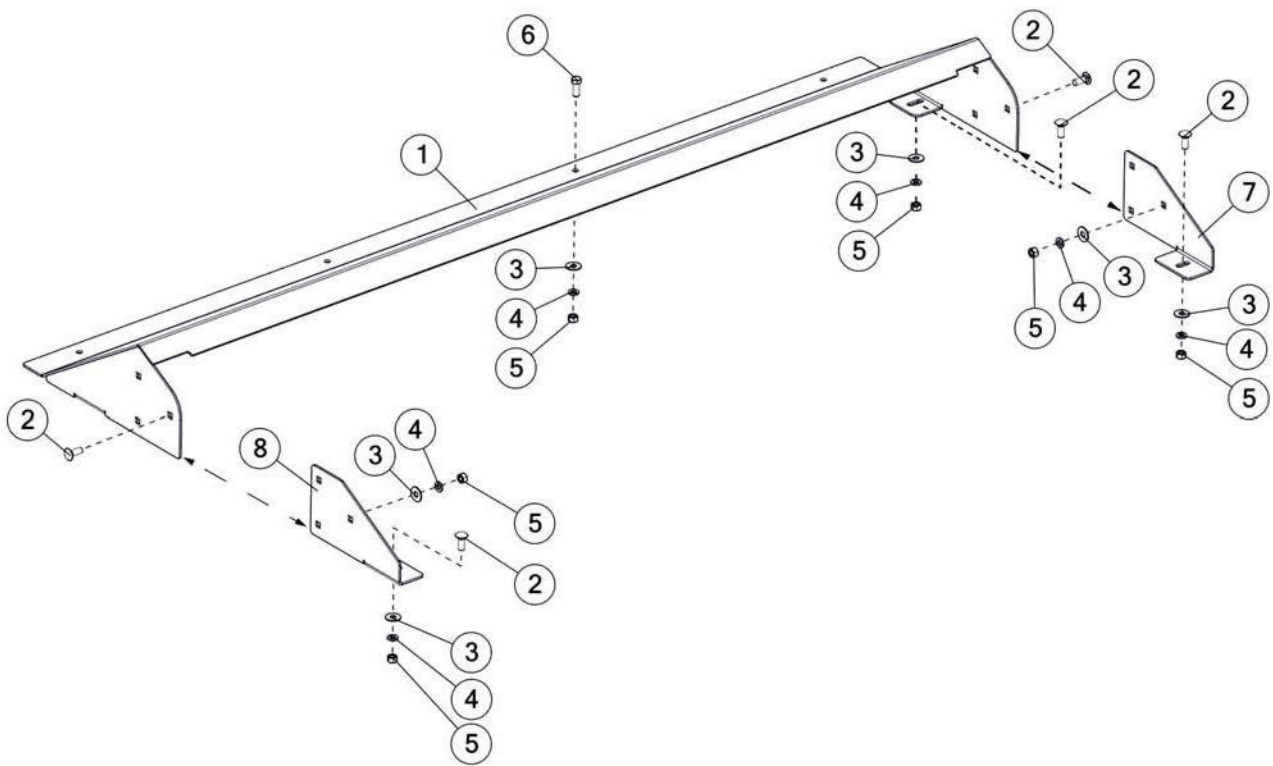


FIGURE 10
REAR SPLASH GUARD - OPTIONAL

<u>ITEM</u>	<u>QTY</u>	<u>PART#</u>	<u>DESCRIPTION</u>
1	1	57256	BACK SPLASH GUARD
2	10	YBCR12010	BOLT CARR, 3/8 X 1 G5
3	14	YWFL12005	WASHER FLAT, 3/8
4	14	YWLO12005	WASHER, LOCK 3/8
5	14	YNHX12005	NUT HEX, 3/8-16
6	4	YBHH12010	BOLT, 3/8 X 1 G5
7	1	58393	REAR SPLASH GUARD LH
8	1	58395	REAR SPLASH GUARD RH

FIGURE 11 HYDRAULICS

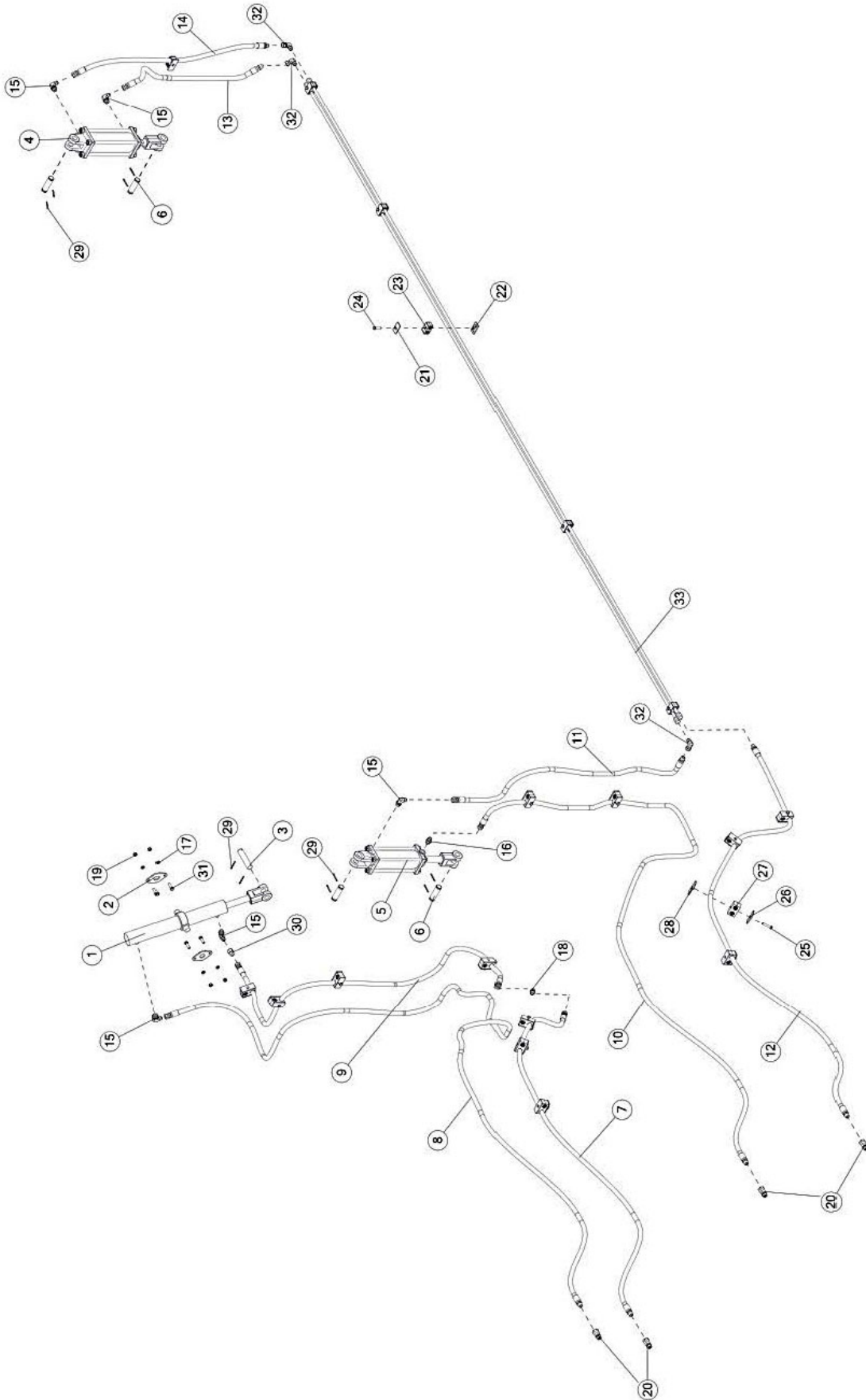


FIGURE 11 HYDRAULICS

<u>ITEM</u>	<u>QTY</u>	<u>PART#</u>	<u>DESCRIPTION</u>
1	1	57582	DOOR CYLINDER ASSY
2	2	TS103	MOUNT CLIP
3	1	LW55	TAIL CYLINDER PIN
4	1	TS105	CYLINDER
5	1	TS104	CYLINDER
6	4	T143	CYLINDER PIN
7	1	TS110	HYD HOSE, 8 X 99
8	1	TS106	HYD HOSE, 8 X 194
9	1	TS108	HYD HOSE, 8 X 91
10	1	TS111	HYD HOSE, 8 X 162
11	1	TS112	HYD HOSE, 8 X 56
12	1	TS113	HYD HOSE, 8 X 120
13	1	TS114	HYD HOSE, 8 X 38
14	1	TS115	HYD HOSE, 8 X 49
15	5	TS135	FITTING8-C5OX-S
16	1	TS137	FITTING8F5OX-S
17	4	YWLO12005	WASHER LOCK, 3/8
18	1	GM17	FITTING ADAPTER
19	4	YNHX12005	NUT HEX, 3/8
20	4	DWM205	MALE QUICK COUPLER
21	5	56563	CLAMP TOP PLATE
22	5	1021	LINE DOUBLE CLAMP BASE
23	5	TS118	LINE CLAMP BLOCK
24	5	56568	CLAMP BOLT
25	14	56569	CLAMP BOLT
26	14	56564	CLAMP TOP PLATE
27	14	56596	CLAMP CUSHION
28	14	GM71	HOSE DOUBLE CLAMP BASE
29	10	YPCT05010	COTTER PIN 5/32 X 1-1/2
30	1	TS197	ORIFICE
31	4	YBHH12035	BOLT, 3/8 X 1-1/4 G5
32	3	TFM83	90 DEGREE ELBOW
33	2	57536	HYDRAULIC LINE

FIGURE 12
SINGLE AXLE

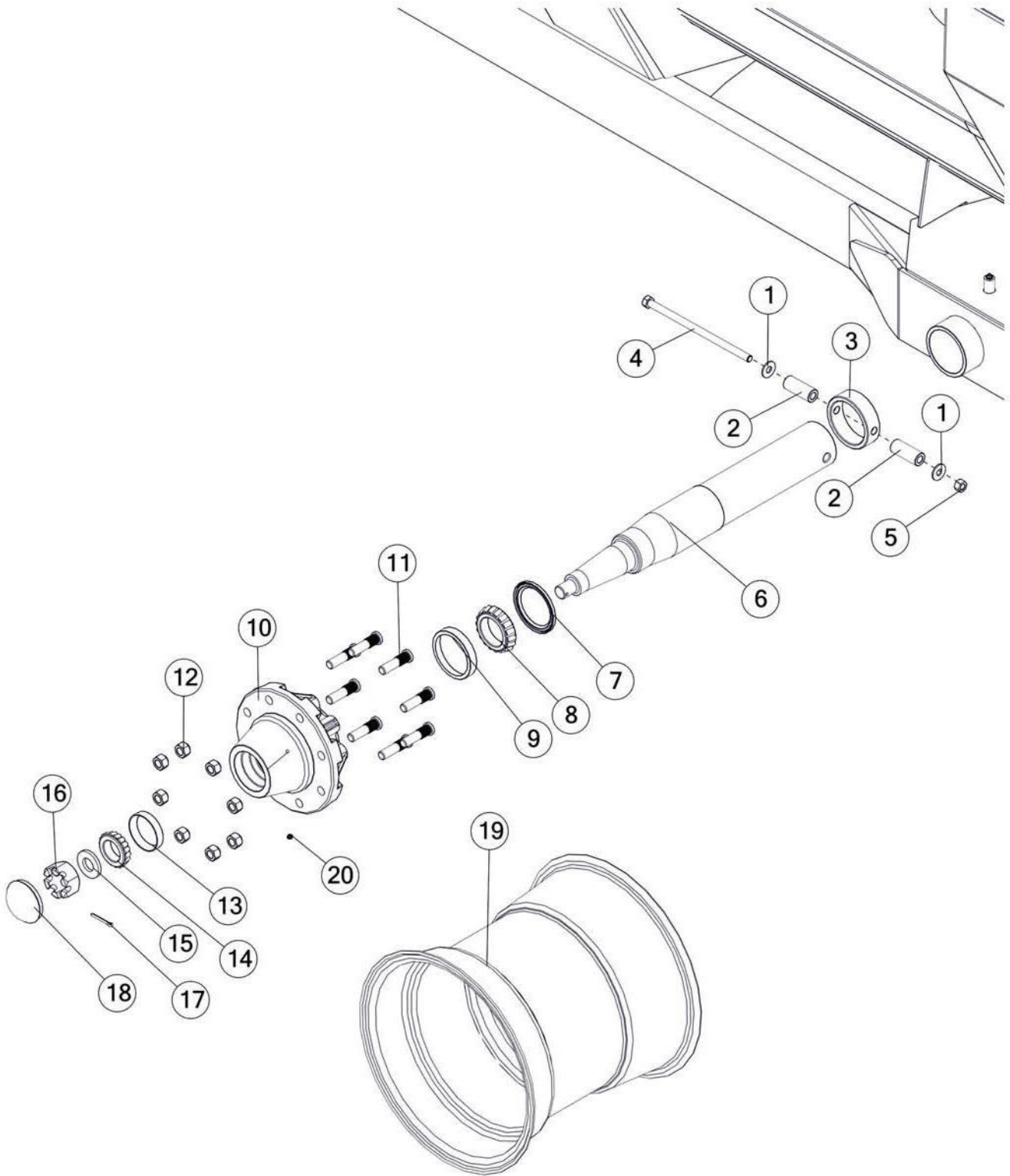


FIGURE 12 SINGLE AXLE

<u>ITEM</u>	<u>QTY</u>	<u>PART#</u>	<u>DESCRIPTION</u>
1	4	YWFL16005	WASHER FLAT, 1/2
2	4	57559	SPACER
3	2	57299	SPINDLE COLLAR
4	2	YBHH16200	BOLT, 1/2 X 10 G5
5	2	YNRL16005	NUT HEX, 1/2
6	2	57373	SPINDLE
7	2	33SV42	GREASE SEAL
8	2	33SV43	TAPERED BEARING
9	2	33SV44	INNER RACE
10	2	54475	HUB
11	16	YBSD20010	STUD BOLT, 5/8 X 2-1/2
12	16	YNWL20005	WHEEL NUT, 5/8
13	2	RG169	RACE
14	2	17G150	TAPERED BEARING
15	2	33SV95	SPINDLE WASHER
16	2	YNSL32005	HEX NUT, SLOTTED, 1
17	2	YPCT06005	COTTER PIN, 3/16 X 1-1/2
18	2	RG171	HUB CAP
19	2	33SV105	WHEEL 16 X 16.1
20	2	G89	ZERK, 1/4-28

FIGURE 13
TANDEM AXLES (OPTIONAL)

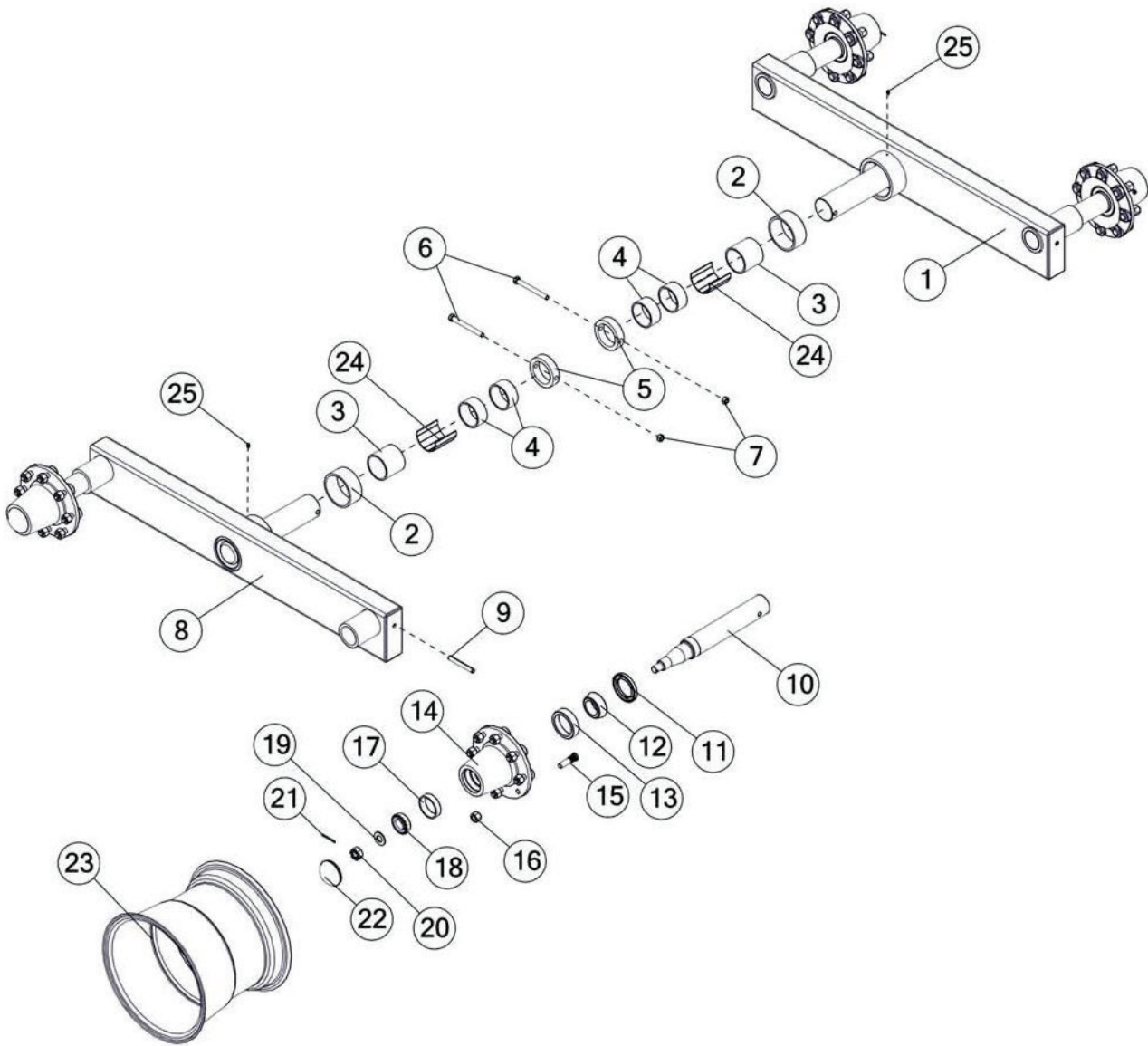


FIGURE 13

TANDEM AXLES (OPTIONAL)

<u>ITEM</u>	<u>QTY</u>	<u>PART#</u>	<u>DESCRIPTION</u>
1	1	TS314	TANDEM MID LH
*	1	TS132	TANDEM BEAM LH
*	1	TS131	LEFT TANDEM DROP
2	2	70162	NYLATRON BUSHING
3	2	70150	NYLATRON BUSHING
4	4	70169	NYLATRON BUSHING
5	2	16SV78	COLLAR
6	2	YBHH16160	BOLT HEX, 1/2 X 5-1/2 G5
7	2	YNL16005	NUT HEX, 1/2
8	1	TS315	RIGHT TANDEM MID
*	1	TS134	TANDEM BEAM RH
*	1	TS133	RIGHT TANDEM DROP
9	4	YPEX16020	EXPANSION PIN
10	4	16SV203	SPINDLE
11	4	B90	SEAL
12	4	53461	INNER BEARING
13	4	53454	INNER RACE
14	4	53403	HUB SUBASSEMBLY
15	32	YBSD20010	BOLT STUD, 5/8 X 2-1/2
16	32	YNWL20005	WHEEL NUT, 5/8
17	4	B94A	OUTER RACE
18	4	53462	OUTER BEARING
19	4	YWFL28010	WASHER FLAT, 7/8 SAE
20	4	YNSL28005	NUT HEX SLOTTED, 7/8
21	4	YPCT05020	COTTER PIN, 5/32 X 1-3/4
22	4	B2	HUB CAP
23	4	23N179	WHEEL 8.25 X 22.5
*	4	12V36	WHEEL 14 X 16.1
*	4	16SV89	WHEEL 13.5 X 22.5
24	2	57806	TANDEM BUSHING SPACER
25	2	G89	ZERK, 1/4-28

***MEANS NOT SHOWN**

A/R MEANS AS REQUIRED

FIGURE 14

OILER KIT (OPTIONAL)

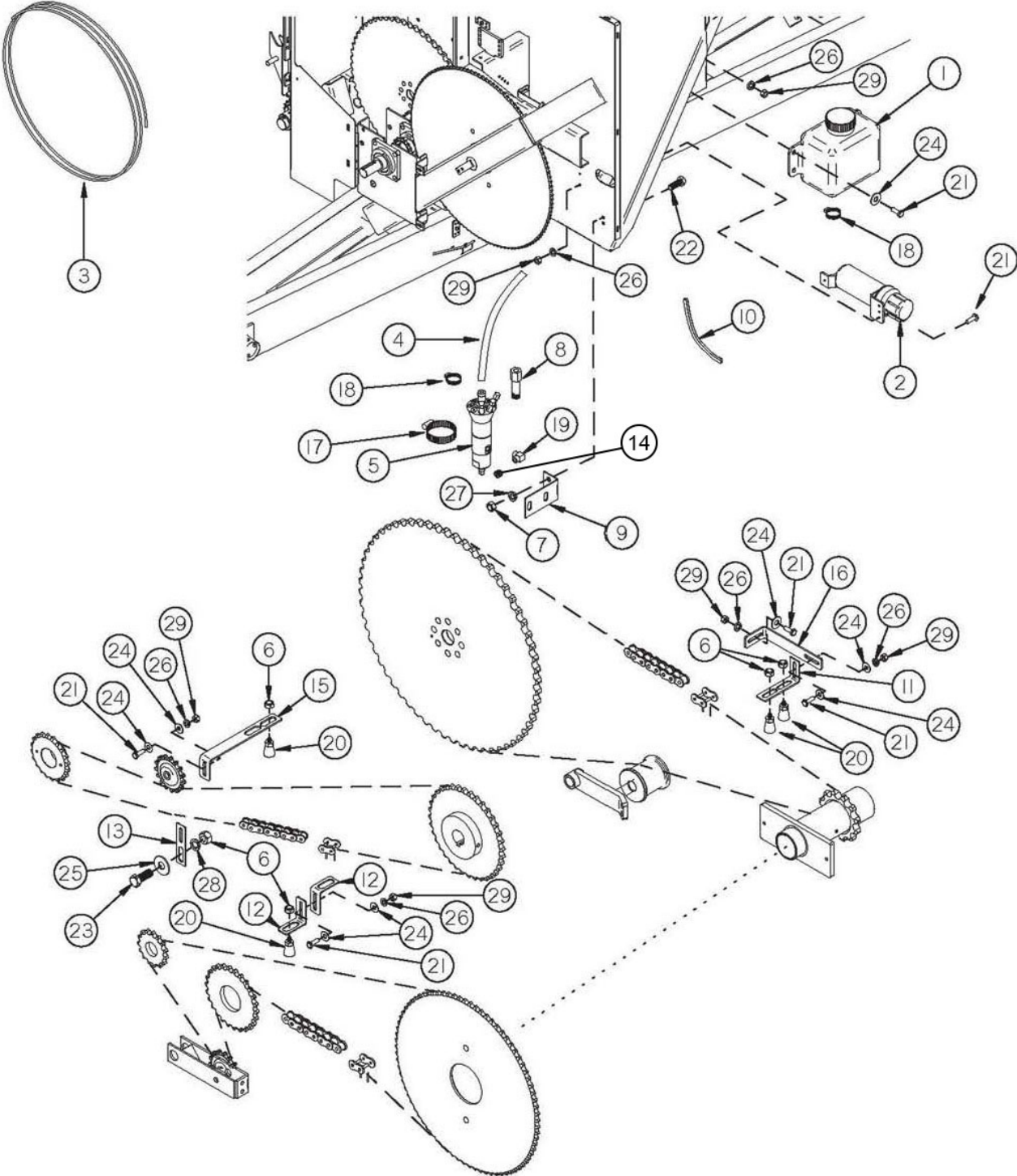


FIGURE 14 OILER KIT (OPTIONAL)

<u>ITEM</u>	<u>QTY</u>	<u>PART#</u>	<u>DESCRIPTION</u>
1	1	HGV63	RESERVOIR
2	1	S522	MANUAL HOLDER
3	1	HGV71	OIL TUBE
4	1	HGV66	FILLER HOSE
5	1	HGV82	PUMP
6	5	YNHX16005	NUT HEX, 1/2
7	2	YNHX12005	NUT HEX, 3/8
8	4	HGV84	MANIFOLD ASSY
9	1	HGV68	BRACKET
10	1	HGV77	EDGING
11	2	HGV69	BRUSH BRACKET LONG
12	2	TS98	OILER BRUSH BRACKET SINGLE
13	1	HGV70	BRACKET MOUNT
14	1	TS198	ORIFICE
15	1	TS322	BRACKET
16	1	TS196	OILER HANGER
*	1	HGV62	COMPLETE OILER KIT
17	1	HGV74	HOSE CLAMP
18	2	HGV75	HOSE CLAMP
19	1	HGV65	O-RING/JIC ELBOW
20	4	HGV67	BRUSH
21	11	YBHH08100	BOLT, 1/4 X 3/4 G5
22	2	YBHH12135	BOLT, 3/8 X 3/4 G5
23	1	YBHH16045	BOLT, 1/2 X 1-1/4 G5
24	11	YWFL08005	WASHER FLAT, 1/4
25	1	YWFL16005	WASHER FLAT, 1/2
26	11	YWLO08005	WASHER LOCK, 1/4
27	2	YWLO12005	WASHER LOCK, 3/8
28	1	YWLO16005	WASHER LOCK, 1/2
29	11	YNHX08005	NUT HEX, 1/4-20

***MEANS NOT SHOWN**

FIGURE 15
DROP AXLE (OPTIONAL)

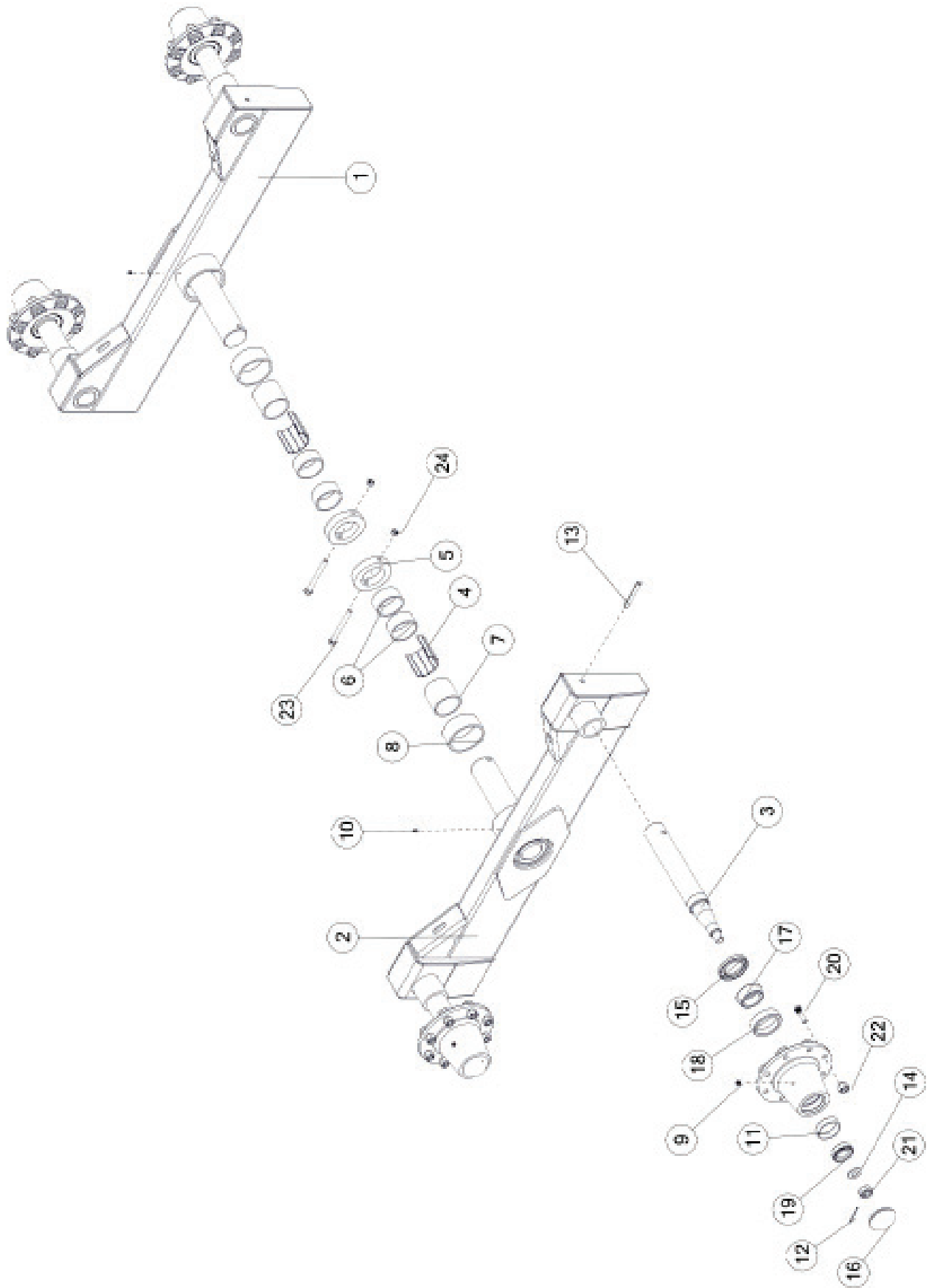


FIGURE 15

DROP AXLE (OPTIONAL)

<u>ITEM</u>	<u>QTY</u>	<u>PART#</u>	<u>DESCRIPTION</u>
1	1	TS131	DROP TANDEM LH
2	2	TS133	DROP TANDEM RH
3	4	16SV203	SPINDLE
4	2	57806	TANDEM BUSHING SPACER
5	2	16SV78	AXLE COLLAR
6	4	70169	BUSHING, NYLATRON, 3.375 OD X 3 ID X 1.5
7	2	70150	BUSHING, NYLATRON, 3.375 OD X 3 ID X 3
8	2	70162	BUSHING, NYLATRON, 4.5 OD X 4.01 ID X 1.88
9	4	BFR28	NPT GREASE ZERK, 1,8
10	2	G89	STRAIGHT ZERK, 1/4-28
11	4	B94A	OUTER RACE (KOYO 2720)
12	4	YPCT05020	COTTER PIN, 5/32 X 1-3/4
13	4	YPEX16020	EXPANSION PIN, 1/2 X 4
14	4	YWFL28010	WASHER, FLAT, SAE 7/8
15	4	B90	GREASE SEAL
16	4	B2	HUB CAP
17	4	53461	INNER BEARING (TIMKEN 3780)
18	4	B91A	INNER RACE (KOYO 3720)
19	4	53462	OUTER BEARING (TIMKEN 2790)
20	32	YBSD20010	STUD BOLT, 5/8-18 UNF X 2-1/2
21	4	YNSL28005	NUT SLOT, 7/8-14, NA G2 NF
22	32	YNWL20005	NUT WHEEL, 5/8-18 NA G5 ZC
23	2	YBHH16155	BOLT HEX, 1/2 X 5 G5
24	2	YNL16005	NUT HEX, 1/2-13 LKTL C ZC

FIGURE 16
FRONT GREASE LINES

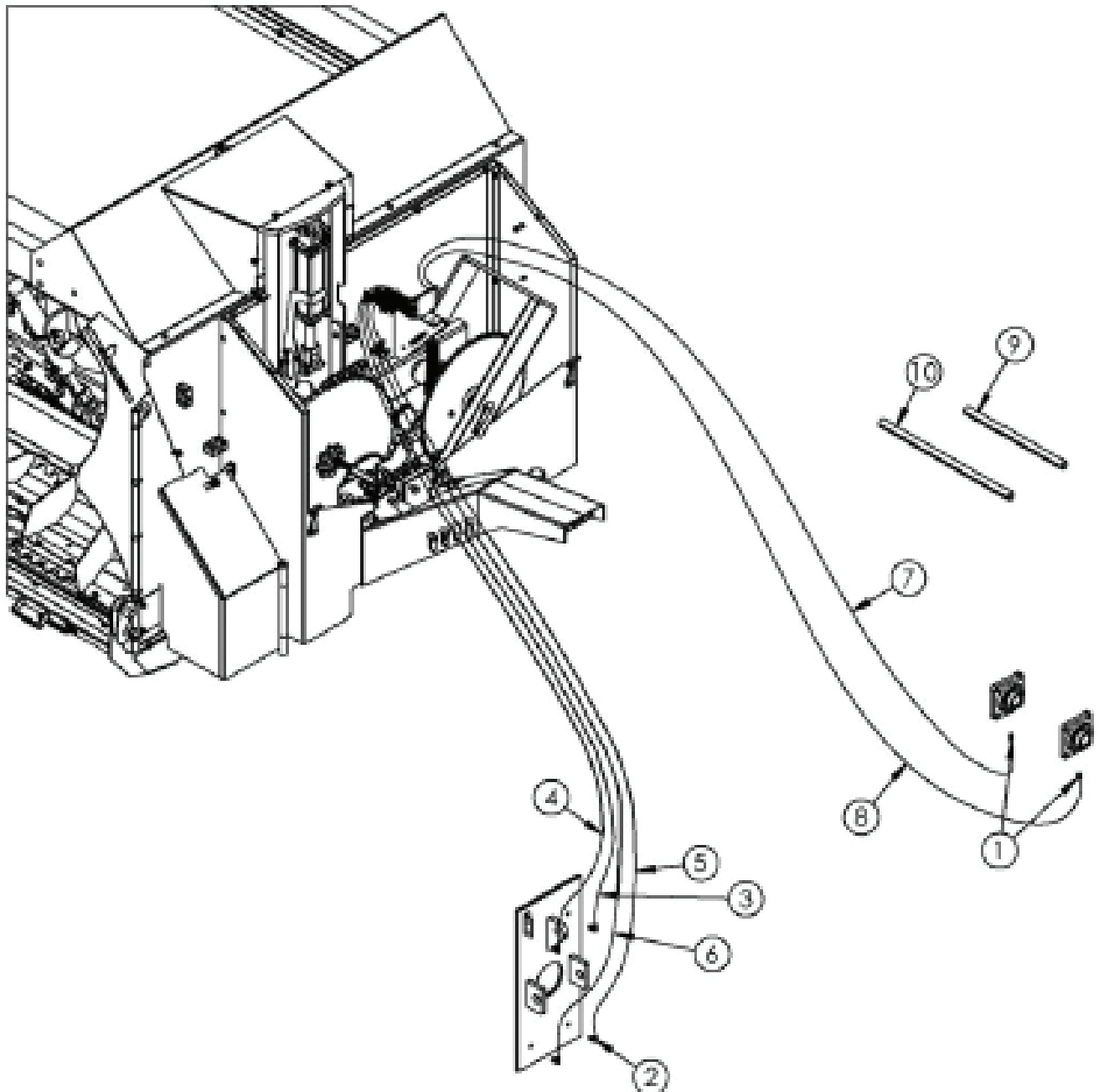


FIGURE 16
FRONT GREASE LINES

<u>ITEM</u>	<u>QTY</u>	<u>PART#</u>	<u>DESCRIPTION</u>
1	2	TS323	PIPE ADAPTER
2	4	GM30	GREASE LINE ADAPTER
3	1	TS119	GREASE LINE - 23
4	1	TS120	GREASE LINE - 29.5
5	1	TS121	GREASE LINE - 38.5
6	1	TS122	GREASE LINE - 45.5
7	1	TS123	GREASE LINE - 60
8	1	TS124	GREASE LINE - 63.75
9	1	TS246	SPLIT LOOM 3/4 X 18
10	1	TS305	SPLIT LOOM 3/4 X 24
*	6	YNML99005	JAM NUT

***MEANS NOT SHOWN**

FIGURE 17
LIGHTS (OPTIONAL)

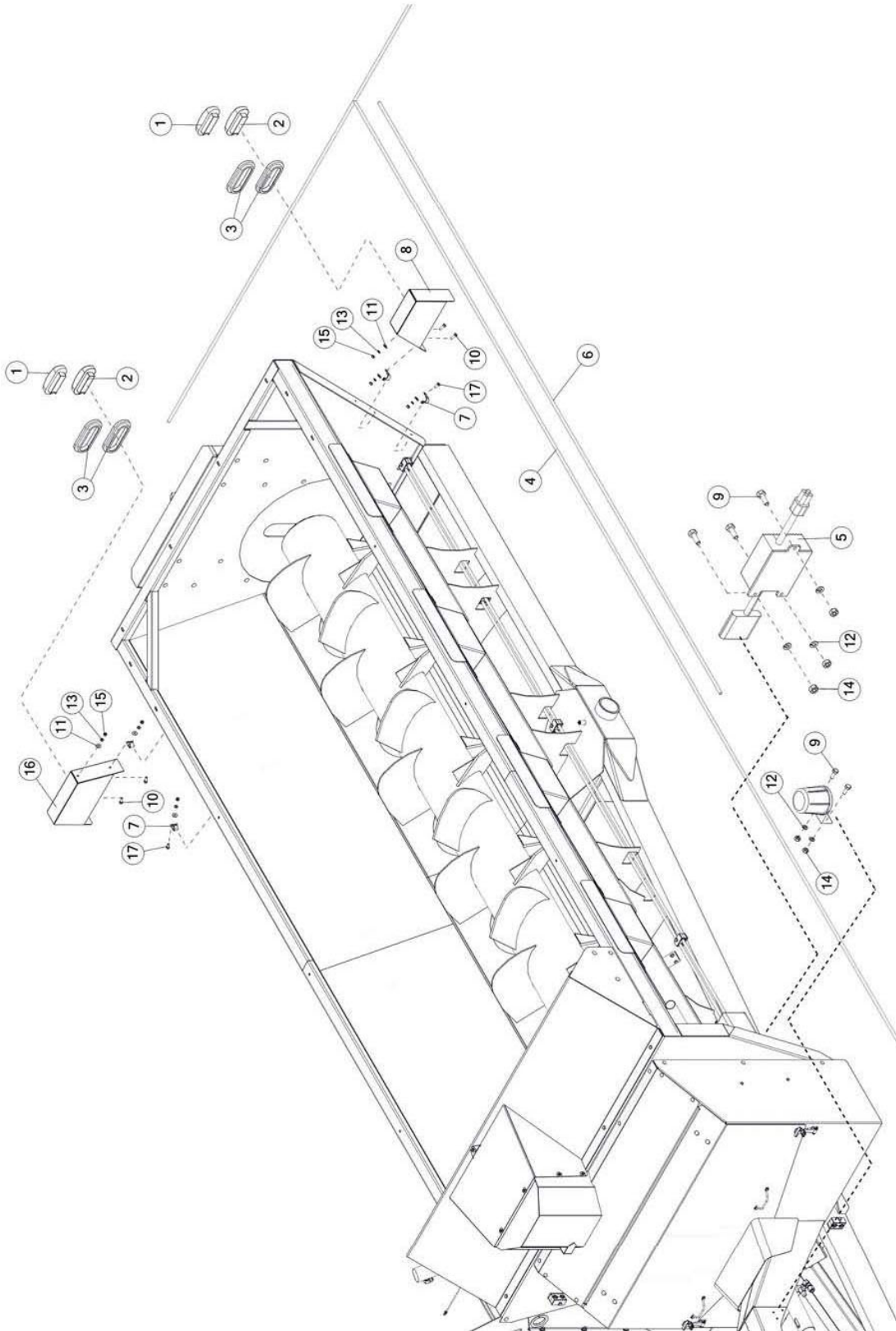


FIGURE 17
LIGHTS (OPTIONAL)

<u>ITEM</u>	<u>QTY</u>	<u>PART#</u>	<u>DESCRIPTION</u>
1	2	S309	YELLOW HAZARD LIGHT
2	2	S310	RED TAIL LIGHT
3	4	S308	RUBBER LIGHT MOUNT
4	1	1080	TAIL LIGHT LOOM
5	1	69908	LIGHT MODULE
6	1	TS317	WIRE HARNESS
7	4	HGV162	RUBBER CUSHION CLAMP 1
8	1	59861	LIGHT BOX LEFT
9	5	YSPP64010	SCREW HEAD MACHINE PHILLIPS #10-32 X 1
10	4	YBHH10010	BOLT, 5/16 X 1 G5
11	6	YWFL10005	WASHER FLAT, 5/16 USS
12	5	YWLO08005	WASHER LOCK, 1/4
13	6	YWLO10005	WASHER LOCK, 5/16
14	5	YNHX64005	NUT HEX, #10-32
15	6	YNHX10005	NUT HEX, 5/16 G2
16	1	59865	LIGHT BOX RIGHT
17	2	YBHH10105	BOLT, 5/16 X 3/4 G5

FIGURE 18
AUGER

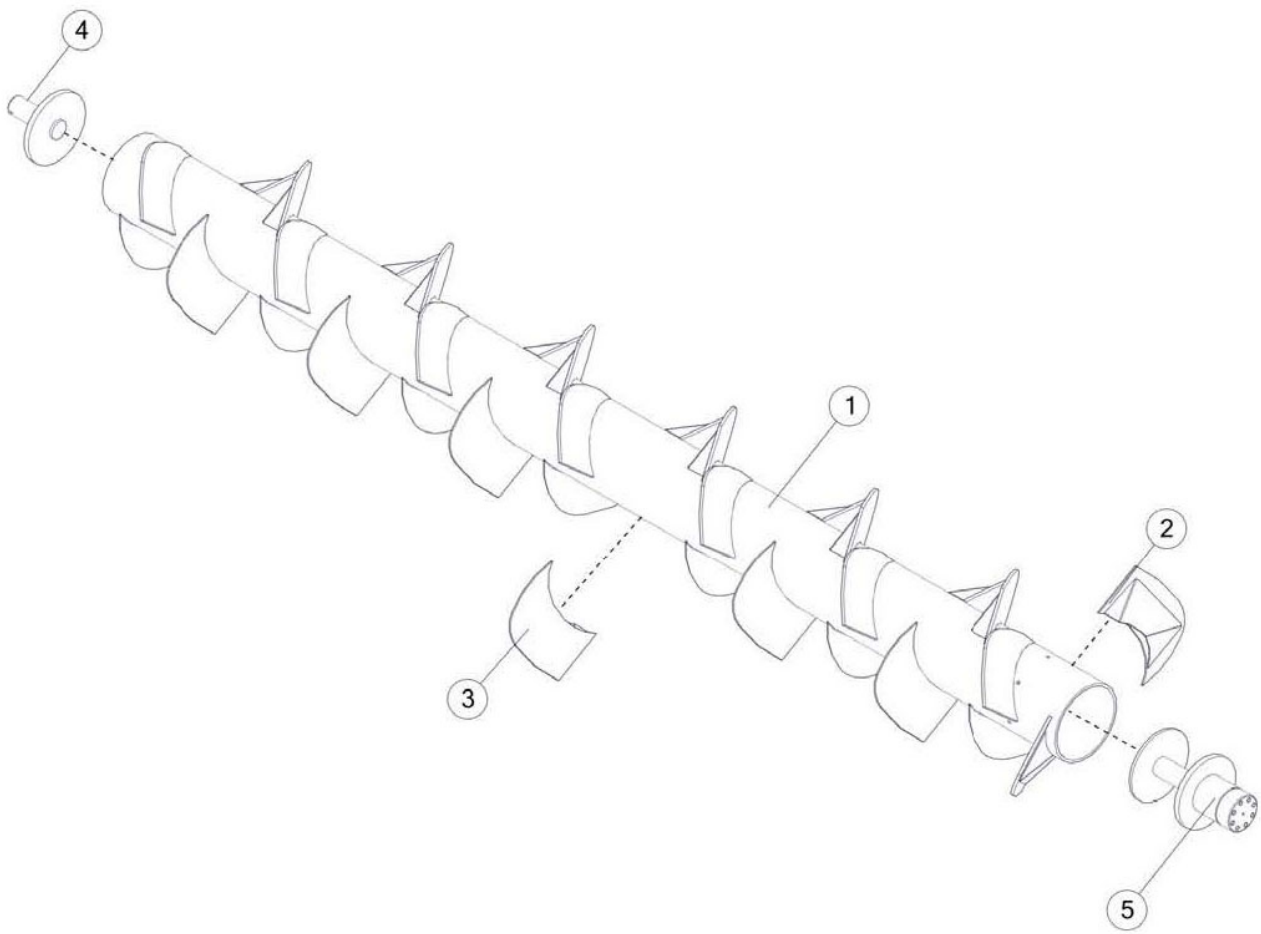


FIGURE 18
AUGER

<u>ITEM</u>	<u>QTY</u>	<u>PART#</u>	<u>DESCRIPTION</u>
1	1	57169	AUGER (COMPLETE)
2	2	TS125	AUGER PADDLE FRONT
3	32	TS126	AUGER PADDLE REAR
4	1	TS127	AUGER REAR ASSEMBLY
5	1	TS128	AUGER INPUT ASSEMBLY

FIGURE 19 **AUGER FRONT/REAR HYDRAULIC CYLINDER**

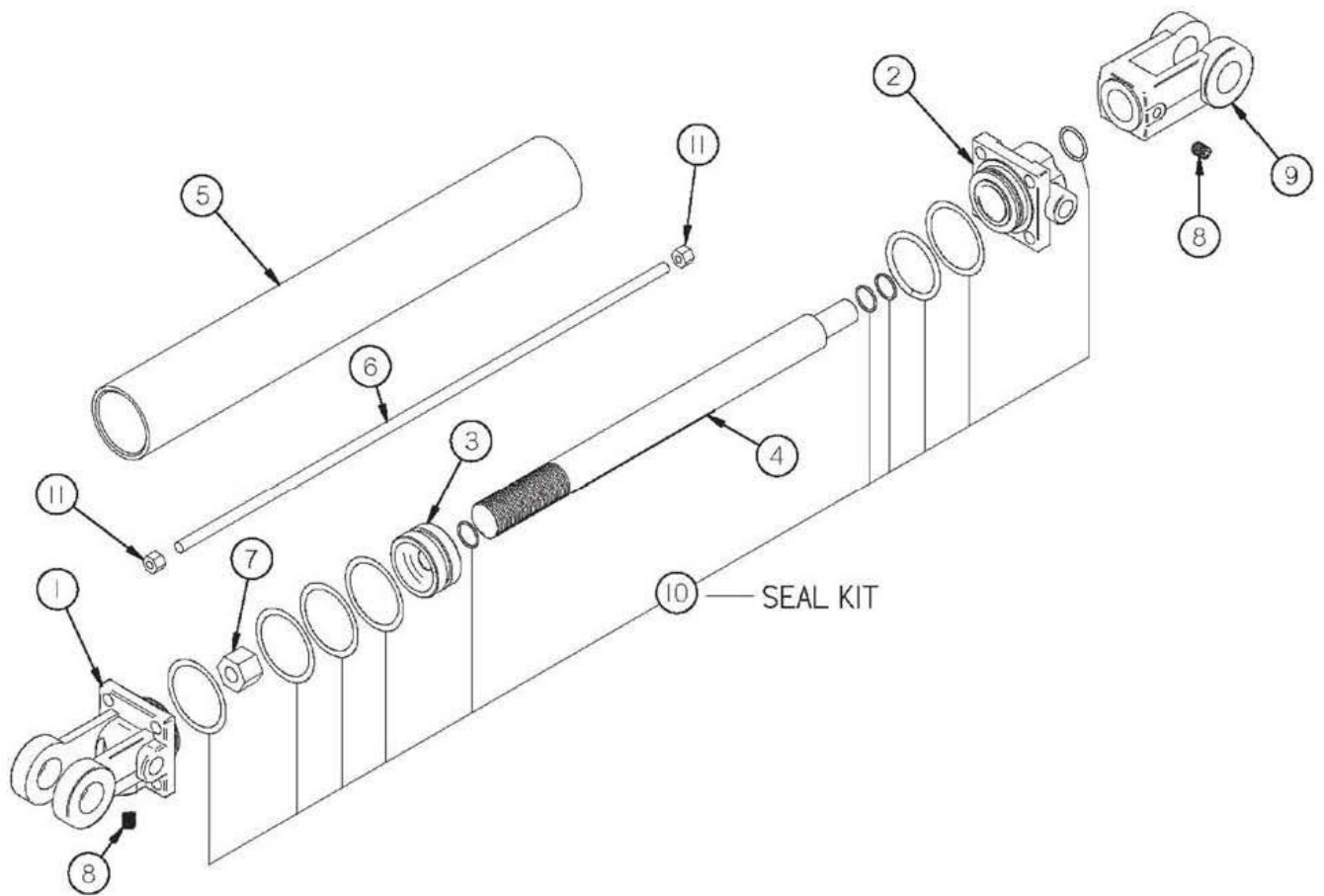


FIGURE 19
AUGER FRONT/REAR HYDRAULIC CYLINDER

<u>ITEM</u>	<u>QTY</u>	<u>PART# 3" BORE</u>	<u>PART# 3-1/4" BORE</u>	<u>DESCRIPTION</u>
1	1	TS160	TS176	BASE (3/4-16 SAE PORT)
2	1	TS158	TS174	HEAD (3/4-16 SAE PORT)
3	1	TS159	TS175	PISTON NUT
4	1	TS156	TS172	ROD
5	1	TS157	TS173	TUBE
6	4	TS153	TS171	TIE ROD
7	1	TS145	TS166	PISTON NUT
8	1	TS152	"	PLUG ASSY (3/4-16 SAE)
9	1	TS155	"	CLEVIS ASSEMBLY
10	1	TS163	TS177	SEAL KIT
11	8	TS144	TS165	TIE ROD NUT

FIGURE 20
TRUNNION MOUNT HYDRAULIC CYLINDER

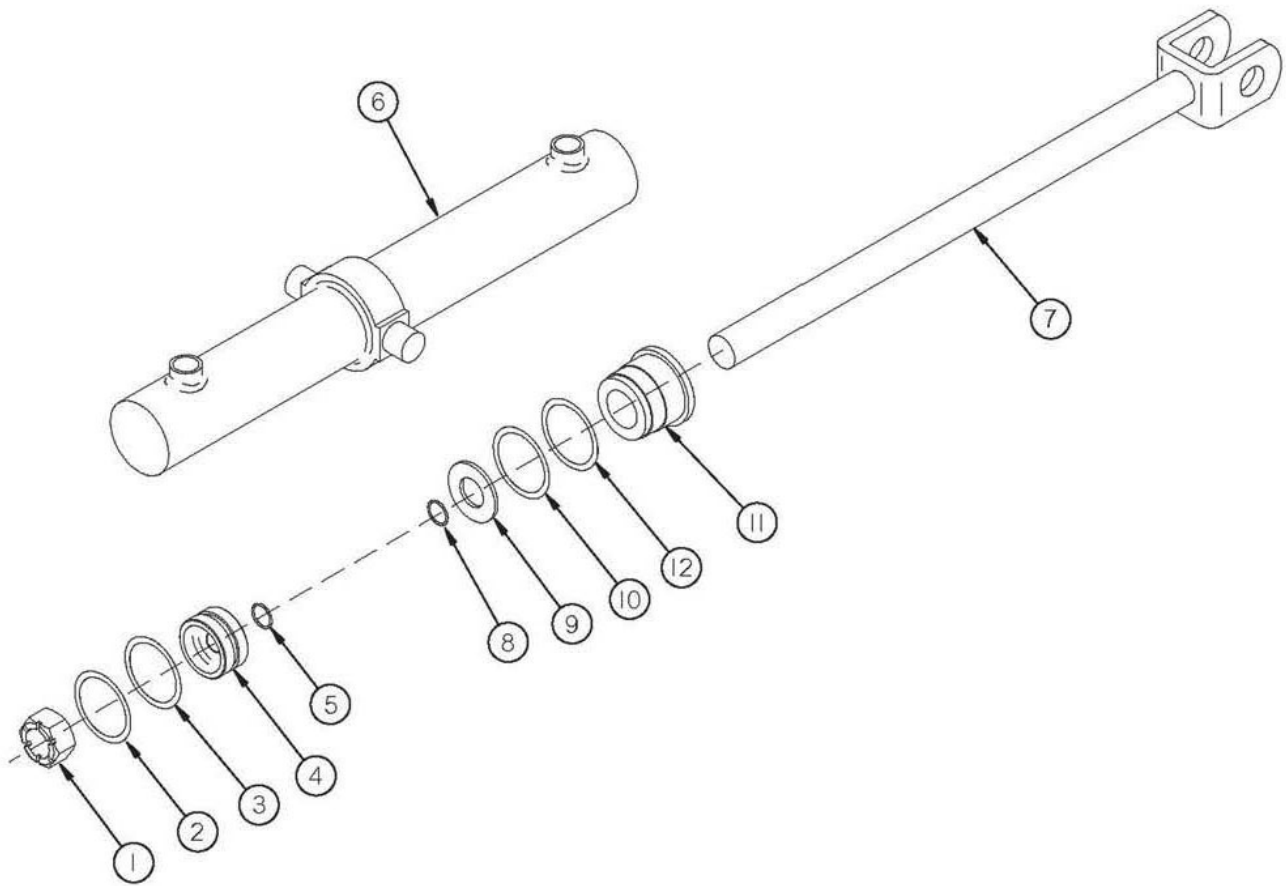


FIGURE 20
TRUNNION MOUNT HYDRAULIC CYLINDER

<u>ITEM</u>	<u>QTY</u>	<u>PART#</u>	<u>DESCRIPTION</u>
1	1	YNSL24010	NUT HEX SLOTTED, 3/4
2	1	TS344	WEAR RING
3	1	TS345	CAPPED T-SEAL
4	1	TS346	PISTON
5	1	TS347	O-RING
6	1	TS348	JACKET ASSEMBLY
7	1	TS349	PISTON ROD
8	1	TS350	O-RING
9	1	TS351	BACKUP WASHER
10	1	TS352	POLYPAK
11	1	TS353	GLAND NUT
12	1	TS354	METALLIC WIPER
*	1	TS355	SEAL KIT

***MEANS NOT SHOWN**

FIGURE 21
PTO (540 RPM)

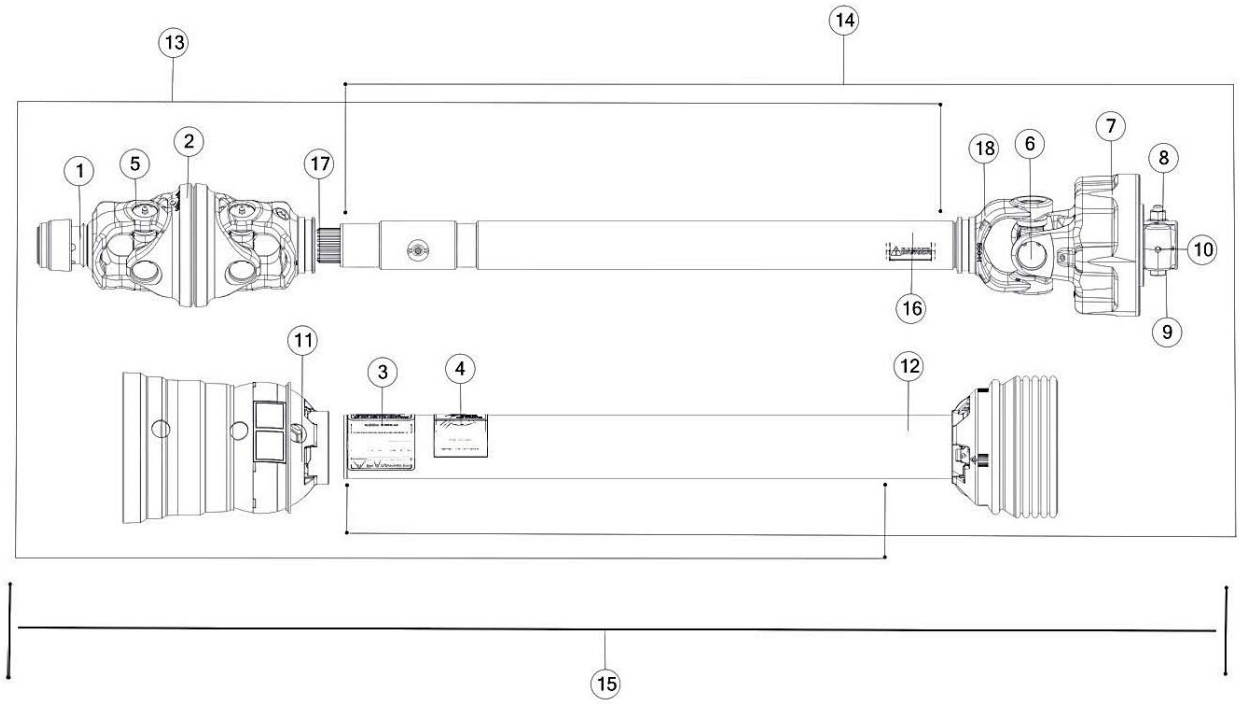


FIGURE 21

PTO (540 RPM)

<u>ITEM</u>	<u>QTY</u>	<u>PART#</u>	<u>DESCRIPTION</u>
1	1	70589	PTO YOKE TUBE & SLIP SLEEVE, 540 RPM
2	1	56509	CENTER HOUSING
3	1	1494L	DECAL-DANGER ROTATING DRIVE
4	1	16SV286	SAFETY SIGN
5	1	56656	CROSS KIT
6	1	63405	CROSS KIT
7	1	70565	PTO CLUTCH
8	1	YWFG16005	NUT HEX FLANGE, 1/2
9	1	YBFB16040	BOLT FLANGE, 1/2 X 3 G8
10	1	YSKP12030	SCREW SOCKET KNURLED, 3/8-16 X 3/8
11	1	57973	OUTER GUARD
12	1	70597	OUTER GUARD
13	1	57967	JOINT & SHAFT HALF ASSY. W/ GUARD
14	1	70591	PTO JOINT & TUBE HALF GUARDED, 540 RPM
15	1	70647	PTO 540 RPM
16	1	16SV388	DECAL, PTO SAFETY INNER GUARD
17	1	57971	YOKE & SHAFT
18	1	70598	PTO YOKE TUBE & SLIP SLEEVE, 540 RPM
*	1	57972	GUARD REPAIR KIT
*	1	16SV274	SAFETY SLIDE LOCK REPAIR KIT
*	1	S402	ADMA SAFETY MANUAL

***MEANS NOT SHOWN**

FIGURE 22
PTO (1000 RPM)

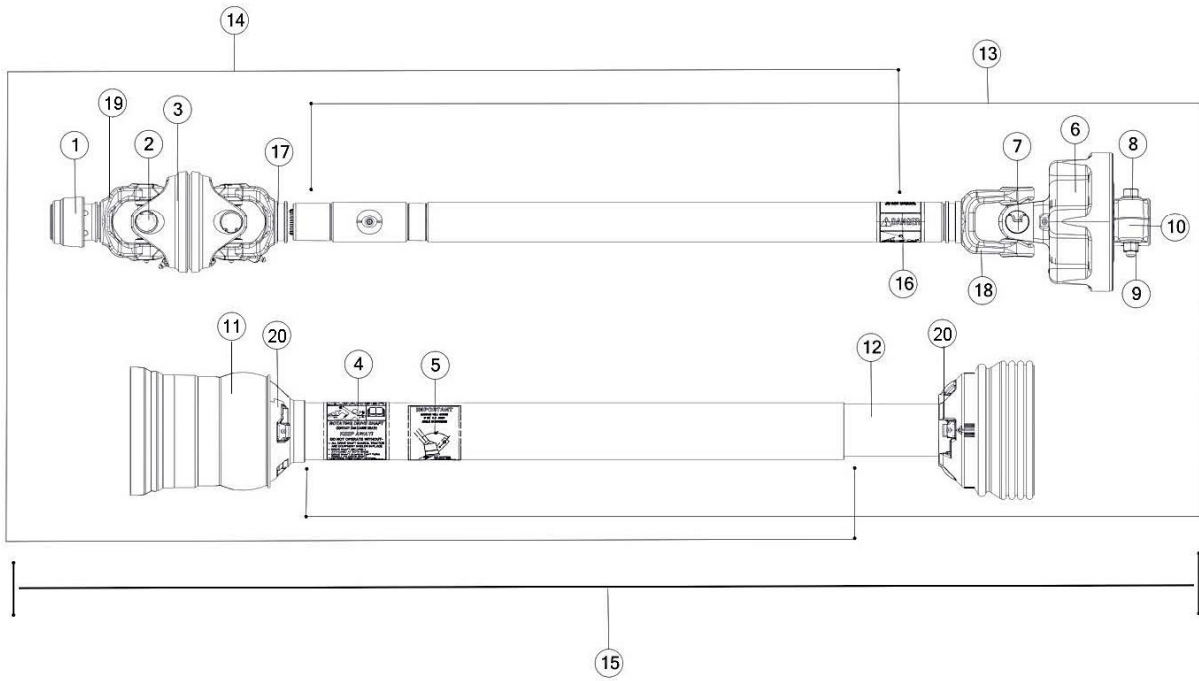


FIGURE 22

PTO (1000 RPM)

<u>ITEM</u>	<u>QTY</u>	<u>PART#</u>	<u>DESCRIPTION</u>
1	1	63389	YOKE, 4 80 WWCV, AUTO-LOC
2	1	63784	CROSS KIT, AB6/AW22/480 EBL
3	1	TS180	CENTER HOUSING
4	1	1494L	DECAL-DANGER ROTATING DRIVE
5	1	16SV286	SAFETY SIGN (C.V INSTRUCTIONAL DECAL)
6	1	70563	PTO CLUTCH
7	1	61370	CROSS KIT
8	1	YBFB16040	BOLT FLANGE, 1/2 X 3 G8
9	1	YNFG16005	NUT HEXFLANGED, 1/2
10	1	YSKP12030	SCREW SOCKET KNURLED, 3/8 X 3/8
11	1	TS182	OUTER GUARD
12	1	70585	INNER GUARD
13	1	70581	JOINT & TUBE HALF GUARDED, 1000 RPM
14	1	63790	JOINT & SHAFT HALF GUARDED
15	1	70329	PTO 1000 RPM
16	1	16SV388	DECAL, PTO SAFETY INNER GUARD
17	1	70583	YOKE & SHAFT, 1000 RPM
18	1	70586	YOKE TUBE & SLIP SLEEVE, 1000 RPM
*	1	16SV383	GUARD REPAIR KIT
*	1	16SV274	SAFETY SLIDE LOCK REPAIR KIT
*	1	S402	ADMA SAFETY MANUAL

***MEANS NOT SHOWN**

PARTS NOTES

A series of 28 horizontal lines spanning the width of the page, intended for handwritten notes. The lines are evenly spaced and cover most of the page area below the header and above the footer.

CHANGE NOTES

1. Replace YBHH16155 with YBHH16160 ON FIGURE 13, ITEM 6.
2. Add Optional Drop Axle

H&S MFG. CO.

products approved

for the

FEMA

SEAL OF QUALITY

