



5215
TOP SHOT
MANURE SPREADER
PARTS BOOK

Part #72418 HSMFG012423 Rev. #07 Starting Ser. #322TS15001

STRONG HERITAGE - STRONG PEOPLE - STRONGER FUTURE



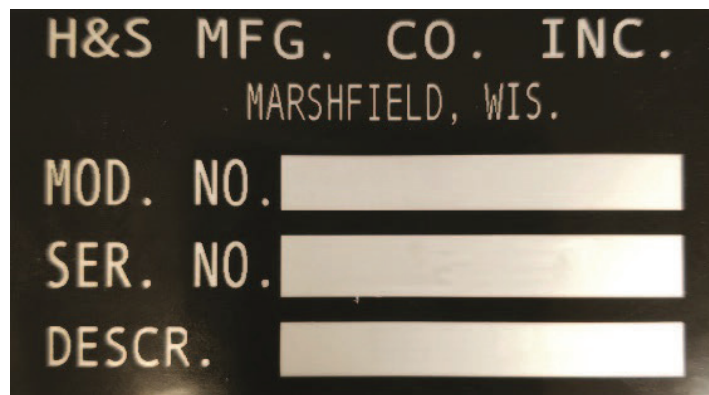
INSTRUCTIONS FOR ORDERING PARTS

All service parts should be ordered through your authorized H&S dealer. Your Dealership will be able to give you faster service if you will provide them with the following:

1. All references to left or right apply to the machine as viewed from the rear.
2. Parts should not be ordered from illustration only. Please order complete part number.
3. If your dealer has to order parts - give shipping instructions:

VIA truck - large pieces (please specify local truck lines)

VIA United Parcel Service (include full address)



MODEL & SERIAL # CAN BE LOCATED ON THE FRONT MAIN FRAME, BELOW THE PTO

PLEASE RECORD NUMBERS FOR YOUR UNIT FOR QUICK REFERENCE

H&S IS CONTINUALLY STRIVING TO IMPROVE ITS PRODUCTS

We must, therefore, reserve the right to make improvements or changes whenever it becomes practical to do so, without incurring any obligation to make changes or additions to the equipment previously sold.





FIGURE 1 AUGER/LINER/SLIDES/HITCH

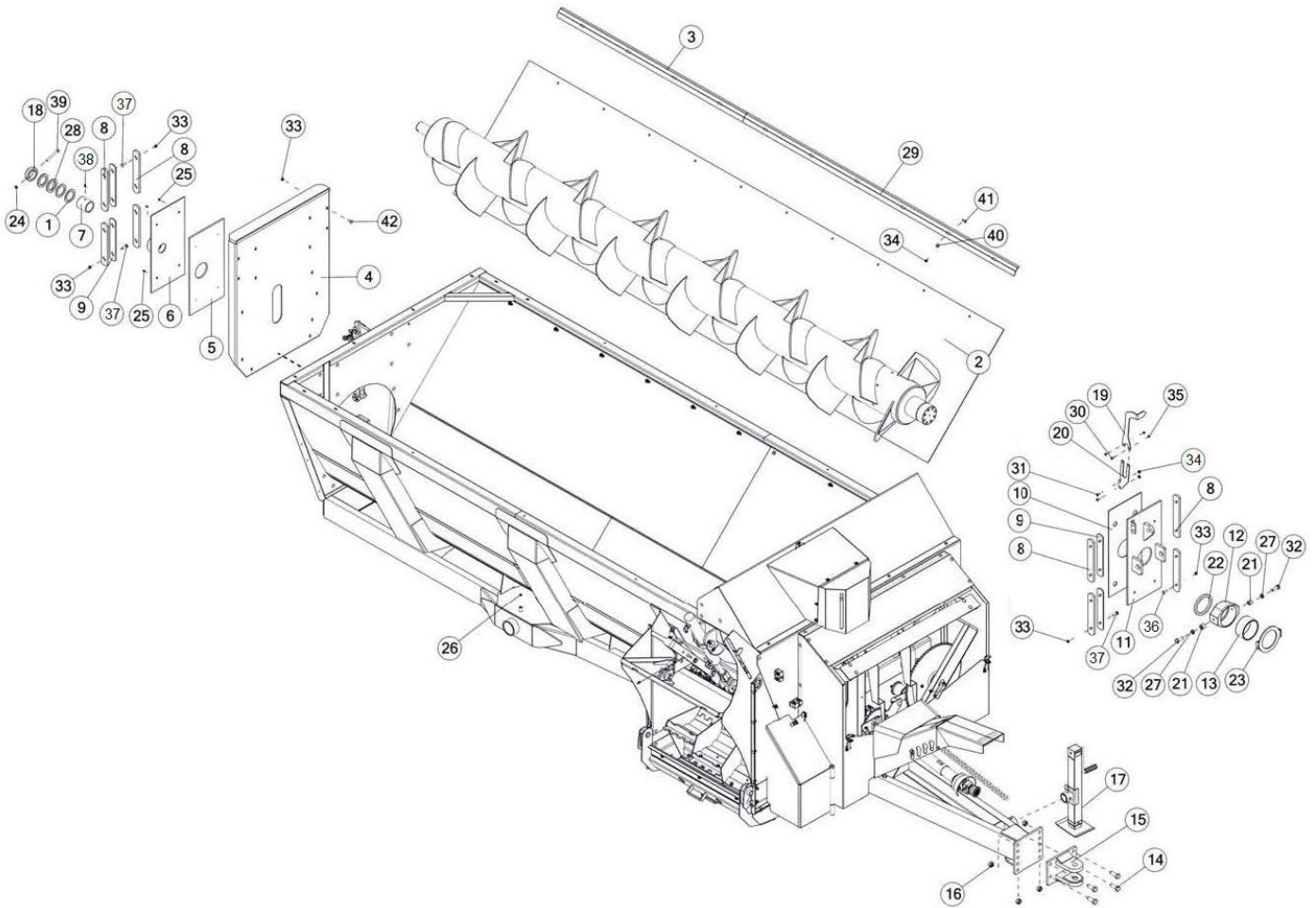




FIGURE 1

AUGER/LINER/SLIDES/HITCH

REF #	PART #	DESCRIPTION	QTY
1	TS28	SHIM	A/R
2	57410	TUB SIDE POLY	1
3	57415	SHORT HOLD DOWN	1
4	57220B	BACK PANEL	1
5	57243B	BACK SLIDER	1
6	57233	SLIDER POLY	1
7	TS9	BUSHING	1
8	TS10	SLIDER GUIDE	8
9	TS308	SLIDER GUIDE THIN	4
10	TS11	FRONT POLY SLIDE	1
11	TS12	FRONT SLIDE PLATE	1
12	TS14	TRUNION CASTING	1
13	TS15	BRONZE BUSHING	1
*	TS399	TRUNNION HOUSING ASSY. ITEM 12 & 13	1
14	YBFB24005	BOLT FLANGE, 3/4 X 2-1/2 G8 YZ	4
15	59755	CLEVIS HITCH	1
16	YNFG24006	NUT FLANGE, TOP LOCK 3/4 GG	4
17	TS306	SQUARE JACK	1
18	TS19	AUGER BACK COLLAR	1
19	TS207	AUGER INDICATOR TOP	1
20	TS208	AUGER INDICATOR BOTTOM	1
21	TS330	BUSHING	2
22	TS33	RUBBER GASKET	1
23	TS102	TRUNNION SPACER	1
24	YNL12005	NUT HEX, 3/8	1
25	G89	ZERK, 1/4-28	4
26	BFR28	ZERK, 1/8 NPT	2
27	YWLO20005	WASHER LOCK, 5/8	2
28	TS227	SHIM	2
29	TS4	POLY TOP HOLD DOWN	1
30	YBFB08075	BOLT FLANGE, 1/4 X 3/4 G5	2
31	YBFB10075	BOLT FLANGE, 5/16 X 3/4 G5	2
32	YBHH20022	BOLT, 5/8 X 1-3/4 G8	2
33	YNFG12006	NUT FLANGE, 3/8 GF	33
34	YNHX10005	NUT HEX, 5/16	20
35	YNHX08005	NUT HEX, 1/4	2
36	YBCR12015	BOLT CARRIAGE, 3/8-16 X 1-1/2 G5	4
37	YBCR12030	BOLT CARRIAGE, 3/8-16 X 1-3/4 G5 ZC	12
38	RG51	ZERK, 90 DEGREE 1/4-28	2





FIGURE 1 AUGER/LINER/SLIDES/HITCH

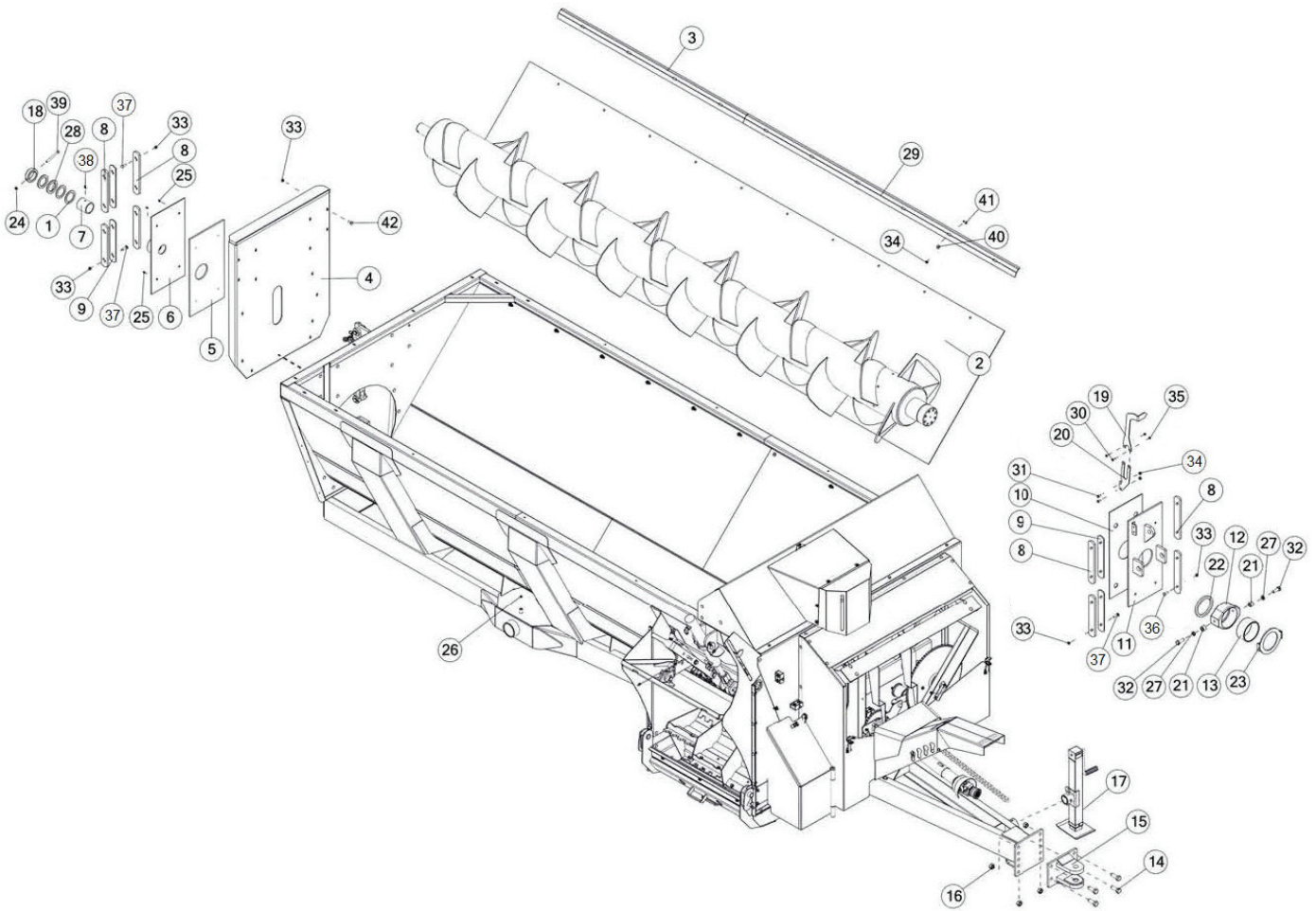




FIGURE 2 AUGER DRIVE

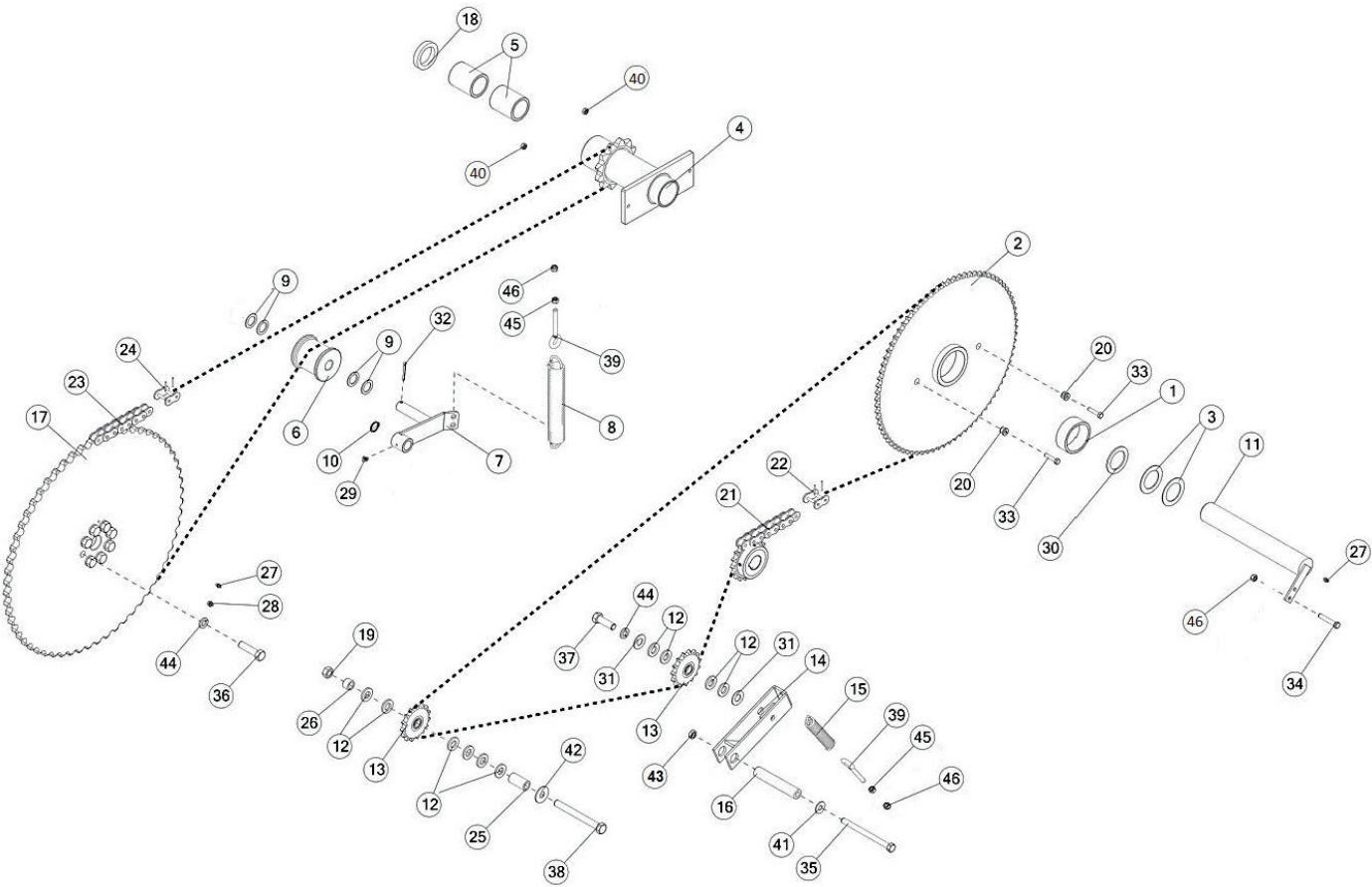




FIGURE 2

AUGER DRIVE

REF #	PART #	DESCRIPTION	QTY
1	TS20	BUSHING	1
2	TS21	SPROCKET 80T (540RPM)	1
*	TS312	SPROCKET 119T (1000RPM)	1
3	TS22	SHIM	A/R
4	TS23	COUNTER SHAFT ASSY INCLUDES RG60 BUSHING	1
5	RG60	BUSHING	2
6	TS25	ROLLER IDLER	1
7	TS26	AUGER CHAIN TENSIONER	1
8	BFR138	SPRING	1
9	YWFL32005	WASHER, FLAT, SAE, 1 ZINC	4
10	3G21	SNAP RING	1
11	73569	SHAFT	1
12	T73	SPACER	A/R
13	TS29	SPROCKET, ASSY	2
14	TS30	IDLER ASSY	1
15	ST36	SPRING EXTENSION	1
16	TS31	TENSIONER PIVOT TUBE	1
17	TS32	SPROCKET 60T, ASSY	1
18	TS328	SPACER	1
19	YNTL20005	NUT HEX, 5/8	1
20	TS34	BUSHING	2
21	TS39	ROLLER CHAIN, #60H, 138	1
*	TS360	ROLLER CHAIN #60HE X 136 540 RPM-13T SPRCKT	1
*	TS361	ROLLER CHAIN #60HE X 140 540 RPM-20T SPRCKT	1
*	TS313	ROLLER CHAIN, #60H, 166P	1
*	TS362	ROLLER CHAIN #60HE X 165 1000 RPM-13T SPRCKT	1
*	TS363	ROLLER CHAIN #60HE X 167 1000 RPM-16T SPRCKT	1
22	57887	CONNECTOR LINK	1
23	57547	ROLLER CHAIN, #100HE X 75	1
24	57886	CONNECTOR LINK	1
25	TS396	SPACER	1
26	TS397	SPACER	1
27	G89	ZERK	2
28	BFR28	ZERK, 1/8 NPT	2
29	RG51	ZERK, 1/4-28	1
30	56N183	SPACER	A/R
31	16SV49	SPACER	A/R
32	YPCT06005	COTTER PIN, 3/16 X 1-1/2	1
33	YBHH10036	BOLT HEX, 5/16 X 1-1/2 G8	2





FIGURE 2
AUGER DRIVE

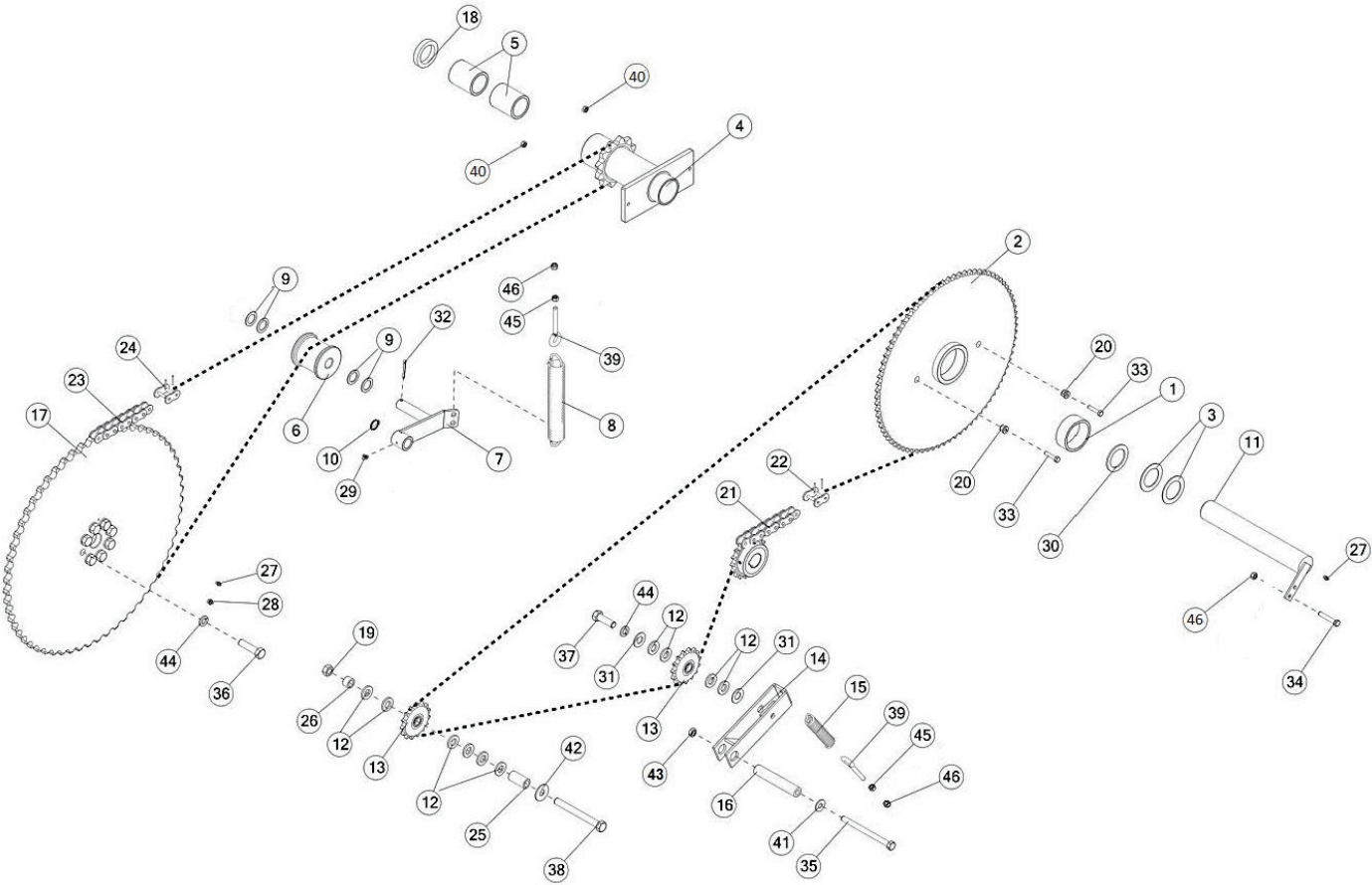




FIGURE 3
EXPELLER/DISCHARGE GATE/BEARINGS

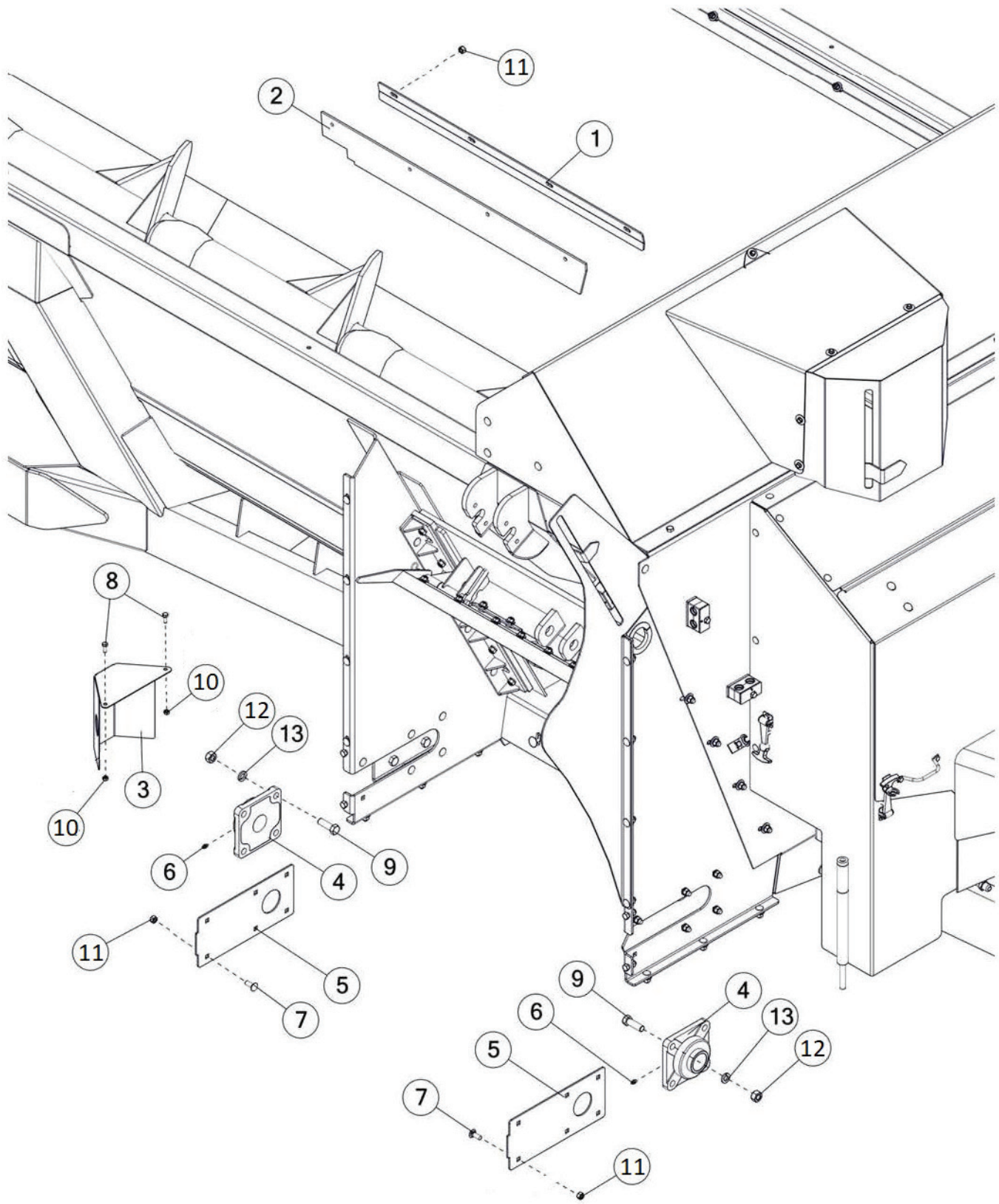




FIGURE 4 EXPELLER/DISCHARGE GATE/DOOR

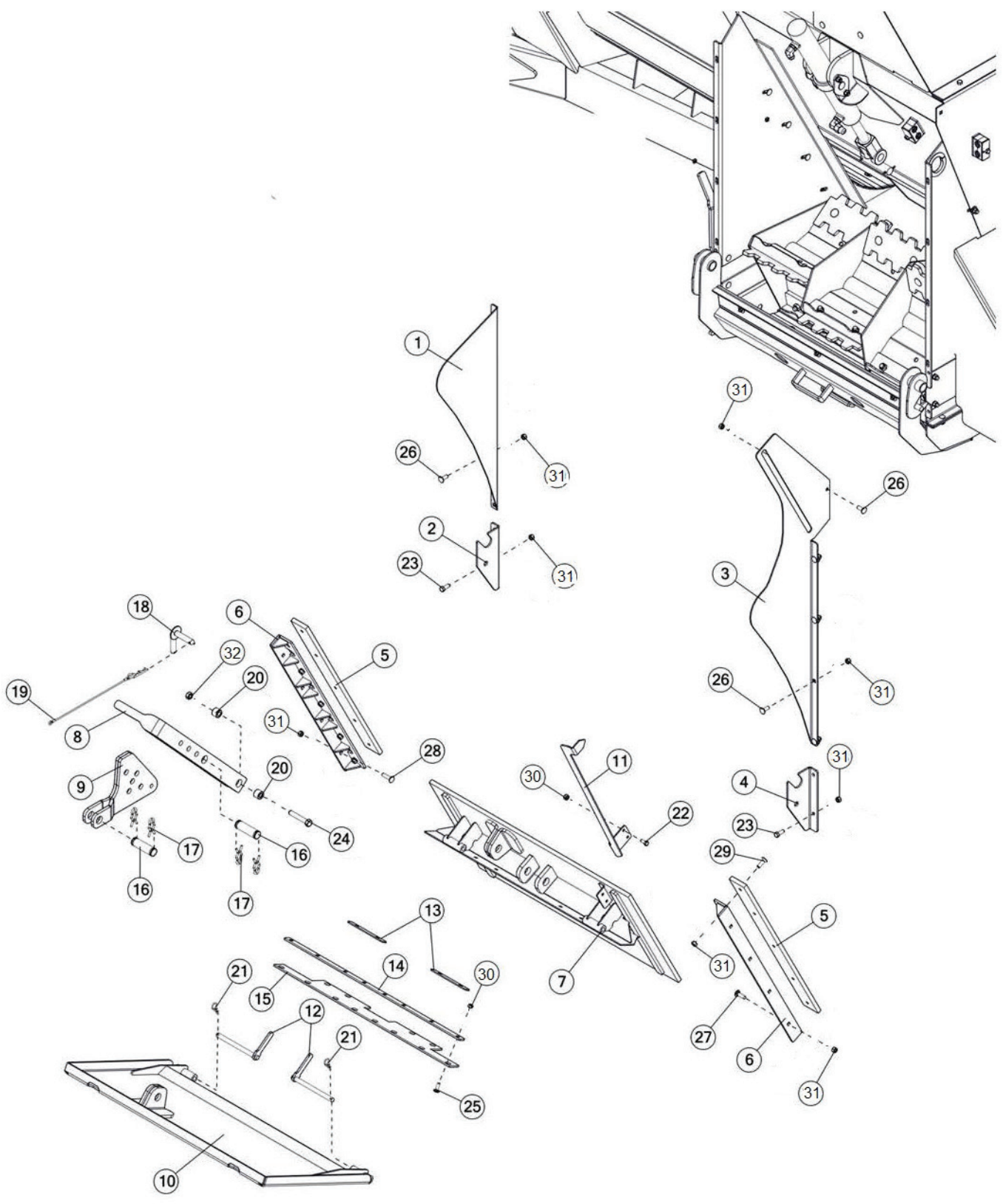




FIGURE 4

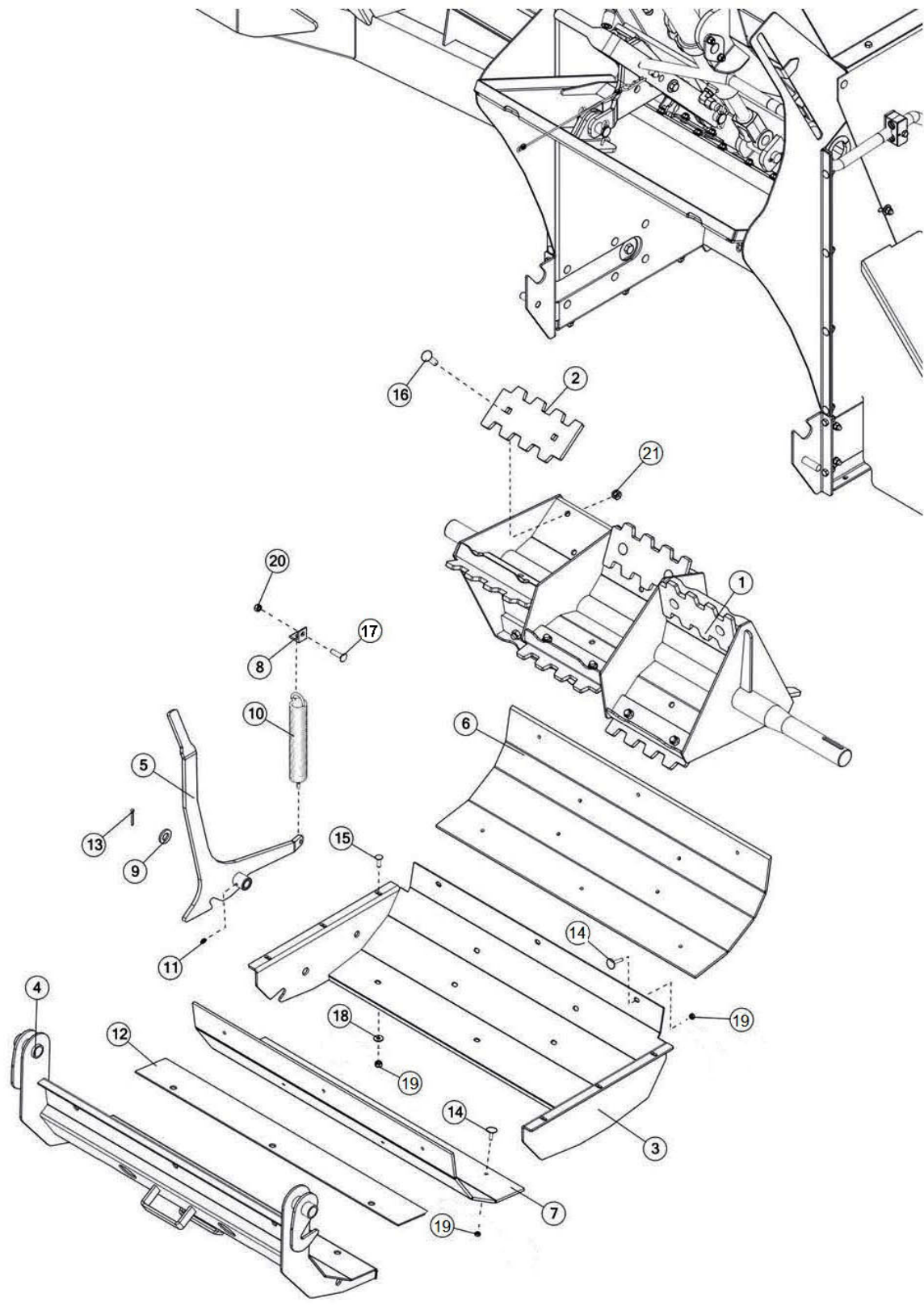
EXPELLER/DISCHARGE GATE/DOOR

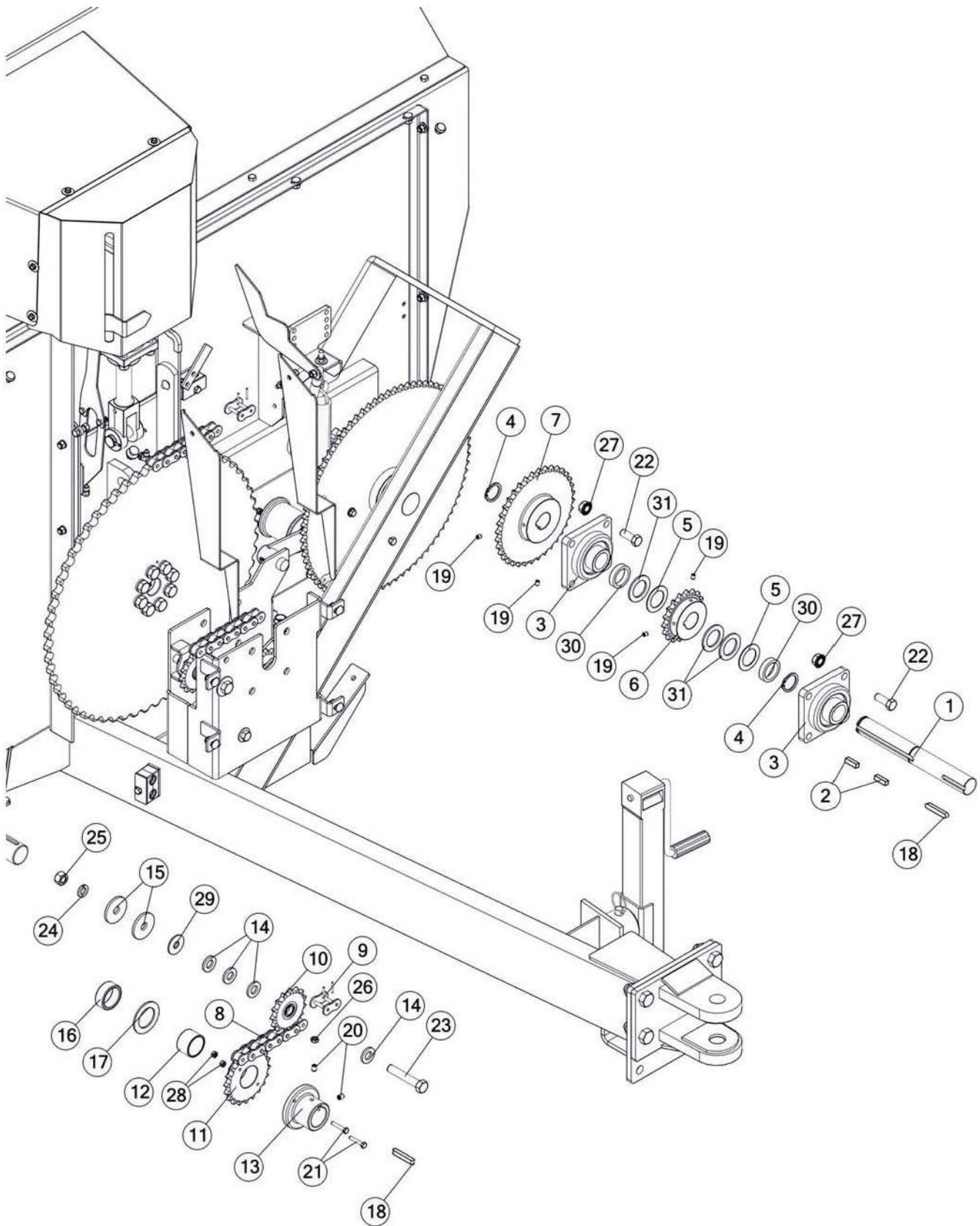
REF #	PART #	DESCRIPTION	QTY
1	TS48B	EXPELLER PANEL LH W/DECALS	1
2	TS49	PAN HINGE BRACKET LH	1
3	57257B	EXPELLER SPOUT RH W/DECALS	1
4	TS51	PAN HINGE BRACKET RH	1
5	TS52	DOOR SLIDER POLY	2
6	TS53	EXPELLER DOOR GUIDE	2
7	57206	EXPELLER DOOR	1
8	TS55	HANDLE	1
9	TS56	LINK	1
10	57211B	DEFLECTOR W/DECALS	1
11	TS58	DOOR INDICATOR	1
12	TS59	DEFLECTOR SIDE PIN	2
13	TS65	STRAP	2
14	57874	STRAP	1
15	57870	SEAL	1
16	T143	CYLINDER PIN	2
17	YPHR02020	HAIR PIN, #23-10	4
18	TS69	HANDLE PIN	1
19	57616	LANYARD HAIR PIN	1
20	TS307	HANDLE PIVOT	2
21	YPHR02005	HAIR PIN	2
22	YBFB10075	BOLT FLANGE, 5/16 X 3/4 G5	2
23	YBFB12003	BOLT FLANGE, 3/8 X 1 G5 ZC	4
24	YBFB16300	BOLT FLANGE, 1/2 X 3 G5	1
25	YBCR10020	BOLT CARRIAGE, 5/16-18 X 1-1/4 G5 ZC	12
26	YBCR12010	BOLT CARRIAGE, 3/8 X 1 G5	9
27	YBCR12020	BOLT CARRIAGE, 3/8 X 1-1/4 G5	4
28	YBCR12015	BOLT CARRIAGE, 3/8 X 1-1/2 G5	4
29	YSFS12016	FLAT HEAD SOCKET CAP SCREW, 3/8-16 X 1-1/2 ZC	10
30	YNFG10005	NUT FLANGE, 5/16 GF	14
31	YNFG12006	NUT FLANGE, 3/8 GF	31
32	YNFG16003	NUT FLANGE, 1/2 GF	1





FIGURE 5 EXPELLER/DISCHARGE GATE/PAN





REF #	PART #	DESCRIPTION	QTY
1	93258	INPUT SHAFT	1
2	68856	SQUARE KEY, 3/8 X 1-1/4	2
3	12V99	BEARING	2
4	12V62	SNAP RING	2
5	16SV374	SPACER	A/R
6	TS35	SPROCKET/60B18 STD-540, FACTORY	1
*	TS36	SPROCKET/ASSY 13T OPT-540, FIELD	1
*	TS37	SPROCKET/60B15T OPT-540 RPM STD-1000 RPM	1
*	TS38	SPROCKET/60B20 OPT-540 RPM	1
*	TS364	SPROCKET/60B16 OPT-1000 RPM	1
7	TS79	SPROCKET/60B36 STD-540 RPM	1
*	TS80	SPROCKET/EXP DRIVE ASSY 30T OPT-540 RPM	1
*	TS81	SPROCKET/60X27T OPT-540 RPM	1
*	TS38	SPROCKET/60B20 OPT-1000 RPM	1
*	TS318	SPROCKET/ASSY 16T OPT-1000 RPM	1
*	TS37	SPROCKET/ASSY 15T OPT-1000 RPM	1
*	TS36	SPROCKET/ASSY 13T OPT-540 & 1000 RPM	1
8	TS82	ROLLER CHAIN, #60H, 100P	1
*	TS367	ROLLER CHAIN #60HE X 97 540 RPM-30T SPRCKT	1
*	TS368	ROLLER CHAIN #60HE X 96 540 RPM-27T SPRCKT	1
*	TS316	ROLLER CHAIN, #60H, 92P	1
*	TS369	ROLLER CHAIN #60HE X 90 1000 RPM-16T SPRCKT	1
*	TS370	ROLLER CHAIN #60HE X 89 1000 RPM-15T SPRCKT	1
*	TS371	ROLLER CHAIN #60HE X 88 1000 RPM-13T SPRCKT	1
9	57887	CONNECTOR LINK #60HE	1
10	TS29	IDLER	1
11	TS84	SPROCKET ASSY, 20T	1
12	TS85	BUSHING	1
13	TS86	SHEAR HUB	1
14	T73	SPACER	A/R
15	F129	TIGHTENER WASHER	2
16	TS329	EXPELLER DRIVE SPACER	1
17	S409	SHIM	A/R
18	S138	SQUARE KEY 3/8 X 2-3/8	2
19	YSKP10010	SCREW SOCKET KNURLED, 5/16 X 3/8	4
20	YSKP12010	SCREW SOCKET KNURLED, 3/8 X 1/2	2
21	YBHH08027	BOLT HEX, 1/4 X 1-1/2 G8	2
22	YBHH18005	BOLT HEX, 9/16 X 1-1/2 G5	8
23	YBFB20350	BOLT FLANGE, 5/8 X 3-1/2 G5	1





FIGURE 6
INPUT SHAFT/EXPELLER DRIVE

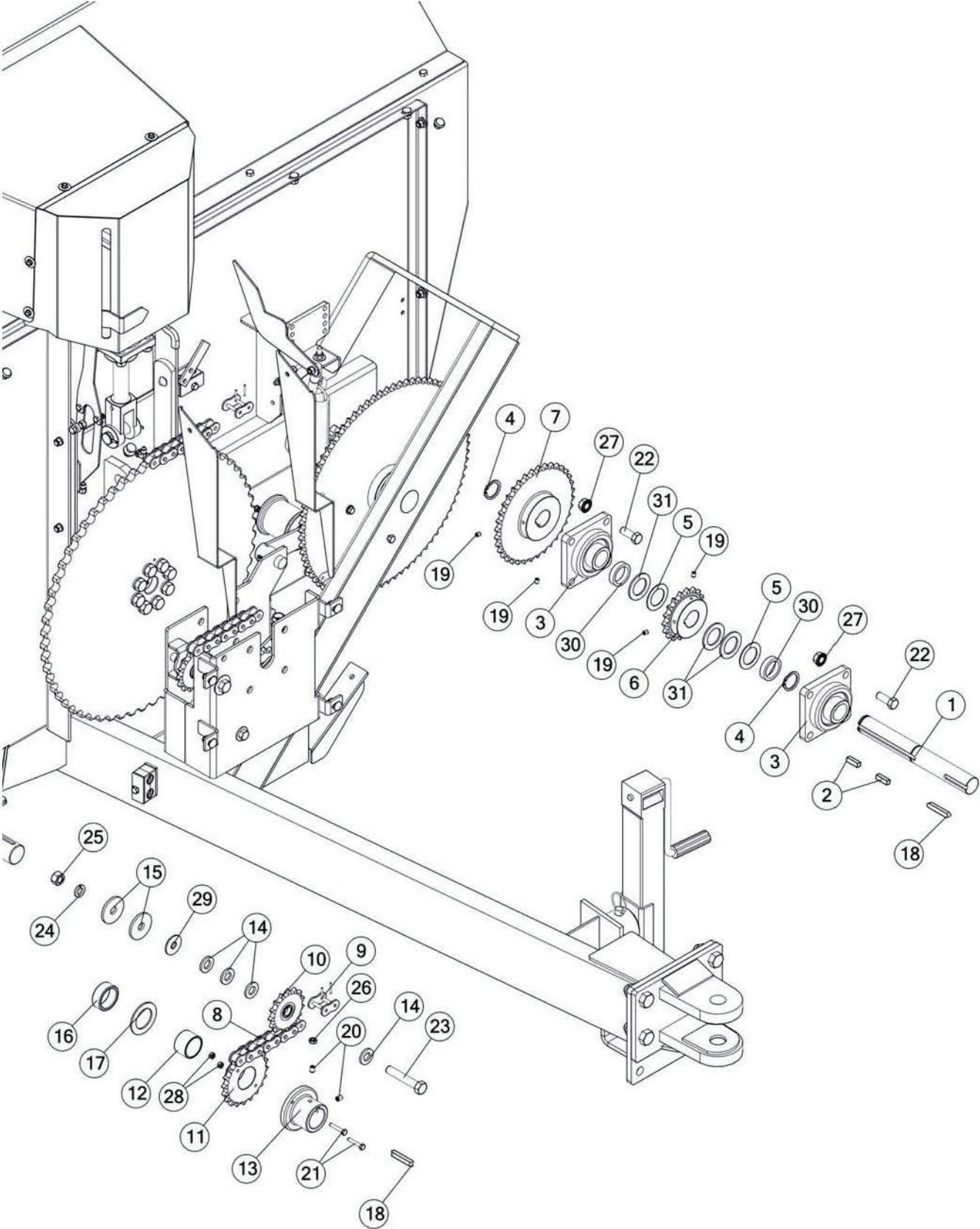




FIGURE 7 GUARDS/SHIELDS

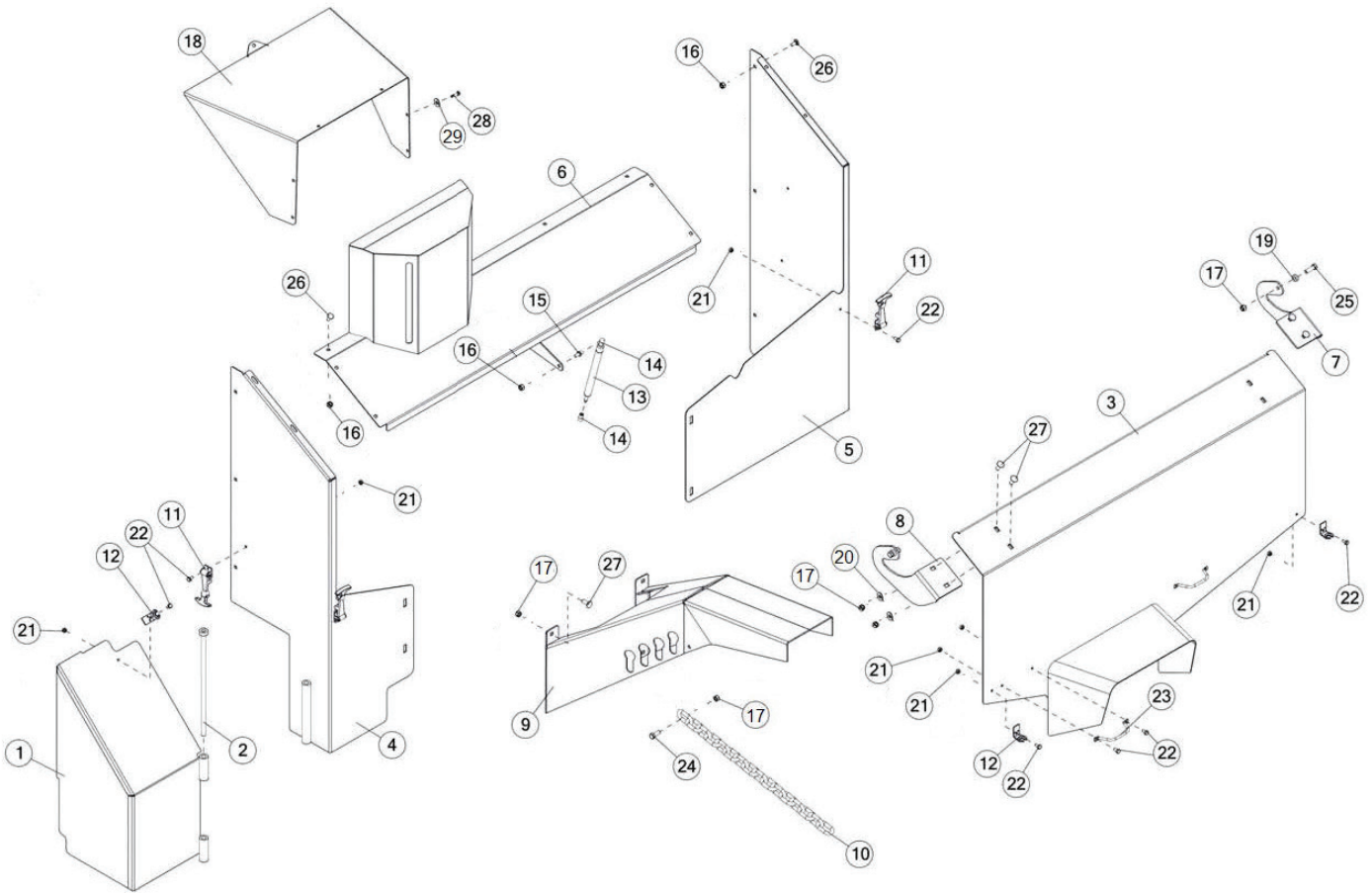




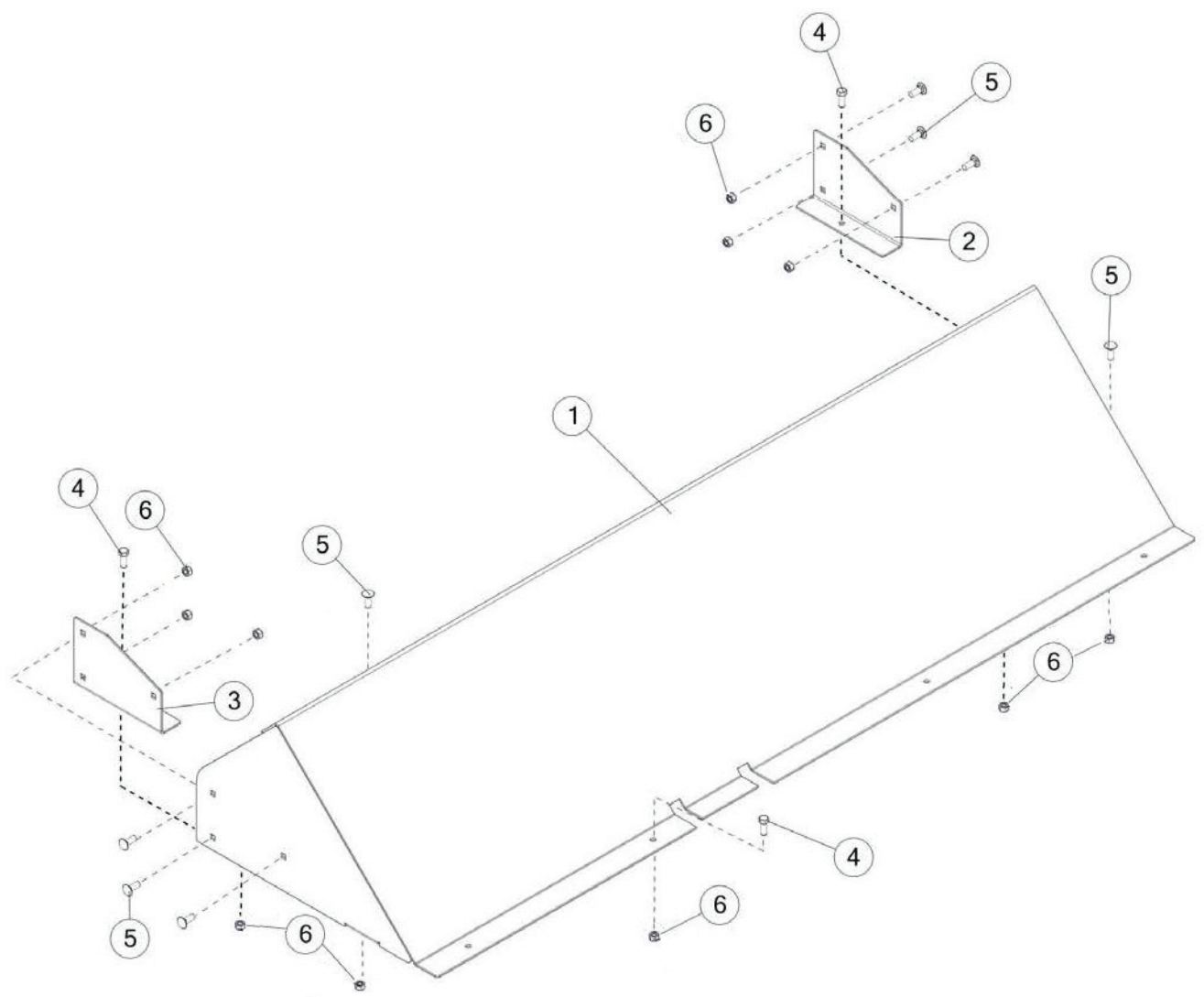
FIGURE 7 GUARDS/SHIELDS

REF #	PART #	DESCRIPTION	QTY
1	TS87B	DRIVE SHIELD W/DECALS	1
2	TS88	SHIELD HINGE	1
3	TS89B	FRONT SHIELD DOOR W/DECALS	1
4	TS90	FRONT SHIELD RH	1
5	TS91	FRONT SHIELD LH	1
6	TS92B	FRONT SHIELD TOP W/DECALS	1
7	TS93	FRONT SHIELD HINGE RH	1
8	TS94	FRONT SHIELD HINGE LH	1
9	TS95B	HOSE HOLDER W/DECALS	1
10	TS130	CHAIN PTO HOLDER	1
11	X233	COMPLETE LATCH	3
12	X193	LATCH CATCH	3
13	TS97	GAS SPRING	1
14	TS381	STEEL BALL SOCKET	2
15	TS382	BALL MOUNT	1
16	YNFG10005	NUT FLANGE, 5/16 GF	13
17	YNFG12006	NUT FLANGE, 3/8 GF	2
18	57325	FILLER SHIELD	1
19	TS331	SHIELD HINGE SPACER	2
20	YWFL12005	WASHER FLAT, 3/8	2
21	YNFG08010	NUT FLANGE , 1/4 GF	9
22	YBHH08100	BOLT HEX, 1/4 X 3/4 G5	9
23	TS96	HANDLE	2
24	YBFB12125	BOLT FLANGE, 3/8 X 1-1/4 G5	1
25	YBFB12150	BOLT FLANGE, 3/8 X 1-1/2 G5	2
26	YBCR10030	BOLT CARRIAGE, 5/16 X 3/4 G5	9
27	YBCR12010	BOLT CARRIAGE, 3/8 X 1 G5	6
28	YSDR08005	SCREW SELF DRILLING , 1/4 X 1	7
29	YWFL10005	WASHER FLAT, 5/16	6





FIGURE 8
FRONT SPLASH GUARD



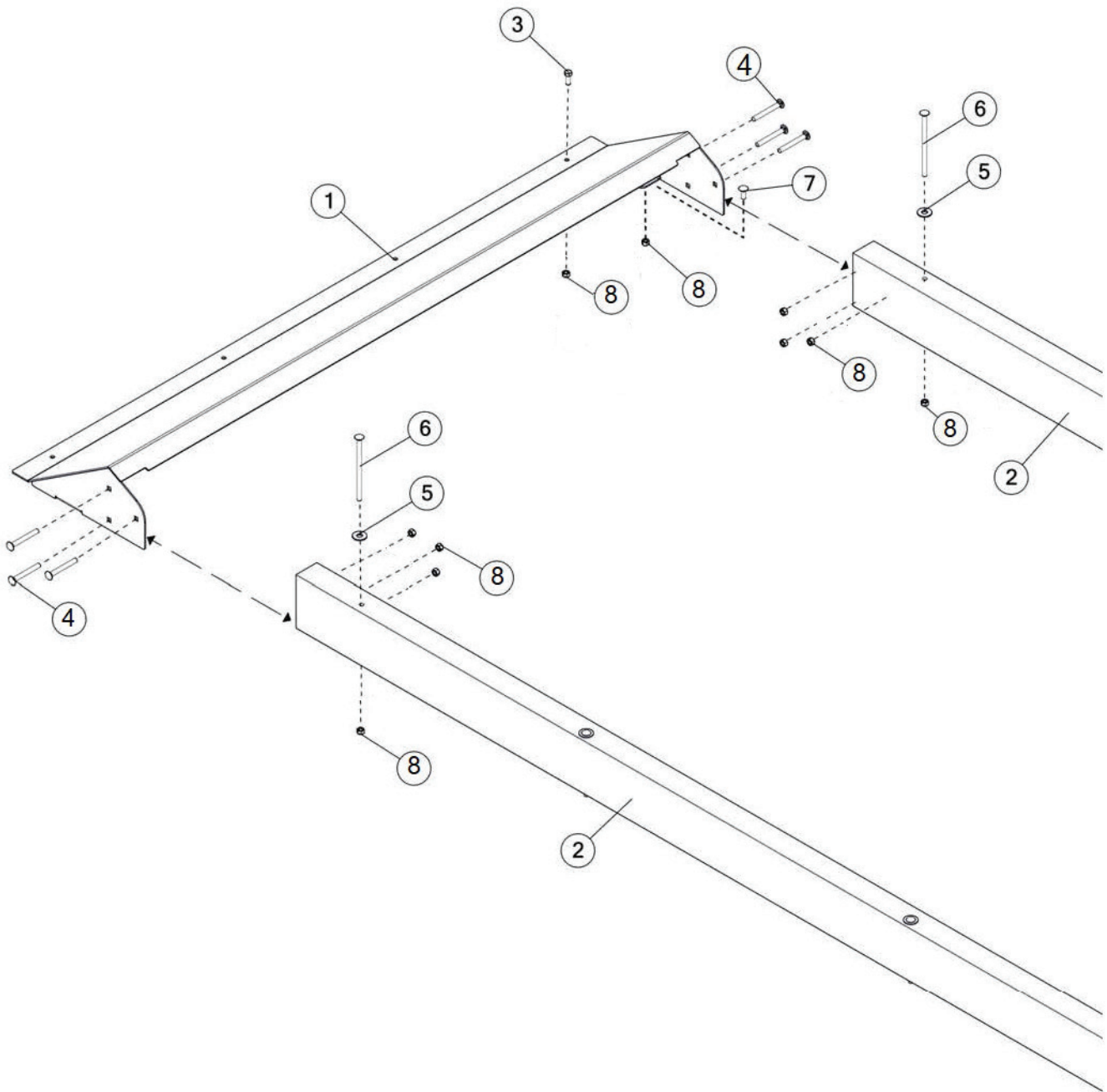




FIGURE 10

OPTIONAL REAR SPLASH GUARD

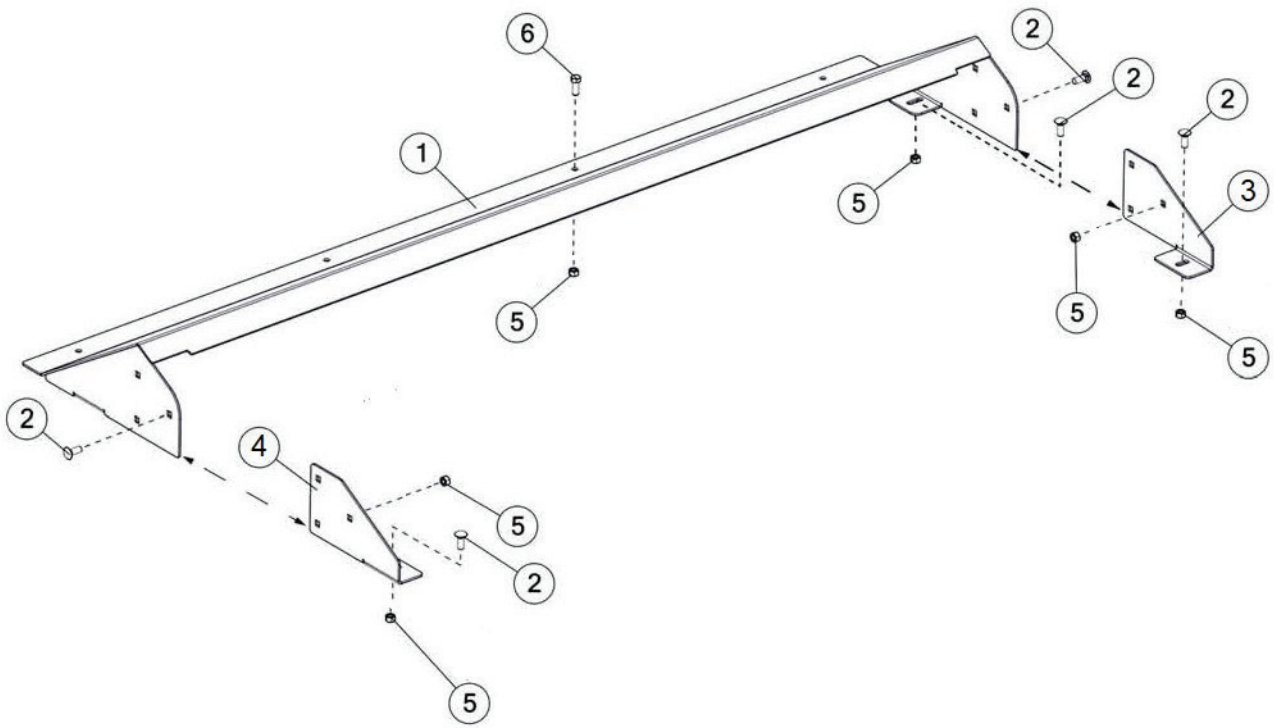
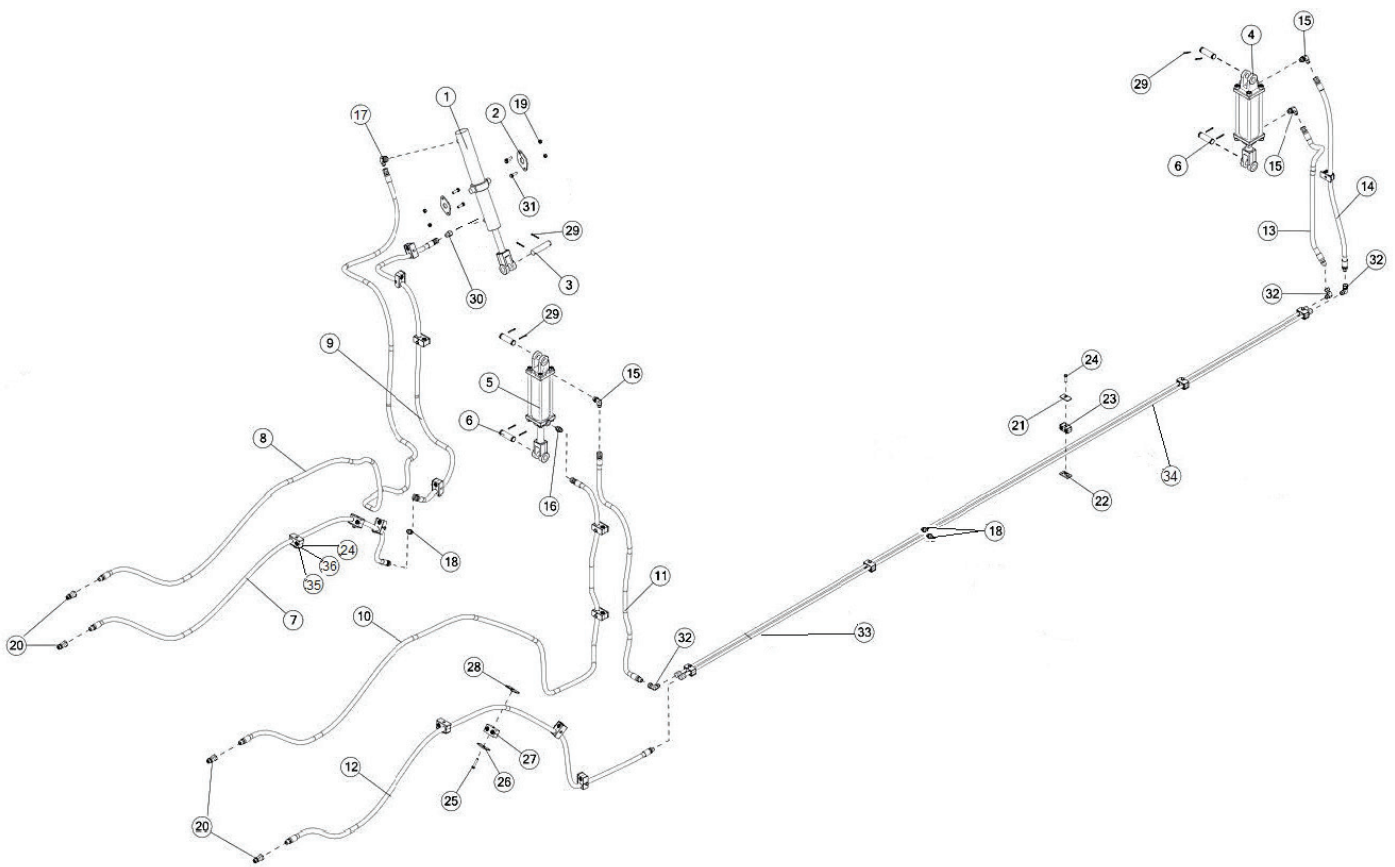
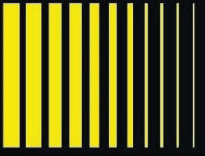




FIGURE 11 HYDRAULICS





REF #	PART #	DESCRIPTION	QTY
1	TS101	TRUNNION MOUNT CYLINDER, 2 X 16	1
2	TS103	MOUNT CLIP	2
3	LW55	TAIL CYLINDER PIN	1
4	TS105	CYLINDER	1
5	TS104	CYLINDER	1
6	T143	CYLINDER PIN	4
7	95961	HYDRAULIC HOSE, 6, 99	1
8	95954	HYDRAULIC HOSE, 6, 194	1
9	91854	HYDRAULIC HOSE, 6, 91	1
10	95952	HYDRAULIC HOSE, 8, 162	1
11	TS112	HYDRAULIC HOSE, 8, 56	1
12	95953	HYDRAULIC HOSE, 8, 128	1
13	TS114	HYDRAULIC HOSE, 8, 38	1
14	TS115	HYDRAULIC HOSE, 8, 49	1
15	TS135	FITTING8-C5OX-S	3
16	TS137	FITTING8F5OX-S	1
17	CHM206	FITTING, 90, 6JIC X 8ORB	2
18	GM17	FITTING ADAPTER	3
19	YNFG12006	NUT FLANGE, 3/8 GF	4
20	67148	QUICK COUPLER	4
21	56563	CLAMP TOP PLATE	5
22	1021	LINE DOUBLE CLAMP BASE	5
23	TS118	LINE CLAMP BLOCK	5
24	56568	CLAMP BOLT	5
25	56569	CLAMP BOLT	14
26	56564	CLAMP TOP PLATE	14
27	56596	CLAMP CUSHION	14
28	GM71	HOSE DOUBLE CLAMP BASE	14
29	YPCT05010	COTTER PIN 5/32 X 1-1/2	10
30	58142	FITTING, 6 XHX7-S .031 ORIFICE	1
31	YBFB12150	BOLT FLANGE, 3/8 X 1-1/2 G5	4
32	TFM83	90 DEGREE ELBOW	3
33	89072	HYDRAULIC TUBE, 1/2 X 53	2
34	89070	HYDRAULIC TUBE, 1/2 X 120	2
35	CHM278	CLAMP HALF, 3/8 HOSE (SET OF 2)	7
36	56563	CLAMP TOP PLATE	7





FIGURE 12
SINGLE AXLE

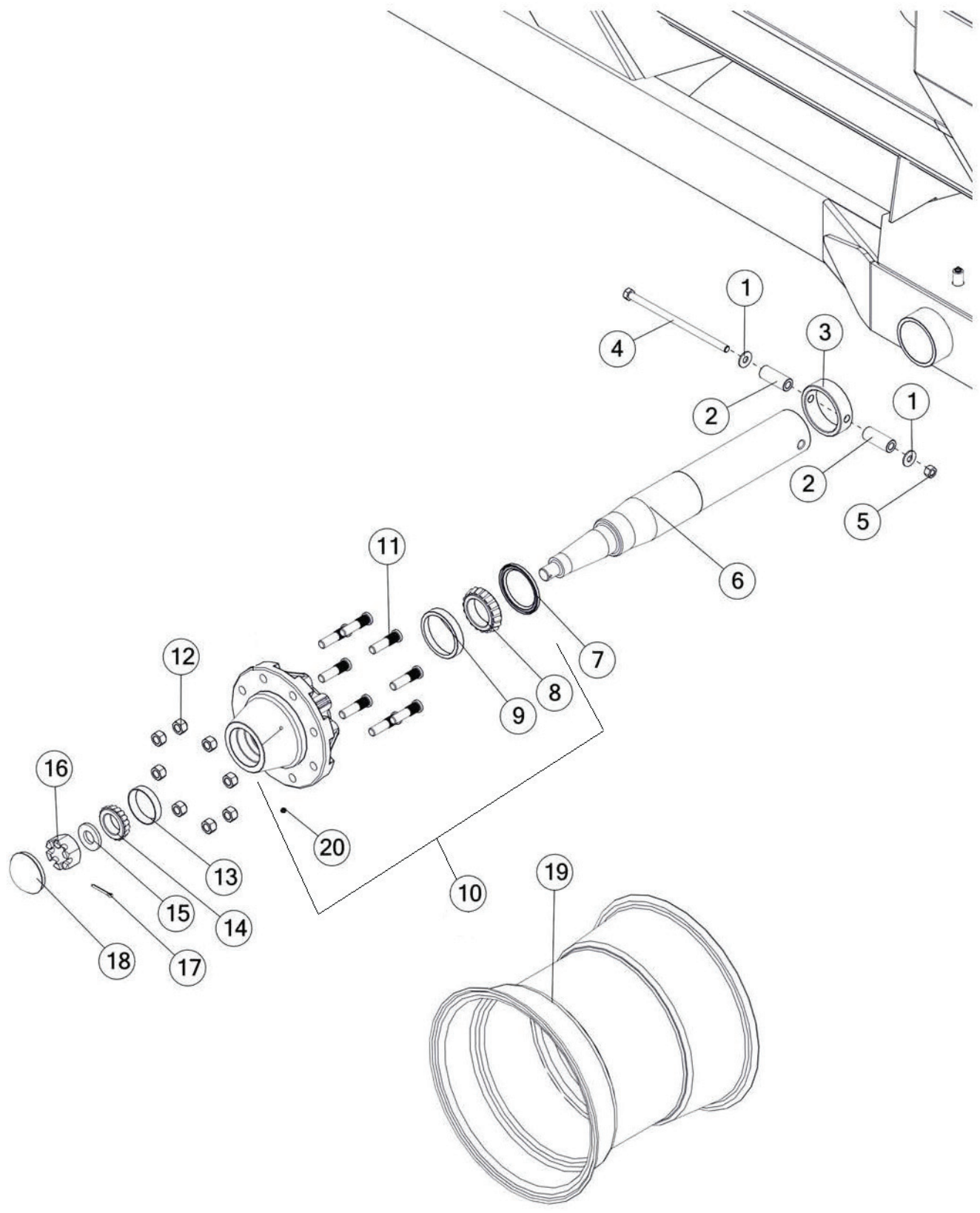




FIGURE 13
OPTIONAL TANDEM AXLES

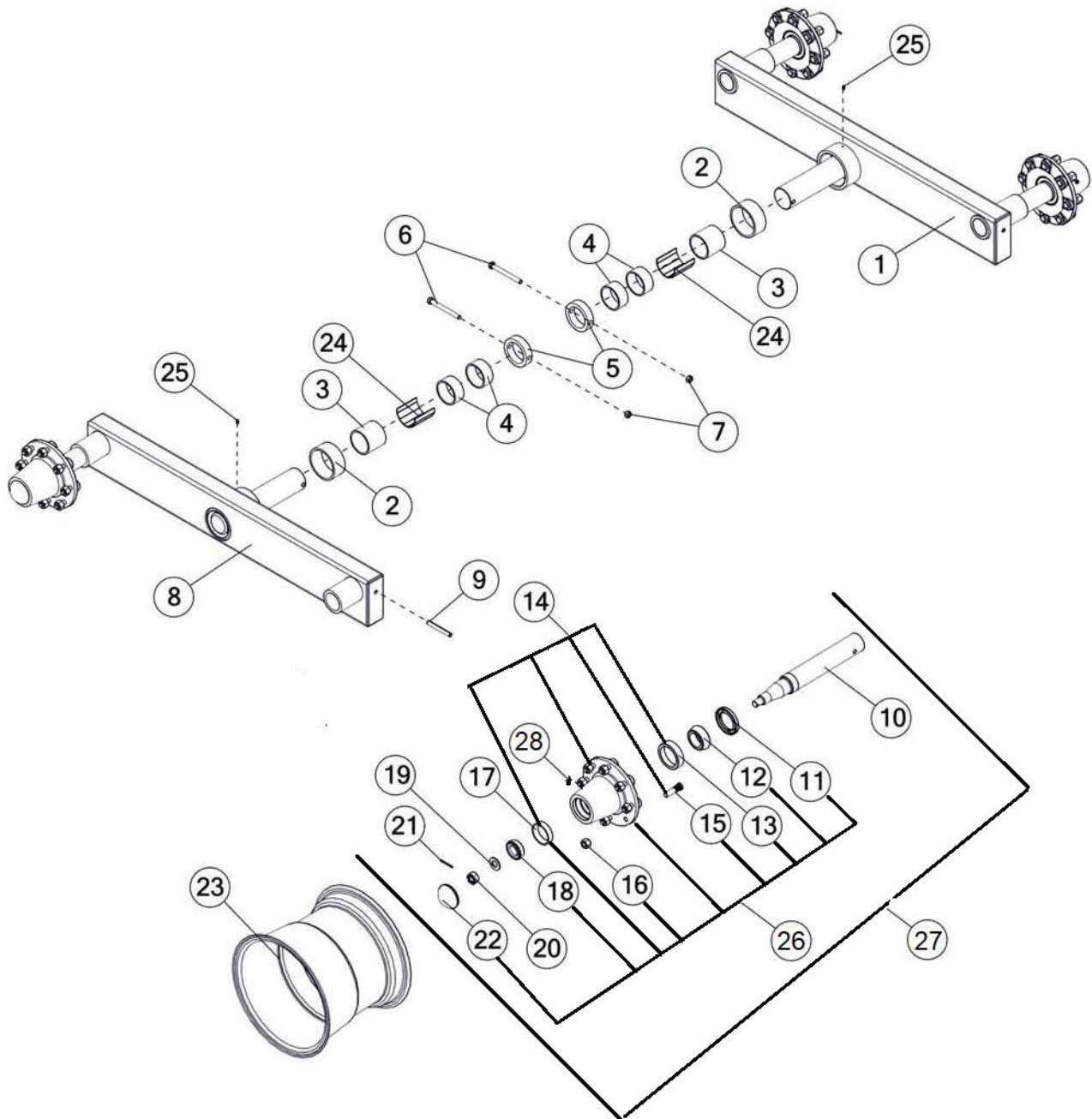




FIGURE 13

OPTIONAL TANDEM AXLES

REF #	PART #	DESCRIPTION	QTY
1	TS314	TANDEM MID LH	1
*	TS132	TANDEM BEAM LH	1
*	TS131	LEFT TANDEM DROP	1
2	70162	NYLATRON BUSHING	2
3	70150	NYLATRON BUSHING	2
4	70169	NYLATRON BUSHING	4
5	16SV78	COLLAR	2
6	YBHH16160	BOLT HEX, 1/2 X 5-1/2 G5	2
7	YNTL16005	NUT HEX, 1/2	2
8	TS315	RIGHT TANDEM MID	1
*	TS134	TANDEM BEAM RH	1
*	TS133	RIGHT TANDEM DROP	1
9	YPEX16020	EXPANSION PIN	4
10	16SV203	SPINDLE	4
11	B90	SEAL	4
12	B91	INNER BEARING	4
13	B91A	INNER RACE	4
14	53403	HUB SUBASSEMBLY	4
15	YBSD20010	BOLT STUD, 5/8 X 2-1/2	32
16	YNWL20005	WHEEL NUT, 5/8	32
17	B94A	OUTER RACE	4
18	B94	OUTER BEARING	4
19	YWFL28010	WASHER FLAT, 7/8 SAE	4
20	YNSL28005	NUT HEX SLOTTED, 7/8	4
21	YPCT05020	COTTER PIN, 5/32 X 1-3/4	4
22	B2	HUB CAP	4
23	23N179ASR	WHEEL, 8.25 X 22.5 8 BOLT SILVER	4
*	12V36SR	WHEEL, 14 X 16.1 8 BOLT SILVER	4
24	57806	TANDEM BUSHING SPACER	2
25	G89	ZERK, 1/4-28	2
26	26G4A	HUB ASSEMBLY	4
27	92424	HUB AND SPINDLE ASSEMBLY	4
28	BFR28	GREASE ZERK, 1/8 NPT	2





FIGURE 14
OPTIONAL OILER KIT

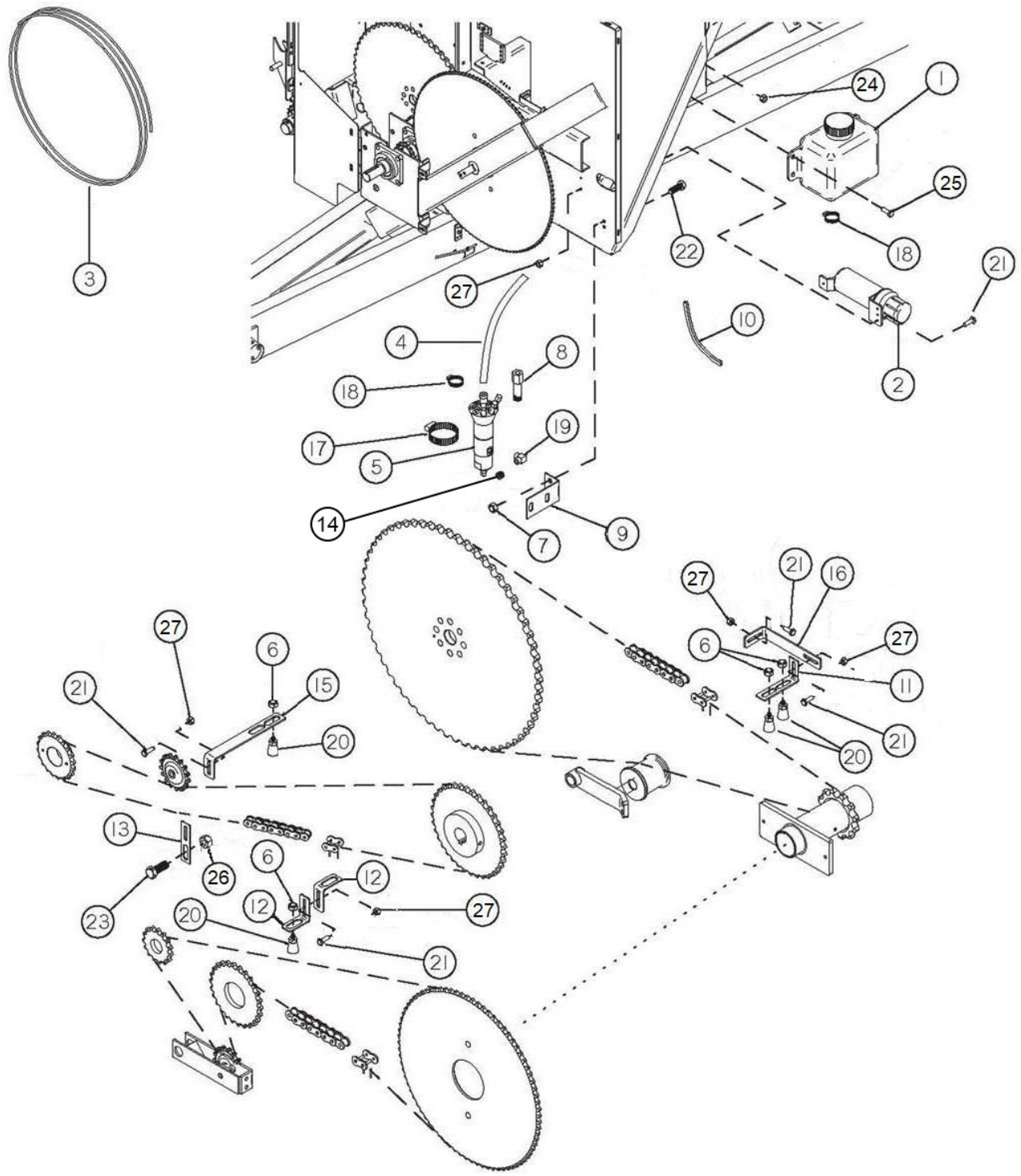




FIGURE 14

OPTIONAL OILER KIT

REF #	PART #	DESCRIPTION	QTY
1	HGV63	RESERVOIR	1
2	S522	MANUAL HOLDER	1
3	HGV71	OIL TUBE	1
4	HGV66	FILLER HOSE	1
5	HGV82	PUMP	1
6	YNHX16010	NUT, HEX, 1/2-20, NA, G2, ZC	4
7	YNFG12006	NUT FLANGE, 3/8 GF	2
8	HGV84	MANIFOLD ASSY	4
9	HGV68	BRACKET	1
10	HGV77	EDGING	1
11	HGV69	BRUSH BRACKET LONG	2
12	TS98	OILER BRUSH BRACKET SINGLE	2
13	HGV70	BRACKET MOUNT	1
14	TS198	ORIFICE	1
15	TS322	BRACKET	1
16	TS196	OILER HANGER	1
*	HGV62	COMPLETE OILER KIT	1
17	HGV74	HOSE CLAMP	1
18	HGV75	HOSE CLAMP	2
19	HGV65	O-RING/JIC ELBOW	1
20	HGV67	BRUSH	4
21	YBFB08075	BOLT FLANGE, 1/4 X 3/4 G5	11
22	YBFB12003	BOLT FLANGE, 3/8 X 1 G5 ZC	2
23	YBFB16125	BOLT FLANGE, 1/2 X 1-1/4 G5	1
24	YNFG10005	NUT FLANGE, 5/16 GF	4
25	YBFB10001	BOLT FLANGE, 5/16 X 1 G5	4
26	YNFG16003	NUT FLANGE, 1/2 GF	1
27	YNFG08010	NUT FLANGE , 1/4 GF	11



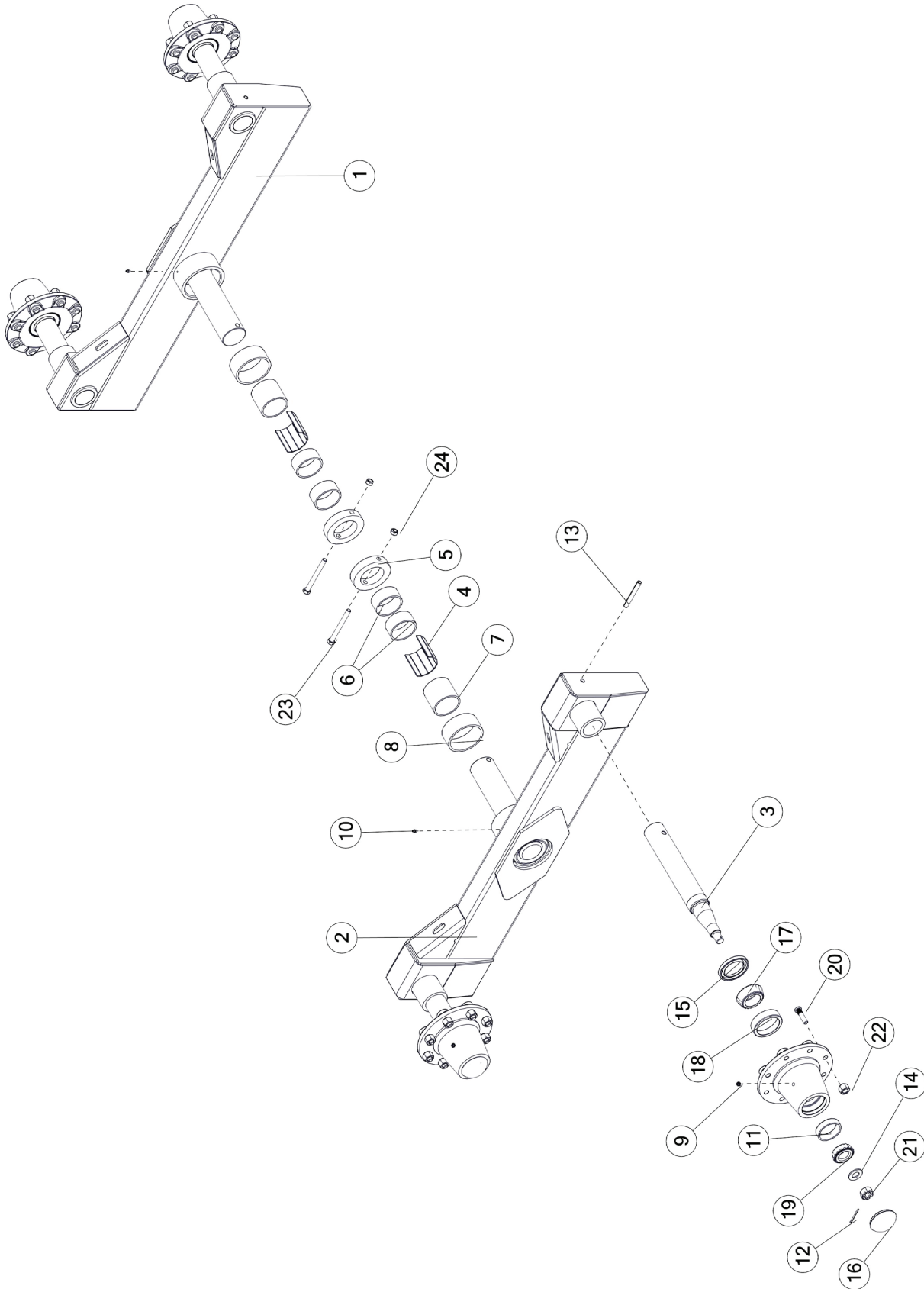




FIGURE 16
FRONT GREASE LINES

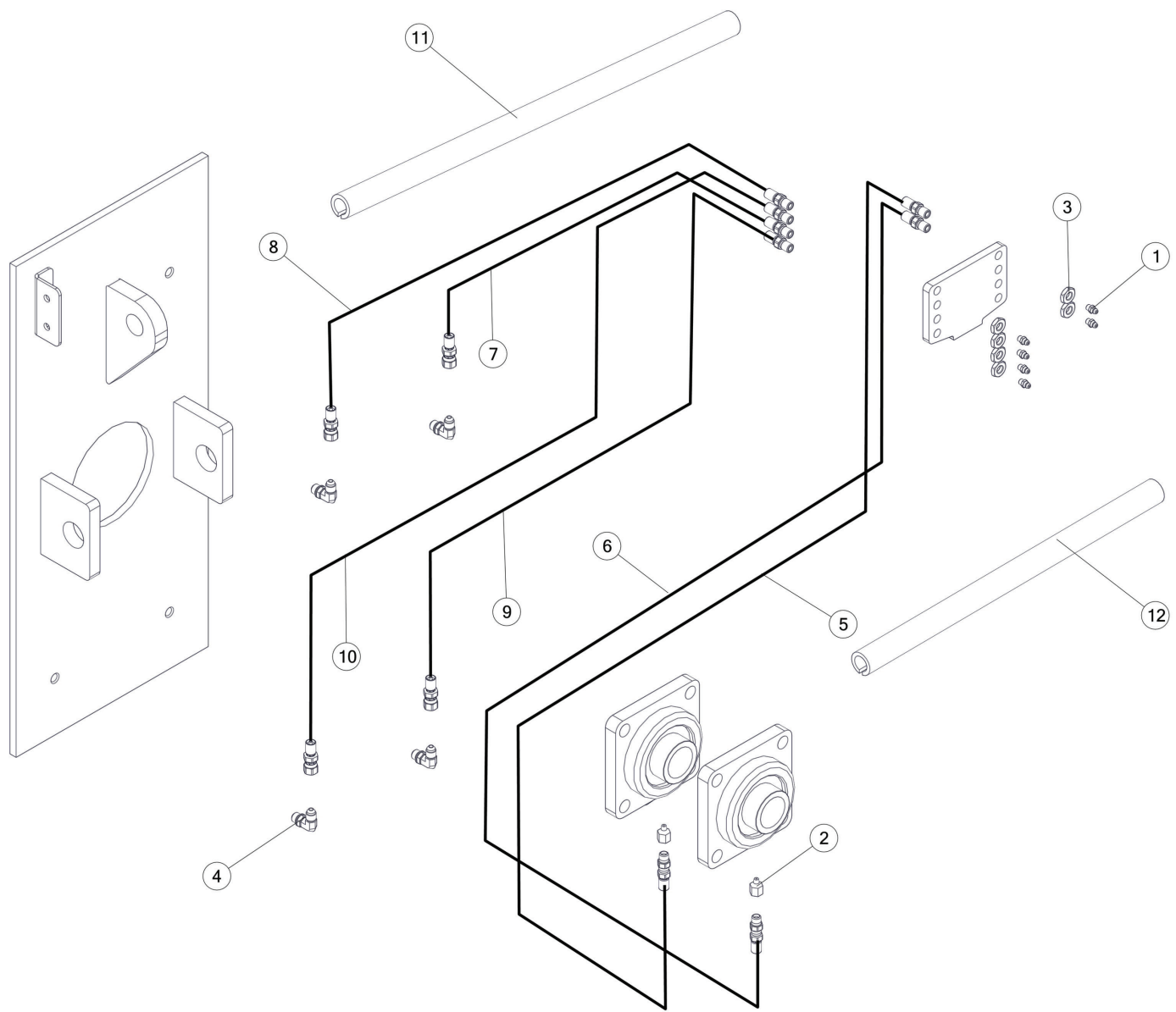




FIGURE 17 OPTIONAL LIGHTS

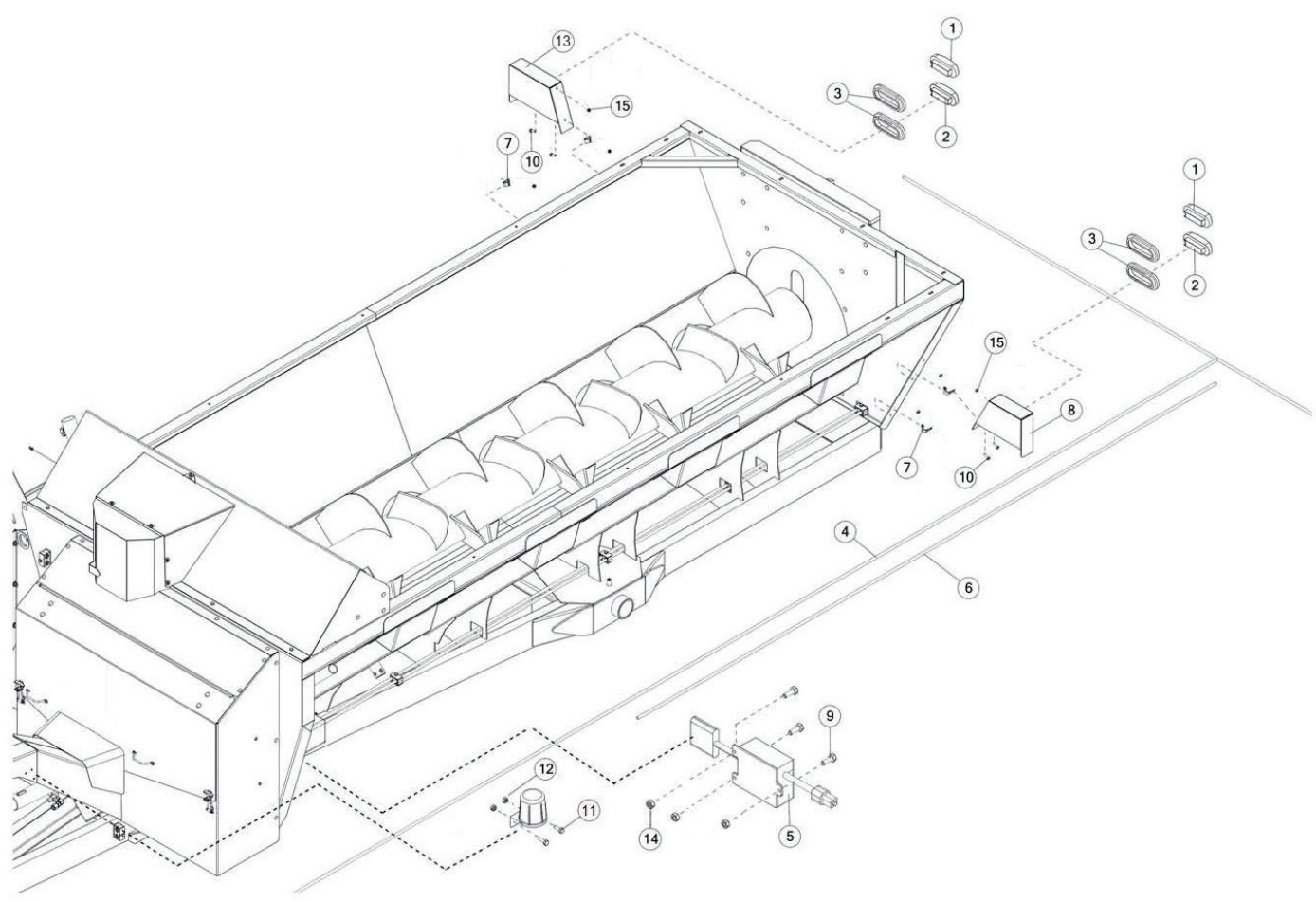
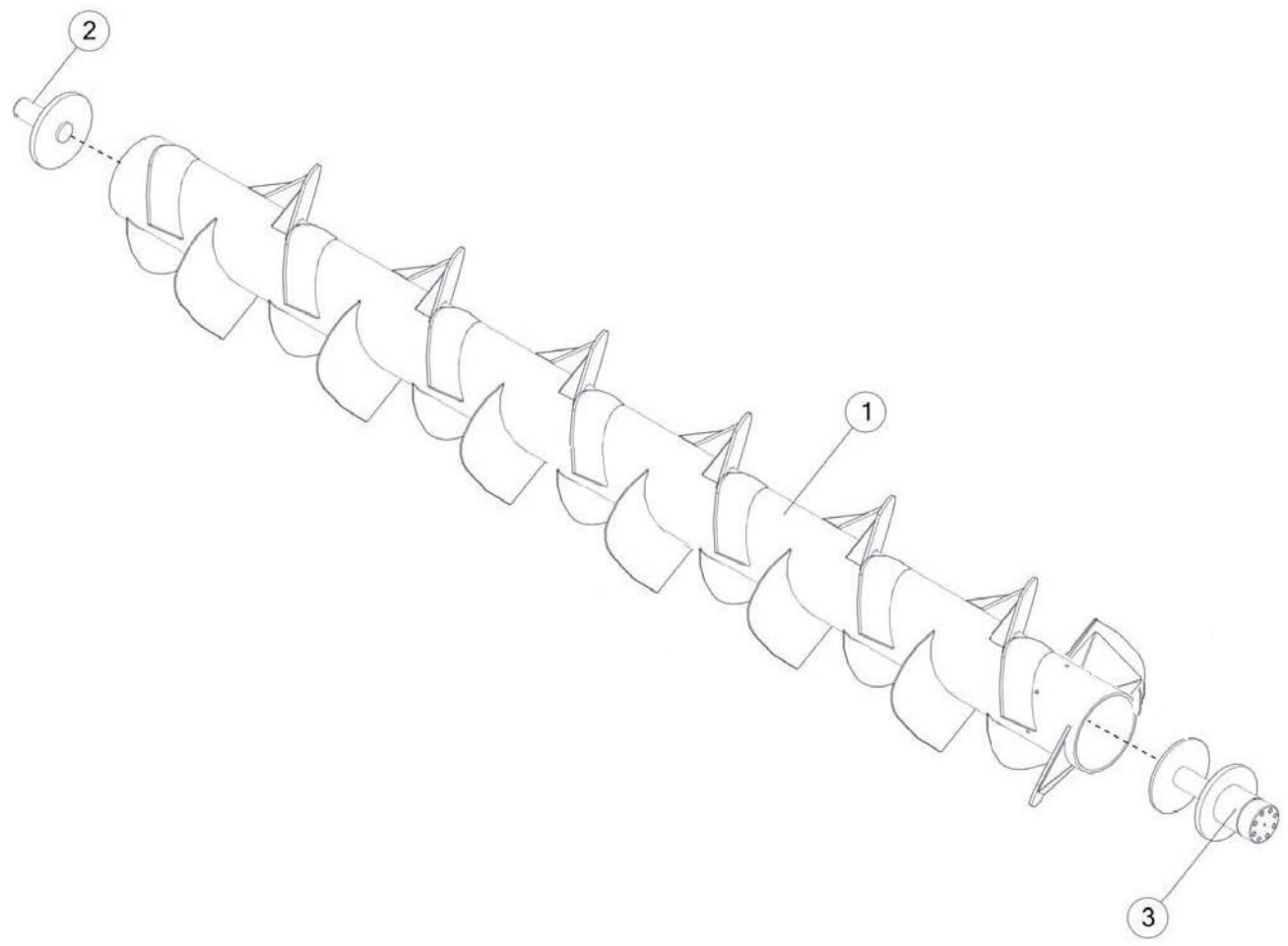
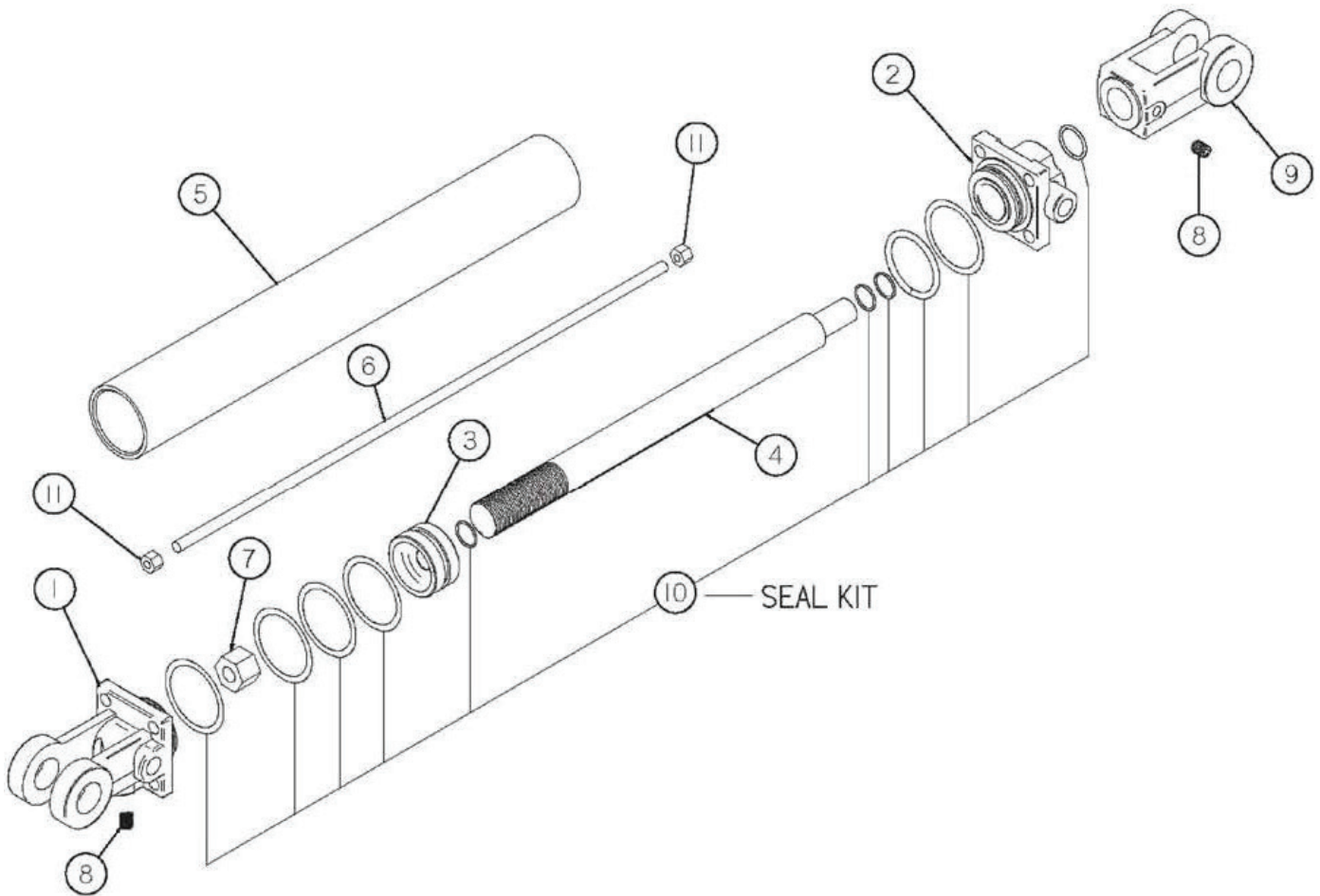




FIGURE 18
AUGER





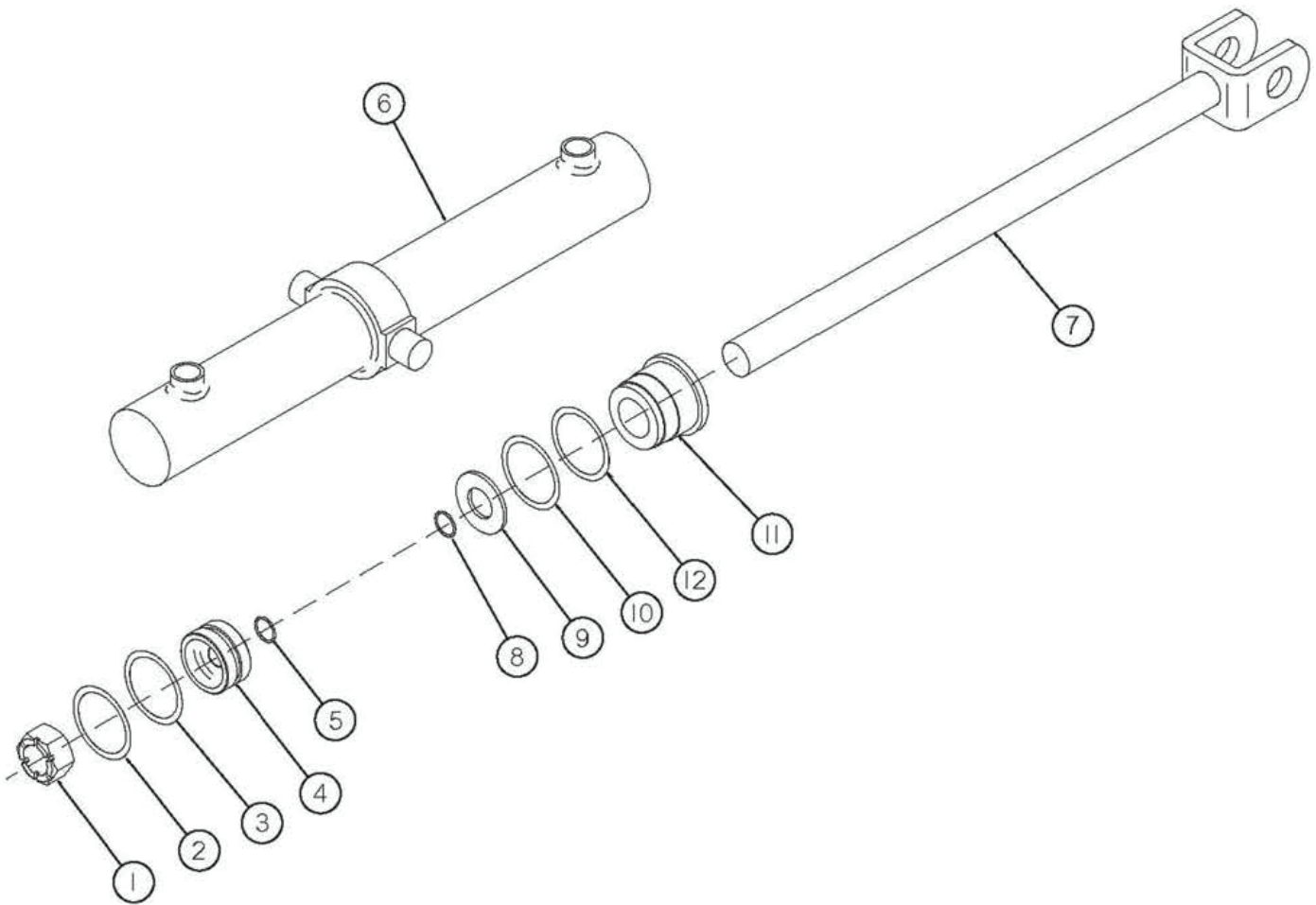




FIGURE 21

PTO (540 RPM)

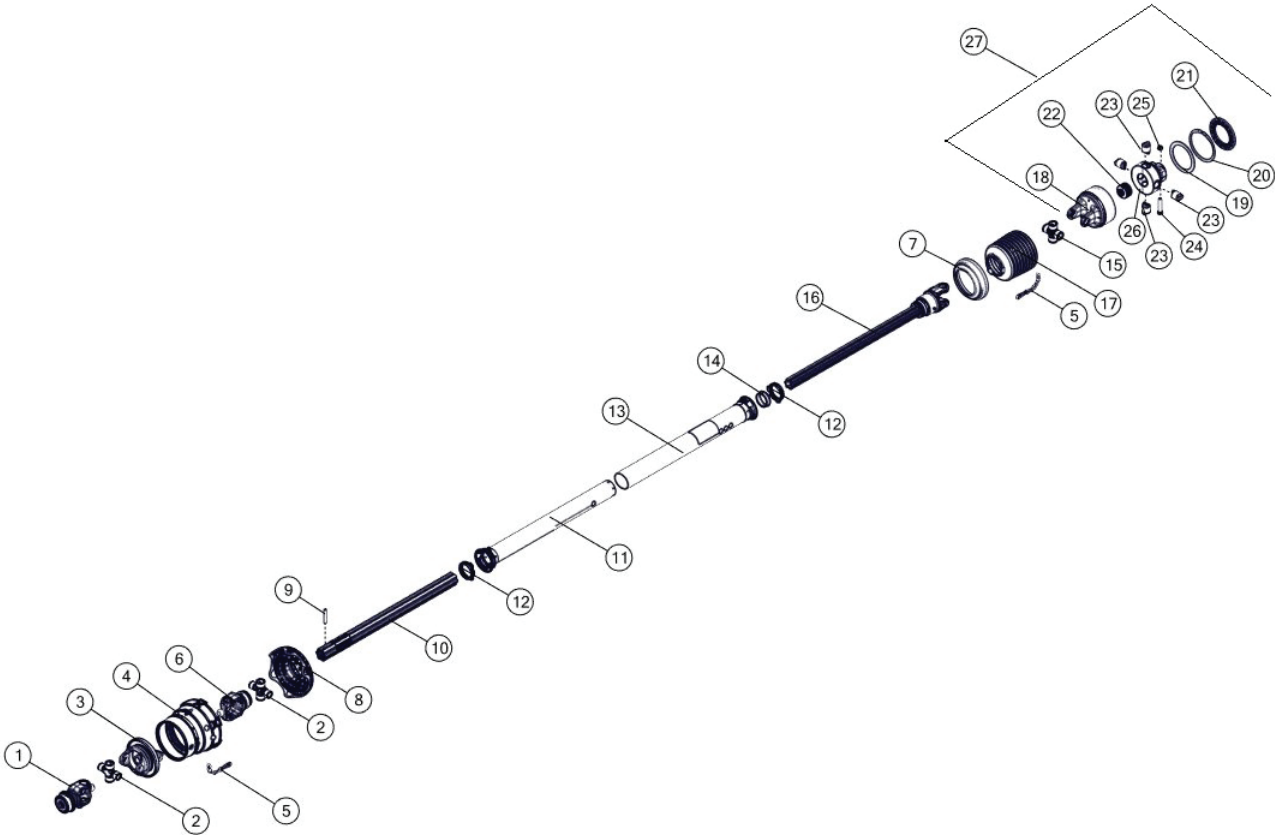




FIGURE 21

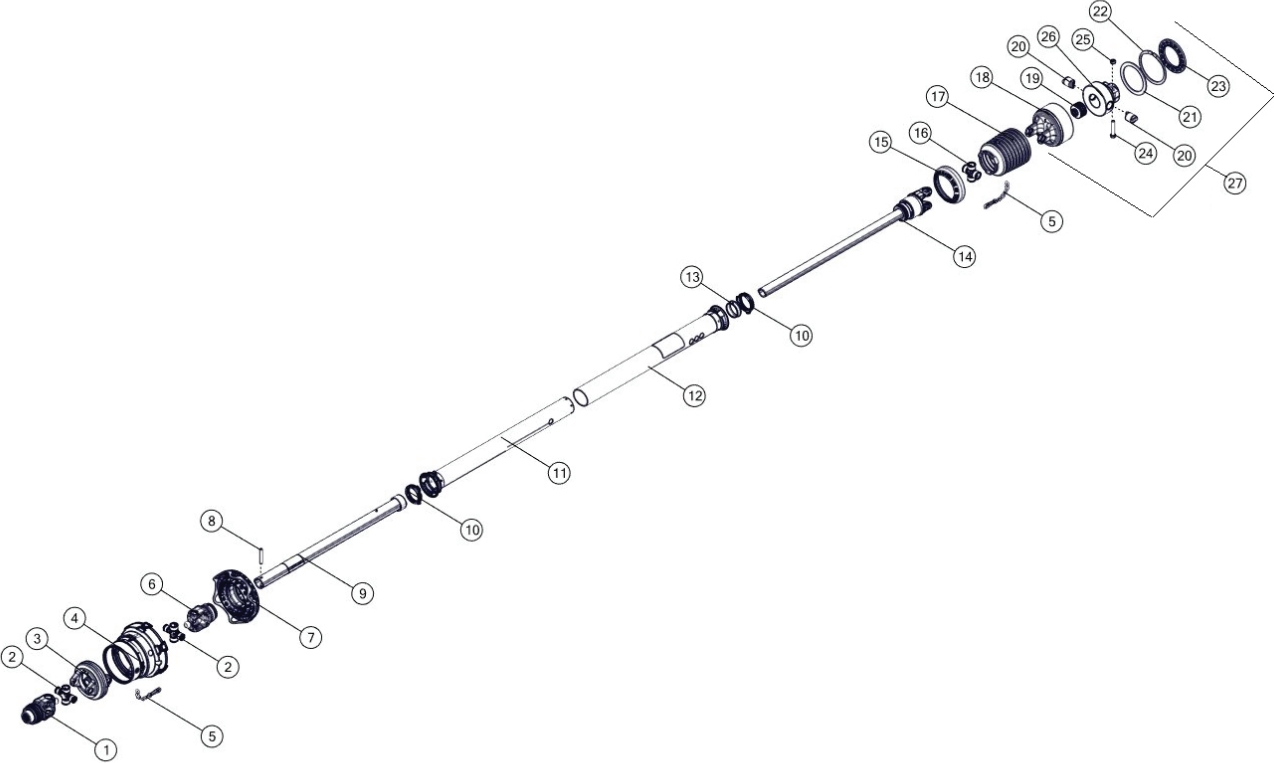
PTO (540 RPM)

REF #	PART #	DESCRIPTION	QTY
1	93244	YOKE ASSEMBLY	1
2	93245	U JOINT	2
3	93246	DOUBLE YOKE	1
4	92436	CV GUARD	1
5	87916	RESTRAINT CHAIN	2
6	93248	YOKE	1
7	92446	REINFORCING COLLAR	1
8	89776	NET GUARD	1
9	89773	SPRING PIN	1
10	93247	OUTER SHAFT	1
11	93249	INNER TUBE	1
12	87919	BEARING RING	2
13	93251	OUTER TUBE	1
14	92444	BEARING, SUPPORT	1
15	92630	U JOINT	1
16	93250	INNER SHAFT W/ OVERRUNNING CLUTCH	1
17	93252	GUARD CONE	1
18	93253	HOUSING	1
19	93234	WASHER	1
20	93235	RETAINING RING	1
21	93236	SEAL	1
22	93255	SPRING PACK	1
23	93233	CAM	4
24	YBHH16101	BOLT, 1/2 X 2-3/4 GR 8	1
25	YNTL16005	NUT, HEX, 1/2-13, LKTL, C, ZC	1
26	93254	HUB	1
27	93256	CUT-OUT CLUTCH	1
*	93220	COMPLETE PTO, 1-3/8 540 RPM	1
*	S402	ADMA SAFETY MANUAL	1





FIGURE 22
PTO (1000 RPM)





H&S MFG. CO.

products approved

for the

FEMA

SEAL OF QUALITY



Manufactured by:

H&S MANUFACTURING CO., INC.

2608 S. HUME AVE. MARSHFIELD, WI 54449

(715) 387-3414 | hsmfgco.com

