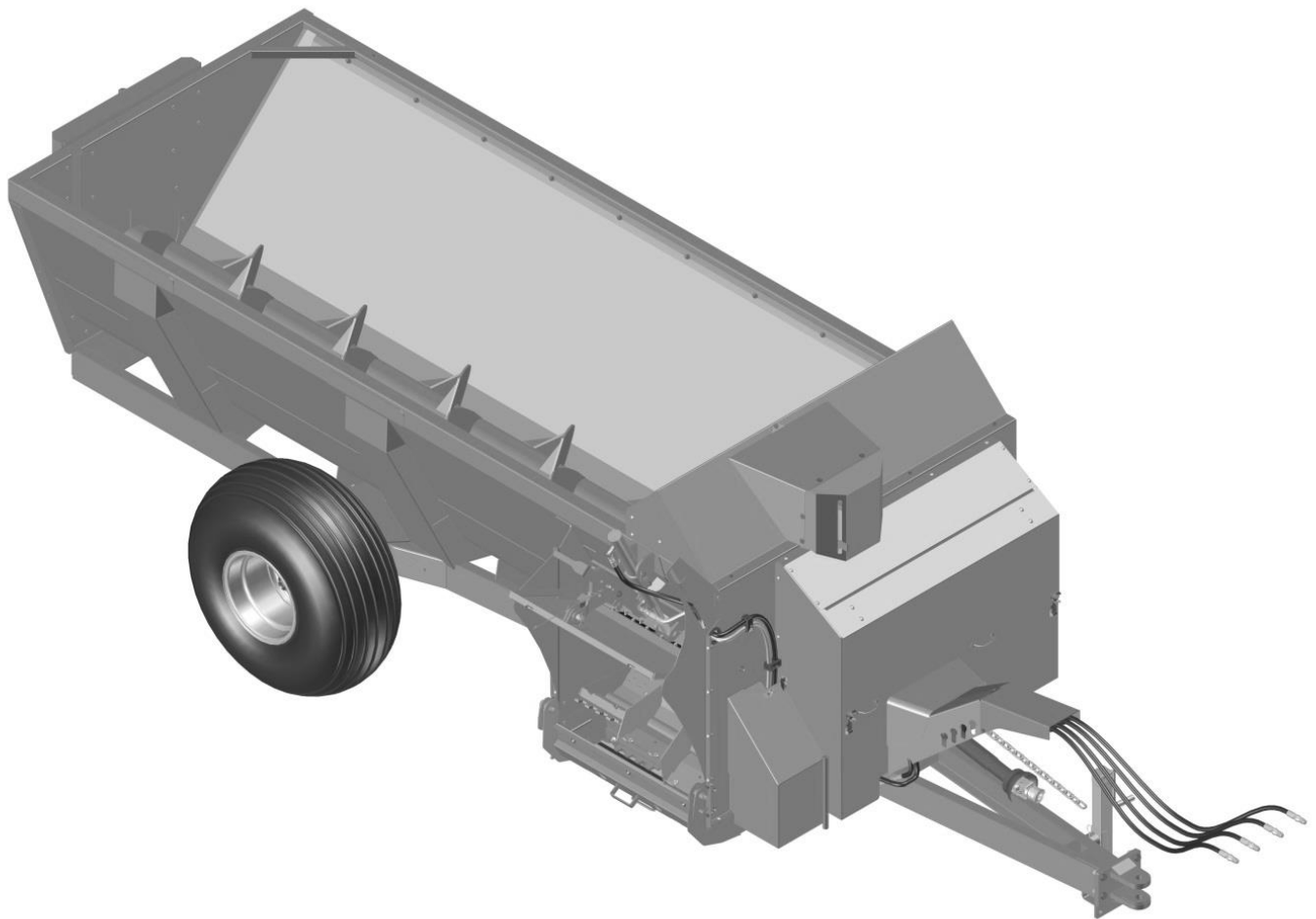


H&S PARTS BOOK

TS5215 SPREADER



Revision #00
Starting Ser.#610124

Part #72418
HSMF1215

P.O. BOX 768, MARSHFIELD, WI 54449
(715) 387-3414 FAX (715) 384-5463
www.hsmfgco.com

CONTENTS

Instructions for Ordering Parts - About Improvements.	1
Figure 1 - Auger/Liner/Slides/Hitch.	2-3
Figure 2 - Auger Drive.	4-7
Figure 3 - Expeller/Discharge Gate/ Bearings.	8-9
Figure 4 - Expeller/Discharge Gate/Door.	10-11
Figure 5 - Expeller/Discharge Gate/Pan.	12-13
Figure 6 - Input Shaft/Expeller Drive.	14-17
Figure 7 - Guards/Shields.	18-19
Figure 8 - Front Splash Guard.	20-21
Figure 9 - Rear Splash Guard/Rails - Optional.	22-23
Figure 10 - Rear Splash Guard - Optional.	24-25
Figure 11 - Hydraulics.	26-27
Figure 12 - Single Axle.	28-29
Figure 13 - Tandem Axles - Optional.	30-31
Figure 14 - Oiler Kit.	32-33
Figure 15 - Front Grease Lines.	34-35
Figure 16 - Lights - Optional.	36-37
Figure 17 - Auger.	38
Figure 18 - Auger Front/Rear Hydraulics Cylinder.	39
Figure 19 - Trunnion Mount Hydraulic Cylinder.	40
Figure 20 - PTO (540 Rpm)	41
Figure 21 - PTO (1000 Rpm)	42
Parts Notes	43

INSTRUCTIONS FOR ORDERING PARTS

All service parts should be ordered through your authorized H&S dealer. They will be able to give you faster service if you will provide them with the following

1. Model & Serial number is located on the main frame.
2. All reference to left or right apply to the *Top Shot* as viewed from the rear.
3. Parts should not be ordered from illustration only. Please order by complete part number.
4. If your dealer has to order parts - give shipping instructions:

VIA truck - large pieces (please specify local truck lines)

VIA United Parcel Service (include full address)

H&S MFG. CO. INC.	
MARSHFIELD, WIS.	
MOD. NO.	<input type="text"/>
SER. NO.	<input type="text"/>
DESCR.	<input type="text"/>

PLEASE RECORD NUMBERS FOR YOUR UNIT FOR QUICK REFERENCE

ABOUT IMPROVEMENTS

H&S IS CONTINUALLY STRIVING TO IMPROVE IT'S PRODUCTS

We must therefore, reserve the right to make improvements or changes whenever it becomes practical to do so without incurring any obligation to make changes or additions to the equipment previously sold.

FIGURE 1

AUGER/LINER/SLIDES/HITCH

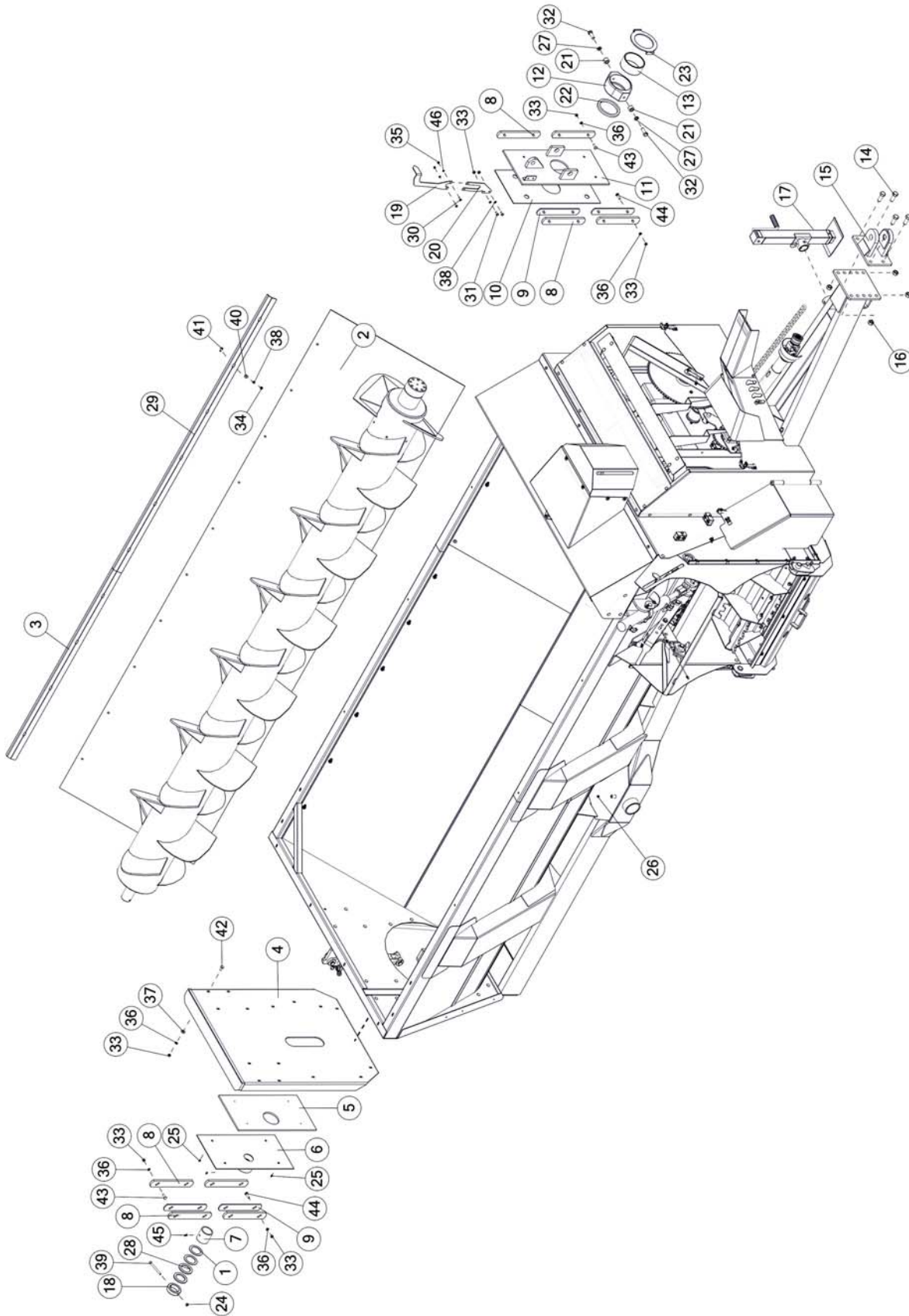


FIGURE 1

AUGER/LINER/SLIDES/HITCH

<u>ITEM</u>	<u>QTY</u>	<u>PART #</u>	<u>DESCRIPTION</u>
1	A/R	TS28	AUGER BACK COLLAR SHIM
2	1	57410	TUB SIDE POLY
3	1	57415	5215 SHORT HOLD DOWN
4	1	57220	5215 BACK PANEL
5	1	57243	BACK SLIDER
6	1	57233	5215 SLIDER POLY
7	1	TS9	PHENOLIC GRAPHITE 3" OD X 2.5 ID
8	8	TS10	SLIDER GUIDE
9	4	TS308	SLIDER GUIDE THIN
10	1	TS11	LINER/SLIDE FRONT
11	1	TS12	FRONT SLIDE PLATE
12	1	TS14	TRUNNION CASTING APX2-MS-01
13	1	TS15	BRONZE 954 BUSHING W/GROOVES
*	1	TS399	TRUNNION HOUSING ASSY.ITEM 12 & 13
14	4	YBHH24017	BOLT, 3/4-16 X 2 GR 8
15	1	59755	HITCH CLEVIS, 5115
16	4	YNL24010	HEX NUT, TOP LOCK, 3/4-16 GR 8
17	1	TS306	7000 LB SQUARE JACK 15" TRAVEL
18	1	TS19	AUGER BACK COLLAR
19	1	TS207	AUGER INDICATOR TOP
20	1	TS208	AUGER INDICATOR BOTTOM
21	2	TS330	TRUNNION PIVOT BUSHING
22	1	TS33	AUGER SPROCKET RUBBER GASKET
23	1	TS102	TRUNNION SPACER
24	1	YNL12005	HEX NUT, TOP LOCK, 3/8-16
25	4	G89	ZERK, 1/4"-28 STRAIGHT
26	2	BFR28	1/8" NPT GREASE ZERK
27	2	YWLO20005	WASHER, LOCK, 5/8
28	2	TS227	COUNTER SHAFT SHIM THICK
29	1	TS4	POLY TOP HOLD DOWN
30	2	YBHH08100	BOLT, 1/4" X 3/4" GR. 5
31	2	YBHH10105	BOLT, 5/16" X 3/4" GR. 5
32	2	YBHH20022	BOLT, 5/8" X 1-3/4" GR. 8
33	33	YNHX12005	HEX NUT, 3/8-16
34	20	YNHX10005	HEX NUT, 5/16 GR 2
35	2	YNHX08005	HEX NUT, 1/4
36	33	YWLO12005	WASHER, LOCK, 3/8
37	15	YWFL12005	WASHER, FLAT, 3/8 USS
38	20	YWLO10005	WASHER, LOCK, 5/16
39	1	YSHS12018	SOCKET HEAD CAP SCREW, 3/8" X 4"
40	20	YWFL10005	WASHER, FLAT, 5/16" USS
41	20	YBHH10010	BOLT, 5/16 X 1 GR 5
42	15	YBCR12010	CARR. BOLT, 3/8 X 1 GR. 5
43	4	YBCR12020	CARR. BOLT, 3/8 X 1-1/4 GR 5
44	12	YBCR12015	CARR. BOLT, 3/8 X 1-1/2 GR 5
45	2	RG51	ZERK, 90 DEGREE 1/4"-28
46	2	YWLO08005	WASHER, LOCK, 1/4

**NOTE: * MEANS NOT SHOWN
A/R: MEANS AS REQUIRED**

FIGURE 2

AUGER DRIVE

<u>ITEM</u>	<u>QTY</u>	<u>PART #</u>	<u>DESCRIPTION</u>
1	1	TS20	BUSHING/BRONZE
2	1	TS21	SPROCKET/ASSY 80T (540 RPM)
3	A/R	TS22	COUNTER SHAFT SHIM
4	1	TS23	COUNTER SHAFT ASSEMBLY (INCLUDES ITEM #5)
5	2	RG60	BRONZE BUSHING
6	1	TS25	ROLLER IDLER
7	1	TS26	AUGER CHAIN TENSIONER
8	1	BFR138	SPRING
9	7	S345	1" SPACER
10	1	3G21	SNAP RING
11	1	TS27	COUNTER SHAFT
12	A/R	T73	SPACER
13	2	TS29	SPROCKET/IDLER ASSY
14	1	TS30	IDLER ASSY
15	1	ST36	SPRING/EXTENSION
16	1	TS31	TENSIONER PIVOT TUBE
17	1	TS32	SPROCKET #100x60T ASSY
18	1	TS328	REDUCTION LARGE SPACER
19	1	HGV162	1/2" RUBBER WIRE HOLDER
20	2	TS34	HARDENED SHEAR BUSHING
21	1	57544	CHAIN/ROLLER #60HE X 138 (540 RPM - 18T & 15T SPROCKETS)
*	1	57890	CHAIN/ROLLER #60HE X 136 (540 RPM - 13T SPROCKET)
*	1	57891	CHAIN/ROLLER #60HE X 140 (540 RPM - 20T SPROCKET)
*	1	57892	CHAIN/ROLLER #60HE X 166 (1000 RPM - 15T SPROCKET)
*	1	57893	CHAIN/ROLLER #60HE X 165 (1000 RPM - 13T SPROCKET)
*	1	57894	CHAIN/ROLLER #60HE X 167 (1000 RPM - 16T SPROCKET)
22	1	57887	LINK/CONNECTOR #60HE
23	1	57547	CHAIN/ROLLER #100HE X 75
24	1	57886	LINK/CONNECTOR #100HE
25	1	TS396	IDLER FRONT SPACER

NOTE: * MEANS NOT SHOWN
A/R: MEANS AS REQUIRED

FIGURE 2

AUGER DRIVE

<u>ITEM</u>	<u>QTY</u>	<u>PART#</u>	<u>DESCRIPTION</u>
26	1	TS397	IDLER REAR SPACER
27	1	G89	GREASE ZERK
28	2	BFR28	1/8" NPT GREASE ZERK #1610
29	1	RG51	1/4"-28 90° GREASE ZERK #1911
30	A/R	56N183	SPACER
31	A/R	16SV49	SPACER
32	1	YPCT06005	COTTER PIN, 3/16" X 1-1/2"
33	2	YBHH10036	BOLT, 5/16" X 1-1/2" GR. 8 YELLOW ZINC
*	4	YBHH10036	BOLT, 5/16" X 1-1/2" GR. 8 YELLOW ZINC
34	1	YBHH12100	BOLT, 3/8" X 2-1/4" GR. 5
35	1	YBHH16175	BOLT, 1/2" X 6-1/2" GR. 5
36	8	YBHH20036	BOLT, 5/8" X 2-1/2" GR. 8 YELLOW ZINC
37	1	YBHH20025	BOLT, 5/8" X 2" GR. 5
38	1	YBHH20100	BOLT, 5/8" X 6" GR. 5
39	2	YBTE12025	TURNED EYE BOLT, 3/8" X 3" FULL THREAD
40	5	YWFL12005	WASHER, FLAT, 3/8" USS
41	1	YWFL16005	WASHER, FLAT, 1/2" USS
42	A/R	YWFL20005	WASHER, FLAT, 5/8" USS
43	1	YWLO12005	WASHER, LOCK, 3/8"
44	9	YWLO20005	WASHER, LOCK, 5/8"
45	3	YNHX12005	HEX NUT, 3/8"-16
46	2	YNNY12005	HEX NUT, NYLON LOCKNUT, 3/8"
47	2	YNTL10005	HEX NUT, TOP LOCK, 5/16"-18
48	1	YNTL12005	HEX NUT, TOP LOCK, 3/8"-16
49	1	YNTJ16005	HEX NUT, TOP LOCK, JAM, 1/2"-13

NOTE: * MEANS NOT SHOWN
A/R: MEANS AS REQUIRED

FIGURE 3

EXPELLER/DISCHARGE GATE/BEARINGS

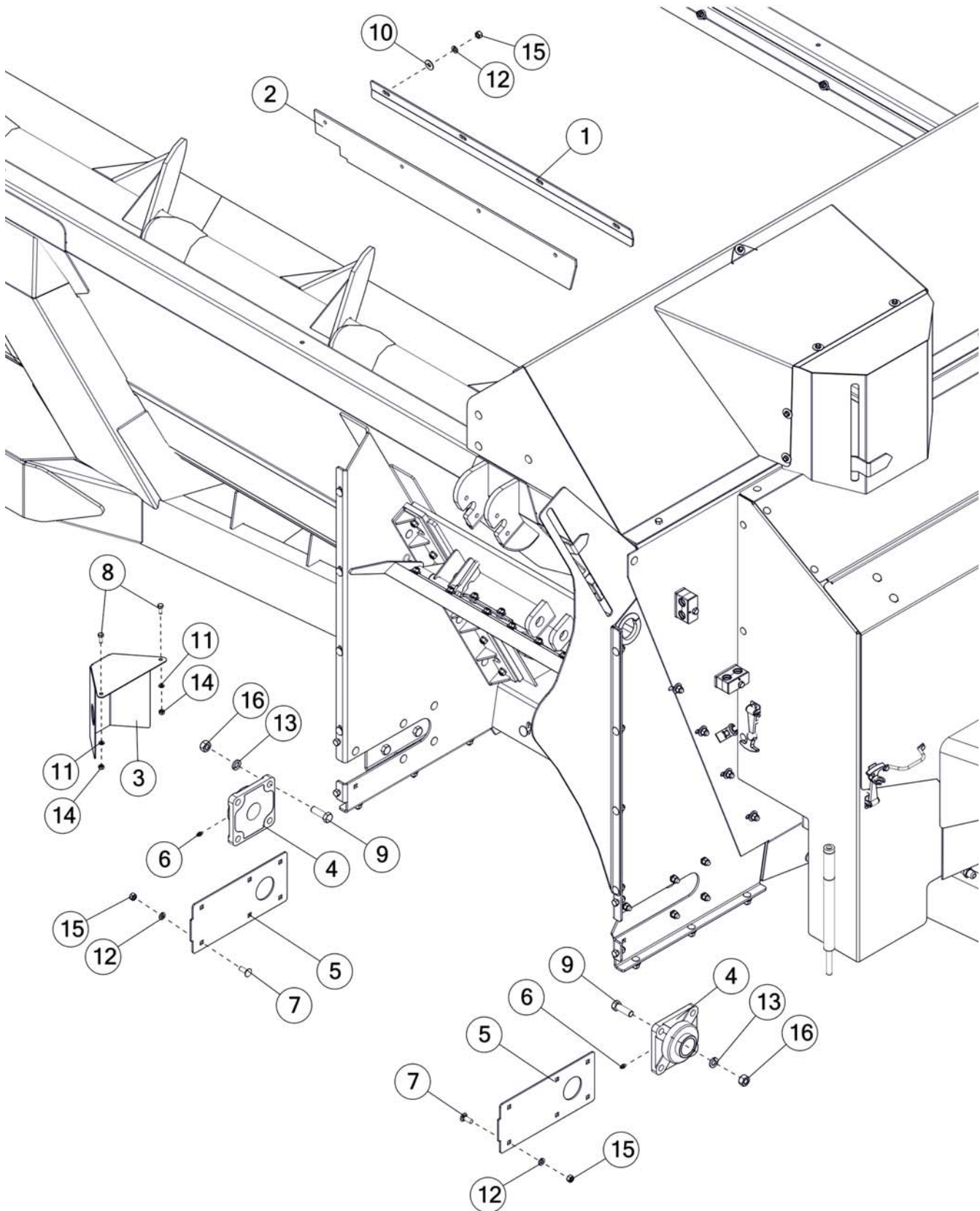


FIGURE 3

EXPELLER/DISCHARGE GATE/BEARINGS

<u>ITEM</u>	<u>QTY</u>	<u>PART #</u>	<u>DESCRIPTION</u>
1	1	57507	DOOR SEAL CLAMP
2	1	57506	EXPELLER DOOR TOP SEAL
3	1	TS45	EXPELLER BEARING SHIELD
4	2	HGV41	EXPELLER BEARING
5	2	TS47	COVER PLATE
6	2	G89	GREASE ZERK
7	12	YBCR12010	CARR. BOLT, 3/8" X 1" GR. 5
8	2	YBHH08100	BOLT, 1/4" X 3/4" GR. 5
9	8	YBHH18010	BOLT, 9/16" X 1-3/4" GR. 5
10	4	YWFL12005	WASHER, FLAT, 3/8" USS
11	2	YWLO08005	WASHER, LOCK, 1/4"
12	16	YWLO12005	WASHER, LOCK, 3/8"
13	8	YWLO18005	WASHER, LOCK, 9/16"
14	2	YNHX08005	HEX NUT, 1/4"-20
15	16	YNHX12005	HEX NUT, 3/8"-16
16	8	YNHX18005	HEX NUT, 9/16"-12

FIGURE 4

EXPELLER/DISCHARGE GATE/DOOR

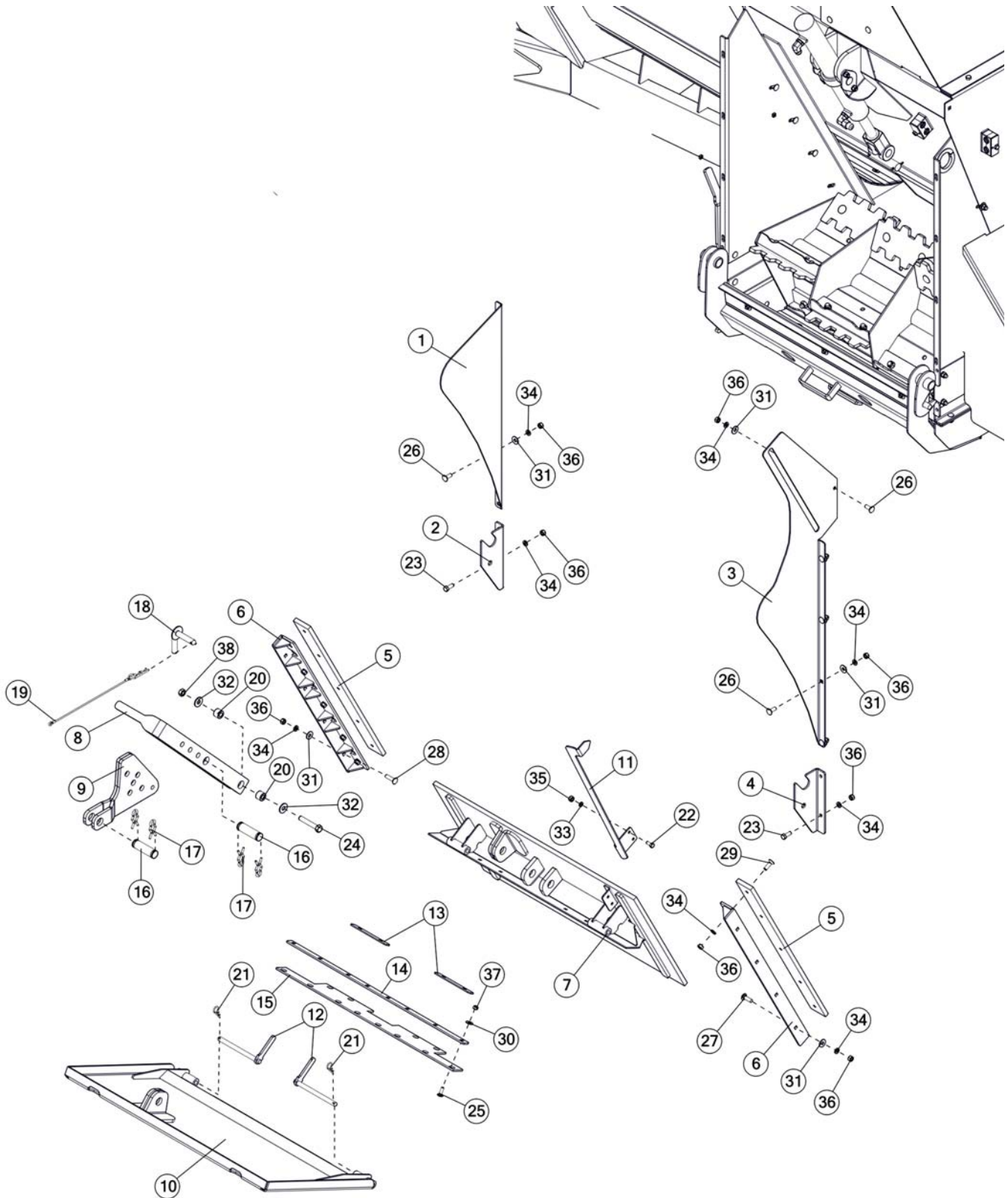


FIGURE 4

EXPPELLER/DISCHARGE GATE/DOOR

<u>ITEM</u>	<u>QTY</u>	<u>PART #</u>	<u>DESCRIPTION</u>
1	1	TS48	EXPPELLER PANEL EXTENSION LEFT HAND
2	1	TS49	PAN HINGE BRACKET LEFT
3	1	57257	EXPPELLER SPOUT RH
4	1	TS51	PAN HINGE BRACKET RIGHT
5	2	TS52	DOOR SLIDER POLY
6	2	TS53	EXPPELLER DOOR GUIDE
7	1	57206	EXPPELLER DOOR
8	1	TS55	DEFLECTOR ADJUSTMENT HANDLE
9	1	TS56	DEFLECTOR ADJUSTMENT LINK
10	1	57211	DEFLECTOR
11	1	TS58	DOOR INDICATOR
12	2	TS59	DEFLECTOR SIDE PIN
13	2	TS65	SEAL STRAP MID
14	1	57874	DEFLECTOR SEAL STRAP
15	1	57870	DEFLECTOR SEAL
16	2	T143	CYLINDER PIN
17	4	T144	CLIP PIN
18	1	TS69	DEFLECTOR HANDLE PIN
19	1	57616	LANYARD, 9/64" X 2-11/16" HAIR PIN
20	2	TS307	HANDLE PIVOT
21	2	YPHR02005	HAIR PIN, #21-05 (1-7/8" LONG, 3/8-7/16" SHAFT)
22	2	YBHH10105	BOLT, 5/16" X 3/4" GR. 5
23	4	YBHH12010	BOLT, 3/8" X 1" GR. 5
24	1	YBHH16105	BOLT, 1/2" X 3" GR. 5
25	12	YBCR10010	CARR. BOLT, 5/16" X 1" GR. 5
26	9	YBCR12010	CARR. BOLT, 3/8" X 1" GR. 5
27	7	YBCR12020	CARR. BOLT, 3/8" X 1-1/4" GR. 5
28	1	YBCR12015	CARR. BOLT, 3/8" X 1-1/2" GR. 5
29	10	YSFS12005	FLAT HEAD SOCKET CAP SCREW, 3/8" X 1-1/4"
30	12	YWFL10005	WASHER, FLAT, 5/16" USS
31	17	YWFL12005	WASHER, FLAT, 3/8" USS
32	2	YWFL16005	WASHER, FLAT, 1/2" USS
33	2	YWLO10005	WASHER, LOCK, 5/16"
34	31	YWLO12005	WASHER, LOCK, 3/8"
35	2	YNHX10005	HEX NUT, 5/16"
36	31	YNHX12005	HEX NUT, 3/8"-16
37	12	YNTL10005	HEX NUT, TOP LOCK, 5/16"-18
38	1	YNTL16005	HEX NUT, TOP LOCK, 1/2"-13

FIGURE 5

EXPELLER/DISCHARGE GATE/PAN

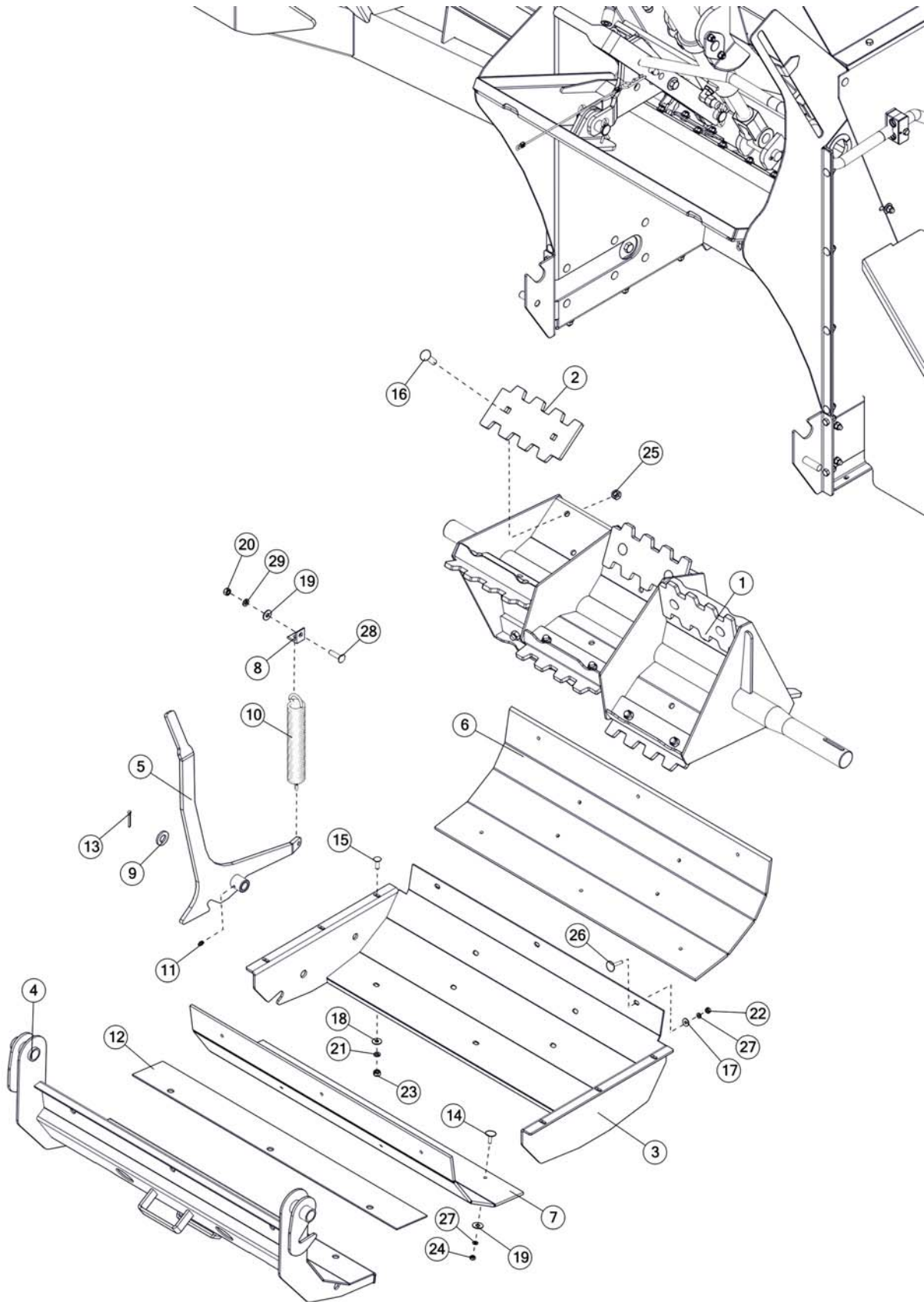


FIGURE 5

EXPELLER/DISCHARGE GATE/PAN

<u>ITEM</u>	<u>QTY</u>	<u>PART #</u>	<u>DESCRIPTION</u>
1	1	69615	EXPELLER
2	9	TS68	EXPELLER PADDLE
3	1	57031	SWING AWAY PAN FRAME
4	1	57028	SWING AWAY PAN
5	1	TS74	PAN LATCH HANDLE
6	1	57038	EXPELLER BACK POLY
7	1	57030	EXPELLER PAN POLY
8	1	F92	SHIELD ANGLE
9	A/R	T73	SPACER
10	1	K103	SPRING
11	1	G89	GREASE ZERK
12	1	57876	PAN RUBBER SEAL
13	1	YPCT06010	COTTER PIN, 3/16" X 1-1/4"
14	20	YBEV08010	BOLT, ELEVATOR, 1/4"-20 X 1"
15	6	YBCR10010	CARR. BOLT, 5/16" X 1" GR. 5
16	18	YBCR16019	SHAKER SCREEN BOLT, 1/2" X 1-3/4" GR. 8
17	21	YWFL08005	WASHER, FLAT, 1/4" USS
18	6	YWFL10005	WASHER, FLAT, 5/16" USS
19	11	YWFL12005	WASHER, FLAT, 3/8" USS
20	1	YNHX12005	WASHER, LOCK, 1/4"
21	6	YWLO10005	WASHER, LOCK, 5/16"
22	10	YNHX08005	HEX NUT, 1/4"
23	6	YNHX10005	HEX NUT, 5/16"
24	10	YNRL08005	HEX NUT, REVERSIBLE-SIDE LOCK, 1/4"-20
25	18	YNTL16006	HEX NUT, TOP LOCK, 1/2"-13
26	10	YBEV08015	BOLT, ELEVATOR, 1/4" - 20 X 1-1/2" ZINC
27	21	YWLO08005	WASHER, LOCK, 1/4"
28	1	YBCR12015	CARR. BOLT, 3/8" X 1-1/2" GR. 5
29	1	YWLO12005	WASHER, LOCK, 3/8"

NOTE: A/R: MEANS AS REQUIRED

FIGURE 6

INPUT SHAFT/EXPELLER DRIVE

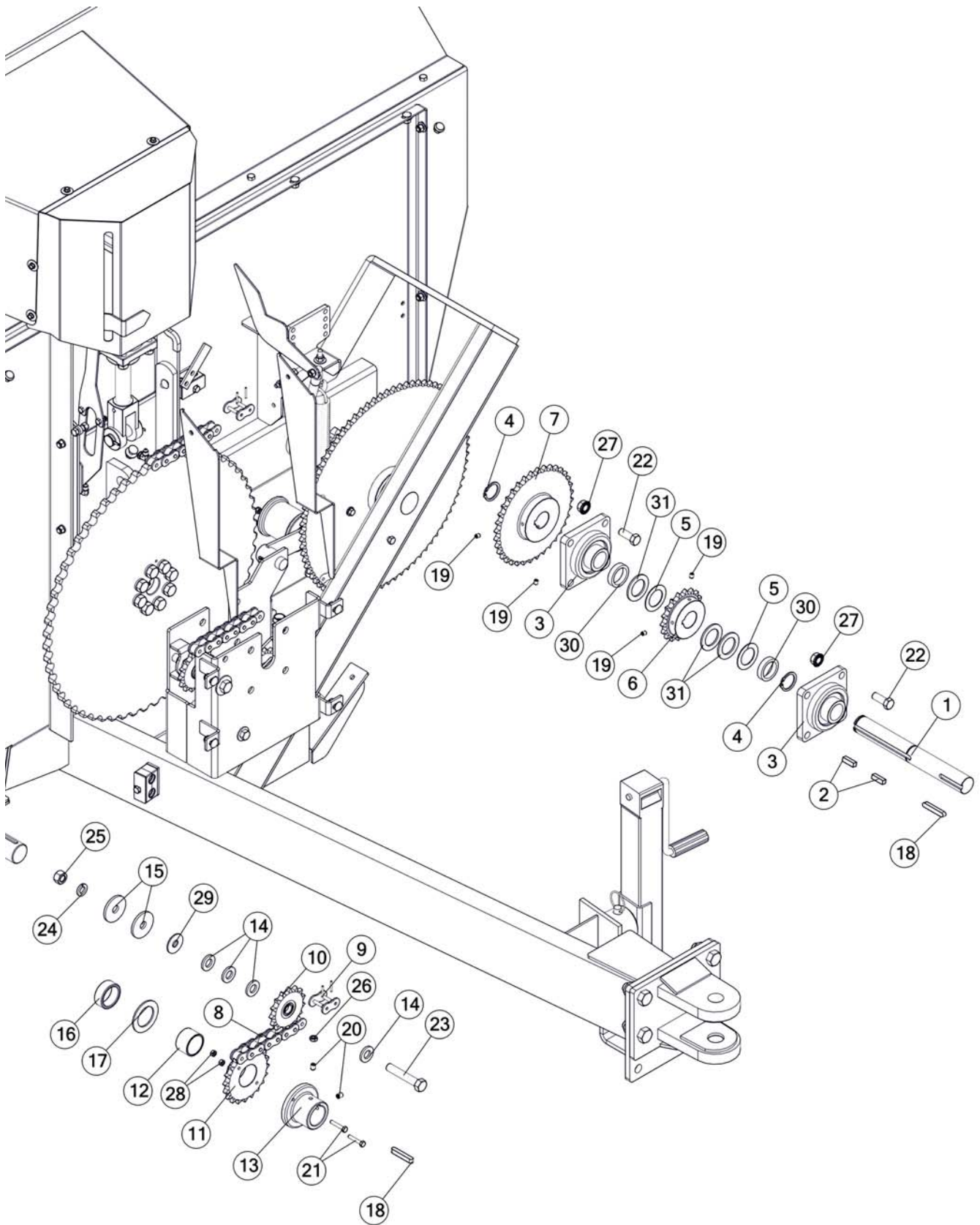


FIGURE 6

INPUT SHAFT/EXPELLER DRIVE

<u>ITEM</u>	<u>QTY</u>	<u>PART #</u>	<u>DESCRIPTION</u>
1	1	57392	INPUT SHAFT - INTERFERENCE FIT
2	2	68856	KEY, SQUARE, 3/8 X 1-1/4"
3	2	12V99	BEARING
4	2	12V62	SNAP RING
5	A/R	16SV374	SPACER
6	1	TS35	SPROCKET/60B18 (STANDARD-540 RPM, FACTORY)
*	1	TS36	SPROCKET/ASSY 13T (OPTIONAL-540 RPM, FIELD)
*	1	TS37	SPROCKET/60B15T (OPTIONAL-540 RPM)(STANDARD-1000 RPM, FACTORY)
*	1	TS38	SPROCKET/60B20 (OPTIONAL - 540 RPM, FIELD)
*	1	TS364	SPROCKET/60B16 (OPTIONAL - 1000 RPM, FIELD)
7	1	TS79	SPROCKET/60B36 (STANDARD - 540 RPM, FACTORY)
*	1	TS80	SPROCKET/EXP DRIVE ASSY 30T (OPTIONAL - 540 RPM, FIELD)
*	1	TS81	SPROCKET/60X27T (OPTIONAL - 540 RPM, FIELD)
*	1	TS38	SPROCKET/60B20 (OPTIONAL - 1000 RPM, FIELD)
*	1	TS318	SPROCKET/ASSY 16T (OPTIONAL - 1000 RPM, FIELD)
*	1	TS37	SPROCKET/ASSY 15T (OPTIONAL - 1000 RPM, FIELD)
*	1	TS36	SPROCKET/ASSY 13T (OPTIONAL - 540 & 1000 RPM, FIELD)
8	1	57555	CHAIN/ROLLER #60HE X 100 (540 RPM - 36T SPROCKET, FACTORY)
*	1	57895	CHAIN/ROLLER #60HE X 97 (540 RPM - 30T SPROCKET, FIELD)
*	1	57896	CHAIN/ROLLER #60HE X 96 (540 RPM - 27T SPROCKET, FIELD)
*	1	57897	CHAIN/ROLLER #60HE X 92 (1000 RPM - 20T SPROCKET, FACTORY)
*	1	57898	CHAIN/ROLLER #60HE X 90 (1000 RPM - 16T SPROCKET, FIELD)
*	1	57899	CHAIN/ROLLER #60HE X 89 (1000 RPM - 15T SPROCKET, FIELD)
*	1	57900	CHAIN/ROLLER #60HE X 88 (1000 RPM - 13T SPROCKET, FIELD)

NOTE: * MEANS NOT SHOWN

A/R: AS REQUIRED

(FACTORY) MEANS PUT ON AT FACTORY

(FIELD) ORDERED FROM DEALER

FIGURE 6

INPUT SHAFT/EXPELLER DRIVE

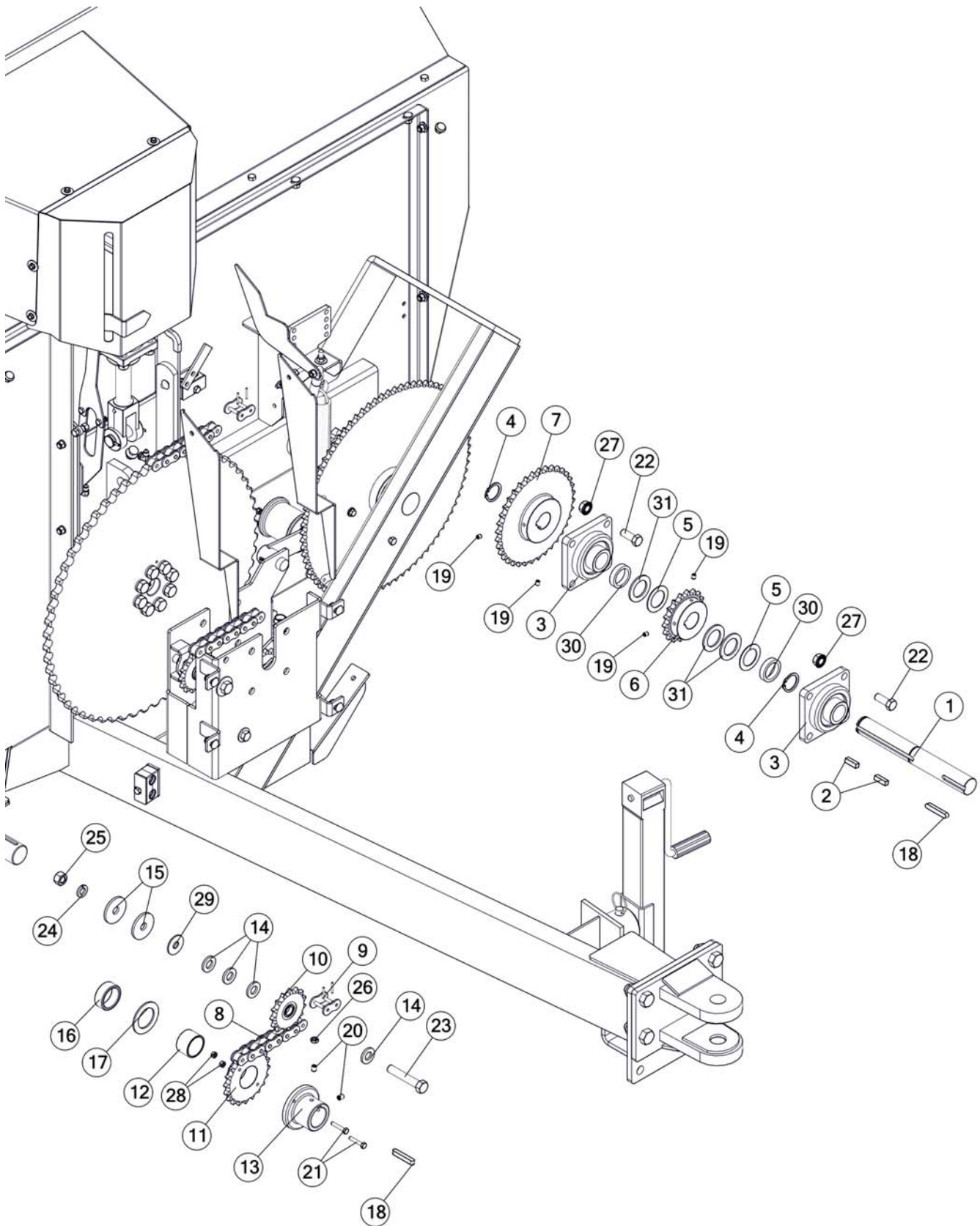


FIGURE 6

INPUT SHAFT/EXPELLER DRIVE

<u>ITEM</u>	<u>QTY</u>	<u>PART#</u>	<u>DESCRIPTION</u>
9	1	57887	LINK/CONNECTOR #60HE
10	1	TS29	60BB15H IDLER
11	1	TS84	SPROCKET/ASSEMBLY 20T
12	1	TS85	BUSHING/BRONZE
13	1	TS86	EXPELLER SOLID SHEAR HUB
14	A/R	T73	SPACER
15	2	F129	TIGHTENER WASHER
16	1	TS329	EXPELLER DRIVE SPACER
17	A/R	S409	SHIM, 1/8" THICK
18	2	S138	3/8" X 2-3/8" SQ. KEY W/ ROUND ENDS
19	4	YSKP10010	SET SCREW, SOCKET, KNURLED CUP PT, 5/16" - 18 X 3/8"
20	2	YSKP12010	SET SCREW, SOCKET, KNURLED CUP PT, 3/8"-16 X 1/2"
21	2	YBHH08027	BOLT, 1/4" X 1-1/2" GR. 8 YELLOW ZINC
22	8	YBHH18005	BOLT, 9/16" X 1-1/2" GR. 5
23	1	YBHH20055	BOLT, 5/8" X 3-1/2" GR. 5
24	1	YWLO20005	WASHER, LOCK, 5/8"
25	1	YNHX20005	HEX NUT, 5/8"-11
26	1	YNJM12005	HEX NUT, JAM, 3/8"-16
27	8	YNFG18005	SERRATED FLANGE NUT, 9/16"
28	2	YNL08005	HEX NUT, TOP LOCK, 1/4"-20
29	1	YWFL20005	WASHER, FLAT, 5/8" USS
30	2	33SV29	SPACER
31	A/R	16SV375	SPACER

NOTE: A/R: AS REQUIRED

FIGURE 7

GUARDS/SHIELDS

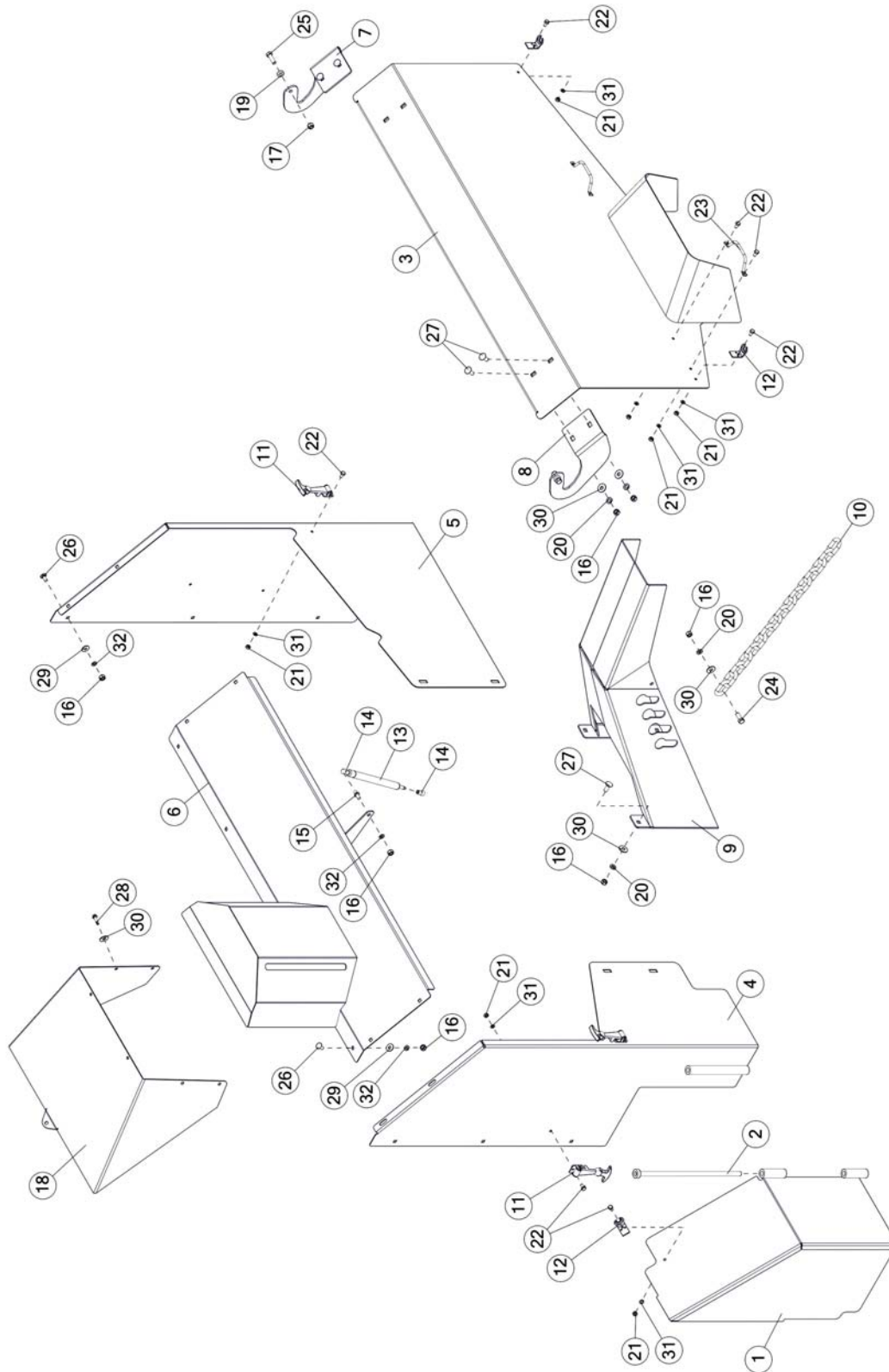


FIGURE 7

GUARDS/SHIELDS

<u>ITEM</u>	<u>QTY</u>	<u>PART #</u>	<u>DESCRIPTION</u>
1	1	TS87	EXPELLER DRIVE SHIELD
2	1	TS88	EXPELLER SHIELD HINGE
3	1	TS89	FRONT SHIELD DOOR
4	1	TS90	FRONT SHIELD RIGHT SIDE
5	1	TS91	FRONT SHIELD LEFT SIDE
6	1	TS92	FRONT SHIELD TOP
7	1	TS93	FRONT SHIELD HINGE RIGHT
8	1	TS94	FRONT SHIELD HINGE LEFT
9	1	TS95	HOSE HOLDER
10	1	TS130	CHAIN PTO HOLDER
11	3	X233	COMPLETE LATCH
12	3	X193	LATCH CATCH
13	1	TS97	GAS SPRING 100 LBS FORCE 13.74" EXT MCM.
14	2	TS381	10MM STEEL BALL SOCKET 6 MM
15	1	TS382	10MM BALL MOUNT 9512K73
16	13	YNHX12005	HEX NUT, 3/8"-16
17	2	YNTL12005	HEX NUT, TOP LOCK, 3/8"-16
18	1	57325	5215 FILLER SHIELD
19	2	TS331	SHIELD HINGE SPACER
20	7	YWLO12005	WASHER, LOCK, 3/8"
21	9	YNHX08005	HEX NUT, 1/4"-20
22	9	YBHH08015	BOLT, 1/4" X 1/2" GR. 5
23	2	TS96	HANDLE
24	1	YBHH12010	BOLT, 3/8-16 X 1 GR 5
25	2	YBHH12035	BOLT, 3/8" X 1-1/4" GR. 5
26	9	YBCR10030	CARR. BOLT, 5/16" X 3/4" GR. 5
27	6	YBCR12010	CARR. BOLT, 3/8" X 1" GR. 5
28	7	YSDR08005	SELF DRILLING SCREW, 1/4"-14 X 1"
29	9	YWFL10005	WASHER, FLAT, 5/16" USS
30	14	YWFL12005	WASHER, FLAT, 3/8" USS
31	9	YWLO08005	WASHER, LOCK, 1/4"
32	10	YWLO10005	WASHER, LOCK, 5/16"

FIGURE 8
FRONT SPLASH GUARD

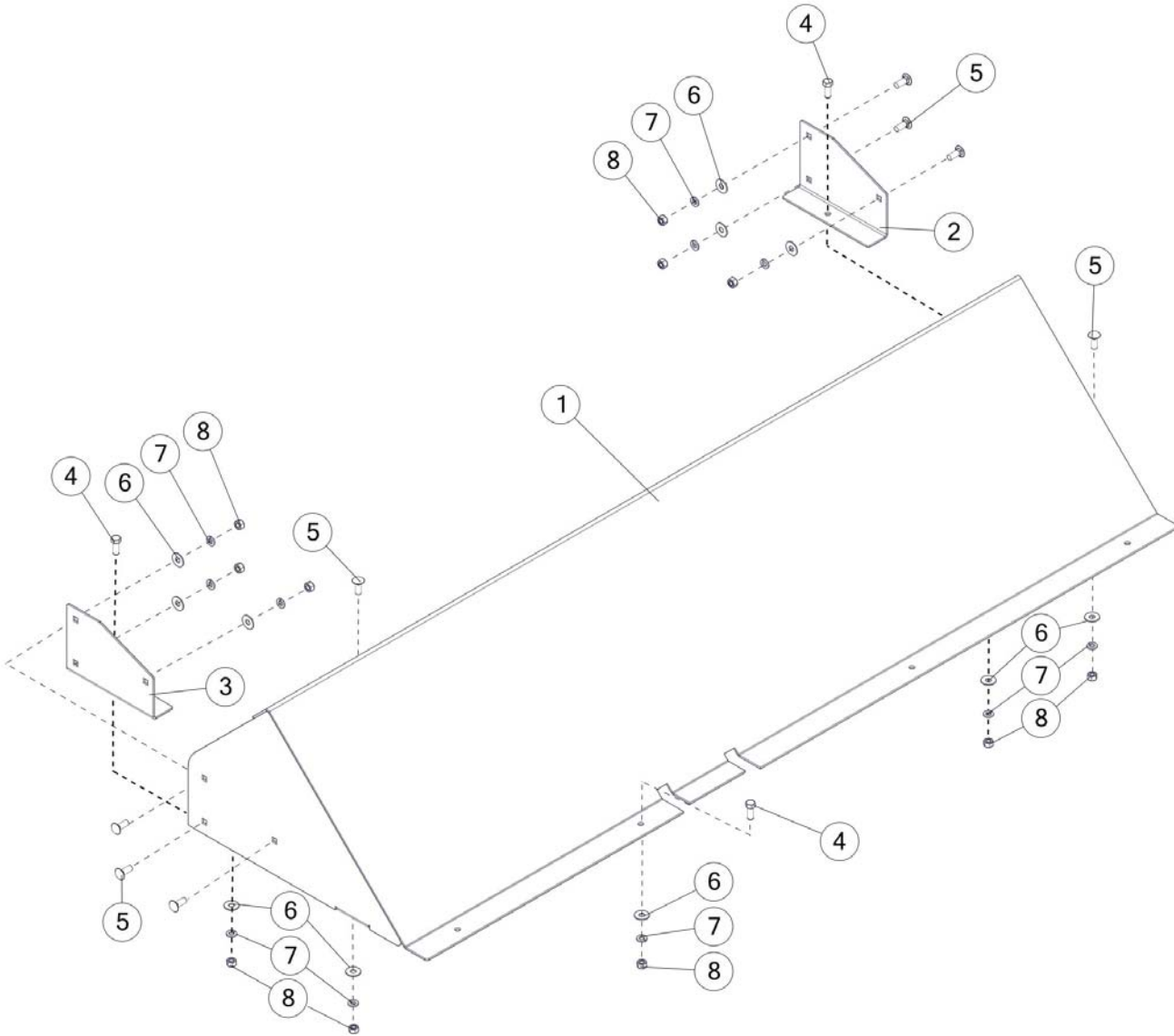


FIGURE 8

FRONT SPLASH GUARD

<u>ITEM</u>	<u>QTY</u>	<u>PART #</u>	<u>DESCRIPTION</u>
1	1	57251	FRONT SPLASH
2	1	57879	SPLASH MOUNT LEFT
3	1	57880	SPLASH MOUNT RIGHT
4	6	YBHH12010	BOLT, 3/8" X 1" GR. 5
5	8	YBCR12010	CARR. BOLT, 3/8" X 1" GR. 5
6	14	YWFL12005	WASHER, FLAT, 3/8" USS
7	14	YWLO12005	WASHER, LOCK, 3/8"
8	14	YNHX12005	HEX NUT, 3/8"-16

FIGURE 9
REAR SPLASH GUARD/RAILS - OPTIONAL

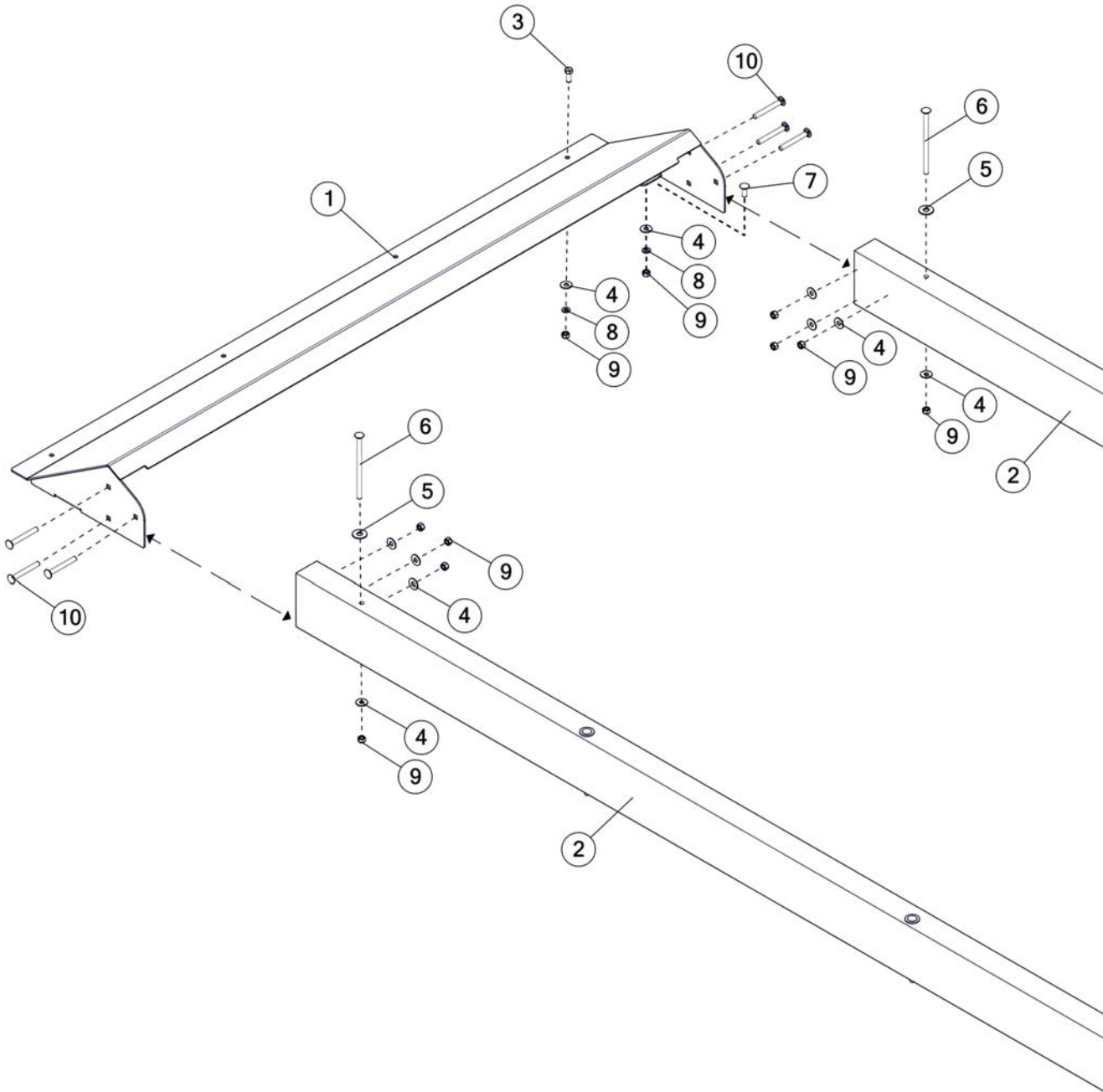


FIGURE 9

REAR SPLASH GUARD/RAILS - OPTIONAL

<u>ITEM</u>	<u>QTY</u>	<u>PART #</u>	<u>DESCRIPTION</u>
1	1	57256	BACK SPLASH GUARD
2	2	57908	WOOD RAIL
3	4	YBHH12010	BOLT, 3/8" X 1" GR. 5
4	22	YWFL12005	WASHER, FLAT, 3/8" USS
5	10	YWFL16005	WASHER, FLAT, 1/2" USS
6	10	YBCR12123	CARR. BOLT, 3/8" X 6-1/2" GR. 5
7	2	YBCR12010	CARR. BOLT, 3/8" X 1" GR. 5
8	6	YWLO12005	WASHER, LOCK, 3/8"
9	22	YNHX12005	HEX NUT, 3/8"-16
10	6	YBCR12080	CARR. BOLT, 3/8" X 3-1/4" GR. 5

FIGURE 10
REAR SPLASH GUARD - OPTIONAL

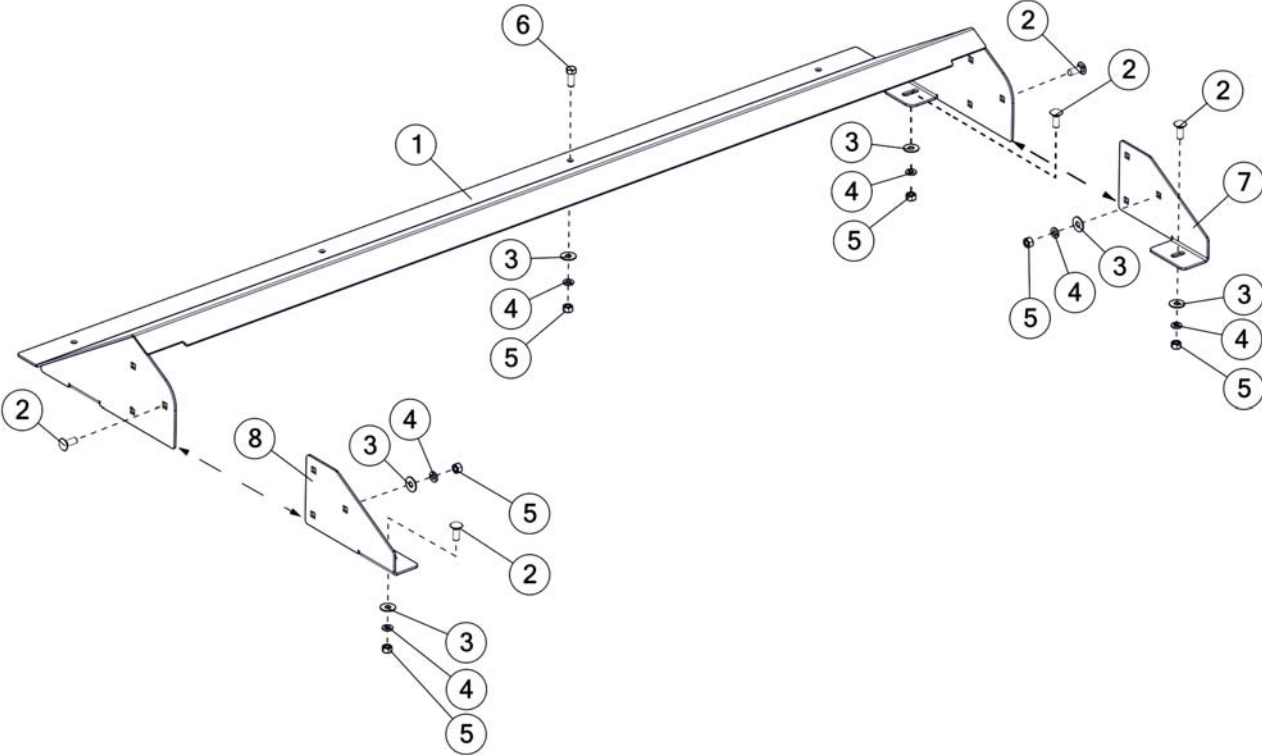


FIGURE 10

REAR SPLASH GUARD - OPTIONAL

<u>ITEM</u>	<u>QTY</u>	<u>PART #</u>	<u>DESCRIPTION</u>
1	1	57256	5215 BACK SPLASH GUARD
2	10	YBCR12010	CARR. BOLT, 3/8 X 1 GR. 5
3	14	YWFL12005	WASHER, FLAT, 3/8 USS
4	14	YWLO12005	WASHER, LOCK, 3/8
5	14	YNHX12005	HEX NUT, 3/8-16
6	4	YBHH12010	BOLT, 3/8-16 X 1 GR 5
7	1	58393	REAR SPLASH GUARD BRACKET LG
8	1	58395	REAR SPLASH GUARD BRACKET RH

FIGURE 11
HYDRAULICS

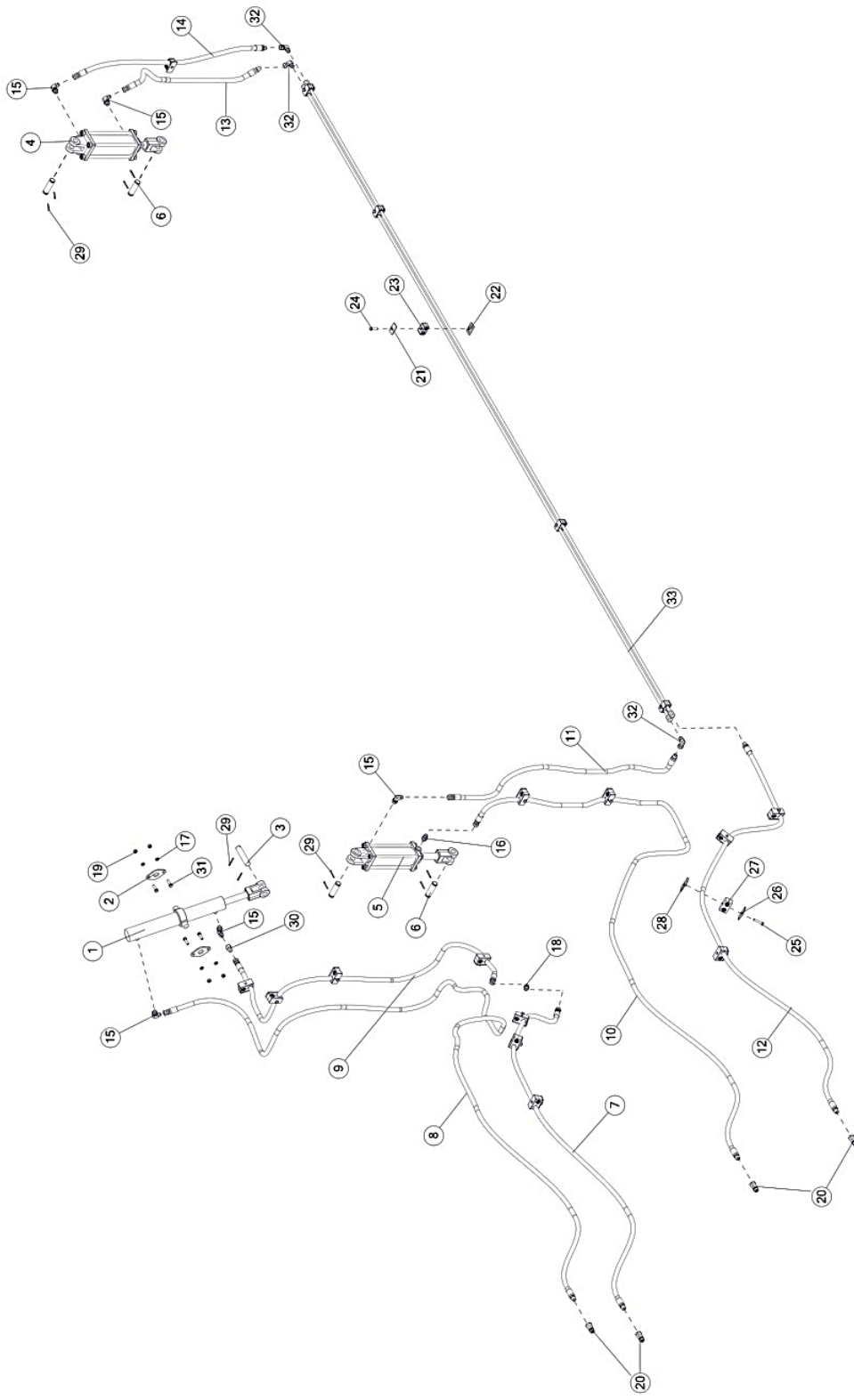


FIGURE 11

HYDRAULICS

<u>ITEM</u>	<u>QTY</u>	<u>PART #</u>	<u>DESCRIPTION</u>
1	1	57582	TRUNNION DOOR CYLASSY
2	2	TS103	CYLINDER MOUNT CLIP
3	1	LW55	TAIL CYLINDER PIN
4	1	TS105	3-1/4 X 8 CYLINDER
5	1	TS104	3 x 8 CYLINDER
6	4	T143	HYDRAULIC CYLINDER PIN
7	1	TS110	HOSE 1/2" X 99" 106HY-8-8 X 101HY-8-8
8	1	TS106	HOSE 1/2" X 194" 106HY-8-8 X 101HY-8-8
9	1	TS108	HOSE 1/2" X 91" 106HY-8-8 X 106HY-8-8
10	1	TS111	HOSE 1/2" X 162" 106HY-8-8 X 101HY-8-8
11	1	TS112	HOSE 1/2" X 56" 106HY-8-8 X 103HY-8-8
12	1	TS113	HOSE 1/2" X 120" 103HY-8-8 X 101HY-8-8
13	1	TS114	HOSE 1/2" X 38" 106HY-8-8 X 103HY-8-8
14	1	TS115	HOSE 1/2" X 49" 106HY-8-8 X 103HY-8-8
15	5	TS135	8-C5OX-S FITTING
16	1	TS137	8F5OX-S FITTING
17	4	YWLO12005	WASHER, LOCK, 3/8
18	1	GM17	ADAPTER 8 HTX-S
19	4	YNHX12005	HEX NUT, 3/8-16
20	4	DWM205	MALE QUICK COUPLER
21	5	56563	CLAMP TOP PLATE
22	5	1021	LINE DOUBLE T2 CLAMP BASE
23	5	TS118	LINE CLAMP BLOCK
24	5	56568	CLAMP BOLT
25	14	56569	CLAMP BOLT
26	14	56564	CLAMP TOP PLATE
27	14	56596	CLAMP CUSHION
28	14	GM71	1/2" HOSE DOUBLE CLAMP BASE
29	10	YPCT05010	COTTER PIN 5/32" X 1-1/2"
30	1	TS197	8 XHX7-S ORIFICE .031
31	4	YBHH12035	BOLT, 3/8"-16 X 1-1/4" GR. 5
32	3	TFM83	90 DEGREE ELBOW
33	2	57536	HYDRAULIC LINE

FIGURE 12
SINGLE AXLE

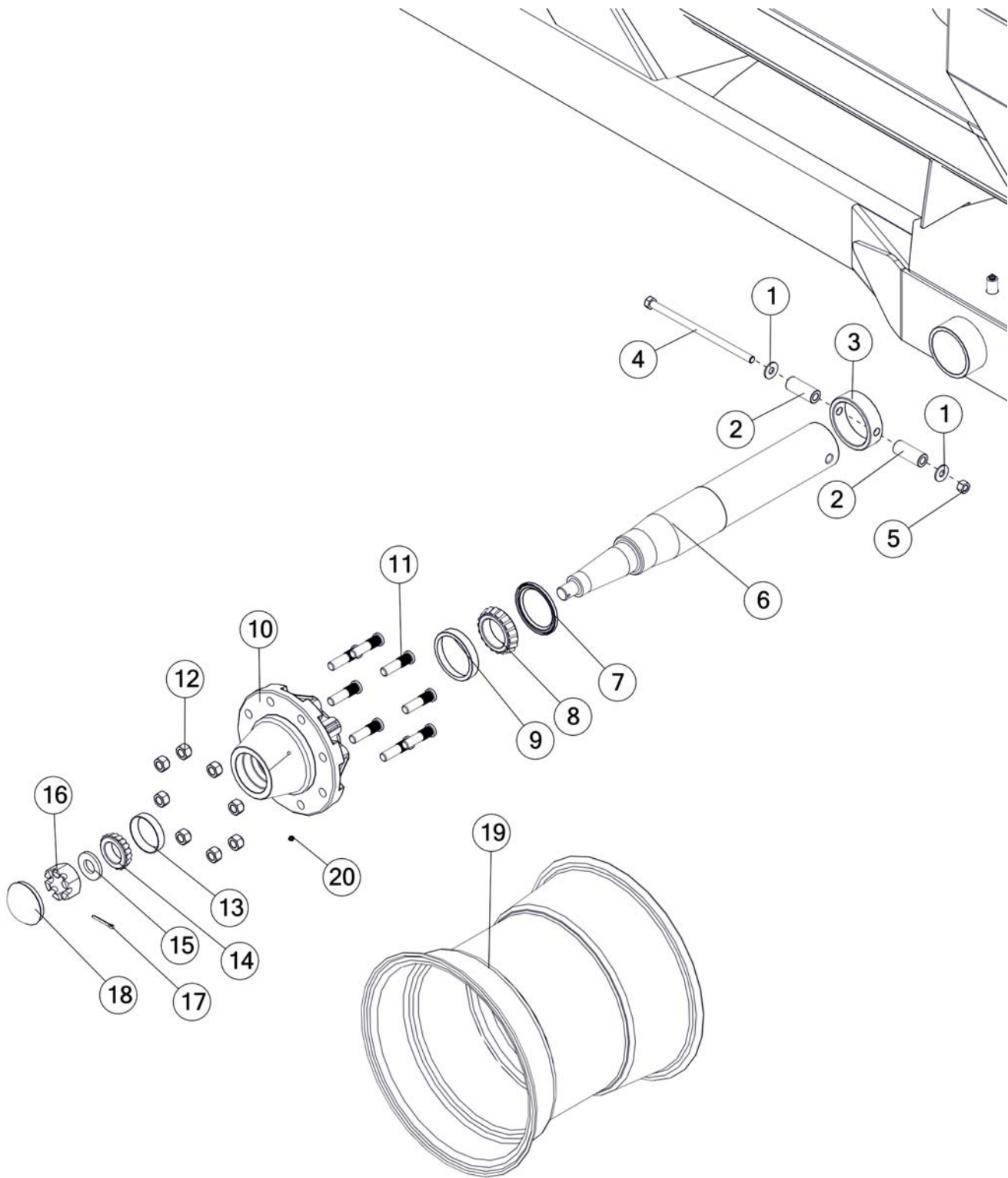


FIGURE 12

SINGLE AXLE

<u>ITEM</u>	<u>QTY</u>	<u>PART #</u>	<u>DESCRIPTION</u>
1	4	YWFL16005	WASHER, FLAT, 1/2" USS
2	4	57559	AXLE BOLT SPACER
3	2	57299	SPINDLE COLLAR
4	2	YBHH16200	BOLT, 1/2" X 10" GR. 5
5	2	YNRL16005	HEX NUT, REVERSIBLE-SIDE LOCK, 1/2"-13
6	2	57373	3.375 X 26.00 SPINDLE FOR 758 HUB
7	2	33SV42	GREASE SEAL
8	2	33SV43	TAPERED ROLLER BEARING, 2.25 BORE
9	2	33SV44	INNER RACE
10	2	54475	758(B) HUB CASTING
11	16	YBSD20010	STUD BOLT, 5/8"-18 UNF X 2-1/2"
12	16	YNWL20005	WHEEL NUT, 5/8"-18 UNF
13	2	RG169	RACE
14	2	17G150	TAPERED ROLLER BEARING, 1.625 BORE
15	2	33SV95	SPINDLE WASHER
16	2	YNLS32005	HEX NUT, SLOTTED, 1"-14
17	2	YPCT06005	COTTER PIN, 3/16" X 1-1/2"
18	2	RG171	HUB CAP
19	2	33SV105	16 X 16.1 RIM FOR 3302
20	2	G89	ZERK, 1/4"-28 STRAIGHT

FIGURE 13
TANDEM AXLES (OPTIONAL)

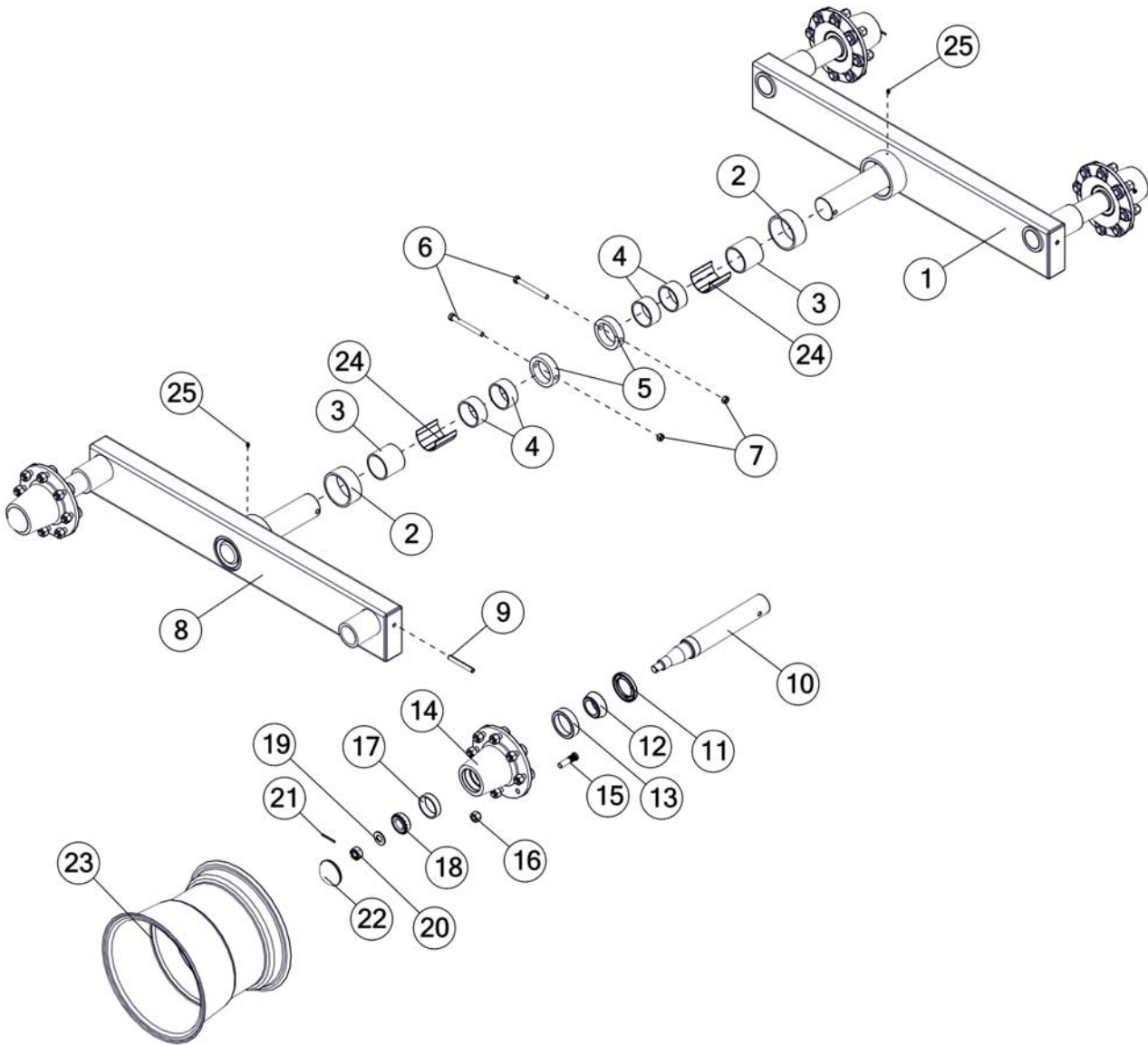


FIGURE 13

TANDEM AXLES (OPTIONAL)

<u>ITEM</u>	<u>QTY</u>	<u>PART #</u>	<u>DESCRIPTION</u>
1	1	TS314	LEFT TANDEM MID
*	1	TS132	TANDEM BEAM LH
*	1	TS131	LEFT TANDEM DROP
2	2	70162	BUSHING, NYLATRON, 4.50" OD X 4.00" ID X 1.88"
3	2	70150	BUSHING, NYLATRON, 3.375" OD X 3.00" ID X 3.00"
4	4	70169	BUSHING, NYLATRON, 3.375" OD X 3.00" ID X 1.50"
5	2	16SV78	COLLAR FOR AXLE
6	2	YBHH16155	BOLT, 1/2" X 5" GR. 5
7	2	YNTL16005	HEX NUT, TOP LOCK, 1/2"-13
8	1	TS315	RIGHT TANDEM MID
*	1	TS134	TANDEM BEAM RH
*	1	TS133	RIGHT TANDEM DROP
9	4	YPEX16020	EXPANSION PIN, 1/2" X 4"
10	4	16SV203	SPINDLE 2.5 X 18.5
11	4	B90	SEAL
12	4	53461	INNER BEARING
13	4	B91A	INNER RACE
14	4	16SV398	HUB (TIMKEN) L821206-8-31
15	32	YBSD20010	STUD BOLT, 5/8"-18 UNF X 2-1/2" (7/8" SHOULDER)
16	32	YNWL20005	WHEEL NUT, 5/8"-18 UNF
17	4	B94A	OUTER RACE
18	4	53462	OUTER BEARING
19	4	YWFL28010	WASHER, FLAT, SAE 7/8
20	4	YNSL28005	HEX NUT, SLOTTED, 7/8"-14
21	4	YPCT05020	COTTER PIN, 5/32" X 1-3/4"
22	4	B2	HUB CAP
23	4	23N179	WHEEL 8.25 X 22.5
*	4	12V36	WHEEL 14 X 16.1
*	4	16SV89	WHEEL 13.5 X 22.5
*	4	53463	COMPLETE HUB AND SPINDLE ASSEMBLY
24	2	57806	TANDEM BUSHING SPACER
25	2	G89	ZERK, 1/4"-28 STRAIGHT-STD #1641

NOTE: * MEANS NOT SHOWN

FIGURE 14
OILER KIT (OPTIONAL)

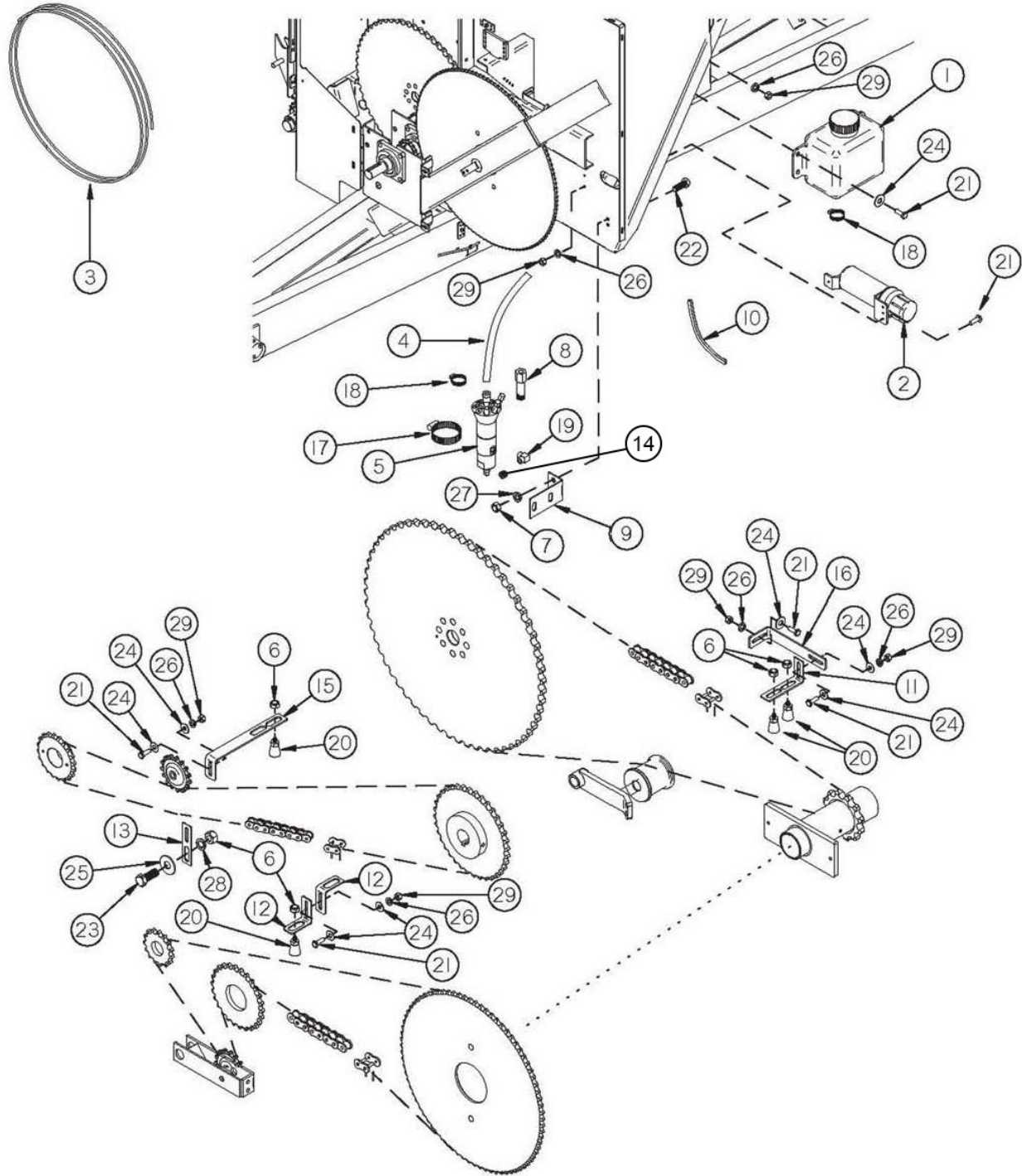


FIGURE 14

OILER KIT (OPTIONAL)

<u>ITEM</u>	<u>QTY</u>	<u>PART #</u>	<u>DESCRIPTION</u>
1	1	HGV63	RESERVOIR
2	1	S522	MANUAL HOLDER
3	1	HGV71	OIL TUBE
4	1	HGV66	FILLER HOSE
5	1	HGV82	PUMP (COMPLETE)
6	5	YNHX16005	HEX NUT, 1/2"
7	2	YNHX12005	HEX NUT, 3/8"-16
8	4	HGV84	170-4515 MANIFOLD ASSEMBLY
9	1	HGV68	PUMP MOUNT BRACKET
10	1	HGV77	EDGING
11	2	HGV69	BRUSH BRACKET LONG
12	2	TS98	OILER BRUSH BRACKET SINGLE
13	1	HGV70	BRACKET MOUNT
14	1	TS198	ORIFICE .015 (4XHX7-S)
15	1	TS322	EXTRA LONG BRUSH BRACKET
16	1	TS196	OILER HANGER
*	1	HGV62	COMPLETE OILER KIT
17	1	HGV74	2" HOSE CLAMP
18	2	HGV75	1" HOSE CLAMP
19	1	HGV65	O-RING/JIC ELBOW
20	4	HGV67	BRUSH
21	11	YBHH08100	BOLT, 1/4" X 3/4" GR. 5
22	2	YBHH12135	BOLT, 3/8" X 3/4" GR. 5
23	1	YBHH16045	BOLT, 1/2" X 1-1/4" GR. 5
24	11	YWFL08005	WASHER, FLAT, 1/4" USS
25	1	YWFL16005	WASHER, FLAT, 1/2" USS
26	11	YWLO08005	WASHER, LOCK, 1/4"
27	2	YWLO12005	WASHER, LOCK, 3/8"
28	1	YWLO16005	WASHER, LOCK, 1/2"
29	11	YNHX08005	HEX NUT, 1/4"-20

NOTE: * MEANS NOT SHOWN

FIGURE 15
FRONT GREASE LINES

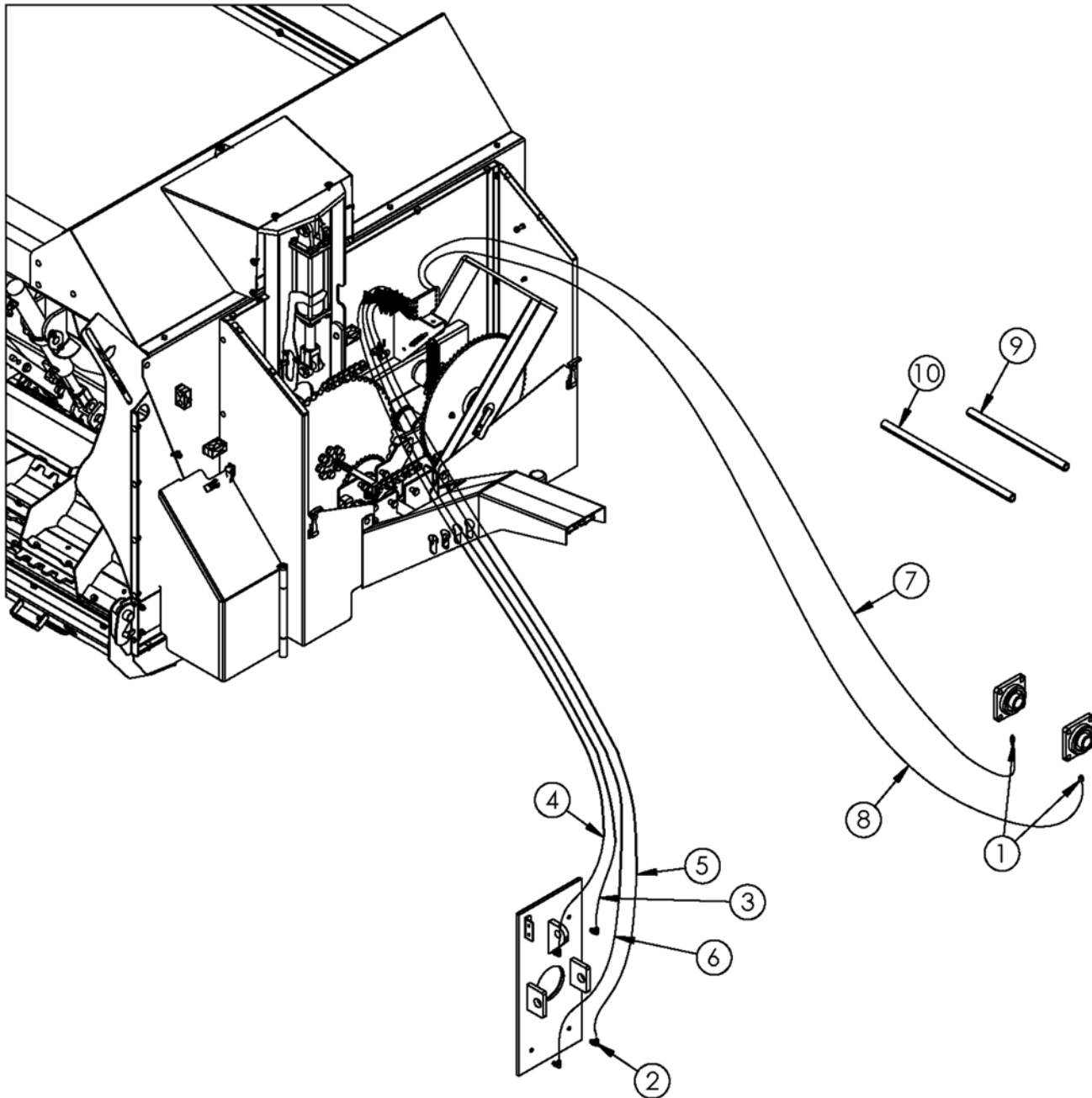


FIGURE 15

FRONT GREASE LINES

<u>ITEM</u>	<u>QTY</u>	<u>PART #</u>	<u>DESCRIPTION</u>
1	2	TS323	1/4"-28 TO 1/8" PIPE ADAPTER
2	4	GM30	1/8" 90° GREASE LINE ADAPTER
3	1	TS119	GREASE LINE - 23"
4	1	TS120	GREASE LINE - 29.5"
5	1	TS121	GREASE LINE - 38.5"
6	1	TS122	GREASE LINE - 45.5"
7	1	TS123	GREASE LINE - 60"
8	1	TS124	GREASE LINE - 63.75"
9	1	TS246	SPLIT LOOM 3/4" X 18"
10	1	TS305	SPLIT LOOM 3/4" X 24"
*	6	YNML99005	M10-1.0 JAM NUT A2 SS

FIGURE 16
LIGHTS (OPTIONAL)

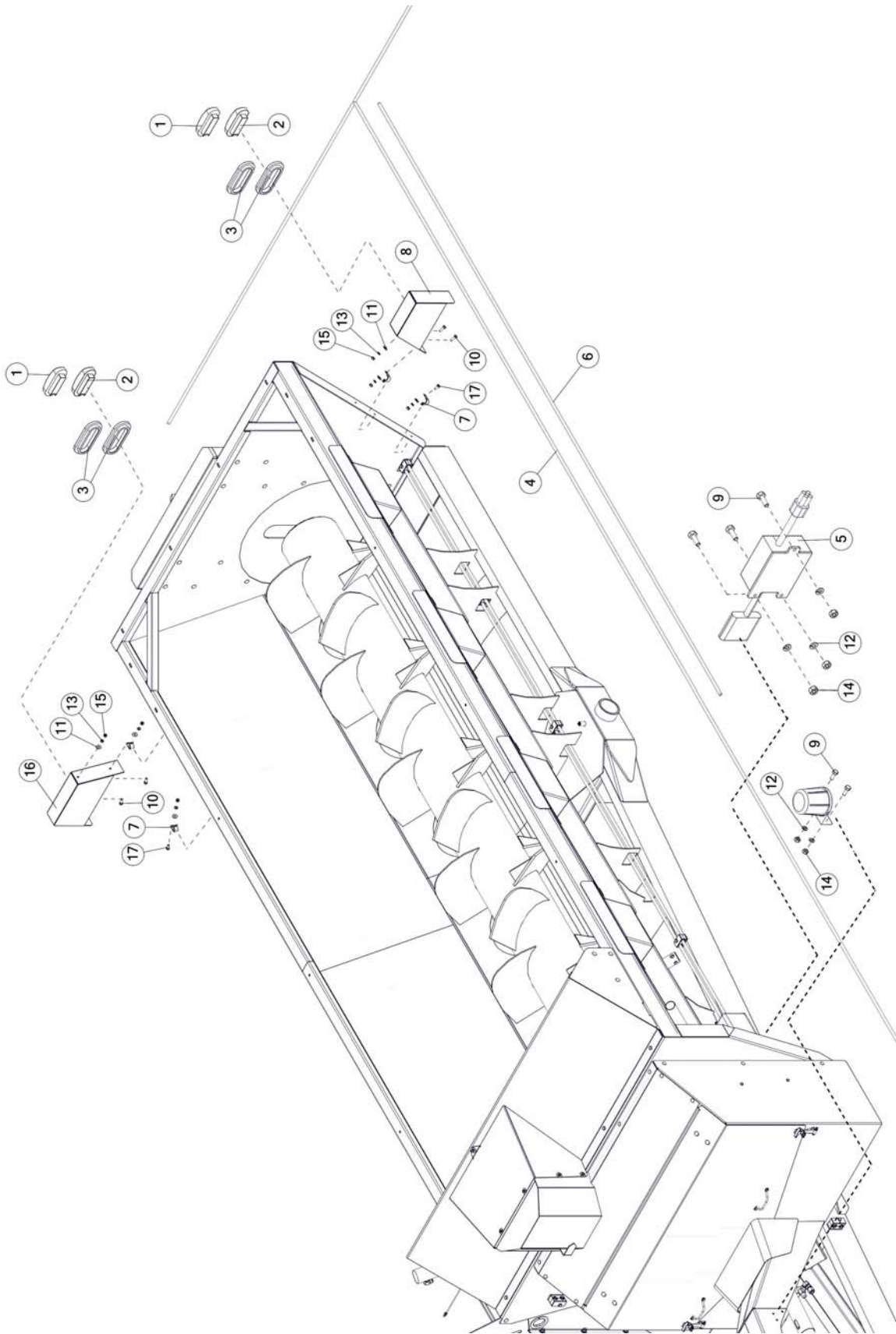
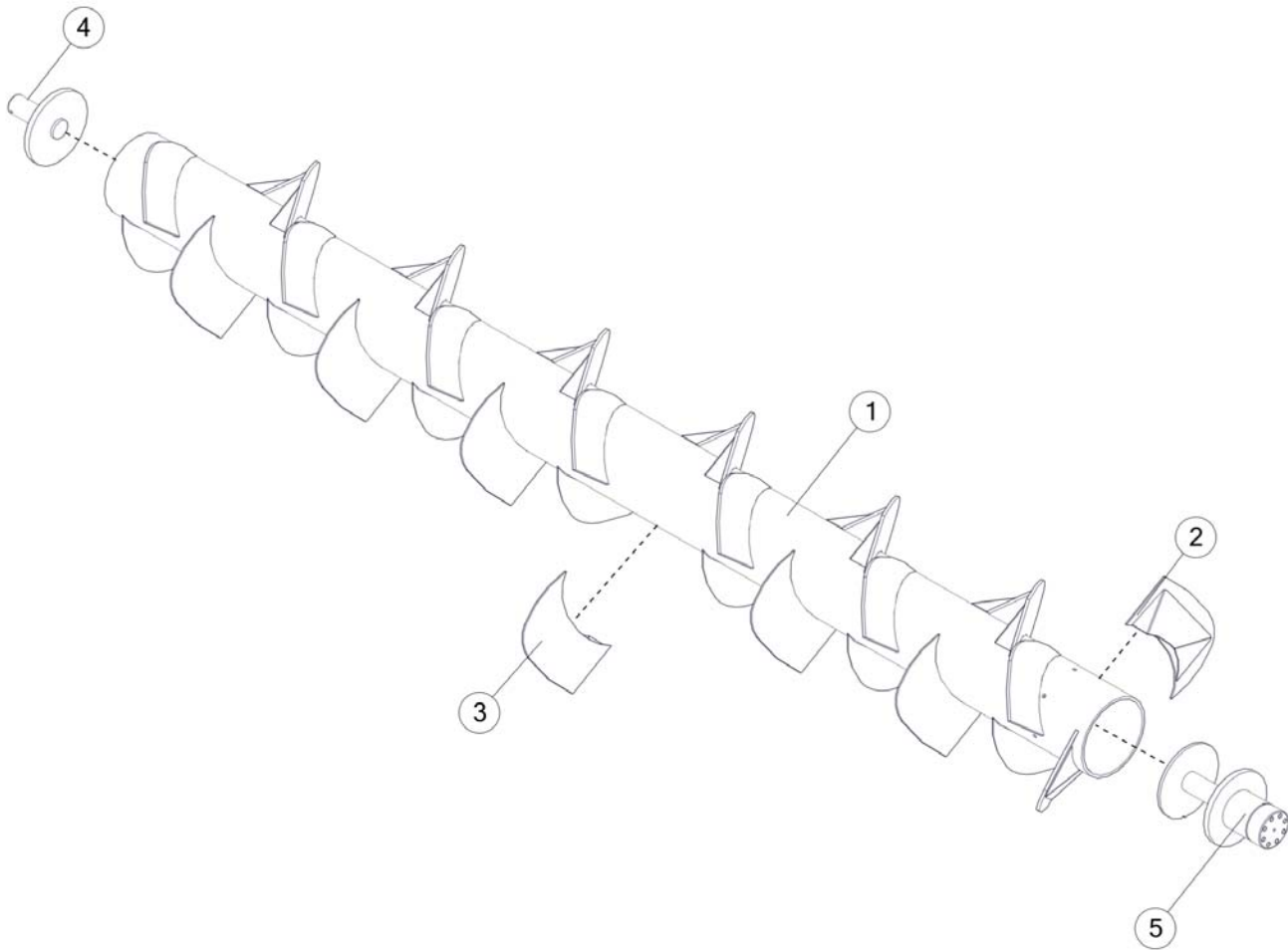


FIGURE 16
LIGHTS (OPTIONAL)

<u>ITEM</u>	<u>QTY</u>	<u>PART #</u>	<u>DESCRIPTION</u>
1	2	S309	YELLOW HAZARD LIGHT
2	2	S310	RED TAIL LIGHT
3	4	S308	RUBBER LIGHT MOUNT
4	1	1080	TAIL LIGHT LOOM
5	1	69908	LIGHT MODULE
6	1	TS317	WIRE HARNESS APX3-MS-05
7	4	HGV162	RUBBER CUSHION CLAMP 1/2"
8	1	59861	LIGHT BOX LEFT
9	5	YSPP64010	#10-32 X 1" PHILLIPS HEAD MACHINE SCREW
10	4	YBHH10010	BOLT, 5/16 X 1 GR 5
11	6	YWFL10005	WASHER, FLAT, 5/16" USS
12	5	YWLO08005	WASHER, LOCK, 1/4"
13	6	YWLO10005	WASHER, LOCK, 5/16"
14	5	YNHX64005	HEX NUT, #10-32
15	6	YNHX10005	HEX NUT, 5/16 GR 2
16	1	59865	LIGHT BOX RIGHT
17	2	YBHH10105	BOLT, 5/16 X 3/4 GR 5

FIGURE 17

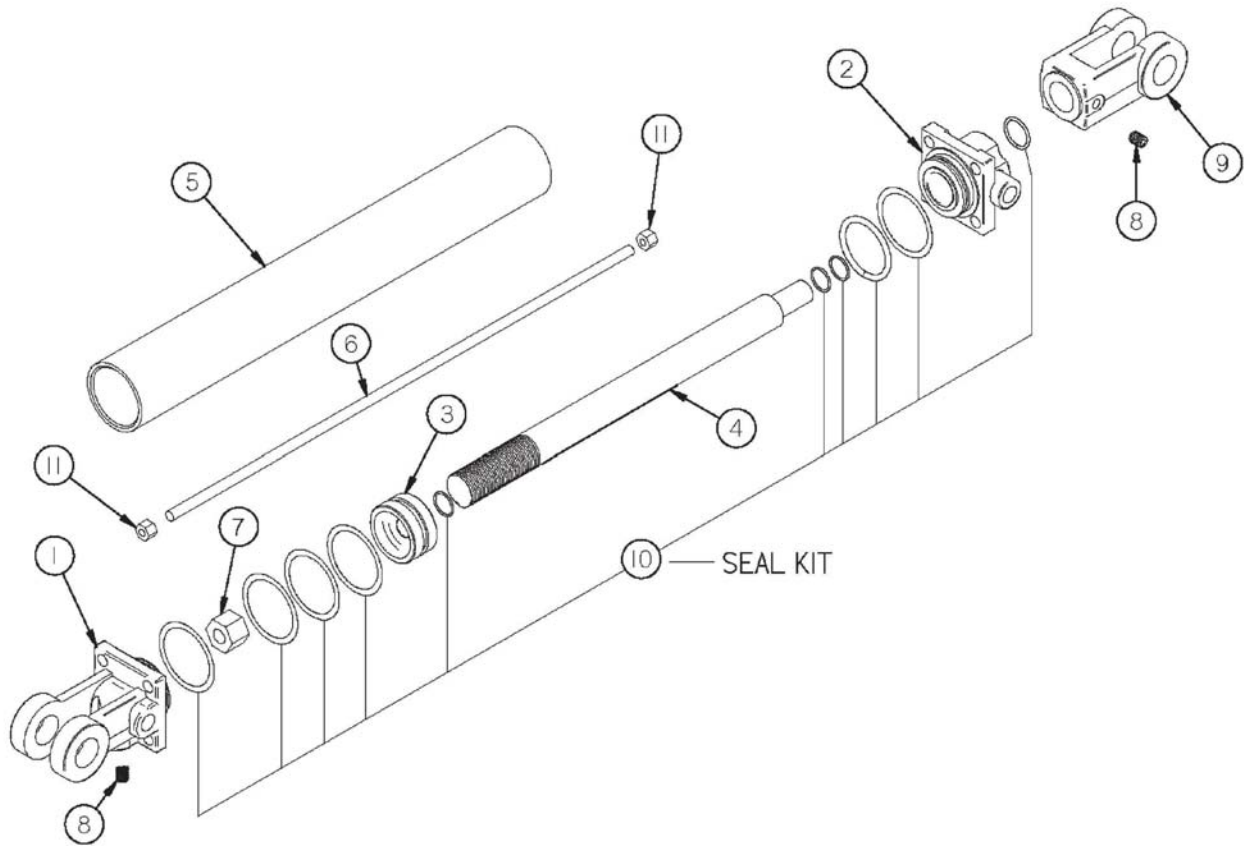
AUGER



<u>ITEM</u>	<u>QTY</u>	<u>PART #</u>	<u>DESCRIPTION</u>
1	1	57169	AUGER (COMPLETE)
2	2	TS125	AUGER PADDLE FRONT
3	32	TS126	AUGER PADDLE REAR
4	1	TS127	AUGER REAR ASSEMBLY
5	1	TS128	AUGER INPUT ASSEMBLY

FIGURE 18

AUGER FRONT/REAR HYDRAULIC CYLINDER

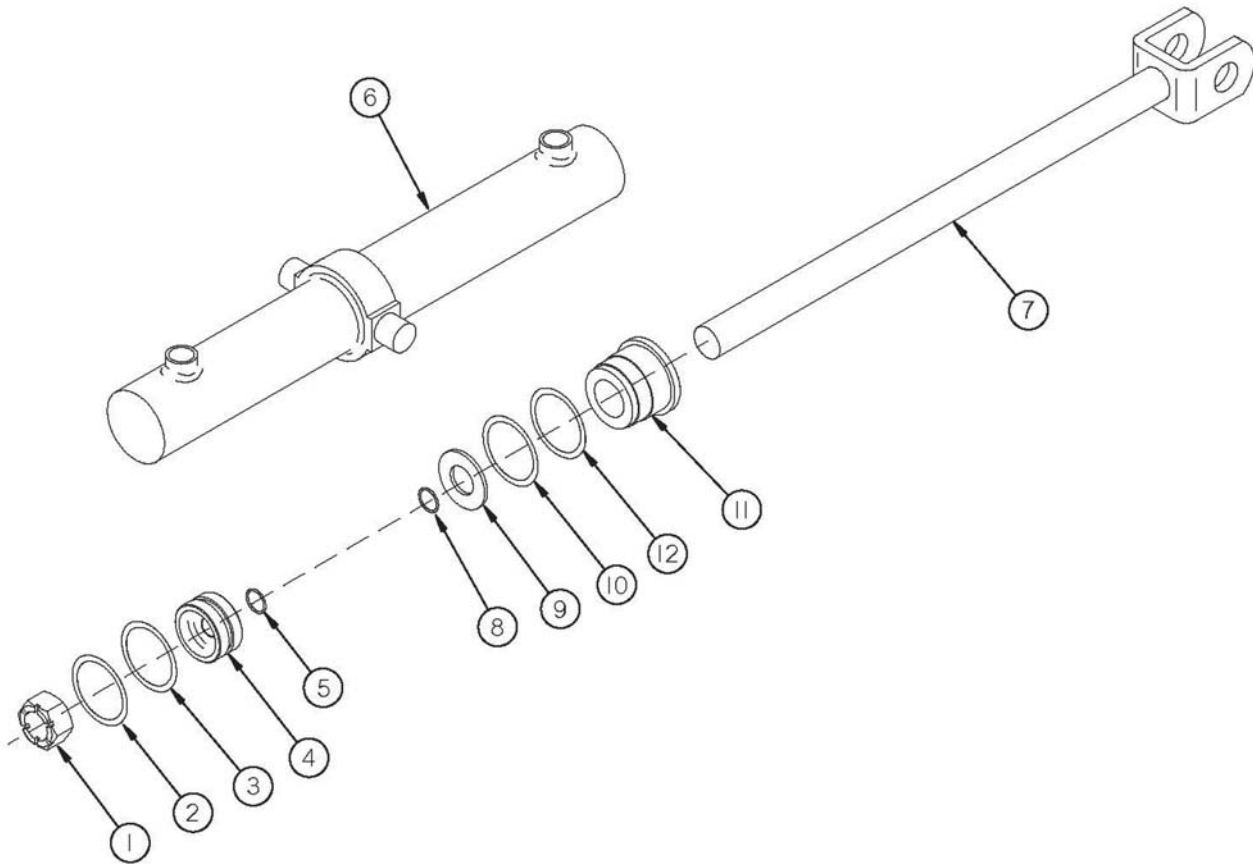


<u>ITEM</u>	<u>QTY</u>	<u>3" BORE</u>	<u>3-1/4" BORE</u>	<u>DESCRIPTION</u>
1	1	TS160	TS176	BASE (3/4-16 SAE PORT)
2	1	TS158	TS174	HEAD (3/4-16 SAE PORT)
3	1	TS159	TS175	PISTON NUT
4	1	TS156	TS172	ROD
5	1	TS157	TS173	TUBE
6	4	TS153	TS171	TIE ROD
7	1	TS145	TS166	PISTON NUT
8	1	TS152	"	PLUG ASSY (3/4-16 SAE)
9	1	TS155	"	CLEVIS ASSEMBLY
10	1	TS163	TS177	SEAL KIT
11	8	TS144	TS165	TIE ROD NUT

NOTE: " MEANS SAME AS PREVIOUS MODEL

FIGURE 19

TRUNNION MOUNT HYDRAULIC CYLINDER

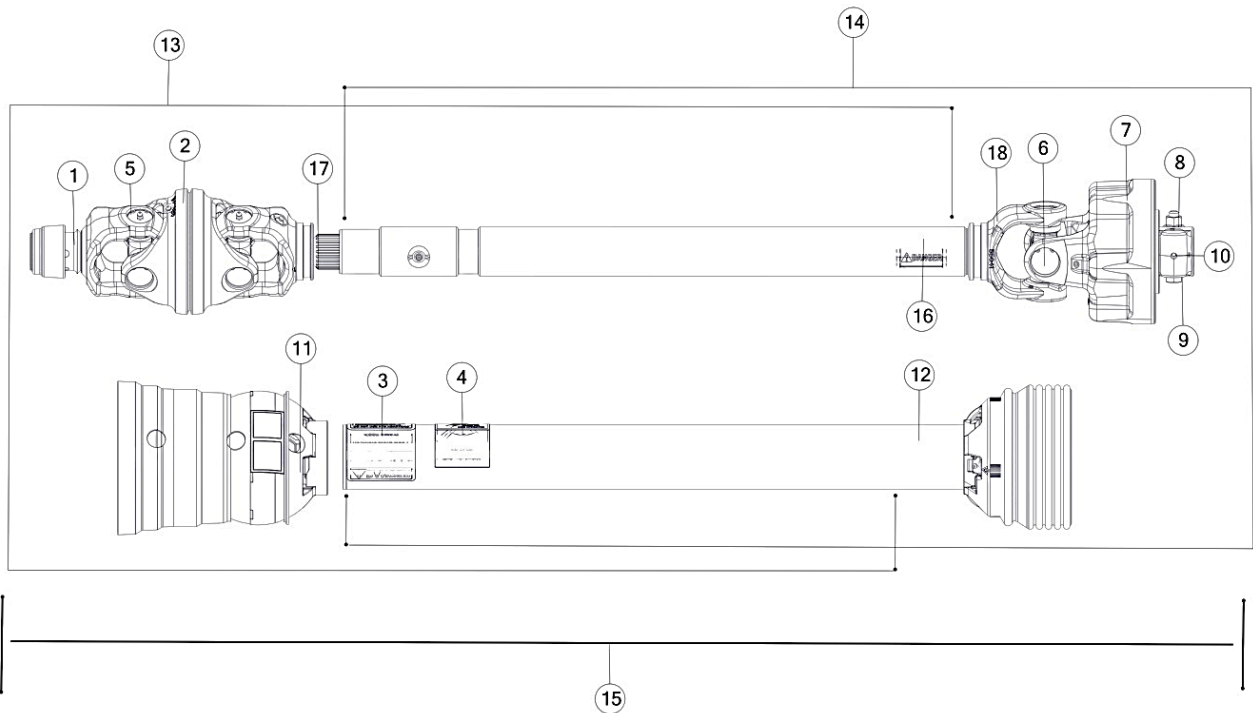


ITEM	QTY	PART #	DESCRIPTION
1	1	YNSL24010	HEX NUT, SLOTTED, 3/4"-16
2	1	TS344	WEAR RING
3	1	TS345	CAPPED T-SEAL
4	1	TS346	PISTON
5	1	TS347	O-RING
6	1	TS348	JACKET ASSEMBLY
7	1	TS349	PISTON ROD
8	1	TS350	O-RING
9	1	TS351	BACKUP WASHER
10	1	TS352	POLYPAK
11	1	TS353	GLAND NUT
12	1	TS354	METALLIC WIPER
*	1	TS355	SEAL KIT

NOTE: * MEANS NOT SHOWN

FIGURE 20

PTO (540 RPM)

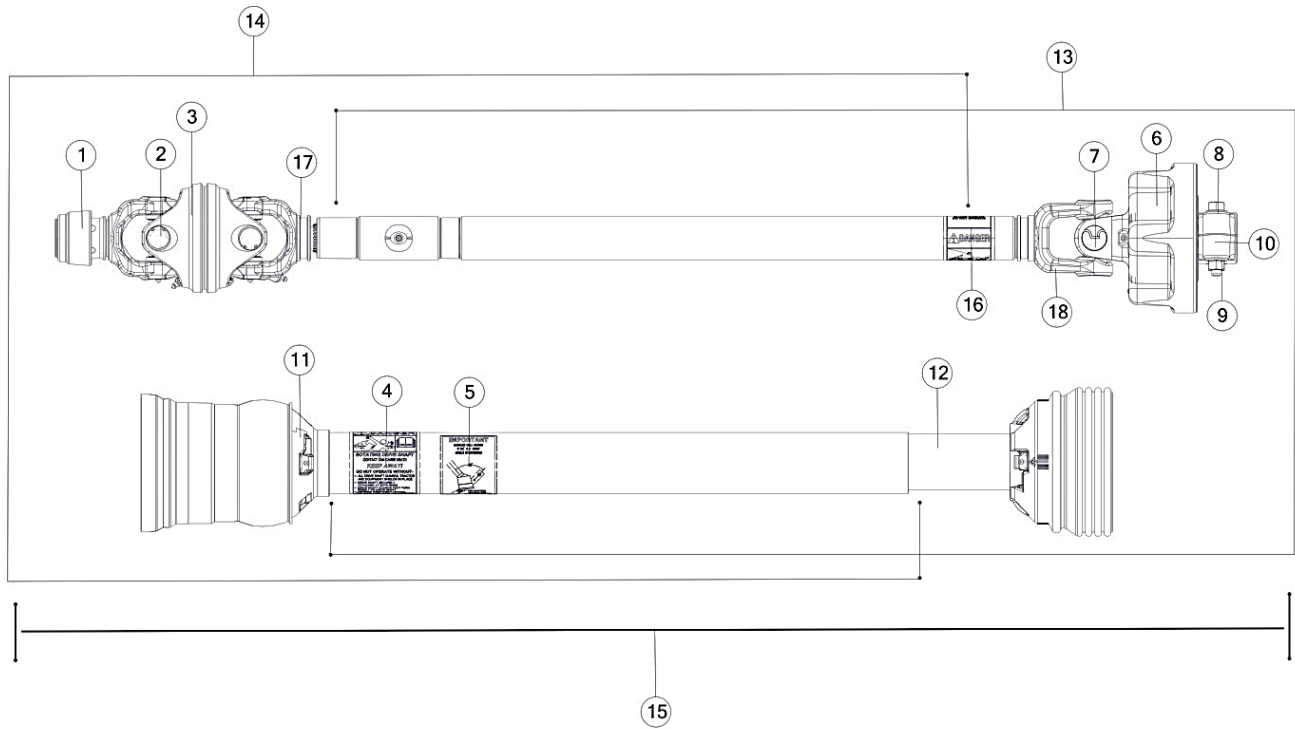


ITEM	540 RPM	DESCRIPTION
1	70589	PTO, YOKE, TUBE & SLIP SLEEVE, 540 RPM
2	56509	CENTER HOUSING PTO PART
3	1494L	DECAL-DANGER ROTATING DRIVE
4	16SV286	SAFETY SIGN (C.V INSTRUCTIONAL DECAL)
5	56656	AB8 / AW24 / CAT 6 80 EBL CROSS KIT
6	63405	CROSS KIT, 55E
7	70565	PTO, CLUTCH 55 AUTO, 23600 IN-LBF MIN.
8	YNFG16010	HEX NUT, FLANGED, TOP LOCK, 1/2, GR G, Z
9	YBFB16040	BOLT, FLANGE, 1/2-13 X 3.00, GR. 8
10	YSKP12030	SET SCREW, SOCKET, KNURLED CUP PT, 3/8-16 X 3/8 W/NYL PTCH
11	57973	OUTER GUARD
12	70597	SHLD, PTO SHAFT OUTER GUARD
13	57967	JOINT & SHAFT HALF ASM. W/ GUARD
14	70591	PTO, JOINT & TUBE HALF, GUARDED, 540 RPM
15	70647	PTO, 540 RPM, 28800 IN-LBF, AUTO
16	16SV388	SAFETY SIGN
17	57971	WWCV YOKE & SHAFT (1.69-20)
18	70598	PTO, YOKE, TUBE & SLIP SLEEVE, 540 RPM
*	57972	GUARD REPAIR KIT
*	16SV274	SAFETY SLIDE LOCK REPAIR KIT
*	S402	ADMA SAFETY MANUAL

* MEANS NOT SHOWN

FIGURE 21

PTO (1000 RPM)



ITEM	1000 RPM	DESCRIPTION
1	63389	YOKE, 4 80 WWCV, AUTO-LOC
2	63784	CROSS KIT, AB6/AW22/480 EBL
3	TS180	CENTER HOUSING
4	1494L	DECAL-DANGER ROTATING DRIVE
5	16SV286	SAFETY SIGN (C.V INSTRUCTIONAL DECAL)
6	70563	PTO, CLUTCH 35 AUTOMATIC, 15900 IN-LBF MIN.
7	61370	CROSS KIT, 35E
8	YBFB16040	BOLT, FLANGE, 1/2-13 X 3.00, GR. 8
9	YNFG16010	HEX NUT, FLANGED, TOP LOCK, 1/2, GR G, Z
10	YSKP12030	SET SCREW, SOCKET, KNURLED CUP PT, 3/8-16 X 3/8 W/NYL PTCH
11	TS182	OUTER GUARD
12	70585	SHLD, PTO SHAFT INNER GUARD
13	70581	PTO, JOINT & TUBE HALF, GUARDED, 1000 RPM
14	63790	JOINT & SHAFT HALF, GUARDED
15	70329	PTO, 1000 RPM, 19500 IN-LBF, AUTO
16	16SV388	SAFETY SIGN
17	70583	PTO, WWCV YOKE & SHAFT (1.31-20 SPLN), 1000 RPM
18	70586	PTO, YOKE, TUBE & SLIP SLEEVE, 1000 RPM
*	16SV383	GUARD REPAIR KIT
*	16SV274	SAFETY SLIDE LOCK REPAIR KIT
*	S402	ADMA SAFETY MANUAL

* MEANS NOT SHOWN

H&S MFG. CO.

products approved

for the

FEMA

SEAL OF QUALITY

