

# **H&S** PARTS BOOK

## **5217/5219/5221 FORAGE BOXES**



Revision #01

5217 Starting Ser. #021FC17001

5219 Starting Ser. #021FC19001

5221 Starting Ser. #021FC21001

HSMFG0920

Part #86595

Manufactured by  
**H&S MANUFACTURING CO., INC.**  
2608 S. HUME AVE. MARSHFIELD, WI 54449  
(715) 387-3414 | [hsmfgco.com](http://hsmfgco.com)



# **SECTION**

Instructions for Ordering Parts .....	1
Cross Conveyor .....	3-61
Twin Auger .....	62-113
17/19/21' Forage Boxes .....	114-153
Parts Notes .....	154

# **INSTRUCTIONS FOR ORDERING PARTS**

All service parts should be ordered through your authorized H&S dealer. Your Dealership will be able to give you faster service if you will provide them with the following:

1. Model & Serial Number - Both can be located on the side of the center bearing post above jack mount.
2. All references to left or right apply to the machine as viewed from the rear.
3. Parts should not be ordered from illustration only. Please order complete part number.
4. If your dealer has to order parts - give shipping instructions:

VIA truck - large pieces (please specify local truck lines)

VIA United Parcel Service (include full address)



PLEASE RECORD NUMBERS FOR YOUR UNIT FOR QUICK REFERENCE

## **ABOUT IMPROVEMENTS**

H&S IS CONTINUALLY STRIVING TO IMPROVE IT'S PRODUCTS

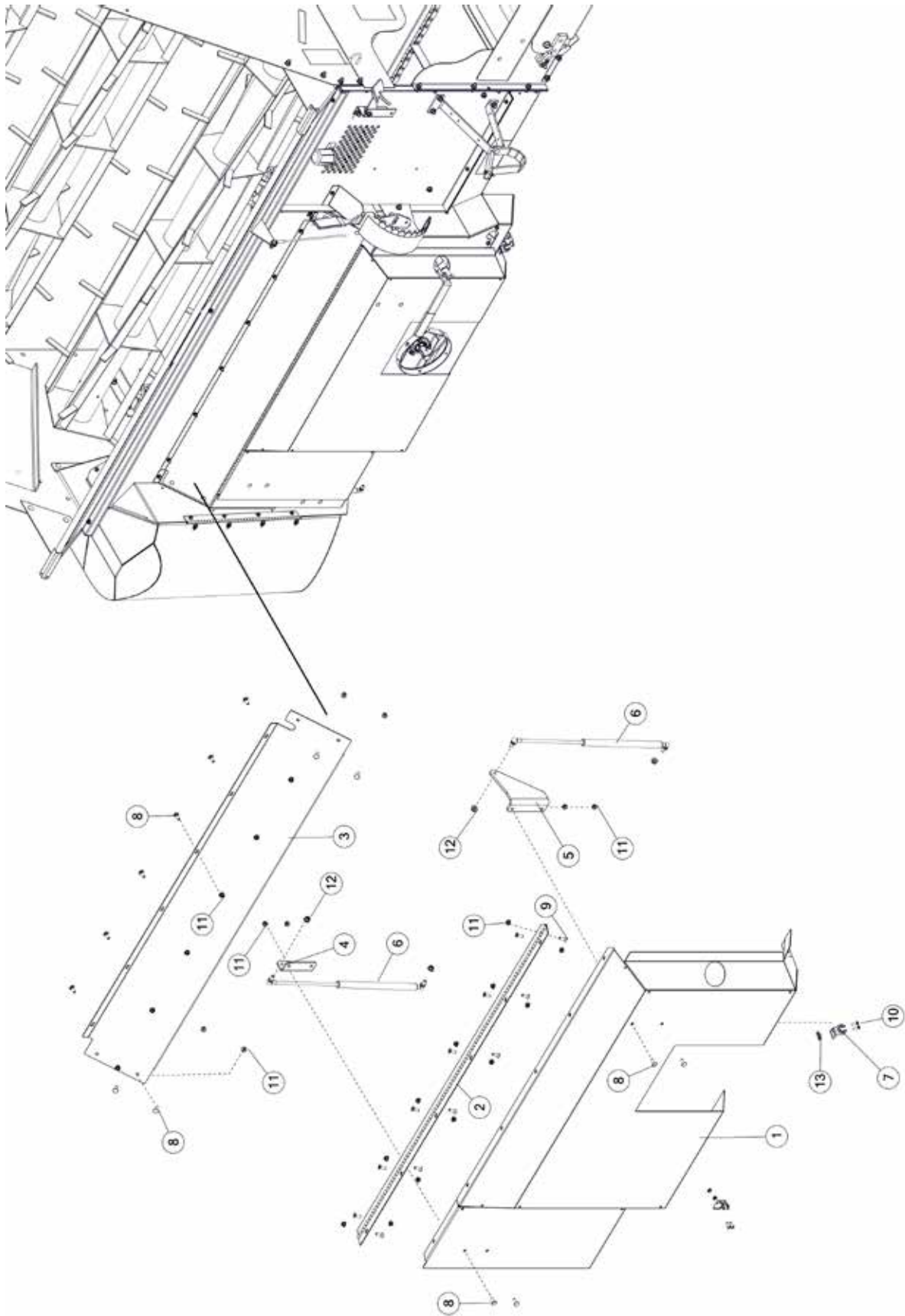
We must therefore, reserve the right to make improvements or changes whenever it becomes practical to do so, without incurring any obligation to make changes or additions to the equipment previously sold.

# **CROSS CONVEYOR UNIT**

# **CONTENTS**

Figure 1 - Front Shields & Components. . . . .	4-5
Figure 2 - Side Shield & Components. . . . .	6-7
Figure 3 - Top Front Shields & Components. . . . .	8-9
Figure 4 - Cross Conveyor Panels & Components. . . . .	10-11
Figure 5 - Return Panel & Components. . . . .	12-13
Figure 6 - Beater Panel & Components LH. . . . .	14-15
Figure 7 and 7A - Extension & Components. . . . .	16-19
Figure 8 - Extension Cylinder & Components. . . . .	20-21
Figure 9 - Housing Panel & Components RH. . . . .	22-23
Figure 10 - Beater Components RH. . . . .	24-25
Figure 11 - Beater Components LH. . . . .	26-27
Figure 12 - Side Door & Components RH. . . . .	28-29
Figure 13 - Beater Shield & Components. . . . .	30-31
Figure 14 - Apron Drive Shaft & Components. . . . .	32-33
Figure 15 - Beater Chains & Sprockets. . . . .	34-35
Figure 16 - Main Apron & Cross Conveyor Drive. . . . .	36-37
Figure 17 - Clutch Components. . . . .	38-39
Figure 18 - Sheaves/Belts & Components. . . . .	40-41
Figure 19 - Front Drive Chain/Sprocket & Components. . . . .	42-43
Figure 20 - Front Drive/Belts & Components. . . . .	44-47
Figure 21 - Beater Gearbox. . . . .	48-49
Figure 22 - Worm Gearbox. . . . .	50-51
Figure 23 - PTO 540 RPM Long. . . . .	52-53
Figure 24 - PTO 540 RPM Short. . . . .	54-55
Figure 25 - Optional Top Beater. . . . .	56-57
Figure 26 - Hydraulic Drive Kit. . . . .	58-59
Figure 27 - Electric Cab Control Kit . . . . .	60-61

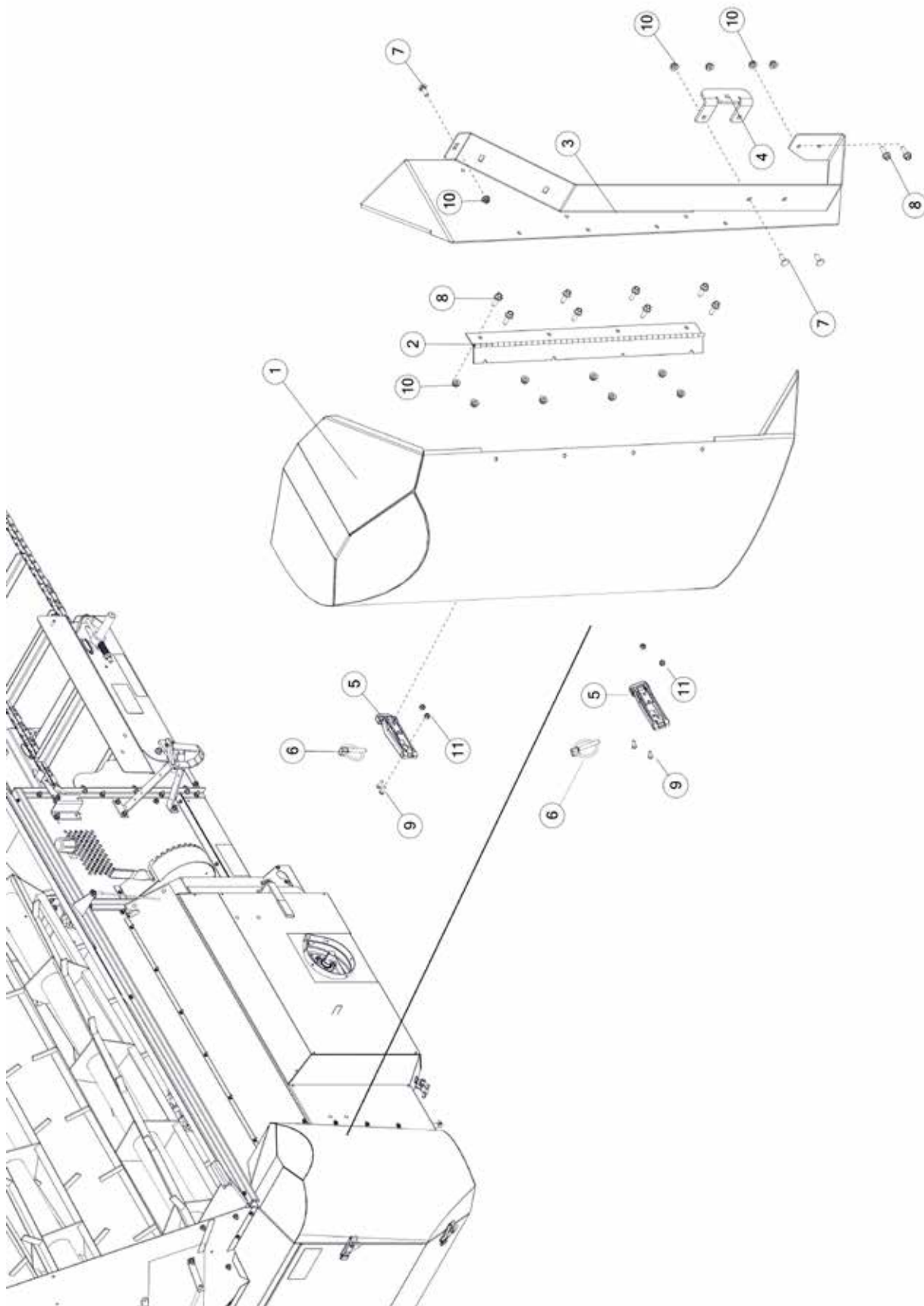
# **FIGURE 1** **FRONT SHIELDS & COMPONENTS**



**FIGURE 1**  
**FRONT SHIELDS & COMPONENTS**

<b><u>ITEM</u></b>	<b><u>QTY</u></b>	<b><u>PART#</u></b>	<b><u>DESCRIPTION</u></b>
1	1	79104	DOOR SHIELD, FRONT
2	1	79039	PIANO HINGE
3	1	74148	SHIELD, FRONT
4	1	80594	GAS SPRING UPPER BRACKET RH
5	1	80597	GAS SPRING UPPER BRACKET LH
6	1	80583	GAS SPRING
7	2	X233	LATCH CATCH
8	14	YBCR08040	BOLT CARRIAGE, 1/4 X 3/4 G5
9	12	YSFS08010	BOLT FLAT SOCKET HEAD, 1/4 X 3/4
10	4	YSPN64005	SCREW PAN HEAD, 10 X 5/8
11	26	YNFG08010	NUT FLANGE, 1/4
12	2	YNFG10005	NUT FLANGE, 5/16
13	4	YNNY64005	NUT HEX, #10-24, G2

# FIGURE 2 SIDE SHIELD & COMPONENTS

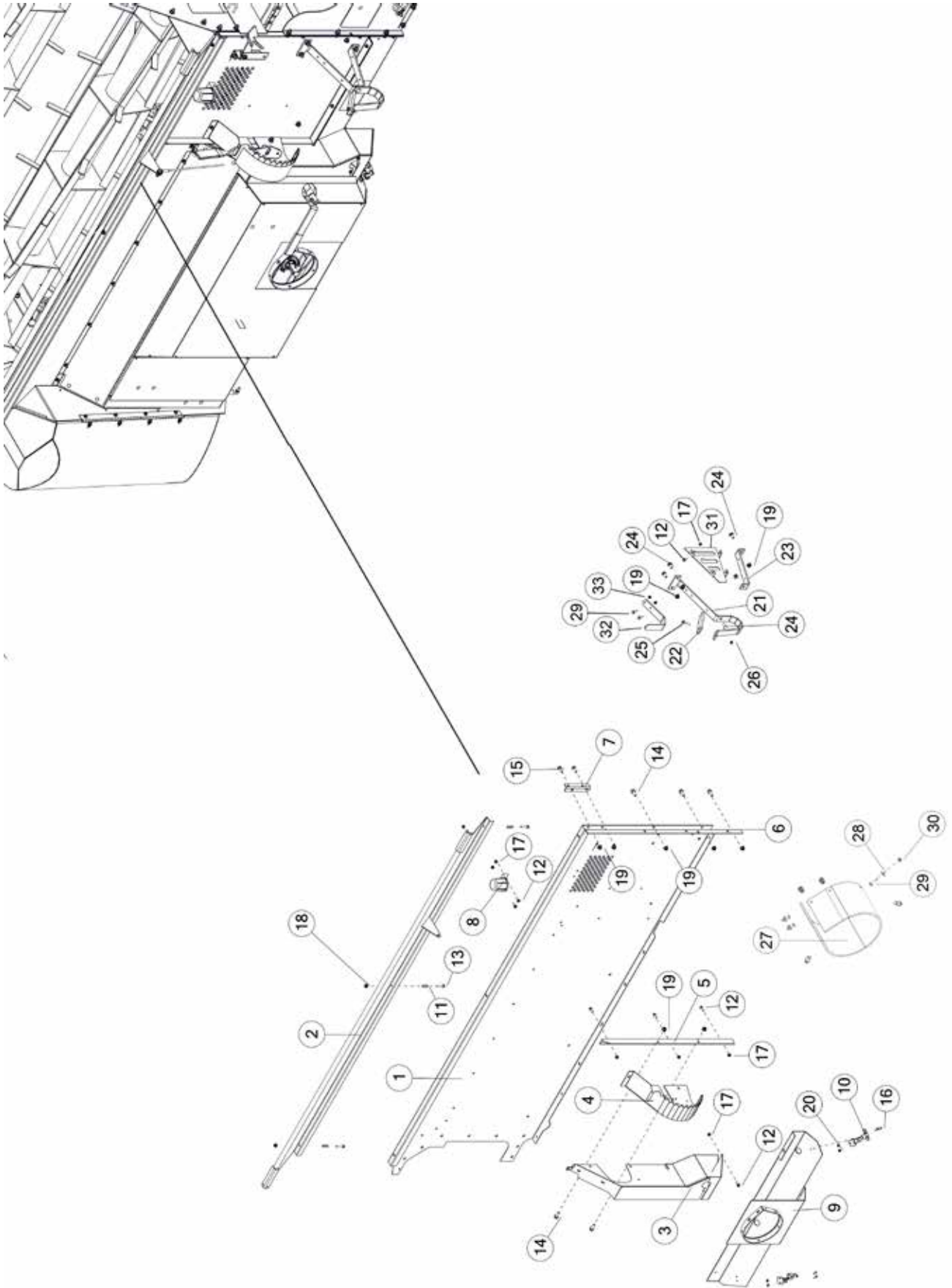




**FIGURE 2**  
**SIDE SHIELD & COMPONENTS**

<b><u>ITEM</u></b>	<b><u>QTY</u></b>	<b><u>PART#</u></b>	<b><u>DESCRIPTION</u></b>
1	1	81415	CORNER SHIELD, ROUND FRONT
2	1	74267	PIANO HINGE
3	1	81533	INSIDE CORNER SHIELD, FRONT
4	1	80595	GAS SPRING LOWER BRACKET RH
5	2	80180	DRAW LATCH
6	2	YPLY08011	LYNCH PIN, 1/4 X 1-9/16
7	3	YBCR08040	BOLT CARRIAGE, 1/4 X 3/4 G5
8	10	YBFB08075	BOLT FLANGE, 1/4 X 3/4 G5
9	4	YSP62006	SCREW PAN HEAD, #8-32 X 1/2
10	13	YNFG08010	NUT FLANGE, 1/4
11	4	YNNY62005	NUT HEX, #8-32 G2

# **FIGURE 3** **TOP FRONT SHIELD & COMPONENTS**

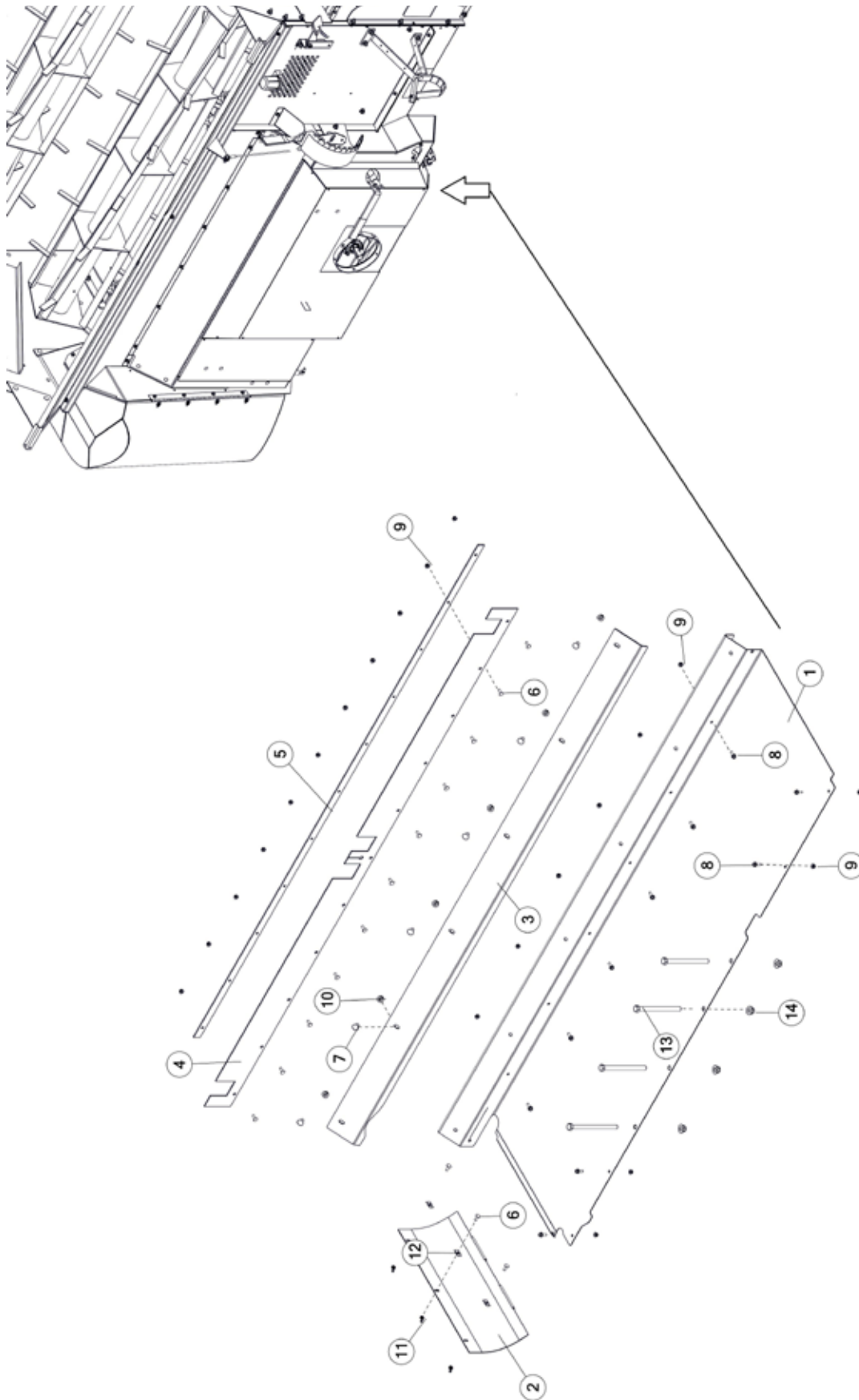


## FIGURE 3

### TOP FRONT SHIELD & COMPONENTS

<u>ITEM</u>	<u>QTY</u>	<u>PART#</u>	<u>DESCRIPTION</u>
1	1	78956B	UNIT PANEL, FRONT
2	1	79098	EMERGENCY STOP PANEL
3	1	79037	SHIELD, FRONT LH
4	1	73302	SPEED SELECTOR BRACKET
5	1	73314	PANEL BRACE, FRONT
6	1	73287	SUPPORT BRACKET, FRONT
7	1	73343	ANGLE BRACKET, CORNER LH
8	1	CHM38	PLUG STORAGE
9	1	79040	PTO SHIELD
10	2	X233	LATCH ASSEMBLY
11	3	S7	SPRING
12	9	YBFB08075	BOLT FLANGE, 1/4 X 3/4 G5
13	3	YBFB08150	BOLT FLANGE, 1/4 X 1-1/2 G5
14	5	YBFB12003	BOLT FLANGE, 3/8 X 1 G5
15	2	YBHH12010	BOLT HEX, 3/8 X 1 G5
16	4	YSPN64005	SCREW PAN HEAD, 10 X 5/8
17	10	YNFG08010	NUT FLANGE, 1/4
18	3	YNFG10005	NUT FLANGE, 5/16
19	11	YNFG12006	NUT FLANGE, 3/8
20	4	YNNY64005	NUT HEX, 10-24 G2
21	1	80558	TOP PTO BRACKET
22	1	S78	RUBBER TAB
23	1	80559	HOLDER BRACKET
24	4	YBCR12010	BOLT CARRIAGE, 3/8 X 1 G5
25	1	YBFB08125	BOLT FLANGE, 1/4 X 1-1/4 G5
26	1	YNFG08010	NUT FLANGE, 1/4
27	1	79070	PTO RUBBER
28	7	YWFL08005	WASHER FLAT, 1/4
29	9	YBHH08010	BOLT HEX, 1/4 X 1
30	7	YNNY08005	NUT HEX, 1/4
31	1	80561	HOSE HOLDER
32	1	80562	HYDRAULIC HOSE HOLDER
33	2	YNRL08005	NUT HEX, 1/4

# **FIGURE 4** **CROSS CONVEYOR PANELS & COMPONENTS**

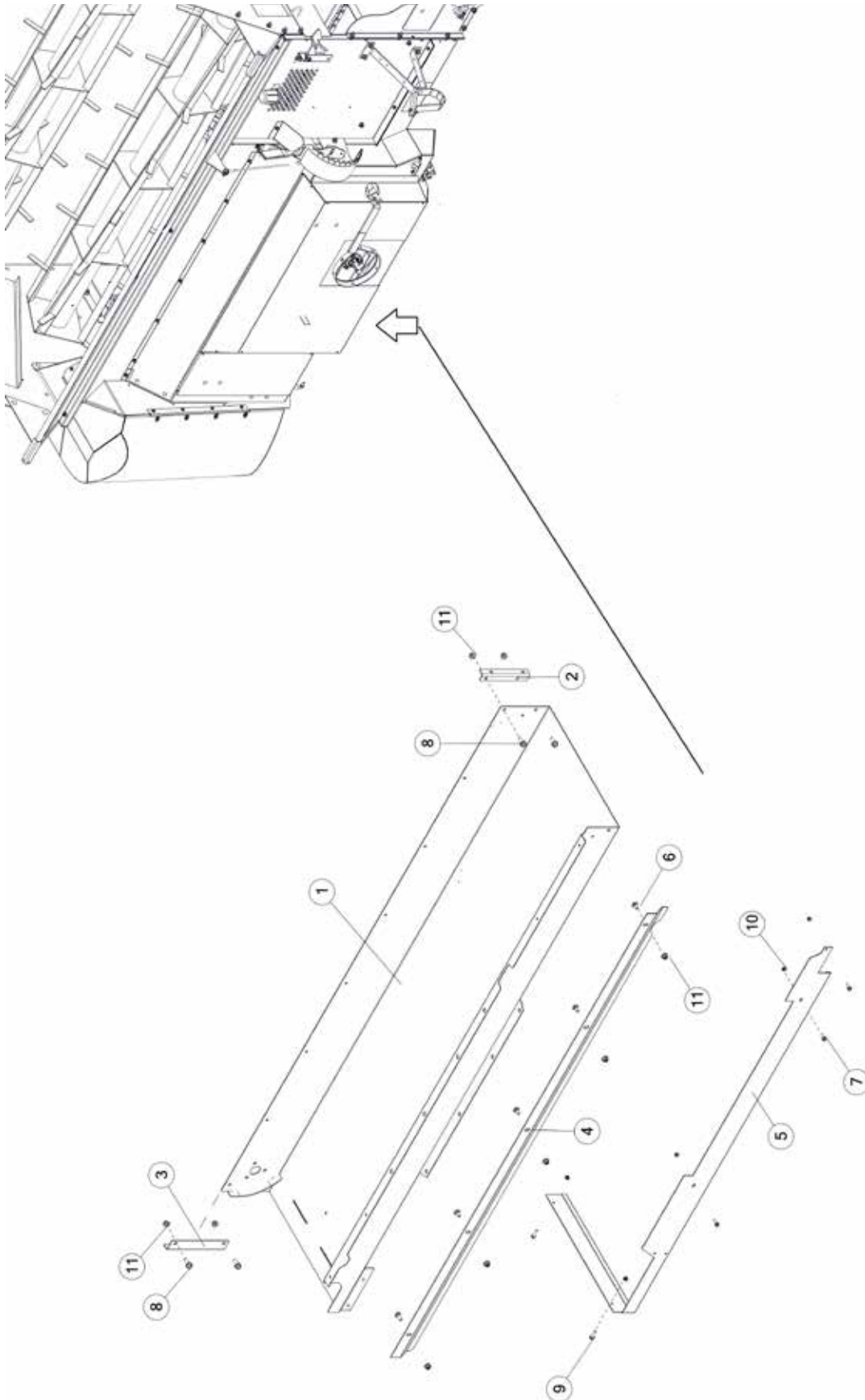


## FIGURE 4

### CROSS CONVEYOR PANELS & COMPONENTS

<u>ITEM</u>	<u>QTY</u>	<u>PART#</u>	<u>DESCRIPTION</u>
1	1	78955	CROSS APRON PAN
2	1	79108	RETURN PAN
3	1	72888	HOLD DOWN
4	1	S306	RUBBER SEAL
5	1	S288	RUBBER SEAL STRAP
6	14	YBCR08040	BOLT CARRIAGE, 1/4 X 3/4 G5
7	6	YBCR12065	BOLT CARRIAGE, 3/8 X 3/4 G5
8	10	YBFB08075	BOLT FLANGE, 1/4 X 3/4 G5
9	21	YNFG08010	NUT FLANGE, 1/4
10	6	YNFG12006	NUT FLANGE, 3/8
11	3	YNWG08005	NUT WING, 1/4
12	3	YNFP08005	NUT SPRING, RCT FLAT, 1/4 X 1
13	4	YBHH16175	BOLT HEX, 1/2 X 6-1/2 G5
14	4	YNFG16003	NUT FLANGE, 1/2

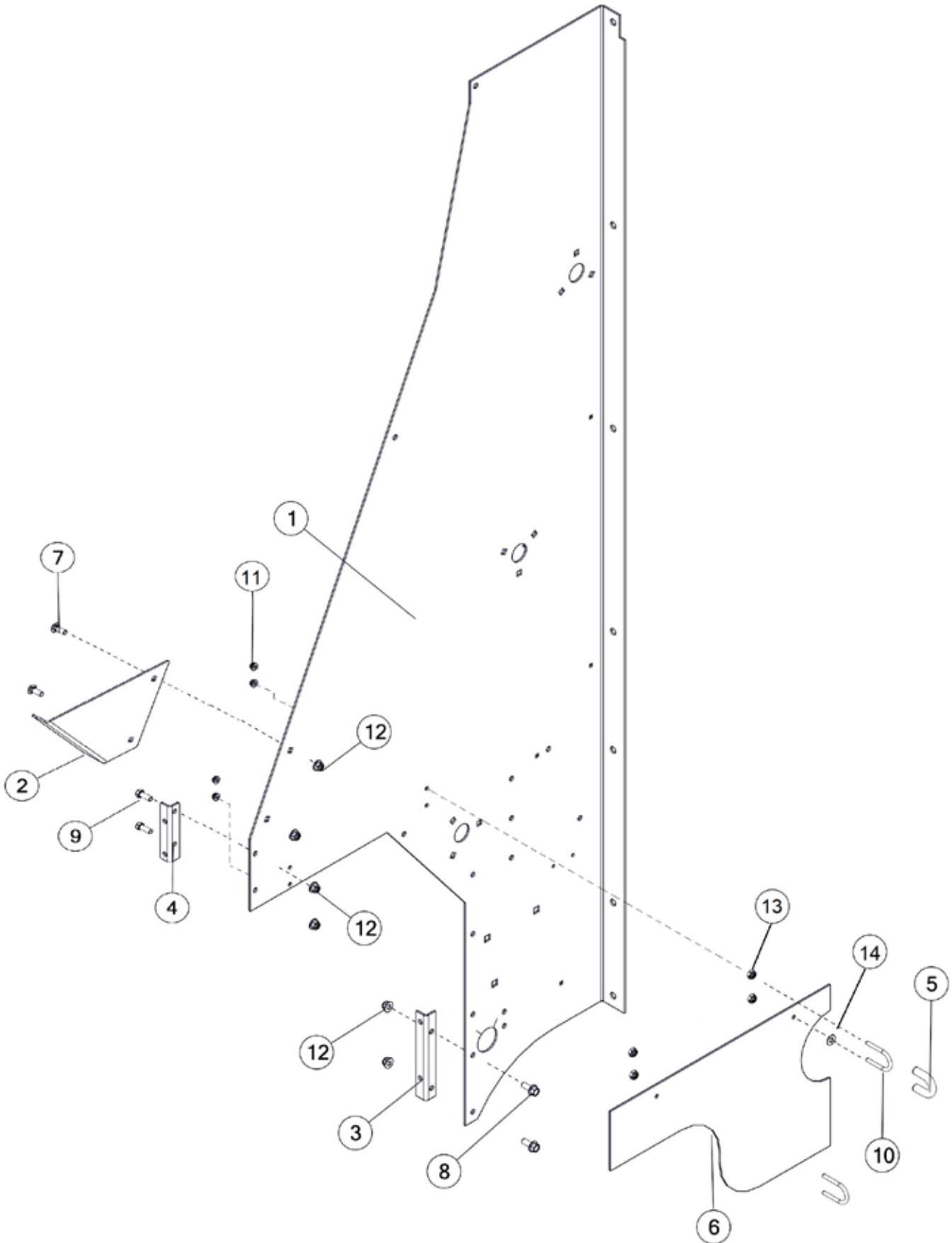
# **FIGURE 5** **RETURN PANEL & COMPONENTS**



**FIGURE 5**  
**RETURN PANEL & COMPONENTS**

<b><u>ITEM</u></b>	<b><u>QTY</u></b>	<b><u>PART#</u></b>	<b><u>DESCRIPTION</u></b>
1	1	78950B	RETURN PAN, FRONT
2	1	73342	RETURN PAN BRACKET ANGLE LH
3	1	78977	RETURN PAN BRACKET ANGLE RH
4	1	73353	HOLDOWN, FRONT
5	1	79101	SHIELD, LOWER FRONT
6	5	YBCR12065	BOLT CARRIAGE, 3/8-16 X 3/4 G5
7	3	YBFB08075	BOLT FLANGE, 1/4 X 3/4 G5
8	4	YBFB12003	BOLT FLANGE, 3/8 X 1 G5
9	2	YBFB08100	BOLT FLANGE, 1/4 X 1 G5
10	5	YNFG08010	NUT FLANGE, 1/4
11	9	YNFG12006	NUT FLANGE, 3/8

**FIGURE 6**  
**BEATER PANEL & COMPONENTS LH**

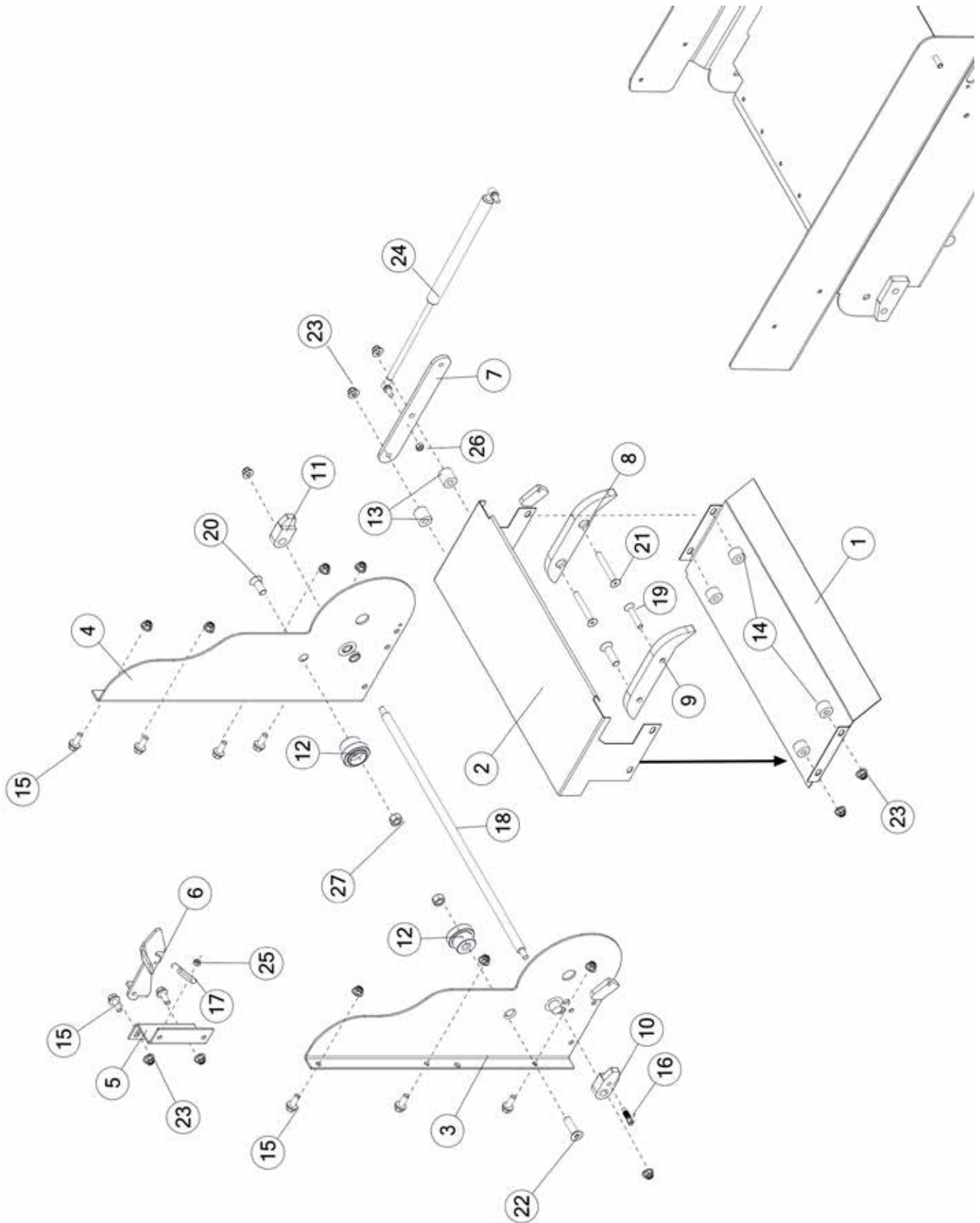




**FIGURE 6**  
**BEATER PANEL & COMPONENTS LH**

<u>ITEM</u>	<u>QTY</u>	<u>PART#</u>	<u>DESCRIPTION</u>
1	1	86543B	PANEL, SIDE LH
2	1	80620	EMERGENCY STOP BRACKET LH
3	1	73342	RETURN PAN ANGLE BRACKET LH
4	1	73343	ANGLE BRACKET, CORNER LH
5	1	S1	SPRING
6	1	79107	CROSS APRON SHIELD
7	2	YBCR12010	BOLT CARRIAGE, 3/8 X 1 G5
8	2	YBFB12003	BOLT FLANGE, 3/8 X 1 G5
9	2	YBHH12010	BOLT HEX, 3/8 X 1 G5
10	2	YBPU08005	BOLT U, 1/4 X 3/4
11	4	YNFG08010	NUT FLANGE, 1/4
12	6	YNFG12006	NUT FLANGE, 3/8
13	4	YNHX08005	NUT HEX, 1/4
14	1	YWFL10005	WASHER FLAT, 5/16

# **FIGURE 7** **EXTENSION & COMPONENTS**

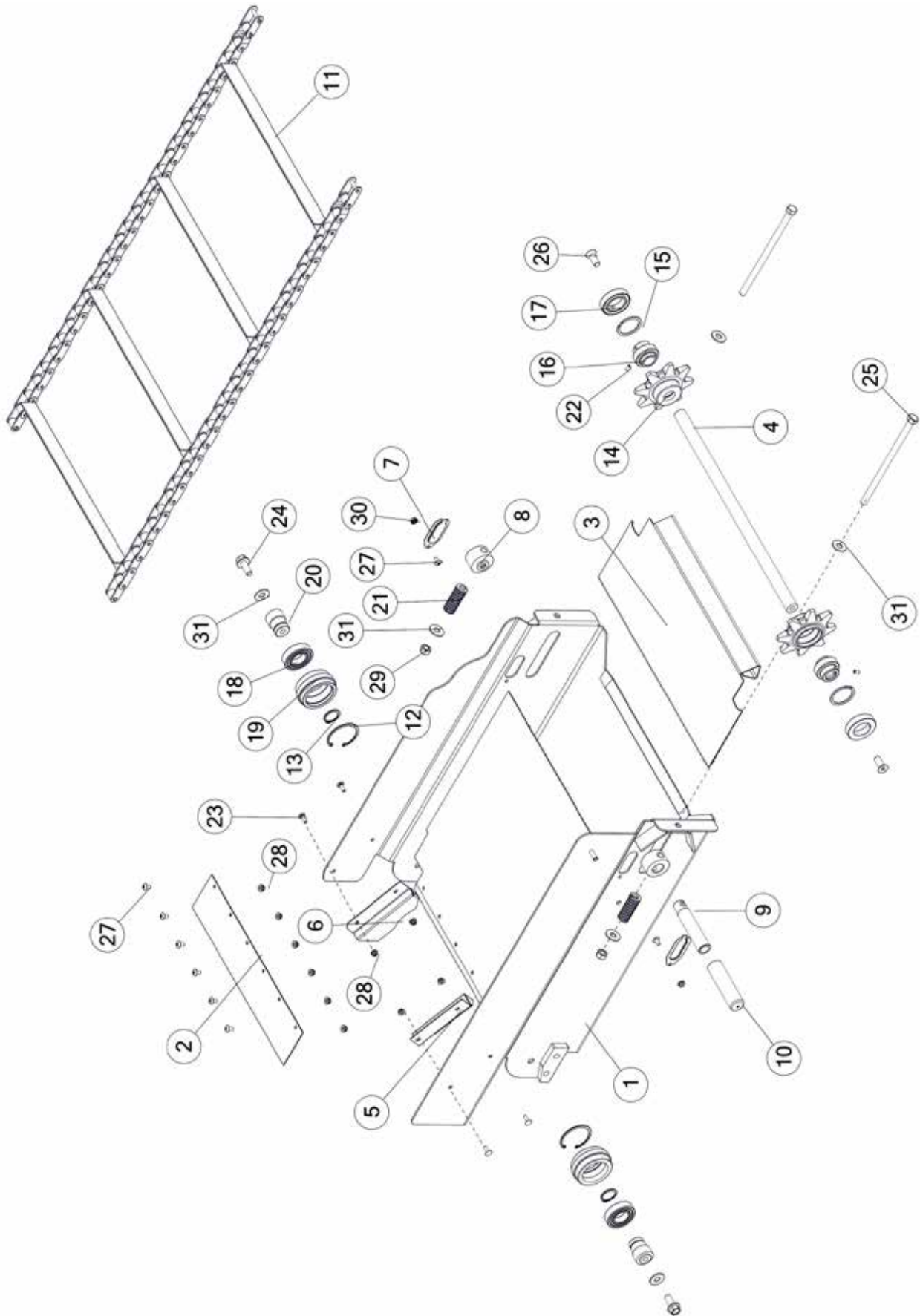


## FIGURE 7

### EXTENSION & COMPONENTS

<u>ITEM</u>	<u>QTY</u>	<u>PART#</u>	<u>DESCRIPTION</u>
1	1	72774	STEEL PANEL, RETURN PAN, BOTTOM
2	1	72775	PAN EXTENSION
3	1	73011	PANEL EXTENSION, FRONT
4	1	72788	PANEL EXTENSION, BACK
5	1	72787	LOCK BRACKET EXTENSION
6	1	76543	LONG EXT LATCH
7	1	72982	GAS STRUT MOUNT PLATE, 10-3/4 X 1-1/2 X 1/4
8	1	75739	CHAIN SLIDE POLY, 5/8
9	1	75748	CHAIN SLIDE POLY, 5/8
10	1	76647	STOP CAM PLATE, 2-3/4 X 1-1/4 X 3/4
11	1	76720	STOP CAM PLATE, 2-5/8 X 1-1/4 X 3/4
12	2	80574	CHAIN ROLLER HOLDOWN
13	2	72984	SPACER, 1
14	2	75746	SPACER
15	4	YBFB12003	BOLT FLANGE, 3/8 X 1 G5
16	1	76723	RETRACT SPRING PIN, 0.38-16
17	1	GM208	LATCH SPRING
18	1	76680	EXTENSION STOP
19	4	YSFS12017	BOLT FLAT SOCKET, 3/8 X 2
20	1	YSFS16015	BOLT FLAT SOCKET, 1/2 X 1-1/4
21	2	YSFS12350	BOLT FLAT SOCKET, 3/8 X 3
22	1	YSFS16020	BOLT FLAT SOCKET, 1/2 X 1-3/4
23	16	YNFG12006	NUT FLANGE, 3/8
24	1	TS244	GAS STRUT
25	1	YNHX08006	NUT HEX, 1/4 G5
26	1	YNRL10005	NUT HEX, 5/16
27	4	YNRL16005	NUT HEX, 1/2

# FIGURE 7A EXTENSION & COMPONENTS

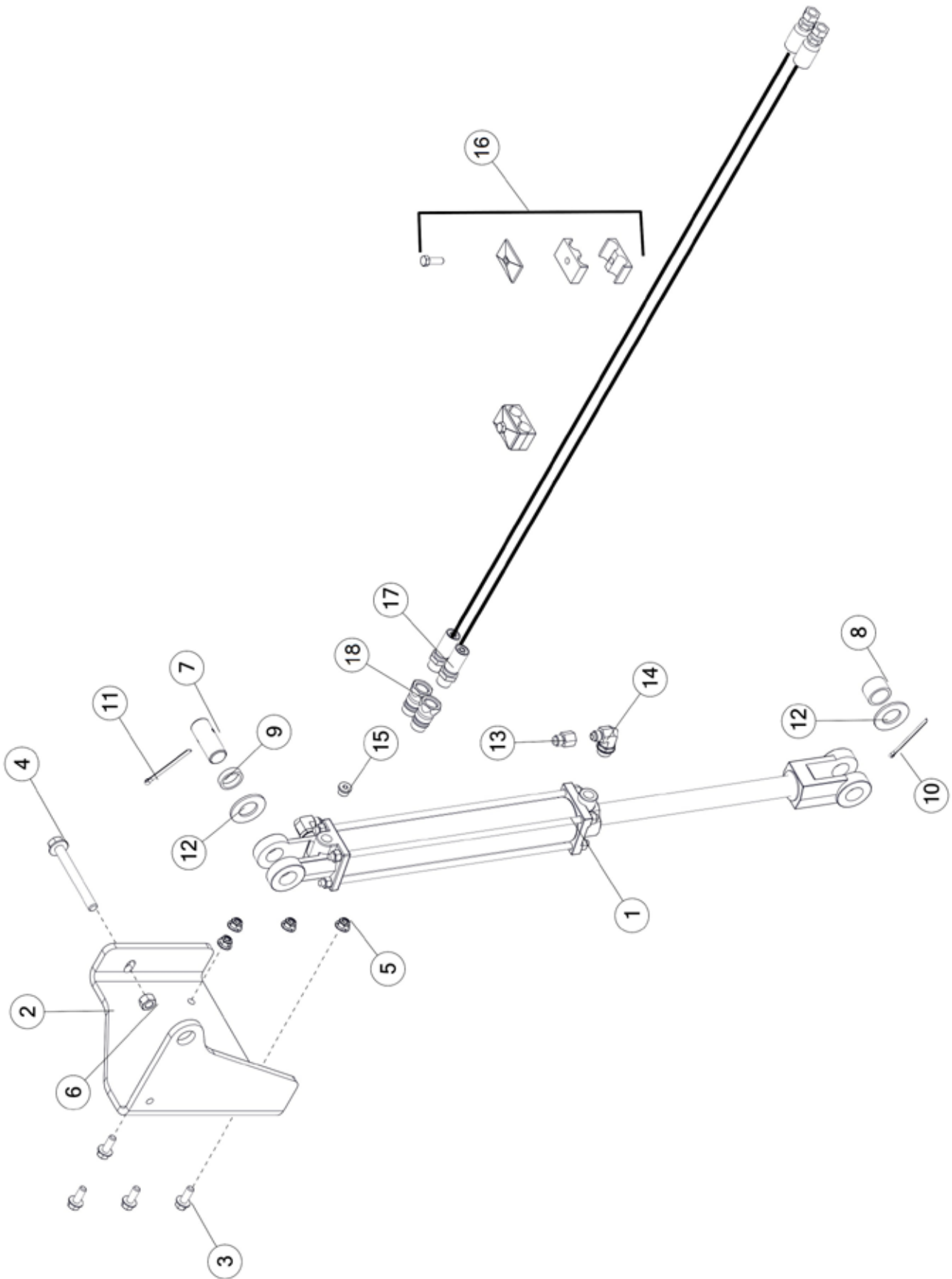


## FIGURE 7A

### EXTENSION & COMPONENTS

<u>ITEM</u>	<u>QTY</u>	<u>PART#</u>	<u>DESCRIPTION</u>
1	1	72794B	SHELL EXTENSION
2	1	76568	POLY PANEL
3	1	72974	CROSS APRON PAN EXTENTION
4	1	72791	APRON IDLER SHAFT
5	1	77965	EXTENSION SHIELD LH
6	1	77966	EXTENSION SHIELD RH
7	1	SD186	COVER
8	1	SD313	TIGHTENER BLOCK
9	1	SDHPI01	MANUAL LIFT HANDLE
10	1	X41	HANDLE GRIP
11	1	SD306	CROSS CONVEYOR CHAIN
12	1	73378	SNAP RING, INTERNAL STANDARD, 2-1/2
13	1	F73	SNAP RING, 1-1/4
14	2	SD180	SPROCKET, 8T
15	2	SD262	SNAP RING IN-206
16	2	K90	BEARING
17	2	SD312	BEARING SHIELD
18	2	72810	BALL BEARING, 1-1/4
19	2	72781	POLY CHAIN ROLLER
20	2	87449	ROUND SHAFT
21	1	76537	BRAKE SPRING
22	2	YSKP08011	SCREW SET, SOCKET, KNURLED CUP PT, 1/4 X 1/2
23	2	YBCR08035	BOLT CARRIAGE, SN, 1/4 X 3/4
24	2	YBFB16125	BOLT FLANGE, 1/2 X 1-1/4 G5
25	2	YBHH16191	BOLT HEX, 1/2 X 9-1/2 G5
26	2	YSFS16015	BOLT FLAT, SOCKET, 1/2 X 1-1/4
27	7	YSTP08005	SCREW TRUSS HEAD, PHILLIPS MACH, 1/4 X 1/2
28	10	YNFG08010	NUT FLANGE, 1/4
29	2	YNRL16005	NUT HEX, 1/2
30	2	YNSF08005	NUT FLANGE, 1/4 G2
31	4	YWFL16005	WASHER FLAT, 1/2

# **FIGURE 8** **EXTENSION CYLINDER & COMPONENTS**

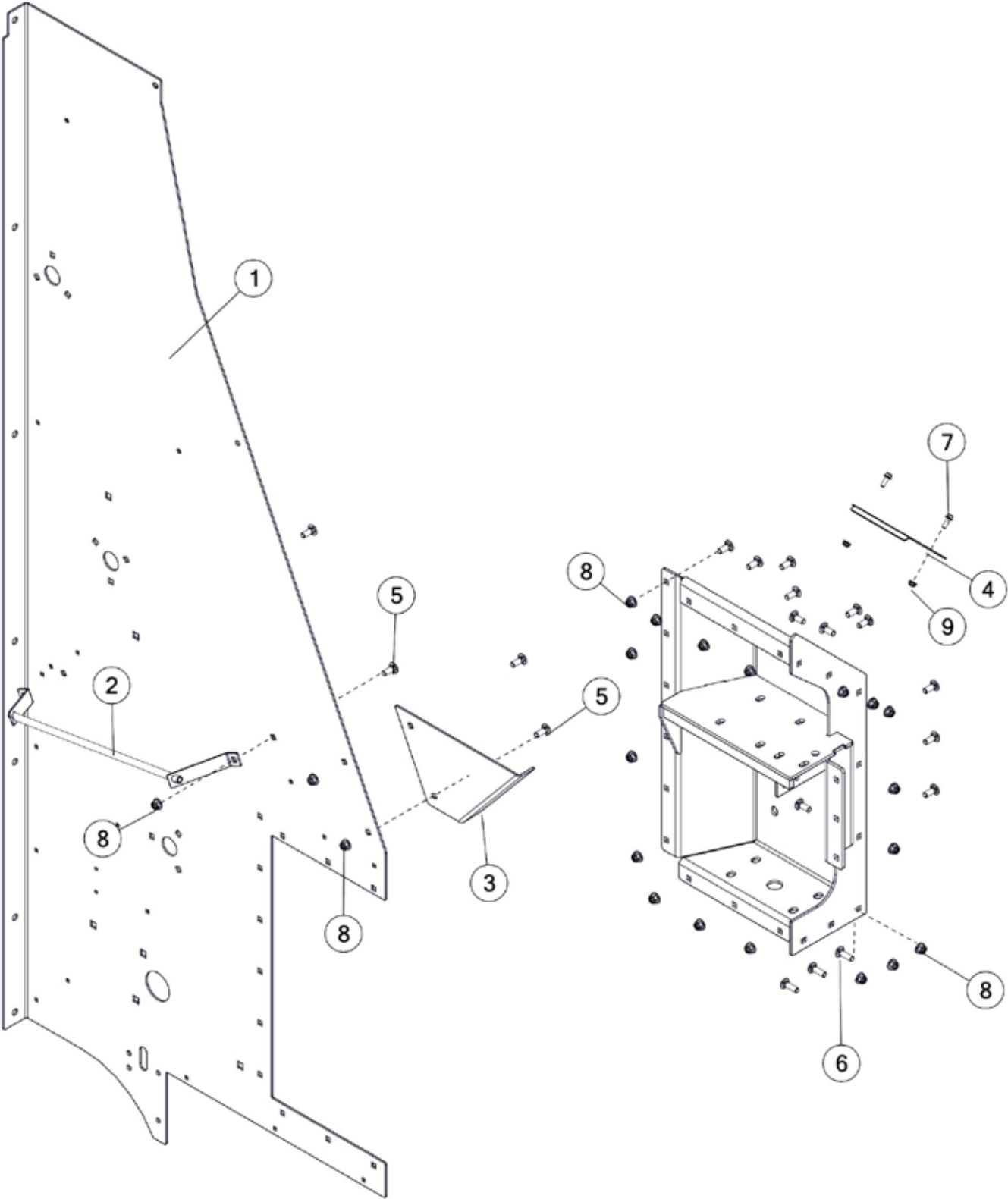


## FIGURE 8

### EXTENSION CYLINDER & COMPONENTS

<u>ITEM</u>	<u>QTY</u>	<u>PART#</u>	<u>DESCRIPTION</u>
1	1	56450	CYLINDER (3000 PSI) 2 X 12
*	1	56187	SEAL KIT
2	1	80618	HYDRAULIC BRACKET MOUNT
3	4	YBFB12003	BOLT FLANGE, 3/8 X 1 G5
4	1	YBFB16450	BOLT FLANGE, 1/2 X 4-1/2 G5
5	4	YNFG12006	NUT FLANGE, 3/8
6	1	YNRL16005	NUT HEX, 1/2
7	1	56N141	CYLINDER PIN
8	1	69703	SPACER
9	1	69704	SPACER
10	1	YPCT05035	COTTER PIN, 5/32 X 2-1/2
11	1	YPCT06022	COTTER PIN, 3/16 X 2-1/2
12	2	YWFL32005	WASHER FLAT, 1
13	1	58144	FITTING 6 XHX7-S .062 ORIFICE
14	1	CHM206	FITTING 6 90 DEG TO 3/4-16 ORB
15	1	SD270	HOLLOW HEX PLUG (W/VALVE BODY)
16	2	CHM270	HOSE CLAMP (DOUBLE) COMPLETE, 3/8
17	2	80624	EXTENSION HOSE
18	2	67148	QUICK COUPLER, 8ORB

**FIGURE 9**  
**HOUSING PANEL & COMPONENTS RH**

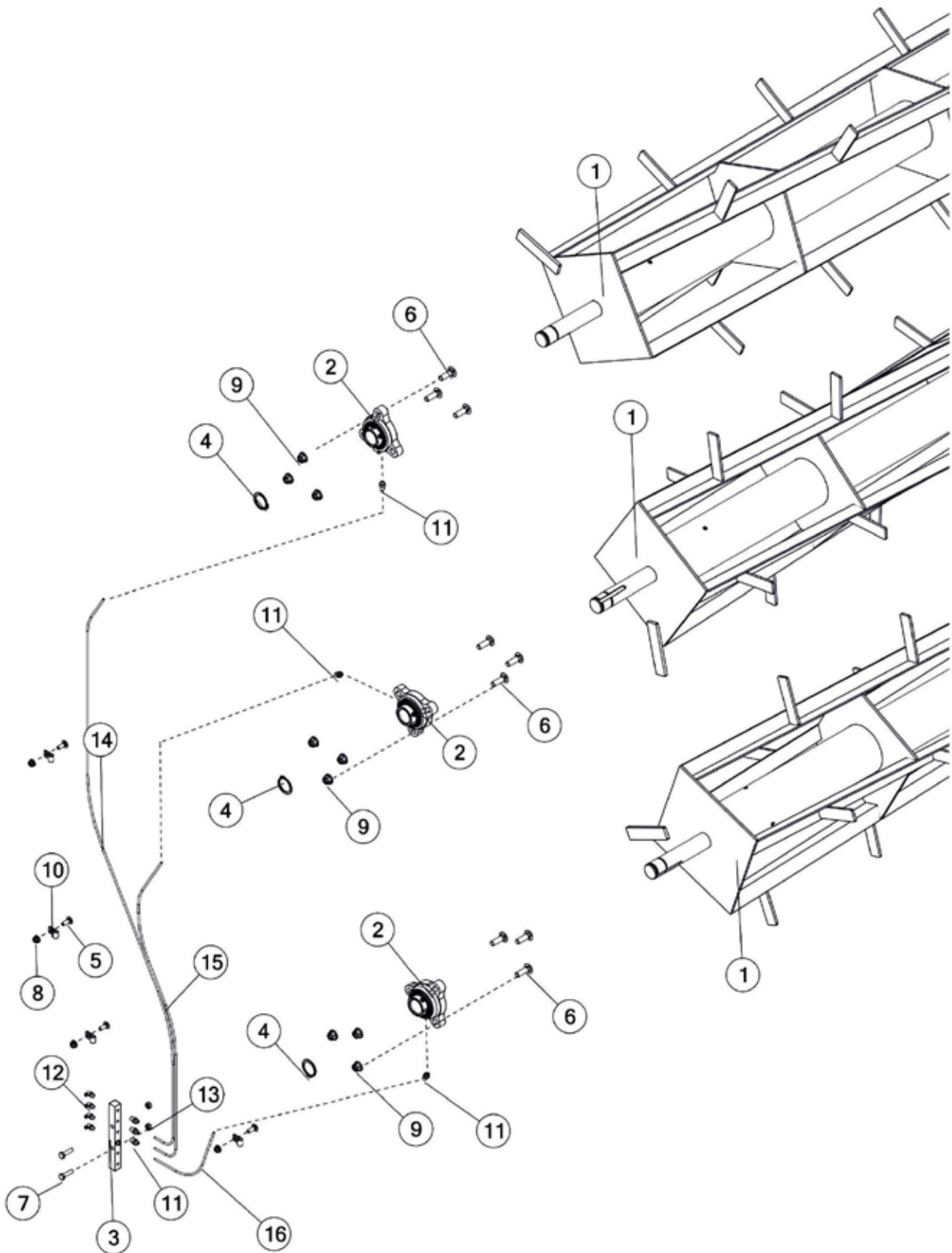




**FIGURE 9**  
**HOUSING PANEL & COMPONENTS RH**

<b><u>ITEM</u></b>	<b><u>QTY</u></b>	<b><u>PART#</u></b>	<b><u>DESCRIPTION</u></b>
1	1	86553B	PANEL, SIDE RH
2	1	80556	SAFETY CABLE GUIDE
3	1	80619	EMERGENCY STOP BRACKET RH
4	1	78960	COVER
5	16	YBCR12010	BOLT CARRIAGE, 3/8 X 1 G5
6	3	YBCR12020	BOLT CARRIAGE, 3/8 X 1-1/4 G5
7	2	YBFB08075	BOLT FLANGE, 1/4 X 3/4 G5
8	3	YNFG12006	NUT FLANGE, 3/8
9	2	YNFG08010	NUT FLANGE, 1/4

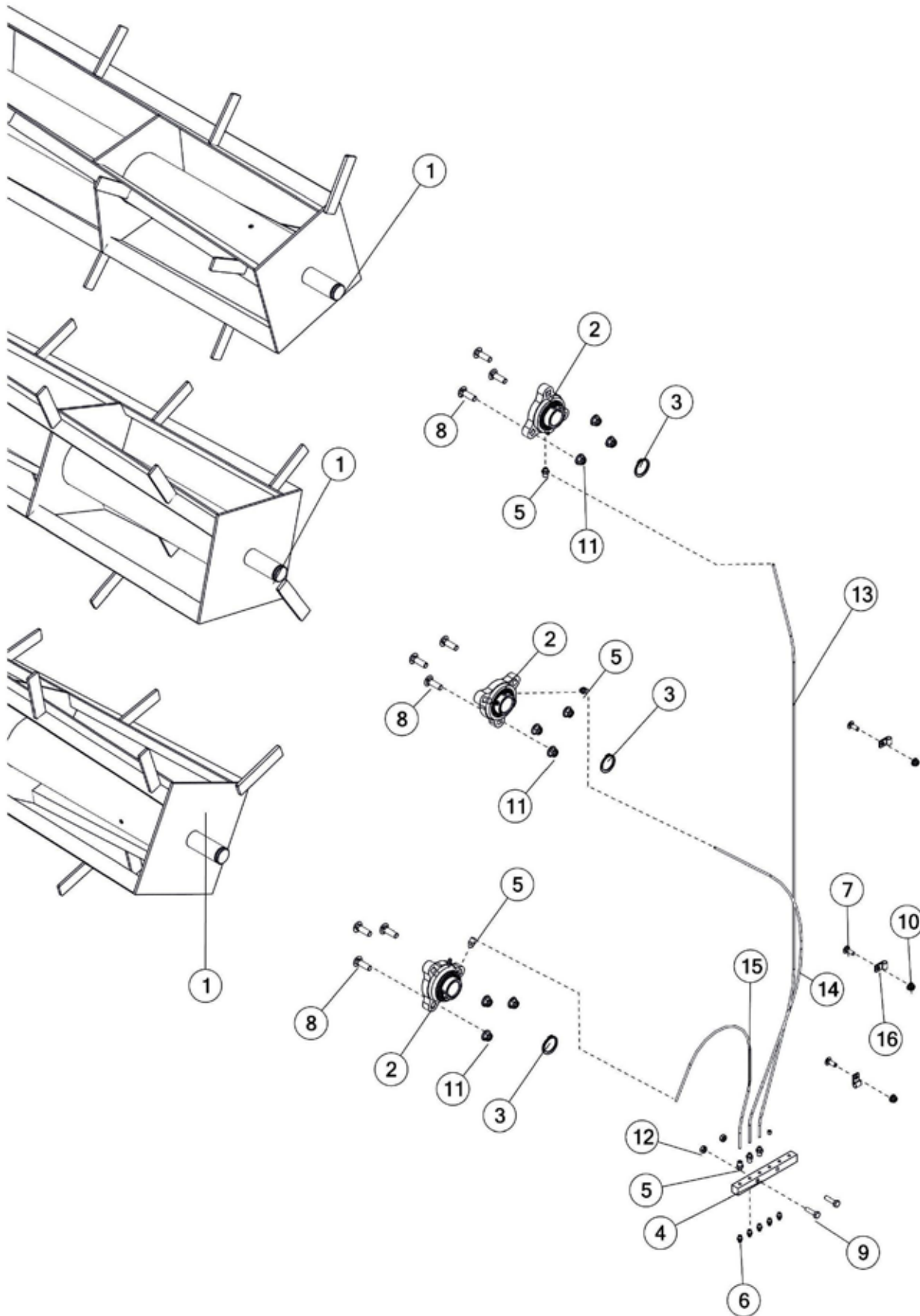
**FIGURE 10**  
**BEATER COMPONENTS RH**



**FIGURE 10**  
**BEATER COMPONENTS RH**

<b><u>ITEM</u></b>	<b><u>QTY</u></b>	<b><u>PART#</u></b>	<b><u>DESCRIPTION</u></b>
1	3	76201	BEATER
2	3	80662	BEARING 1-1/4
3	1	72769	GREASE MANIFOLD
4	3	F73	SNAP RING, 1-1/4
5	3	YBCR08040	BOLT CARRIAGE, 1/4 X 3/4 G5
6	9	YBCR12020	BOLT CARRIAGE, 3/8 X 1-1/4 G5
7	2	YBHH08010	HEX BOLT, 1/4 X 1 G5
8	4	YNGF08010	NUT FLANGE, 1/4
9	9	YNFG12006	NUT FLANGE, 3/8
10	4	83052	CUSHION WIRE CLAMP, 5/16
11	6	54572	GREASE LINE FITTING, STRAIGHT
12	4	RG51	ZERK, 90 DEGREE, 1/4-28
13	2	YNRL08005	NUT HEX, 1/4
14	1	76353	GREASE LINE
15	1	78978	GREASE LINE
16	1	78979	GREASE LINE

**FIGURE 11**  
**BEATER COMPONENTS LH**

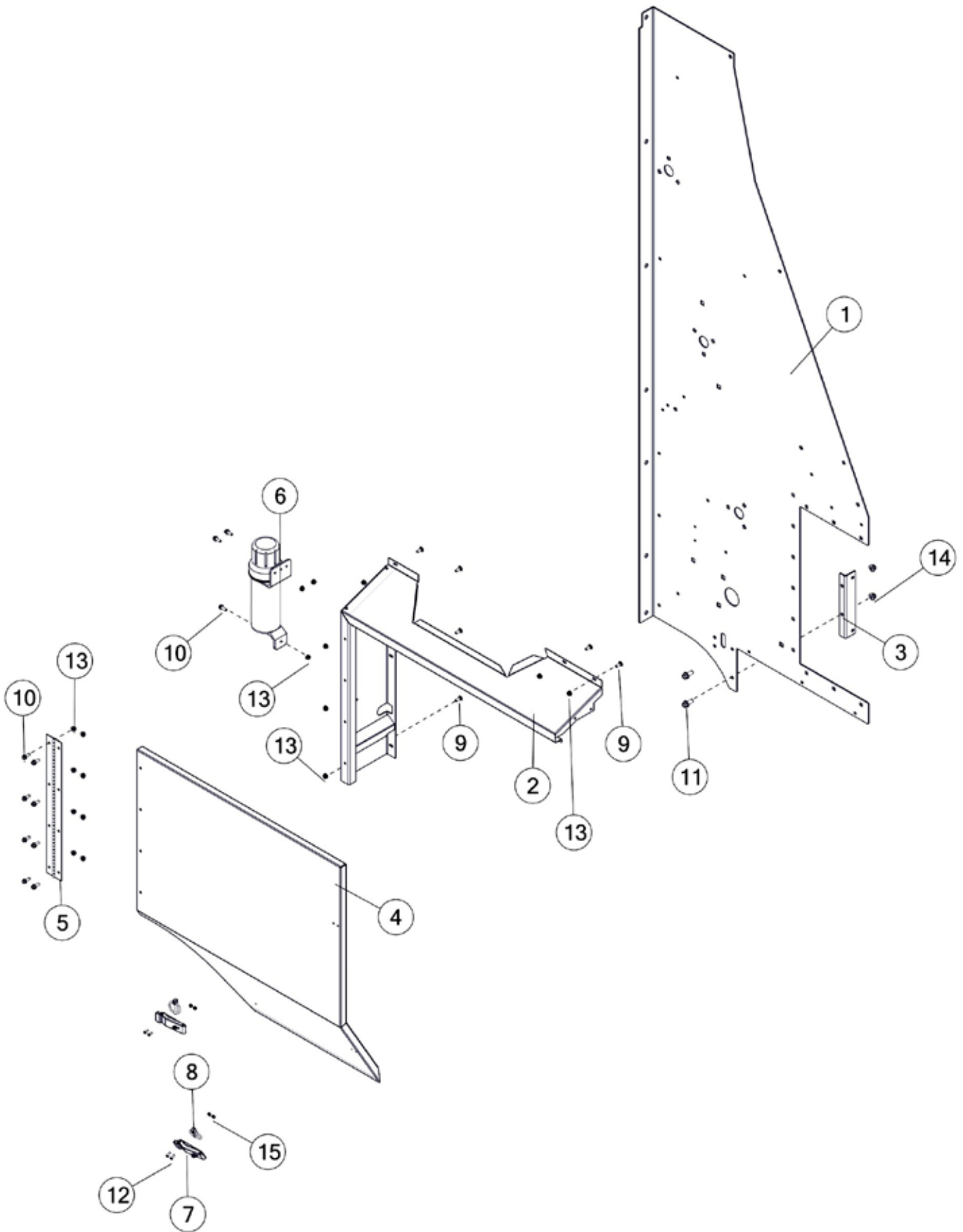


## FIGURE 11

### BEATER COMPONENTS LH

<u>ITEM</u>	<u>QTY</u>	<u>PART#</u>	<u>DESCRIPTION</u>
1	3	76201	BEATER
2	3	80662	BEARING 1-1/4
3	3	F73	SNAP RING, 1-1/4
4	1	72769	GREASE MANIFOLD
5	3	54572	GREASE LINE FITTING, STRAIGHT
6	5	RG51	ZERK, 90 DEGREE, 1/4-28
7	3	YBCR08040	BOLT CARRIAGE, 1/4 X 3/4 G5
8	9	YBCR12020	BOLT CARRIAGE, 3/8 X 1-1/4 G5
9	2	YBHH08010	BOLT HEX, 1/4 X 1 G5
10	3	YNFG08010	NUT FLANGE, 1/4
11	9	YNFG12006	NUT FLANGE, 3/8
12	2	YNRL08005	NUT HEX, 1/4
13	1	78980	GREASE LINE
14	1	78981	GREASE LINE
15	1	78982	GREASE LINE
16	3	83052	CUSHION WIRE CLAMP, 5/16

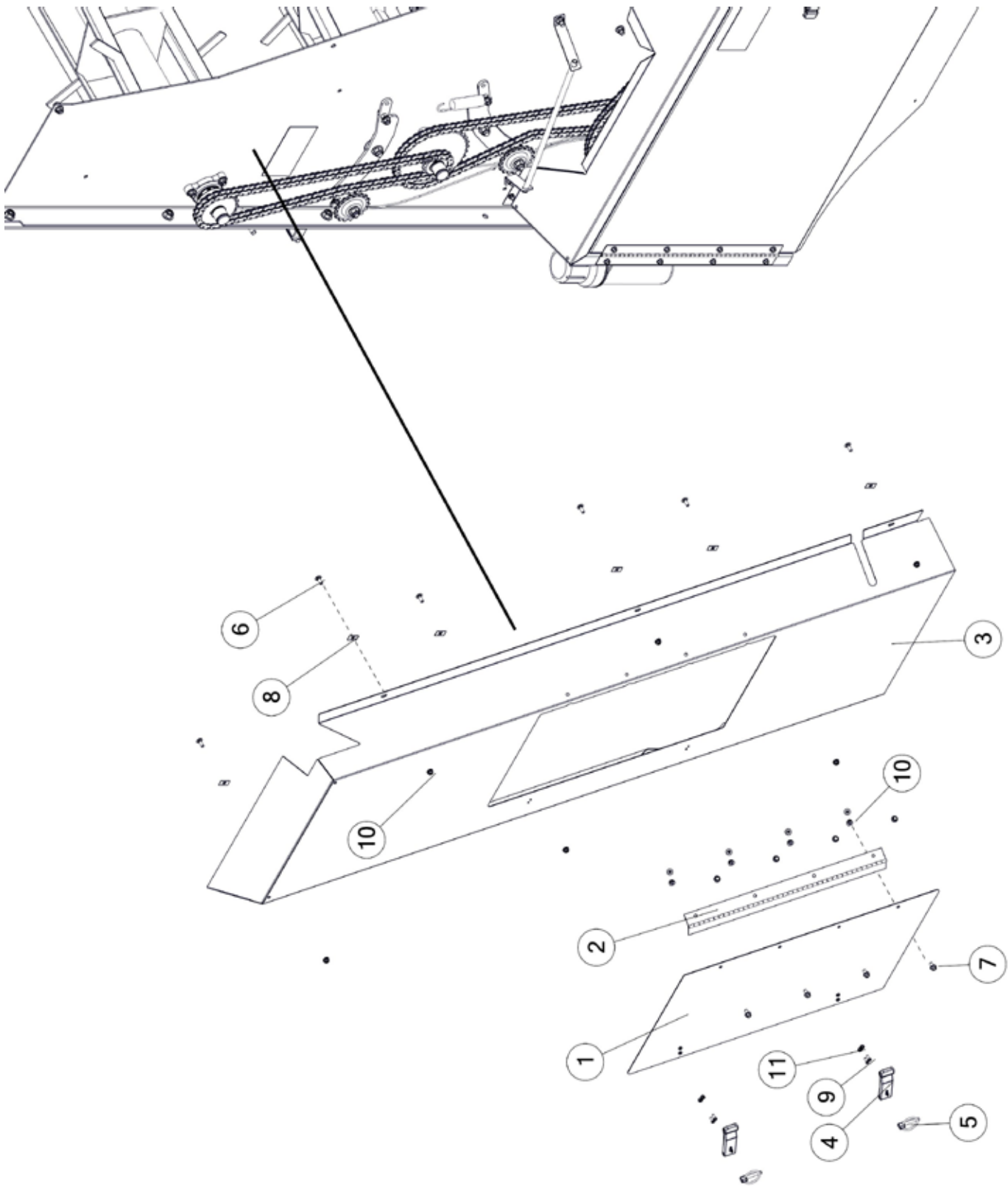
**FIGURE 12**  
**SIDE DOOR & COMPONENTS RH**



**FIGURE 12**  
**SIDE DOOR & COMPONENTS RH**

<b><u>ITEM</u></b>	<b><u>QTY</u></b>	<b><u>PART#</u></b>	<b><u>DESCRIPTION</u></b>
1	1	86553B	PANEL, SIDE RH
2	1	86556	LOWER SIDE SHIELD TOP
3	1	78977	RETURN PAN ANGLE BRACKET RH
4	1	81512	GEARBOX SIDE SHIELD PANEL
5	1	74267	PIANO HINGE
6	1	S522	MANUAL HOLDER
7	2	80180	DRAW LATCH
8	2	YPLY08011	LYNCH PIN, 1/4 X 1-9/16
9	6	YBCR08040	BOLT CARRAIGE, 1/4 X 3/4 G5
10	11	YBFB08075	BOLT FLANGE, 1/4 X 3/4 G5
11	2	YBFB12003	BOLT FLANGE, 3/8 X 1 G5
12	4	YSPP62006	SCREW PAN HEAD, #8-32 X 1/2
13	16	YNFG08010	NUT FLANGE, 1/4
14	2	YNFG12006	NUT FLANGE, 3/8
15	2	YNNY62005	NUT HEX, NYLON INSERT LOCKNUT, 8

**FIGURE 13**  
**BEATER SHIELD & COMPONENTS**



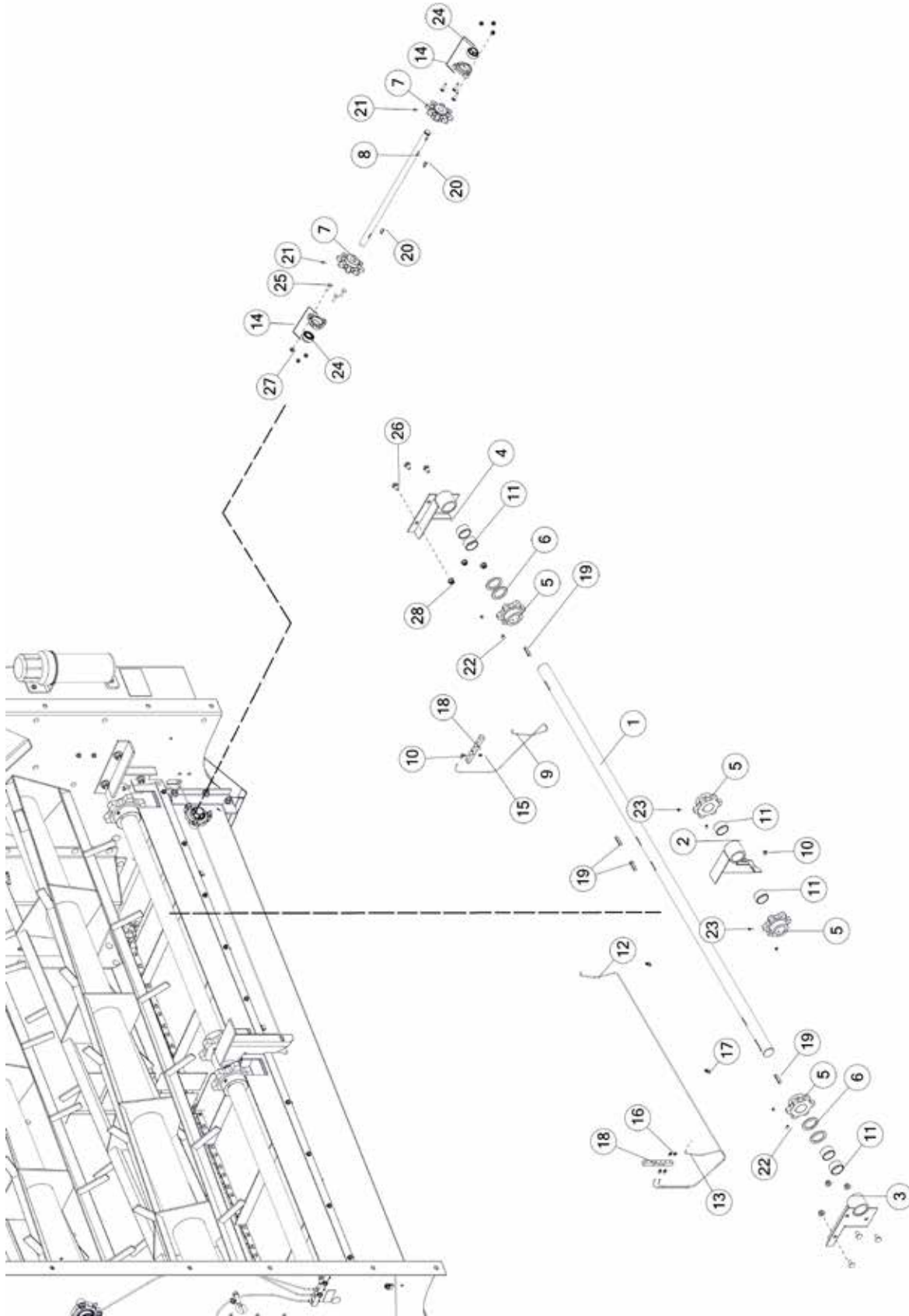


## FIGURE 13

### BEATER SHIELD & COMPONENTS

<u>ITEM</u>	<u>QTY</u>	<u>PART#</u>	<u>DESCRIPTION</u>
1	1	83246	BEATER SHIELD DOOR
2	1	74267	PIANO HINGE
3	1	83244	BEATER CHAIN SHIELD
4	2	80180	DRAW LATCH
5	2	YPLY08011	LYNCH PIN, 1/4 X 1-9/16
6	6	YBCR08040	BOLT CARRIAGE, 1/4 X 3/4 G5
7	8	YBFB08005	BOLT FLANGE, 1/4 X 1/2 G5
8	6	YNP08005	NUT SPRING, RCT FLAT, 1/4 X 1
9	4	YSPP62006	SCREW PAN HEAD, #8-32 X .5
10	14	YNFG08010	NUT FLANGE, 1/4
11	4	YNNY62005	NUT HEX, #8-32 G2

# FIGURE 14 APRON DRIVE SHAFT & COMPONENTS

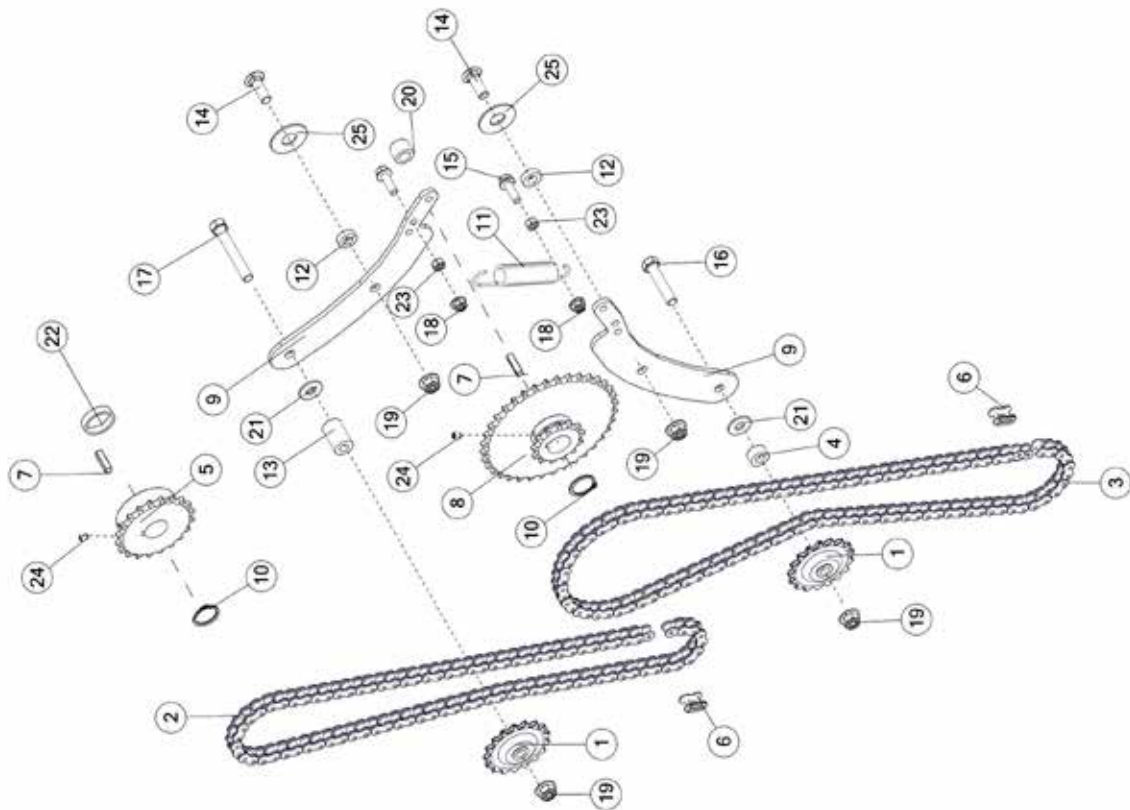
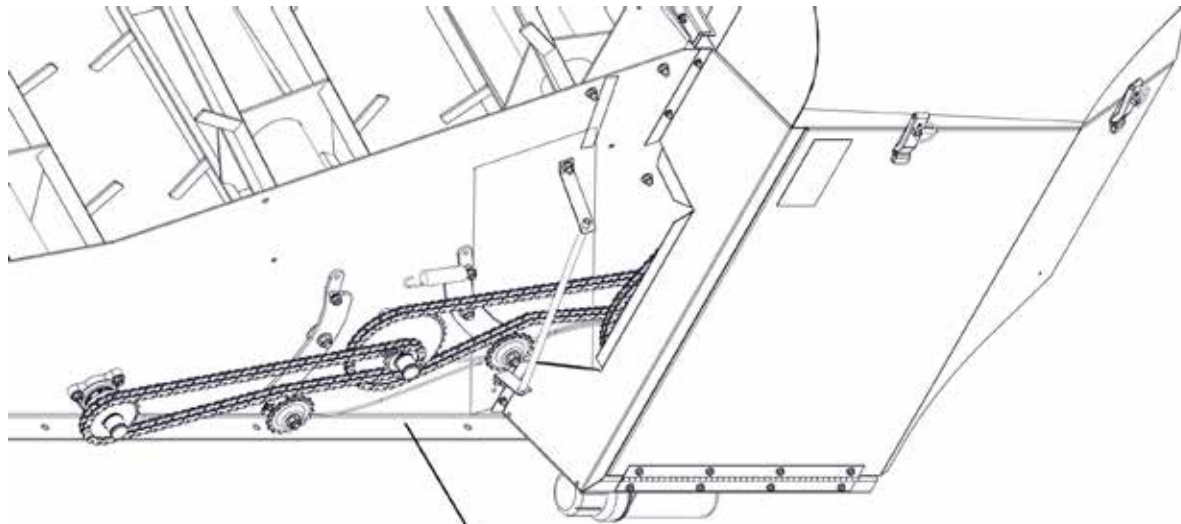


## FIGURE 14

### APRON DRIVE SHAFT & COMPONENTS

<u>ITEM</u>	<u>QTY</u>	<u>PART#</u>	<u>DESCRIPTION</u>
1	1	72662	APRON DRIVE SHAFT
2	1	72658	DRIVE SHAFT BRACKET, CENTER
3	1	72653	DRIVE SHAFT BRACKET, RH
4	1	72665	DRIVE SHAFT BRACKET, LH
5	2	72669	STEEL SPROCKET, 6T
6	4	72680	DRIVE SHAFT SHIM
7	2	L10R24	CROSS APRON SPROCKET
8	1	73307	DRIVE SHAFT
9	11	78985	GREASE LINE
10	3	8257	GREASE LINE FITTING, 90 DEG ELBOW 5/32 X 1/4
11	4	72652	BRONZE BUSHING
12	1	78986	GREASE LINE
13	1	78985	GREASE LINE
14	2	80530	PILLOW BLOCK BEARING, 1
15	1	G89	STRAIGHT ZERK, 1/4-28 X 90
16	2	RG51	GREASE ZERK, 90 DEGREE 1/4-28
17	2	83052	CUSHION WIRE CLAMP, 5/16
18	2	72769	GREASE MANIFOLD, 6, DIST
19	2	56N174	SQUARE KEY, 3/8 X 2
20	2	5B10	WOODRUFF KEY, 1/4 X 1
21	2	YSKP10010	SCREW SET, SOCKET, KNURLED CUP PT, 5/16 X 3/8
22	4	YSKP12010	SCREW SET, SOCKET, KNURLED CUP PT, 3/8 X 1/2
23	4	YSKP12025	SCREW SET, SOCKET, KNURLED CUP PT, 3/8 X 3/8
24	2	80808	BEARING INSERT, 1
25	6	YBCR10020	BOLT CARRIAGE, 5/16 X 1-1/4 G5
26	6	YBCR16005	BOLT CARRIAGE, 1/2 X 1 G5
27	6	YNFG10005	NUT FLANGE, 5/16
28	6	YNFG16003	NUT FLANGE, 1/2

# FIGURE 15 BEATER CHAINS & SPROCKETS

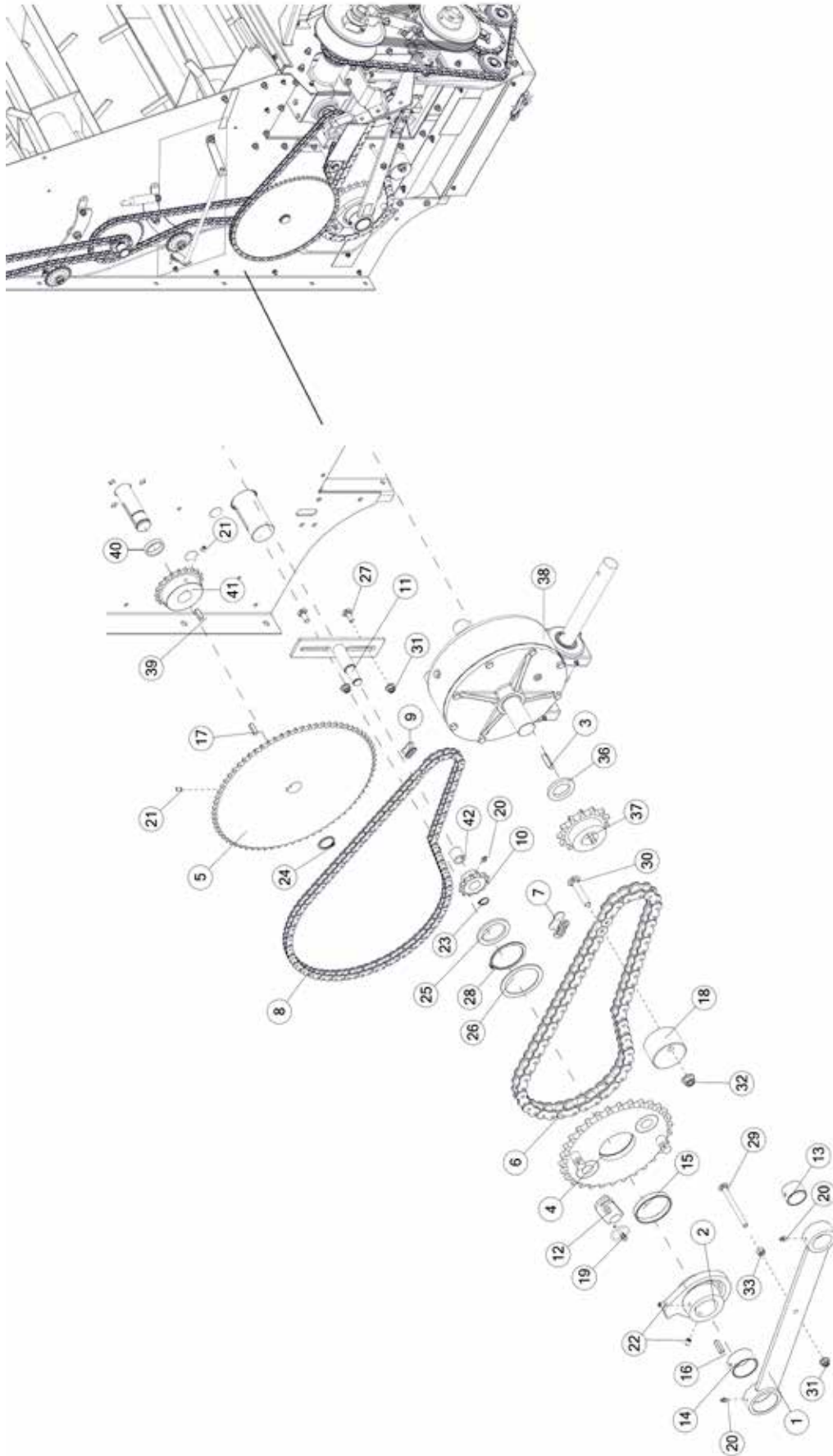


## FIGURE 15

### BEATER CHAINS & SPROCKETS

<u>ITEM</u>	<u>QTY</u>	<u>PART#</u>	<u>DESCRIPTION</u>
1	2	K101	IDLER SPROCKET, 17T
2	1	X58	ROLLER CHAIN #50 X 89 PITCHES
3	1	73377	ROLLER CHAIN #50 X 102 PITCHES
4	1	SD88	TENSIONER SPACER
5	1	S26	SPROCKET, 50B20
6	2	X61	CONNECTOR LINK #50
7	2	G23A	SQUARE KEY, 5/16 X 1-1/4
8	1	72641	SPROCKET 36T - 13T
9	2	SD77	CHAIN TIGHTENER BAR
10	2	F73	SNAP RING, 1-1/4
11	1	R27	SPRING
12	2	SD177	SHELL SPACER
13	1	SD212	TENSIONER SPACER
14	2	YBCR16010	BOLT CARRIAGE, 1/2 X 1-1/2 G5
15	2	YBFB12125	BOLT FLANGE, 3/8 X 1-1/4 G5
16	1	YBHH16080	BOLT HEX, 1/2 X 2-1/2 G5
17	1	YBHH16115	BOLT HEX, 1/2 X 3-1/2 G5
18	2	YNFG12006	NUT FLANGE, 3/8
19	4	YNFG16003	NUT FLANGE, 1/2
20	1	76301	SPACER
21	2	YWFL16005	WASHER FLAT, 1/2
22	1	80610	SPACER
23	2	YNHX12005	NUT, HEX, 3/8-16
24	2	YSKP10010	SCREW SET, SOCKET, KNURLED CUP PT, 5/16 X 3/8
25	2	YWFL24005	WASHER FLAT, 3/4

**FIGURE 16**  
**MAIN APRON & CROSS CONVEYOR DRIVE**

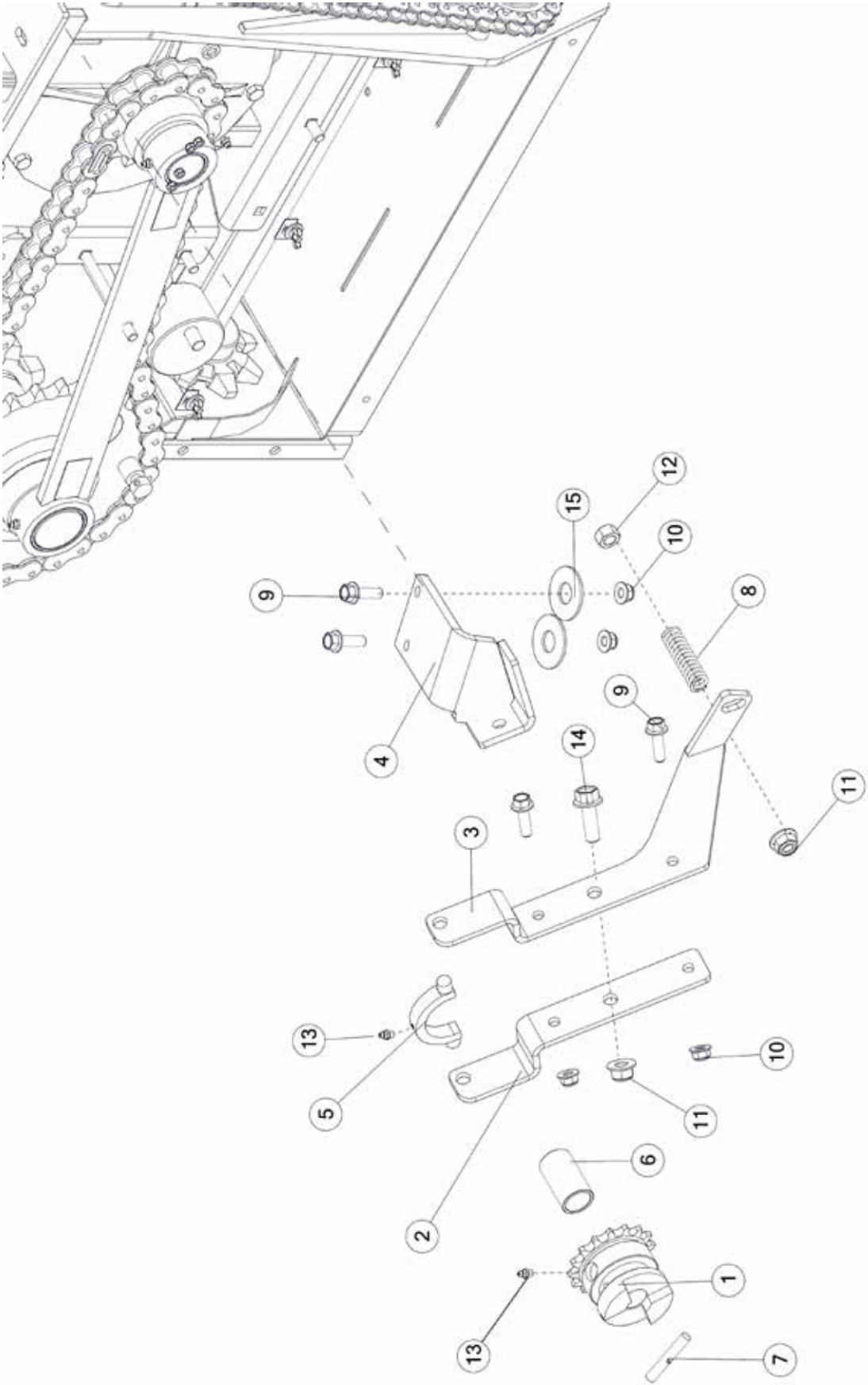


## FIGURE 16

### MAIN APRON & CROSS CONVEYOR DRIVE

<u>ITEM</u>	<u>QTY</u>	<u>PART#</u>	<u>DESCRIPTION</u>
1	1	72714	DRIVE SHAFT BRACE
2	1	72697	CLUTCH DOG CENTER
3	1	S436	SQUARE KEY, 3/8 X 1-1/2
4	1	72703	SPROCKET, #80, A, 30T
5	1	76168	SPROCKET, 50B72, 1.25 ID
6	1	73380	ROLLER CHAIN, #80 X 60 PITCHES
7	1	F157	CONNECTOR LINK #80
8	1	73377	ROLLER CHAIN, #50 X 102 PITCHES
9	1	X61	CONNECTOR LINK #50
10	1	S34	CAST SPROCKET 12T
11	1	76302	CHAIN TIGHTENER
12	1	PB191	CLUTCH PIN
13	1	S41	BRONZE BUSHING 1.75 X 1.5 X 1.125
14	1	72652	BRONZE BUSHING
15	1	72705	BRONZE BUSHING, 3 X 3.25 X 0.45
16	1	G23A	SQUARE KEY, 5/16 X 1-1/4
17	1	WM121	SQUARE KEY, 5/16 X 1
18	1	73397	POLY CHAIN TIGHTENER
19	1	YPLY06010	LYNCH PIN, 3/16 X 1-9/16
20	3	G89	STRAIGHT ZERK 1/4-28 X 90
21	2	YSKP10010	SCREW SET, SOCKET, KNURLED CUP PT, 5/16 X 3/8
22	2	YSKP12010	SCREW SET, SOCKET, KNURLED CUP PT, 3/8 X 1/2
23	1	10R32	SNAP RING, .7
24	1	F73	SNAP RING, 1-1/4
25	1	72680	DRIVE SHAFT SHIM
26	1	72712	CLUTCH SPROCKET SHIM
27	1	YBCR12010	BOLT CARRIAGE, 3/8 X 1 G5
28	1	SD202	SNAP RING, 3
29	1	YBCR12105	BOLT CARRIAGE, 3/8 X 4-1/2 G5
30	1	YBCR16035	BOLT CARRIAGE, 1/2 X 2-3/4 G5
31	2	YNFG12006	NUT FLANGE, 3/8
32	1	YNFG16003	NUT FLANGE, 1/2
33	1	YNHX12005	NUT HEX, 3/8
34	1	S33	SPACER WASHER
35	1	S26	WORM GEAR SHAFT SPROCKET
36	1	S327	WORM GEARBOX
37	1	ST11	SQUARE KEY, 5/16 X 1
38	1	G118	SPACER
39	1	WM121	SPROCKET, 50B20, 1.253 ID
40	1	76301	CHAIN TIGHTENER BUSHING

**FIGURE 17**  
**CLUTCH COMPONENTS**



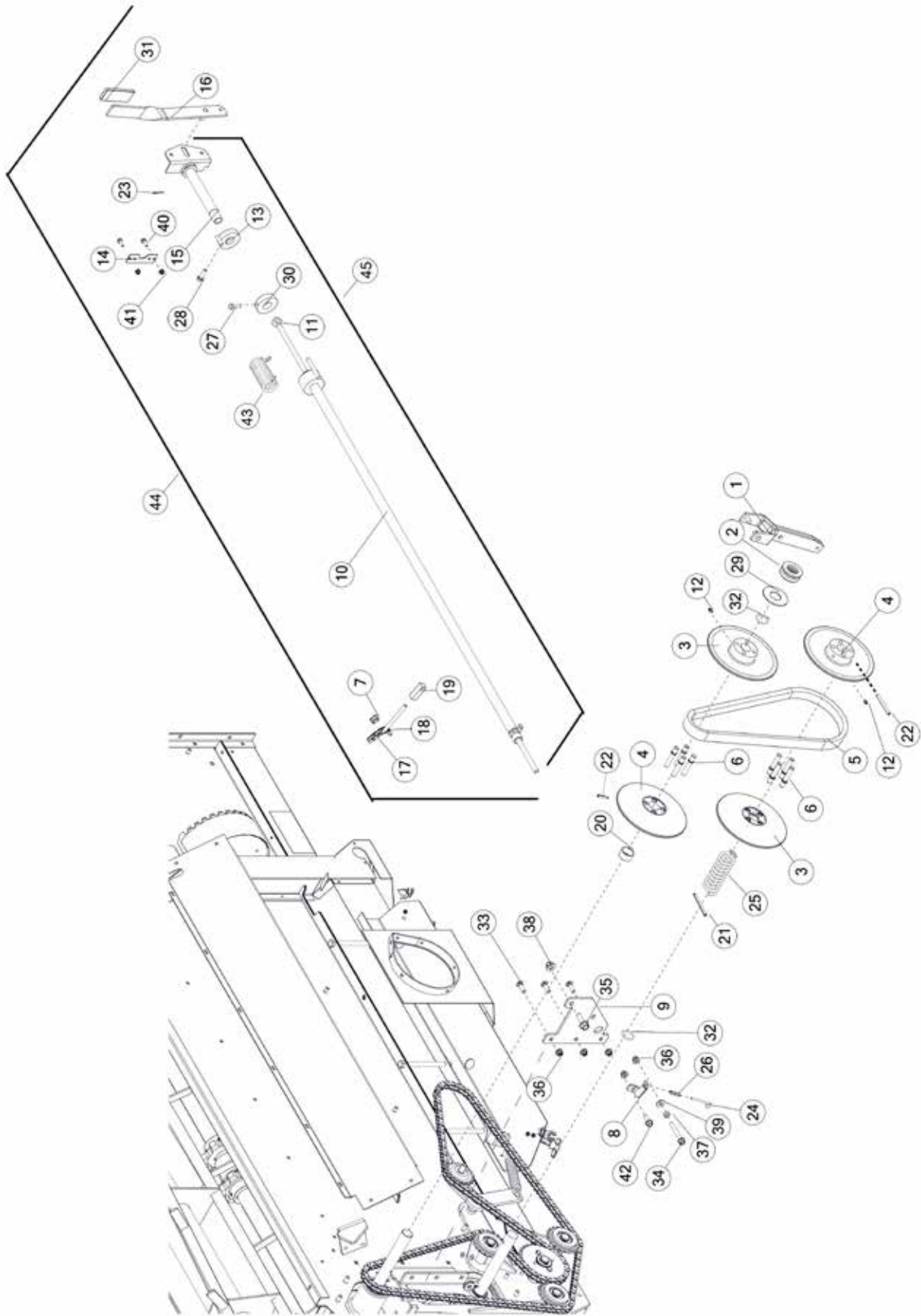


## FIGURE 17

### CLUTCH COMPONENTS

<u>ITEM</u>	<u>QTY</u>	<u>PART#</u>	<u>DESCRIPTION</u>
1	1	S116	BEATER CLUTCH
2	1	76161	CLUTCH ARM SHORT
3	1	76159	CLUTCH ARM LONG
4	1	78127	CLUTCH
5	1	57264	BRONZE YOKE
6	1	S117	BRONZE BUSHING
7	1	S115	BEATER CLUTCH PIN
8	1	S111	SPRING
9	3	YBFB12125	BOLT FLANGE, 3/8 X 1-1/4 G5
10	3	YNFG12006	NUT FLANGE, 3/8
11	2	YNFG16003	NUT FLANGE, 1/2
12	1	YNHX16005	NUT HEX, 1/2
13	2	G89	STRAIGHT ZERK, 1/4-28 X 90
14	1	YBFB16150	BOLT FLANGE, 1/2 X 1-1/2 G5
15	2	YWFL24005	WASHER, FLAT, 3/4

# FIGURE 18 SHEAVES/BELT & COMPONENTS



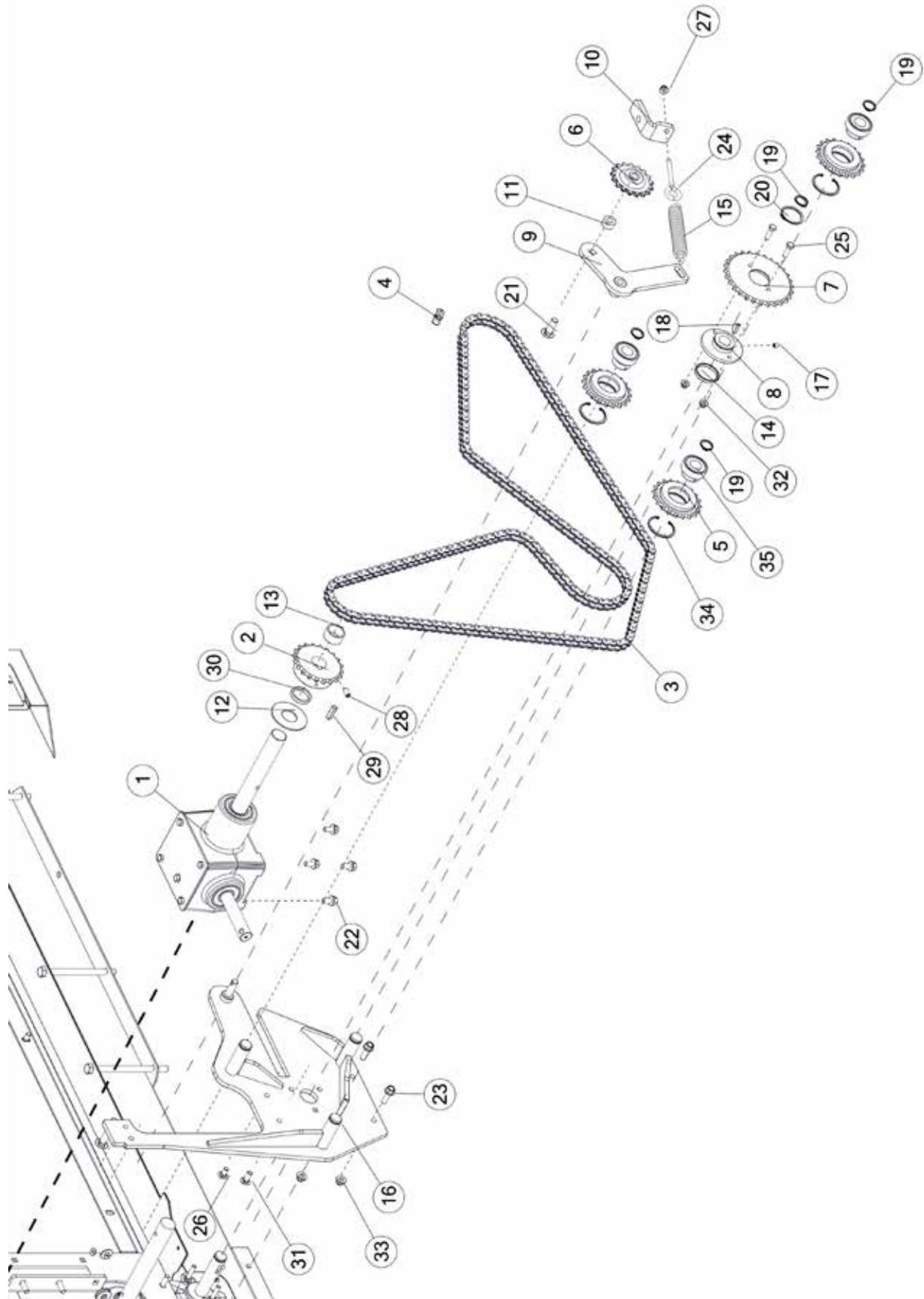
## FIGURE 18

### SHEAVES/BELT & COMPONENTS

<u>ITEM</u>	<u>QTY</u>	<u>PART#</u>	<u>DESCRIPTION</u>
1	1	S105	VARIABLE SPEED SHIFTER
2	1	S100	THRUST BEARING
3	2	67806	SHEAVE, DRIVE
4	2	67810	SHEAVE
5	1	S108	VARIABLE SPEED BELT
6	8	68031	ROUND SHAFT
7	1	S102	CHAIN #40 CONNECTOR LINK
8	1	S221	SPRING SHIFTING BRACKET
9	1	72947	SHIFTING BRACKET
10	1	73289	SHIFTER PIPE
11	1	73291	SHIFTING ROD (BEATER)
12	2	G89	STRAIGHT ZERK 1/4-28 X 90
13	1	S291	SPRING PIN COLLAR LH
14	1	72297	PLATE 3.75x1.25x.0598 SHIFTING PIPE BRACKET THIN
15	1	76550	SHIFTER HANDLE PIPE END
16	1	S364	SHIFTER HANDLE
17	1	S101	CHAIN
*	1	S102	CONNECTOR LINK
18	1	S103	SHIFTING LINKAGE
19	1	S104	ADJUSTMENT BLOCK
20	1	78976	SPACER, .77
21	2	YPEX08020	EXPANSION PIN
22	2	YPEX10030	EXPANSION PIN, 5/16 X 3
23	1	YPCT04005	COTTER PIN, 1/8 X 1
24	1	S220	SHIFTING SPRING ROD
25	1	S109	SPRING
26	1	S222	SPRING
27	1	YBHH12010	BOLT HEX, 3/8 X 1 G5
28	1	YBHH12035	BOLT HEX, 3/8 X 1-1/4 G5
29	1	78974	SPACER
30	1	S293	SHIFTER PRELOAD COLLAR
31	1	S403	HANDLE GRIP
32	2	S99	O-RING
33	3	YBCR12020	BOLT CARRIAGE, 3/8 X 1-1/4 G5
34	1	YBFB12275	BOLT FLANGE, 3/8 X 2-3/4 G5
35	1	YBFB16150	BOLT FLANGE, 1/2 X 1-1/2 G5
36	5	YNFG12006	NUT FLANGE, 3/8
37	1	K94	SPACER CHAIN TIGHTENER
38	1	YNFG16003	NUT FLANGE, 1/2
39	1	YWFL12005	WASHER FLAT, 3/8
40	2	YBFB08075	BOLT FLANGE, 1/4 X 3/4 G5
41	2	YNFG08010	NUT FLANGE, 1/4
42	1	YBFB12003	BOLT FLANGE, 3/8 X 1 G5
43	1	S292	SPRING
44	1	73208	SHIFTER PIPE ASSEMBLY
45	1	73288	SHIFTER PIPE & COMPONENTS

\* NOT SHOWN

**FIGURE 19**  
**FRONT DRIVE CHAIN/SPROCKET & COMPONENTS**

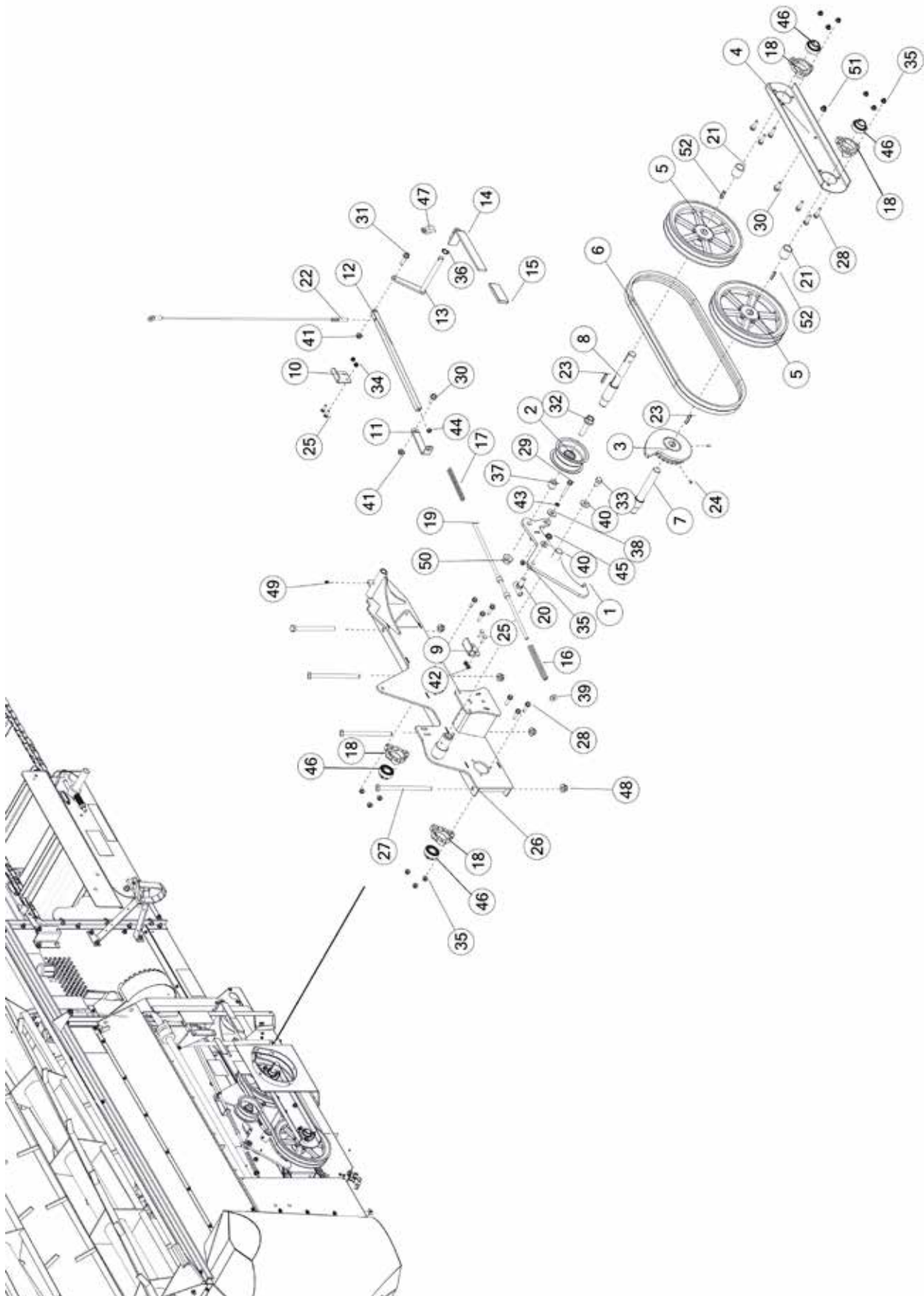


## FIGURE 19

### FRONT DRIVE CHAIN/SPROCKET & COMPONENTS

<u>ITEM</u>	<u>QTY</u>	<u>PART#</u>	<u>DESCRIPTION</u>
1	1	78963	BEVEL GEAR BOX
2	1	S26	SPROCKET, 50B20
3	1	79010	ROLLER CHAIN, #50 X 214 PITCHES
4	1	X61	CONNECTOR LINK, #50
5	3	61147	IDLER SPROCKET, 20T
6	1	K101	IDLER SPROCKET, 17T
7	1	76706	SPROCKET, 28T
8	1	S391	SHEAR HUB
9	1	79005	TIGHTENER BRACKET
10	1	79007	TIGHTEN SPRING BRACKET
11	1	73305	SPROCKET SPACER
12	1	78974	SPACER
13	1	78976	SPACER
14	1	S393	BRONZE BUSHING, 2 X 1-3/4
15	1	ST36	TENSION SPRING
16	1	78991	IDLER MOUNT
17	1	YSKP10010	SCREW SET, SOCKET, KNURLED CUP PT, 5/16 X 3/8
18	1	5B10	WOODRUFF KEY, 1/4 X 1
19	4	3G21	SNAP RING, 1
20	1	S394	SNAP RING, 1-3/4
21	1	YBCR16010	BOLT CARRIAGE, 1/2 X 1-1/2 G5
22	4	YBFB12075	BOLT FLANGE, 3/8 X 3/4 G5
23	2	YBFB12125	BOLT FLANGE, 3/8 X 1-1/4 G5
24	1	YBTE10035	BOLT TURNED EYE, 5/16 X 3
25	2	YBHH10050	BOLT HEX, 5/16 X 1-1/8 G5
26	1	YBCR12065	BOLT CARRIAGE, 3/8 X 3/4 G5
27	1	YNFG10005	NUT FLANGE, 5/16
28	1	YSKP12035	SCREW SOCKET, KNRD CUP PT 3/8 X 3/4
29	1	G23A	SQUARE KEY, 5/16 X 1-1/4
30	1	80607	SPACER
31	1	YBCR12010	BOLT CARRIAGE, 3/8 X 1
32	1	YNFG10005	NUT FLANGE, 5/16
33	2	YNFG12006	NUT FLANGE, 3/8
34	3	K92	INTERNAL SNAP RING
35	3	K90	BEARING

# FIGURE 20 FRONT DRIVE/BELTS & COMPONENTS

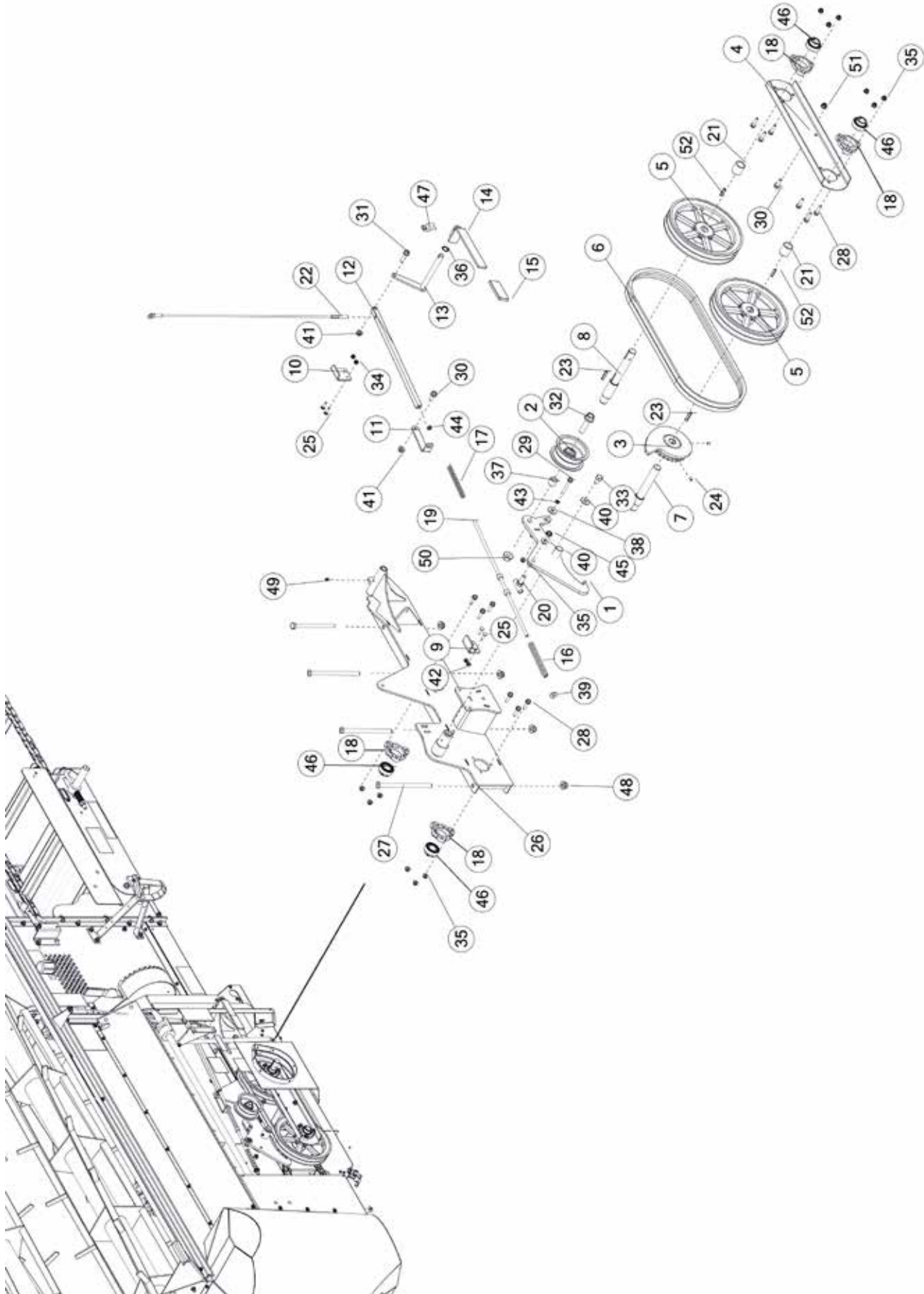


## FIGURE 20

### FRONT DRIVE/BELTS & COMPONENTS

<u>ITEM</u>	<u>QTY</u>	<u>PART#</u>	<u>DESCRIPTION</u>
1	1	80630	IDLER BRAKE ARM
2	1	GM127	IDLER PULLEY
3	1	78898	SPROCKET, STOP DISK
4	1	78921	BEARING BRACKET
5	2	80531	PULLEY
6	1	SD1	DRIVE BELT SET
7	1	80534	OUTPUT SHAFT
8	1	80672	INPUT SHAFT
9	1	80700	BRAKE ARM PIVOT STOP
10	1	72755	CLUTCH HANDLE STOP
11	1	80678	SPRING BRACKET
12	1	80685	SHIFTER ROD END
13	1	80675	HANDLE PIVOT
14	1	76455	CLUTCH HANDLE
15	1	S362	HANDLE LEVER GRIP
16	1	23N211	SPRING
17	1	S369	SPRING
18	4	80530	PILLOW BLOCK BEARING, 1
19	1	SD34	PRIMARY CLUTCH ROD
20	1	S344	CLUTCH ROD SLIDE
21	2	80671	SPACER
22	1	80576	EMERGENCY STOP CABLE
23	2	PB218	SQUARE KEY, 1/4 X 1-1/2
24	2	YSKP10010	SCREW SET, SOCKET, KNURLED CUP PT, 5/16 X 3/8
25	4	YBCR08005	BOLT CARRIAGE, 1/4 X 1 G5
26	1	80733	CLUTCH FRAME
27	4	YBHH16175	BOLT HEX, 1/2 X 6-1/2
28	9	YBFB10125	BOLT FLANGE, 5/16 X 1-1/4 G5
29	1	YBFB10250	BOLT FLANGE, 5/16 X 2-1/2 G5
30	2	YBFB12003	BOLT FLANGE, 3/8 X 1 G5
31	1	YBFB12150	BOLT FLANGE, 3/8 X 1-1/2 G5
32	1	YBFB20300	BOLT FLANGE, 5/8 X 3 G5
33	1	YBHH16110	BOLT HEX, 1/2 X 3/4 G5
34	2	YNFG08010	NUT FLANGE, 1/4
35	13	YNFG10005	NUT FLANGE, 5/16
36	1	S352	RETAINING RING, SELF-LOCKING, 5/8
37	1	SD211	PULLEY IDLER SPACER
38	2	YWFL10005	WASHER FLAT, 5/16
39	1	YWFL12005	WASHER FLAT, 3/8

# FIGURE 20 FRONT DRIVE/BELTS & COMPONENTS

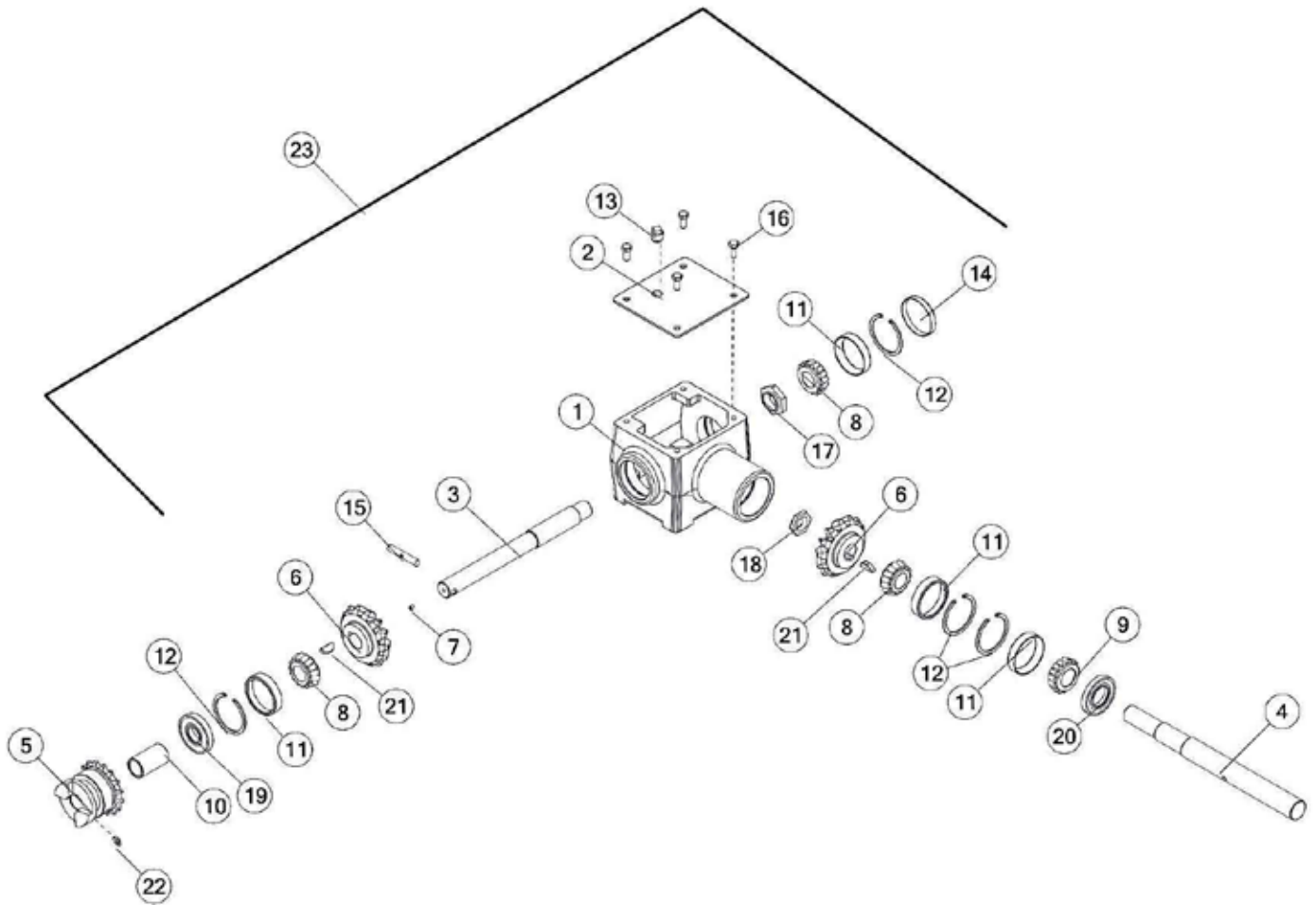




**FIGURE 20**  
**FRONT DRIVE/BELTS & COMPONENTS**

<b><u>ITEM</u></b>	<b><u>QTY</u></b>	<b><u>PART#</u></b>	<b><u>DESCRIPTION</u></b>
40	2	YWFL16005	WASHER FLAT, 1/2
41	3	YNFG12006	NUT FLANGE, 3/8
42	2	YNFG08010	NUT FLANGE, 1/4
43	1	YNJM10005	NUT JAM, 5/16 A
44	1	YNJM12005	NUT JAM, 3/8 A
45	1	YNNJ16005	NUT JAM, 1/2 G2
46	2	80808	BEARING
47	1	YPLY08011	LYNCH PIN, 1/4 X 1-9/16
48	4	YNFG16003	NUT FLANGE, 1/2
49	1	G89	STRAIGHT ZERK 1/4-28 X 90
50	1	YNFG20005	NUT FLANGE, 5/8
51	1	YNFG12006	NUT FLANGE, 3/8
52	2	S135	SQUARE KEY, 1/4 X 1-1/4

**FIGURE 21**  
**BEATER GEARBOX**

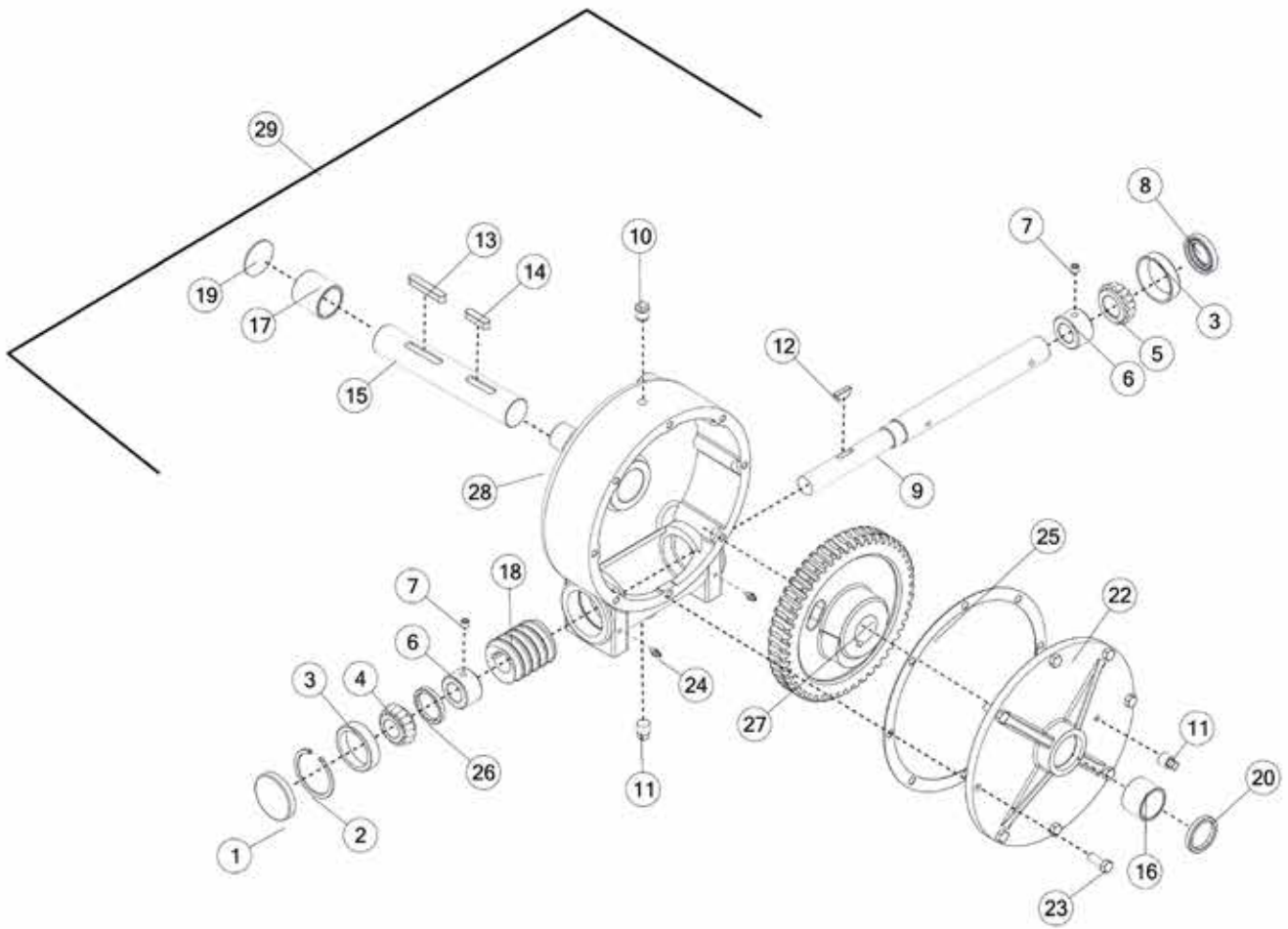


## FIGURE 21

### BEATER GEARBOX

<u>ITEM</u>	<u>QTY</u>	<u>PART#</u>	<u>DESCRIPTION</u>
1	1	3G1	HOUSING
2	1	3G3	COVER
3	1	76115	SIDE SHAFT
4	1	76354	GEARBOX SHAFT, FRONT
5	1	S116	BEATER CLUTCH
6	2	3G5	BEVEL GEAR
7	1	YSKP08020	SCREW SET, SOCKET, 1/4 X 1/4
8	3	3G7	TAPER BEARING
9	1	L3G24	TAPER BEARING
10	1	S117	BRONZE BUSHING
11	4	12N19	INNER RACE
12	4	3G19	SNAP RING
13	1	3G20	VENT PLUG
14	1	G90	CAP
15	1	S115	PIN
16	4	YBHH10105	BOLT HEX, 5/16 X 3/4 G5
17	4	3G11	GEAR BOX NUT, 1-1/8
18	1	3G4	GEAR BOX NUT, 1
19	1	3G9	SEAL
20	1	S136	OIL SEAL
21	2	5B10	WOODRUFF KEY, 1/4 X 1
22	1	G89	STRAIGHT ZERK 1/4-28 X 90
23	1	78963	COMPLETE GEARBOX

# **FIGURE 22** **WORM GEARBOX**



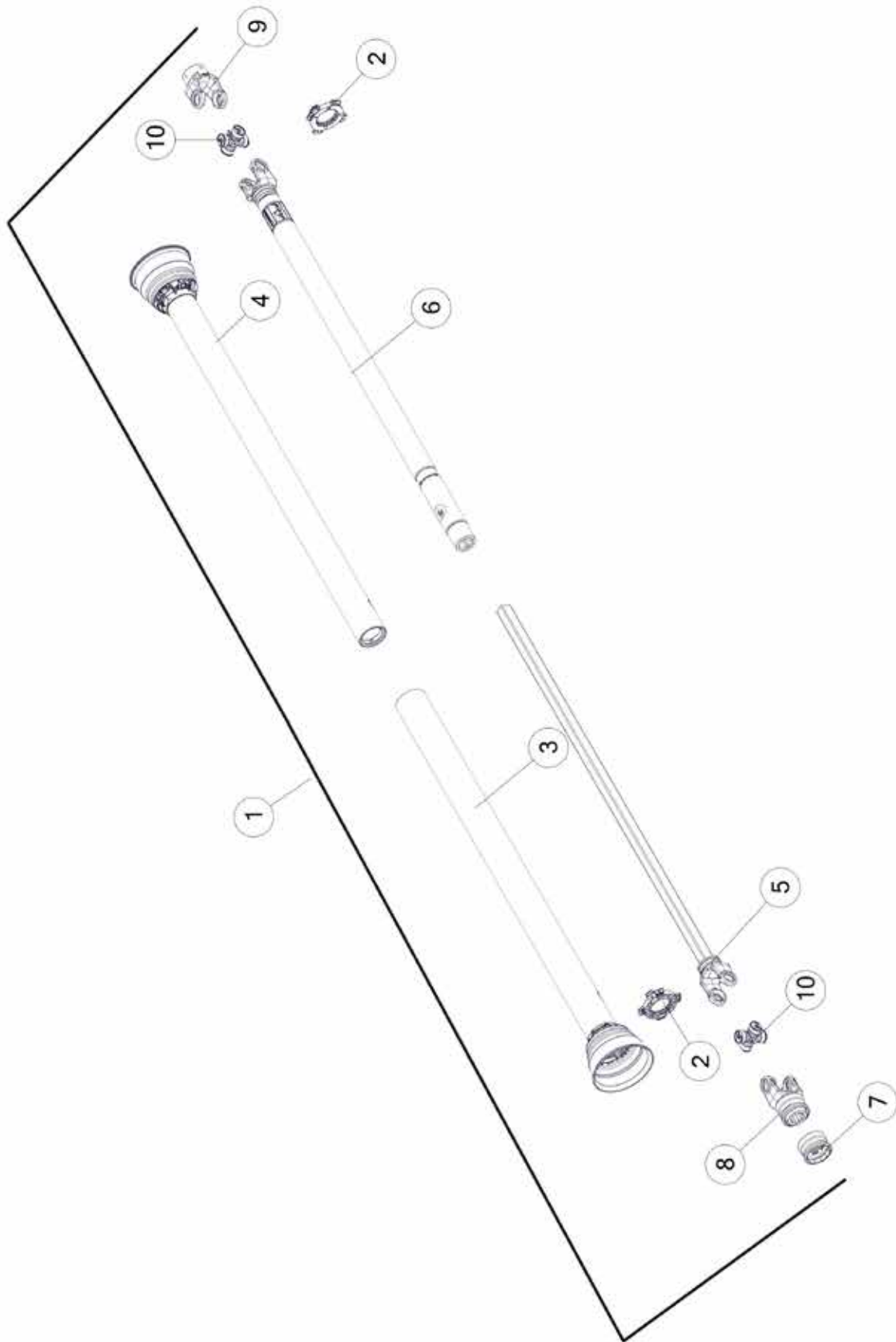
## FIGURE 22

### WORM GEARBOX

<u>ITEM</u>	<u>QTY</u>	<u>PART#</u>	<u>DESCRIPTION</u>
1	1	G90	CAP
2	1	3G19	SNAP RING
3	2	3G18	ROLLER BEARING
4	1	3G7	TAPER BEARING
5	1	L3G24	TAPER BEARING
6	2	X9	SPACER
7	2	YSKP12025	SCREW SET, SOCKET, 3/8 X 3/8
8	1	G115	OIL SEAL
9	1	S140	WORM GEAR SHAFT, FRONT
10	1	59184	PIPE PLUG, PLASTIC, 3/8
11	1	G65	PIPE PLUG, 3/8 NPT
12	1	5B10	WOODRUFF KEY, 1/4 X 1
13	1	S138	ROUND KEY, 3/8 X 2-3/8
14	1	S437	SQUARE KEY, 3/8 X 1-3/8
15	1	S139	WORM GEAR SHAFT, SIDE
16	1	X75	BUSHING
17	1	X8	BUSHING
18	1	G76	WORM GEAR
19	1	G117	CAP
20	1	G120	OIL SEAL
21	1	G118	WORM GEARBOX
22	1	G116	WORM GEAR BOX COVER
23	8	YBHH12010	BOLT HEX, 3/8 X 1 G5
24	1	G89	STRAIGHT ZERK 1/4-28 X 90
25	1	G88	GASKET
26	1	59249	SHIM, .005
*	1	58748	SHIM, .007
*	1	G92	SHIM, STAINLESS .01
*	1	59250	SHIM, .02
27	1	G77	GEAR
28	1	G114	HOUSING

\* NOT SHOWN

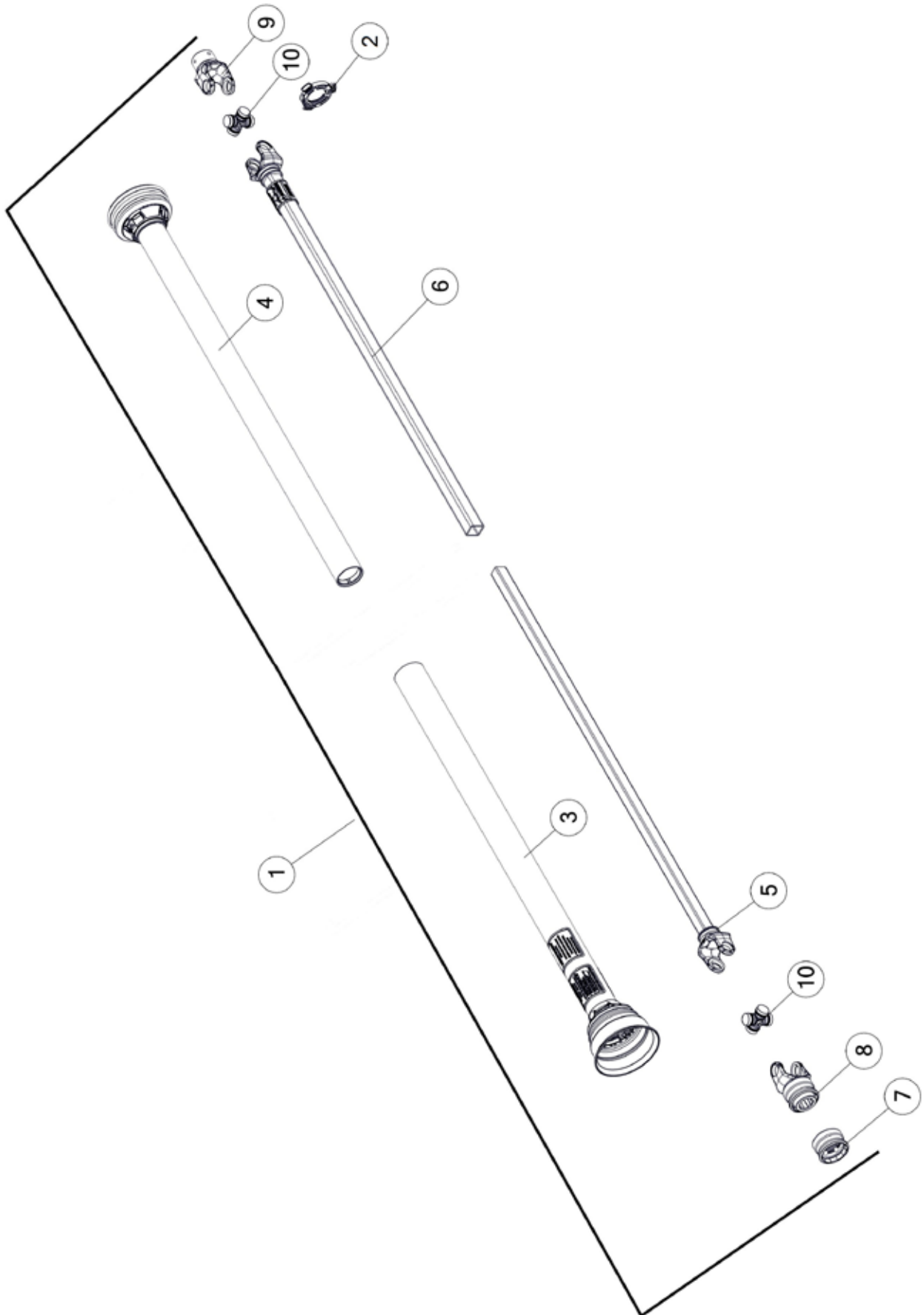
**FIGURE 23**  
**PTO 540 RPM LONG**



**FIGURE 23**  
**PTO 540 RPM LONG**

<b><u>ITEM</u></b>	<b><u>QTY</u></b>	<b><u>PART#</u></b>	<b><u>DESCRIPTION</u></b>
1	1	S457	COMPLETE PTO
2	2	16SV181	GUARD REPAIR KIT
3	1	8224	OUTER GUARD
4	1	8225	INNER GUARD
5	1	8220	YOKE AND SHAFT
6	1	8227	YOKE TUBE AND SLIP SLEEVE
7	1	S225	SPRING-LOK REPAIR KIT
8	1	23N162	SPRING LOCK YOKE
9	1	8228	YOKE, 14
10	2	14NW KIT	CROSS KIT, 14

**FIGURE 24**  
**PTO 540 RPM STANDARD**

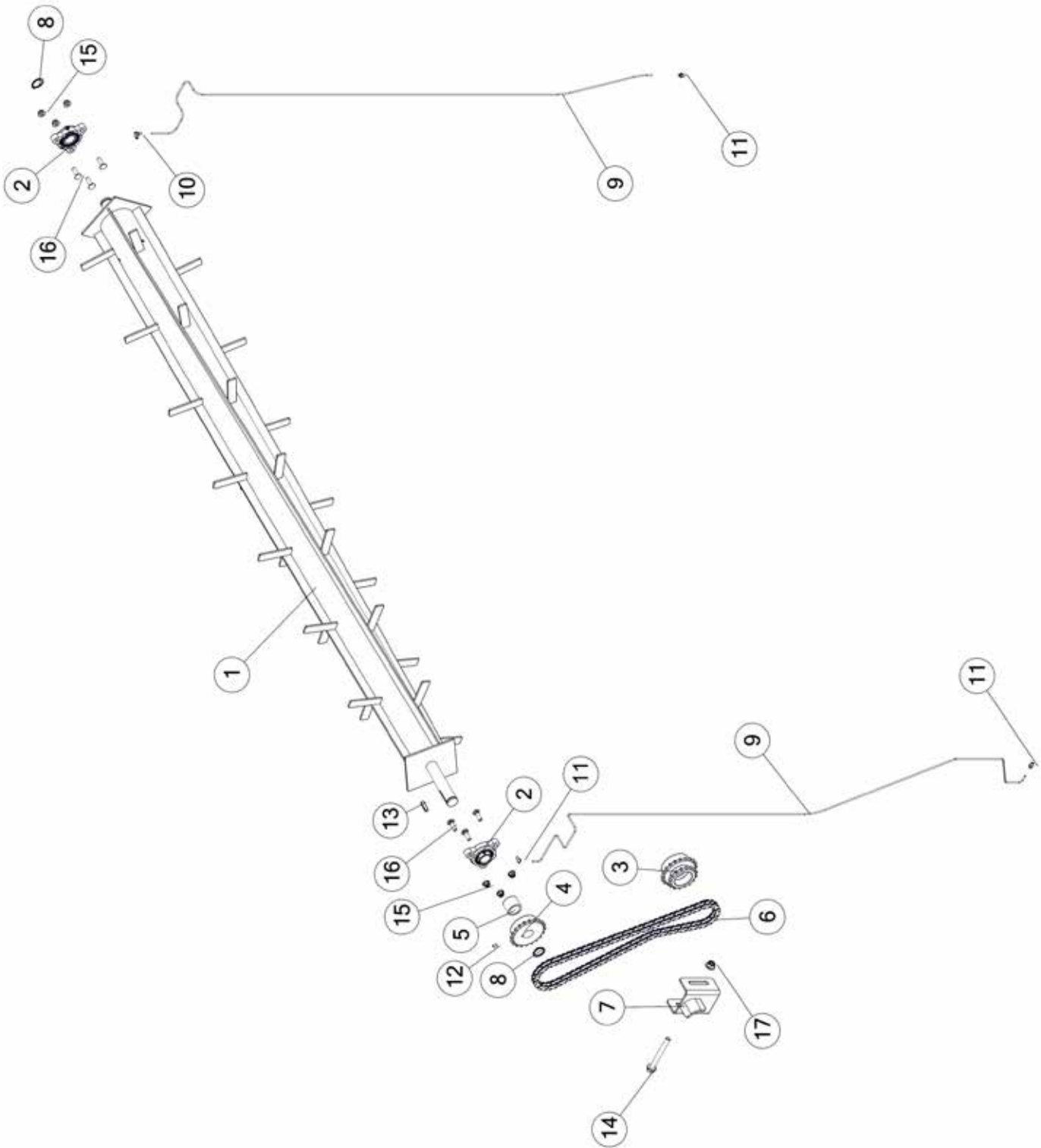




**FIGURE 24**  
**PTO 540 RPM STANDARD**

<b><u>ITEM</u></b>	<b><u>QTY</u></b>	<b><u>PART#</u></b>	<b><u>DESCRIPTION</u></b>
1	1	S372	HD NEEDLE BEARING PTO
2	1	78807	GUARD REPAIR KIT
3	1	S398	OUTER GUARD
4	1	S397	INNER GUARD
5	1	S378	YOKE AND SHAFT
6	1	S376	YOKE AND TUBE
7	1	S225	SPRING LOCK REPAIR KIT
8	1	S379	SPRING LOCK YOKE, 12
9	1	S374	YOKE, 12
10	1	S375	CROSS KIT, 12R

# FIGURE 25 OPTIONAL TOP BEATER

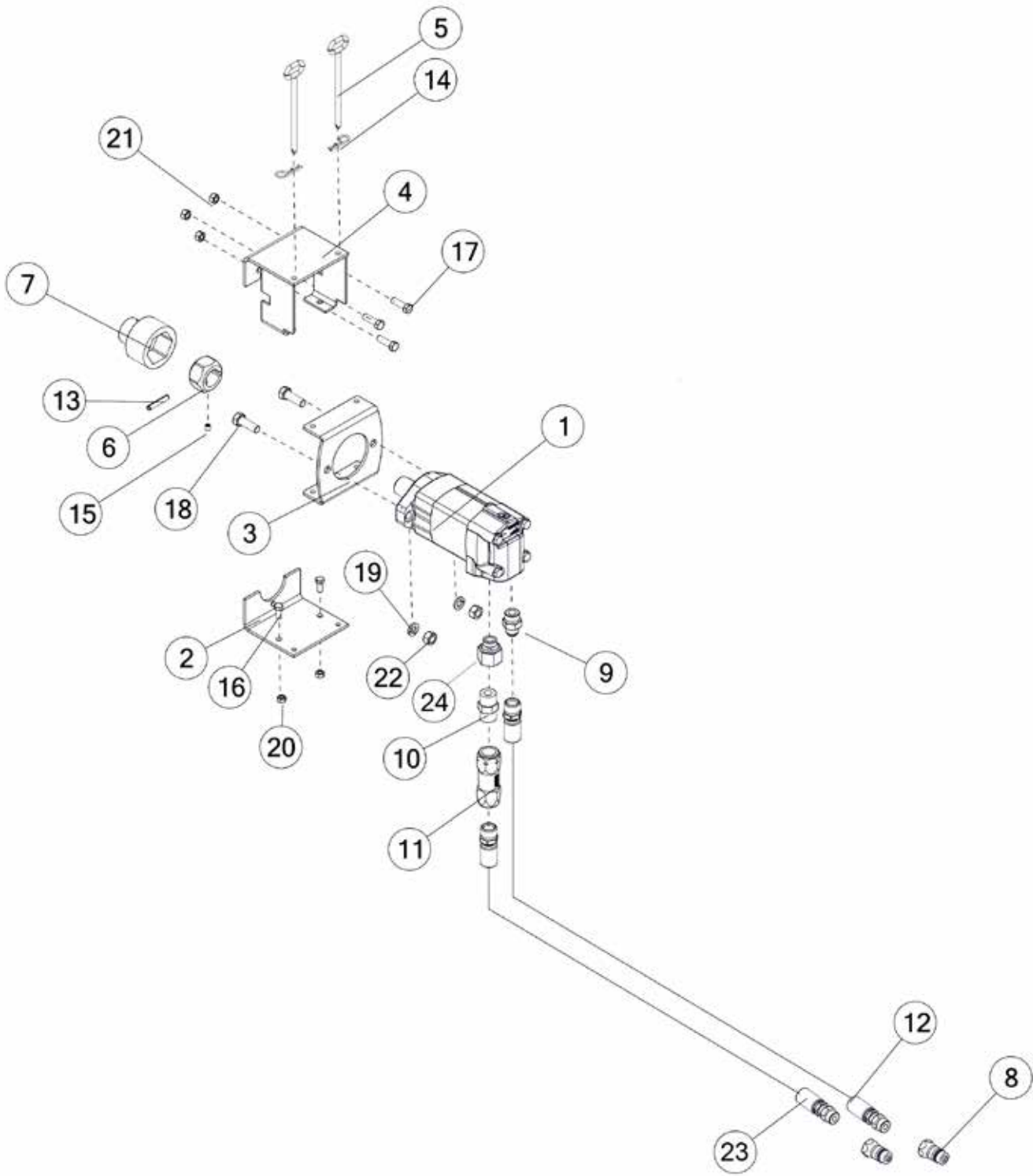


**FIGURE 25**  
**OPTIONAL TOP BEATER**

<u>ITEM</u>	<u>QTY</u>	<u>PART#</u>	<u>DESCRIPTION</u>
1	1	S263	BEATER
2	2	80662	BEARING 1-1/4
3	1	S266	SPROCKET, 50B16, 50B20
4	1	S26	SPROCKET, 50B20, 1.253 ID
5	1	S262	SPACER
6	1	87249	ROLLER CHAIN, 50 X 78 PITCHES
*	1	X61	CONNECTING LINK
7	1	87254	CHAIN TIGHTNER
8	2	F73	SNAP RING, 1-1/4
9	2	79314	GREASE LINE
10	1	8257	GREASE LINE FITTING, 90 DEGREE ELBOW 5/32 x 1/4
11	3	54572	GREASE LINE FITTING, STRAIGHT
12	1	YSKP10010	SET SCREW, SOCKET, KNURLED CUP PT, 5/16 - 18 X 3/8
13	1	G23A	SQUARE KEY, 5/16 X 1-1/4
14	1	YBFB16450	BOLT FLANGE, 1/2 X 4-1/2 G5
15	6	YNFG12006	NUT FLANGE, 3/8 GF
16	6	YBCR12020	BOLT CARRIAGE, 3/8 X 1-1/4 G5
17	1	YNFG16003	NUT FLANGE, 1/2

\* NOT SHOWN

# FIGURE 26 HYDRAULIC DRIVE KIT

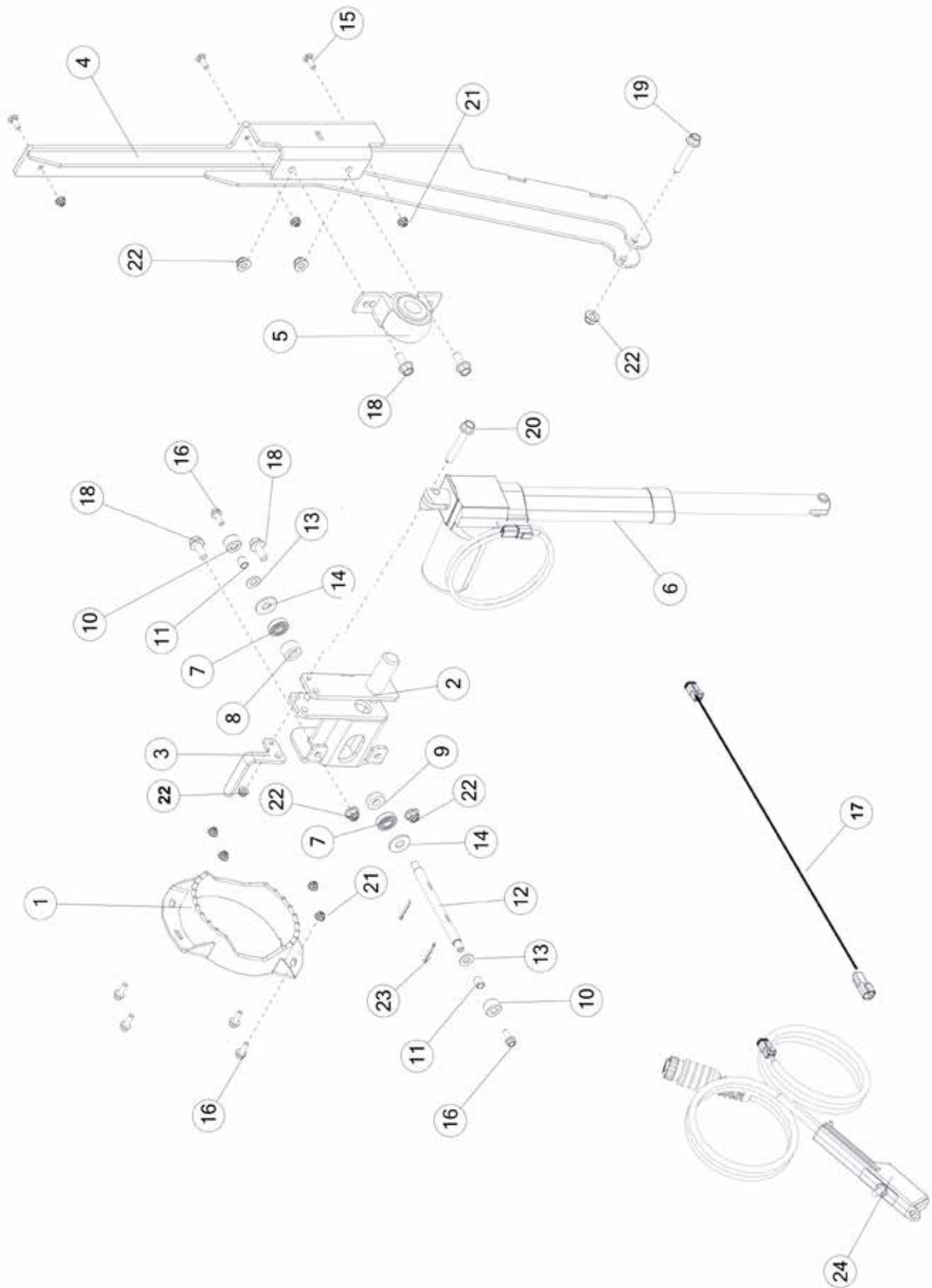


## FIGURE 26

### HYDRAULIC DRIVE KIT

<u>ITEM</u>	<u>QTY</u>	<u>PART#</u>	<u>DESCRIPTION</u>
1	1	16SV150	HYDRAULIC MOTOR
2	1	S383	BOTTOM MOTOR HANGER, 6-1/2 X 5 X 3/16
3	1	S464	MOTOR MOUNT 2000 SERIES
4	1	S382	TOP MOTOR HANGER
5	2	S386	PIN, MOTOR UNIT MOUNT
6	1	S463	PRIMARY HEX DRIVE 2000 SERIES
7	1	S411	SECONDARY HEX DRIVE
8	2	67148	QUICK COUPLER
9	2	GM27	FITTING STRAIGHT, 8JIC X 10ORB
10	1	LW98	NIPPLE, 3/4
11	2	PB185	CHECK VALVE, 3/4
12	2	85248	HYDRAULIC HOSE 1/2 X 132
13	1	YPEX10015	EXPANSION PIN, 5/16 X 1-3/4
14	2	YPHR02005	HAIR PIN
15	1	YSKP10010	SCREW SET, SOCKET, KNURLED CUP PT, 5/16 - 18 X 3/8
16	2	YBHH10105	BOLT HEX, 5/16 X 3/4 G5
17	3	YBHH12035	BOLT HEX, 3/8 X 1-1/4 G5
18	2	YBHH16030	BOLT HEX, 1/2 X 1-1/2 G5
19	2	YWLO16005	WASHER LOCK, 1/2
20	2	YNHX10005	NUT HEX, 5/16
21	3	YNHX12005	NUT HEX, 3/8
22	2	YNHX16005	NUT HEX, 1/2
23	1	80669	HYDRAULIC HOSE, 1/2 X 132
24	1	WM289	FITTING STRAIGHT, 10ORB, 1/2NPT, STL

# **FIGURE 27** **ELECTRIC CAB CONTROL KIT**



## FIGURE 27

### ELECTRIC CAB CONTROL KIT

<u>ITEM</u>	<u>QTY</u>	<u>PART#</u>	<u>DESCRIPTION</u>
1	1	76734	CAB CONTROL SPOOL
2	1	89113	CAB CONTROL PIVOT
3	1	83019	INDICATOR BRACKET
4	1	89119	ACTUATOR BRACKET
5	1	80N22	BEARING,
6	1	89130	LINEAR ACTUATOR
7	2	72910	BALL, BEARING
8	1	76540	STEEL BUSHING
9	1	76541	STEEL BUSHING
10	1	78024	ROUND TUBE
11	2	78028	BRONZE BUSHING
12	1	78041	ROUND SHAFT
13	2	YWFL12010	WASHER FLAT, 3/8
14	2	YWFL16005	WASHER, FLAT, 1/2
15	3	YBCR08040	BOLT CARRIAGE, 1/4 X 3/4 G5
16	4	YBFB08075	BOLT FLANGE, 1/4 X 3/4 G5
17	1	85050	CAB CONTROL WIRE HARNESS
18	1	YBFB12003	BOLT FLANGE, 3/8 X 1 G5
19	1	YBFB12225	BOLT FLANGE, 3/8 X 2-1/4 G5
20	1	YBFB12500	BOLT FLANGE, 3/8 X 5 G5
21	7	YNFG08010	NUT FLANGE, 1/4
22	6	YNFG12006	NUT FLANGE, 3/8
23	2	YPCT04005	COTTER PIN, 1/8 X 1
24	1	85332	HAND CONTROLLER, (ON)-OFF-(ON) REVERSING
*	1	16SV235	SWITCH BOOTS
*	1	61564	CAP
*	1	58790	DEUTSCH 2 PIN PLUG HOUSING
*	2	56760	DEUTSCH SOCKET, SOLID, 14-16 GA.
*	1	58793	WEDGELOCK FOR DT06-2S CONNECTOR
*	1	EFAT015	ELEC, FUSE, ATO, 15 AMP

\* NOT SHOWN

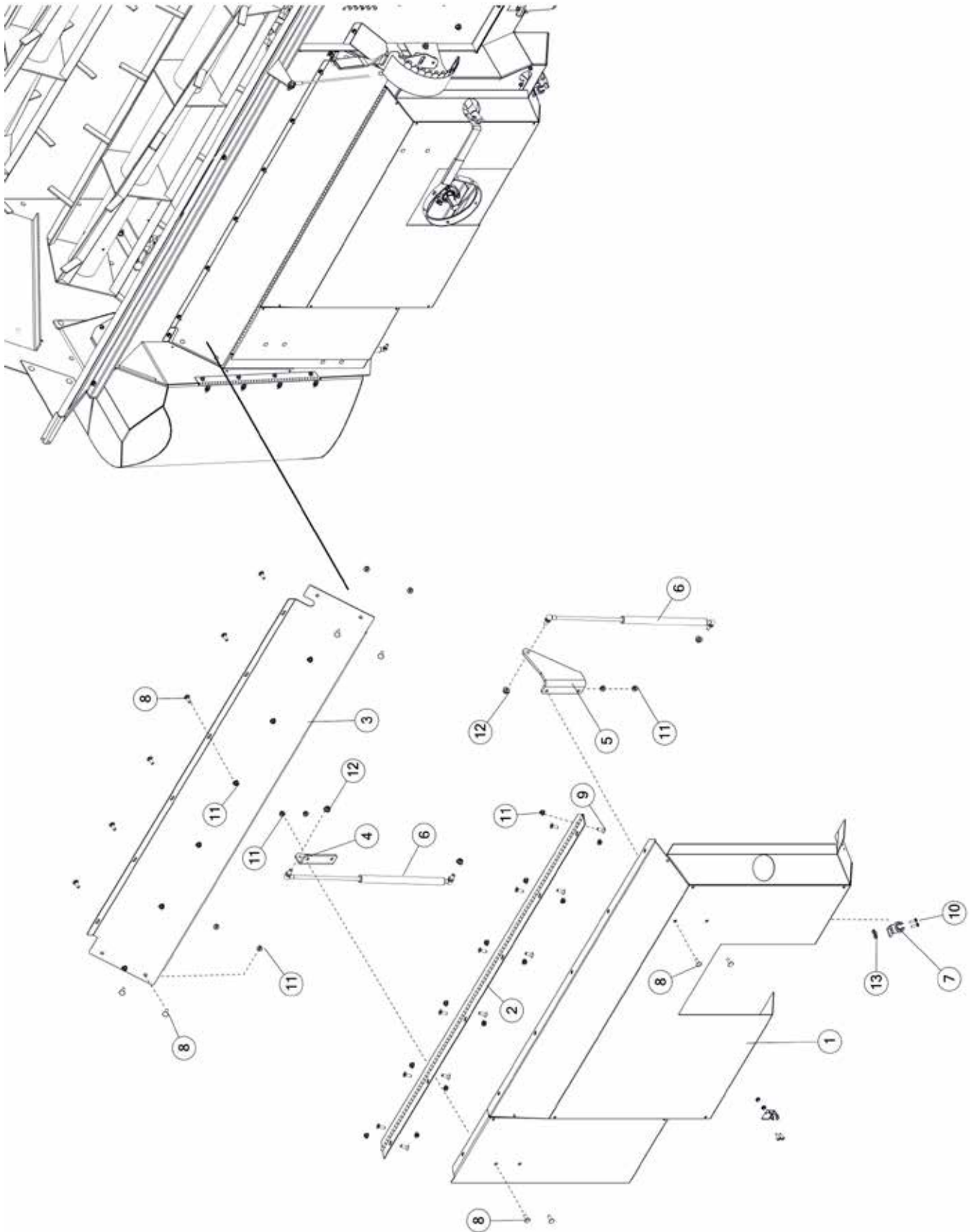
# **TWIN AUGER UNIT**



# **CONTENTS**

Figure 1 - Front Shields . . . . .	64-65
Figure 2 - Front Panel & Components. . . . .	66-67
Figure 3 - Pan & Components . . . . .	68-69
Figure 4 - Cross Conveyor Drives. . . . .	70-71
Figure 5 - Apron Shaft & Components . . . . .	72-73
Figure 6 - Main Side Panel LH . . . . .	74-75
Figure 7 - Housing Panel RH. . . . .	76-77
Figure 8 - Top Side Panel RH. . . . .	78-79
Figure 9 - Side Door & Components RH. . . . .	80-81
Figure 10 - Beater & Components LH . . . . .	82-83
Figure 11 - Beater & Components RH. . . . .	84-85
Figure 12 - Beater Chain & Sprockets . . . . .	86-87
Figure 13 - Main Apron & Cross Conveyor Drive . . . . .	88-89
Figure 14 - Clutch Components. . . . .	90-91
Figure 15 - Sheaves/Belts & Components . . . . .	92-93
Figure 16 - Front Drive Chain/Sprockets & Components . . . . .	94-95
Figure 17 - Front Drive/Belts & Components . . . . .	96-99
Figure 18 - Beater Gearbox . . . . .	100-101
Figure 19 - Worm Gearbox . . . . .	102-103
Figure 20 - PTO 540 RPM Long . . . . .	104-105
Figure 21 - PTO 540 RPM Standard . . . . .	106-107
Figure 22 - Optional Top Beater . . . . .	108-109
Figure 23 - Electric Cab Control Kit . . . . .	110-111
Figure 24 - Hydraulic Drive Kit . . . . .	112-113

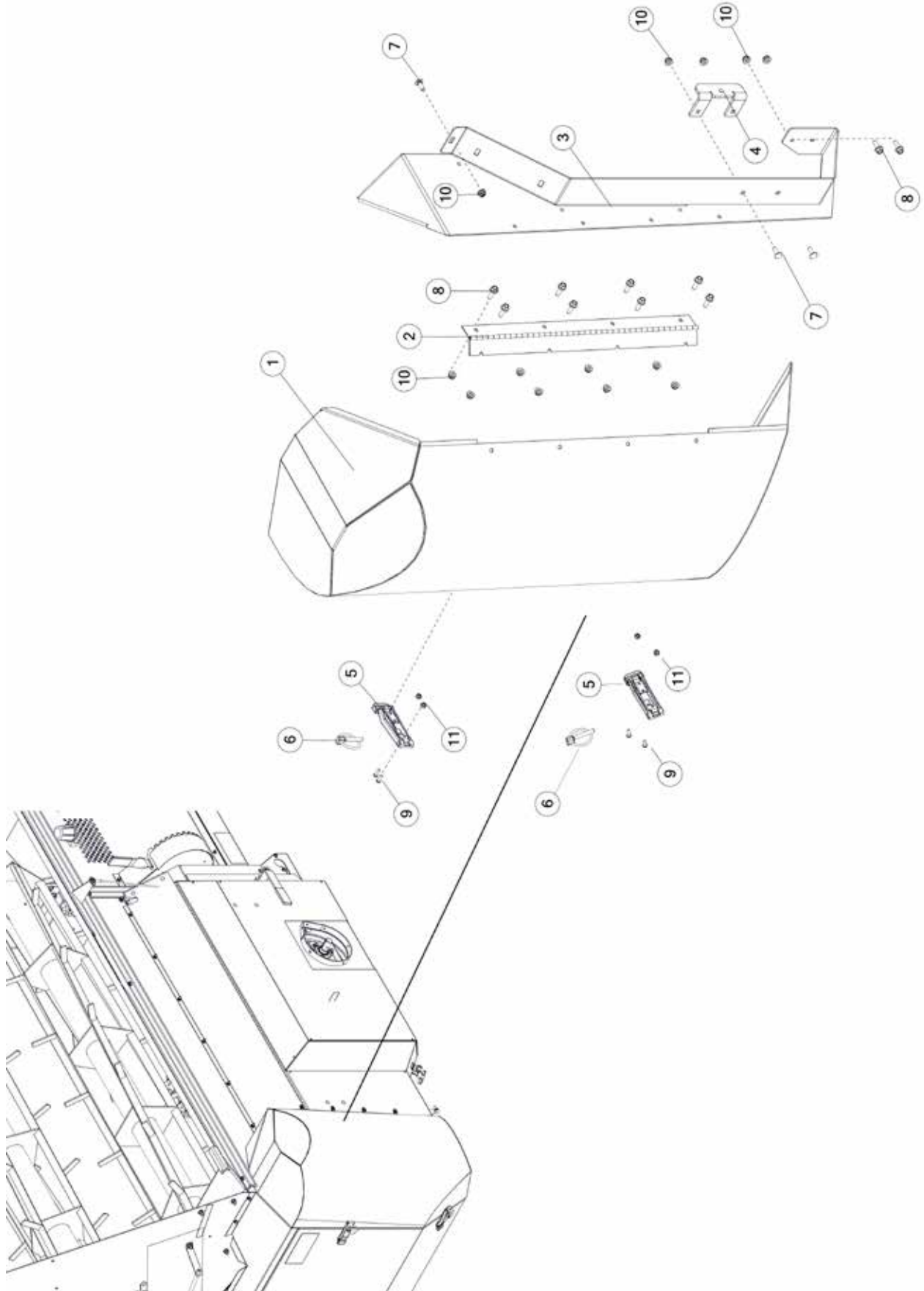
# **FIGURE 1** **FRONT SHIELDS**



# FIGURE 1 FRONT SHIELDS

<u>ITEM</u>	<u>QTY</u>	<u>PART#</u>	<u>DESCRIPTION</u>
1	1	79104	DOOR SHIELD, FRONT
2	1	79039	PIANO HINGE
3	1	74148	SHIELD, FRONT
4	1	80594	GAS SPRING UPPER BRACKET RH
5	1	80597	GAS SPRING UPPER BRACKET LH
6	2	80583	GAS SPRING
7	2	X233	LATCH CATCH
8	14	YBCR08040	BOLT CARRIAGE, 1/4 X 3/4 G5
9	12	YSFS08010	BOLT FLAT SOCKET HEAD, 1/4 X 3/4
10	4	YSPN64005	SCREW PAN HEAD, 10 X 5/8
11	26	YNFG08010	NUT FLANGE, 1/4
12	4	YNFG10005	NUT FLANGE, 5/16
13	4	YNNY64005	NUT HEX, #10-24, G2

# FIGURE 2 FRONT PANEL & COMPONENTS

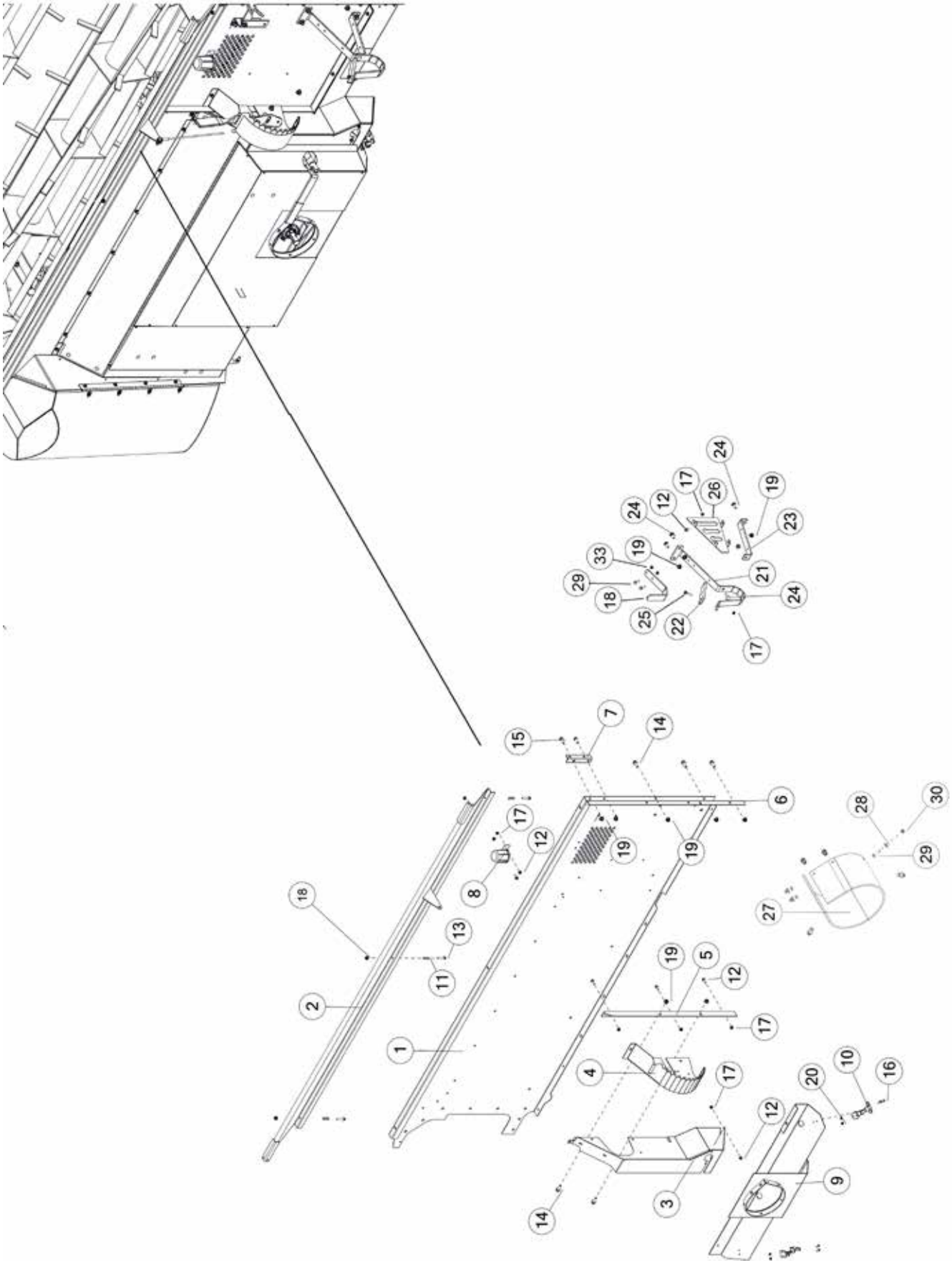


## **FIGURE 2**

### **FRONT PANEL & COMPONENTS**

<b><u>ITEM</u></b>	<b><u>QTY</u></b>	<b><u>PART#</u></b>	<b><u>DESCRIPTION</u></b>
1	1	81415	CORNER SHIELD, ROUND FRONT
2	1	74267	PIANO HINGE
3	1	81533	INSIDE CORNER SHIELD, FRONT
4	1	80595	GAS SPRING LOWER BRACKET RH
5	2	80180	DRAW LATCH
6	2	YPLY08011	LYNCH PIN, 1/4 X 1-9/16
7	3	YBCR08040	BOLT CARRIAGE, 1/4 X 3/4 G5
8	10	YBFB08075	BOLT FLANGE, 1/4 X 3/4 G5
9	4	YSPP62006	SCREW PAN HEAD, #8-32 X 1/2
10	13	YNFG08010	NUT FLANGE, 1/4
11	4	YNNY62005	NUT HEX, #8-32 G2

# FIGURE 3 PAN & COMPONENTS

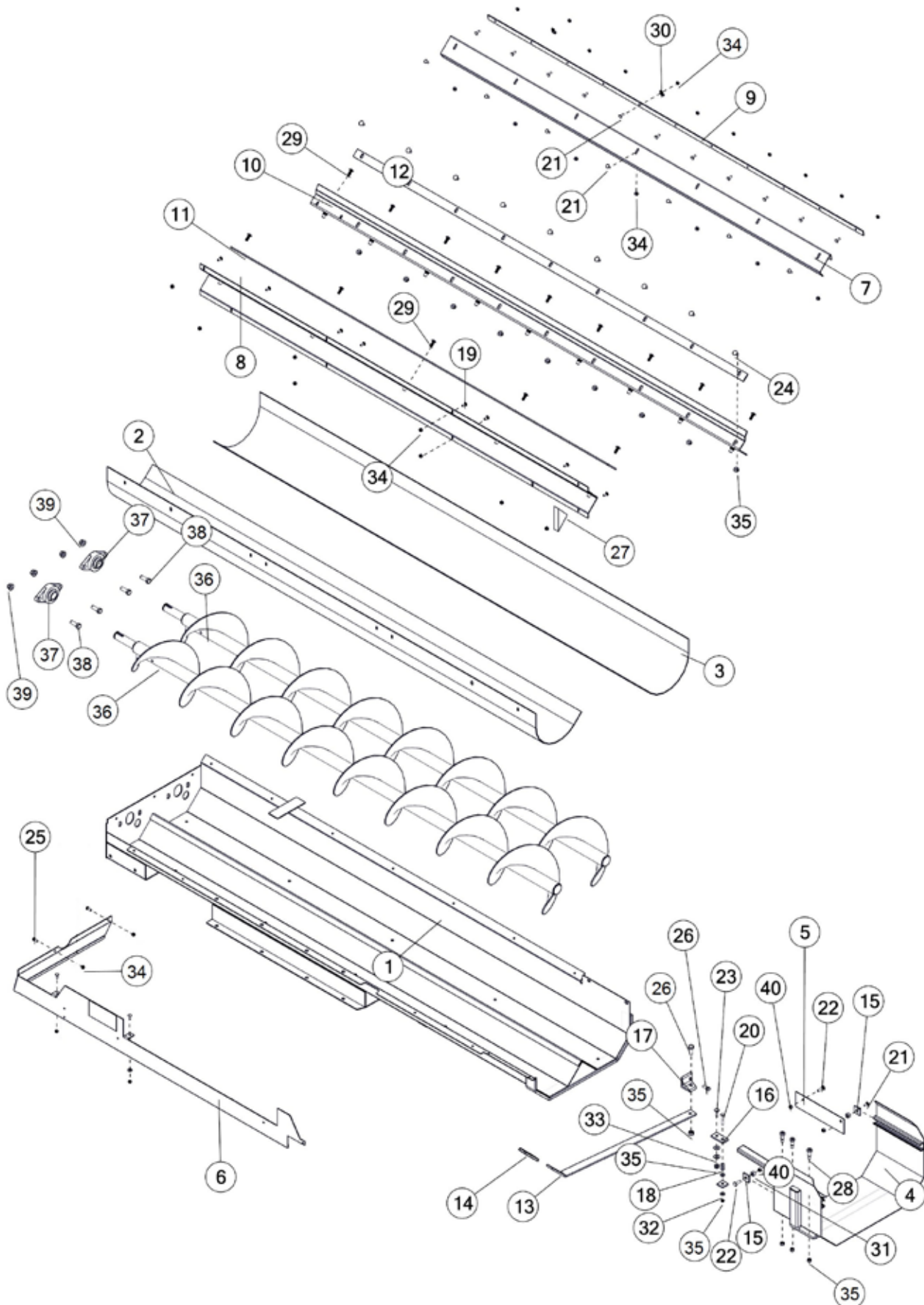


## FIGURE 3

### PAN & COMPONENTS

<u>ITEM</u>	<u>QTY</u>	<u>PART#</u>	<u>DESCRIPTION</u>
1	1	76384	UNIT PANEL, FRONT
2	1	79098	EMERGENCY STOP PANEL
3	1	79037	SHIELD, FRONT LH
4	1	73302	SPEED SELECTOR BRACKET
5	1	73314	PANEL BRACE, FRONT
6	1	75797	UNIT BRACE, FRONT
7	1	73343	ANGLE BRACKET, CORNER LH
8	1	CHM38	PLUG STORAGE
9	1	79040	PTO SHIELD
10	2	X233	LATCH ASSEMBLY
11	3	S7	SPRING
12	5	YBFB08075	BOLT FLANGE, 1/4 X 3/4 G5
13	3	YBFB08150	BOLT FLANGE, 1/4 X 1-1/2 G5
14	5	YBFB12003	BOLT FLANGE, 3/8 X 1 G5
15	2	YBHH12010	BOLT HEX, 3/8 X 1 G5
16	4	YSPN64005	SCREW PAN HEAD, 10 X 5/8
17	7	YNFG08010	NUT FLANGE, 1/4
18	1	80562	HYDRAULIC HOSE HOLDER
19	11	YNFG12006	NUT FLANGE, 3/8
20	4	YNNY64005	NUT HEX, 10-24 G2
21	1	80558	TOP PTO BRACKET
22	1	S78	RUBBER TAB
23	1	80559	HOLDER BRACKET
24	4	YBCR12010	BOLT CARRIAGE, 3/8 X 1 G5
25	1	YBFB08125	BOLT FLANGE, 1/4 X 1-1/4 G5
26	1	80561	HOSE HOLDER
27	1	79070	PTO RUBBER
28	7	YWFL08005	WASHER FLAT, 1/4
29	7	YBHH08010	BOLT HEX, 1/4 X 1 G5
30	7	YNNY08005	NUT HEX, 1/4 G2

# FIGURE 4 CROSS CONVEYOR DRIVES



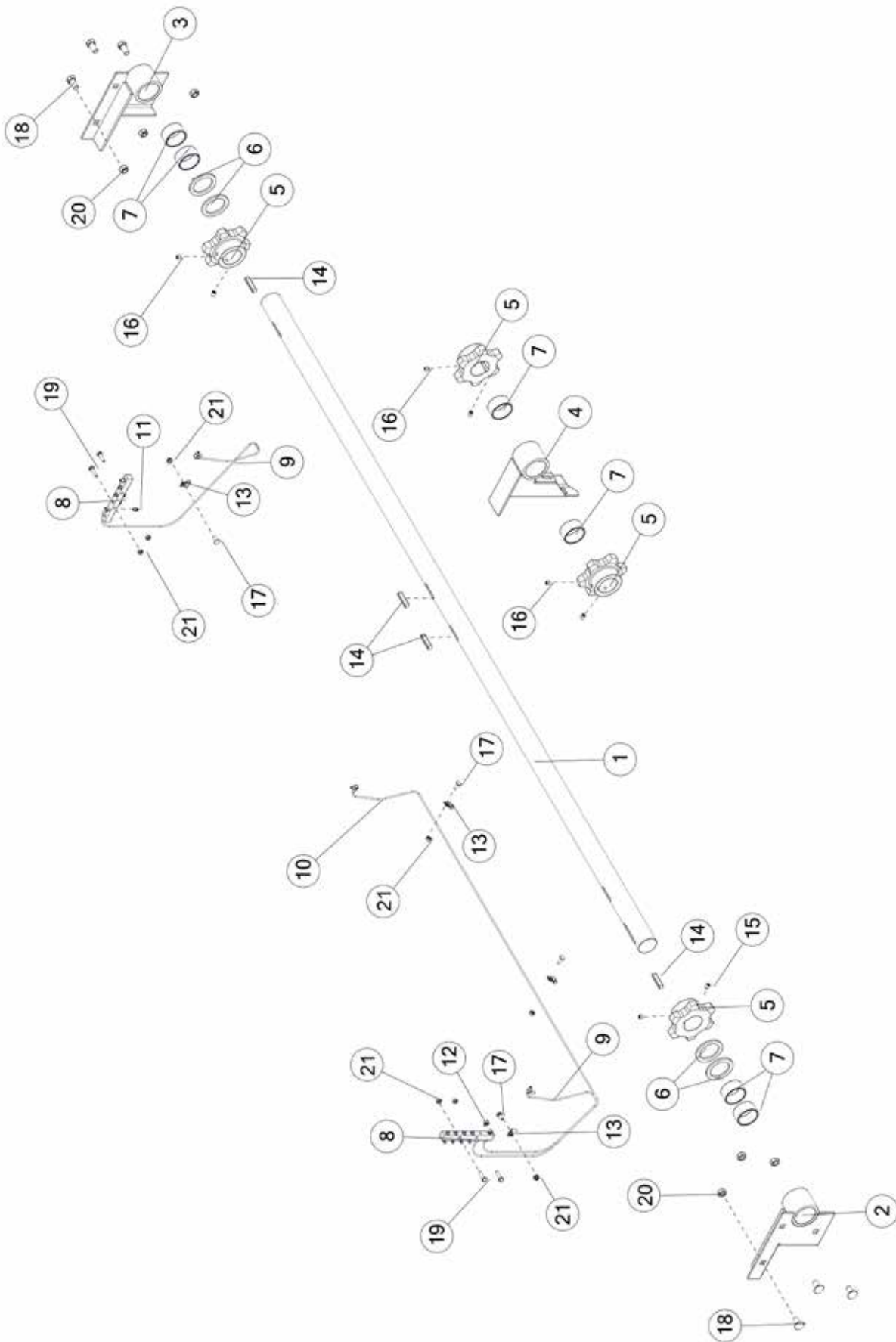


## FIGURE 4

### CROSS CONVEYOR DRIVES

<u>ITEM</u>	<u>QTY</u>	<u>PART#</u>	<u>DESCRIPTION</u>
1	1	75775	AUGER HOUSING
2	1	76341	AUGER SHORT POLY
3	1	ST2	AUGER LONG POLY
4	1	80281	EXTENSION SHELL
5	1	ST68	POLY HOLD DOWN
6	1	80192	FRONT LOWER SHIELD
7	1	76377	BLACK POLY & SEAL HOLDER
8	1	76503	FRONT WIPER
9	1	S288	PLATE, 87-1/2 X 1 X .13
10	1	ST69	CENTER WIPER
11	1	X83	WIPER
12	1	ST72	FRONT OF CENTER WIPER
13	1	ST21	EXTENSION HANDLE
14	1	S403	HANDLE GRIP
15	2	80276	EXT. POLY SIDES
16	1	80279	POLY SLIDE BRACKET
17	1	76388	EXTENSION HANDLE BRKT
18	1	S7	SPRING FOR EMERGENCY STOP
19	9	YBCR08003	BOLT CARRIAGE, 1/4-20 X 3/4 A ZC
20	1	YBCR12035	BOLT CARRIAGE, 3/8 X 2 G5
21	18	YBCR10015	BOLT CARRIAGE, 5/16 X 1-1/2 G5
22	1	YBCR08040	BOLT CARRIAGE, 1/ X 3/4 G5
23	1	YBCR12020	BOLT CARRIAGE, 3/8 X 1-1/4 G5
24	9	YBCR12010	BOLT CARRIAGE, 3/8 X 1 G5
25	2	YBFB08075	BOLT FLANGE, 1/4 X 3/4
26	2	YBFB12125	BOLT FLANGE, 3/8 X 1-1/4 G5
27	2	60693	FOAM FILLER, FRONT WIPER BLADE HOLDER
28	3	YBSU12012	BOLT SHOULDER, 1/2 X 7/8
29	14	YSFB12100	SCREW FLANGE, BUTTON HEAD, 3/8 X 1
30	2	83052	CUSHION WIRE CLAMP 5/16
31	2	ST77	EXTENSION SPACER
32	2	YWFL08005	WASHER FLAT, 1/4
33	2	YWFL12005	WASHER FLAT, 3/8
34	31	YNFG08010	NUT FLANGE, 1/2
35	16	YNFG12006	NUT FLANGE, 3/8
36	2	76177	AUGER WELDMENT
37	2	12N29	FLANGE BEARING, 3.13 X 1.25 X 5.59
38	4	YBFB16150	BOLT FLANGE, 1/2 X 1-1/2 G5
39	2	YNFG16003	NUT FLANGE, 1/2
40	3	YNFG10005	NUT FLANGE, 5/16

**FIGURE 5**  
**APRON SHAFT & COMPONENTS**

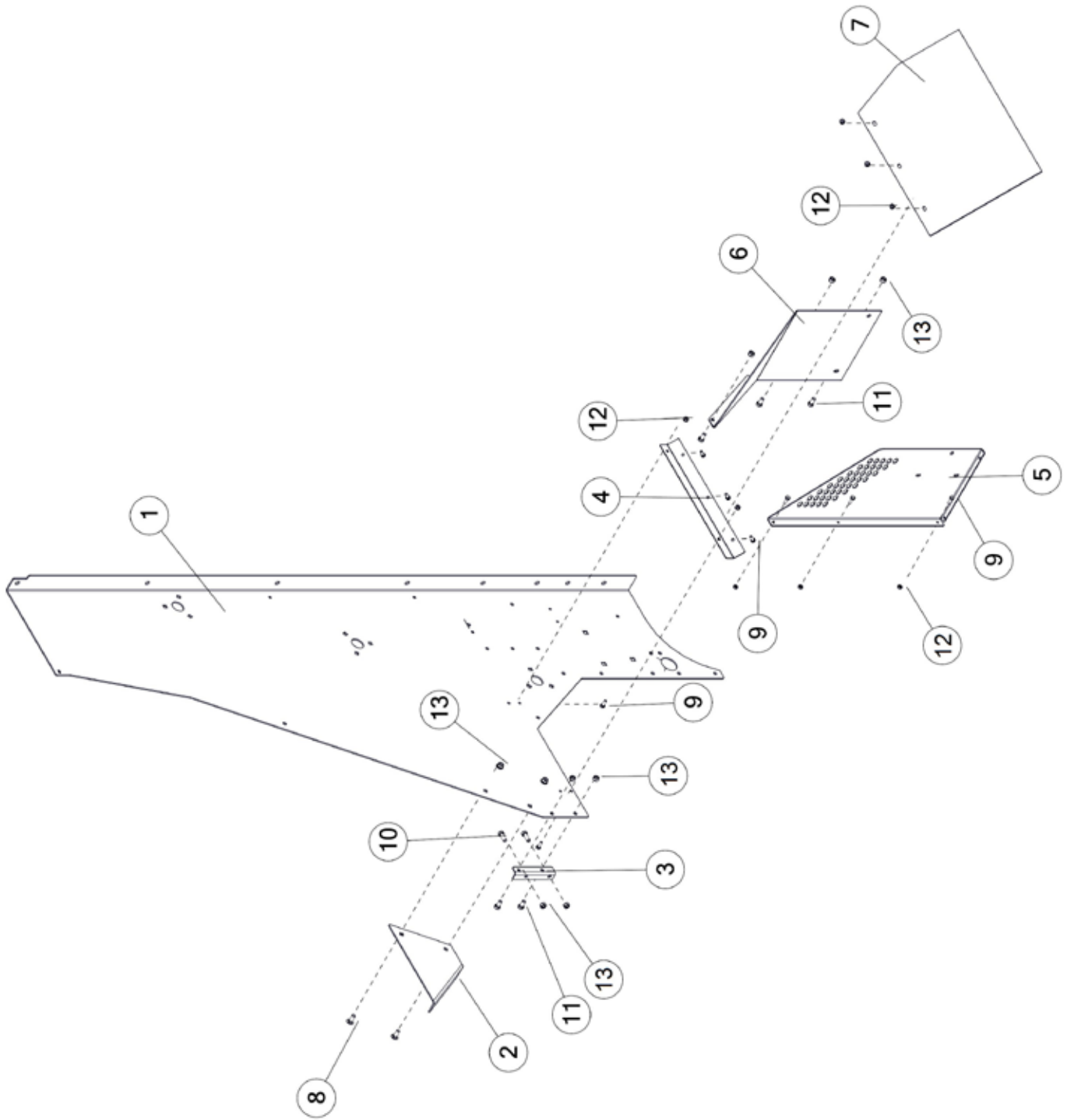


## FIGURE 5

### APRON SHAFT & COMPONENTS

<u>ITEM</u>	<u>QTY</u>	<u>PART#</u>	<u>DESCRIPTION</u>
1	1	72662	APRON DRIVE SHAFT
2	1	72651	DRIVE SHAFT BRACKET RH
3	1	72665	DRIVE SHAFT BRACKET LH
4	1	72657	DRIVE SHAFT BRACKET CENTER
5	4	72669	6 TOOTH STEEL SPROCKET
6	4	72680	DRIVE SHAFT SHIM
7	4	72652	BRONZE BUSHING
8	2	72769	GREASE MANIFOLD
9	2	78985	GREASE LINE
10	1	78986	GREASE LINE
11	1	G89	STRAIGHT ZERK, 1/4-28
12	1	RG51	ZERK, 90 DEGREE 1/4
13	4	83052	CUSHION WIRE CLAMP, 5/16
14	2	56N174	SQUARE KEY
15	4	YSKP12010	SET SCREW, 3/8 X 1/2
16	4	YSKP12025	SET SCREW, 3/8 X 3/8
17	4	YBCR08040	BOLT CARRIAGE, 1/4 X 3/4, G5
18	6	YBCR16005	BOLT CARRIAGE, 1/2 X 1 G5
19	4	YBFB08125	BOLT FLANGE, 1/4 X 1-1/4 G5
20	6	YNFG16003	NUT FLANGE, 1/2 GF
21	8	YNFG08010	NUT FLANGE, 1/4

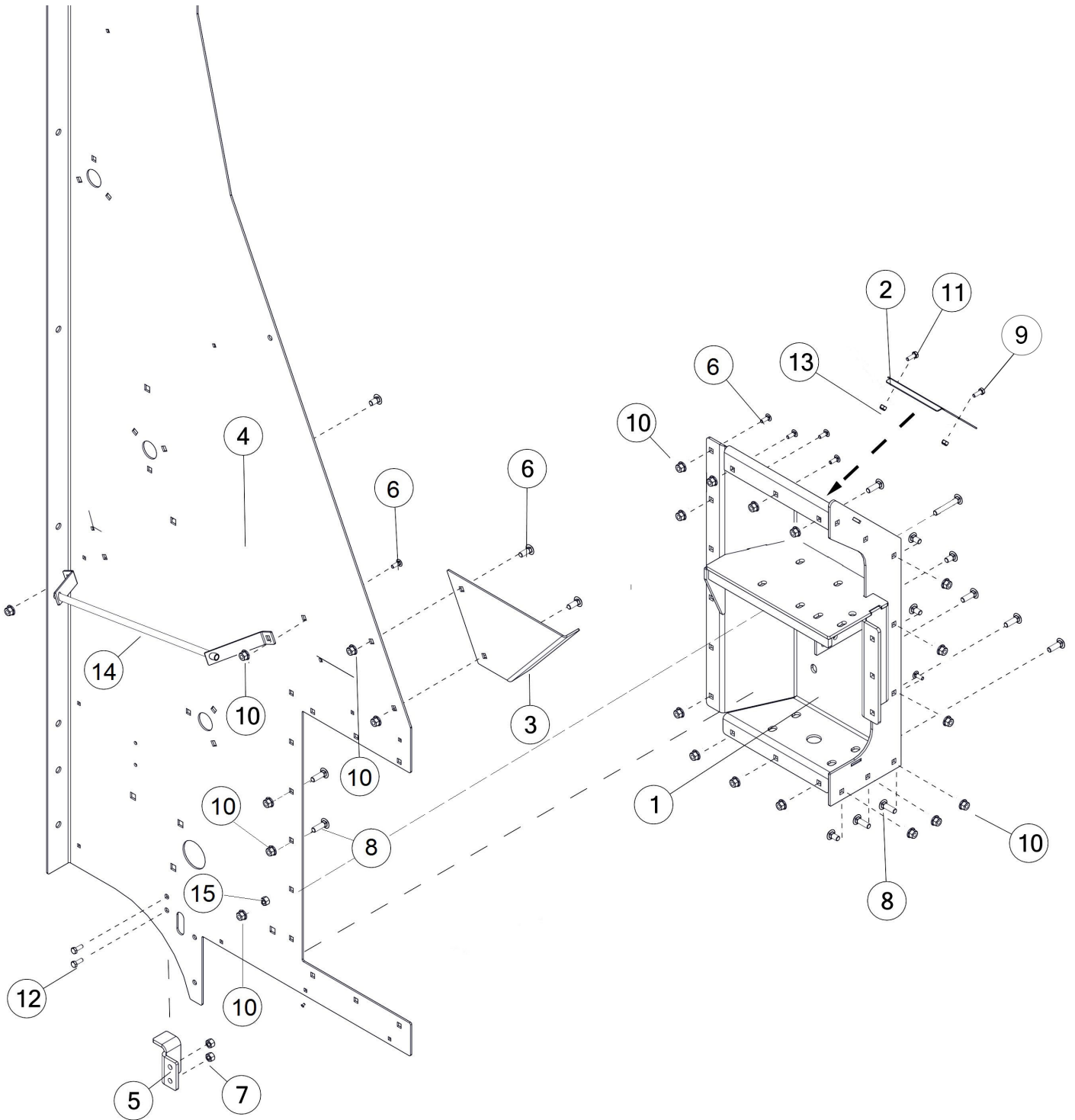
**FIGURE 6**  
**MAIN SIDE PANEL LH**



**FIGURE 6**  
**MAIN SIDE PANEL LH**

<b><u>ITEM</u></b>	<b><u>QTY</u></b>	<b><u>PART#</u></b>	<b><u>DESCRIPTION</u></b>
1	1	86543	UNIT SIDE PANEL LH
2	1	80620	EMERGENCY STOP BRACKET LH
3	1	73343	CORNER ANGLE LH
4	1	ST16	POLY SHIELD HOLDER
5	1	76340	CROSS CHAIN EXTENSION FRONT
6	1	76339	AUGER EXTENSION REAR
7	1	ST15	POLY SHIELD
8	2	YBCR12010	BOLT CARRIAGE, 3/8 X 1 G5
9	3	YBFB08075	BOLT FLANGE, 1/4 X 3/4 G5
10	2	YBHH12010	BOLT HEX, 3/8 X 1 G5
11	2	YBFB12075	BOLT FLANGE, 3/8 X 3/4 G5
12	7	YNFG08010	NUT FLANGE, 1/4 GF
13	8	YNFG12006	NUT FLANGE, 3/8 GF

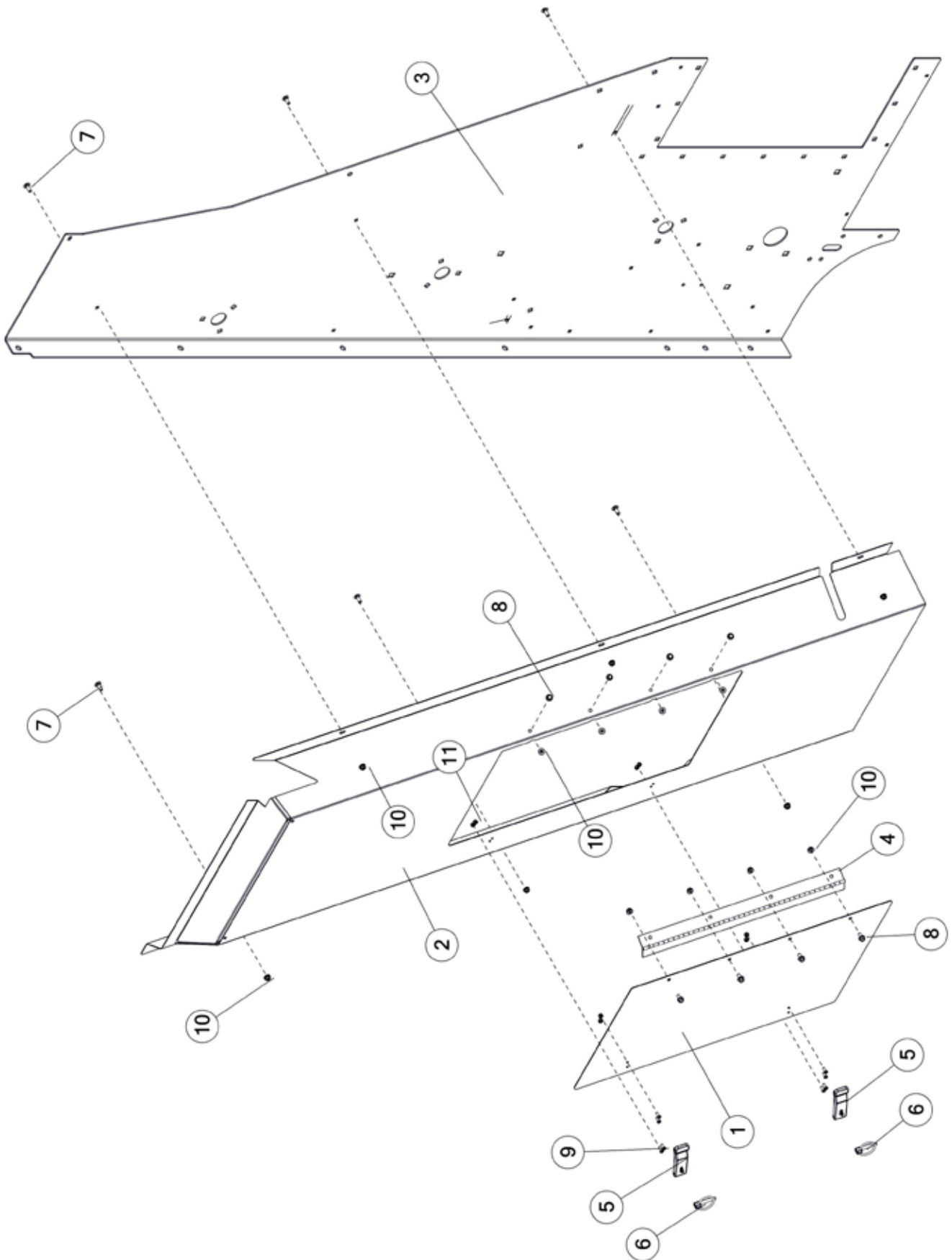
# FIGURE 7 HOUSING PANEL RH



## FIGURE 7 HOUSING PANEL RH

<u>ITEM</u>	<u>QTY</u>	<u>PART#</u>	<u>DESCRIPTION</u>
1	1	78116	GEARBOX PANEL RH
2	1	78960	COVER
3	1	80619	EMERGENCY STOP PANEL RH
4	1	86553B	SIDE PANEL RH
5	1	73401	SUPPORT BRACKET
6	15	YBCR12010	BOLT CARRIAGE, 3/8 X 1 G5
7	2	YNL12005	NUT HEX, 3/8
8	8	YBCR12020	BOLT CARRIAGE, 3/8 X 1-1/4 G5
9	1	YBCR12105	BOLT CARRIAGE, 3/8 X 4-1/2 G5
10	24	YNFG12006	FLANGE NUT, 3/8
11	2	YBFB08075	FLANGE BOLT, 1/4 X 3/4 G5
12	2	YBHH12010	BOLT HEX, 3/8 X G5
13	2	YNFG08010	FLANGE NUT, 1/4
14	1	80556	SAFETY CABLE GUID
15	1	YNHX12005	NUT HEX, 3/8

**FIGURE 8**  
**TOP SIDE PANEL RH**

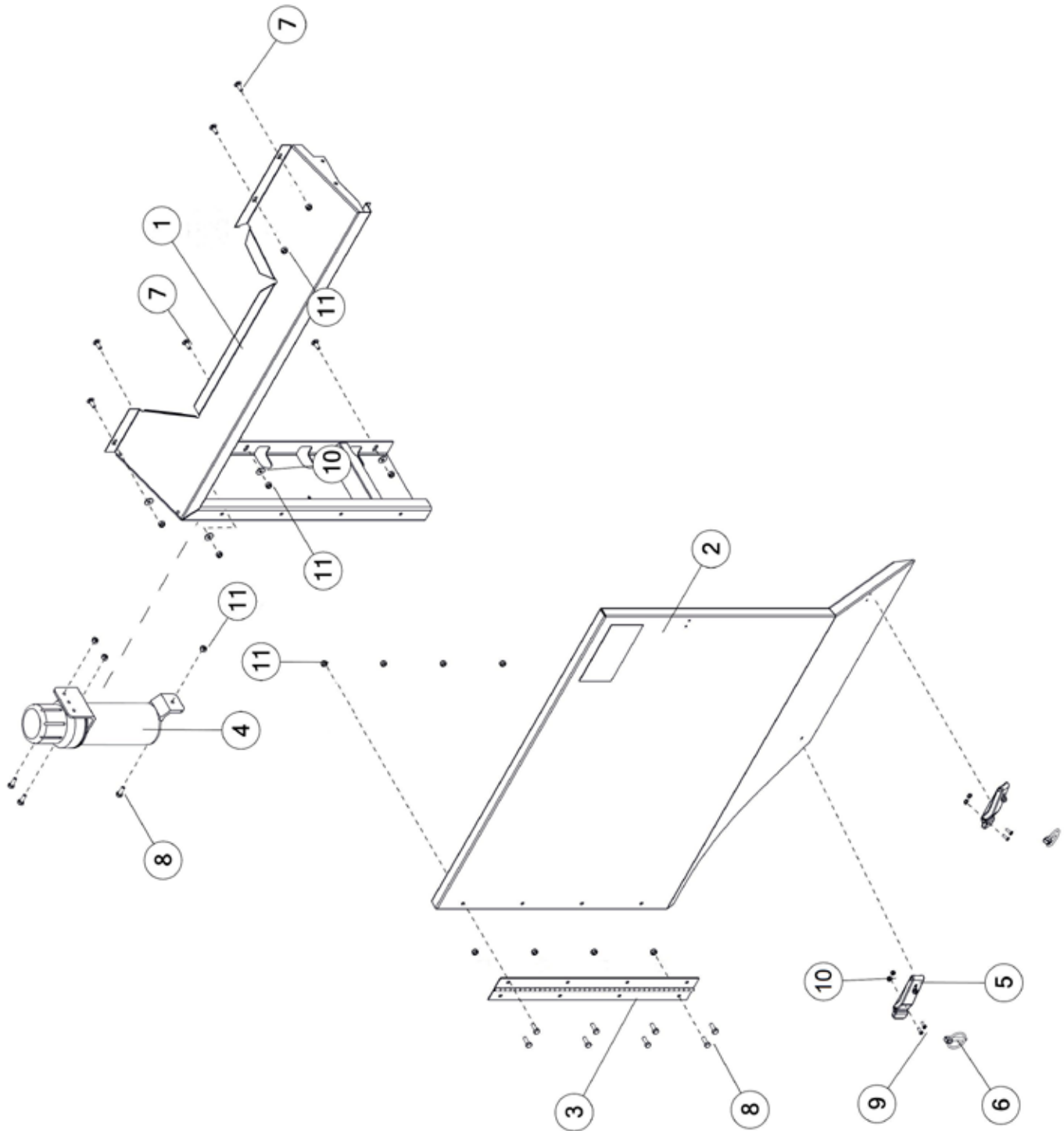




**FIGURE 8**  
**TOP SIDE PANEL RH**

<b><u>ITEM</u></b>	<b><u>QTY</u></b>	<b><u>PART#</u></b>	<b><u>DESCRIPTION</u></b>
1	1	83246	BEATER SHIELD DOOR
2	1	83244	BEATER CHAIN SHIELD
3	1	86553B	UNIT SIDE PANEL RH
4	1	74267	PIANO HINGE
5	2	80180	DRAW LATCH
6	2	YPLY08011	LYNCH PIN, 1/4 X 1-9/16
7	6	YBCR08040	BOLT CARRIAGE, 1/4 X 3/4 G5
8	8	YBFB08005	BOLT FLANGE, 1/4 X 1/2 G5
9	8	YSPP62006	PPHMS, #8-32 X .5
10	12	YNFG08010	NUT FLANGE, 1/4
11	8	YNNY62005	NUT HEX, #8-32 G2

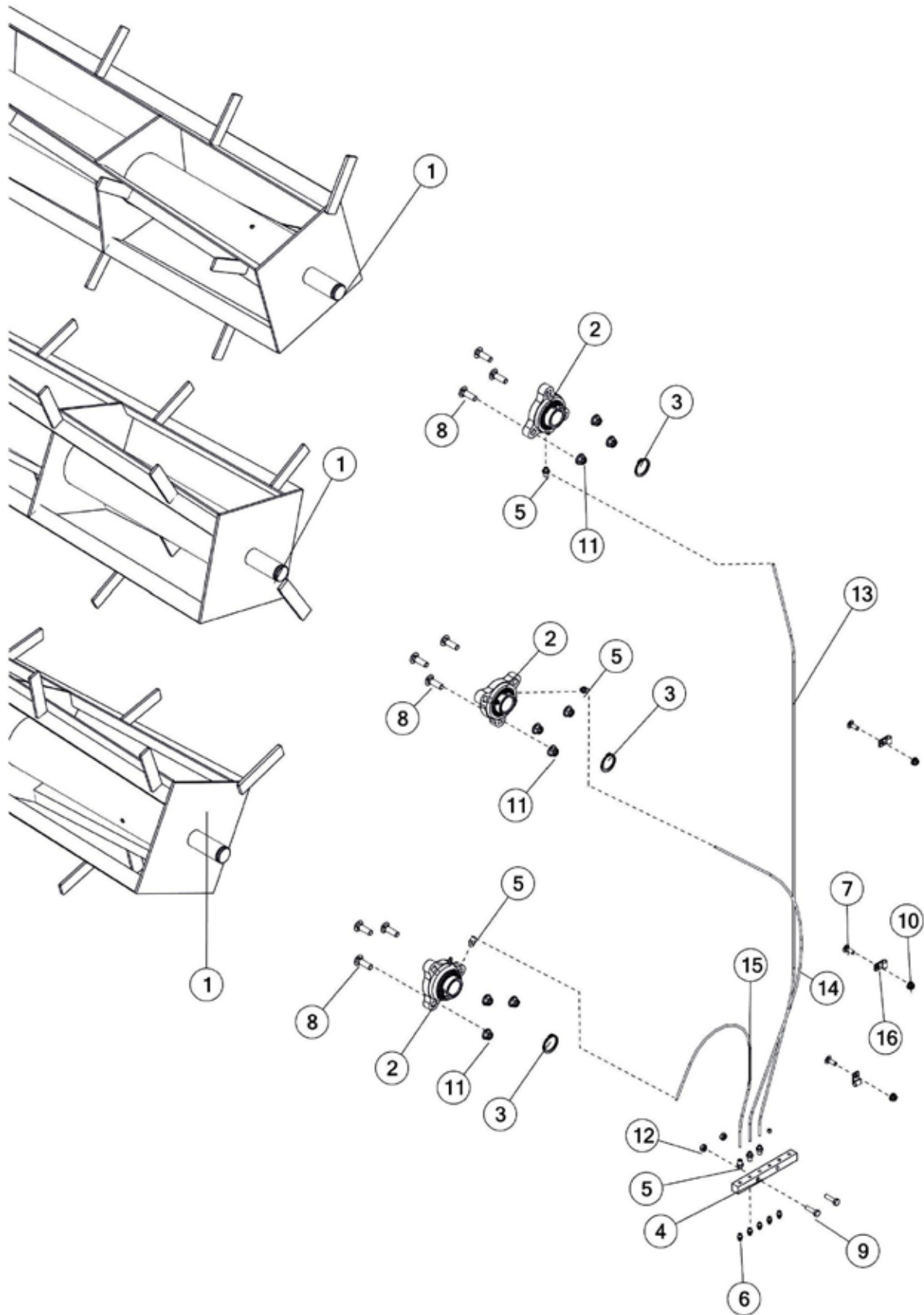
**FIGURE 9**  
**SIDE DOOR & COMPONENTS RH**



**FIGURE 9**  
**SIDE DOOR & COMPONENTS RH**

<b><u>ITEM</u></b>	<b><u>QTY</u></b>	<b><u>PART#</u></b>	<b><u>DESCRIPTION</u></b>
1	1	86556	LOWER SIDE SHIELD
2	1	81512	GEARBOX SIDE SHIELD RH
3	1	74267	PIANO HINGE
4	1	S522	MANUAL HOLDER
5	2	80180	DRAW LATCH
6	2	YPLY08011	LYNCH PIN, 1/4 X 1-9/16
7	6	YBCR08040	BOLT CARRIAGE, 1/4 X 3/4 G5
8	11	YBFB08075	BOLT FLANGE, 1/4 X 3/4
9	4	YSPP62006	SCREW, #8-32 X 5
10	4	YNNY62005	NUT HEX, #8-32 G2
11	17	YNFG08010	NUT FLANGE, 1/4

**FIGURE 10**  
**BEATER & COMPONENTS LH**

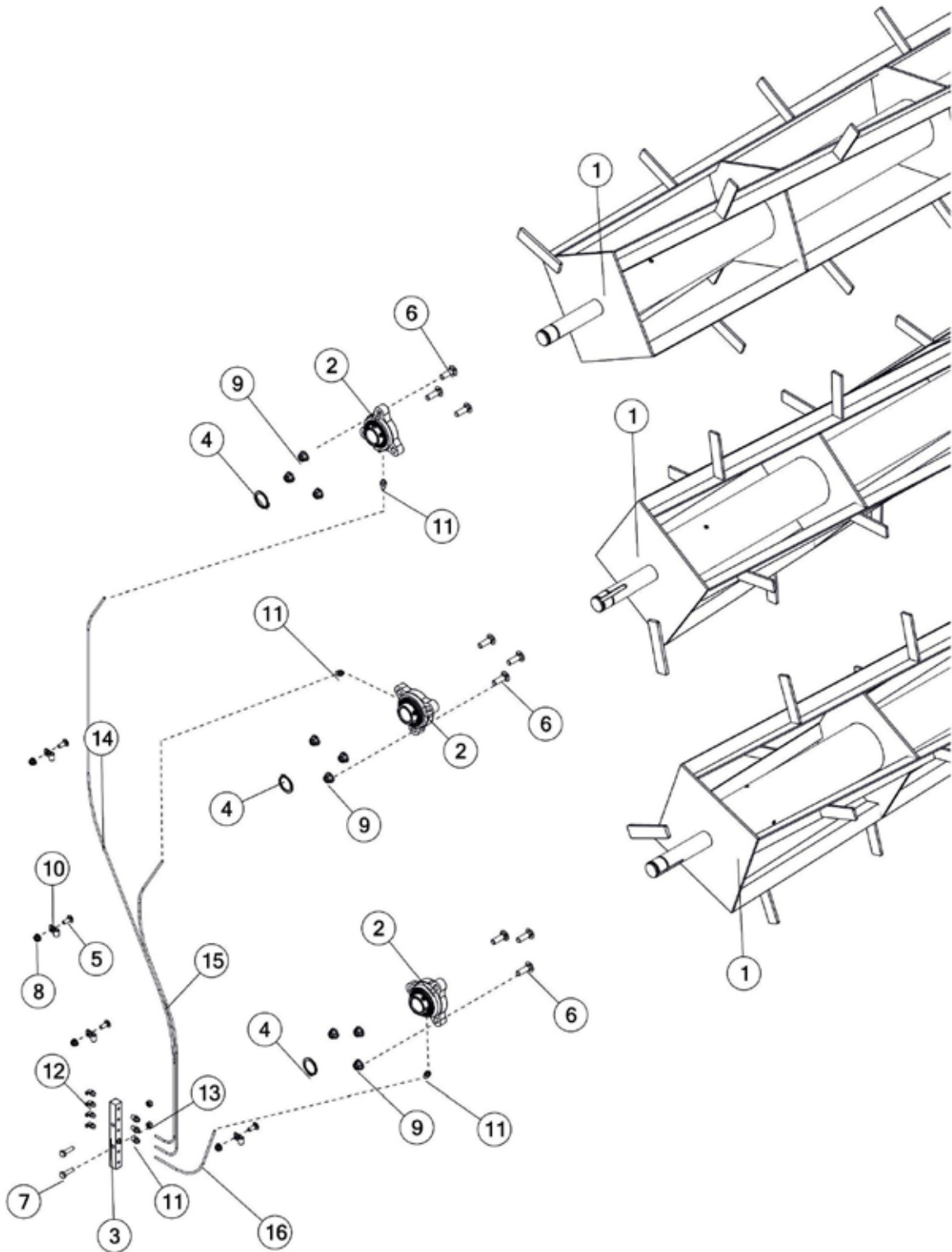


## FIGURE 10

### BEATER & COMPONENTS LH

<u>ITEM</u>	<u>QTY</u>	<u>PART#</u>	<u>DESCRIPTION</u>
1	3	76201	BEATER
2	3	80662	BEARING 1-1/4
3	3	F73	SNAP RING 1-1/4
4	1	72769	GREASE MANIFOLD
5	3	54572	GREASE LINE FITTING, STRAIGHT
6	5	RG51	ZERK, 90 DEGREE 1/4-28
7	3	YBCR08040	BOLT CARR, 1/4 X 3/4 G5
8	9	YBCR12020	BOLT CARR, 3/8 X 1-1/4, G5
9	2	YBHH08010	BOLT, 1/4-20 X 1 G5
10	3	YNFG08010	NUT FLG, 1/4
11	9	YNFG12006	NUT FLG, 3/8
12	2	YNRL08005	NUT HEX, 1/4
13	1	78980	GREASE LINE
14	1	78981	GREASE LINE
15	1	78982	GREASE LINE
16	3	83052	CUSHION WIRE CLAMP 5/16

**FIGURE 11**  
**BEATER & COMPONENTS RH**

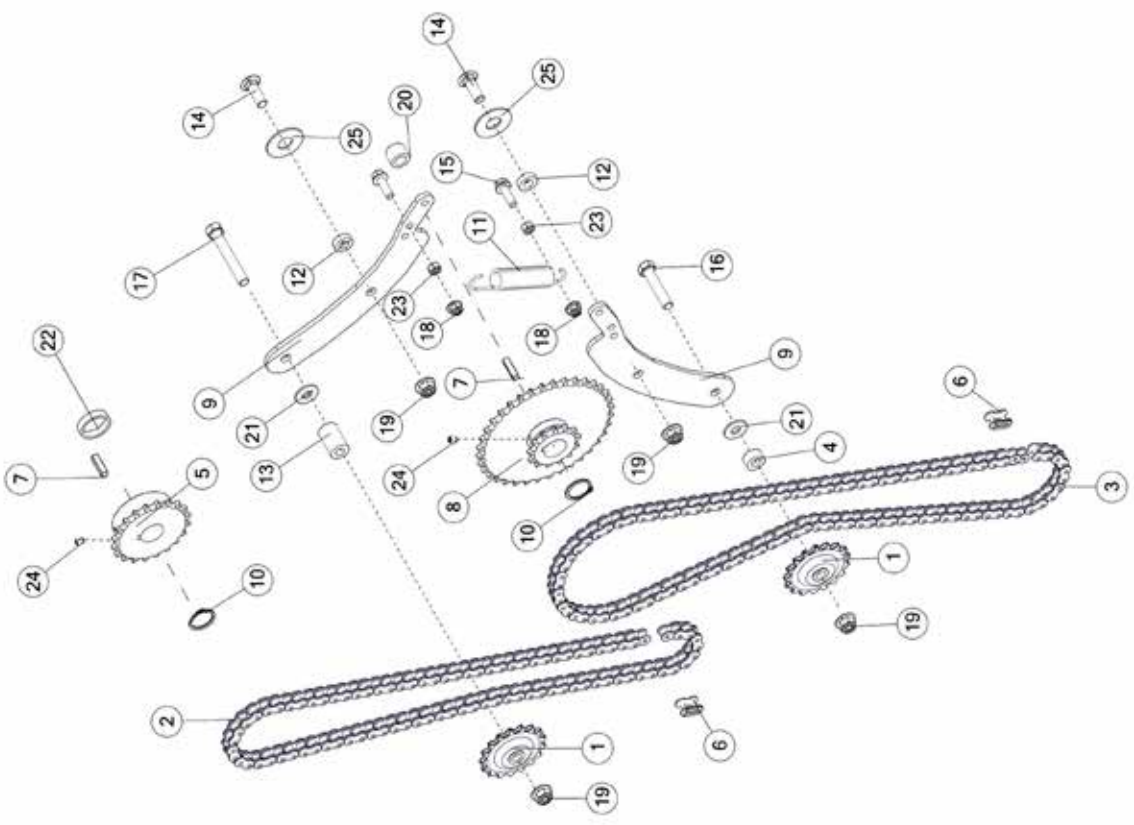
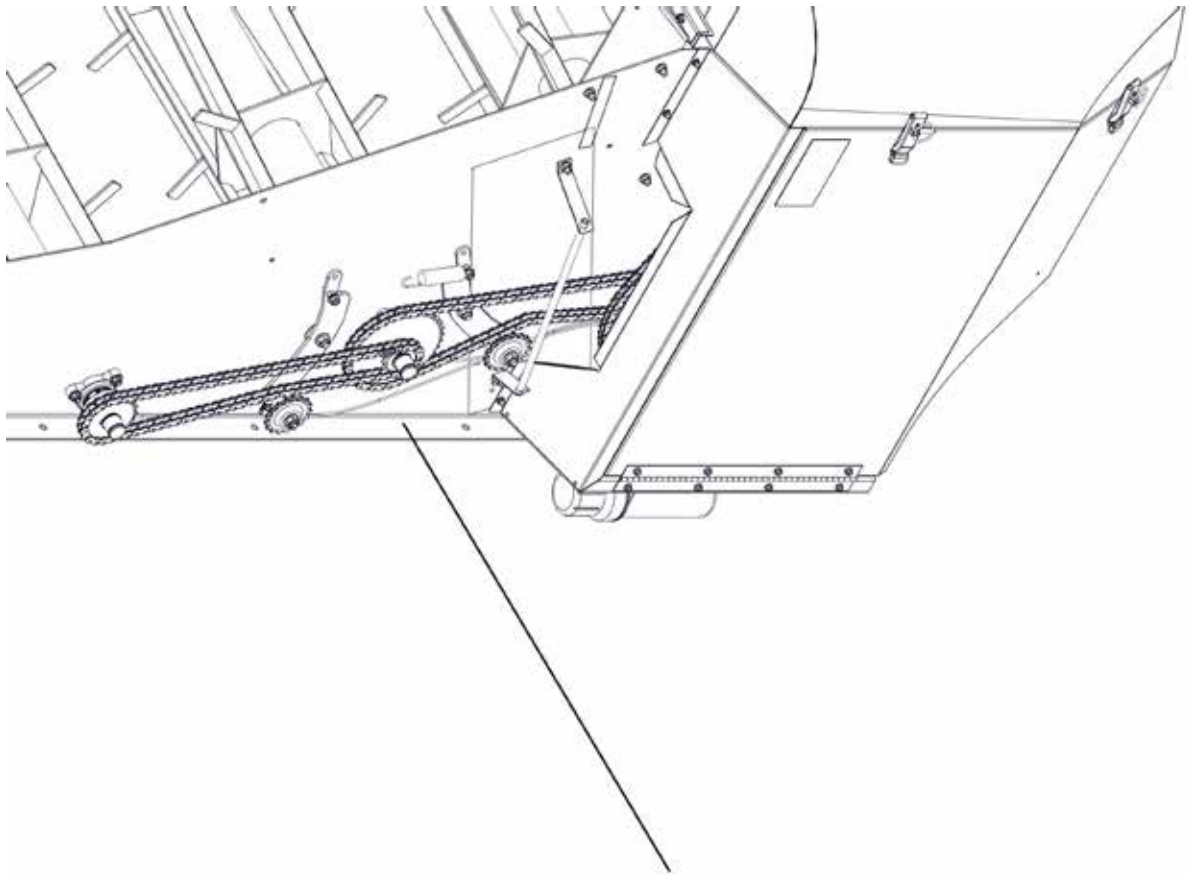


# FIGURE 11

## BEATER & COMPONENTS RH

<u>ITEM</u>	<u>QTY</u>	<u>PART#</u>	<u>DESCRIPTION</u>
1	3	76201	BEATER
2	3	80662	BEARING 1-1/4
3	1	72769	GREASE MANIFOLD
4	3	F73	SNAP RING 1-1/4
5	3	YBCR08040	BOLT CARR, 1/4 X 3/4 G5
6	9	YBCR12020	BOLT CARR, 3/8 X 1-1/4 G5
7	2	YBHH08010	BOLT, 1/4 X 1 G5
8	4	YNFG08010	NUT FLG, 1/4
9	9	YNFG12006	NUT FLG, 3/8
10	4	83052	CUSHION WIRE CLAMP 5/16
11	6	54572	GREASE LINE FITTING, STRAIGHT
12	4	RG51	90 DEGREE ZERK 1/4-28
13	2	YNRL08005	NUT HEX, 1/4
14	1	76353	GREASE LINE
15	1	78978	GREASE LINE
16	1	78979	GREASE LINE

# FIGURE 12 BEATER CHAINS & SPROCKETS



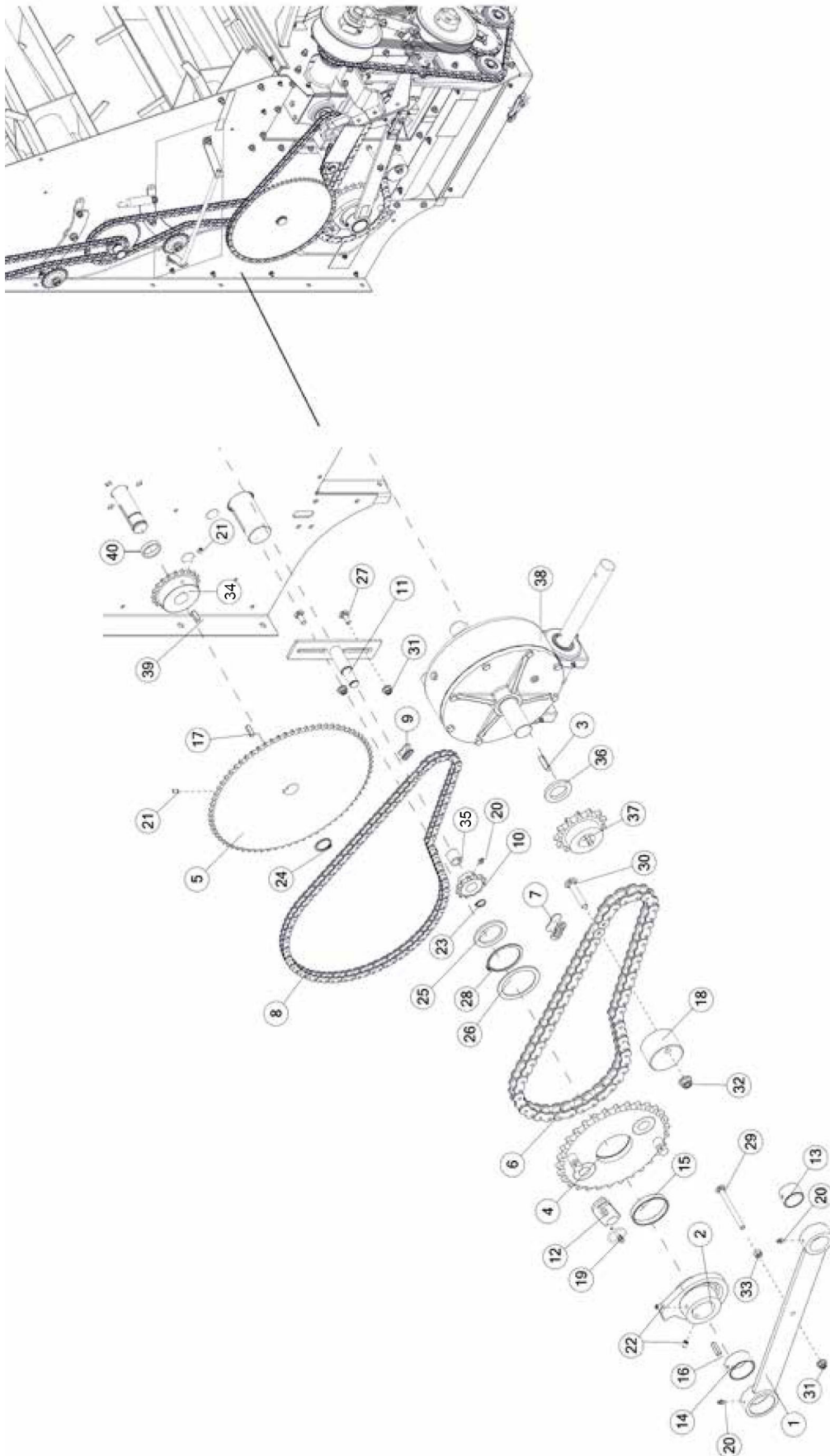


## FIGURE 12

### BEATER CHAINS & SPROCKETS

<u>ITEM</u>	<u>QTY</u>	<u>PART#</u>	<u>DESCRIPTION</u>
1	2	K101	IDLER SPROCKET, 17T
2	1	X58	ROLLER CHAIN #50 X 89 PITCHES
3	1	73377	ROLLER CHAIN #50 X 102 PITCHES
4	1	SD88	TENSIONER SPACER
5	1	S26	SPROCKET, 50B20
6	2	X61	CONNECTOR LINK #50
7	2	G23A	SQUARE KEY, 5/16 X 1-1/4
8	1	72641	SPROCKET 36T - 13T
9	2	SD77	CHAIN TIGHTENER BAR
10	2	F73	SNAP RING, 1-1/4
11	1	R27	SPRING
12	2	SD177	SHELL SPACER
13	1	SD212	TENSIONER SPACER
14	2	YBCR16010	BOLT CARRIAGE, 1/2 X 1-1/2 G5
15	2	YBFB12125	BOLT FLANGE, 3/8 X 1-1/4 G5
16	1	YBHH16080	BOLT HEX, 1/2 X 2-1/2 G5
17	1	YBHH16115	BOLT HEX, 1/2 X 3-1/2 G5
18	2	YNFG12006	NUT FLANGE, 3/8
19	4	YNFG16003	NUT FLANGE, 1/2
20	1	76301	SPACER
21	2	YWFL16005	WASHER FLAT, 1/2
22	1	80610	SPACER
23	2	YNHX12005	NUT, HEX, 3/8-16
24	2	YSKP10010	SCREW SET, SOCKET, KNURLED CUP PT, 5/16 X 3/8
25	2	YWFL24005	WASHER FLAT, 3/4

**FIGURE 13**  
**MAIN APRON & CROSS CONVEYOR DRIVE**

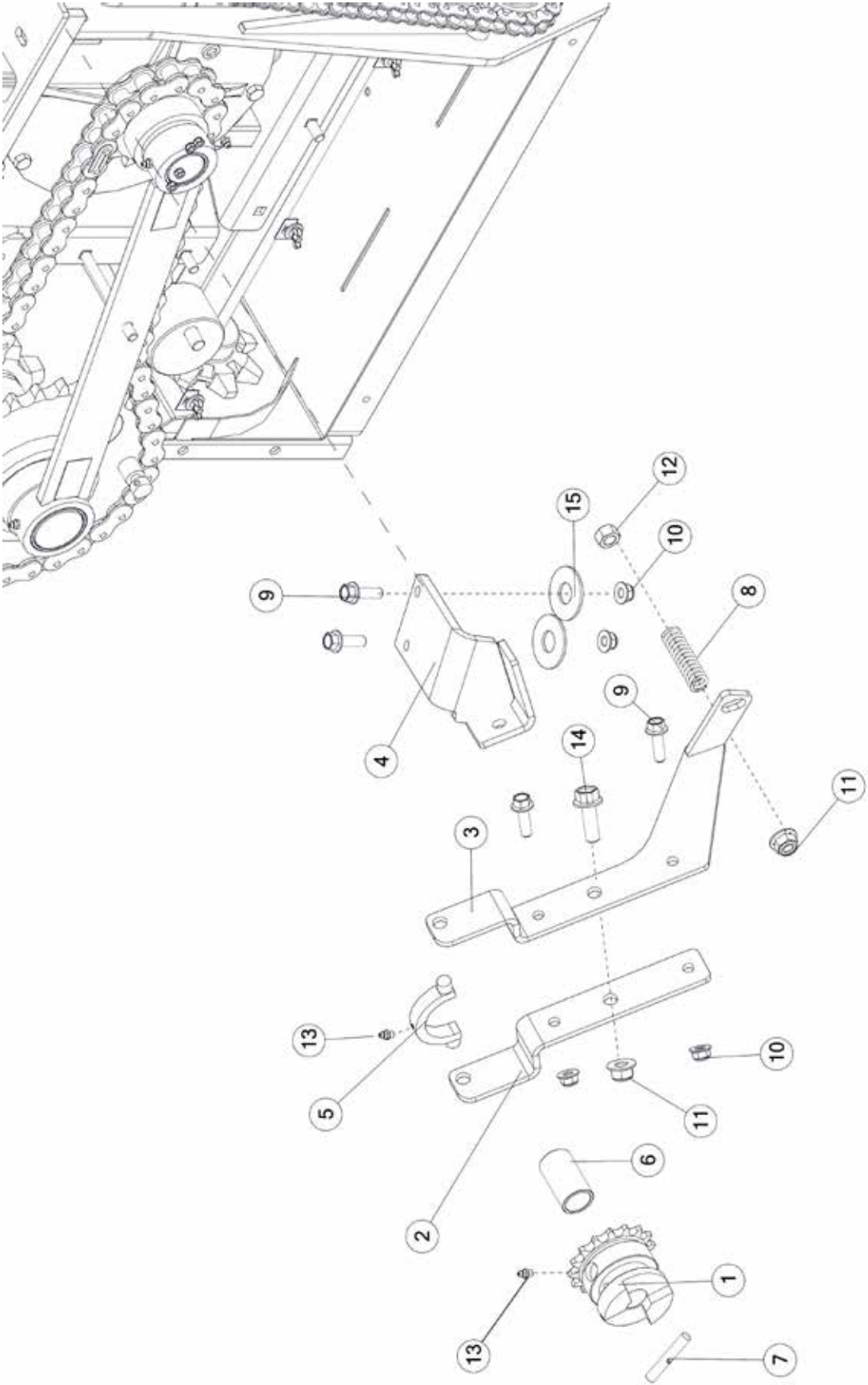


## FIGURE 13

### MAIN APRON & CROSS CONVEYOR DRIVE

<u>ITEM</u>	<u>QTY</u>	<u>PART#</u>	<u>DESCRIPTION</u>
1	1	72714	DRIVE SHAFT BRACE
2	1	72697	CLUTCH DOG CENTER
3	1	S436	SQUARE KEY, 3/8 X 1-1/2
4	1	72703	SPROCKET, #80, A, 30T
5	1	76168	SPROCKET, 50B72, 1.25 ID
6	1	73380	ROLLER CHAIN, #80 X 60 PITCHES
7	1	F157	CONNECTOR LINK #80
8	1	73377	ROLLER CHAIN, #50 X 102 PITCHES
9	1	X61	CONNECTOR LINK #50
10	1	S34	CAST SPROCKET 12T
11	1	76302	CHAIN TIGHTENER
12	1	PB191	CLUTCH PIN
13	1	S41	BRONZE BUSHING 1.75 X 1.5 X 1.125
14	1	72652	BRONZE BUSHING
15	1	72705	BRONZE BUSHING, 3 X 3.25 X 0.45
16	1	G23A	SQUARE KEY, 5/16 X 1-1/4
17	1	WM121	SQUARE KEY, 5/16 X 1
18	1	73397	POLY CHAIN TIGHTENER
19	1	YPLY06010	LYNCH PIN, 3/16 X 1-9/16
20	3	G89	STRAIGHT ZERK 1/4-28 X 90
21	2	YSKP10010	SCREW SET, SOCKET, KNURLED CUP PT, 5/16 X 3/8
22	2	YSKP12010	SCREW SET, SOCKET, KNURLED CUP PT, 3/8 X 1/2
23	1	10R32	SNAP RING, .7
24	1	F73	SNAP RING, 1-1/4
25	1	72680	DRIVE SHAFT SHIM
26	1	72712	CLUTCH SPROCKET SHIM
27	1	YBCR12010	BOLT CARRIAGE, 3/8 X 1 G5
28	1	SD202	SNAP RING, 3
29	1	YBCR12105	BOLT CARRIAGE, 3/8 X 4-1/2 G5
30	1	YBCR16035	BOLT CARRIAGE, 1/2 X 2-3/4 G5
31	2	YNFG12006	NUT FLANGE, 3/8
32	1	YNFG16003	NUT FLANGE, 1/2
33	1	YNHX12005	NUT HEX, 3/8
34	1	S26	SPROCKET, 50B20, 1.253 ID
35	1	S33	CHAIN TIGHTENER BUSHING
36	1	S327	SPACER WASHER
37	1	ST11	WORM GEAR SHAFT SPROCKET
38	1	G118	WORM GEARBOX
39	1	WM121	SQUARE KEY, 5/16 X 1
40	1	76301	SPACER

**FIGURE 14**  
**CLUTCH COMPONENTS**

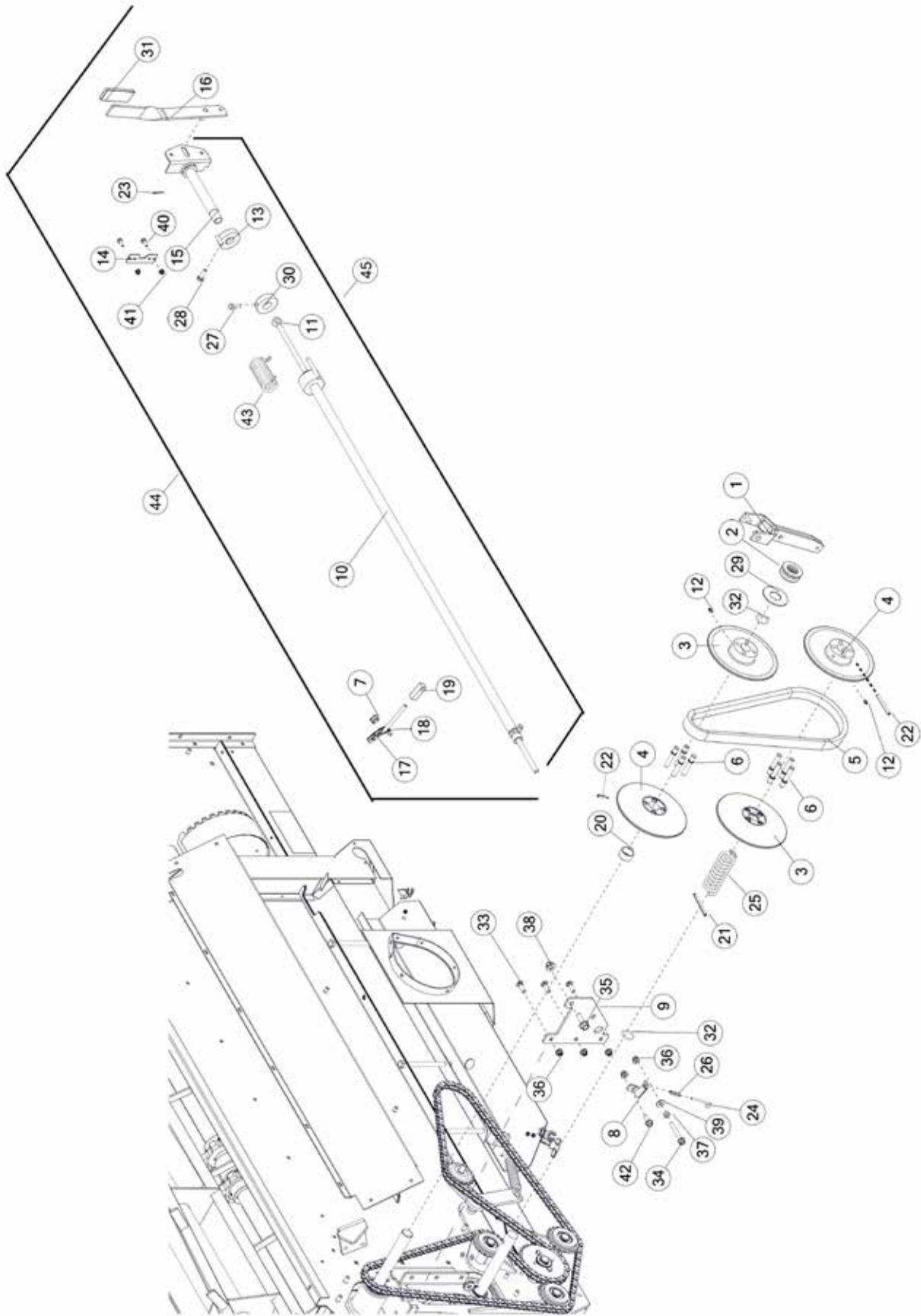


## FIGURE 14

### CLUTCH COMPONENTS

<u>ITEM</u>	<u>QTY</u>	<u>PART#</u>	<u>DESCRIPTION</u>
1	1	S116	BEATER CLUTCH
2	1	76161	CLUTCH ARM SHORT
3	1	76159	CLUTCH ARM LONG
4	1	78127	CLUTCH
5	1	57264	BRONZE YOKE
6	1	S117	BRONZE BUSHING
7	1	S115	BEATER CLUTCH PIN
8	1	S111	SPRING
9	3	YBFB12125	BOLT FLANGE, 3/8 X 1-1/4 G5
10	3	YNFG12006	NUT FLANGE, 3/8
11	2	YNFG16003	NUT FLANGE, 1/2
12	1	YNHX16005	NUT HEX, 1/2
13	2	G89	STRAIGHT ZERK, 1/4-28 X 90
14	1	YBFB16150	BOLT FLANGE, 1/2 X 1-1/2 G5
15	2	YWFL24005	WASHER, FLAT, 3/4

# FIGURE 15 SHEAVES/BELT & COMPONENTS



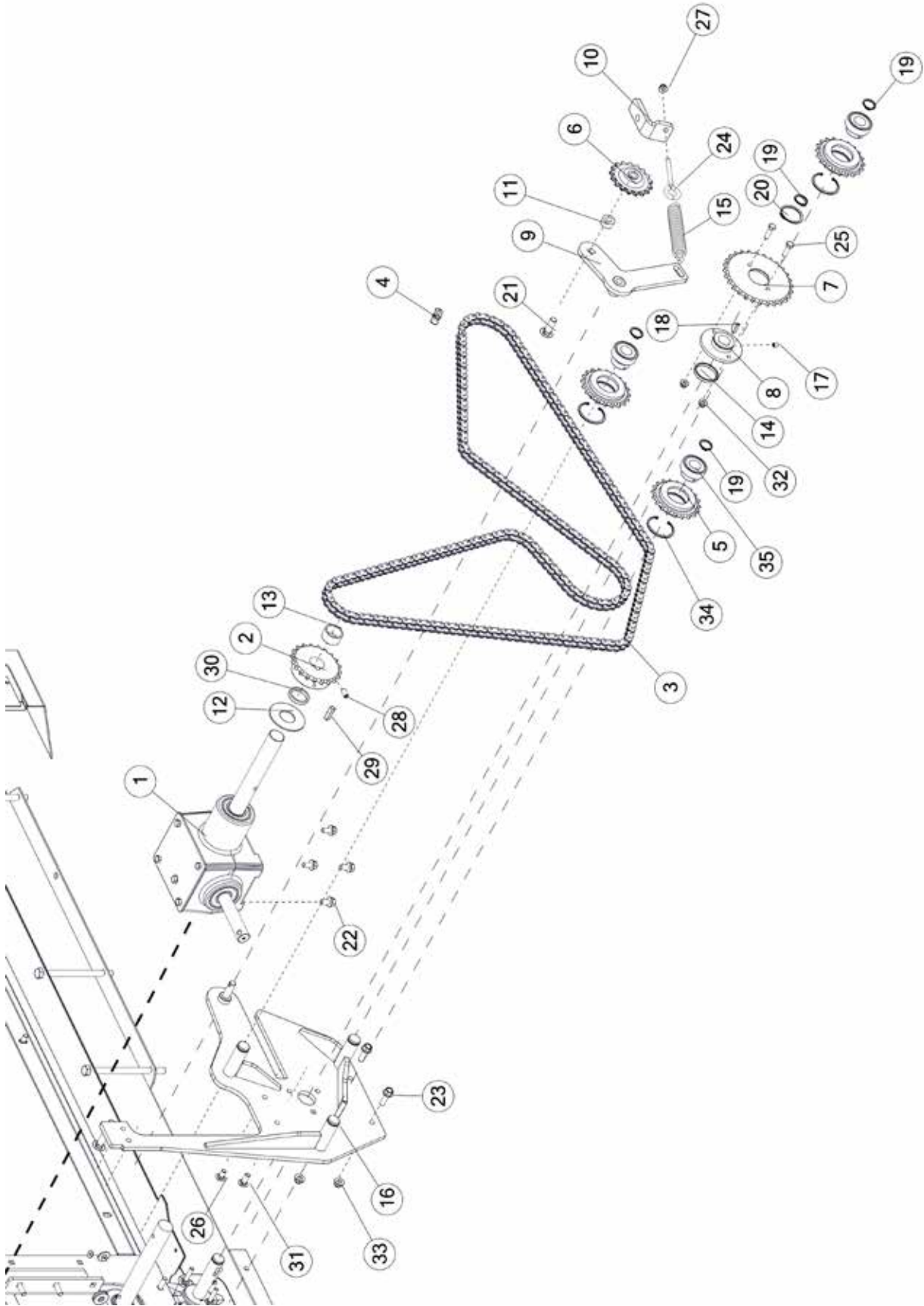
## FIGURE 15

### SHEAVES/BELT & COMPONENTS

<u>ITEM</u>	<u>QTY</u>	<u>PART#</u>	<u>DESCRIPTION</u>
1	1	S105	VARIABLE SPEED SHIFTER
2	1	S100	THRUST BEARING
3	2	67806	SHEAVE, DRIVE
4	2	67810	SHEAVE
5	1	S108	VARIABLE SPEED BELT
6	8	68031	ROUND SHAFT
7	1	S102	CHAIN #40 CONNECTOR LINK
8	1	S221	SPRING SHIFTING BRACKET
9	1	72947	SHIFTING BRACKET
10	1	73289	SHIFTER PIPE
11	1	73291	SHIFTING ROD (BEATER)
12	2	G89	STRAIGHT ZERK 1/4-28 X 90
13	1	S291	SPRING PIN COLLAR LH
14	1	72297	PLATE 3.75x1.25x.0598 SHIFTING PIPE BRACKET THIN
15	1	76550	SHIFTER HANDLE PIPE END
16	1	S364	SHIFTER HANDLE
17	1	S101	CHAIN
*	1	S102	CONNECTOR LINK
18	1	S103	SHIFTING LINKAGE
19	1	S104	ADJUSTMENT BLOCK
20	1	78976	SPACER, .77
21	2	YPEX08020	EXPANSION PIN
22	2	YPEX10030	EXPANSION PIN, 5/16 X 3
23	1	YPCT04005	COTTER PIN, 1/8 X 1
24	1	S220	SHIFTING SPRING ROD
25	1	S109	SPRING
26	1	S222	SPRING
27	1	YBHH12010	BOLT HEX, 3/8 X 1 G5
28	1	YBHH12035	BOLT HEX, 3/8 X 1-1/4 G5
29	1	78974	SPACER
30	1	S293	SHIFTER PRELOAD COLLAR
31	1	S403	HANDLE GRIP
32	2	S99	O-RING
33	3	YBCR12020	BOLT CARRIAGE, 3/8 X 1-1/4 G5
34	1	YBFB12275	BOLT FLANGE, 3/8 X 2-3/4 G5
35	1	YBFB16150	BOLT FLANGE, 1/2 X 1-1/2 G5
36	5	YNFG12006	NUT FLANGE, 3/8
37	1	K94	SPACER CHAIN TIGHTENER
38	1	YNFG16003	NUT FLANGE, 1/2
39	1	YWFL12005	WASHER FLAT, 3/8
40	2	YBFB08075	BOLT FLANGE, 1/4 X 3/4 G5
41	2	YNFG08010	NUT FLANGE, 1/4
42	1	YBFB12003	BOLT FLANGE, 3/8 X 1 G5
43	1	S292	SPRING
44	1	73208	SHIFTER PIPE ASSEMBLY
45	1	73288	SHIFTER PIPE & COMPONENTS

\* NOT SHOWN

**FIGURE 16**  
**FRONT DRIVE CHAIN/SPROCKET & COMPONENTS**



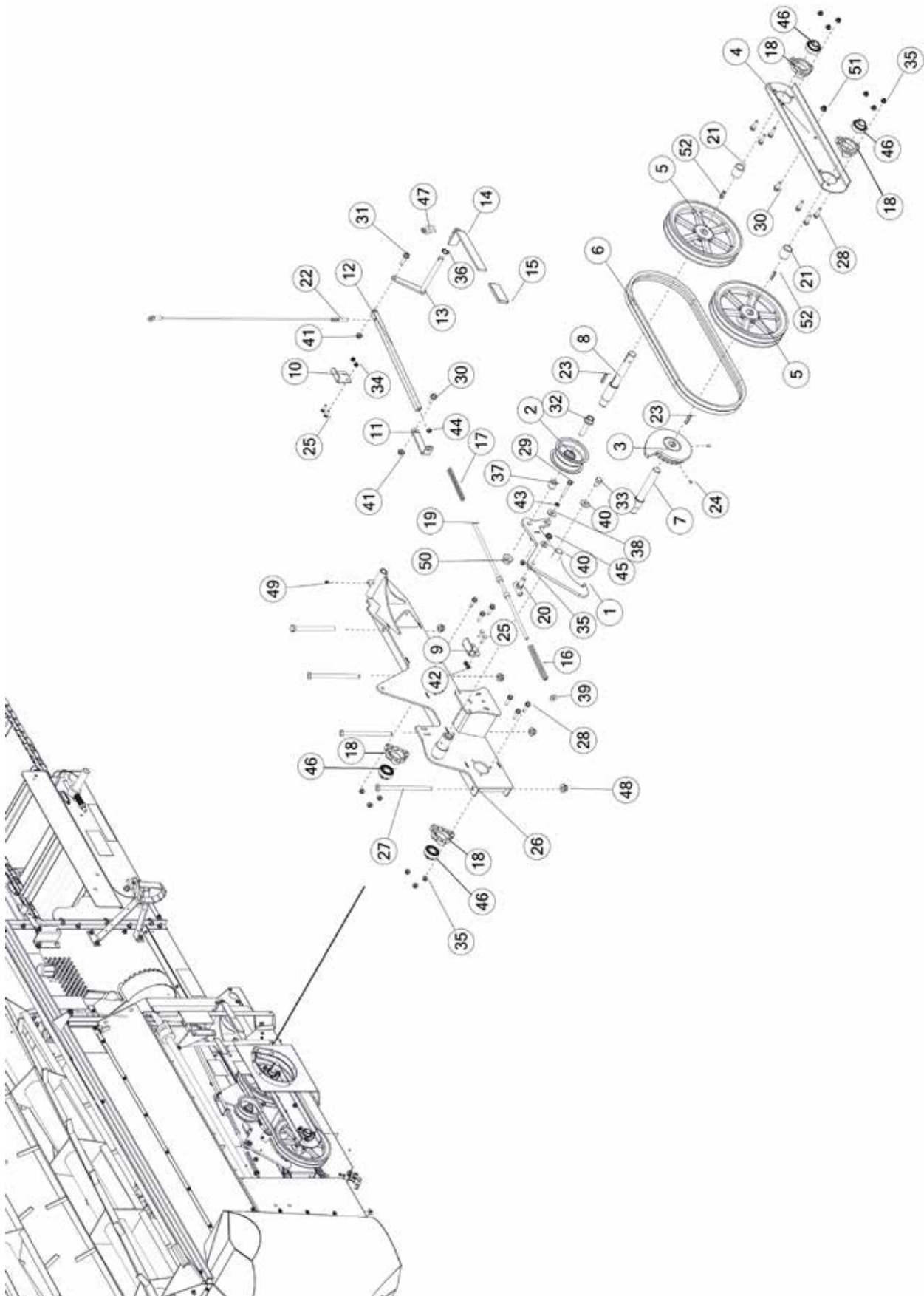


## FIGURE 16

### FRONT DRIVE CHAIN/SPROCKET & COMPONENTS

<u>ITEM</u>	<u>QTY</u>	<u>PART#</u>	<u>DESCRIPTION</u>
1	1	78963	BEVEL GEAR BOX
2	1	S26	SPROCKET, 50B20
3	1	79010	ROLLER CHAIN, #50 X 214 PITCHES
4	1	X61	CONNECTOR LINK, #50
5	3	61147	IDLER SPROCKET, 20T
6	1	K101	IDLER SPROCKET, 17T
7	1	76706	SPROCKET, 28T
8	1	S391	SHEAR HUB
9	1	79005	TIGHTENER BRACKET
10	1	79007	TIGHTEN SPRING BRACKET
11	1	73305	SPROCKET SPACER
12	1	78974	SPACER
13	1	78976	SPACER
14	1	S393	BRONZE BUSHING, 2 X 1-3/4
15	1	ST36	TENSION SPRING
16	1	78991	IDLER MOUNT
17	1	YSKP10010	SCREW SET, SOCKET, KNURLED CUP PT, 5/16 X 3/8
18	1	5B10	WOODRUFF KEY, 1/4 X 1
19	4	3G21	SNAP RING, 1
20	1	S394	SNAP RING, 1-3/4
21	1	YBCR16010	BOLT CARRIAGE, 1/2 X 1-1/2 G5
22	4	YBFB12075	BOLT FLANGE, 3/8 X 3/4 G5
23	2	YBFB12125	BOLT FLANGE, 3/8 X 1-1/4 G5
24	1	YBTE10035	BOLT TURNED EYE, 5/16 X 3
25	2	YBHH10050	BOLT HEX, 5/16 X 1-1/8 G5
26	1	YBCR12065	BOLT CARRIAGE, 3/8 X 3/4 G5
27	1	YNFG10005	NUT FLANGE, 5/16
28	1	YSKP12035	SCREW SOCKET, KNRD CUP PT 3/8 X 3/4
29	1	G23A	SQUARE KEY, 5/16 X 1-1/4
30	1	80607	SPACER
31	1	YBCR12010	BOLT CARRIAGE, 3/8 X 1
32	1	YNFG10005	NUT FLANGE, 5/16
33	2	YNFG12006	NUT FLANGE, 3/8
34	3	K92	INTERNAL SNAP RING
35	3	K90	BEARING

**FIGURE 17**  
**FRONT DRIVE/BELTS & COMPONENTS**

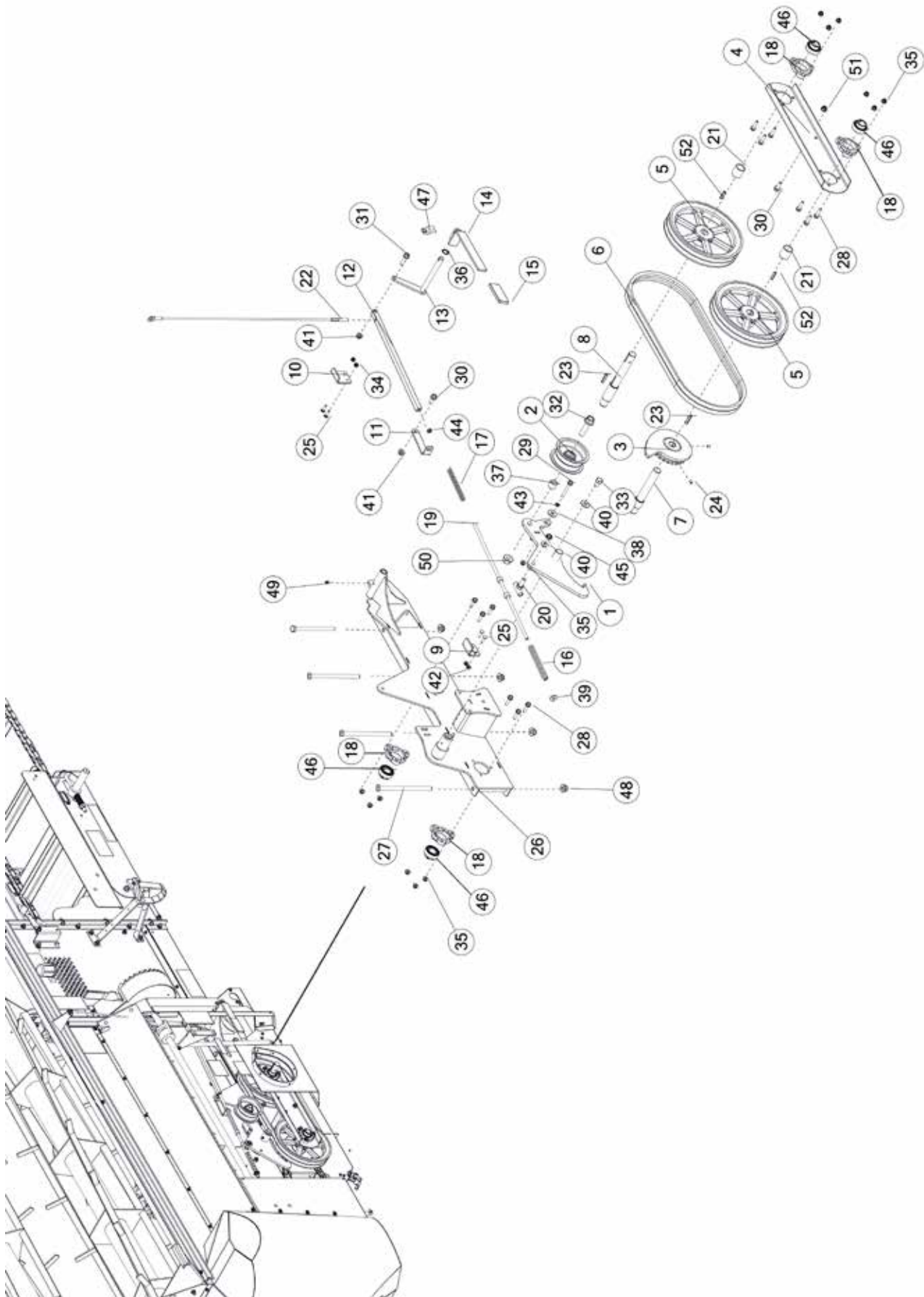


## FIGURE 17

### FRONT DRIVE/BELTS & COMPONENTS

<u>ITEM</u>	<u>QTY</u>	<u>PART#</u>	<u>DESCRIPTION</u>
1	1	80630	IDLER BRAKE ARM
2	1	GM127	IDLER PULLEY
3	1	78898	SPROCKET, STOP DISK
4	1	78921	BEARING BRACKET
5	2	80531	PULLEY
6	1	SD1	DRIVE BELT SET
7	1	80534	OUTPUT SHAFT
8	1	80672	INPUT SHAFT
9	1	80700	BRAKE ARM PIVOT STOP
10	1	72755	CLUTCH HANDLE STOP
11	1	80678	SPRING BRACKET
12	1	80685	SHIFTER ROD END
13	1	80675	HANDLE PIVOT
14	1	76455	CLUTCH HANDLE
15	1	S362	HANDLE LEVER GRIP
16	1	23N211	SPRING
17	1	S369	SPRING
18	4	80530	PILLOW BLOCK BEARING, 1
19	1	SD34	PRIMARY CLUTCH ROD
20	1	S344	CLUTCH ROD SLIDE
21	2	80671	SPACER
22	1	80576	EMERGENCY STOP CABLE
23	2	PB218	SQUARE KEY, 1/4 X 1-1/2
24	2	YSKP10010	SCREW SET, SOCKET, KNURLED CUP PT, 5/16 X 3/8
25	4	YBCR08005	BOLT CARRIAGE, 1/4 X 1 G5
26	1	80733	CLUTCH FRAME
27	4	YBHH16175	BOLT HEX, 1/2 X 6-1/2
28	9	YBFB10125	BOLT FLANGE, 5/16 X 1-1/4 G5
29	1	YBFB10250	BOLT FLANGE, 5/16 X 2-1/2 G5
30	2	YBFB12003	BOLT FLANGE, 3/8 X 1 G5
31	1	YBFB12150	BOLT FLANGE, 3/8 X 1-1/2 G5
32	1	YBFB20300	BOLT FLANGE, 5/8 X 3 G5
33	1	YBHH16110	BOLT HEX, 1/2 X 3/4 G5
34	2	YNFG08010	NUT FLANGE, 1/4
35	13	YNFG10005	NUT FLANGE, 5/16
36	1	S352	RETAINING RING, SELF-LOCKING, 5/8
37	1	SD211	PULLEY IDLER SPACER
38	2	YWFL10005	WASHER FLAT, 5/16
39	1	YWFL12005	WASHER FLAT, 3/8

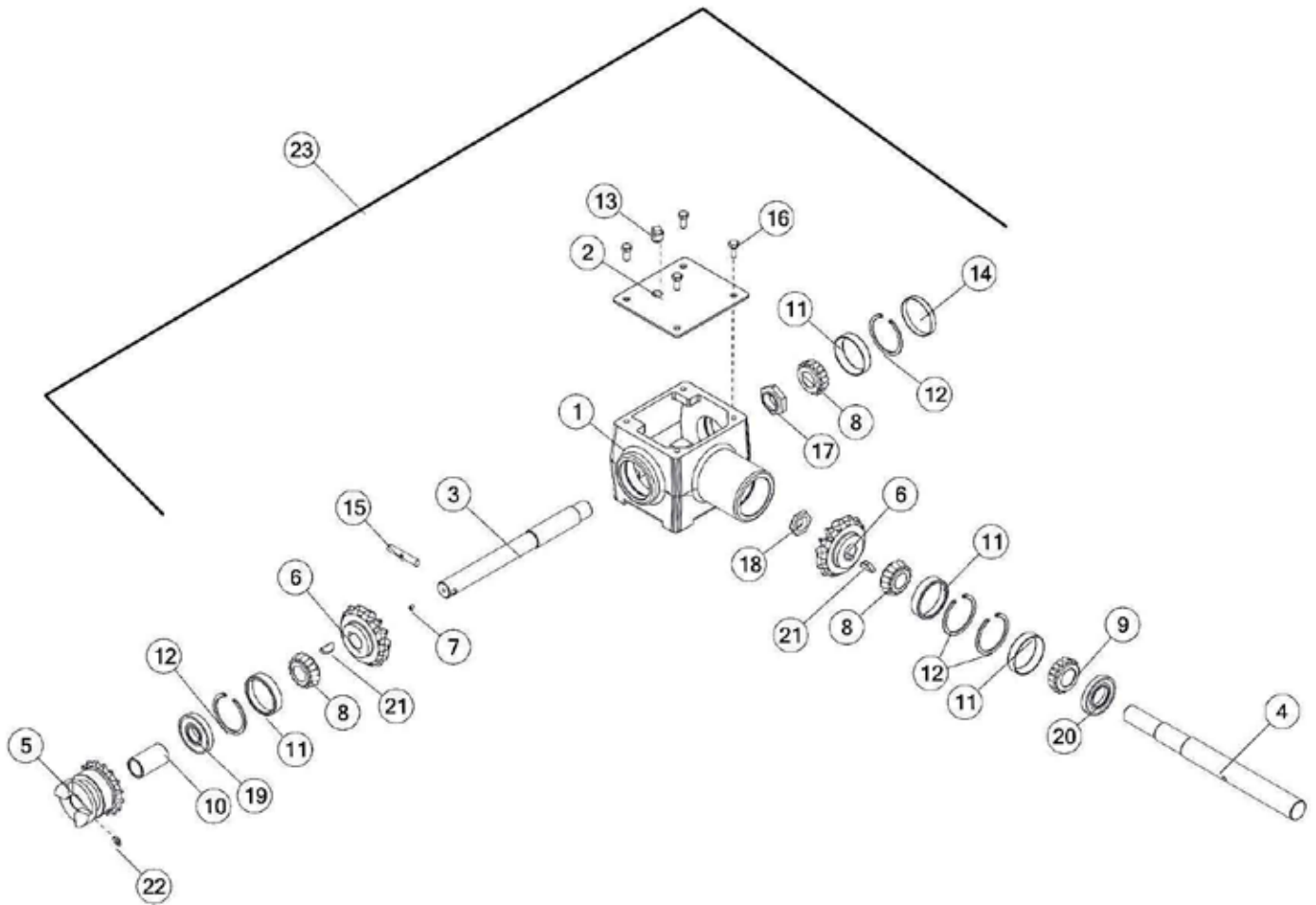
# FIGURE 17 FRONT DRIVE/BELTS & COMPONENTS



**FIGURE 17**  
**FRONT DRIVE/BELTS & COMPONENTS**

<b><u>ITEM</u></b>	<b><u>QTY</u></b>	<b><u>PART#</u></b>	<b><u>DESCRIPTION</u></b>
40	2	YWFL16005	WASHER FLAT, 1/2
41	3	YNFG12006	NUT FLANGE, 3/8
42	2	YNFG08010	NUT FLANGE, 1/4
43	1	YNJM10005	NUT JAM, 5/16 A
44	1	YNJM12005	NUT JAM, 3/8 A
45	1	YNNJ16005	NUT JAM, 1/2 G2
46	2	80808	BEARING
47	1	YPLY08011	LYNCH PIN, 1/4 X 1-9/16
48	4	YNFG16003	NUT FLANGE, 1/2
49	1	G89	STRAIGHT ZERK 1/4-28 X 90
50	1	YNFG20005	NUT FLANGE, 5/8
51	1	YNFG12006	NUT FLANGE, 3/8
52	2	S135	SQUARE KEY, 1/4 X 1-1/4

**FIGURE 18**  
**BEATER GEARBOX**

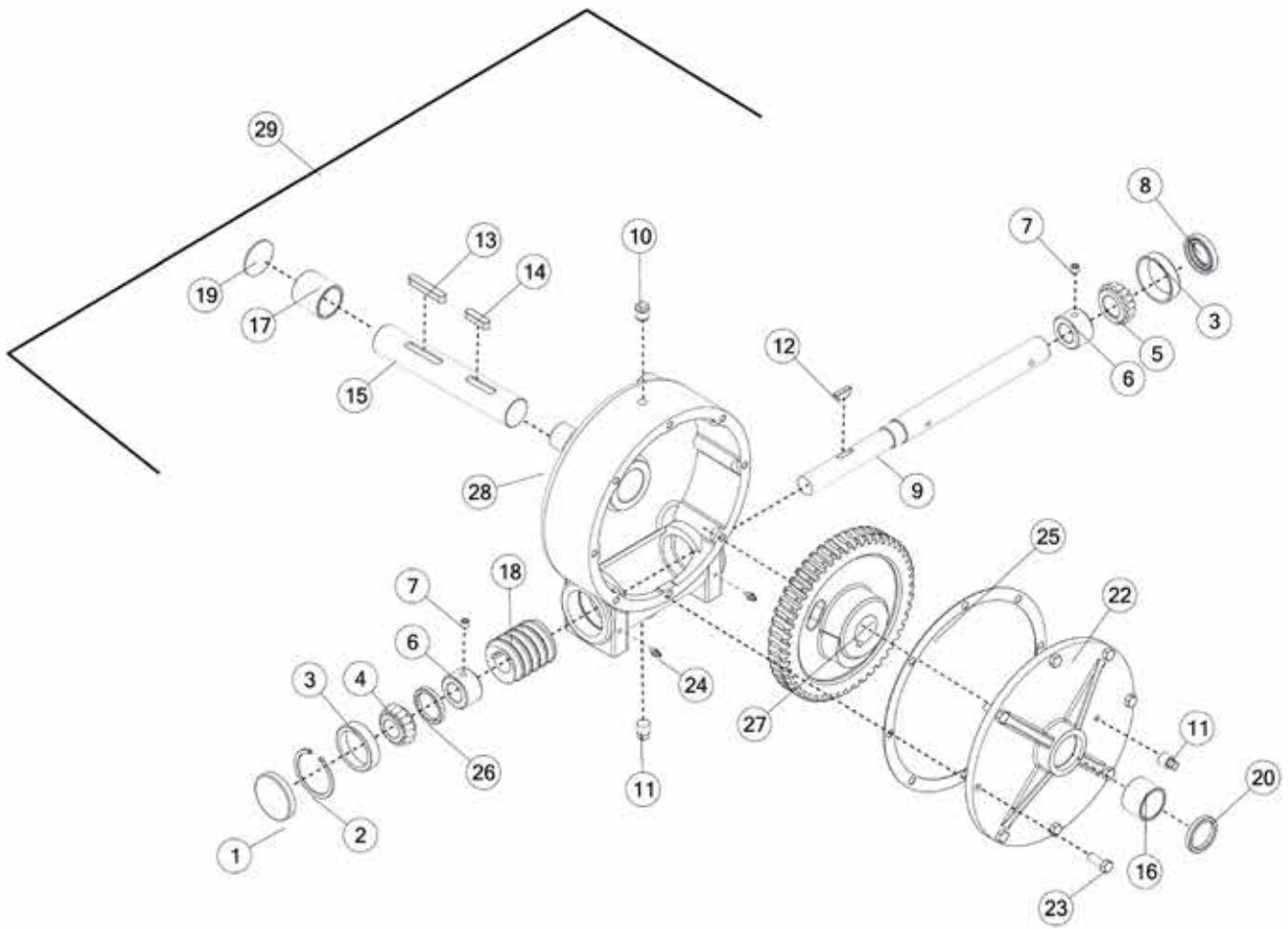


## FIGURE 18

### BEATER GEARBOX

<u>ITEM</u>	<u>QTY</u>	<u>PART#</u>	<u>DESCRIPTION</u>
1	1	3G1	HOUSING
2	1	3G3	COVER
3	1	76115	SIDE SHAFT
4	1	76354	GEARBOX SHAFT, FRONT
5	1	S116	BEATER CLUTCH
6	2	3G5	BEVEL GEAR
7	1	YSKP08020	SCREW SET, SOCKET, 1/4 X 1/4
8	3	3G7	TAPER BEARING
9	1	L3G24	TAPER BEARING
10	1	S117	BRONZE BUSHING
11	4	12N19	INNER RACE
12	4	3G19	SNAP RING
13	1	3G20	VENT PLUG
14	1	G90	CAP
15	1	S115	PIN
16	4	YBHH10105	BOLT HEX, 5/16 X 3/4 G5
17	4	3G11	GEAR BOX NUT, 1-1/8
18	1	3G4	GEAR BOX NUT, 1
19	1	3G9	SEAL
20	1	S136	OIL SEAL
21	2	5B10	WOODRUFF KEY, 1/4 X 1
22	1	G89	STRAIGHT ZERK 1/4-28 X 90
23	1	78963	COMPLETE GEARBOX

# **FIGURE 19** **WORM GEARBOX**





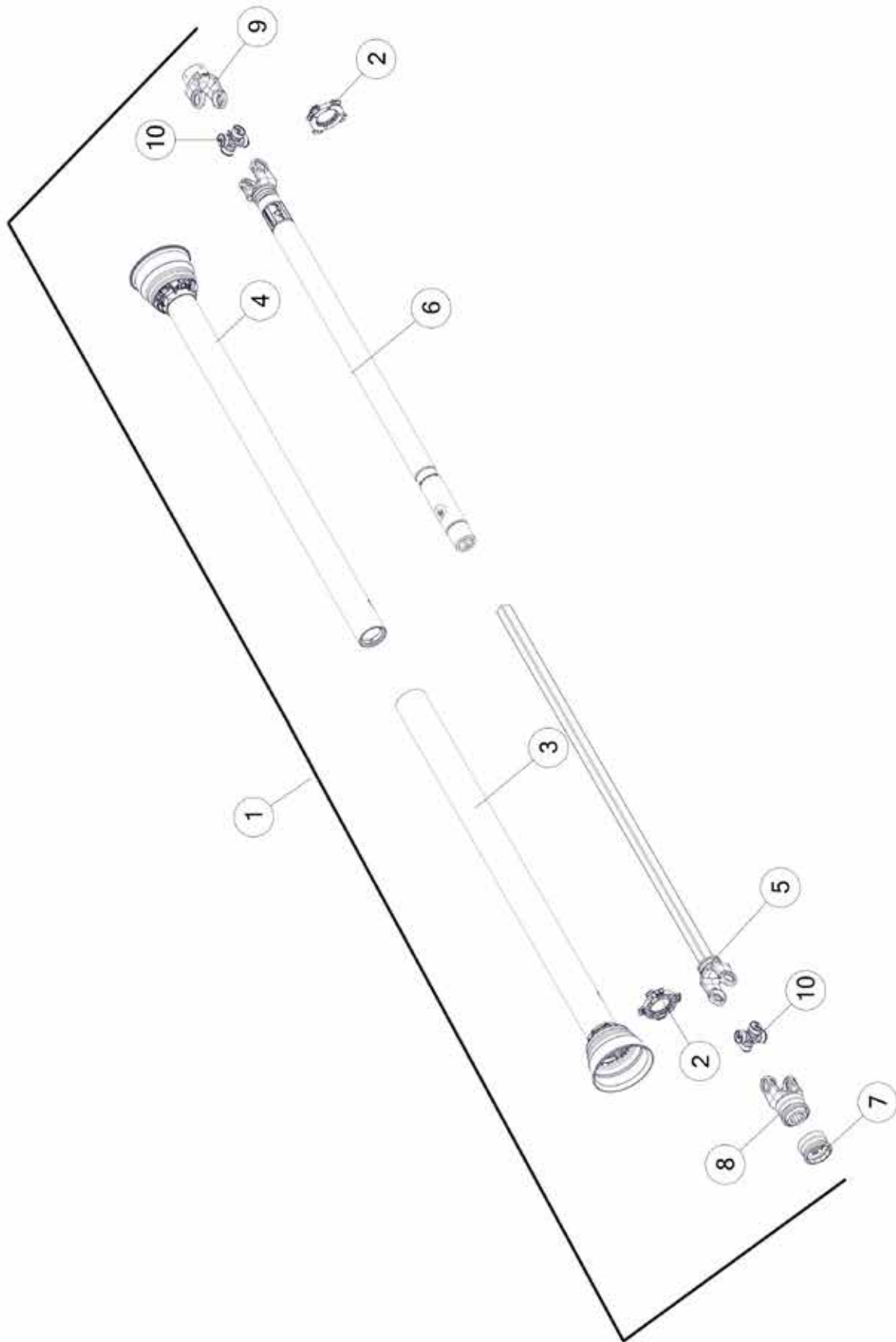
## FIGURE 19

### WORM GEARBOX

<u>ITEM</u>	<u>QTY</u>	<u>PART#</u>	<u>DESCRIPTION</u>
1	1	G90	CAP
2	1	3G19	SNAP RING
3	2	3G18	ROLLER BEARING
4	1	3G7	TAPER BEARING
5	1	L3G24	TAPER BEARING
6	2	X9	SPACER
7	2	YSKP12025	SCREW SET, SOCKET, 3/8 X 3/8
8	1	G115	OIL SEAL
9	1	S140	WORM GEAR SHAFT, FRONT
10	1	59184	PIPE PLUG, PLASTIC, 3/8
11	1	G65	PIPE PLUG, 3/8 NPT
12	1	5B10	WOODRUFF KEY, 1/4 X 1
13	1	S138	ROUND KEY, 3/8 X 2-3/8
14	1	S437	SQUARE KEY, 3/8 X 1-3/8
15	1	S139	WORM GEAR SHAFT, SIDE
16	1	X75	BUSHING
17	1	X8	BUSHING
18	1	G76	WORM GEAR
19	1	G117	CAP
20	1	G120	OIL SEAL
21	1	X77	WORM GEARBOX
22	1	G116	WORM GEAR BOX COVER
23	8	YBHH12010	BOLT HEX, 3/8 X 1 G5
24	1	G89	STRAIGHT ZERK 1/4-28 X 90
25	1	G88	GASKET
26	1	59249	SHIM, .005
*	1	58748	SHIM, .007
*	1	G92	SHIM, STAINLESS .01
*	1	59250	SHIM, .02
27	1	G77	GEAR
28	1	G114	HOUSING

\* NOT SHOWN

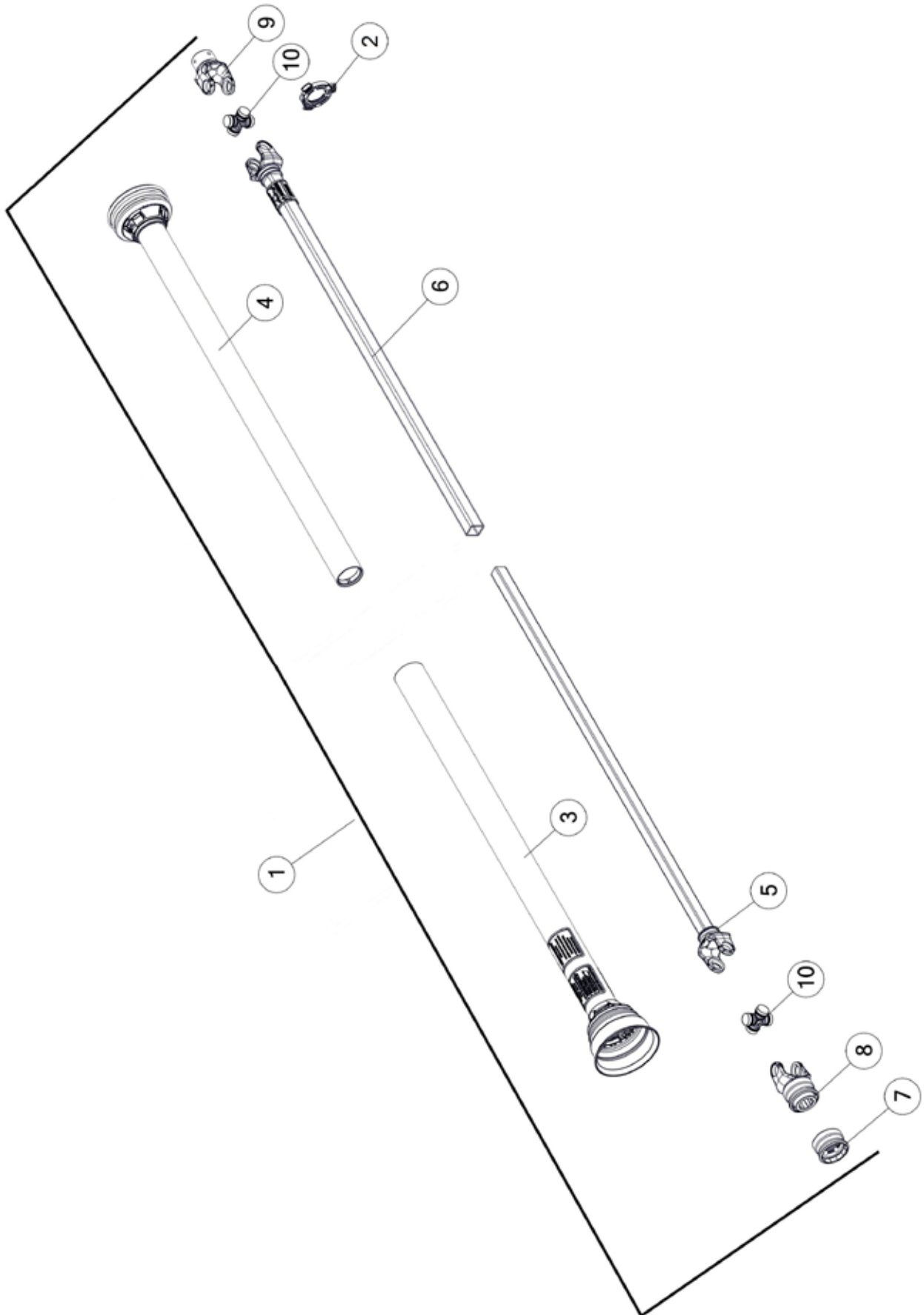
**FIGURE 20**  
**PTO 540 RPM LONG**



**FIGURE 20**  
**PTO 540 RPM LONG**

<b><u>ITEM</u></b>	<b><u>QTY</u></b>	<b><u>PART#</u></b>	<b><u>DESCRIPTION</u></b>
1	1	S457	COMPLETE PTO
2	2	16SV181	GUARD REPAIR KIT
3	1	8224	OUTER GUARD
4	1	8225	INNER GUARD
5	1	8220	YOKE AND SHAFT
6	1	8227	YOKE TUBE AND SLIP SLEEVE
7	1	S225	SPRING-LOK REPAIR KIT
8	1	23N162	SPRING LOCK YOKE
9	1	8228	YOKE, 14
10	2	14NW KIT	CROSS KIT, 14

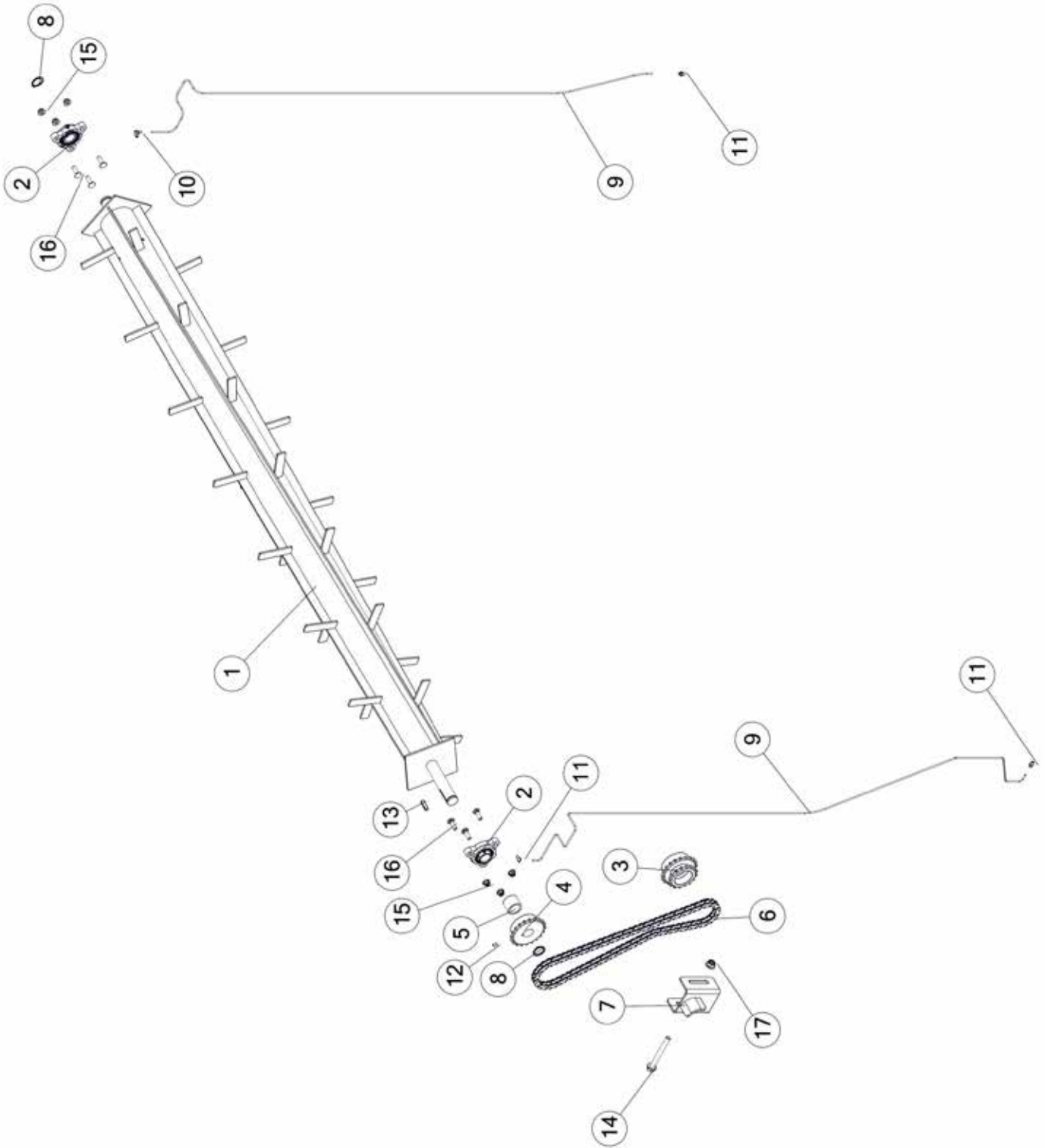
**FIGURE 21**  
**PTO 540 RPM STANDARD**



**FIGURE 21**  
**PTO 540 RPM STANDARD**

<b><u>ITEM</u></b>	<b><u>QTY</u></b>	<b><u>PART#</u></b>	<b><u>DESCRIPTION</u></b>
1	1	S372	HD NEEDLE BEARING PTO
2	1	78807	GUARD REPAIR KIT
3	1	S398	OUTER GUARD
4	1	S397	INNER GUARD
5	1	S378	YOKE AND SHAFT
6	1	S376	YOKE AND TUBE
7	1	S225	SPRING LOCK REPAIR KIT
8	1	S379	SPRING LOCK YOKE, 12
9	1	S374	YOKE, 12
10	1	S375	CROSS KIT, 12R

**FIGURE 22**  
**OPTIONAL TOP BEATER**



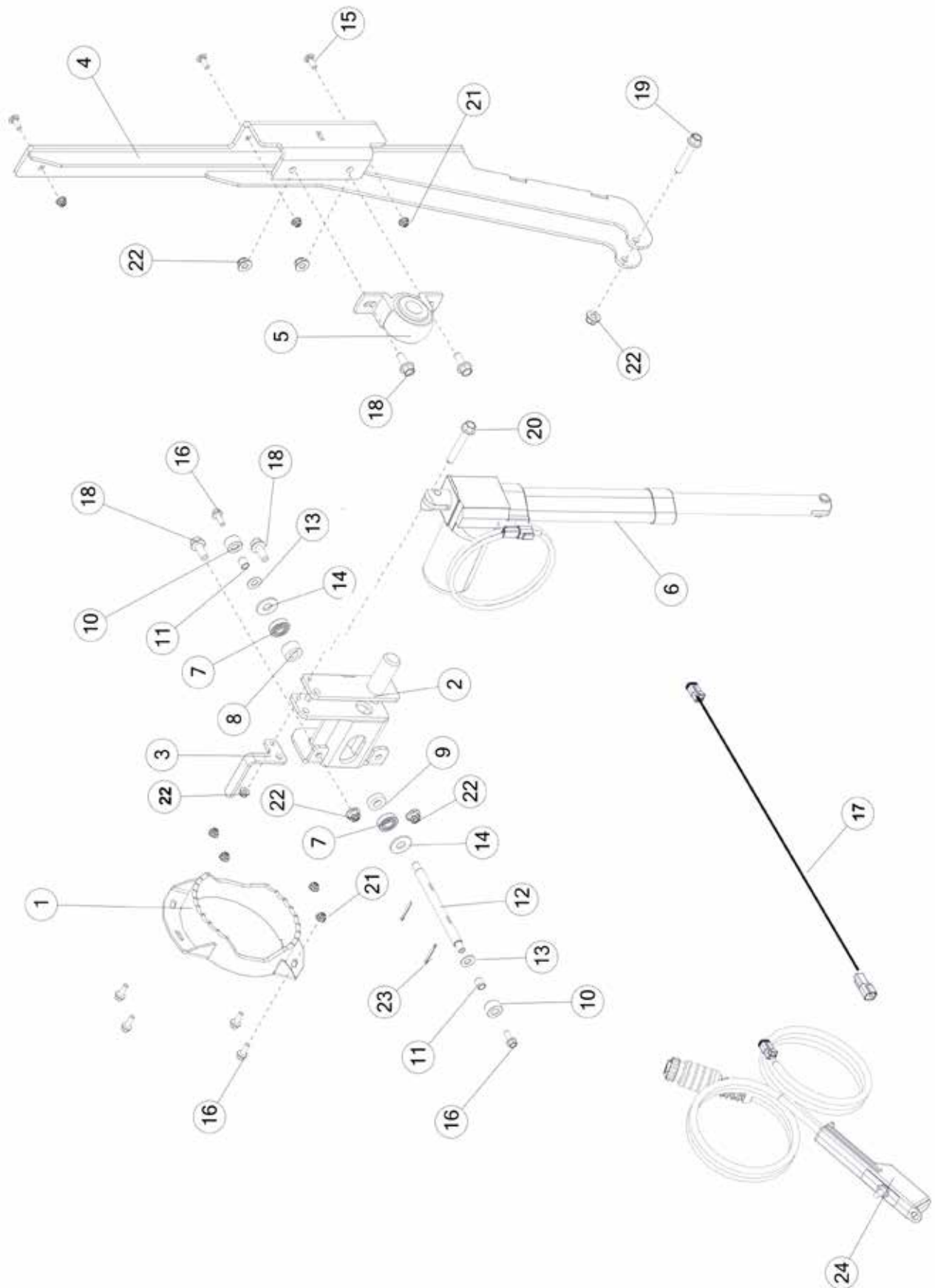
## FIGURE 22

### OPTIONAL TOP BEATER

<u>ITEM</u>	<u>QTY</u>	<u>PART#</u>	<u>DESCRIPTION</u>
1	1	S263	BEATER
2	2	80662	BEARING 1-1/4
3	1	S266	SPROCKET, 50B16, 50B20
4	1	S26	SPROCKET, 50B20, 1.253 ID
5	1	S262	SPACER
6	1	87249	ROLLER CHAIN, 50 X 78 PITCHES
*	1	X61	CONNECTING LINK
7	1	87254	CHAIN TIGHTNER
8	2	F73	SNAP RING, 1-1/4
9	2	79314	GREASE LINE
10	1	8257	GREASE LINE FITTING, 90 DEGREE ELBOW 5/32 x 1/4
11	3	54572	GREASE LINE FITTING, STRAIGHT
12	1	YSKP10010	SET SCREW, SOCKET, KNURLED CUP PT, 5/16 - 18 X 3/8
13	1	G23A	SQUARE KEY, 5/16 X 1-1/4
14	1	YBFB16450	BOLT FLANGE, 1/2 X 4-1/2 G5
15	6	YNFG12006	NUT FLANGE, 3/8 GF
16	6	YBCR12020	BOLT CARRIAGE, 3/8 X 1-1/4 G5
17	1	YNFG16003	NUT FLANGE, 1/2

\* NOT SHOWN

# **FIGURE 23** **ELECTRIC CAB CONTROL KIT**





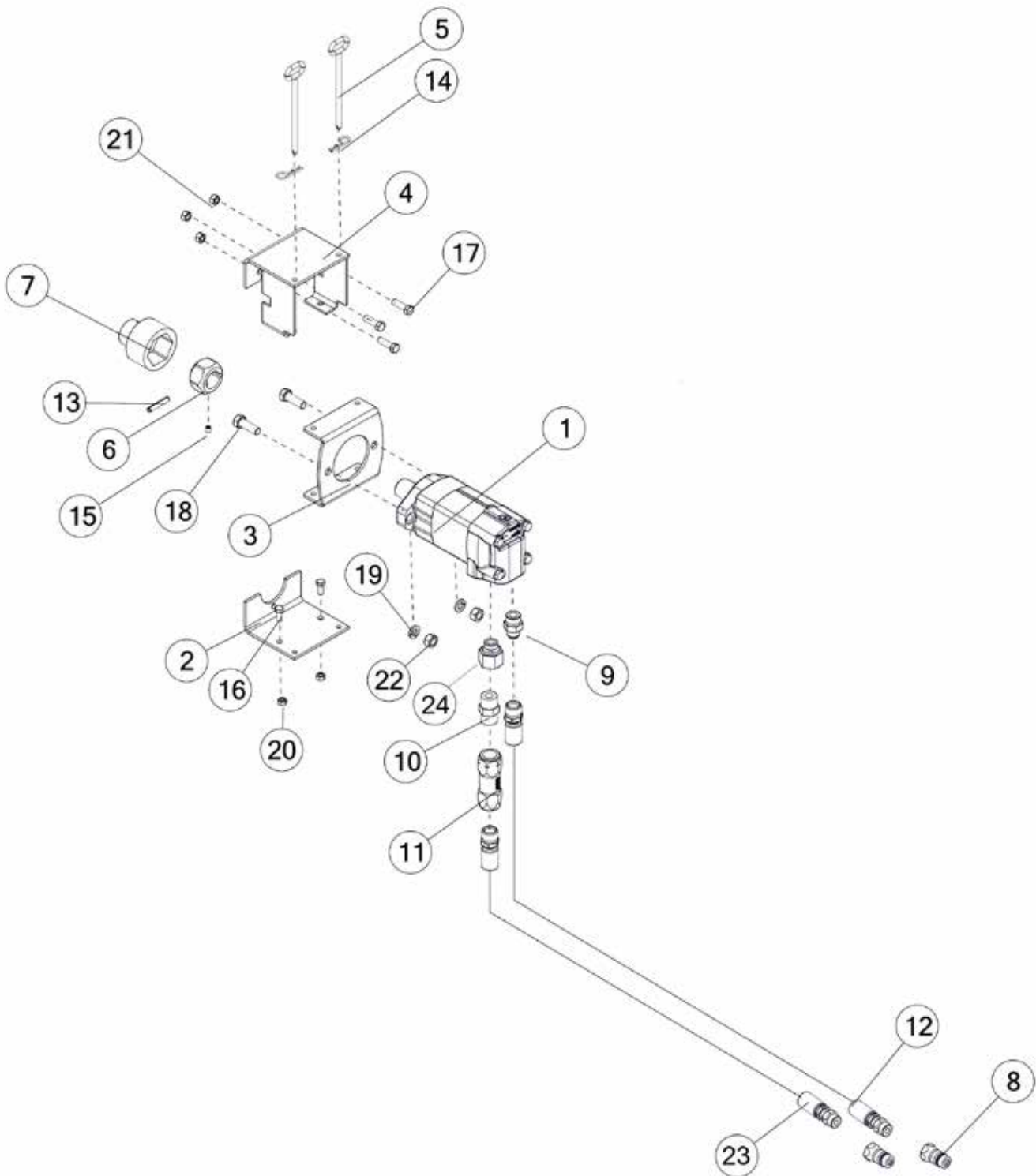
## FIGURE 23

### ELECTRIC CAB CONTROL KIT

<u>ITEM</u>	<u>QTY</u>	<u>PART#</u>	<u>DESCRIPTION</u>
1	1	76734	CAB CONTROL SPOOL
2	1	89113	CAB CONTROL PIVOT
3	1	83019	INDICATOR BRACKET
4	1	89119	ACTUATOR BRACKET
5	1	80N22	BEARING,
6	1	89130	LINEAR ACTUATOR
7	2	72910	BALL, BEARING
8	1	76540	STEEL BUSHING
9	1	76541	STEEL BUSHING
10	1	78024	ROUND TUBE
11	2	78028	BRONZE BUSHING
12	1	78041	ROUND SHAFT
13	2	YWFL12010	WASHER FLAT, 3/8
14	2	YWFL16005	WASHER FLAT, 1/2
15	3	YBCR08040	BOLT CARRIAGE, 1/4 X 3/4 G5
16	4	YBFB08075	BOLT FLANGE, 1/4 X 3/4 G5
17	1	85050	CAB CONTROL WIRE HARNESS
18	1	YBFB12003	BOLT FLANGE, 3/8 X 1 G5
19	1	YBFB12225	BOLT FLANGE, 3/8 X 2-1/4 G5
20	1	YBFB12500	BOLT FLANGE, 3/8 X 5 G5
21	7	YNFG08010	NUT FLANGE, 1/4
22	6	YNFG12006	NUT FLANGE, 3/8
23	2	YPCT04005	COTTER PIN, 1/8 X 1
24	1	85332	HAND CONTROLLER, (ON)-OFF-(ON) REVERSING
*	1	16SV235	SWITCH BOOTS
*	1	61564	CAP
*	1	58790	DEUTSCH 2 PIN PLUG HOUSING
*	2	56760	DEUTSCH SOCKET, SOLID, 14-16 GA.
*	1	58793	WEDGELOCK FOR DT06-2S CONNECTOR
*	1	EFAT015	ELEC, FUSE, ATO, 15 AMP

\* NOT SHOWN

# **FIGURE 24** **HYRDAULIC DRIVE KIT**



## FIGURE 24

### HYDRAULIC DRIVE KIT

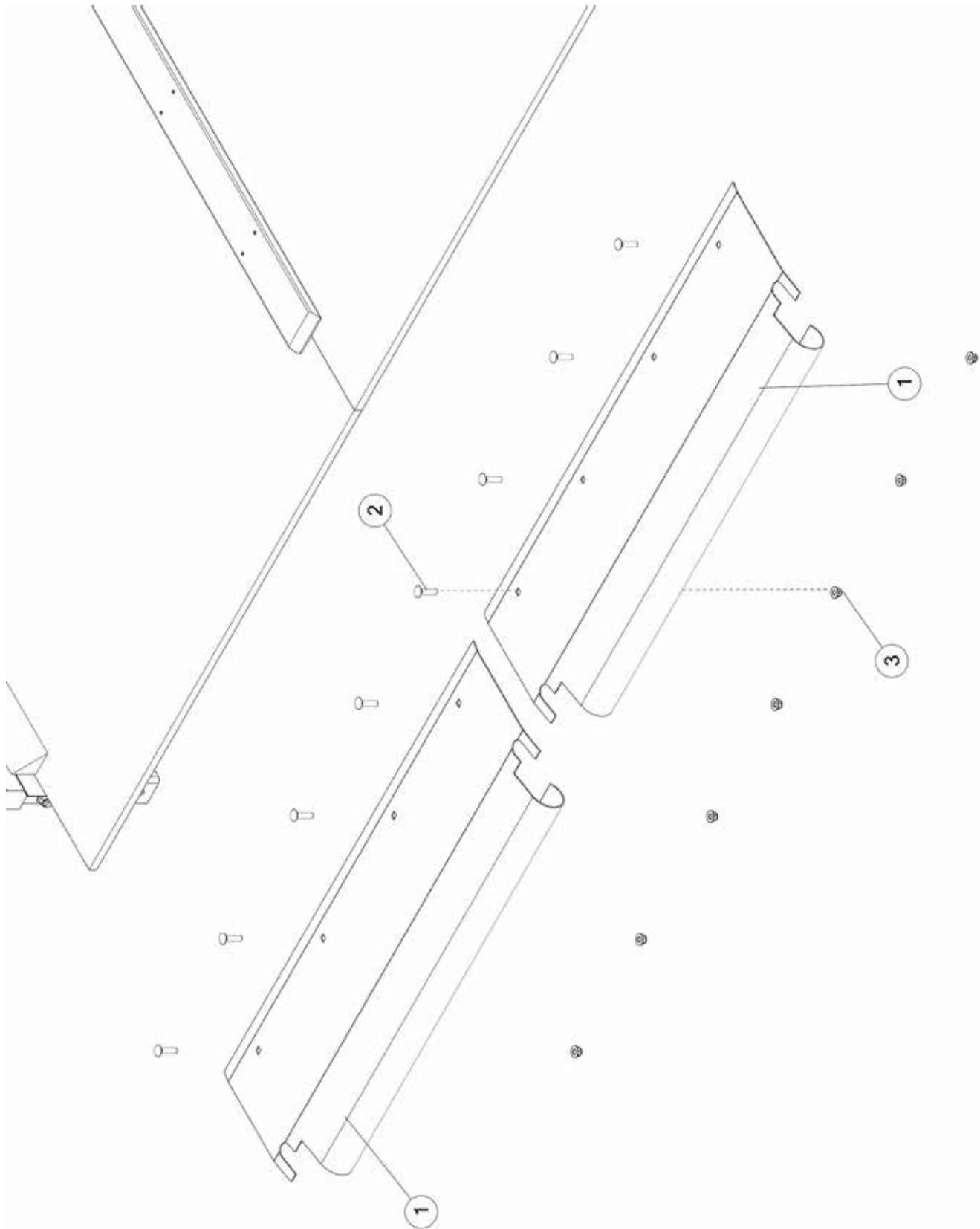
<u>ITEM</u>	<u>QTY</u>	<u>PART#</u>	<u>DESCRIPTION</u>
1	1	16SV150	HYDRAULIC MOTOR
2	1	S383	BOTTOM MOTOR HANGER
3	1	S464	MOTOR MOUNT
4	1	S382	TOP MOTOR HANGER
5	1	S386	MOTOR UNIT MOUNT PIN
6	1	S463	PRIMARY HEX DRIVE
7	1	S411	SECONDARY HEX DRIVE
8	1	67148	QUICK COUPLER TIP
9	1	GM27	FITTING STRAIGHT, 8JIC X 10ORB
10	1	LW98	3/4 NIPPLE
11	1	PB185	3/4 CHECK VALVE
12	2	85248	HYDRAULIC HOSE 1/2 X 132
13	1	YPEX10015	EXPANSION PIN, 5/16 X 1-3/4
14	1	YPHR02005	HAIR PIN
15	1	YSKP10010	SET SCREW
16	1	YBHH10105	BOLT, 5/16 X 3/4 G5
17	1	YBHH12035	BOLT, 3/8 X 1-1/4 G5
18	1	YBHH16030	BOLT, 1/2 X 1-1/2 G5
19	1	YWLO16005	WASHER LOCK, 1/2
20	1	YNHX10005	NUT HEX, 5/16
21	1	YNHX12005	NUT HEX, 3/8
22	1	YNHX16005	NUT HEX, 1/2
23	1	80669	HYDRAULIC HOSE, 1/2 X 132
24	1	WM289	FITTING STRAIGHT, 10ORB, 1/2NPT, STL

**17/19/21**  
**5200 SERIES**  
**FORAGE BOX**

# CONTENTS

Figure 1 - Front Drive Shaft Panel. ....	116-117
Figure 2 - Side Stakes. ....	118-119
Figure 3 - 17 FT Side Metal & Top Filler Panels RH. ....	120-121
Figure 3 - 19 & 21 FT Side Metal & Top Filler Panels RH. ....	122-123
Figure 4 - 17 FT Side Metal & Top Filler Panels LH. ....	124-125
Figure 4 - 19 & 21 FT Side Metal & Top Filler Panels LH. ....	126-127
Figure 5 - 17 FT Floor & Components. ....	128-129
Figure 5 - 19 FT Floor & Components. ....	130-131
Figure 5 - 21 FT Floor & Components. ....	132-133
Figure 6 - 17 FT Apron Chain & Components. ....	134-135
Figure 6 - 19 & 21 FT Apron Chain & Components. ....	136-137
Figure 7 - Idler Shaft & Components. ....	138-139
Figure 8 - Back Insert & Components. ....	140-141
Figure 9 - Back Door & Components. ....	142-143
Figure 10 - Back Door Tailgate & Components. ....	144-145
Figure 11 - Safety Cable & Components. ....	146-147
Figure 12 - Lights. ....	148-149
Figure 13 - Roof & Components. ....	150-151
Figure 14 - Tie Down Kit. ....	152-153

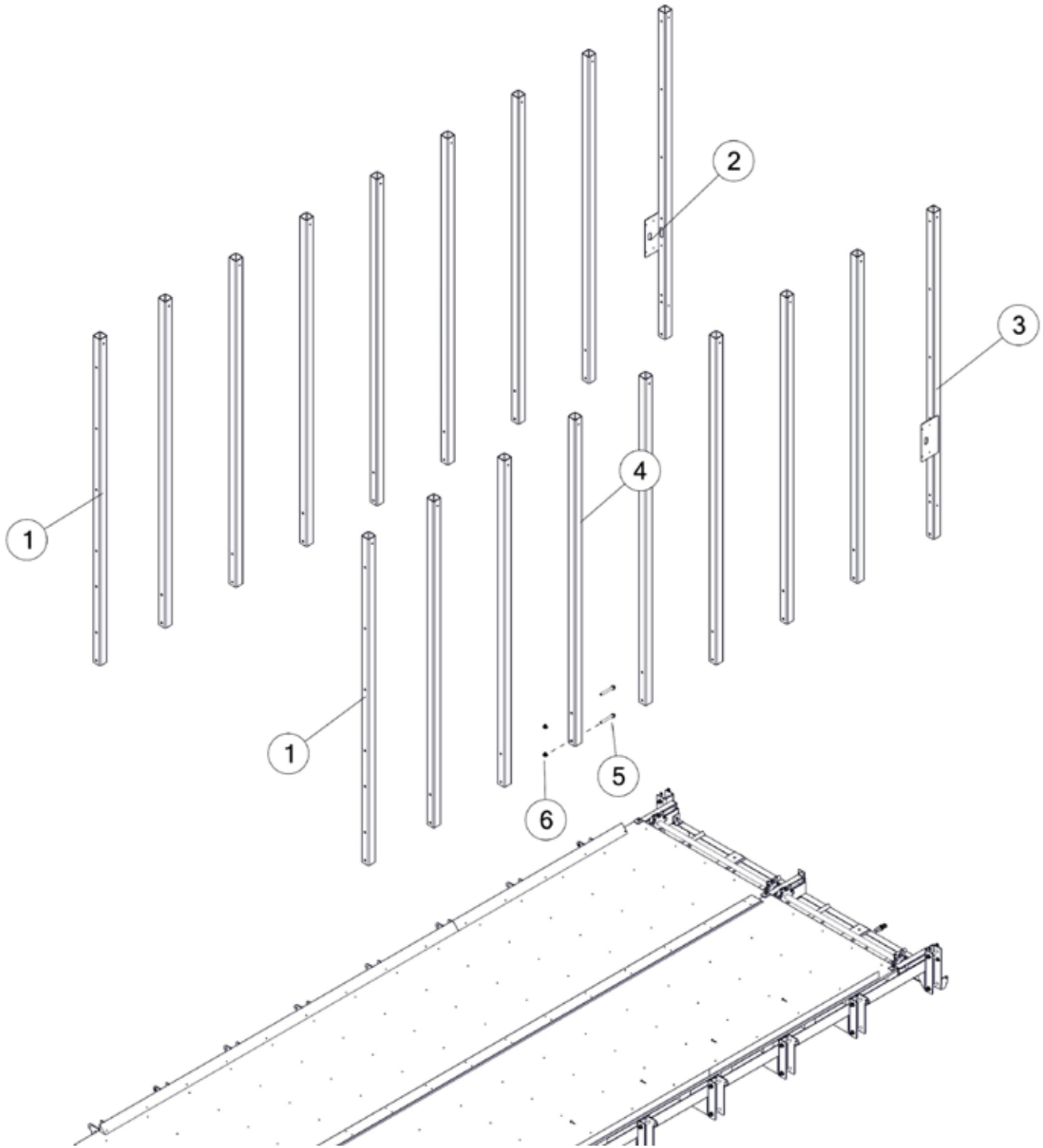
**FIGURE 1**  
**FRONT DRIVE SHAFT PANEL**



**FIGURE 1**  
**FRONT DRIVE SHAFT PANEL**

<u>ITEM</u>	<u>QTY 17'</u>	<u>QTY 19'</u>	<u>QTY 21'</u>	<u>PART#</u>	<u>DESCRIPTION</u>
1	2	2	2	72996	SHAFT GUARD
2	8	8	8	YBCR12015	BOLT CARRIAGE, 3/8 X 1-1/2 G5
3	8	8	8	YNFG12006	NUT FLANGE, 3/8

# **FIGURE 2** **SIDE STAKES**

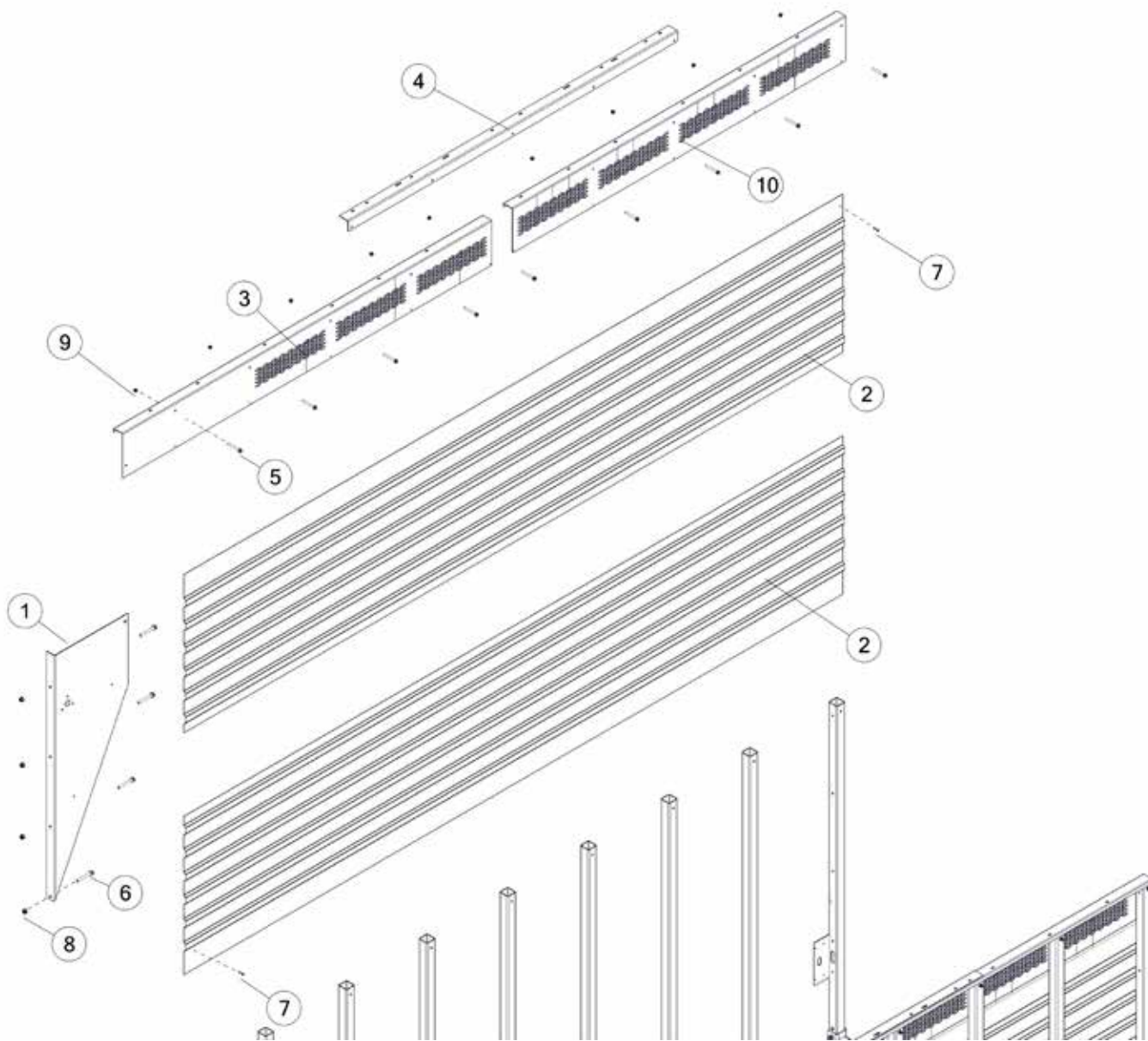




**FIGURE 2**  
**SIDE STAKES**

<b><u>ITEM</u></b>	<b><u>QTY 17'</u></b>	<b><u>QTY 19'</u></b>	<b><u>QTY 21'</u></b>	<b><u>PART#</u></b>	<b><u>DESCRIPTION</u></b>
1	2	2	2	86407	FRONT STAKE
2	1	1	1	87010	BACK STAKE RH
3	1	1	1	87008	BACK STAKE LH
4	14	16	18	IFB124	SIDE STAKE
5	28	32	36	YBFB16400	BOLT FLANGE, 1/2 X 4 G5
6	28	32	36	YNFG16003	NUT FLANGE, 1/2

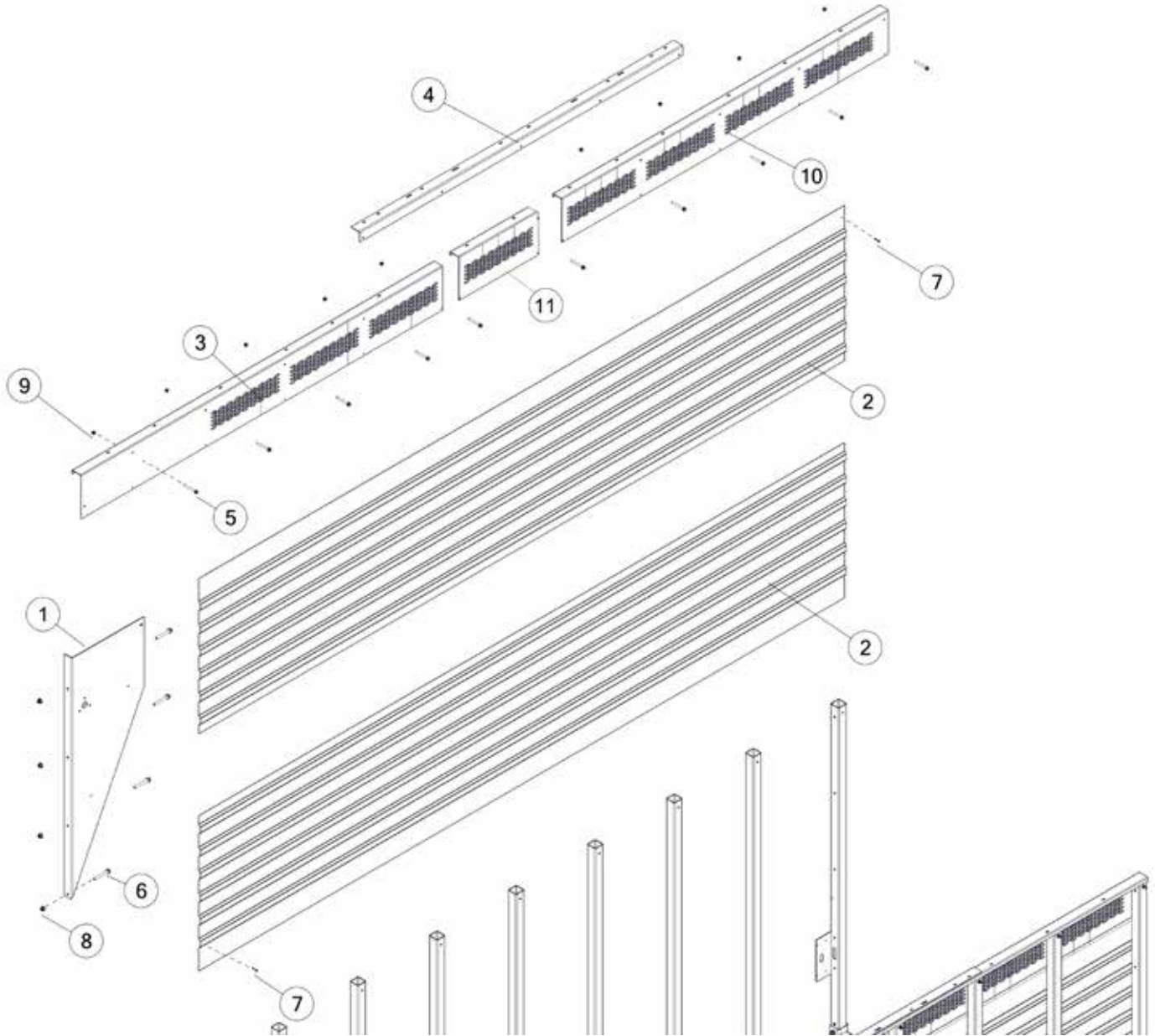
**FIGURE 3**  
**17 FT SIDE METAL & TOP FILLER PANELS RH**



**FIGURE 3**  
**17 FT SIDE METAL & TOP FILLER PANELS RH**

<b><u>ITEM</u></b>	<b><u>QTY 17'</u></b>	<b><u>PART#</u></b>	<b><u>DESCRIPTION</u></b>
1	1	86695	4TH BEATER FILLER PANEL
2	2	S476	SIDE STEEL, 17 FT
3	1	87106	TOP RAIL, FRONT
4	1	87107	TOP RAIL SPLICE
5	9	YBFB12350	BOLT FLANGE, 3/8 X 3-1/2 G5
6	4	YBFB16400	BOLT FLANGE, 1/2 X 4 G5
7	54	YSDR66008	SCREW SELF DRILLING, 1-1/4
8	4	YNFG16003	NUT FLANGE, 1/2
9	9	YNFG12006	NUT FLANGE, 3/8
10	1	87105	TOP RAIL, BACK

**FIGURE 3**  
**19 AND 21 FT SIDE METAL & TOP FILLER PANELS RH**



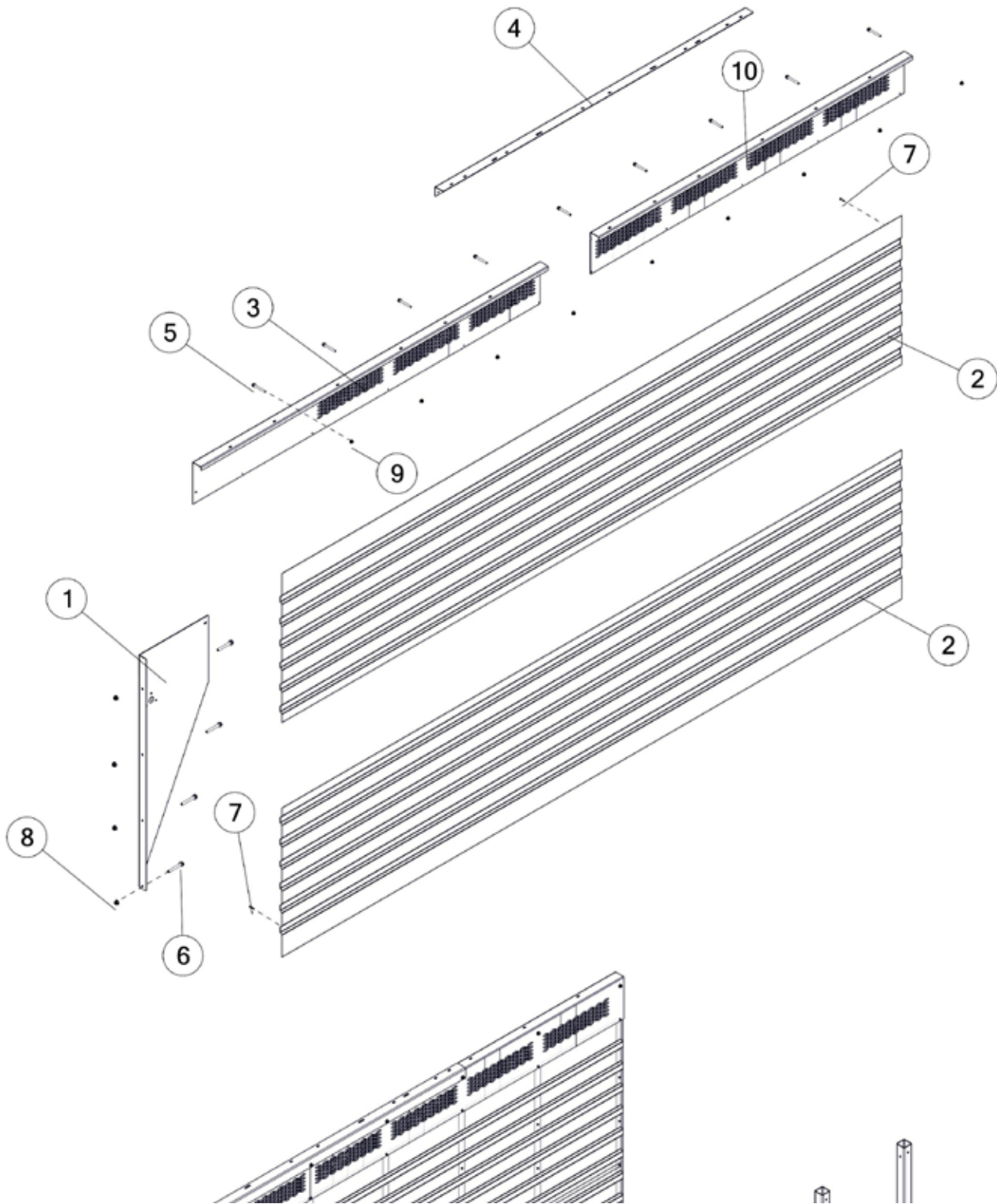
## FIGURE 3

### 19 AND 21 FT SIDE METAL & TOP FILLER PANELS RH

<u>ITEM</u>	<u>QTY 19'</u>	<u>QTY 21'</u>	<u>PART#</u>	<u>DESCRIPTION</u>
1	1	1	86695	
2	1	-	S477	4TH BEATER FILLER PANEL
2	-	2	S478	SIDE STEEL, 19 FT
3	1	1	87106	SIDE STEEL, 21 FT
4	1	1	87107	TOP RAIL, FRONT
5	10	11	YBFB12350	TOP RAIL SPLICE
6	4	4	YBFB16400	BOLT FLANGE, 3/8 X 3-1/2 G5
7	60	68	YSDR66008	BOLT FLANGE, 1/2 X 4 G5
8	4	4	YNFG16003	SCREW SELF DRILLING, 1-1/4
9	10	11	YNFG12006	NUT FLANGE, 1/2
10	1	1	87105	NUT FLANGE, 3/8
11	1	-	87189	TOP RAIL, BACK
11	-	1	87229	TOP RAIL, CENTER
				TOP RAIL, CENTER

- NOT USED ON THIS MODEL

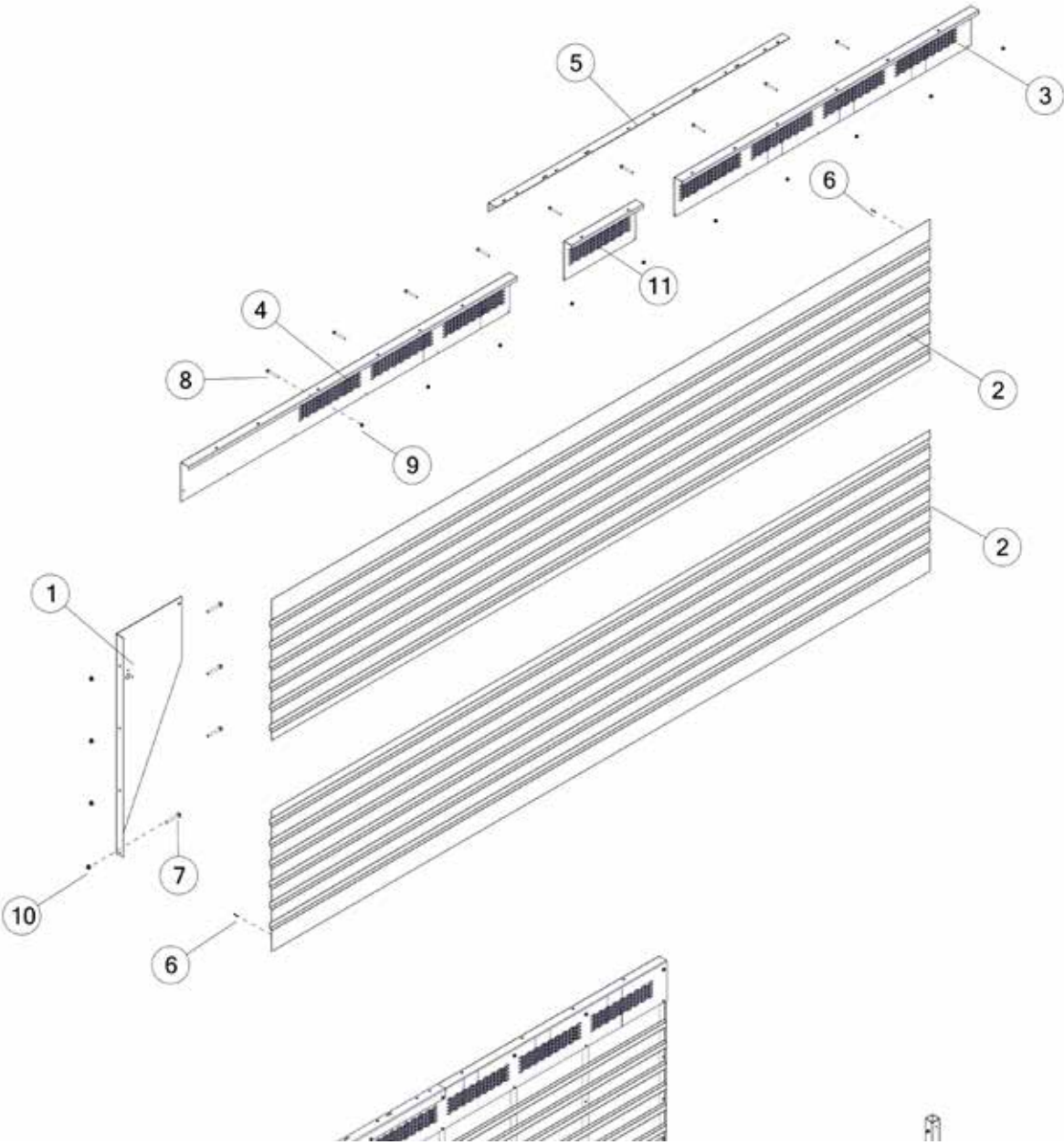
**FIGURE 4**  
**17 FT SIDE METAL & TOP FILLER PANELS LH**



**FIGURE 4**  
**17 FT SIDE METAL & TOP FILLER PANELS LH**

<u>ITEM</u>	<u>QTY</u>	<u>17'</u>	<u>PART#</u>	<u>DESCRIPTION</u>
1	1		86696	4TH BEATER FILLER PANEL
2	2		S476	SIDE STEEL, 17 FT
3	1		87100	TOP RAIL, FRONT
4	1		87107	TOP RAIL SPLICE
5	9		YBFB12350	BOLT FLANGE, 3/8 X 3-1/2 G5
6	4		YBFB16400	BOLT FLANGE, 1/2 X 4 G5
7	54		YSDR66008	SCREW SELF DRILLING, 1-1/4
8	4		YNFG16003	NUT FLANGE, 1/2
9	9		YNFG12006	NUT FLANGE, 3/8
10	1		87099	TOP RAIL, BACK

**FIGURE 4**  
**19 AND 21 FT SIDE METAL & TOP FILLER PANELS LH**



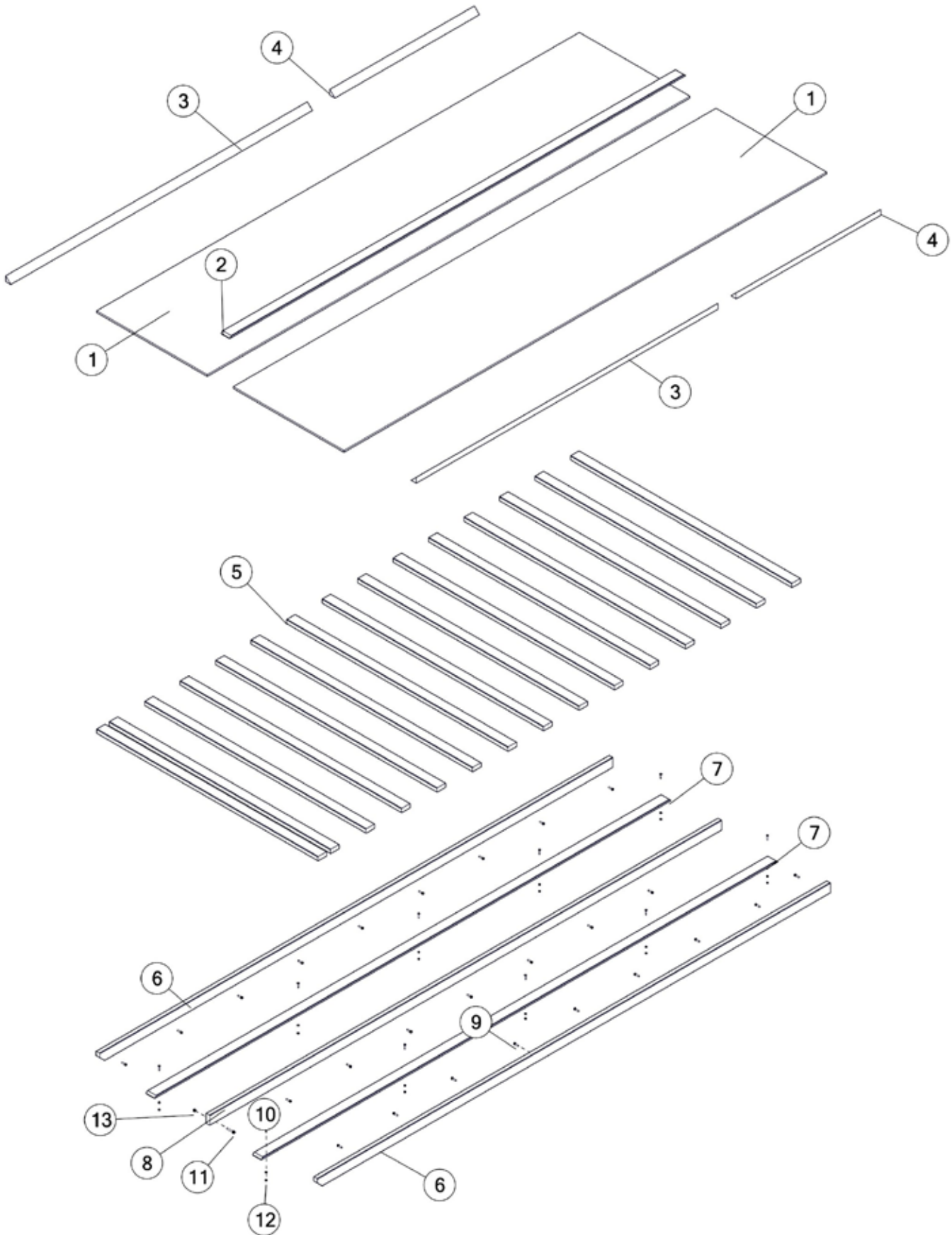


**FIGURE 4**  
**19 AND 21 FT SIDE METAL & TOP FILLER PANELS LH**

<u>ITEM</u>	<u>QTY 19'</u>	<u>QTY 21'</u>	<u>PART#</u>	<u>DESCRIPTION</u>
1	1	1	86696	4TH BEATER FILLER PANEL
2	1	-	S477	SIDE STEEL, 19 FT
2	-	2	S478	SIDE STEEL, 21 FT
3	1	1	87099	TOP RAIL, FRONT
4	1	1	87100	TOP RAIL SPLICE
5	10	11	YBFB12350	BOLT FLANGE, 3/8 X 3-1/2 G5
6	4	4	YBFB16400	BOLT FLANGE, 1/2 X 4 G5
7	60	68	YSDR66008	SCREW SELF DRILLING, 1-1/4
8	4	4	YNFG16003	NUT FLANGE, 1/2
9	10	11	YNFG12006	NUT FLANGE, 3/8
10	1	1	87105	TOP RAIL, BACK
11	1	-	87189	TOP RAIL, CENTER
11	-	1	87229	TOP RAIL, CENTER

- NOT USED ON THIS MODEL

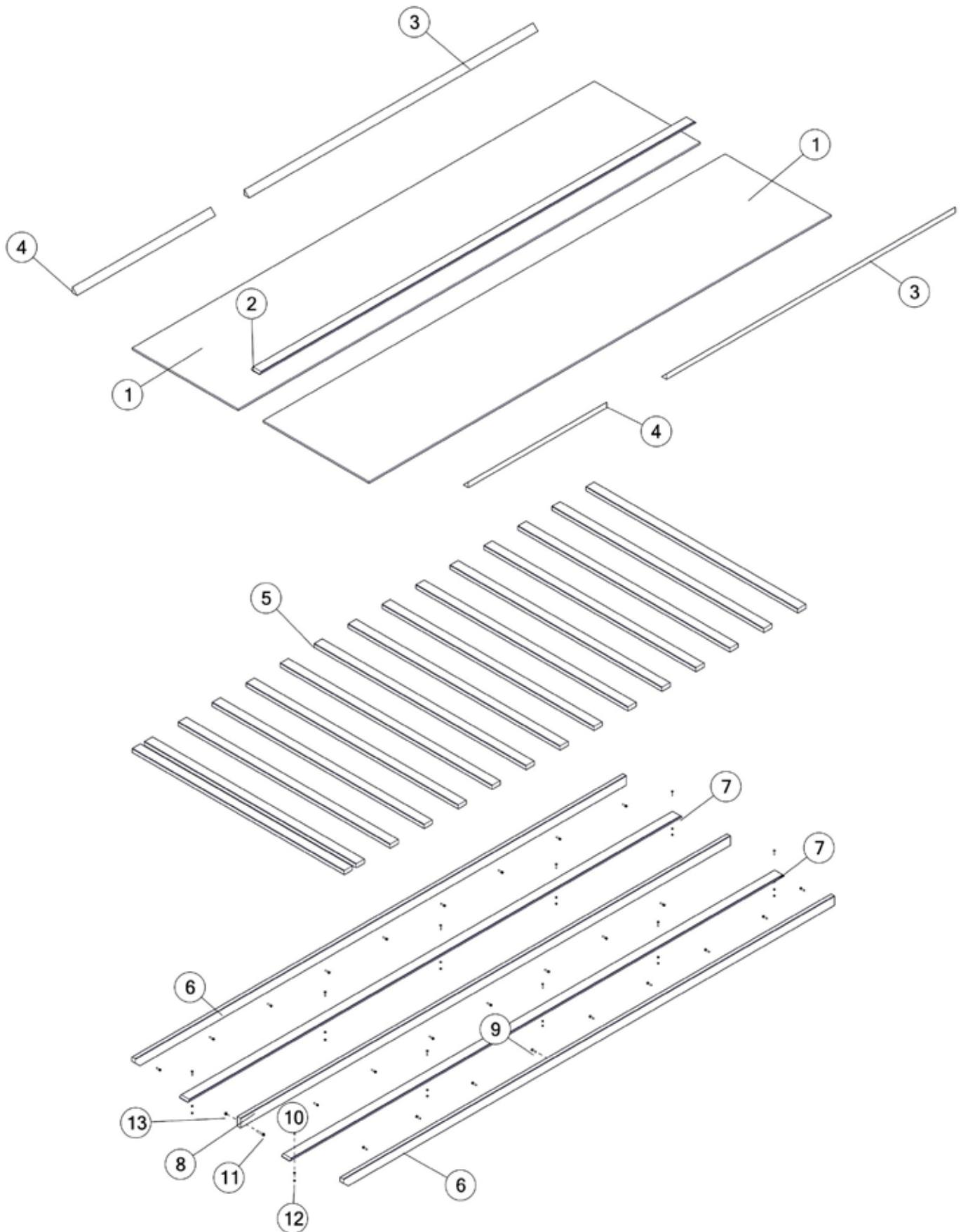
# **FIGURE 5** **17 FT FLOOR & COMPONENTS**



**FIGURE 5**  
**17 FT FLOOR & COMPONENTS**

<b><u>ITEM</u></b>	<b><u>QTY 17'</u></b>	<b><u>PART#</u></b>	<b><u>DESCRIPTION</u></b>
1	2	LBP12192	PLYWOOD FLOOR
2	1	S164	APRON CHAIN CENTER SPACER
3	2	LBST22	APRON CHAIN SIDE SPACER
4	2	78967	APRON CHAIN SIDE SPACER
5	15	LB2488	FLOOR CROSS MEMBER
6	2	69060	FLOOR SUPPORT
7	2	76645	APRON CHAIN RETURN SLIDE
8	1	69061	CENTER FLOOR SUPPORT
9	23	YBLG12150	BOLT LAG, 3/8 X 1-1/2 GA
10	10	YBCR08010	BOLT CARRIAGE, 1/4 X 1-1/2 G5
11	1	YBFB12250	BOLT FLANGE, 3/8 X 2-1/2 G5
12	20	YNHX08007	NUT HEX, 1/4 G5
13	1	YNFG12006	NUT FLANGE, 3/8

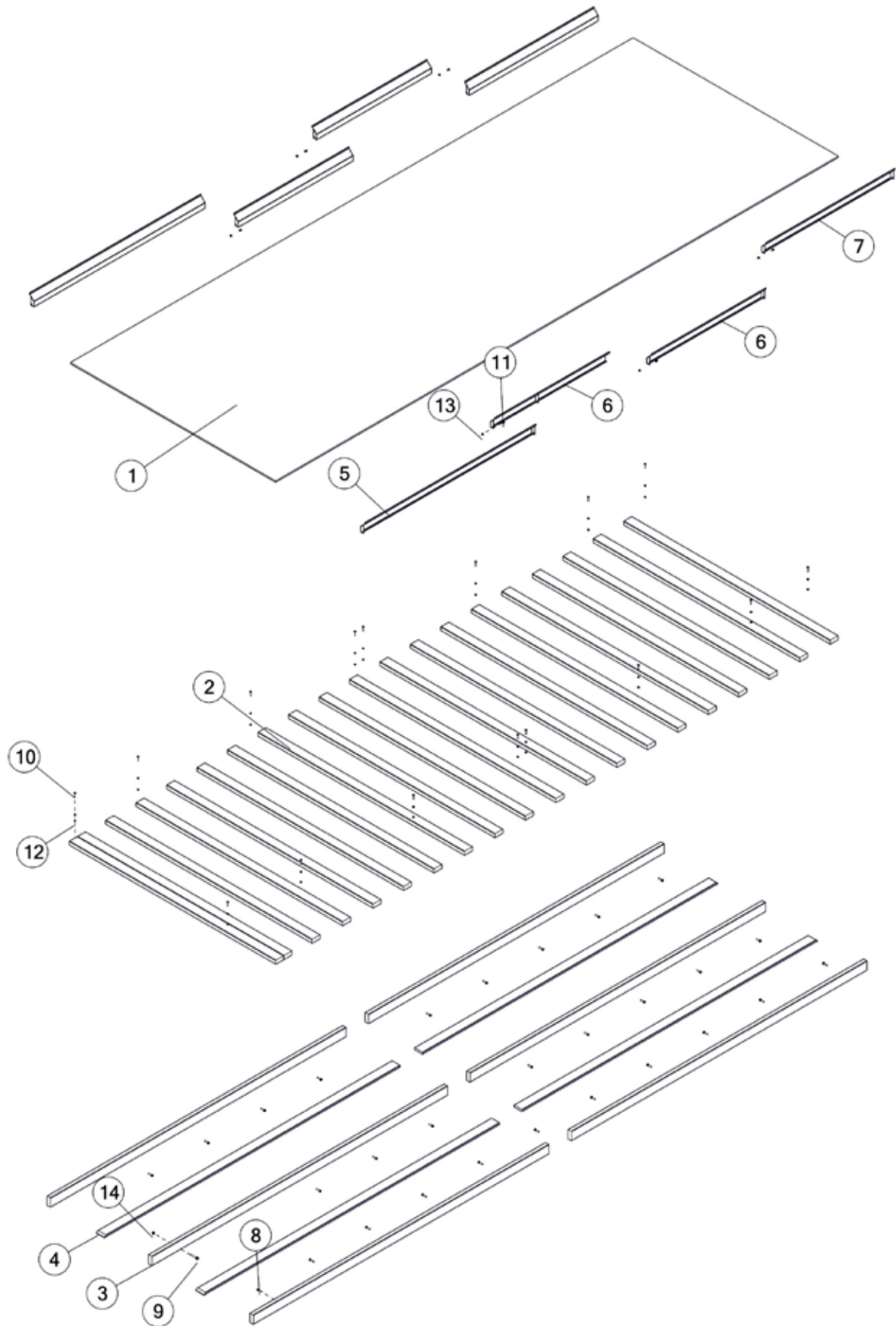
# **FIGURE 5** **19 FT FLOOR & COMPONENTS**



**FIGURE 5**  
**19 FT FLOOR & COMPONENTS**

<b><u>ITEM</u></b>	<b><u>QTY</u></b>	<b><u>19'</u></b>	<b><u>PART#</u></b>	<b><u>DESCRIPTION</u></b>
1	2		LBP12216	PLYWOOD FLOOR
2	1		S485	APRON CHAIN CENTER SPACER
3	2		LBST22	APRON CHAIN SIDE SPACER
4	2		87185	APRON CHAIN SIDE SPACER
5	17		LB2488	FLOOR CROSS MEMBER
6	2		69071	FLOOR SUPPORT
7	2		73436	APRON CHAIN RETURN SLIDE
8	1		66885	CENTER FLOOR SUPPORT
9	25		YBLG12150	BOLT LAG, 3/8 X 1-1/2
10	12		YBCR08010	BOLT CARRIAGE, 1/4 X 1-1/2 G5
11	1		YBFB12250	BOLT FLANGE, 3/8 X 2-1/2 G5
12	22		YNHX08007	NUT HEX, 1/4 G5
13	1		YNFG12006	NUT FLANGE, 3/8

# **FIGURE 5** **21 FT FLOOR & COMPONENTS**

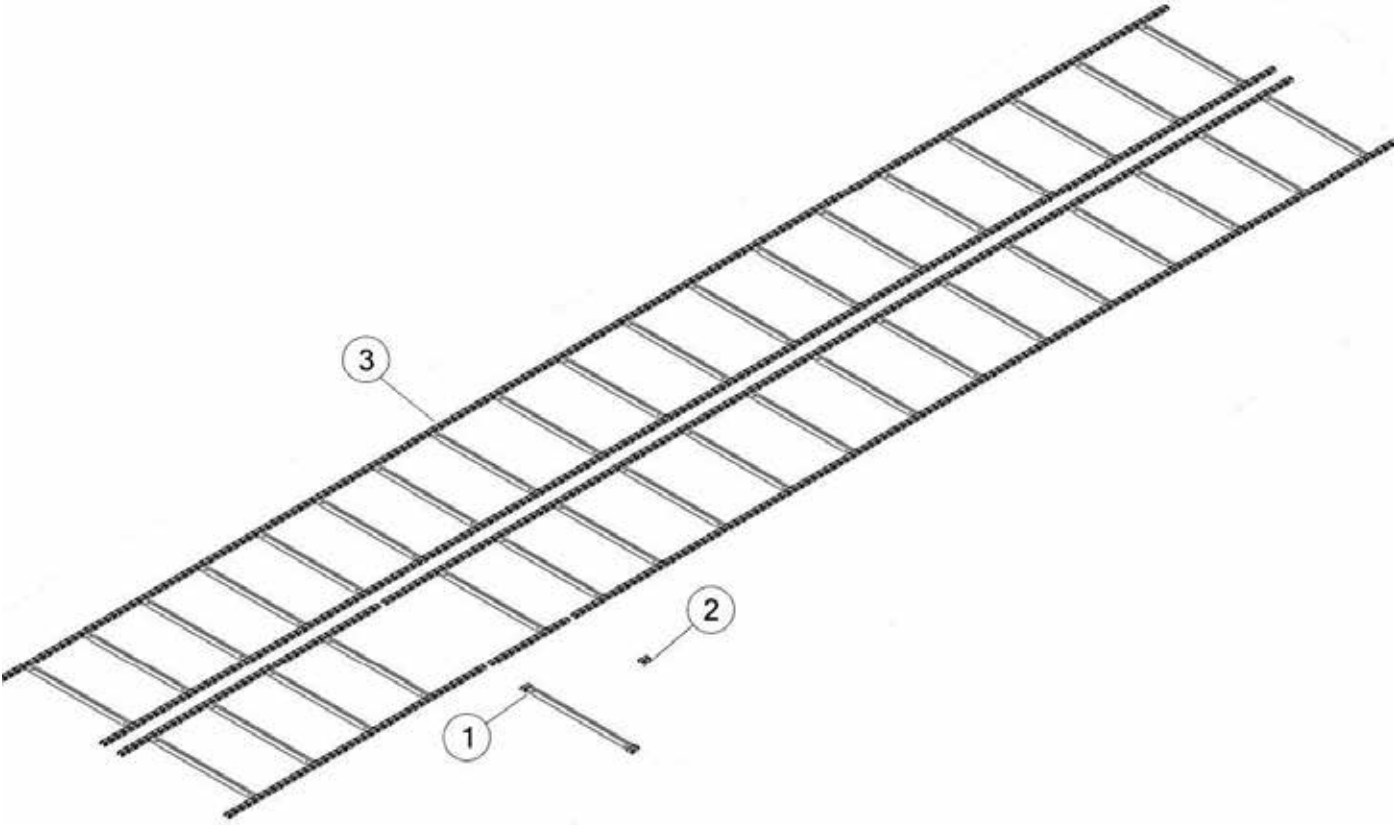


## FIGURE 5

### 21 FT FLOOR & COMPONENTS

<u>ITEM</u>	<u>QTY 21'</u>	<u>PART#</u>	<u>DESCRIPTION</u>
1	1	85467	POLY FLOOR
2	20	LB2488	FLOOR CROSS MEMBER
3	6	87240	CENTER FLOOR SUPPORT
4	4	87248	APRON CHAIN RETURN SLIDE
5	2	83488	APRON CHAIN SIDE SPACER
6	4	8352	APRON CHAIN SIDE SPACER
7	2	85440	APRON CHAIN SIDE SPACER
8	30	YBLG12150	BOLT LAG, 3/8 X 1-1/2 GA
9	1	YBFB12250	BOLT FLANGE, 3/8 X 2-1/2 G5
10	16	YBCR08010	BOLT CARRIAGE, 1/4 X 1-1/2 G5
11	6	YBFB08005	BOLT FLANGE, 1/4 X 1/2 G5
12	32	YNHX08007	NUT HEX, 1/4 G5
13	6	YNFG08010	NUT FLANGE, 1/4
14	1	YNFG12006	NUT FLANGE, 3/8

**FIGURE 6**  
**17 FT APRON CHAIN & COMPONENTS**



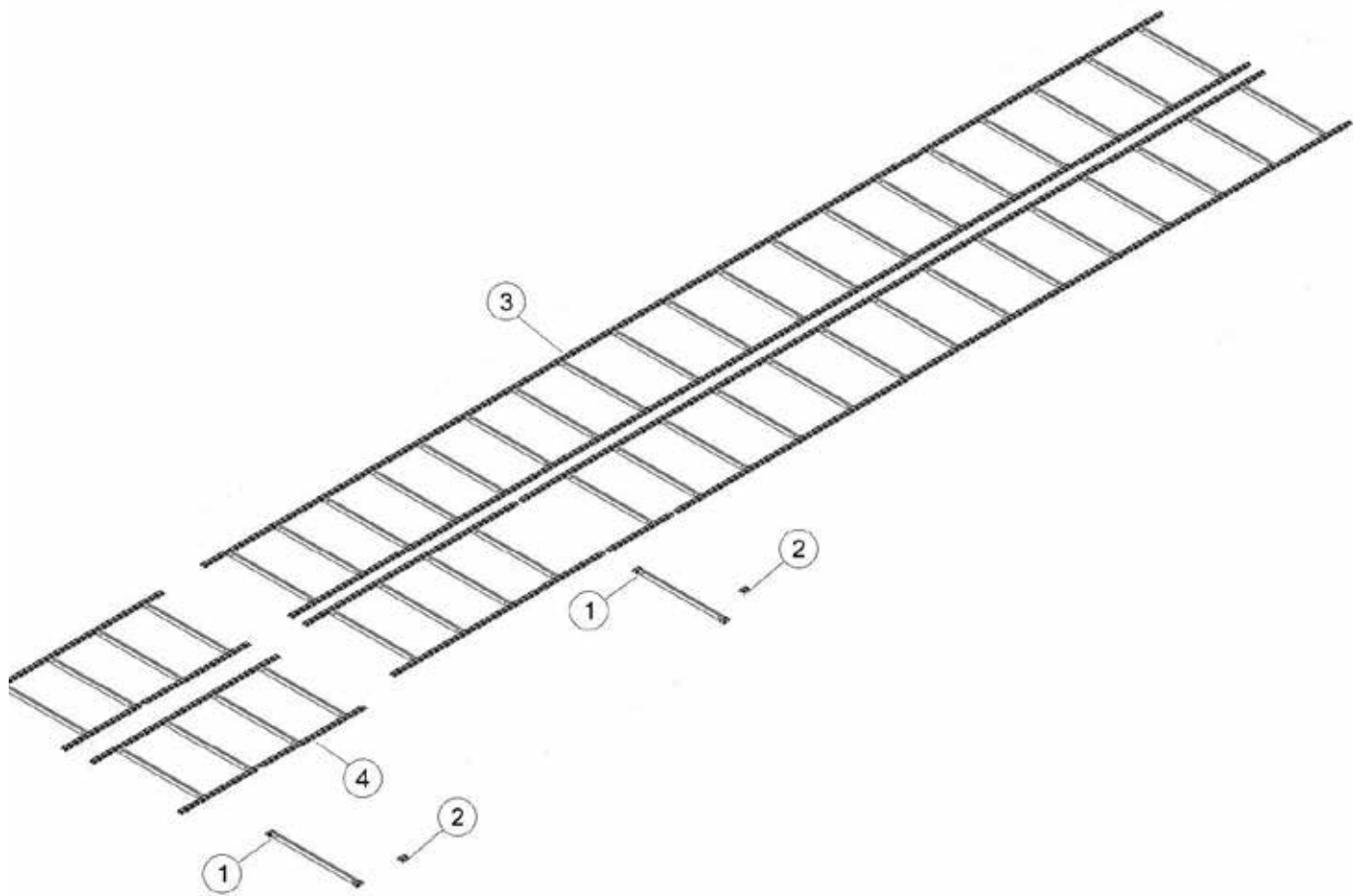


**FIGURE 6**  
**17 FT APRON CHAIN & COMPONENTS**

<b><u>ITEM</u></b>	<b><u>QTY</u></b>	<b><u>17'</u></b>	<b><u>PART#</u></b>	<b><u>DESCRIPTION</u></b>
1	**		IFB133	SLAT, W/ATTACHMENT LINK 667X
2	**		IFB134	CONN LINK W/PIN, 667X
3	2		78755	APRON CHAIN, 667X X 184

\*\* AS NEEDED

**FIGURE 6**  
**19 AND 21 FT APRON CHAIN & COMPONENTS**



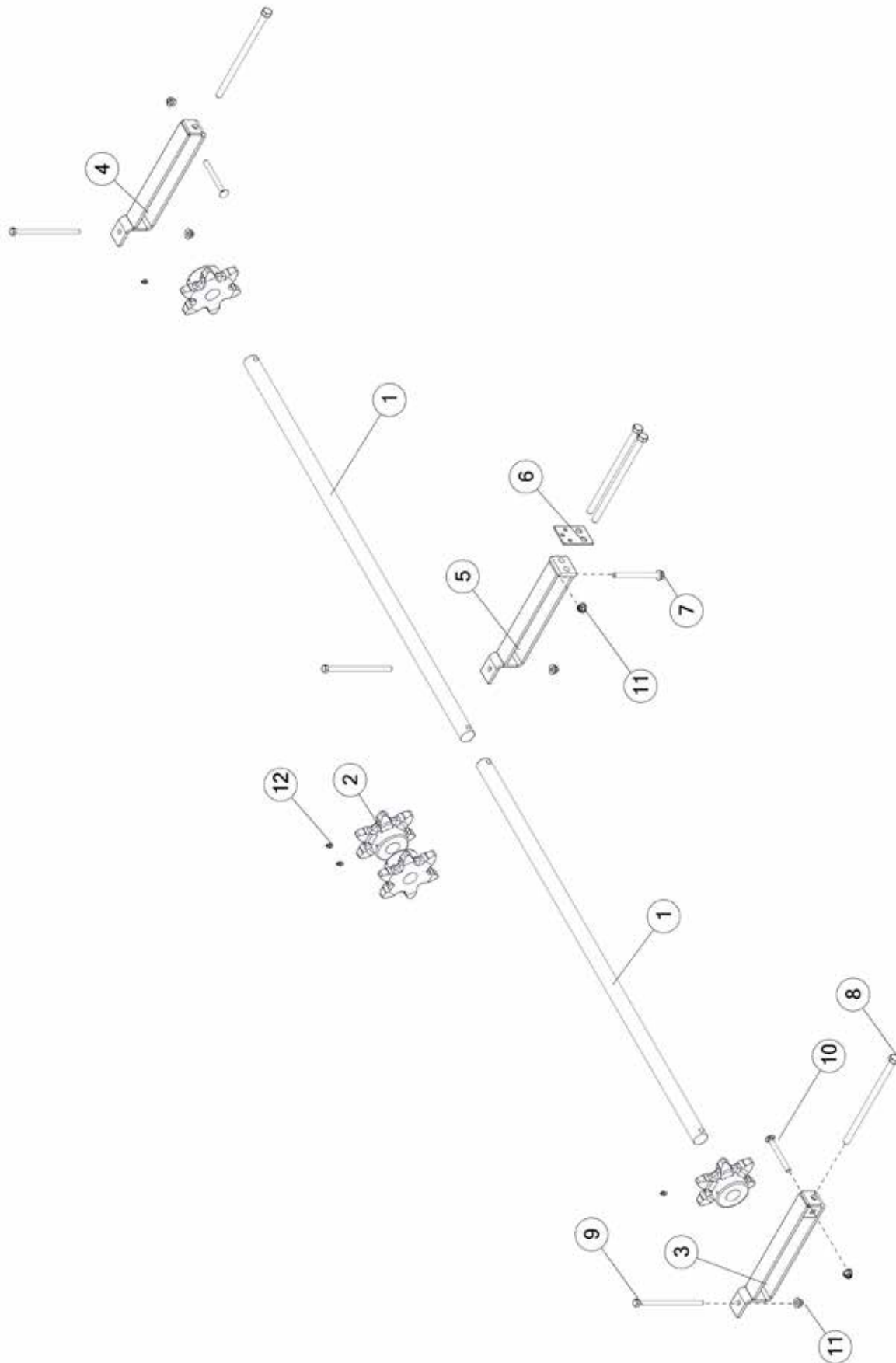
**FIGURE 6**  
**19 AND 21 FT APRON CHAIN & COMPONENTS**

<u>ITEM</u>	<u>QTY 19'</u>	<u>QTY 21'</u>	<u>PART#</u>	<u>DESCRIPTION</u>
1	**	**	IFB133	SLAT, W/ATTACHMENT LINK 667X
2	**	**	IFB134	CONN LINK W/PIN, 667X
3	2	2	78755	APRON CHAIN, 667X X 184
4	2	-	86158	APRON CHAIN, 667X X 23
4	-	2	86185	APRON CHAIN, 667X X 40

\*\* AS NEEDED

- NOT USED ON THIS MODEL

# **FIGURE 7** **IDLER SHAFT & COMPONENTS**

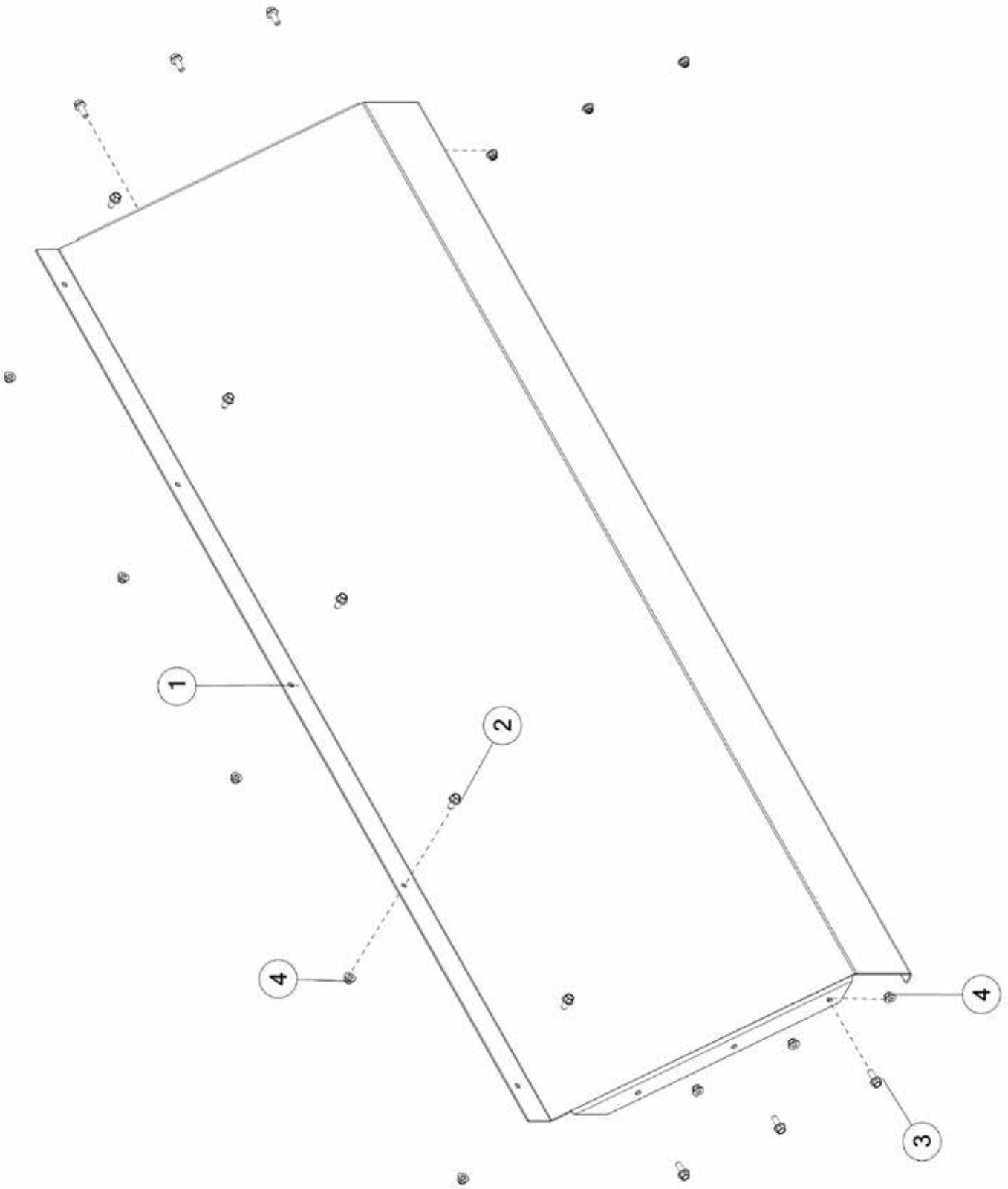


## FIGURE 7

### IDLER SHAFT & COMPONENTS

<u>ITEM</u>	<u>QTY 17'</u>	<u>QTY 19'</u>	<u>QTY 21'</u>	<u>PART#</u>	<u>DESCRIPTION</u>
1	2	2	2	87047	IDLER SHAFT
2	4	4	4	S60	IDLER SHAFT SPROCKET
3	1	1	1	87041	REAR IDLER BRACKET LH
4	1	1	1	87046	REAR IDLER BRACKET RH
5	1	1	1	S64	CENTER IDLER BRACKET
6	4	4	4	S371	CABLE BRACKET
7	1	1	1	YBFB12450	BOLT FLANGE, 3/8 X 4-1/2 G5
8	4	4	4	YBHH16190	BOLT HEX, 1/2 X 9-1/2
9	3	3	3	YBHH12240	BOLT HEX, 3/8 X 6-1/2 G5
10	2	2	2	YBCR12090	BOLT CARRIAGE, 3/8 X 3-3/4 G5
11	6	6	6	YNFG12006	NUT FLANGE, 3/8
12	4	4	4	G89	STRAIGHT ZERK 1/4-28 X 90

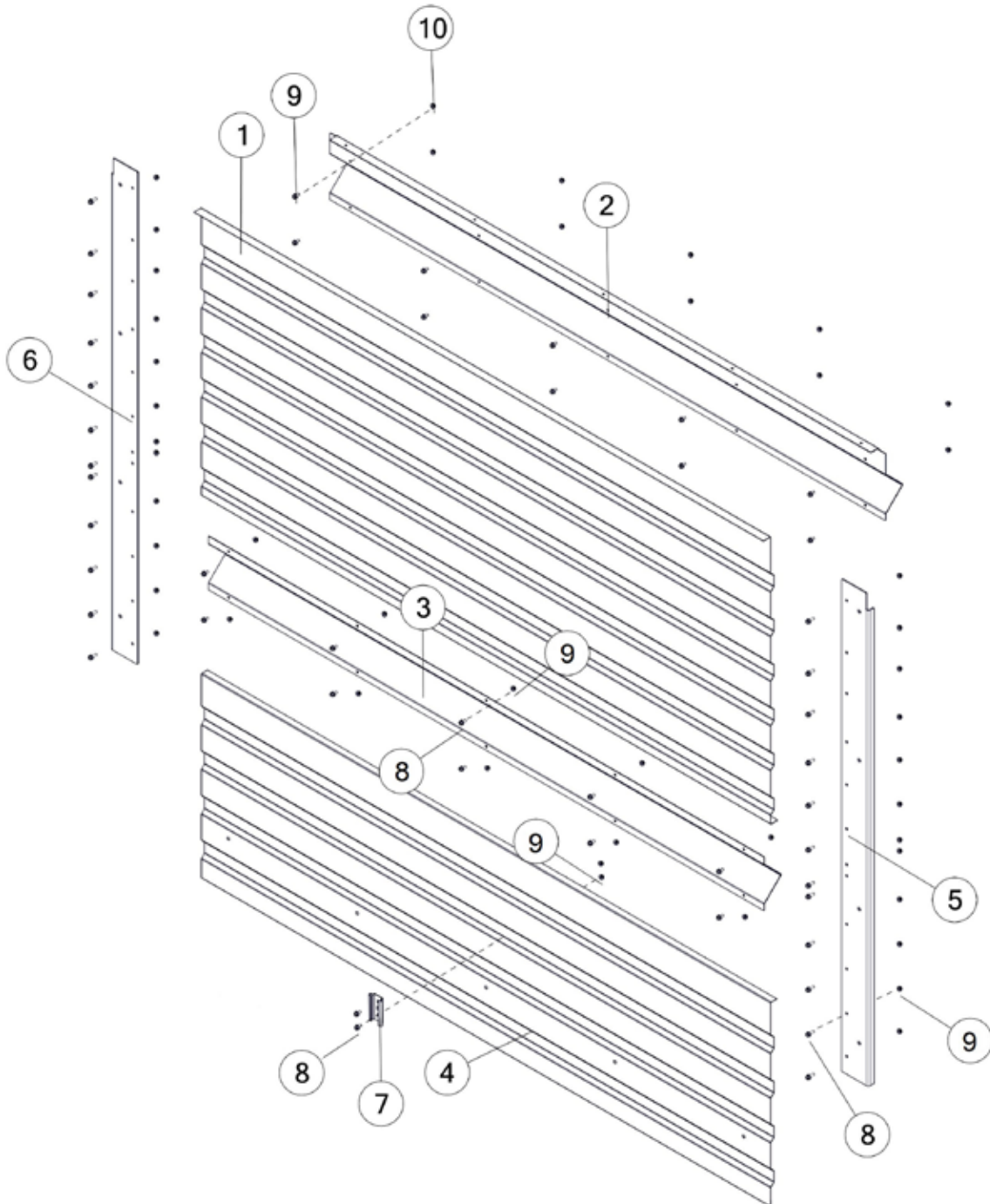
**FIGURE 8**  
**BACK INSERT & COMPONENTS**



**FIGURE 8**  
**BACK INSERT & COMPONENTS**

<u>ITEM</u>	<u>QTY 17'</u>	<u>QTY 19'</u>	<u>QTY 21'</u>	<u>PART#</u>	<u>DESCRIPTION</u>
1	1	1	1	87142B	INSERT, BACK
2	5	5	5	YBFB12075	BOLT FLANGE, 3/8 X 3/4 G5
3	6	6	6	YBFB12003	BOLT FLANGE, 3/8 X 1 G5
4	11	11	11	YNFG12006	NUT FLANGE, 3/8

# **FIGURE 9** **BACK DOOR & COMPONENTS**

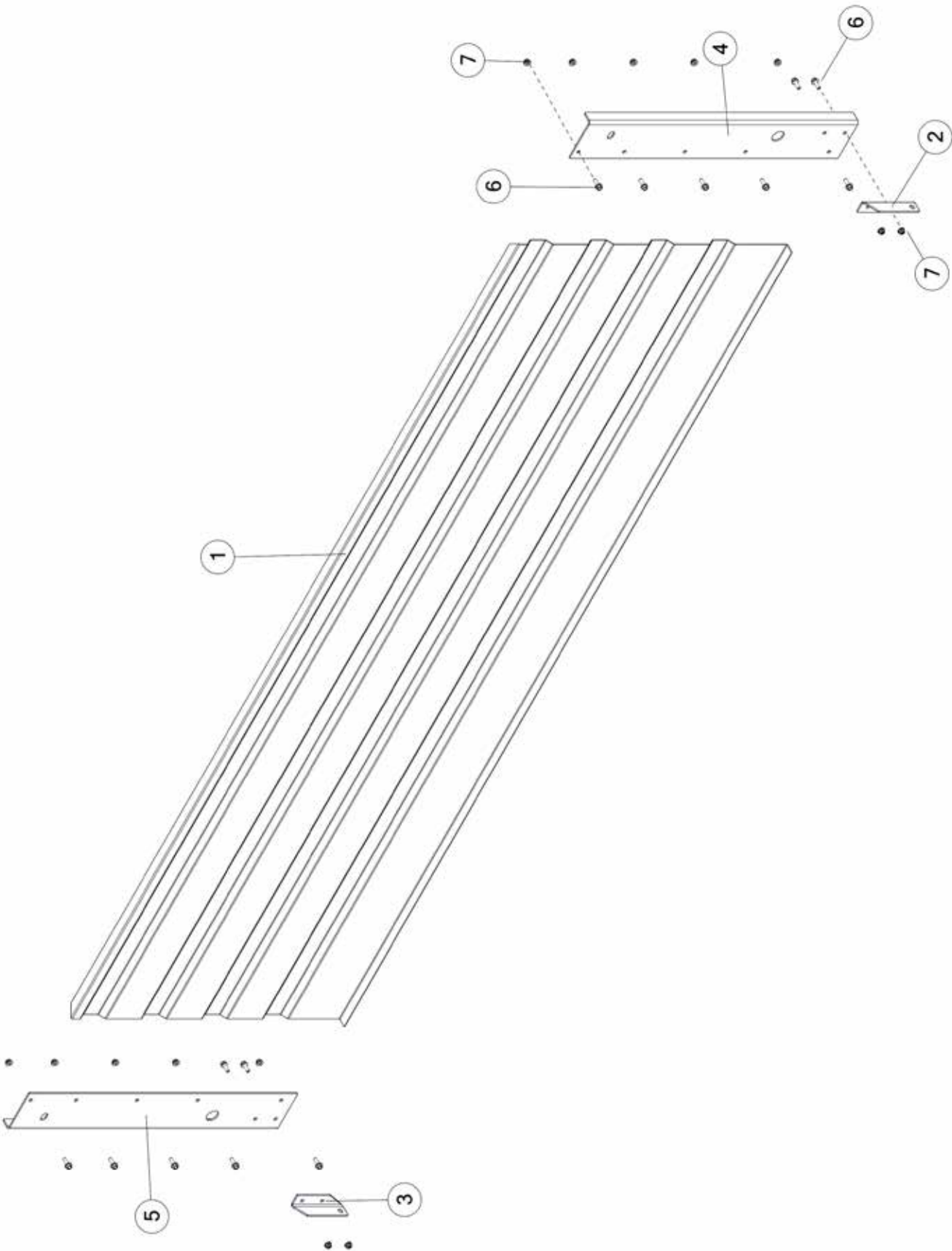




**FIGURE 9**  
**BACK DOOR & COMPONENTS**

<u>ITEM</u>	<u>QTY 17'</u>	<u>QTY 19'</u>	<u>QTY 21'</u>	<u>PART#</u>	<u>DESCRIPTION</u>
1	1	1	1	S188	BACK DOOR TOP STEEL
2	1	1	1	SSF14G07	PANEL BRACE
3	1	1	1	87093	PANEL BRACE
4	1	1	1	87056	BACK DOOR CENTER STEEL
5	1	1	1	87061	BACK DOOR TOP RH
6	1	1	1	87063	BACK DOOR TOP LH
7	1	1	1	F97	SMV BRACKET
8	46	46	46	YBFB08005	BOLT FLANGE, 1/4 X 1/2 G5
9	46	46	46	YNFG08010	NUT FLANGE, 1/4

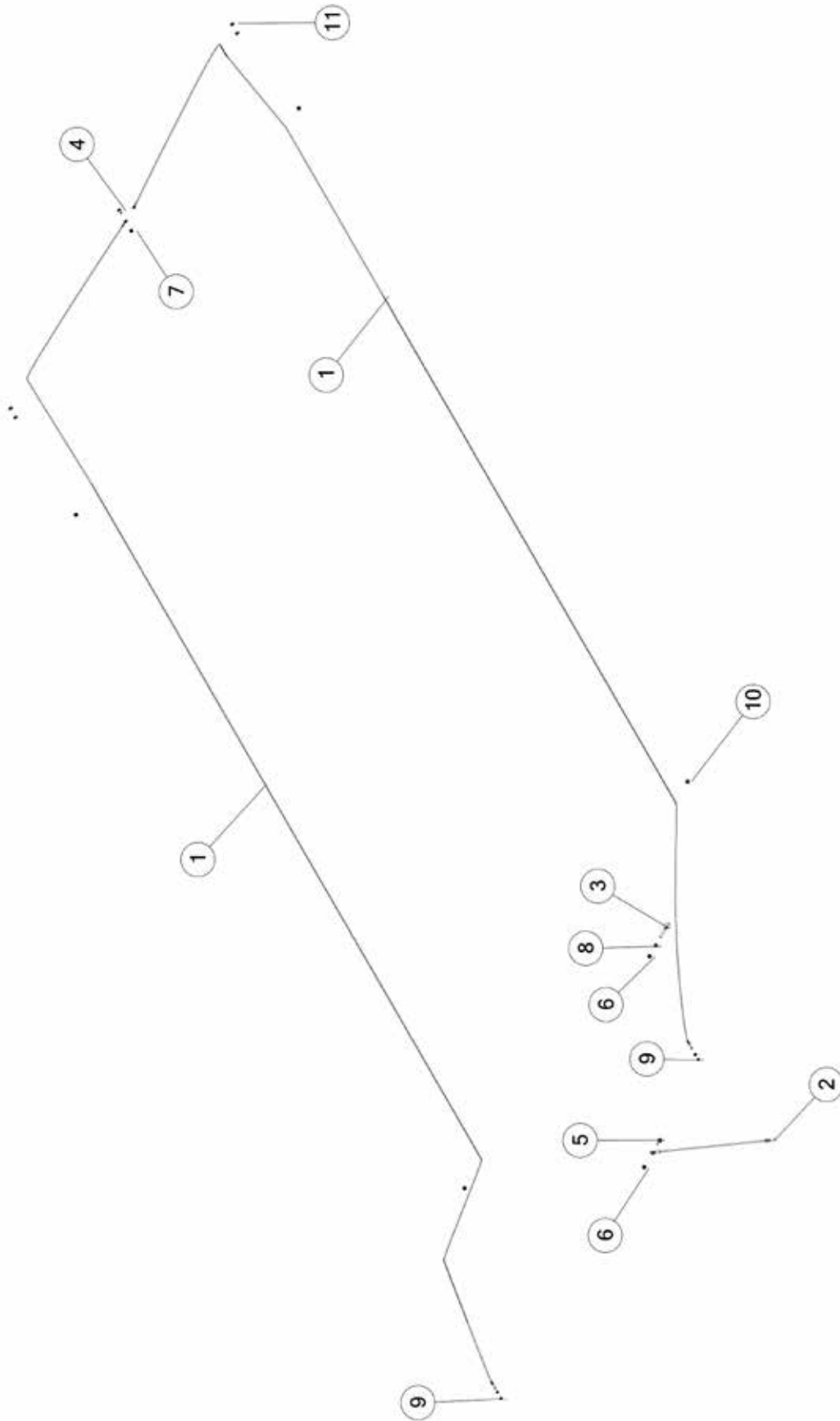
**FIGURE 10**  
**BACK DOOR TAILGATE & COMPONENTS**



**FIGURE 10**  
**BACK DOOR TAILGATE & COMPONENTS**

<u>ITEM</u>	<u>QTY 17'</u>	<u>QTY 19'</u>	<u>QTY 21'</u>	<u>PART#</u>	<u>DESCRIPTION</u>
1	1	1	1	S197	BACK DOOR TAILGATE STEEL
2	1	1	1	S199	HINGE TOP PIECE RH
3	1	1	1	S193	HINGE TOP PIECE LH
4	1	1	1	S196	TAILGATE SIDE PIECE RH
5	1	1	1	S195	TAILGATE SIDE PIECE LH
6	14	14	14	YBFB08075	BOLT FLANGE, 1/4 X 3/4 G5
7	14	14	14	YNFG08010	NUT FLANGE, 1/4

**FIGURE 11**  
**SAFETY CABLE & COMPONENTS**



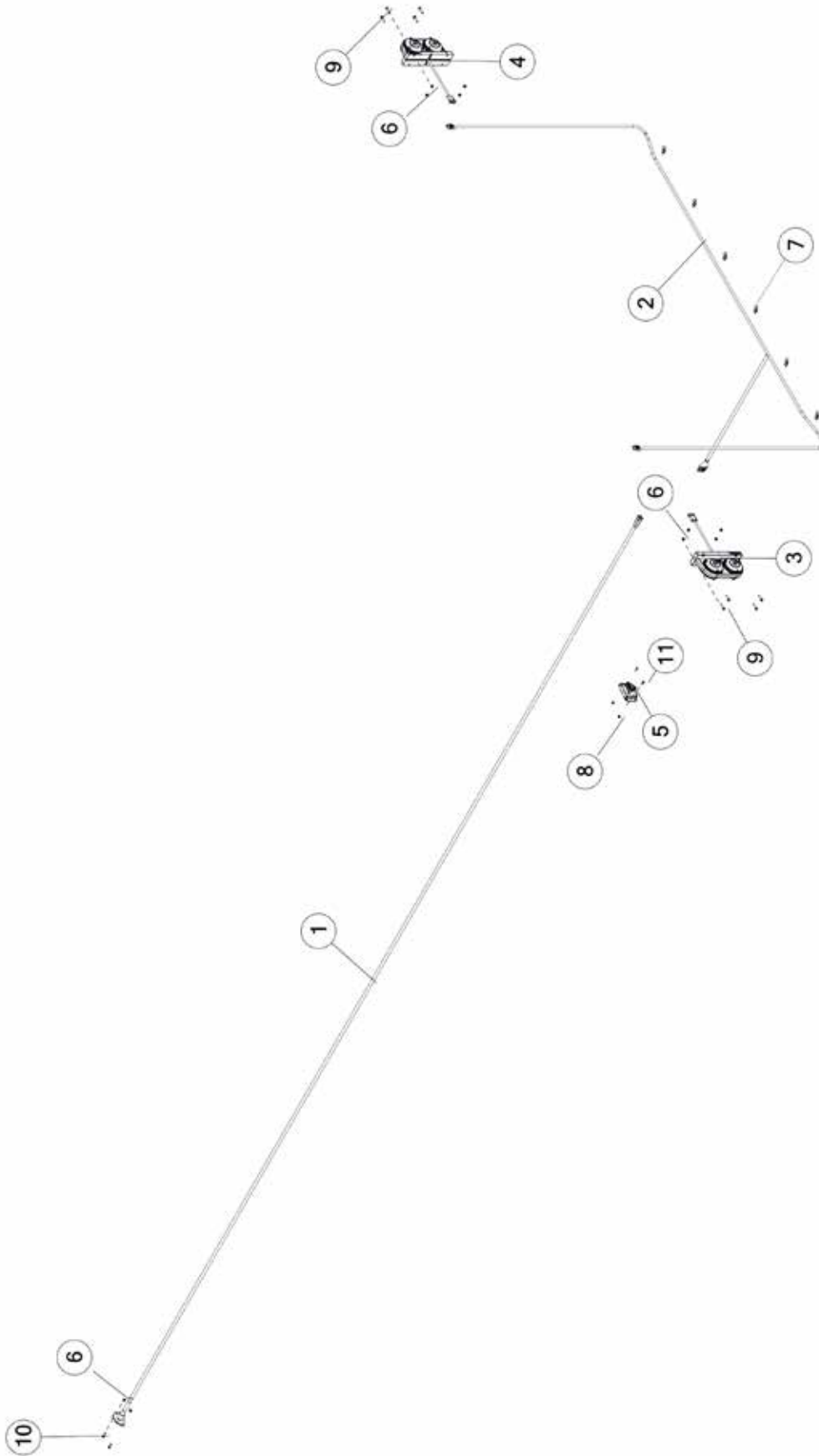
## FIGURE 11

### SAFETY CABLE & COMPONENTS

<u>ITEM</u>	<u>QTY 17'</u>	<u>QTY 19'</u>	<u>QTY 21'</u>	<u>PART#</u>	<u>DESCRIPTION</u>
1	2	-	-	87154	EMERGENCY STOP CABLE RH
1	-	2	-	80810	EMERGENCY STOP CABLE RH
1	-	-	2	87158	EMERGENCY STOP CABLE RH
2	1	1	1	80576	EMERGENCY STOP CABLE LH
3	1	1	1	YBTE12015	BOLT TURNED EYE, 3/8 X 2-1/2
4	1	1	1	YBFB10075	BOLT FLANGE, 5/16 X 3/4 G5
5	1	1	1	YBFB12003	BOLT FLANGE, 3/8 X 1 G5
6	2	2	2	YNFG12006	NUT FLANGE, 3/8
7	1	1	1	YNFG10005	NUT FLANGE, 5/16
8	1	1	1	YNHX12005	NUT, HEX, 3/8
9	4	4	4	YNHX08006	NUT, HEX, 1/4 G5
10	4	4	4	85283	GROMMET
11	4	4	4	ST57	PLASTIC GROMMET FOR CABLE

- NOT USED ON THIS MODEL

**FIGURE 12**  
**LIGHTS**

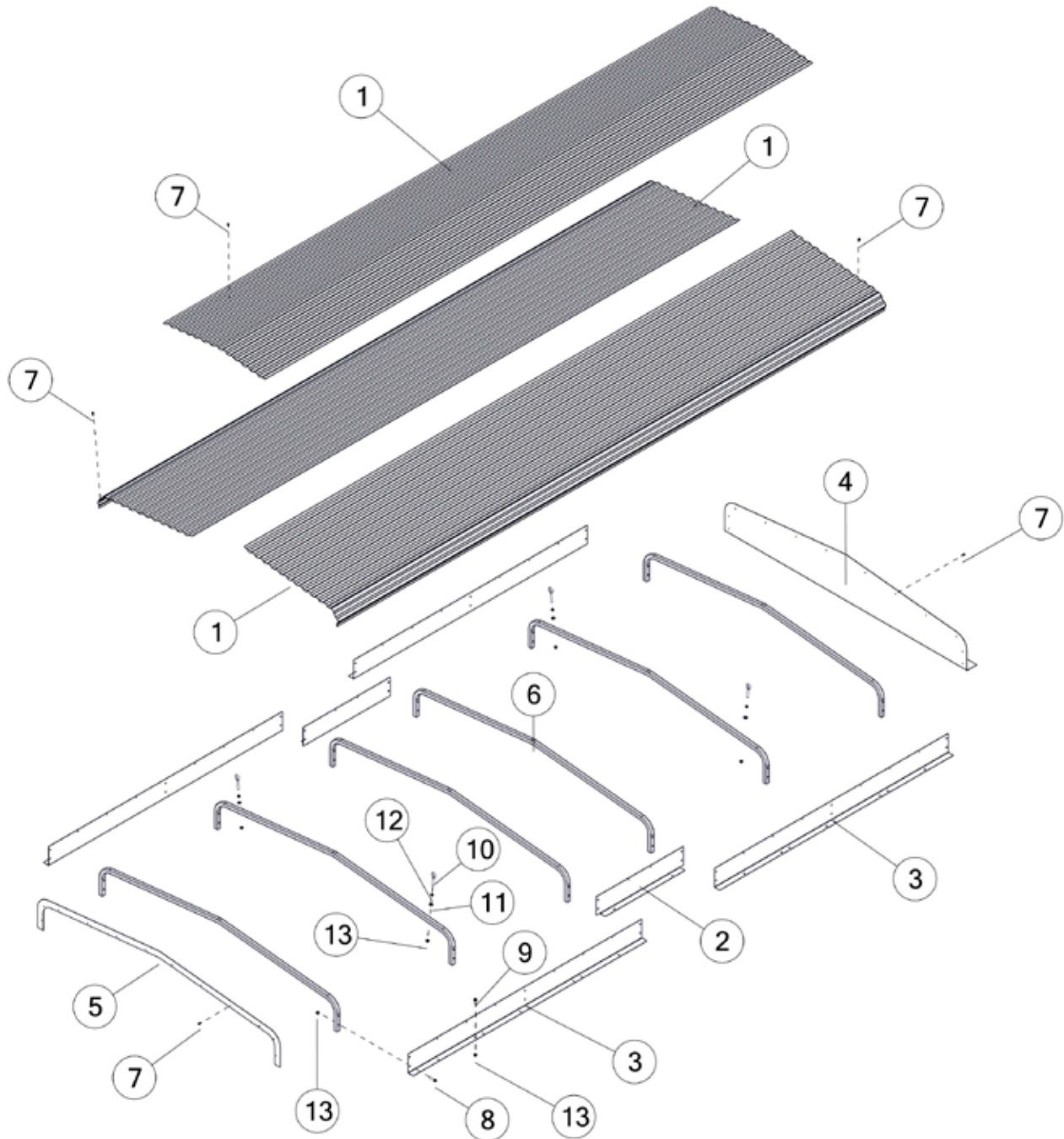


## FIGURE 12 LIGHTS

<u>ITEM</u>	<u>QTY 17'</u>	<u>QTY 19'</u>	<u>QTY 21'</u>	<u>PART#</u>	<u>DESCRIPTION</u>
1	1	1	-	BFR668	LIGHT HARNESS, FRONT
1	-	-	1	BFR669	LIGHT HARNESS, FRONT
2	1	1	1	78360	LIGHT HARNESS, BACK
3	1	1	1	77923	TAIL LIGHT LH
4	1	1	1	77924	TAIL LIGHT RH
5	1	1	1	72755	MODULE
6	10	10	10	YNFG08010	NUT FLANGE, 1/4
7	21	22	27	56021	METAL WIRE CLIP
8	3	3	3	YNNY64005	NUT HEX, #10-24 G2
9	8	8	8	YBHH08035	BOLT HEX, 1/4 X 1-1/4
10	2	2	2	YBFB08075	BOLT FLANGE 1/4 X 3/4 G5
11	3	3	3	YSPN64005	SCREW PAN HEAD, 10 X 5/8

- NOT USED ON THIS MODEL

# **FIGURE 13** **ROOF & COMPONENTS**





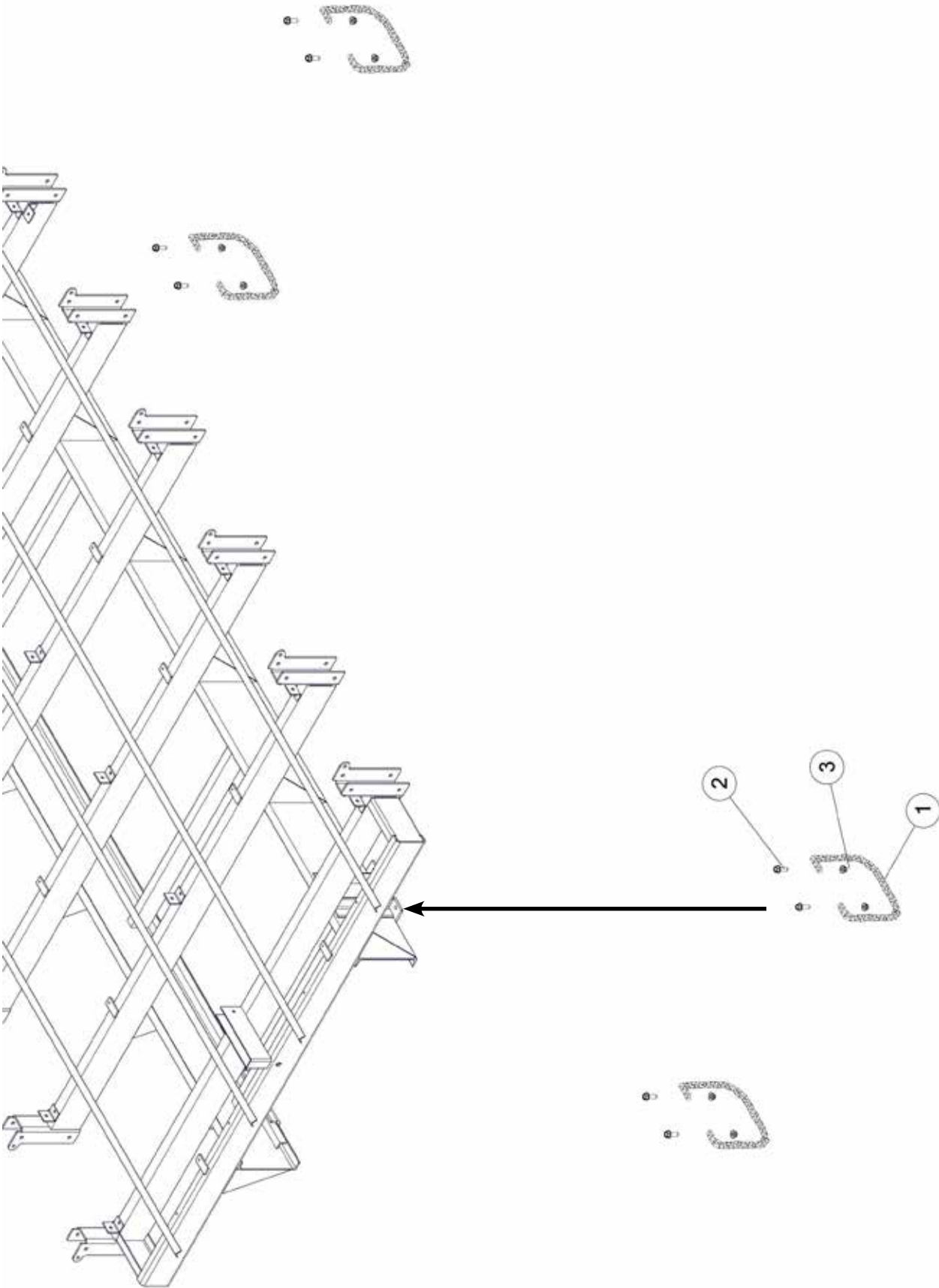
## **FIGURE 13**

### **ROOF & COMPONENTS**

<b><u>ITEM</u></b>	<b><u>QTY 17'</u></b>	<b><u>QTY 19'</u></b>	<b><u>QTY 21'</u></b>	<b><u>PART#</u></b>	<b><u>DESCRIPTION</u></b>
1	3	-	-	77545	ROOF PANEL, 17 FT
1	-	3	-	75749	ROOF PANEL, 19 FT
1	-	-	3	77574	ROOF PANEL, 21 FT
2	2	-	-	79883	ROOF SILL MIDDLE, 17 FT
2	-	2	-	79903	ROOF SILL MIDDLE, 19 FT
2	-	-	2	79905	ROOF SILL MIDDLE, 21 FT
3	4	4	4	79906	ROOF SILL
4	1	1	1	87161	ROOF FILLER PANEL
5	1	1	1	78170	BRANCH GUARD, FRONT
6	6	6	7	75759	ROOF SUPPORT
7	120	120	136	YSDR68005	SCREW SELF DRILLING, HEX WASHER, 3/4
8	24	24	28	YBFB12200	BOLT FLANGE, 3/8 X 2 G5
9	24	26	26	YBFB12003	BOLT FLANGE, 3/8 X 1 G5
10	4	4	4	YBWE12100	BOLT WELDED EYE, 3/8 X 3
11	4	4	4	YWFL12005	WASHER FLAT, 3/8
12	4	4	4	YNHX12005	NUT HEX, 3/8
13	52	54	58	YNFG12006	NUT FLANGE, 3/8

- NOT USED ON THIS MODEL

**FIGURE 14**  
**TIE DOWN KIT**



**FIGURE 14**  
**TIE DOWN KIT**

<u>ITEM</u>	<u>QTY 17'</u>	<u>QTY 19'</u>	<u>QTY 21'</u>	<u>PART#</u>	<u>DESCRIPTION</u>
1	4	4	4	S322	CHAIN COIL
2	8	8	8	YBFB16150	BOLT FLANGE, 1/2 X 1-1/2 G5
3	8	8	8	YNFG16003	NUT FLANGE, 1/2

# PARTS NOTES

---

---

---

---

---

---

---

---

---

---

---

---

---

---

---

---

---

---

---

---

---

---

---

---

---

---

---

---

---

# CHANGE NOTES

1. Added TA Section
2. Removed YBFB08075 on Figure 9 and added QTY 46 to Item 9. Back Door & Components

**H&S MFG. CO.**

products approved

for the

**FEMA**

**SEAL OF QUALITY**

