

# **H&S** PARTS BOOK

# 5220 TOP SHOT MANURE SPREADER



Revision #05

Starting Ser. #122TS20012

HSMFGC0920

PART#73200

Manufactured by  
**H&S MANUFACTURING CO., INC.**  
2608 S. HUME AVE. MARSHFIELD, WI 54449  
(715) 387-3414 | hsmfgco.com



# CONTENTS

Instructions for Ordering Parts - About Improvements . . . . .	1
Figure 1 - Auger/Liner/Slides/Hitch . . . . .	2-5
Figure 2 - Auger Drive . . . . .	6-9
Figure 3 - Expeller/Discharge Gate/Bearings . . . . .	10-11
Figure 4 - Expeller/Discharge Gate/Door . . . . .	12-13
Figure 5 - Expeller/Discharge Gate/Pan . . . . .	14-15
Figure 6 - Input Shaft/Expeller Drive . . . . .	16-19
Figure 7 - Guards/Shields . . . . .	20-21
Figure 8 - Splash Guards/Rails . . . . .	22-23
Figure 9 - Hydraulics . . . . .	24-25
Figure 10 - 5120 Tandem Axles . . . . .	26-27
Figure 11 - TSSA Optional Axle. . . . .	28-29
Figure 12 - TSDA Optional Axle . . . . .	30-31
Figure 13 - Oiler Kit. . . . .	32-33
Figure 14 - Front Grease Lines. . . . .	34-35
Figure 15 - Lighting. . . . .	36-37
Figure 16 - Auger. . . . .	38-39
Figure 17 - Auger Front/Rear Hydraulic Cylinder. . . . .	40-41
Figure 18 - Expeller Door Trunnion Mount Hydraulic Cylinder. . . . .	42-43
Figure 19 - Scale. . . . .	44-45
Figure 20 - PTO (540 RPM). . . . .	46-47
Figure 21 - OPTIONAL PTO (1000 RPM) . . . . .	48-49
Parts Notes. . . . .	50

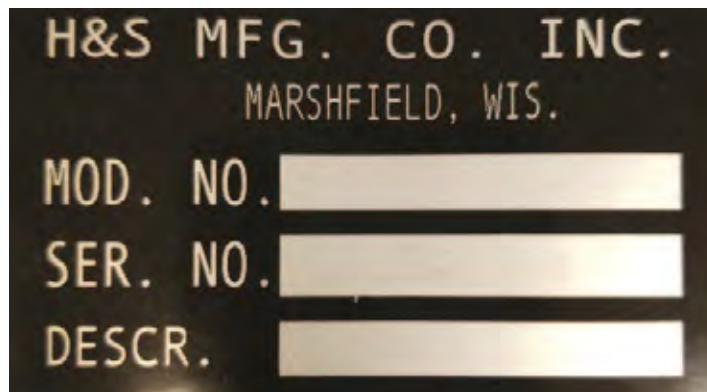
# **INSTRUCTIONS FOR ORDERING PARTS**

All service parts should be ordered through your authorized H&S dealer. He will be able to give you faster service if you will provide them with the following:

1. Model & Serial Number - Both can be located on the front main frame, below the PTO.
2. All references to left or right apply to the machine as viewed from the rear.
3. Parts should not be ordered from illustration only. Please order complete part number.
4. If your dealer has to order parts - give shipping instructions:

VIA truck - large pieces (please specify local truck lines)

VIA United Parcel Service (include full address)



H&S MFG. CO. INC.  
MARSHFIELD, WIS.

MOD. NO.

SER. NO.

DESCR.

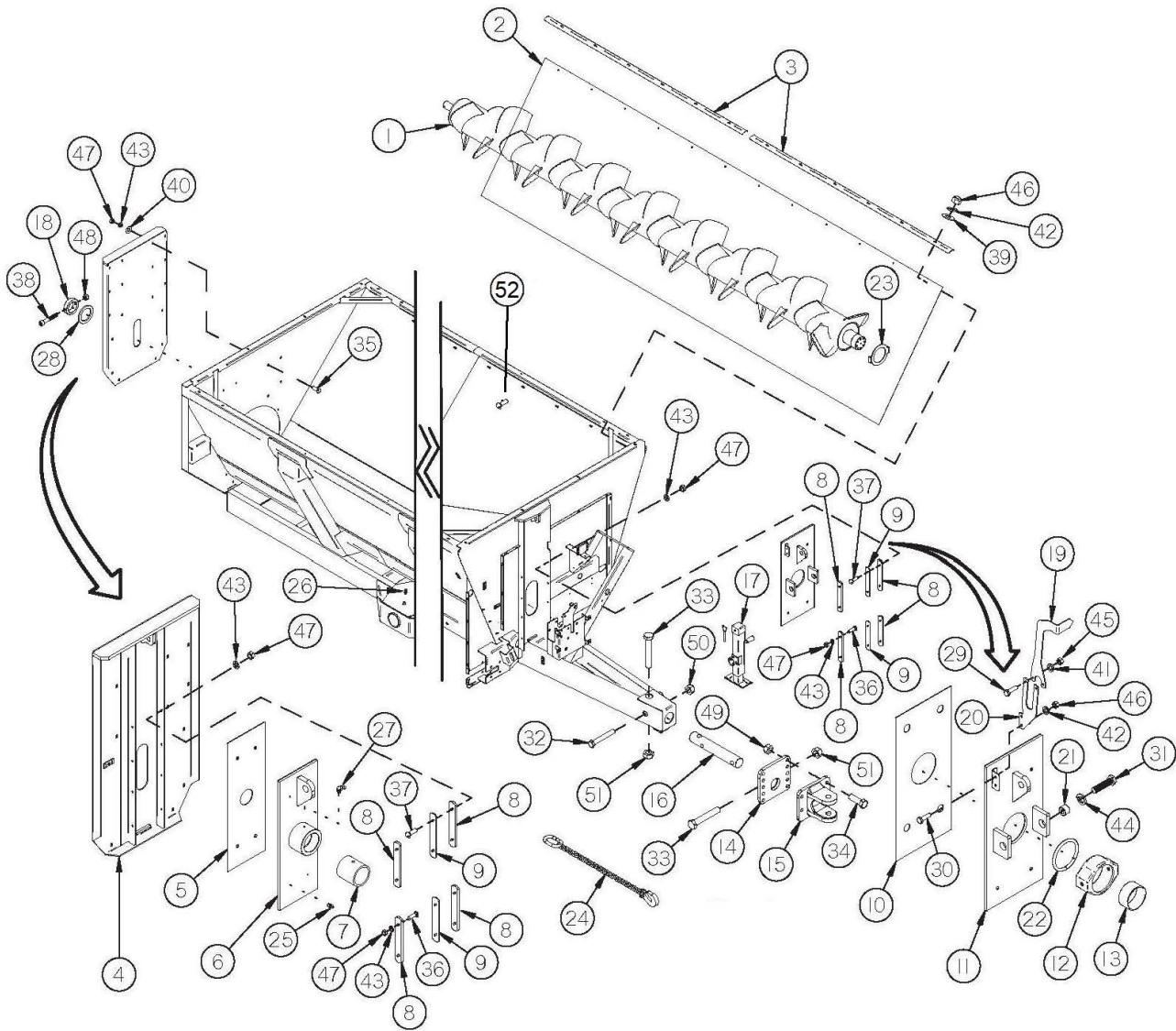
PLEASE RECORD NUMBERS FOR YOUR UNIT FOR QUICK REFERENCE

## **ABOUT IMPROVEMENTS**

H&S IS CONTINUALLY STRIVING TO IMPROVE IT'S PRODUCTS

We must therefore, reserve the right to make improvements or changes whenever it becomes practical to do so, without incurring any obligation to make changes or additions to the equipment previously sold.

# **FIGURE 1** **AUGER/LINER/SLIDES/HITCH**



# FIGURE 1

## AUGER/LINER/SLIDES/HITCH

<u>ITEM</u>	<u>QTY</u>	<u>PART#</u>	<u>DESCRIPTION</u>
1	1	TS1	AUGER
2	1	TS2	TUB SIDE POLY
3	1	TS4	POLY TOP HOLD DOWN
4	1	TS6	BACK PANEL
5	1	TS7	BACK SLIDER POLY
6	1	TS8	BACK SLIDER
7	1	TS9	REAR AUGER BUSHING
8	8	TS10	SLIDER GUIDE
9	4	TS308	SLIDER GUIDE THIN
10	1	TS11	FRONT POLY SLIDE
11	1	TS12	FRONT SLIDE PLATE
12	1	TS14	TRUNNION HOUSING
13	1	TS15	FRONT AUGER BEARING
*	1	TS399	TRUNNION HOUSING WITH BEARING
14	1	TS16	ADJUSTABLE SCALE HITCH MOUNT
15	1	APX2WE63	SCALE HITCH ADJUSTABLE CLEVIS
16	1	GM73	HITCH BAR STRAIGHT
17	1	TS306	JACK
18	1	TS19	AUGER BACK COLLAR
19	1	TS207	AUGER INDICATOR TOP
20	1	TS208	AUGER INDICATOR BOTTOM
21	2	TS330	TRUNNION PIVOT BUSHING
22	1	TS33	AUGER SPROCKET RUBBER GASKET
23	1	TS102	TRUNION SPACER
24	1	SC40500	SAFETY CHAIN
25	4	G89	ZERK

**\*MEANS NOT SHOWN**



# FIGURE 1

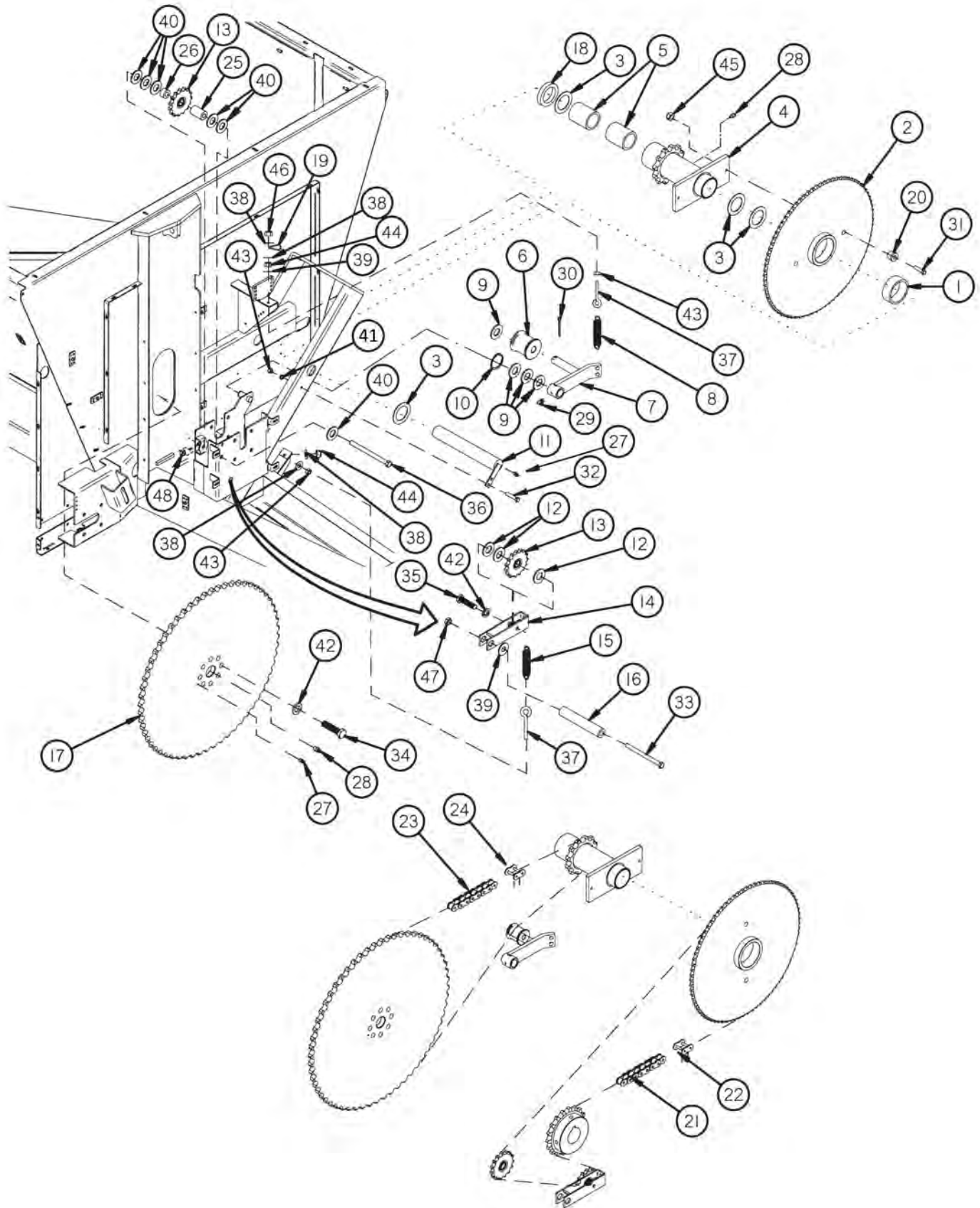
## AUGER/LINER/SLIDES/HITCH

<u>ITEM</u>	<u>QTY</u>	<u>PART#</u>	<u>DESCRIPTION</u>
26	2	BFR28	ZERK 1/8 NPT
27	1	RG51	ZERK
28	A/R	TS227	SPACER
*	A/R	TS28	SPACER
29	2	YBHH08100	BOLT HEX, 1/4 X 3/4 G5
30	2	YBHH10105	BOLT HEX, 5/16 X 3/4 G5
31	2	YBHH20022	BOLT HEX, 5/8 X 1-3/4 G8
32	1	YBHH24083	BOLT HEX, 3/4 X 5 G8
33	2	YBHH32023	BOLT, 1 X 5 G8
34	4	YBHH24032	BOLT HEX, 3/4 X 2-1/2 G8
35	14	YBCR12010	BOLT CARRIAGE, 3/8 X 1 G5
36	8	YBCR12020	BOLT CARRIAGE, 3/8 X 1-1/4 G5
37	8	YBCR12015	BOLT CARRIAGE, 3/8 X 1-1/2 G5
38	1	YSHS12018	SCREW SOCKET HEAD, 3/8 X 4
39	12	YWFL10005	WASHER FLAT, 5/16 USS
40	14	YWFL12005	WASHER FLAT, 3/8 USS
41	2	YWLO08005	WASHER LOCK, 1/4
42	14	YWLO10005	WASHER LOCK, 5/16
43	30	YWLO12005	WASHER LOCK, 3/8
44	2	YWLO20005	WASHER LOCK, 5/8
45	2	YNHX08005	NUT HEX, 1/4
46	14	YNHX10005	NUT HEX, 5/16
47	30	YNHX12005	NUT HEX, 3/8
48	1	YNTL12005	NUT HEX TOP LOCK, 3/8
49	4	YNTL24006	NUT HEX TOP LOCK, 3/4 G8
50	1	YNRL24005	NUT HEX REVERSIBLE-SIDE LOCK, 3/4
51	2	YNRL32005	NUT HEX REVERSIBLE-SIDE LOCK, 1
52	12	YBHH10045	BOLT HEX, 5/16 X 1-1/4 G5

**\*MEANS NOT SHOWN**

**A/R MEANS AS REQUIRED**

# FIGURE 2 AUGER DRIVE



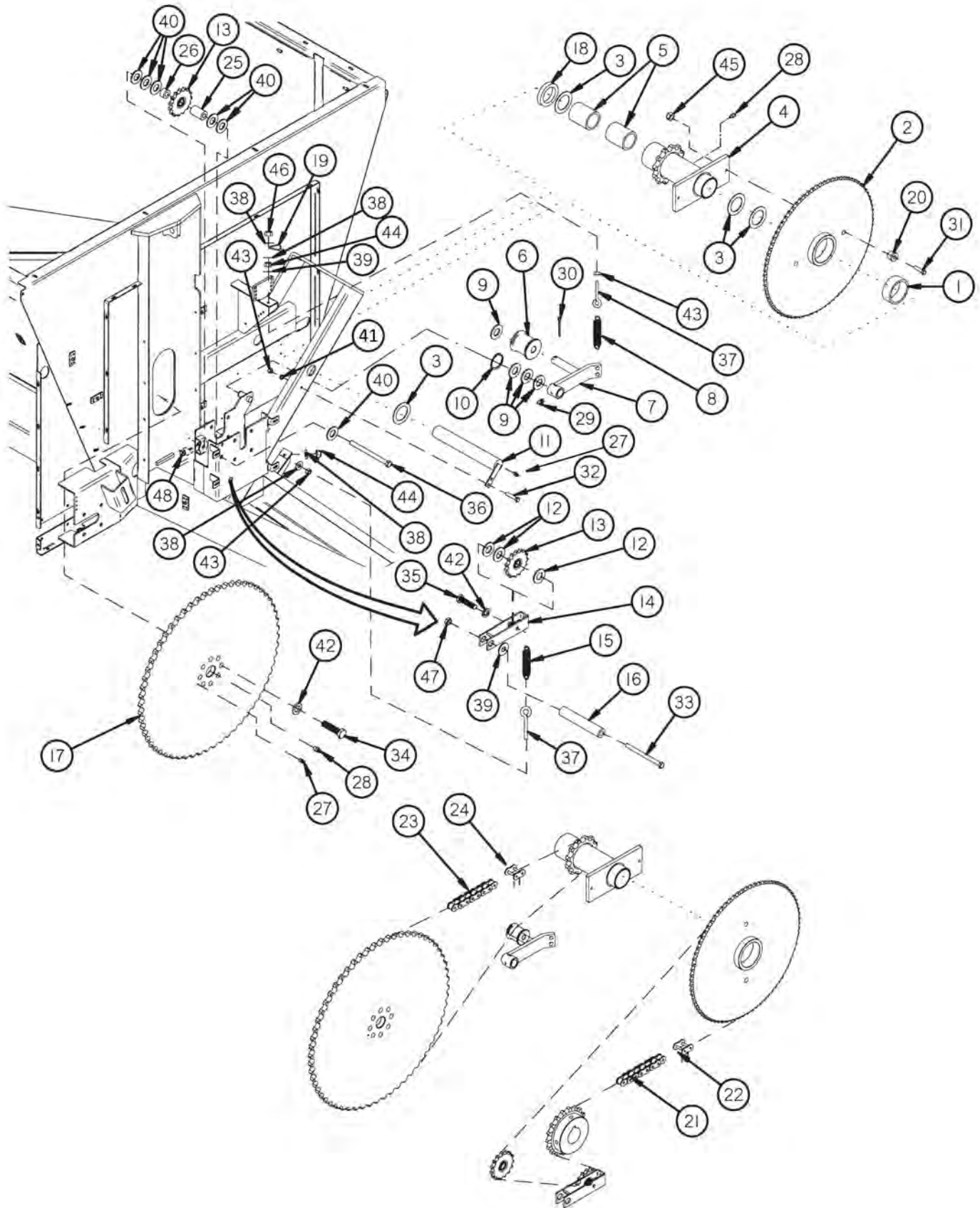


## FIGURE 2 AUGER DRIVE

<u>ITEM</u>	<u>QTY</u>	<u>PART#</u>	<u>DESCRIPTION</u>
1	1	TS20	BRONZE BUSHING
2	1	TS21	SPROCKET/ASSY 80T (STANDARD 540 RPM)
*	1	TS312	SPROCKET/ASSY 119T (STANDARD 1000 RPM)
3	A/R	TS22	SPACER
*	A/R	56N183	SPACER
4	1	TS23	COUNTER SHAFT ASSEMBLY
5	2	73572	BUSHING
6	1	TS25	ROLLER IDLER
7	1	TS26	AUGER CHAIN TENSIONER
8	1	BFR138	SPRING
9	3	S345	SPACER
10	1	3G21	SNAP RING
11	1	73569	SHAFT
12	A/R	T73	SPACER
*	A/R	16SV49	SPACER
13	2	TS29	SPROCKET/IDLER ASSY.
14	1	TS30	IDLER ASSY.
15	1	ST36	SPRING EXTENSION
*	1	GM410	SPRING (1000 RPM ONLY)
16	1	TS31	TENSIONER PIVOT TUBE
17	1	TS32	SPROCKET ASSY.
18	1	TS328	SPACER
19	1	HGV72	SMALL TUBE HOLDER
20	2	TS34	HARDENED SHEAR BUSHING
21	1	TS39	ROLLER CHAIN #60HE X 138(540 RPM-18T&15TSPROCKETS
*	1	TS360	ROLLER CHAIN, #60HE X 136 (540 RPM - 13T SPROCKET)
*	1	TS361	ROLLER CHAIN, #60HE X 140 (540 RPM - 20T SPROCKET)
*	1	TS313	ROLLER CHAIN, #60HE X 166 (1000 RPM - 15T SPROCKET)
*	1	TS362	ROLLER CHAIN, #60HE X 165 (1000 RPM - 13T SPROCKET)
*	1	TS363	ROLLER CHAIN, #60HE X 167 (1000 RPM - 16T SPROCKET)

**\*MEANS NOT SHOWN  
A/R MEANS AS REQUIRED**

# FIGURE 2 AUGER DRIVE

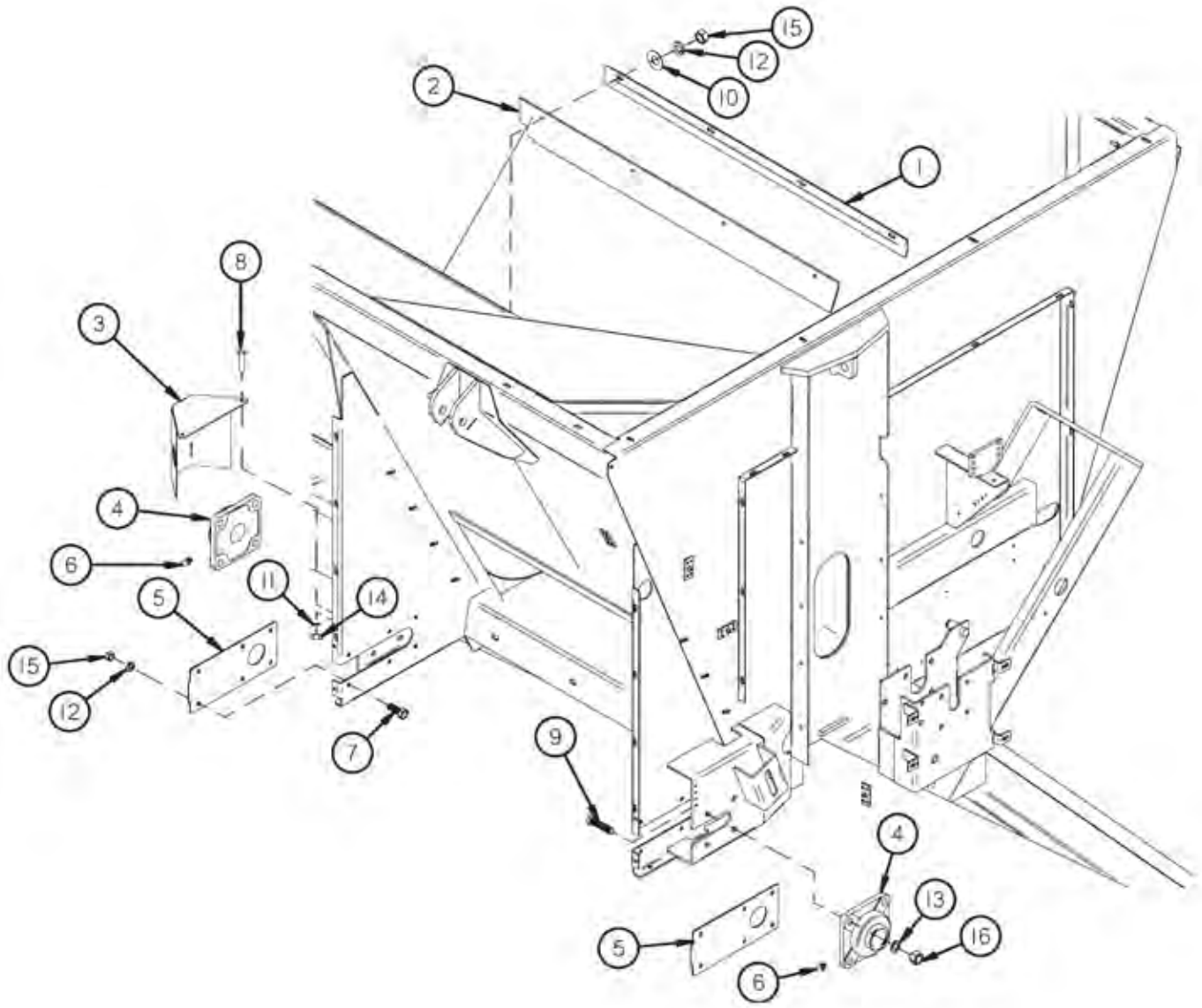


## FIGURE 2 AUGER DRIVE

<u>ITEM</u>	<u>QTY</u>	<u>PART#</u>	<u>DESCRIPTION</u>
22	1	TS40	LINK/CONNECTOR #60HE
23	1	TS41	ROLLER CHAIN, #100HE X 75
24	1	TS42	LINK/CONNECTOR #100HE
25	1	TS396	IDLER FRONT SPACER
26	1	TS397	IDLER REAR SPACER
27	2	G89	ZERK
28	2	BFR28	ZERK 1/8 NPT
29	1	RG51	ZERK 1/4
30	1	YPCT06005	COTTER PIN, 3/16 X 1-1/2
31	6	YBHH10036	BOLT HEX, 5/16 X 1-1/2 G8
32	1	YBHH12100	BOLT HEX, 3/8 X 2-1/4 G5
33	1	YBHH16175	BOLT HEX, 1/2 X 6-1/2 G5
34	8	YBHH20036	BOLT HEX, 5/8 X 2-1/2 G8
35	1	YBHH20025	BOLT HEX, 5/8 X 2 G5
36	1	YBHH20100	BOLT HEX, 5/8 X 6 G5
37	2	YBTE12025	TURNED EYE BOLT, 3/8 X 3
38	4	YWFL12005	WASHER FLAT, 3/8
39	2	YWFL16005	WASHER FLAT, 1/2
40	A/R	YWFL20005	WASHER FLAT, 5/8
41	1	YWLO12005	WASHER LOCK, 3/8
42	9	YWLO20005	WASHER LOCK, 5/8
43	3	YNHX12005	NUT HEX, 3/8
44	2	YNNY12005	NUT HEX NYLON LOCKNUT, 3/8
45	2	YNTL10005	NUT HEX TOP LOCK, 5/16
46	1	YNTL12005	NUT HEX TOP LOCK, 3/8
47	1	YNTJ16005	NUT HEX TOP LOCK, 1/2
48	1	YNTJ20005	NUT HEX TOP LOCK, 5/8

**A/R MEANS AS REQUIRED**

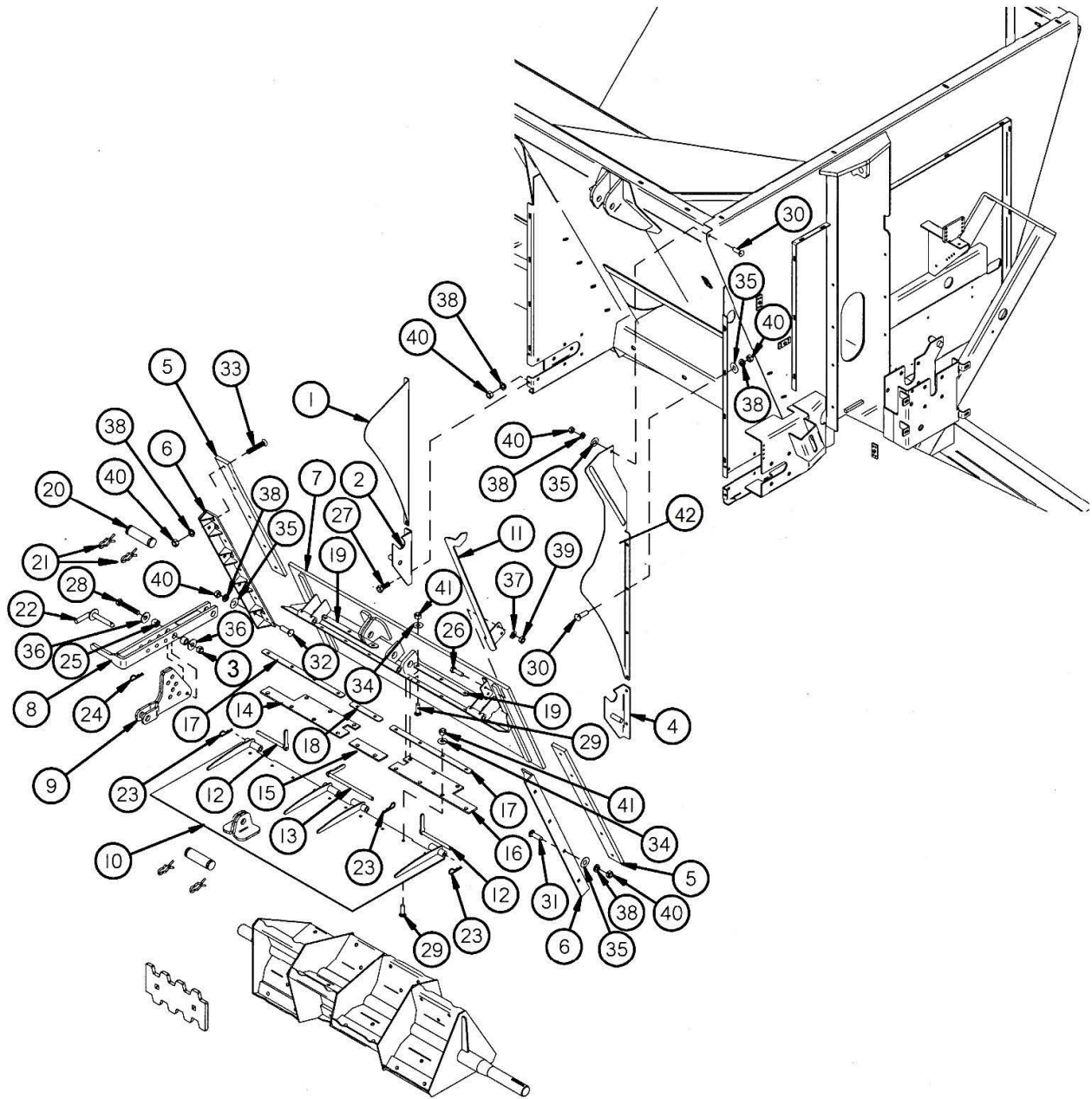
**FIGURE 3**  
**EXPELLER/DISCHARGE GATE/BEARINGS**



**FIGURE 3**  
**EXPELLER/DISCHARGE GATE/BEARINGS**

<b><u>ITEM</u></b>	<b><u>QTY</u></b>	<b><u>PART#</u></b>	<b><u>DESCRIPTION</u></b>
1	1	TS43	DOOR SEAL CLAMP
2	1	TS44	EXPELLER DOOR TOP SEAL
3	1	TS45	EXPELLER BEARING SHIELD
4	2	HGV41	EXPELLER BEARING
5	2	TS47	COVER PLATE
6	2	G89	ZERK
7	12	YBCR12010	BOLT CARRIAGE, 3/8 X 1 G5
8	2	YBHH08100	BOLT HEX, 1/4 X 3/4 G5
9	8	YBHH18010	BOLT HEX, 9/16 X 1-3/4 G5
10	4	YWFL12005	WASHER FLAT, 3/8 USS
11	2	YWLO08005	WASHER LOCK, 1/4
12	16	YWLO12005	WASHER LOCK, 3/8
13	8	YWLO18005	WASHER LOCK, 9/16
14	2	YNHX08005	NUT HEX, 1/4
15	16	YNHX12005	NUT HEX, 3/8
16	8	YNHX18005	NUT HEX, 9/16

# FIGURE 4 EXPELLER/DISCHARGE GATE/DOOR



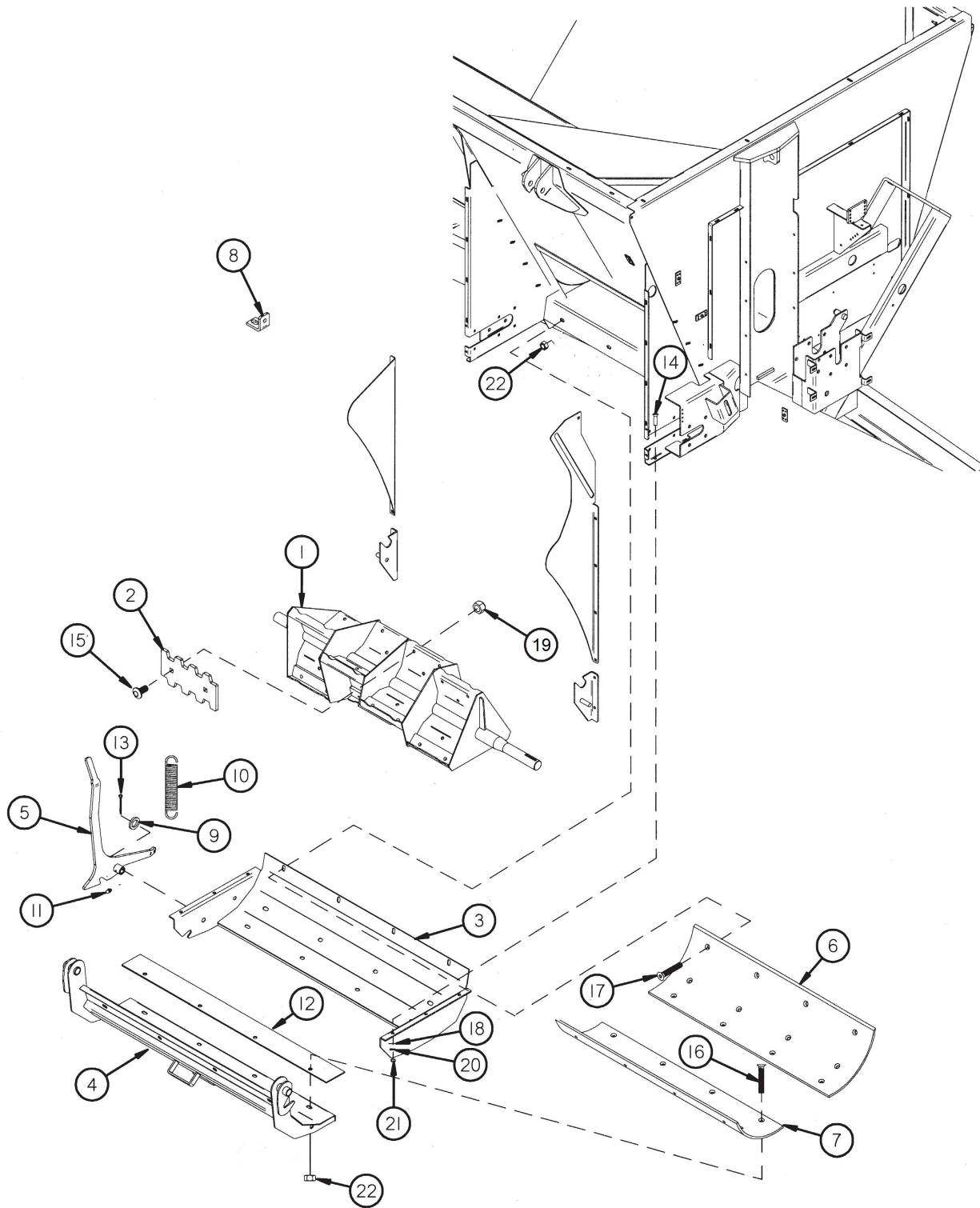
## FIGURE 4

### EXPPELLER/DISCHARGE GATE/DOOR

<u>ITEM</u>	<u>QTY</u>	<u>PART#</u>	<u>DESCRIPTION</u>
1	1	TS48	EXPPELLER PANEL EXTENSION LH
2	1	TS49	PAN HINGE BRACKET LEFT
3	1	YNL16005	NUT HEX, TOP LOCK, 1/2
*	1	TS327	EXPPELLER SPOUT RH
4	1	TS51	PAN HINGE BRACKET RIGHT
5	2	TS52	DOOR SLIDER POLY
6	2	TS53	EXPPELLER DOOR GUIDE
7	1	84592	EXPPELLER DOOR
8	1	TS55	DEFLECTOR ADJUSTMENT HANDLE
9	1	84598	DEFLECTOR ADJUSTMENT LINK
10	1	84594	ADJUSTABLE DEFLECTOR
11	1	TS58	DOOR INDICATOR
12	2	TS59	DEFLECTOR SIDE PIN
13	1	TS60	DEFLECTOR MID PIN
14	1	TS61	DEFLECTOR SEAL LH
15	1	TS62	DEFLECTOR SEAL MID
16	1	TS63	DEFLECTOR SEAL RH
17	2	TS64	SEAL STRAP LONG
18	1	TS65	SEAL STRAP MID
19	2	TS66	SEAL STRAP SHORT
20	2	T143	CYLINDER PIN
21	4	T144	CLIP PIN
22	1	TS69	CASTER LOCKING PIN
23	3	YPHR02005	HAIR PIN
24	1	WM378	HAIR PIN W/ LANYARD
25	2	TS307	HANDLE PIVOT
26	2	YBHH10105	BOLT HEX, 5/16 X 3/4 G5
27	4	YBHH12010	BOLT HEX, 3/8 X 1 G5
28	1	YBHH16105	BOLT HEX, 1/2 X 3 G5
29	16	YBCR10010	BOLT CARRIAGE, 5/16 X 1 G5
30	9	YBCR12010	BOLT CARRIAGE, 3/8 X 1 G5
31	7	YBCR12020	BOLT CARRIAGE, 3/8 X 1-1/4 G5
32	1	YBCR12015	BOLT CARRIAGE, 3/8 X 1-1/2 G5
33	10	YSFS12005	SCREW FLAT HEAD SOCKET CAP, 3/8 X 1-1/4
34	16	YWFL10005	WASHER FLAT, 5/16
35	17	YWFL12005	WASHER FLAT, 3/8
36	2	YWFL16005	WASHER FLAT, 1/2
37	2	YWLO10005	WASHER LOCK, 5/16
38	31	YWLO12005	WASHER LOCK, 3/8
39	2	YNHX10005	NUT HEX, 5/16
40	31	YNHX12005	NUT HEX, 3/8
41	16	YNL10005	NUT HEX, TOP LOCK, 5/16
42	1	TS50	EXPPELLER PANEL EXTENSION, RH

\*MEANS NOT SHOWN

# **FIGURE 5** **EXPELLER/DISCHARGE GATE/PAN**



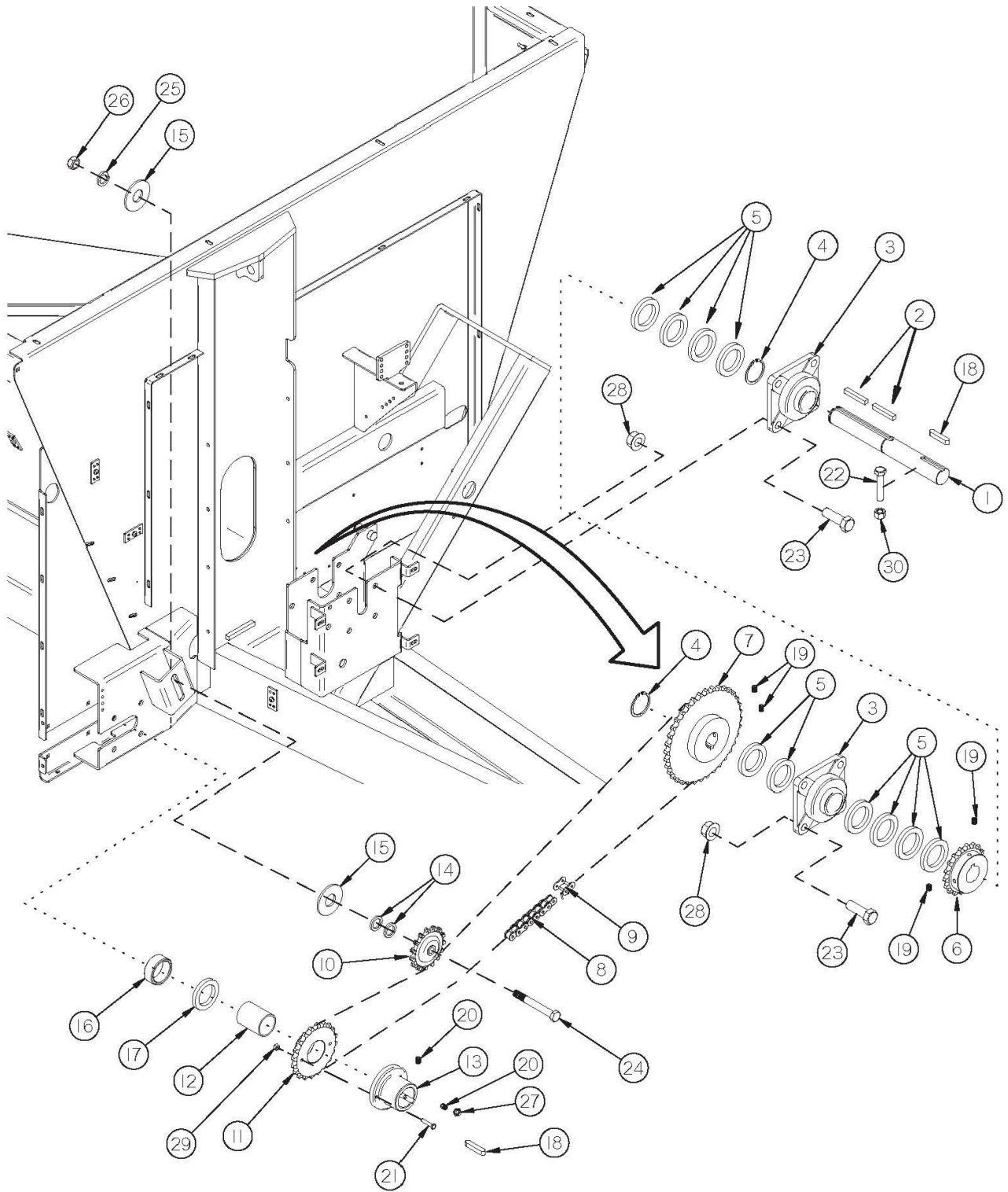


## FIGURE 5

### EXPELLER/DISCHARGE GATE/PAN

<u>ITEM</u>	<u>QTY</u>	<u>PART#</u>	<u>DESCRIPTION</u>
1	1	69616	EXPELLER
2	12	TS68	EXPELLER PADDLE
3	1	TS72	SWING AWAY PAN FRAME
4	1	TS73	SWING AWAY PAN
5	1	TS74	PAN LATCH HANDLE
6	1	TS75	EXPELLER BACK POLY
7	1	TS76	EXPELLER PAN POLY
8	1	56N146	SHIELD ANGLE
9	3	T73	SPACER
10	1	K103	SPRING
11	1	G89	GREASE ZERK
12	1	TS18	PAN RUBBER SEAL
13	1	YPCT06010	COTTER PIN, 3/16 X 1-1/4
14	6	YBCR10010	BOLT CARRIAGE, 5/16 X 1 G5
15	24	YBCR16019	BOLT CARRIAGE, 1/2 X 1-3/4 G8
16	20	YSFS16010	BOLT, FLAT SOK, 1/2 X 1-1/2
17	4	YSFS16020	BOLT, FLAT SOK, 1/2 X 1-3/4
18	6	YWFL10005	WASHER FLAT, 5/16
19	24	YNL16006	NUT HEX, TOP LOCK 1/2 G9
20	6	YWLO10005	WASHER LOCK, 5/16
21	6	YNHX10005	NUT HEX, 5/16
22	24	YNFG16003	NUT FLANGE, 1/2 GF

**FIGURE 6**  
**INPUT SHAFT/EXPELLER DRIVE**



## FIGURE 6

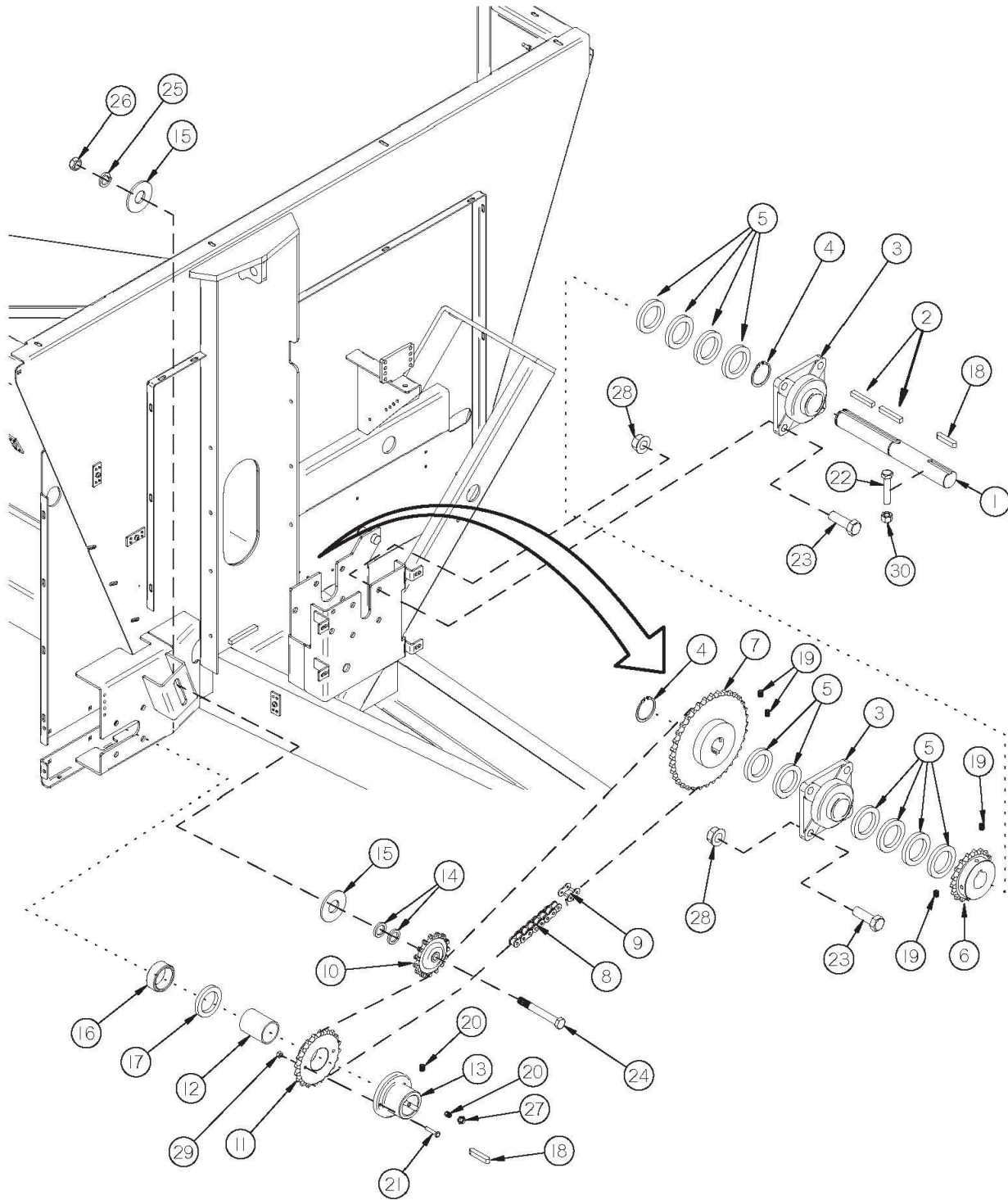
### INPUT SHAFT/EXPELLER DRIVE

<u>ITEM</u>	<u>QTY</u>	<u>PART#</u>	<u>DESCRIPTION</u>
1	1	57392	INPUT SHAFT
2	2	68856	SQURE KEY
3	2	12V99	BEARING
4	2	12V62	SNAP RING
5	A/R	16SV374	SPACER
*	A/R	16SV375	SPACER
*	A/R	16SV439	SPACER
*	1	33SV29	SPACER
6	1	TS35	SPROCKET/60B18 (STANDARD - 540 RPM)
*	1	TS36	SPROCKET/ASSY 13T (OPTIONAL - 540 RPM & 1000 RPM)
*	1	TS37	SPROCKET/60B15T (OPT. - 540 RPM) (STANDARD - 1000 RPM)
*	1	TS38	SPROCKET/60B20 (OPTIONAL - 540 RPM)
*	1	TS364	SPROCKET/60B16 (OPTIONAL - 1000 RPM)
7	1	TS79	SPROCKET/60B36 (STANDARD - 540 RPM)
*	1	TS80	SPROCKET/EXP DRIVE ASSY 30T (OPTIONAL - 540 RPM)
*	1	TS81	SPROCKET/60X27T (OPTIONAL - 540 RPM)
*	1	TS38	SPROCKET/60B20 (OPTIONAL - 1000 RPM)
*	1	TS318	SPROCKET/ASSY 16T (OPTIONAL - 1000 RPM)
*	1	TS365	SPROCKET/ASSY 15T (OPTIONAL - 1000 RPM)
*	1	TS366	SPROCKET/ASSY 13T (OPTIONAL - 1000 RPM)
8	1	TS82	ROLLER CHAIN, #60HE X 100 (540 RPM - 36T SPROCKET)
*	1	TS367	ROLLER CHAIN, #60HE X 97 (540 RPM - 30T SPROCKET)
*	1	TS368	ROLLER CHAIN, #60HE X 96 (540 RPM - 27T SPROCKET)
*	1	TS316	ROLLER CHAIN, #60HE X 92 (1000 RPM - 20T SPROCKET)
*	1	TS369	ROLLER CHAIN, #60HE X 90 (1000 RPM - 16T SPROCKET)
*	1	TS370	ROLLER CHAIN, #60HE X 89 (1000 RPM - 15T SPROCKET)
*	1	TS371	ROLLER CHAIN, #60HE X 88 (1000 RPM - 13T SPROCKET)
9	1	TS40	LINK/CONNECTOR #60HE
10	1	TS29	SPROCKET/IDLER ASSY.

**\*MEANS NOT SHOWN**

**A/R MEANS AS REQUIRED**

# **FIGURE 6** **INPUT SHAFT/EXPELLER DRIVE**



## FIGURE 6

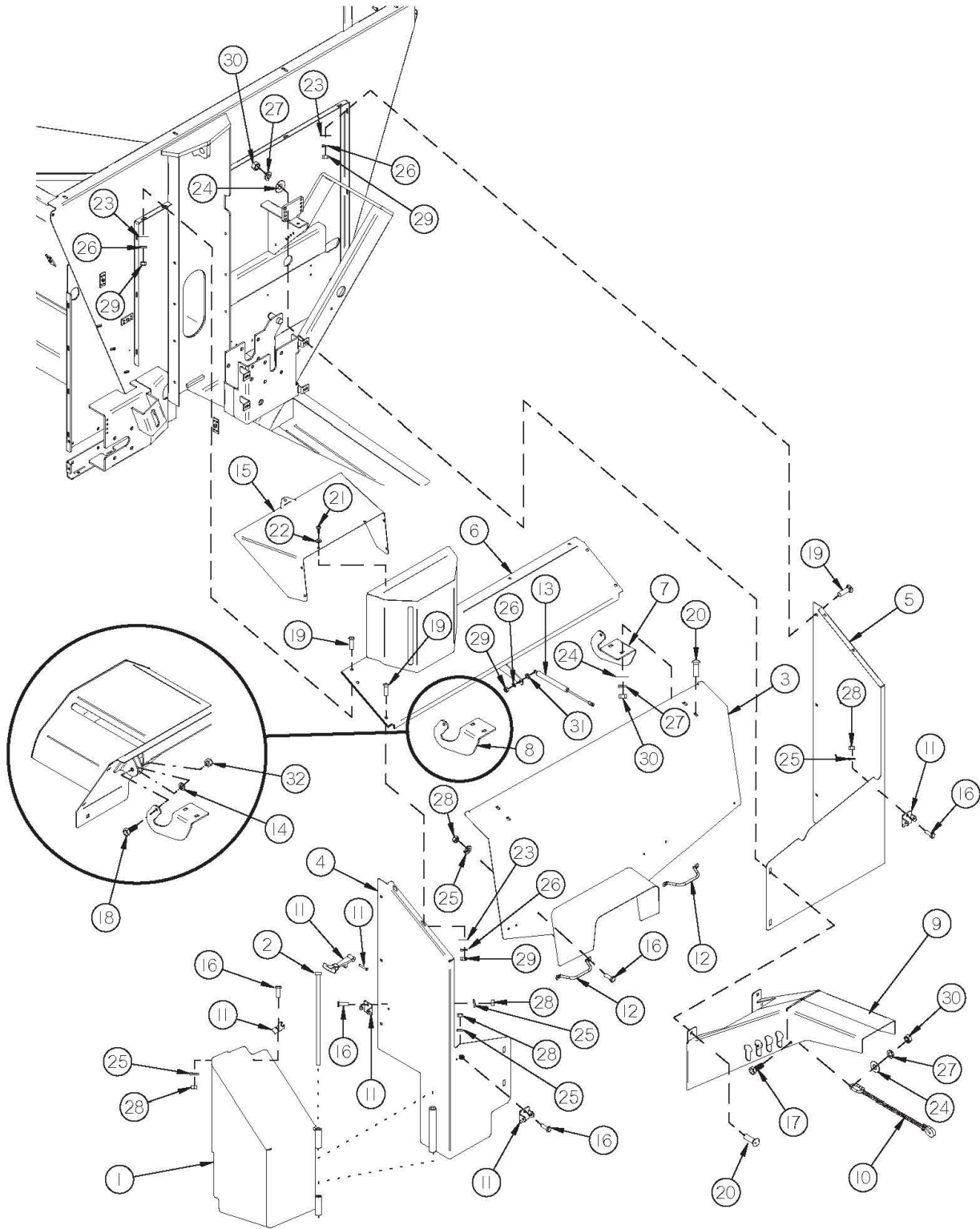
### INPUT SHAFT/EXPELLER DRIVE

<u>ITEM</u>	<u>QTY</u>	<u>PART#</u>	<u>DESCRIPTION</u>
11	1	TS84	SPROCKET/ASSY 20T
12	1	TS85	BRONZE BUSHING
13	1	TS86	EXPELLER SOLID SHEAR HUB
14	A/R	T73	SPACER
15	2	F129	TIGHTENER WASHER
16	1	TS329	EXPELLER DRIVE SPACER
17	A/R	S36	SHIM
*	A/R	S409	SHIM
18	2	S138	KEY
19	4	YSKP10010	SCREW SOCKET HEAD, 5/16 X 3/8
20	2	YSKP12010	SCREW SOCKET HEAD, 3/8 X 1/2
21	6	YBHH08027	BOLT, 1/4 X 1-1/2 G8
22	1	YBHH16080	BOLT, 1/2 X 2 - 1/2 G5
23	8	YBHH18005	BOLT, 9/16 X 1-1/2 G5
24	1	YBHH20055	BOLT, 5/8 X 3-1/2 G5
25	1	YWLO20005	WASHER LOCK, 5/8
26	1	YNHX20005	NUT HEX, 5/8
27	1	YNJM12005	NUT HEX, JAM, 3/8
28	8	YNSF18005	NUT FLANGE, 9/16
29	2	YNTL08005	NUT HEX, TOP LOCK, 1/4
30	1	YNTL16005	NUT HEX, TOP LOCK, 1/2 (540 RPM PTO)

**\*MEANS NOT SHOWN**

**A/R MEANS AS REQUIRED**

# FIGURE 7 GUARDS/SHIELDS

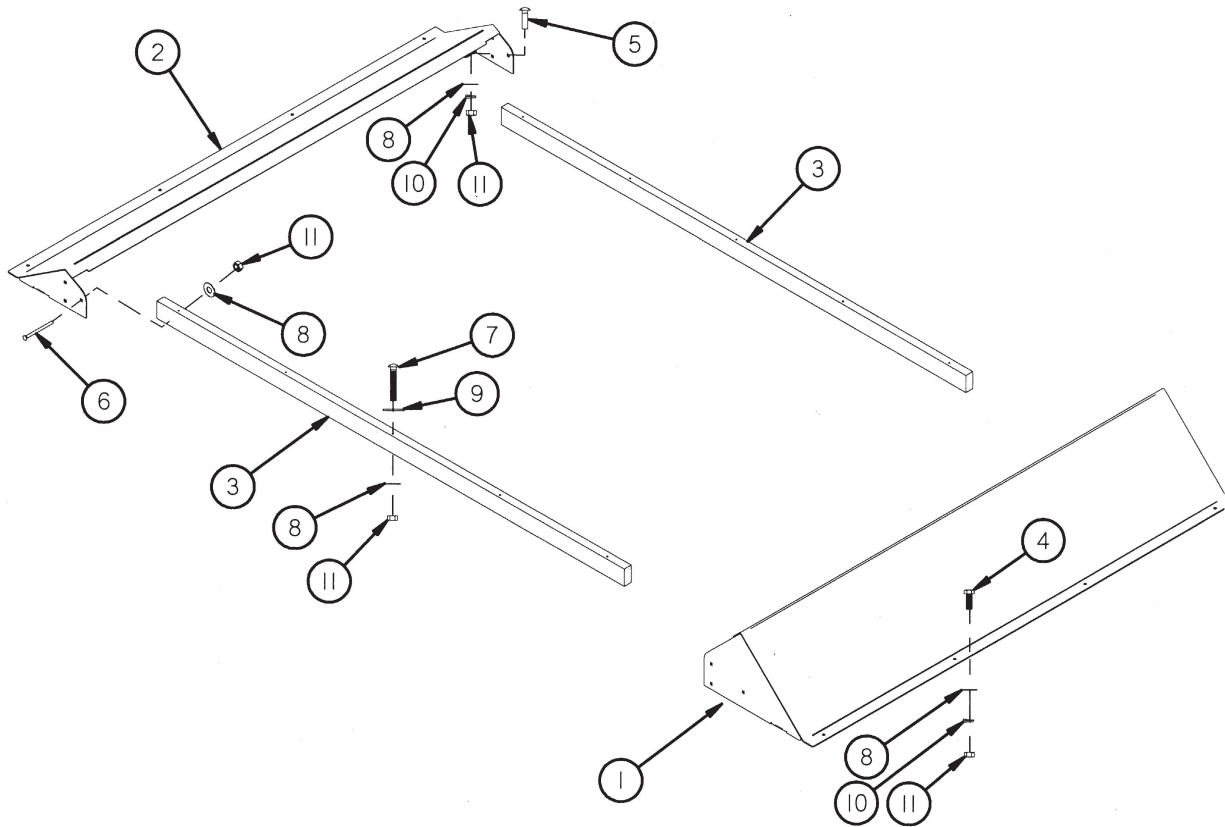


## FIGURE 7

### GUARDS/SHIELDS

<u>ITEM</u>	<u>QTY</u>	<u>PART#</u>	<u>DESCRIPTION</u>
1	1	TS87	EXPPELLER DRIVE SHIELD
2	1	TS88	EXPPELLER SHIELD HINGE
3	1	TS89	FRONT SHIELD DOOR
4	1	TS90	FRONT SHIELD RIGHT SIDE
5	1	TS91	FRONT SHIELD LEFT SIDE
6	1	TS92	FRONT SHIELD TOP
7	1	TS93	FRONT SHIELD HINGE RH
8	1	TS94	FRONT SHIELD HINGE LH
9	1	TS95	HOSE HOLDER
10	1	TS130	CHAIN PTO HOLDER
11	12	8736	COMPLETE LATCH
12	2	TS96	SHIELD HANDLE
13	1	S97	GAS SPRING
14	4	TS331	SPACER
15	1	TS13	FILLER SHIELD
16	8	YBHH08015	BOLT HEX, 1/4 X 1/2 G5
17	1	YBHH12010	BOLT HEX, 3/8 X 1 G5
18	2	YBHH12035	BOLT HEX, 3/8 X 1-1/4 G5
19	13	YBCR10030	BOLT CARRIAGE, 5/16 X 3/4 G5
20	8	YBCR12010	BOLT CARRIAGE, 3/8 X 1 G5
21	7	YSSD08005	SELF DRILLING SCREW, 1/4 X 1
22	7	YWFL06010	WASHER FLAT, 3/16
23	13	YWFL10005	WASHER FLAT, 5/16
24	9	YWFL12005	WASHER FLAT, 3/8
25	8	YWLO08005	WASHER LOCK, 1/4
26	13	YWLO10005	WASHER LOCK, 5/16
27	9	YWLO12005	WASHER LOCK, 3/8
28	8	YNHX08005	NUT HEX, 1/4
29	13	YNHX10005	NUT HEX, 5/16
30	9	YNHX12005	NUT HEX, 3/8
31	2	YNJM10005	NUT HEX, JAM, 5/16
32	2	YNTL12005	NUT HEX, TOP LOCK, 3/8

# **FIGURE 8** **SPLASH GUARDS/RAILS**





**FIGURE 8**  
**SPLASH GUARDS/RAILS**

<b><u>ITEM</u></b>	<b><u>QTY</u></b>	<b><u>PART#</u></b>	<b><u>DESCRIPTION</u></b>
1	1	TS99	SPLASH GUARD
2	1	TS199	BACK SPLASH GUARD
3	2	TS100	WOOD RAIL
4	8	YBHH12010	BOLT HEX, 3/8 X 1 G5
5	4	YBCR12010	BOLT CARRIAGE, 3/8 X 1 G5
6	12	YBCR12080	BOLT CARRIAGE, 3/8 X 3-1/4 G5
7	10	YBCR12123	BOLT CARRIAGE, 3/8 X 6-1/2 G5
8	34	YWFL12005	WASHER FLAT, 3/8
9	10	YWFL16005	WASHER FLAT, 1/2
10	12	YWLO12005	WASHER LOCK, 3/8
11	34	YNHX12005	NUT HEX, 3/8

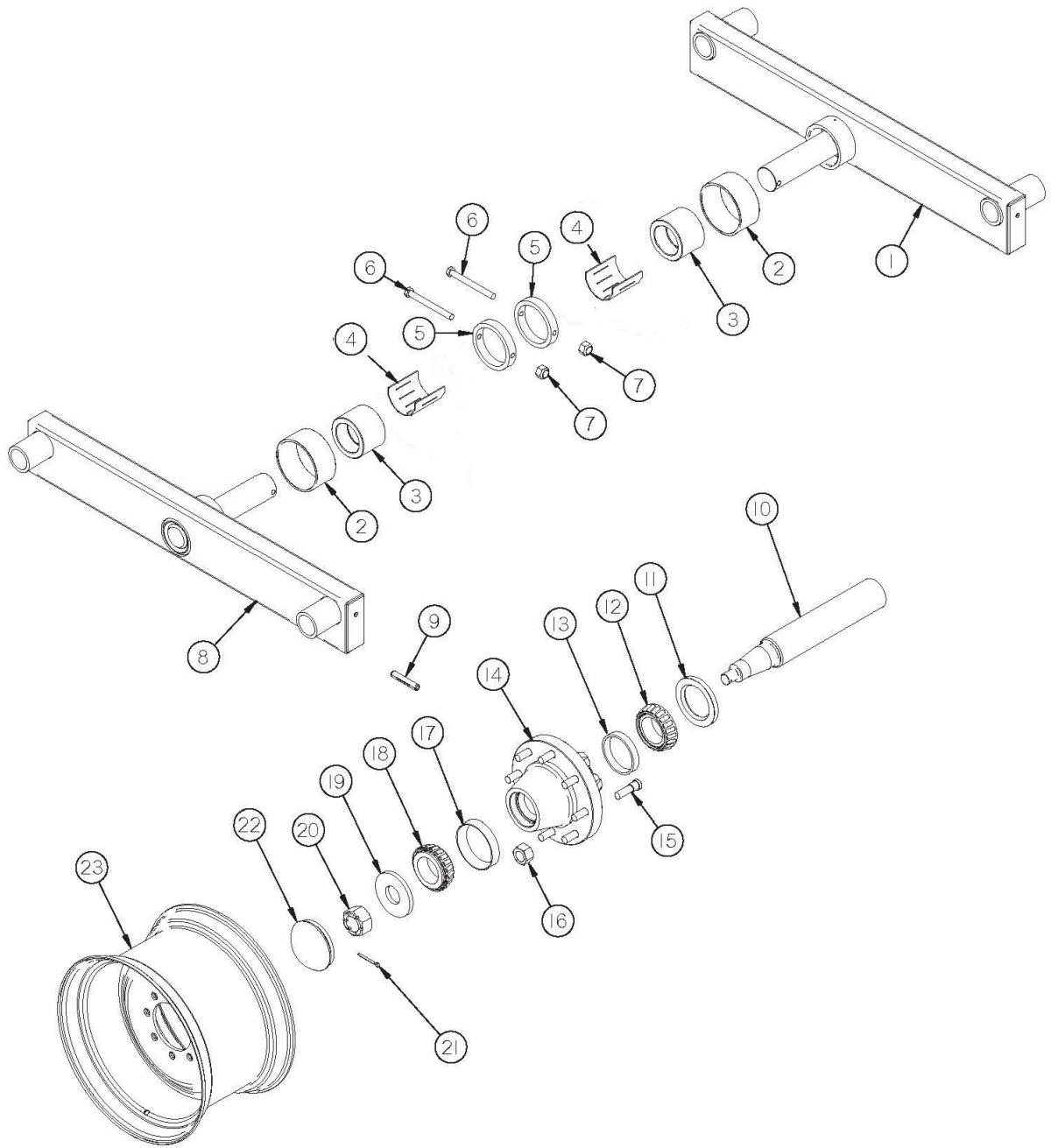


## FIGURE 9 HYDRAULICS

<u>ITEM</u>	<u>QTY</u>	<u>PART#</u>	<u>DESCRIPTION</u>
1	1	TS101	CYLINDER
*	1	72197	KIT, O-RING SEALS
2	4	YWLO12005	WASHER LOCK, 3/8
3	2	TS103	CYLINDER MOUNT CLIP
4	1	LW55	CYLINDER PIN
5	1	YPHR02010	HAIR PIN
6	1	TS105	CYLINDER
*	1	72230	O-RING SEALS KIT
7	1	TS104	CYLINDER
*	1	72207	KIT, O-RING SEALS
8	4	T143	CYLINDER PIN
9	2	85664	HYDRAULIC HOSE, 6, 94IN
10	1	58127	FITTING 6 C6X-S
11	2	85430	HYDRAULIC HOSE, 6, 125IN
12	1	TS111	HYD. HOSE 1/2 X 162 -8 JIC & 1/2 MP
13	1	TS112	HYD. HOSE 1/2 X 56 -8 JIC & -8 JIC
14	1	TS113	HYD. HOSE 1/2 X 120 -8 JIC & 1/2 MP
15	1	TS114	HYD. HOSE 1/2 X 38 -8 JIC & -8 JIC
16	1	TS115	HYD. HOSE 1/2 X 49 -8 JIC & -8 JIC
17	2	89070	HYDRAULIC TUBE, 1/2 X 120
18	3	CHM206	FITTING, 90, 6JIC X 8ORB
19	4	YNHX12005	HEX NUT, 3/8
20	1	TS137	-8 MALE O-RING TO -8 MALE JIC
21	3	TFM83	-8 FEMALE JIC SWIVEL TO -8 MALE JIC 90°
22	1	CHM242	TEE SWIVEL RUN
23	1	73993	FITTING STRAIGHT, 6JIC, 6NPTF, STL
24	4	DWM205	QUICK COUPLER MALE
25	12	56563	CLAMP TOP PLATE
26	6	TS118	LINE CLAMP BLOCK
27	3	TFM91	DOUBLE STEEL LINE CLAMP
28	6	56564	CLAMP TOP PLATE
29	6	56596	CLAMP CUSHION (SET OF 2)
30	1	86383	HYDRAULIC HOSE, 4, 78 IN
31	1	58142	FITTING, 6 XHX7-S .031 ORIFICE
32	2	YPCT05010	COTTER PIN, 5/32 X 1-1/2
33	7	YPCT06005	COTTER PIN, 3/16 X 1-1/2
34	6	56569	BOLT HEX, 5/16 X 1-3/4 G5
35	4	YBHH12030	BOLT HEX, 3/8 X 1-1/4 G5
36	12	56568	BOLT HEX, 5/16 X 1-3/8 G5
37	7	CHM278	CLAMP HALF 3/8 HOSE (SET OF 2)
38	2	CHM258	UNION (6 HTX-S)
39	2	89076	HYDRAULIC TUBE, 1/2 X 77
40	2	GM17	ADAPTER (8 HTX)

**\*MEANS NOT SHOWN**

# **FIGURE 10** **5220 TANDEM AXLES**



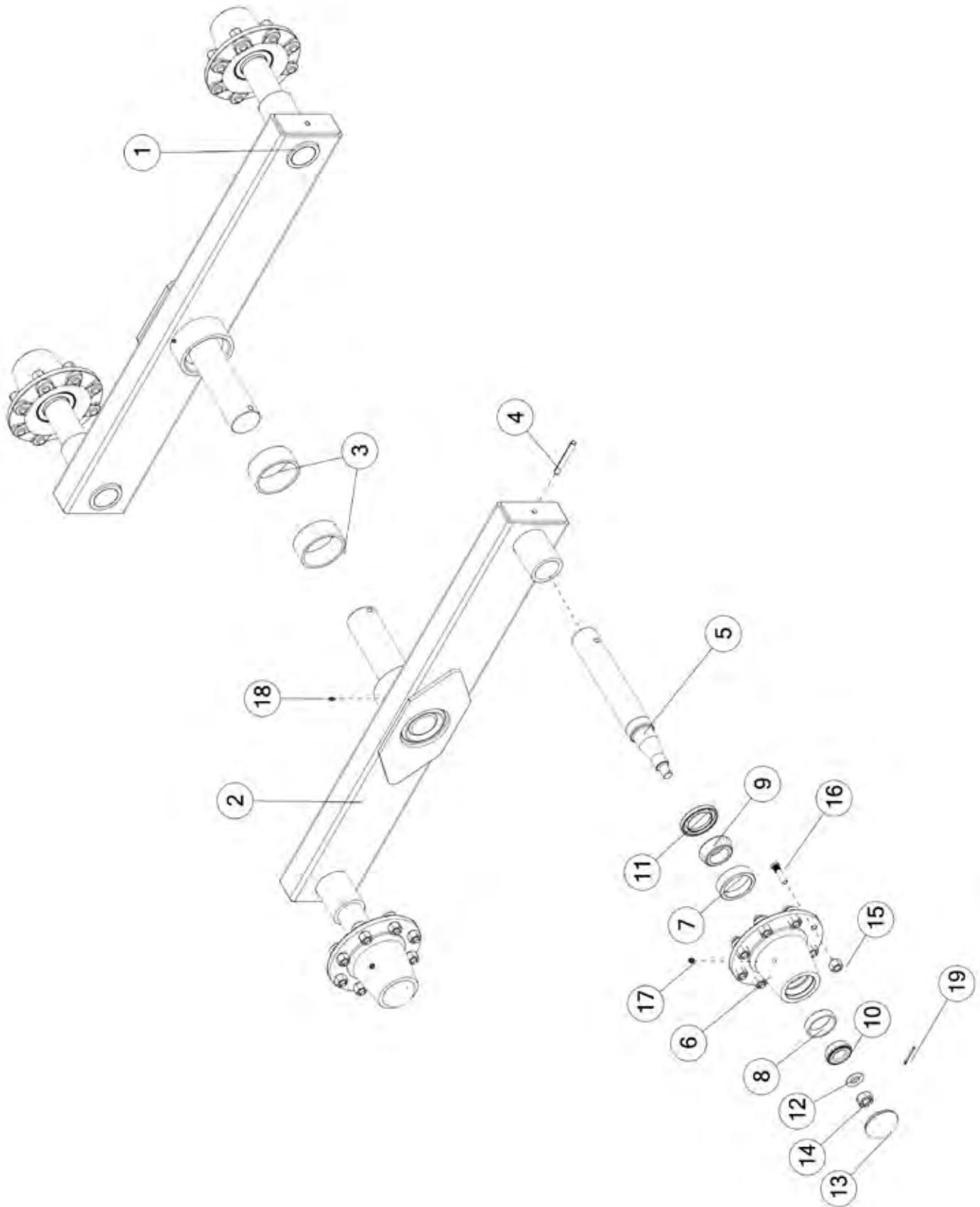
## FIGURE 10

### 5220 TANDEM AXLES

<u>ITEM</u>	<u>QTY</u>	<u>PART#</u>	<u>DESCRIPTION</u>
1	1	TS314	TANDEM MID LH
*	1	TS132	TANDEM BEAM LH
*	1	TS131	LEFT TANDEM DROP
2	2	70162	NYLATRON BUSHING
3	4	70150	NYLATRON BUSHING
4	2	57806	SPACER
5	2	16SV78	COLLAR FOR AXLE
6	2	YBFB16500	BOLT FLANGE, 1/2 X 5 G5
7	2	YNFG16003	NUT FLANGE, 1/2
8	1	TS315	TANDEM MID RH
*	1	TS134	TANDEM BEAM RH
*	1	TS133	RIGHT TANDEM DROP
9	4	YPEX16020	EXPANSION PIN, 1/2 X 4
10	4	16SV203	SPINDLE
11	4	B90	SEAL
12	4	53461	INNER BEARING
13	4	53454	INNER RACE
14	4	53457	HUB W/RACES
15	32	YBSD20010	STUD BOLT, 5/8 X 2-1/2
16	32	YNWL20005	WHEEL NUT, 5/8
17	4	53455	OUTER RACE
18	4	53462	OUTER BEARING
19	4	YWFL28005	WASHER
20	4	YNSL28005	NUT HEX, SLOTTED, 7/8
21	4	YPCT05020	COTTER PIN, 5/32 X 1-3/4
22	4	B2	HUB CAP
23	4	23N179	WHEEL 8.25 X 22.5
*	4	12V36	WHEEL 14 X 16.1
*	4	16SV89	WHEEL 13.5 X 22.5
*	4	53463	COMPLETE HUB ASSY.

**\*MEANS NOT SHOWN**

**FIGURE 11**  
**TSSA OPTIONAL TANDEM**

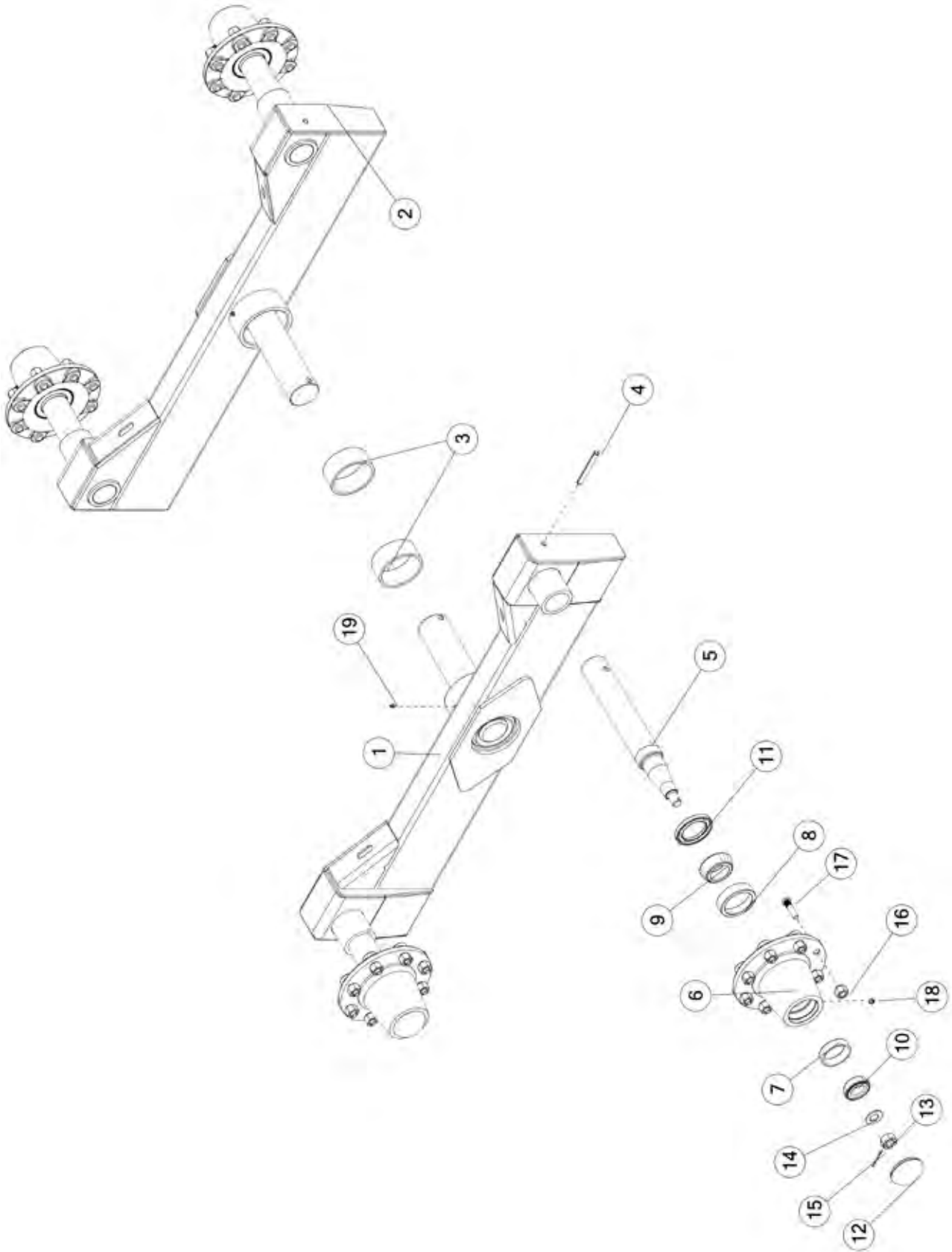


# FIGURE 11

## TSSA OPTIONAL TANDEM

<u>ITEM</u>	<u>QTY</u>	<u>PART#</u>	<u>DESCRIPTION</u>
1	1	TS132	STRAIGHT TANDEM LH
2	1	TS134	STRAIGHT TANDEM RH
3	2	70162	BUSHING, NYLATRON,4.50 OD X 4.01 ID X 1.88
4	4	YPEX16020	EXPANSION PIN, 1/2 X 4
5	4	16SV203	SPINDLE
6	4	53403	821 HUB WITH KOYO RACES
7	4	B91A	INNER RACE (KOYO 3720)
8	4	B94A	OUTER RACE (KOYO 2720)
9	4	53461	INNER BEARING (TIMKEN 3780)
10	4	53462	OUTER BEARING (TIMKEN 2790)
11	4	B90	GREASE SEAL
12	4	YWFL28010	WASHER FLAT, SAE 7/8
13	4	B2	HUB CAP
14	4	YNSL28005	NUT SLOT, 7/8-14 NA G2 NF
15	32	YNWL20005	NUT WHEEL, 5/8-18 NA G5 ZC
16	32	YBSD20010	STUD BOLT, 5/8-18 UNF X 2-1/2
17	2	BFR28	GREASE ZERK, 1/8 NPT
18	2	G89	STRAIGHT ZERK, 1/4-28
19	4	YPCT05020	COTTER PIN, 5/32 X 1-3/4

**FIGURE 12**  
**TSDA OPTIONAL TANDEM**



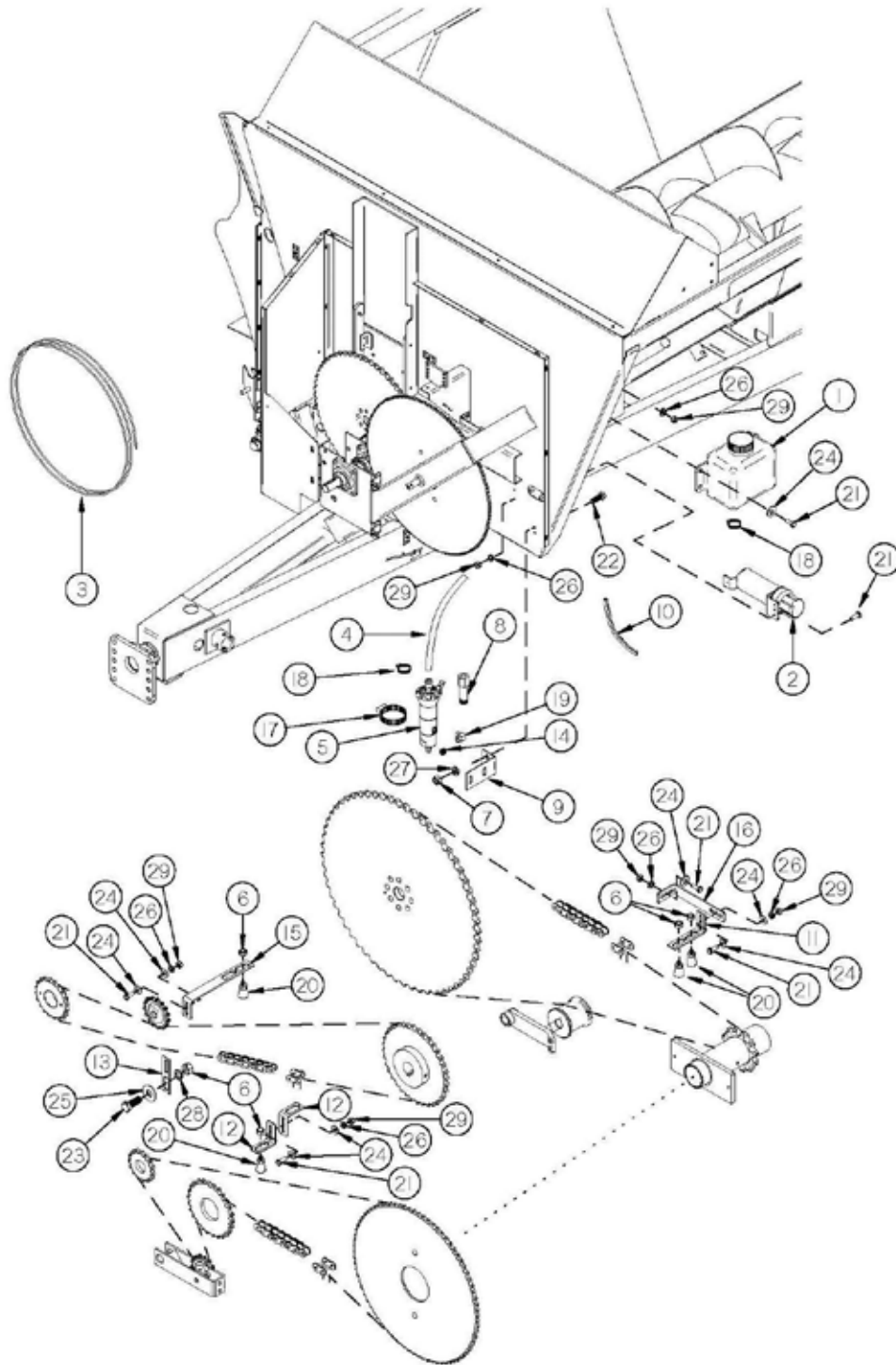


## FIGURE 12

### TSDA OPTIONAL TANDEM

<u>ITEM</u>	<u>QTY</u>	<u>PART#</u>	<u>DESCRIPTION</u>
1	1	TS131	DROP TANDEM LH
2	1	TS133	DROP TANDEM RH
3	2	70162	BUSHING, NYLATRON,4.50 OD X 4.01 ID X 1.88
4	4	YPEX16020	EXPANSION PIN, 1/2 X 4
5	4	16SV203	SPINDLE
6	4	53403	821 HUB WITH KOYO RACES
7	4	B94A	OUTER RACE (KOYO 2720)
8	4	B91A	INNER RACE (KOYO 3720)
9	4	53461	INNER BEARING (TIMKEN 3780)
10	4	53462	OUTER BEARING (TIMKEN 2790)
11	4	B90	GREASE SEAL
12	4	B2	HUB CAP
13	4	YNSL28005	NUT SLOT, 7/8-14 NA G2 NF
14	4	YWFL28010	WASHER FLAT, SAE 7/8
15	4	YPCT05020	COTTER PIN, 5/32 X 1-3/4
16	32	YNWL20005	NUT WHEEL, 5/8-18 NA G5 ZC
17	32	YBSD20010	STUD BOLT, 5/8-18 UNF X 2-1/2
18	4	BFR28	GREASE ZERK, 1/8 NPT
19	2	G89	STRAIGHT ZERK, 1/4 -28

# FIGURE 13 OILER KIT

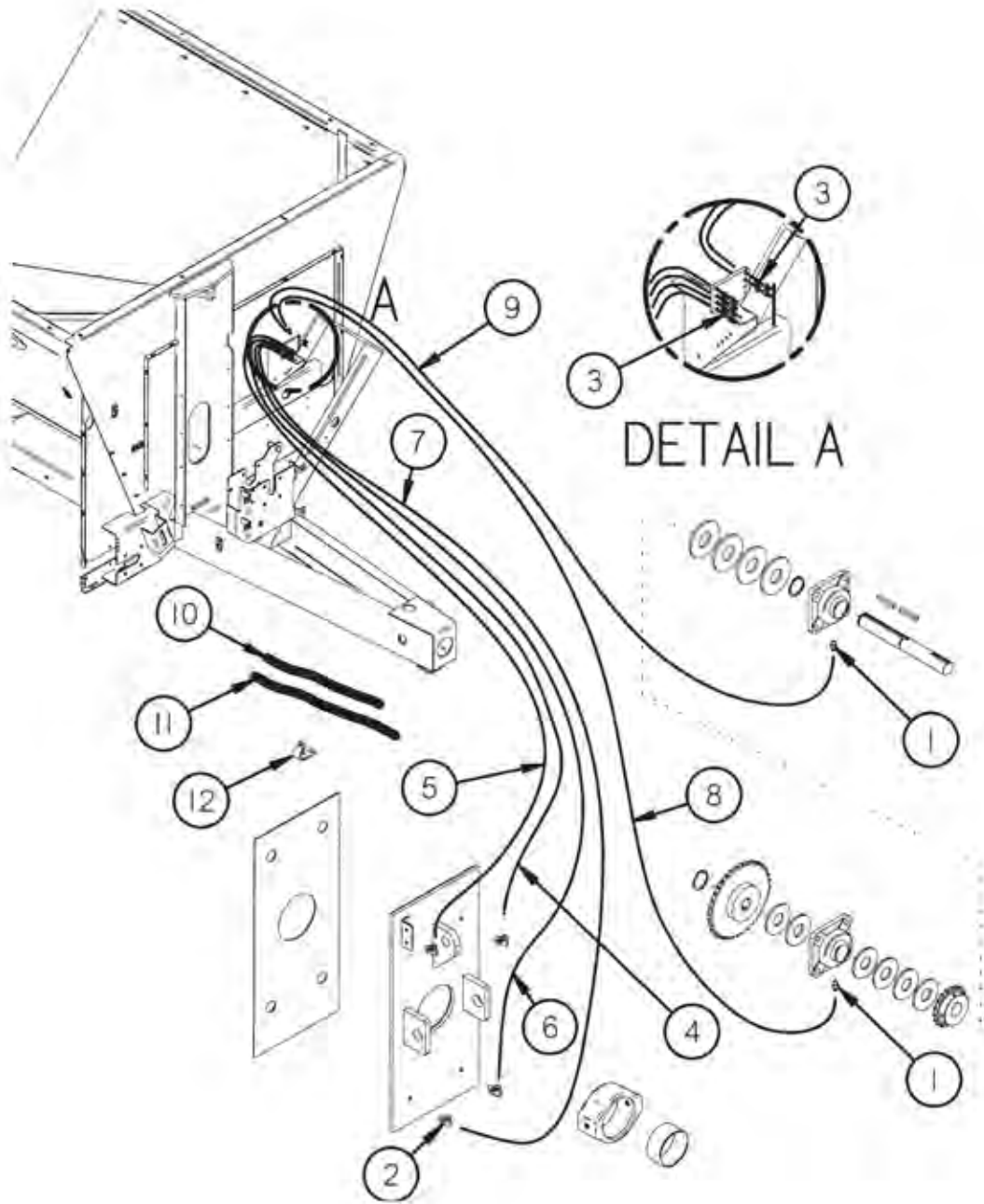


## FIGURE 13 OILER KIT

<u>ITEM</u>	<u>QTY</u>	<u>PART#</u>	<u>DESCRIPTION</u>
1	1	HGV63	RESERVOIR
2	1	S522	MANUAL HOLDER
3	1	HGV71	OIL TUBE
4	1	HGV66	FILLER HOSE
5	1	HGV82	PUMP
6	5	YNHX16005	NUT HEX, 1/2
7	2	YNHX12005	NUT HEX, 3/8
8	4	HGV84	MANIFOLD ASSEMBLY
9	1	HGV68	PUMP MOUNT BRACKET
10	1	HGV77	EDGING
11	2	HGV69	BRUSH BRACKET LONG OILER
12	2	TS98	BRUSH BRACKET SINGLE
13	1	HGV70	BRACKET MOUNT
14	1	TS198	ORIFICE .015
15	1	TS322	BRACKET
16	1	TS196	OILER HANGER
*	1	HGV62	COMPLETE OILER KIT
17	1	HGV74	HOSE CLAMP
18	2	HGV75	HOSE CLAMP
19	1	HGV65	ELBOW
20	4	HGV67	BRUSH
21	11	YBHH08100	BOLT, 1/4 X 3/4 G5
22	2	YBHH12135	BOLT, 3/8 X 3/4 G5
23	1	YBHH16045	BOLT, 1/2 X 1-1/4 G5
24	11	YWFL08005	WASHER FLAT, 1/4
25	1	YWFL16005	WASHER FLAT, 1/2
26	11	YWLO08005	WASHER LOCK, 1/4
27	2	YWLO12005	WASHER LOCK, 3/8
28	1	YWLO16005	WASHER LOCK, 1/2
29	11	YNHX08005	NUT HEX, 1/4

**\*MEANS NOT SHOWN**

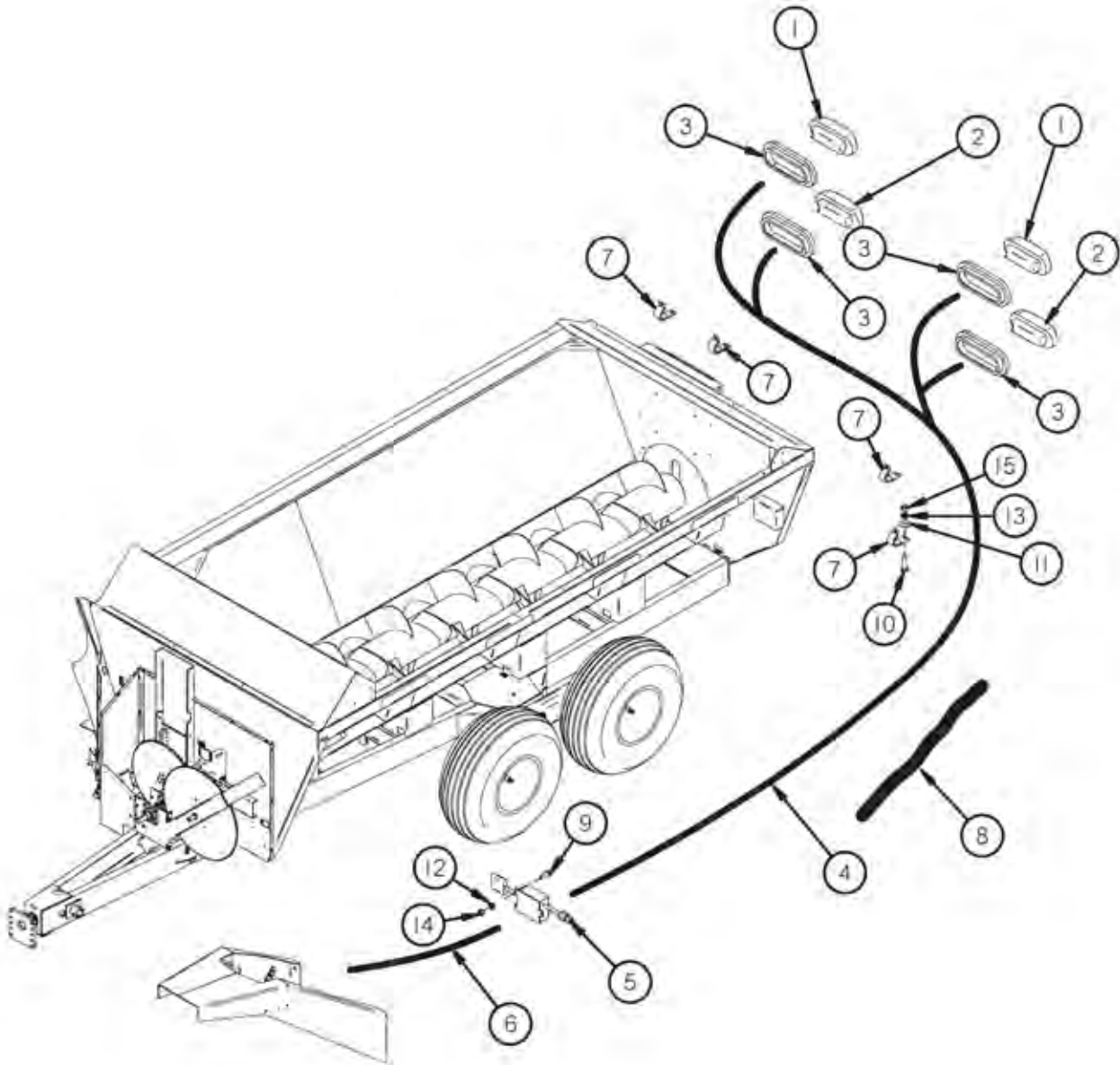
**FIGURE 14**  
**FRONT GREASE LINES**



**FIGURE 14**  
**SFRONT GREASE LINES**

<b><u>ITEM</u></b>	<b><u>QTY</u></b>	<b><u>PART#</u></b>	<b><u>DESCRIPTION</u></b>
1	2	TS323	PIPE ADAPTER
2	4	GM30	GREASE LINE ADAPTER
3	6	YNJM04005	JAM NUT, 1/8 A
4	1	TS119	GREASE LINE - 23
5	1	TS120	GREASE LINE - 29.5
6	1	TS121	GREASE LINE - 38.5
7	1	TS122	GREASE LINE - 45.5
8	1	TS123	GREASE LINE - 60
9	1	TS124	GREASE LINE - 63.75
10	1	TS246	SPLIT LOOM 3/4 X 18
11	1	TS305	SPLIT LOOM 3/4 X 24
12	1	HGV162	RUBBER WIRE HOLDER

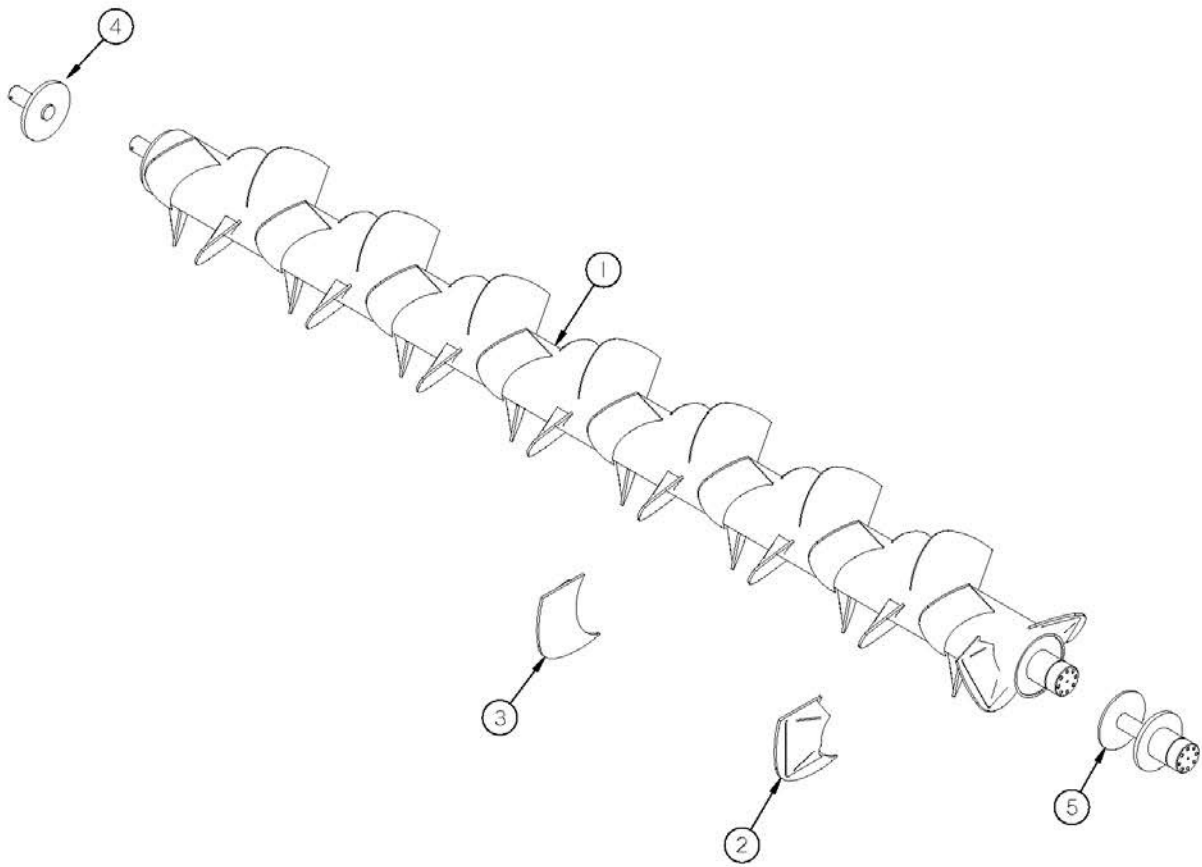
**FIGURE 15**  
**LIGHTING**



## FIGURE 15 LIGHTING

<u>ITEM</u>	<u>QTY</u>	<u>PART#</u>	<u>DESCRIPTION</u>
1	2	S309	YELLOW HAZARD LIGHT
2	2	S310	RED TAIL LIGHT
3	4	S308	RUBBER LIGHT MOUNT
4	1	56N155	TAIL LIGHT LOOM
5	1	69908	MODULE
6	1	TS317	HARNESS
7	4	HGV162	RUBBER WIRE HOLDER
8	1	TS129	SPIRAL WRAP, 30
9	3	YSPP64010	PHILLIPS HEAD MACHINE SCREW
10	4	YBHH10105	BOLT HEX, 5/16 X 3/4 G5
11	4	YWFL10005	WASHER FLAT, 5/16
12	3	YWLO08005	WASHER LOCK, 1/4
13	4	YWLO10005	WASHER LOCK, 5/16
14	3	YNHX64005	NUT HEX, #10-32
15	4	YNHX10005	NUT HEX, 5/16

**FIGURE 16**  
**AUGER**





**FIGURE 16**  
**AUGER**

<b><u>ITEM</u></b>	<b><u>QTY</u></b>	<b><u>PART#</u></b>	<b><u>DESCRIPTION</u></b>
1	1	TS1	AUGER
2	2	TS125	AUGER PADDLE FRONT
3	37	TS126	AUGER PADDLE REAR
4	1	TS127	AUGER REAR ASSY.
5	1	TS128	AUGER INPUT ASSY.

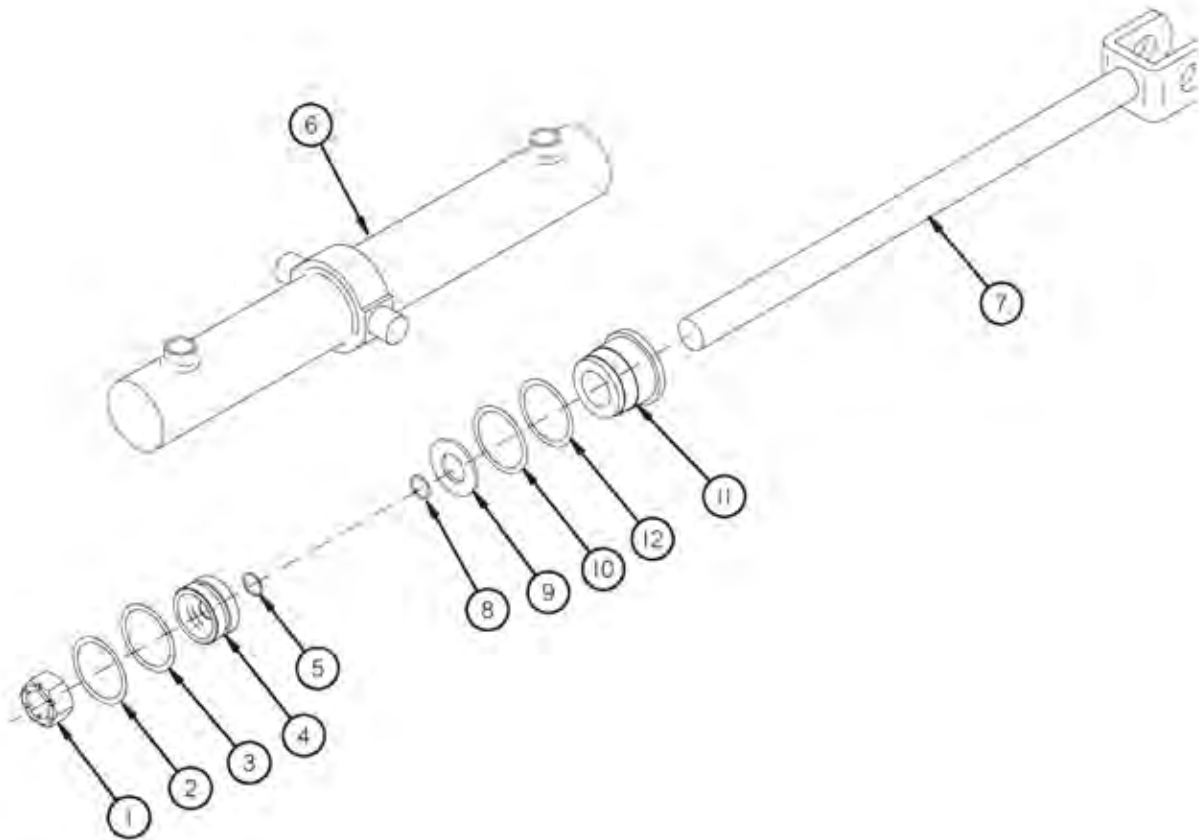


**FIGURE 17**  
**AUGER FRONT/REAR HYDRAULIC CYLINDER**

<u>ITEM</u>	<u>QTY</u>	<u>PART# 3" BORE</u>	<u>PART# 3-1/4" BORE</u>	<u>DESCRIPTION</u>
1	1	TS160	TS176	BASE
2	1	TS158	TS174	HEAD
3	1	TS159	TS175	PISTON NUT
4	1	TS156	TS172	ROD
5	1	TS157	TS173	TUBE
6	4	TS153	TS171	TIE ROD
7	1	TS145	TS166	PISTON NUT
8	1	TS152	"	PLUG
9	1	TS155	"	CLEVIS ASSEMBLY
10	1	TS163	TS177	SEAL KIT
11	8	TS144	TS165	TIE ROD NUT
12	1	TS104	_____	CYLINDER
*	1	_____	TS105	CYLINDER

**\*MEANS NOT SHOWN**

**FIGURE 18**  
**EXPELLER DOOR TRUNNION MOUNT**  
**HYDRAULIC CYLINDER**

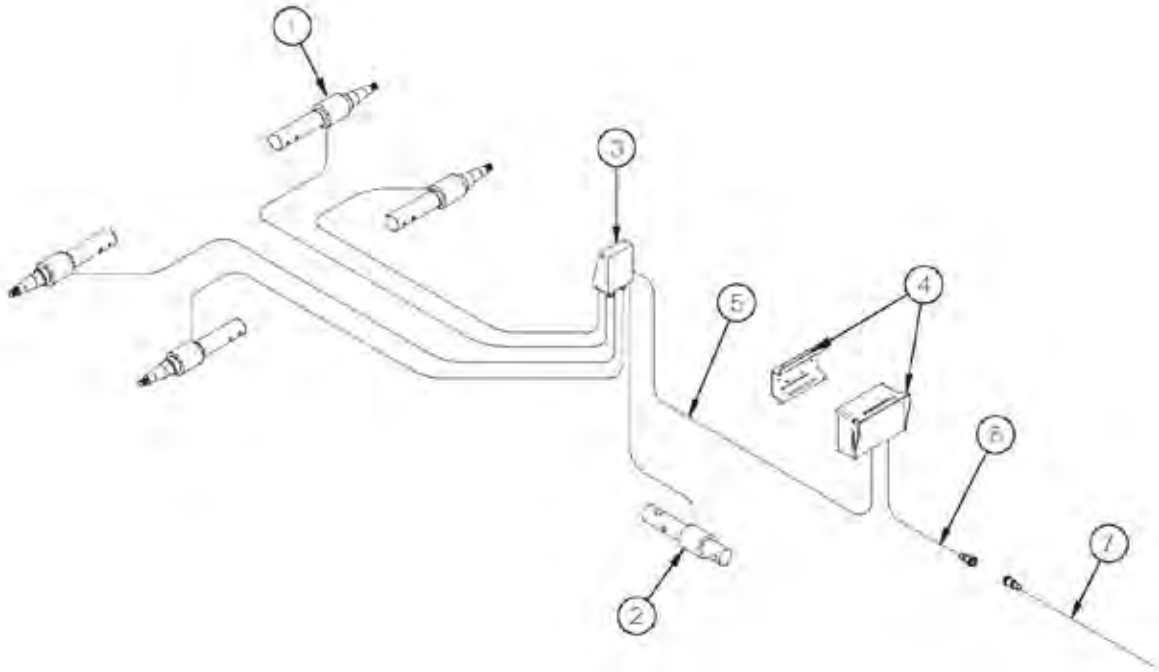


**FIGURE 18**  
**EXPELLER DOOR TRUNNION MOUNT**  
**HYDRAULIC CYLINDER**

<b><u>ITEM</u></b>	<b><u>QTY</u></b>	<b><u>PART#</u></b>	<b><u>DESCRIPTION</u></b>
1	1	YNSL24010	NUT HEX, SLOTTED, 3/4
2	1	TS344	WEAR RING
3	1	TS345	CAPPED T-SEAL
4	1	TS346	PISTON
5	1	TS347	O-RING
6	1	TS348	JACKET ASSEMBLY
7	1	TS349	PISTON ROD
8	1	TS350	O-RING
9	1	TS351	BACKUP WASHER
10	1	TS352	POLYPAK
11	1	TS353	GLAND NUT
12	1	TS354	METALLIC WIPER
*	1	TS355	SEAL KIT

**\*MEANS NOT SHOWN**

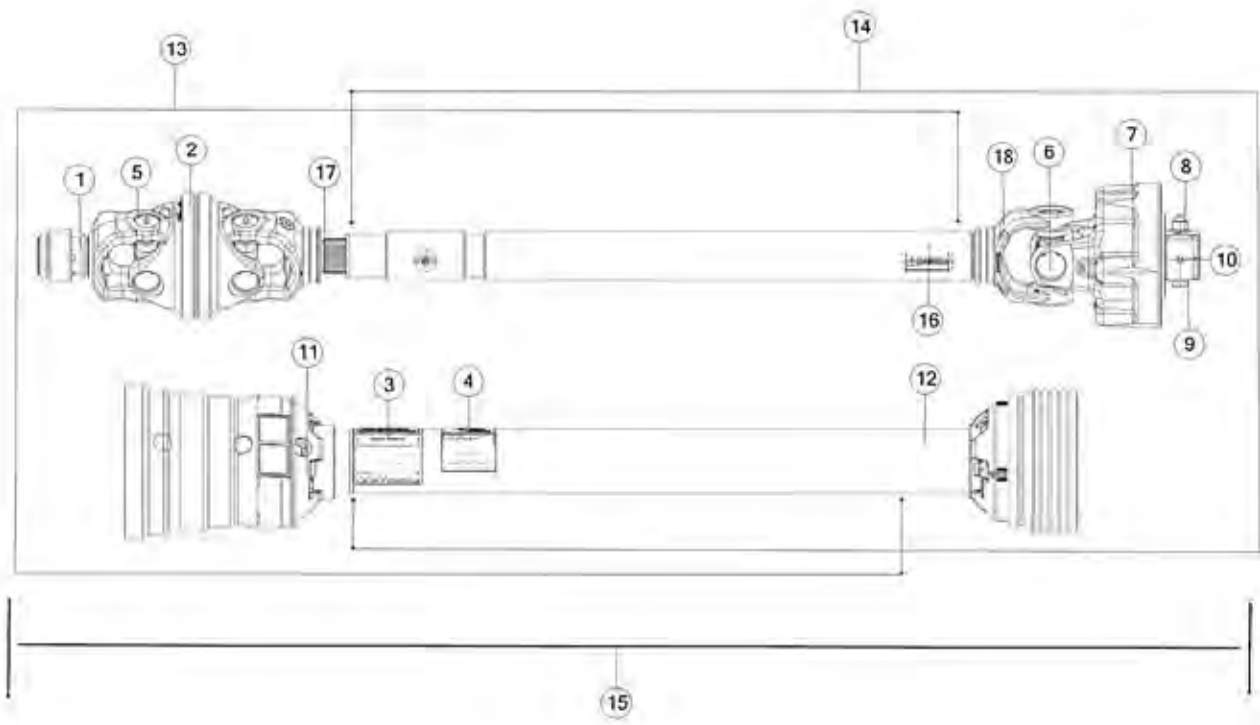
**FIGURE 19**  
**SCALE**



## **FIGURE 19** **SCALE**

<b><u>ITEM</u></b>	<b><u>QTY</u></b>	<b><u>PART#</u></b>	<b><u>DESCRIPTION</u></b>
1	4	TS333	SPINDLE LOAD CELL
2	1	GM403	HITCH LOAD CELL
3	1	TS83	JUNCTION BOX
4	1	GM408	BRKT IND MTG 840459
*	1	TS337	SCALE DISPLAY W/GPS (OPTIONAL)
5	1	TS338	JUNCTION BOX CORD
6	1	TS385	POWER CORD
7	1	16SV269	TRACTOR POWER CORD
8	1	GM408	SCALE HANGER BRACKET

**FIGURE 20**  
**PTO (540 RPM)**



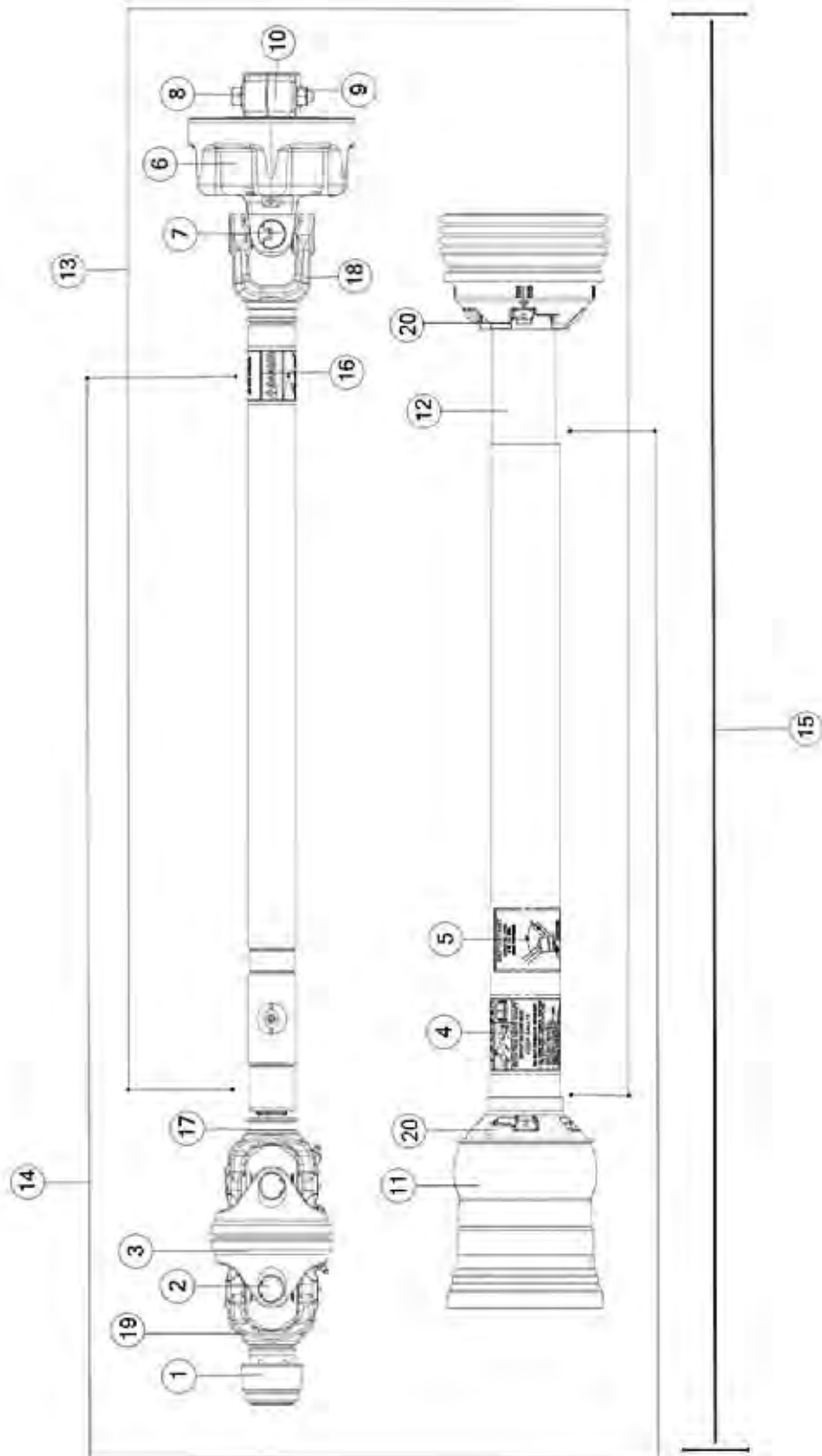


## **FIGURE 20** **PTO (540 RPM)**

<b><u>ITEM</u></b>	<b><u>QTY</u></b>	<b><u>PART#</u></b>	<b><u>DESCRIPTION</u></b>
1	1	56655	PTO, YOKE, TUBE & SLIP SLEEVE, 540 RPM
2	1	56509	CENTER HOUSING PTO PART
3	1	1494L	DECAL-DANGER ROTATING DRIVE
4	1	16SV286	SAFETY SIGN
5	1	56656	CROSS KIT
6	1	63405	CROSS KIT, 55E
7	1	70565	CLUTCH
8	1	YNFG16005	NUT HEX, FLANGED, 1/2
9	1	YBFB16040	BOLT FLANGE, 1/2 X 3.00, G8
10	1	YSKP12030	SCREW, SOCKET HEAD
11	1	57973	OUTER GUARD
12	1	70597	OUTER GUARD
13	1	57967	JOINT & SHAFT HALF ASM. W/ GUARD
14	1	70591	PTO, JOINT & TUBE HALF, GUARDED, 540 RPM
15	1	70647	PTO
16	1	16SV388	SAFETY SIGN
17	1	57971	YOKE & SHAFT
18	1	70598	PTO YOKE TUBE & SLIP SLEEVE
*	1	57972	GUARD REPAIR KIT
*	1	16SV274	SAFETY SLIDE LOCK REPAIR KIT
*	1	S402	ADMA SAFETY MANUAL

**\*MEANS NOT SHOWN**

**FIGURE 21**  
**OPTIONAL PTO (1000 RPM)**



**FIGURE 21**  
**OPTIONAL PTO (1000 RPM)**

<b><u>ITEM</u></b>	<b><u>QTY</u></b>	<b><u>PART#</u></b>	<b><u>DESCRIPTION</u></b>
1	1	16SV274	SAFETY SLIDE LOCK REPAIR KIT
2	1	63784	CROSS KIT, AB6/AW22/480 EBL
3	1	TS180	CENTER HOUSING
4	1	1494L	DECAL-DANGER ROTATING DRIVE
5	1	16SV286	SAFETY SIGN (C.V INSTRUCTIONAL DECAL)
6	1	70563	PTO CLUTCH
7	1	61370	CROSS KIT
8	1	YBFB16040	BOLT FLANGE, 1/2 X 3 G8
9	1	YNFG16005	NUT HEXFLANGED, 1/2
10	1	YSKP12030	SCREW SOCKET KNURLED, 3/8 X 3/8
11	1	TS182	OUTER GUARD
12	1	70585	INNER GUARD
13	1	70581	JOINT & TUBE HALF GUARDED, 1000 RPM
14	1	63790	JOINT & SHAFT HALF GUARDED
15	1	70329	PTO 1000 RPM
16	1	16SV388	SAFETY SIGN
17	1	70583	YOKE & SHAFT, 1000 RPM
18	1	70586	YOKE TUBE & SLIP SLEEVE, 1000 RPM
19	1	63389	YOKE, 4 80 WWCV, AUTO-LOC
20	1	16SV383	GUARD REPAIR KIT
*	1	S402	ADMA SAFETY MANUAL

**\*MEANS NOT SHOWN**



# CHANGE NOTES

1. Replace YBHH16155 with YBHH16160 ON FIGURE 10, ITEM 6.
2. Add Opional TSSA and TSDA axles
3. Figure 4 Hardware Change, Figure 9 Image and Hardware Change
4. Figure 9 Change image, Remove TS116 and replace with 89070, 89076 and GM17
5. Figure 10 Replace YBFB16550 with YBFB16500

**H&S MFG. CO.**

products approved

for the

**FEMA**

**SEAL OF QUALITY**

